

Office Copy

April 1, 2003

Apr 21/03 - 23 made

Date Purchased _____ Machine Serial No. _____
Size of Pump _____ Options _____

Aug 19 - 5"

Aug 26 - 4"

Nov 4 - 8"

Jan 13/04 - 9"

Jan 30/04 - 5"

PLEASE NOTE:

The key number system in this parts book is arranged as follows:

- ⊙ -- Key numbers with two circles denotes main assemblies
- -- Key numbers with one circle are individual parts.

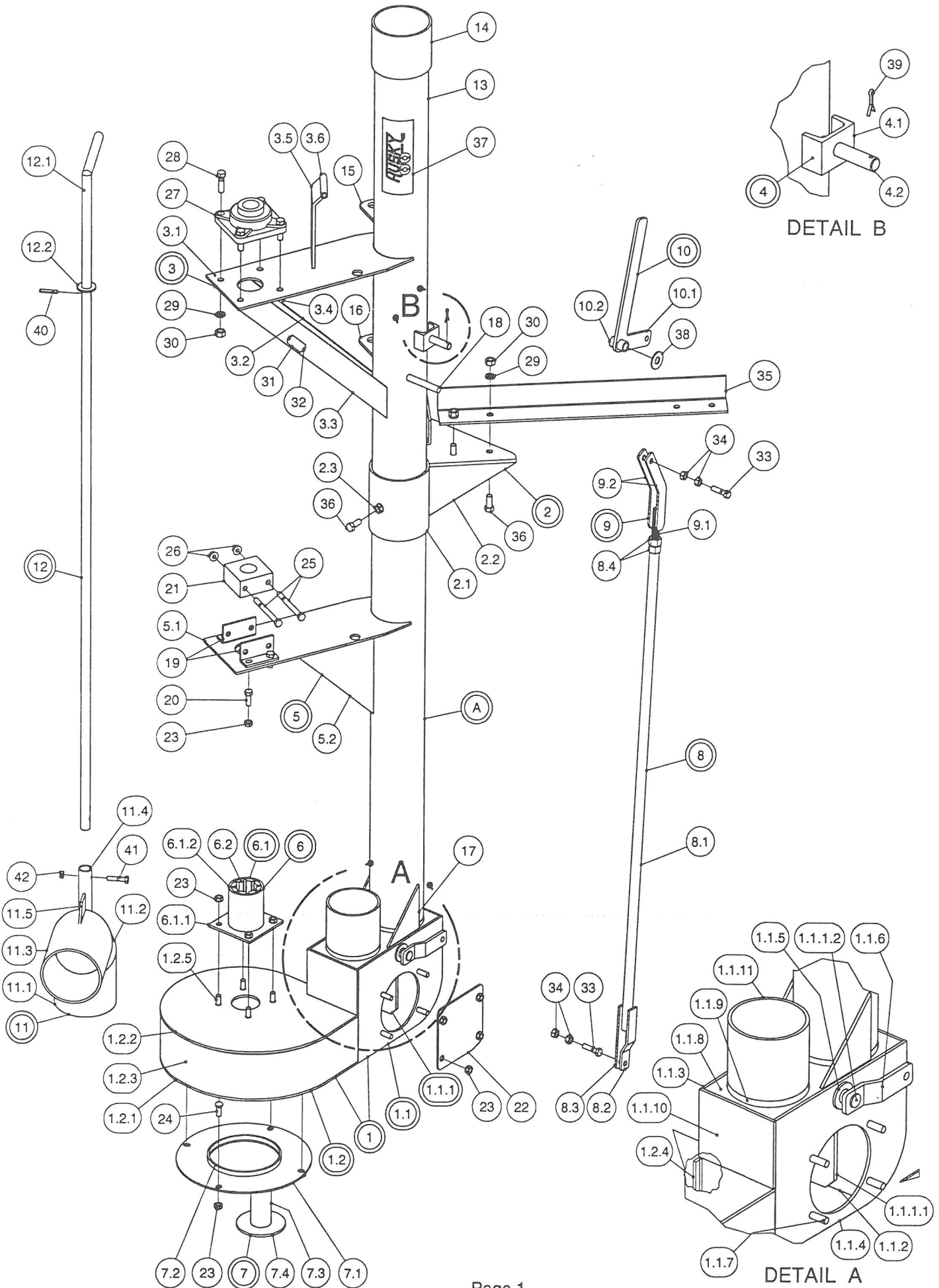
Please order parts by number

4" ELECTRIC
HUSKY LIQUID MANURE PUMP

OPERATING INSTRUCTIONS:

1. Pump must turn counter-clockwise when looking down from top.
2. Fasten pump solid so it will not move when operating.
3. Make sure all moving parts are shielded.
4. Keep children and livestock away from pump.
5. Have an Electrician check amp draw when operating to make sure the motor has enough electricity.
6. Check bottom bearing for wear occasionally.
7. Keep belts snug but not overly tight.
8. EXTREME DANGER - Never enter a dirty manure spreader or storage tank - one breath of hydrogen sulphide gas is enough to kill.

MAIN FRAME



MAIN FRAME

ITEM	PART NUMBER	DESCRIPTION	QTY
A	260-05-00-000	PUMP HOUSING & STANDPIPE ASSY - 4 FT	1
	261-06-00-000	PUMP HOUSING & STANDPIPE ASSY - 5 FT	1
	262-07-00-000	PUMP HOUSING & STANDPIPE ASSY - 6 FT	1
	263-08-00-000	PUMP HOUSING & STANDPIPE ASSY - 8 FT	1
	264-09-00-000	PUMP HOUSING & STANDPIPE ASSY - 10 FT	1
	265-10-00-000	PUMP HOUSING & STANDPIPE ASSY - 12 FT	1
1	260-02-00-000	CHANGE BOX & HOUSING ASSY	1
1.1	260-02-02-000	4" CHANGE BOX ASSY	1
1.1.1	260-02-07-000	FLAPPER ASSY	1
1.1.1.1	260-02-02-012	FLAPPER	1
1.1.1.2	260-02-02-015	FLAPPER SHAFT	1
1.1.2	260-02-02-009	CHANGE BOX BAND	1
1.1.3	260-02-02-008	SIDE PLATE	1
1.1.4	260-02-02-007	INSPECTION SIDE PLATE	1
1.1.5	R07827	3/4" FLAT WASHER	2
1.1.6	230-01-02-005	FLAPPER ARM	1
1.1.7	R08312	3/8 x 1 WELD STUD	4
1.1.8	260-02-02-010	TOP PLATE	1
1.1.9	260-02-02-014	FLAPPER SEAT	2
1.1.10	260-02-02-011	END PLATE	1
1.1.11	260-02-02-013	FLAPPER SEAT EXTENSION	1
1.2	260-02-01-000	FAN HOUSING ASSY	1
1.2.1	260-02-01-003	FAN HOUSING BOTTOM PLATE	1
1.2.2	260-02-01-004	FAN HOUSING TOP PLATE	1
1.2.3	260-02-01-005	HOUSING BAND	1
1.2.4	260-02-01-006	FILLER PLATE	1
1.2.5	R08244	3/8 x 3/4 FLAT HEAD SLOT S.S.	4
2	260-03-00-000	FLOOR BRACKET ASSY	1
2.1	260-03-00-016	SLIDE TUBE	1
2.2	260-03-00-034	FLOOR BRACKET BASE	1
2.3	R07879	7/16 FLANGE NUT	1
3	260-05-03-000	UPPER BRG PLATE ASSY	1
3.1	260-05-03-021	UPPER BRG PLATE	1
3.2	260-05-03-023	LH BRG PLATE BRACE	1
3.3	260-05-03-022	RH BRG PLATE BRACE	1
3.4	260-05-03-033	TENSION ROD BRKT	1
3.5	230-01-04-026	GUARD HINGE PLATE	1
3.6	230-01-04-027	GUARD SLEEVE	1
4	230-01-07-000	PIVOT PIN ASSY	1
4.1	230-01-07-031	PIVOT PIN BRKT	1
4.2	230-01-07-030	PIVOT PIN	1
5	262-07-04-000	INTERMEDIATE BRG HOLDER ASSY (USED ON 6 FT AND OVER MODELS ONLY)	1
5.1	262-07-04-026	INTERMEDIATE BRG PLATE	1
5.2	234-01-08-116	INTERMEDIATE BRG GUSSET	1
6	230-33-00-000	BEARING & HOLDER ASSY	1
6.1	230-33-09-000	BEARING HOLDER ASSY	1
6.1.1	230-33-09-128	BEARING HOLDER BACK PLATE	1
6.1.2	230-33-09-129	BRG HOLDER	1
6.2	R20223	URETHANE	1

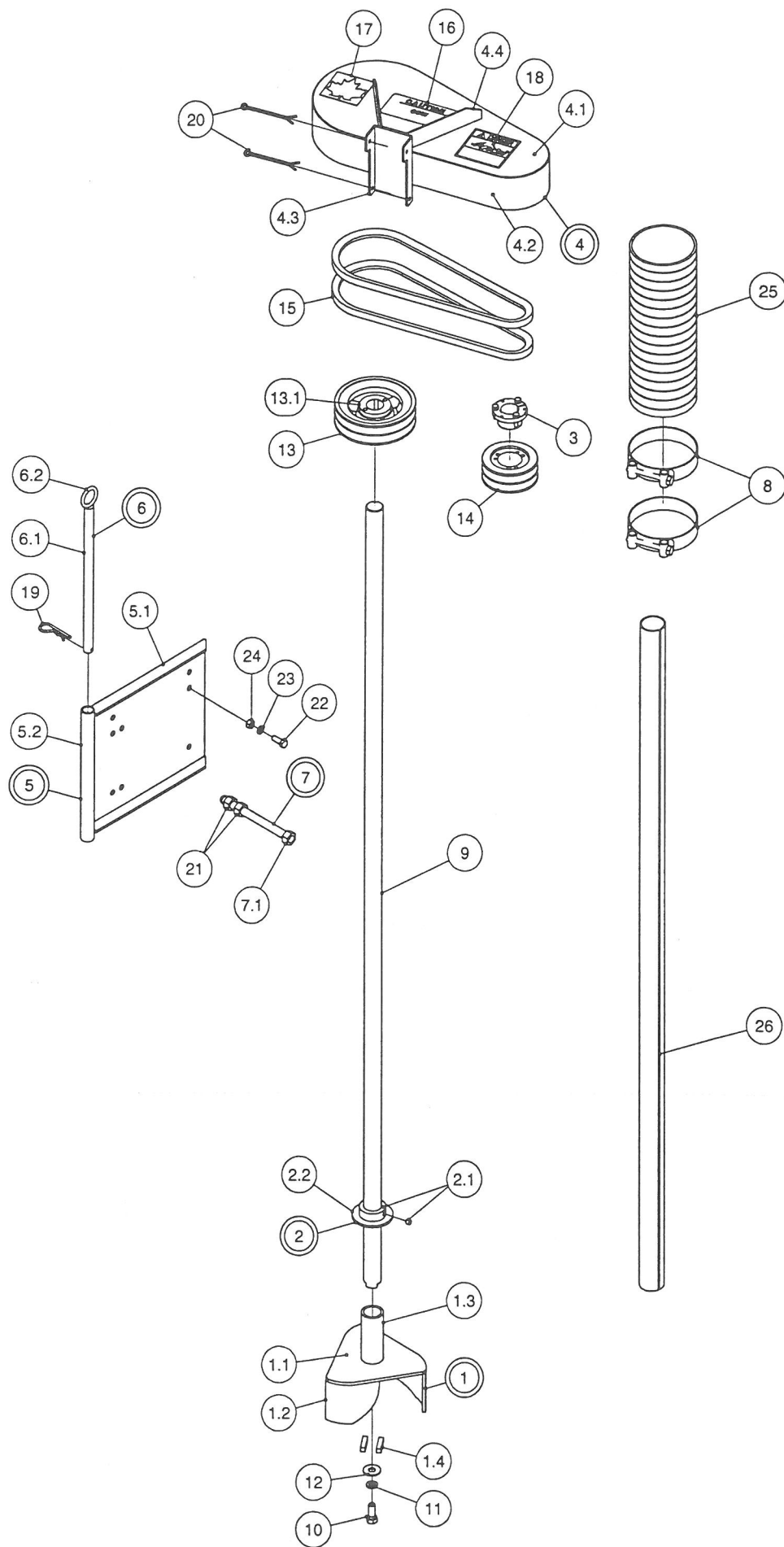
MAIN FRAME

7	230-21-00-000	COVER PLATE ASSY	1
7.1	230-21-00-104	HOUSING COVER PLATE	1
7.2	230-21-00-105	INLET RING	1
7.3	230-06-00-059	FOOT SPACER	1
7.4	230-06-00-060	FOOT	1
8	230-05-00-000	CONTROL ROD ASSY - 4 FT	1
	232-05-00-000	CONTROL ROD ASSY - 5 FT	1
	234-05-00-000	CONTROL ROD ASSY - 6 FT	1
	236-05-00-000	CONTROL ROD ASSY - 8 FT	1
	238-05-00-000	CONTROL ROD ASSY - 10 FT	1
	239-05-00-000	CONTROL ROD ASSY - 12 FT	1
8.1	230-05-00-050	CONTROL PIPE - 4 FT MODEL	1
	232-05-00-051	CONTROL PIPE - 5 FT MODEL	1
	234-05-00-052	CONTROL PIPE - 6 FT MODEL	1
	236-05-00-053	CONTROL PIPE - 8 FT MODEL	1
	238-05-00-054	CONTROL PIPE - 10 FT MODEL	1
	239-05-00-055	CONTROL PIPE - 12 FT MODEL	1
8.2	230-05-00-056	CONTROL ROD BRKT	1
8.3	230-05-00-057	CONTROL ROD BAR	1
8.4	R07786	5/8 HEX NUT	2
9	230-13-00-000	OVER CENTER ARM ASSY	1
9.1	230-13-00-076	ADJUSTING ROD	1
9.2	230-13-00-075	OVER CENTER ARM	2
10	230-04-00-000	AGITATOR HANDLE ASSY	1
10.1	230-04-01-131	HANDLE	1
10.2	230-04-00-047	HANDLE PIVOT	1
11	260-04-00-000	AGITATOR ELBOW ASSY	1
11.1	260-04-00-018	AGITATING ELBOW BASE	1
11.2	260-04-00-019	AGITATING ELBOW CENTER PIECE	1
11.3	260-04-00-020	AGITATING ELBOW TOP PIECE	1
11.4	230-01-03-020	TURN SOCKET	1
11.5	230-01-03-021	TURN SOCKET GUSSET	1
12	230-25-00-000	AGITATOR TURN LEVER ASSY - 4 FT	1
	232-26-00-000	AGITATOR TURN LEVER ASSY - 5 FT	1
	234-27-00-000	AGITATOR TURN LEVER ASSY - 6 FT	1
	236-28-00-000	AGITATOR TURN LEVER ASSY - 8 FT	1
	238-29-00-000	AGITATOR TURN LEVER ASSY - 10 FT	1
	239-30-00-000	AGITATOR TURN LEVER ASSY - 12 FT	1
12.1	230-25-00-119	AGITATOR TURN LEVER - 4 FT MODEL	1
	232-26-00-120	AGITATOR TURN LEVER - 5 FT MODEL	1
	234-27-00-121	AGITATOR TURN LEVER - 6 FT MODEL	1
	236-28-00-122	AGITATOR TURN LEVER - 8 FT MODEL	1
	238-29-00-123	AGITATOR TURN LEVER - 10 FT MODEL	1
	239-30-00-124	AGITATOR TURN LEVER - 12 FT MODEL	1
12.2	R07827	3/4" FLAT WASHER	1
13	260-05-00-025	STANDPIPE - 4 FT	1
	261-06-00-027	STANDPIPE - 5 FT	1
	262-07-00-028	STANDPIPE - 6 FT	1
	263-08-00-029	STANDPIPE - 8 FT	1
	264-09-00-029	STANDPIPE - 10 FT	1
	265-10-00-031	STANDPIPE - 12 FT	1

MAIN FRAME

14	260-05-00-024	ADAPTER TUBE	1
15	230-01-00-138	UPPER MOTOR MOUNT ASSY	1
16	230-01-00-139	LOWER MOTOR MOUNT ASSY	1
17	230-01-00-040	STANDPIPE GUSSET	2
18	260-05-00-035	STOP ROD	1
19	234-00-00-144	BRG HOLDER	2
20	R07619	3/8 x 1 HEX BOLT	4
21	R20229	1 3/8 WOOD BRG	1
22	230-00-00-084	INSPECTION PLATE	1
23	R07794	3/8 FLANGE NUT	16
24	R07721	3/8 x 1 CARRIAGE BOLT	4
25	R07625	3/8 x 4 HEX BOLT	2
26	R08247	3/8 NYLOCK NUT	2
27	R20185	1 3/8 FLANGE BRG	1
28	R07629	7/16 x 1 1/2 HEX BOLT	4
29	R07804	7/16 LOCK WASHER	8
30	R07784	7/16 HEX NUT	8
31	R09071	SERIAL NUMBER PLATE	1
32	R08152	6 x 1/4 PAN HD SOCKET SCREW	2
33	R07620	3/8 x 1 1/2 HEX BOLT	2
34	R07783	3/8 HEX NUT	4
35	230-00-00-077	FLOOR BRKT LEGS	2
36	R07628	7/16 x 1 HEX BOLT	5
37	R09671	"HUSKY" DECAL	1
38	R07852	9/16 FLAT WASHER	1
39	R08021	1/8 x 1 COTTER PIN	1
40	R07962	1/4 x 1 1/2 ROLL PIN	1
41	R07612	5/16 x 1 1/2 HEX BOLT	1
42	R07888	5/16 - 2 WAY LOCK NUT	1

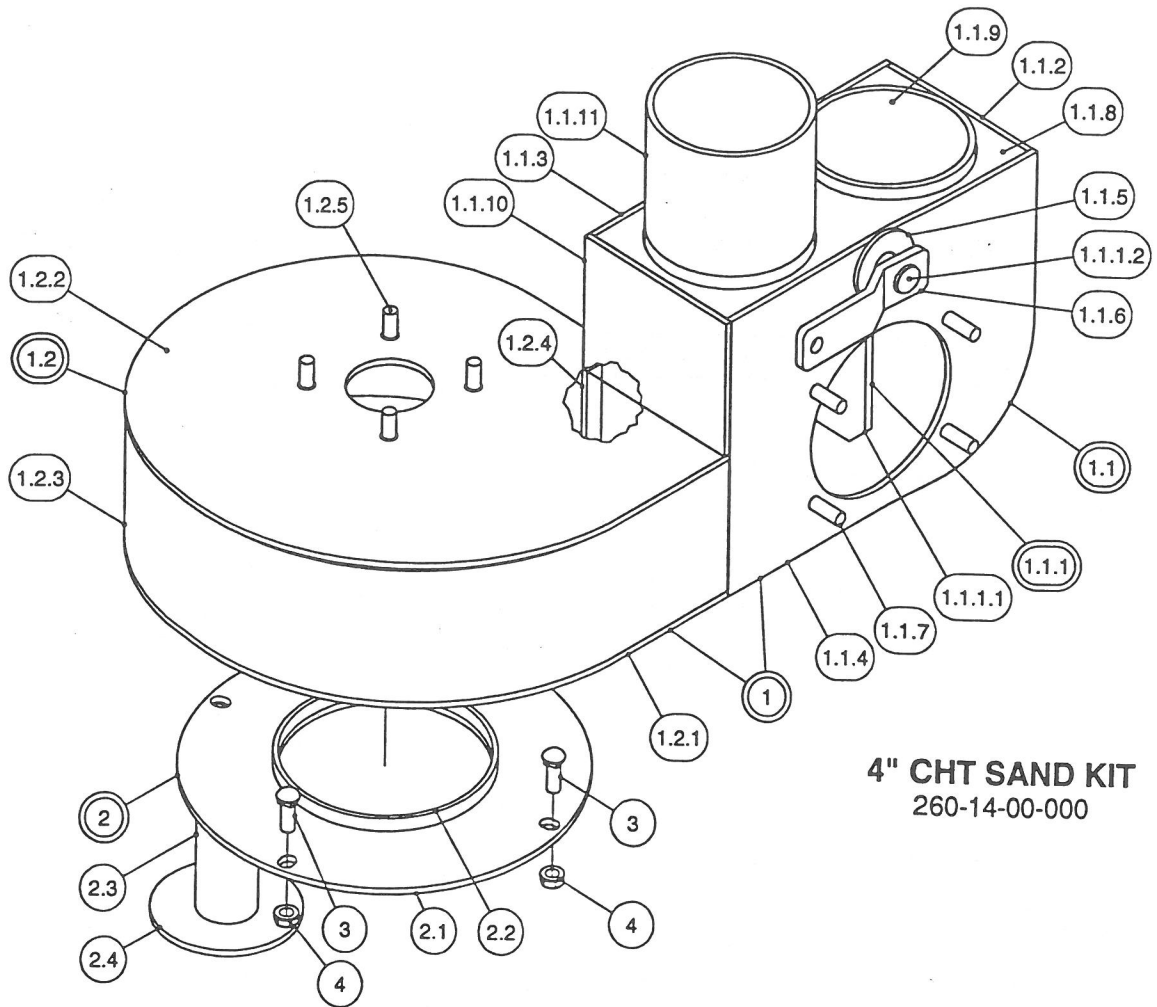
IMPELLER & SHAFT



IMPELLER & SHAFT

<u>ITEM</u>	<u>PART NUMBER</u>	<u>DESCRIPTION</u>	<u>QTY</u>
1	260-01-00-000	IMPELLER ASSY	1
1.1	230-31-00-127	IMPELLER BACK PLATE	1
1.2	260-01-00-001	4" IMPELLER BLADE	3
1.3	260-01-00-002	SHAFT SLEEVE	1
1.4	230-31-00-103	SHAFT SLEEVE PIN	2
2	230-23-00-000	SPLASH GUARD ASSY	1
2.1	R09554	1 3/8" LOCK COLLAR	1
2.2	R07848	1 3/8 FLAT WASHER	1
3	R21049	1 3/8 SHEAVE BUSHING	1
	R21048	1 1/8 SHEAVE BUSHING	1
4	230-10-00-000	BELT GUARD ASSY	1
4.1	230-10-00-066	GUARD TOP	1
4.2	230-10-00-068	GUARD BAND	1
4.3	230-10-00-141	GUARD SUPPORT CHANNEL	1
4.4	230-10-00-142	GUARD BRACE	1
5	230-07-00-000	MOTOR MOUNT ASSY	1
5.1	230-07-00-062	MOTOR MOUNT	1
5.2	230-07-00-061	MOTOR MOUNT SLEEVE	1
6	230-08-00-000	MOTOR MOUNT PIN ASSY	1
6.1	230-08-00-064	MOTOR MOUNT PIN	1
6.2	R07925	1/4 x 1 1/2 PLATED RING	1
7	230-09-00-000	TENSION BOLT ASSY	1
7.1	R07786	5/8 HEX NUT	1
7.2	230-09-00-065	TENSION ROD	1
8	R02483	5" BAUER CLAMP	2
9	230-00-00-109	DRIVE SHAFT - 4 FT MODEL	1
	232-00-00-110	DRIVE SHAFT - 5 FT MODEL	1
	234-00-00-111	DRIVE SHAFT - 6 FT MODEL	1
	236-00-00-112	DRIVE SHAFT - 8 FT MODEL	1
	238-00-00-113	DRIVE SHAFT - 10 FT MODEL	1
	239-00-00-114	DRIVE SHAFT - 12 FT MODEL	1
10	R08217	1/2 x 1 1/4 SS HEX BOLT	1
11	R07805	1/2 LOCK WASHER	1
12	R07825	1/2 FLAT WASHER	1
13	R21062	2 HB x 6.4 SHEEVE	1
13.1	R21052	PULLEY BUSHING - 1 3/8	1
14	R21063	2HB - 4 x 1 3/8 BORE PULLEY	1
15	R20932	38B - V BELTS	2
16	R9692	"CAUTION" - "ROTATING CCW" DECAL	1
17	R09508	"MADE IN CANADA" DECAL - LARGE	1
18	R21521	"ROTATING DRIVE LINE" DECAL	1
19	R07948	5/32 HAIR PIN	1
20	R08017	1/4 x 4 COTTER PIN	2
21	R07786	5/8 HEX NUT	2
22	R07619	3/8 x 1 HEX BOLT	1
23	R07803	3/8 LOCK WASHER	1
24	R07783	3/8 HEX NUT	1
25	206-00-00-097	5" FLEX HOSE	1
26	230-00-00-132	SHAFT GUARD - 4 FT	1
	232-00-00-133	SHAFT GUARD - 5 FT	1
	234-00-00-134	SHAFT GUARD - 6 FT	1
	236-00-00-135	SHAFT GUARD - 8 FT	1
	238-00-00-136	SHAFT GUARD - 10 FT	1
	239-00-00-137	SHAFT GUARD - 12 FT	1

CHT SAND KIT



4" CHT SAND KIT
260-14-00-000

PARTS LIST			
ITEM	PART NUMBER	DESCRIPTION	QTY
1	260-14-00-000	4" CHT HOUSING & CHANGE BOX ASSY	
1.1	260-14-02-000	4" CHT CHANGE BOX ASSY	1
1.1.1	260-14-03-000	CHT FLAPPER ASSY	1
1.1.1.1	260-14-03-046	CHT FLAPPER	1
1.1.1.2	260-02-02-015	FLAPPER SHAFT	1
1.1.2	260-14-02-045	CHT CHANGE BOX BAND	1
1.1.3	260-02-02-008	SIDE PLATE	1
1.1.4	260-02-02-007	INSPECTION SIDE PLATE	1
1.1.5	R07827	3/4" FLAT WASHER	1
1.1.6	230-01-02-005	FLAPPER ARM	2
1.1.7	R08312	3/8 x 1 WELD STUD	1
1.1.8	260-02-02-010	TOP PLATE	4
1.1.9	260-02-02-014	FLAPPER SEAT	1
1.1.10	260-02-02-011	END PLATE	2
1.1.11	260-02-02-013	FLAPPER SEAT EXTENSION	1
1.2	260-14-04-000	CHT FAN HOUSING ASSY	1
1.2.1	260-14-01-042	CHT FAN HOUSING BOTTOM PLATE	1
1.2.2	260-14-01-041	CHT FAN HOUSING TOP PLATE	1
1.2.3	260-14-01-043	CHT HOUSING BAND	1
1.2.4	260-14-01-044	CHT FILLER PLATE	1
1.2.5	R08244	3/8 x 3/4 FLAT HEAD SLOT S.S.	1
2	230-35-03-000	CHT COVER PLATE ASSY	4
2.1	230-35-03-151	CHT COVER PLATE	1
2.2	230-35-03-152	CHT INLET RING	1
2.3	230-06-00-059	FOOT SPACER	1
2.4	230-06-00-060	FOOT	1
3	R07721	3/8 x 1 CARRIAGE BOLT	1
4	R07794	3/8 FLANGE NUT	4

GUARANTEE

All Husky Farm Equipment manufactured by Husky Farm Equipment Limited is guaranteed. Guarantee covers all the replacement cost or repair of all parts said to be defective from manufacture. Guarantee also covers labour installing said parts, if installed at Husky's Manufacturing plant. Time and use is the essence of the guarantee. If equipment is used on a private property for an individual's use, guarantee will be in effect for twelve months from date of invoice. If equipment is used for commercial use to do custom work for money then guarantee will be in effect for three months only from date of invoice.

EXEMPTIONS FROM GUARANTEE

Cost of transportation of equipment to or from Husky Farm Equipment Limited either by customer or by Husky's service staff or cost of mail or public transportation is not covered. Tires and electric or hydraulic motors are covered by manufacturer's warranty and although Husky may assist to get warranty, Husky will not be responsible other than that allowed by manufacture's warranty. Items subject to normal wear from use not covered by guarantee if faulty part is simply worn.

