

Office Copy

April 27, 2004

Apr 28 - 26 made
June 8 - 15 "
Oct 4 - 6 "

Date Purchased _____ Machine Serial No. _____
Size of Pump _____ Options _____

PLEASE NOTE:

The key number system in this parts book is arranged as follows:

- -- Key numbers with one circle are individual parts.
- ⊙ -- Key numbers with two circles denotes main assemblies.

Please order parts by number

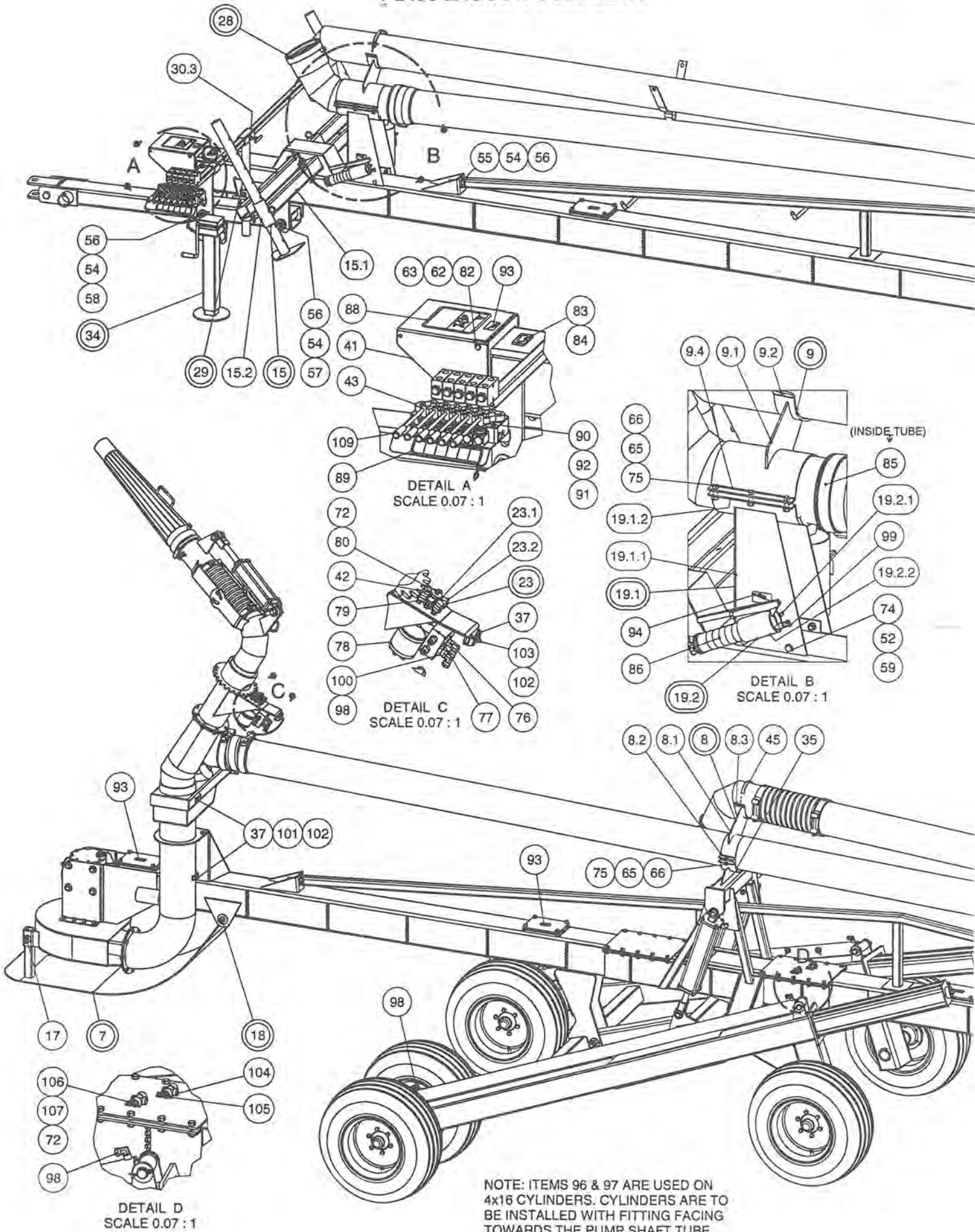
PL490 - LAGOON

HUSKY LIQUID MANURE PUMP

OPERATING INSTRUCTIONS:

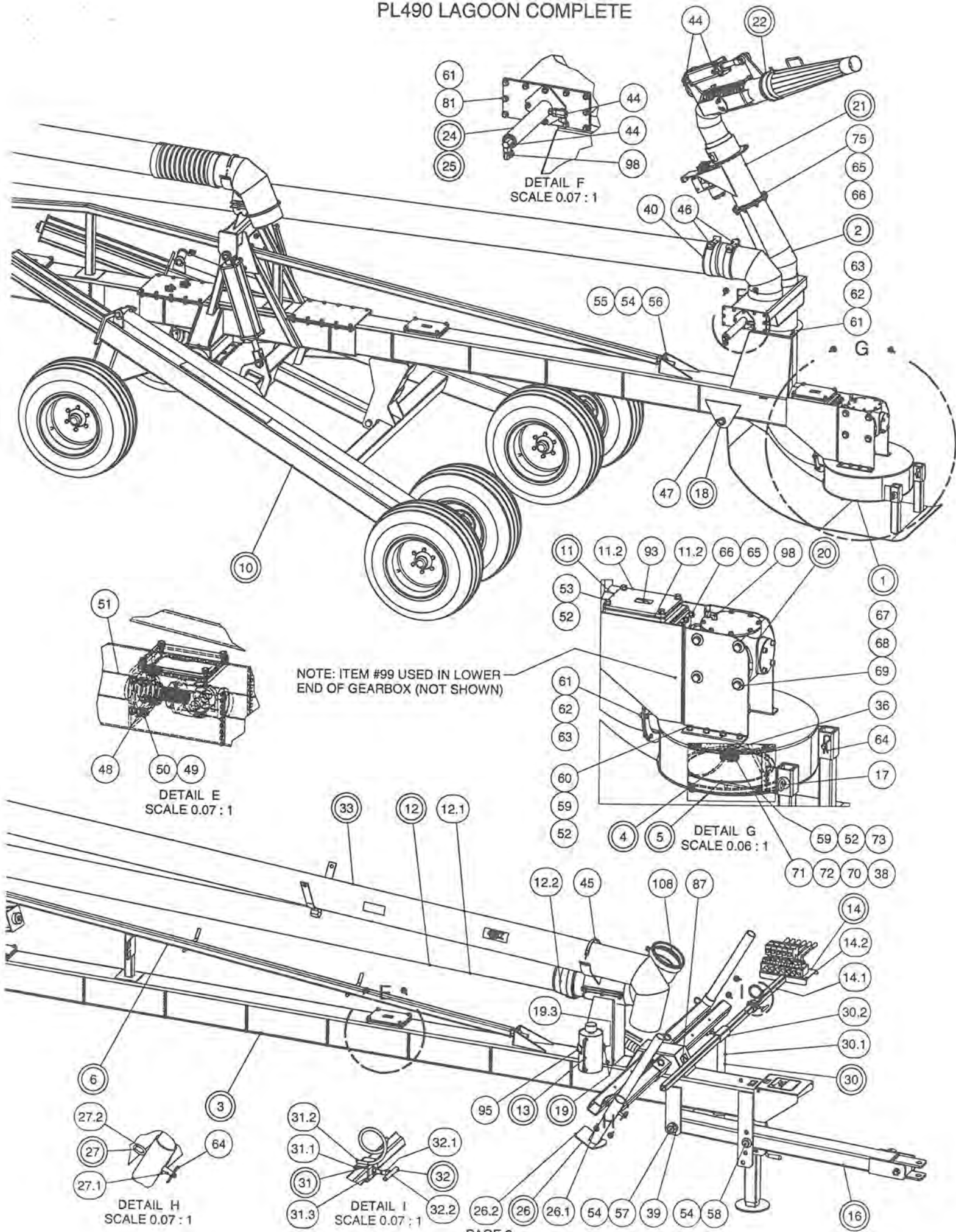
1. Lagoon pump is designed to run 1000 RPM and will consume up to 150 HP.
2. Always check PTO that both knuckles have equal amount of bend when working - if not, adjust ratchet jack accordingly.
3. Don't try and extend wheels if pump is under a heavy crust as it may collapse the undercarriage.
4. For open centre hydraulic tractors, use short plug on right hand end of hydraulic valve. For closed centre hydraulics use long plug with O Ring. (Oil must flow in left hand end of valve).
5. Before operating extend stabilizer legs to support pump while agitating from left to right. If not supported, pump could roll over.
6. Make sure bracket locks are in place on discharge pipe so that the discharge won't blow off pump while operating.
7. Make sure heavy weight is tied to discharge pipe so pipe will not lift when you start pump.
8. Wash pump off throughly after each use. This will extend the life of the pump.
9. Husky has installed high quality hanger bearings on main shaft inside square tube. Please note give bearings 2 shots of grease every 40 to 50 hrs. of operations.

PL490 LAGOON COMPLETE



NOTE: ITEMS 96 & 97 ARE USED ON 4x16 CYLINDERS. CYLINDERS ARE TO BE INSTALLED WITH FITTING FACING TOWARDS THE PUMP SHAFT TUBE

PL490 LAGOON COMPLETE



NOTE: ITEM #99 USED IN LOWER END OF GEARBOX (NOT SHOWN)

DETAIL E
SCALE 0.07 : 1

DETAIL F
SCALE 0.07 : 1

DETAIL G
SCALE 0.06 : 1

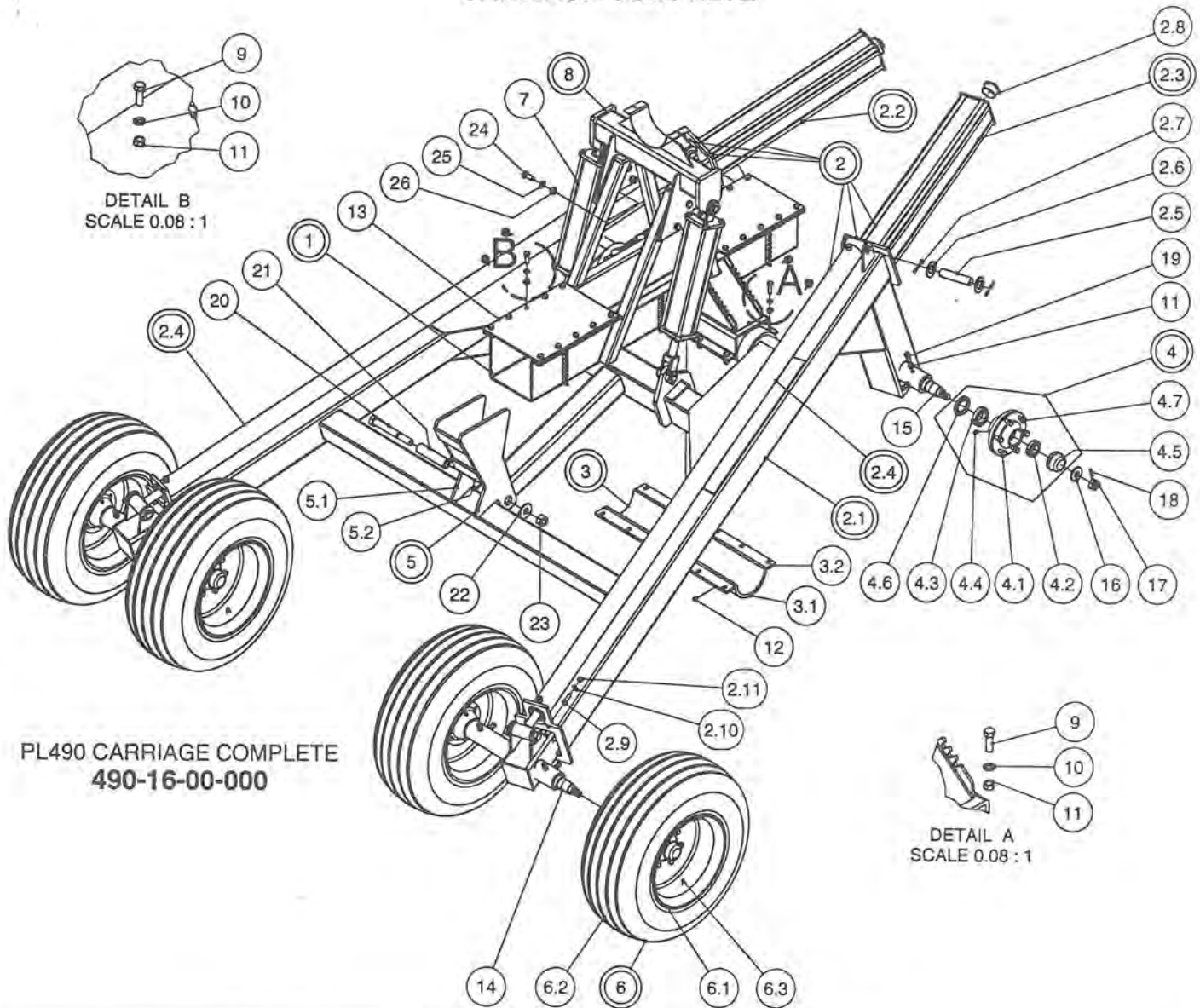
DETAIL H
SCALE 0.07 : 1

DETAIL I
SCALE 0.07 : 1

PL490 LAGOON COMPLETE

PARTS LIST				PARTS LIST			
ITEM	PART NUMBER	DESCRIPTION	QTY	ITEM	PART NUMBER	DESCRIPTION	QTY
1	490-01-00-000	HOUSING ASSY	1	38	490-00-00-187	IMPELLER BOLT LOCK PLATE	1
2	490-02-00-000	VERTICAL DISCHARGE PIPE ASSY	1	39	490-00-00-026	PIVOT PIN	1
3	490-03-00-000	SHAFT TUBE ASSY	1	40	290-00-00-120	8" CONNECTOR HOSE	1
4	490-05-00-000	CHT IMPELLER ASSY	1	41	296-00-00-033	PTO GUARD	1
5	490-06-00-000	CHT COVER PLATE ASSY	1	42	290-00-00-098	SLEEVE CAP	1
6	490-08-00-000	REINFORCING BAR ASSY	1	43	R22254	6 BANK MONOBLOCK VALVE	1
7	490-09-00-000	SLIDE ASSY	1	44	R21366	3/8" x 90 DEG. NPT STREET ELBOW	4
8	490-10-00-000	LOWER DISCHARGE PIPE HOLDER ASSY	1	45	R09531	9" TARP STRAP	2
8.1	490-10-00-044	LOWER DISCHARGE ATTACHMENT PLATE	1	46	R02484	8" SUCTION HOSE CLAMP	2
8.2	290-23-00-093	DISCHARGE SUPPORT	1	47	R08040	2 - 18 LYNCH PIN	1
8.3	270-01-07-015	CENTER DISCHARGE PIPE HOLDER	1	48	R20180	45mm - 4 BOLT FLANGE BEARING	4
9	490-11-00-000	UPPER DISCHARGE PIPE HOLDER ASSY	1	49	R07806	5/8 LOCK WASHER	16
9.1	490-11-00-046	UPPER DISCHARGE ATTACHMENT PLATE	1	50	R07786	5/8 HEX NUT	16
9.2	270-01-07-015	CENTER DISCHARGE PIPE HOLDER	1	51	R22451	#8 UNSHIELDED DRIVELINE - 1 3/4-27	4
9.4	242-00-00-221	CONE CLAMP ON BRKT	1	52	R07805	1/2 LOCK WASHER	37
10	490-16-00-000	CARRIAGE KIT COMPLETE	1	53	R07674	1/2 x 1 1/4 HEX BOLT	16
11	490-18-00-000	TUBE COVER PLATE ASSY	4	54	R07828	1" FLAT WASHER	8
11.1	490-18-00-035	RUBBER COVER	1	55	R07788	1" HEX NUT	2
11.2	490-18-00-036	COVER PLATE	1	56	R07882	1" - 2 WAY LOCK NUT	4
12	490-19-00-000	ALUMINUM DISCHARGE PIPE ASSY	1	57	R08374	1" x 12" UNC HEX BOLT	1
12.1	490-19-00-098	ALUMINUM DISCHARGE PIPE	1	58	R07692	1" x 11" UNC HEX BOLT	1
12.2	R02361	8" ALUMINUM BELL END	1	59	R07785	1/2 HEX NUT	20
13	490-21-00-000	OIL CANISTER KIT	1	60	R07742	1/2" x 1 1/4" CARRIAGE BOLT	8
14	490-25-00-000	CONTROL BANK HOLDER ASSY	1	61	R07619	3/8 x 1 HEX BOLT	22
14.1	296-24-00-087	CONTROL HOLDER ARM	1	62	R07803	3/8 LOCK WASHER	12
14.2	490-25-00-123	CONTROL BANK MOUNT PLATE	1	63	R07783	3/8 HEX NUT	12
15	490-27-00-000	STABILIZER ARM ASSY	2	64	R07948	5/32 HAIR PIN	6
15.1	490-27-00-137	STABILIZER ARM	1	65	R07804	7/16 LOCK WASHER	28
15.2	270-01-02-005	STAND SLEEVE	1	66	R07784	7/16 HEX NUT	28
16	490-29-00-000	TONGUE AND HITCH KIT	1	67	R08360	M16 LOCK WASHER	8
17	490-45-00-000	SMALL PIN ASSY-SLIDE	2	68	R08349	M16 - 2.00 x 30 METRIC HEX BOLT	8
18	490-46-00-000	LONG PIN ASSY	1	69	R07826	5/8 FLAT WASHER	8
19	490-47-00-000	UPPER DISCH. PIPE HOLDER ASSY-8"	1	70	R08357	M16 x 50 METRIC HEX BOLT	1
19.1	290-80-00-000	UPPER DISCH. PIPE HOLDER ASSY	1	71	R07677	1/4 x 3/4 HEX BOLT	2
19.1.1	290-10-03-104	TOP DISCHARGE SUPPORT	1	72	R07801	1/4 LOCK WASHER	7
19.1.2	242-00-00-221	CONE CLAMP ON BRKT	1	73	R07741	1/2" x 1" CARRIAGE BOLT	6
19.2	291-07-08-000	GREASE GUN MOUNT PLATE	1	74	R07637	1/2 x 1 HEX BOLT	4
19.2.1	291-07-08-310	GREASE GUN HOLDER STANDOFF	1	75	R07629	7/16 x 1 1/2 HEX BOLT	16
19.2.2	291-07-08-309	GREASE GUN HOLDER	1	76	R22256	OVER CENTER VALVE - M&S MOTOR	1
19.3	490-21-00-106	ATTACHMENT BRKT	1	77	R08334	5/16-18 x 2 SOCKET HD CAP SCREW	4
20	490-49-00-000	490 LAGOON GEARBOX COMPLETE	1	78	R22255	M&S HYDRAULIC MOTOR	1
21	296-06-06-000	VALVE TO ROTATOR PIPE ASSY	1	79	R07670	3/8 x 7/8 HEX BOLT	4
22	291-16-00-000	AGITATOR KIT COMPLETE w/ CONE	1	80	R07601	1/4 x 1 HEX BOLT	1
23	290-25-00-000	6 TOOTH SPROCKET ASSY	1	81	R07879	7/16 FLANGE NUT	11
23.1	290-25-00-097	SPROCKET SLEEVE	1	82	R07675	3/8 x 1 1/4" HEX BOLT	2
23.2	290-25-00-096	6 TOOTH SPROCKET	3	83	R09071	SERIAL NUMBER PLATE	1
24	290-05-06-000	HYDRAULIC CYLINDER ASSY	1	84	R08152	6 x 1/4 PAN HD SOCKET SCREW	2
25	290-05-04-000	VALVE GATE ASSY	1	85	R02497	8" RAINWAY GASKET	1
26	290-16-00-000	STABILIZER LEG ASSY	2	86	R10351	GREASE GUN	1
26.1	290-16-00-087	STABILIZER LEG	1	87	R09508	"MADE IN CANADA" DECAL - LARGE	1
26.2	290-16-00-150	FOOT FOR STABILIZER LEG	1	88	R09785	"DANGER ROTATING DRIVELINE" DECAL	1
27	270-05-00-000	STAND PIN ASSY	4	89	R10332	PL490 CONTROL VALVE STICKER	1
27.1	270-05-00-043	STAND PIN	1	90	R07614	5/16" x 2 1/2 HEX BOLT	3
27.2	R07925	1/4 x 1 1/2 PLATED RING	1	91	R07782	5/16 HEX NUT	3
28	290-53-00-000	DISCHARGE TOP ELBOW ASSY	1	92	R07802	5/16 LOCK WASHER	3
29	296-21-00-000	PIVOT ASSY	1	93	R09582	GREASE SYMBOL DECAL	6
30	296-23-00-000	CONTROL BANK HOLDER ADJ. ASSY	1	94	R09661	GREASE DAILY 10 PUMPS - DECAL	1
30.1	296-23-00-085	ADJUSTABLE VERTICAL BAR	1	95	R10333	OIL LEVEL DECAL	1
30.2	296-23-00-086	ADJUSTMENT SLEEVE	1	96	R02043	BUSHING 1/2 x 3/8	4
30.3	R07795	1/2" UNC FLANGE NUT	1	97	R21367	1/2 X 90 HYD ELBOW	4
31	296-25-00-000	ADJUSTABLE HYD HOSE HOLDER ASSY	1	98	R21328	3/8 NPT x 90 DEG SW. ADAPTER	8
31.1	296-25-00-089	HOSE HOLDER SLEEVE	1	99	R21254	1/8M X 1/4F SWIVEL ADAPTOR	2
31.2	296-25-00-090	HYD HOSE HOLDER	1	100	R21278	7/8-14 SAE M x 3/8 NPT F ADAPTER	2
31.3	R07795	1/2" UNC FLANGE NUT	1	101	R08312	3/8 x 1 WELD STUD	2
32	296-22-00-000	TEE HANDLE ASSY	3	102	R07794	3/8 FLANGE NUT	3
32.1	R07639	1/2 x 2 HEX BOLT	1	103	R07620	3/8 x 1 1/2 HEX BOLT	1
32.2	296-22-00-084	TEE HANDLE	1	104	R21395	3/8 NPT S.W. FEMALE TEE	2
33	244-11-00-000	20 FT DISCHARGE PIPE KIT	1	105	R09778	3/4 DIAMETER STRAP	4
34	357-14-00-000	8000 LB JACK KIT	1	106	R08301	1/4 x 20 UNC x 1/2" WELD STUD	4
35	290-00-00-095	PIPE CUSHION	1	107	R07781	1/4 HEX NUT	4
36	490-00-00-188	IMPELLER KEY	1	108	R02360	8" SQ RAINWAY/HUSKY GASKET	1
37	290-00-00-167	HYDRAULIC HOSE CLIP	3	109	R22251	VALVE HANDLE ASSY	6

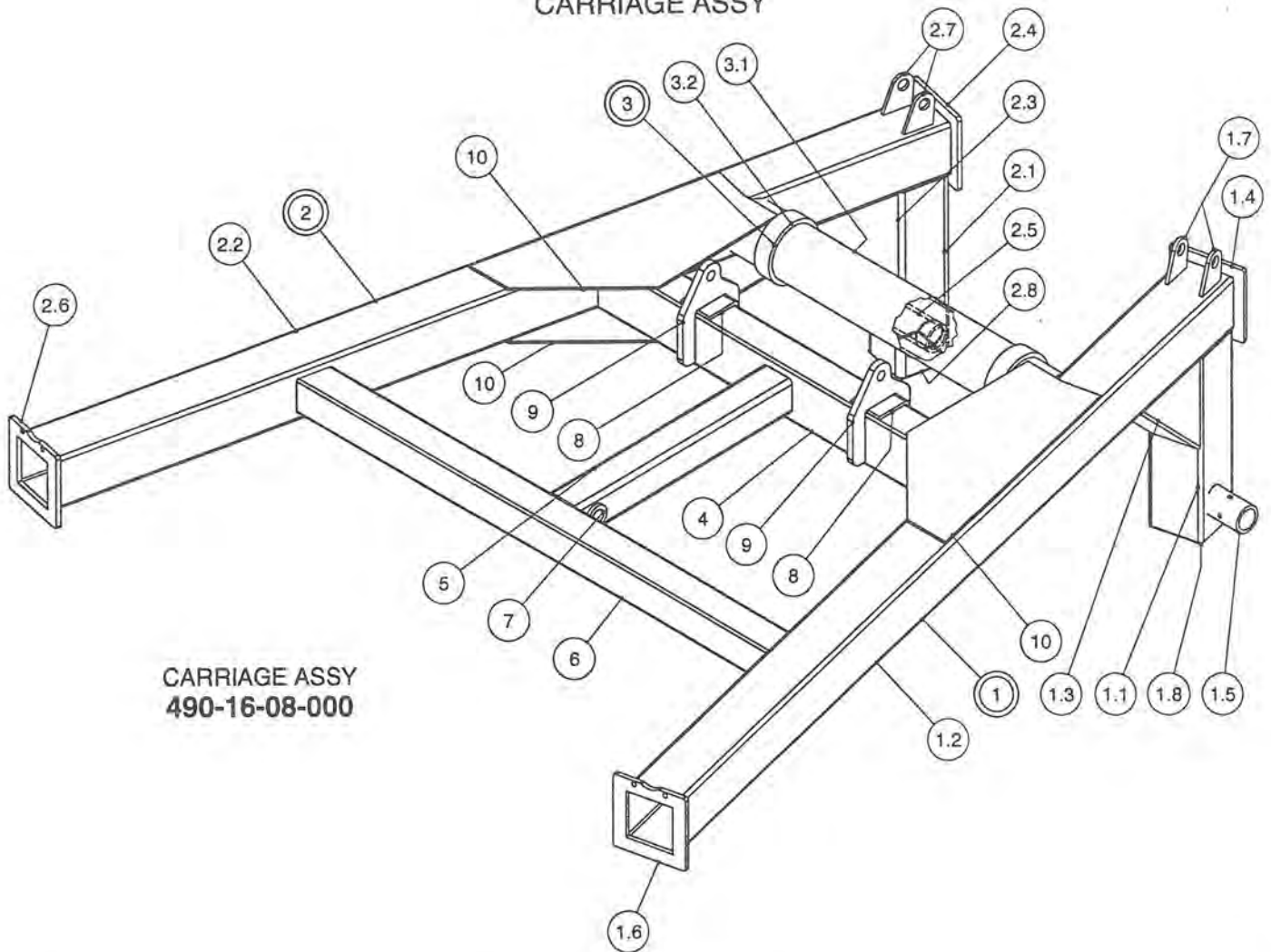
CARRIAGE COMPLETE



**PL490 CARRIAGE COMPLETE
490-16-00-000**

PARTS LIST				PARTS LIST			
ITEM	PART NUMBER	DESCRIPTION	QTY	ITEM	PART NUMBER	DESCRIPTION	QTY
1	490-16-04-000	SADDLE & CYLINDER BRKT ASSY	1	5.2	490-28-00-141	STOP PLATE	2
2	490-16-01-000	CARRIAGE CYLINDER & LEGS ASSY	1	6	290-31-00-000	11L x 15 TIRE AND WHEEL ASSY	6
2.1	490-16-08-000	CARRIAGE ASSY	1	6.1	R20045	15 x 8 x 6 BOLT WHEEL	1
2.2	490-16-05-000	LH CARRIAGE INNER LEG ASSY	1	6.2	R20043	11L x 15 RIB IMP 6 PL TIRE	1
2.3	490-16-02-000	RH CARRIAGE INNER LEG ASSY	1	6.3	R20020	VALVE STEM	1
2.4	490-23-00-000	8FT HYDRAULIC CYLINDER KIT	2	7	R22271	4"x 16" HYDRAULIC CYLINDER	2
2.5	490-16-01-066	CYLINDER PIN	4	8	490-16-11-000	TIE BAR AND TUBE HOLDER ASSY	1
2.6	R07830	1 1/4" FLAT WASHER	8	9	R07638	1/2 x 1 1/2 HEX BOLT	32
2.7	R08016	1/4 x 2 COTTER PIN	8	10	R07805	1/2 LOCK WASHER	32
2.8	R02285	2" ABS PLUG	2	11	R07785	1/2 HEX NUT	44
2.9	R07638	1/2 x 1 1/2 HEX BOLT	4	12	R08183	1/4" - 28 STRAIGHT GREASE FITTING	3
2.10	R07805	1/2 LOCK WASHER	4	13	490-16-00-099	AXLE HOLD DOWN PLATE	2
2.11	R07785	1/2 HEX NUT	4	14	490-16-00-082	LOWER SPINDLE	4
3	490-04-00-000	LOWER CARRIAGE MOUNT ASSY	1	15	490-16-00-083	UPPER SINGLE SPINDLE	2
3.1	490-04-00-138	LOWER HALF TUBE	1	16	R20118	SPINDLE WASHER	6
3.2	490-04-00-034	LOWER CARRIAGE STRAP	2	17	R20117	SPINDLE NUT	6
4	290-59-00-000	5000LB - 6 BOLT HUB ASSY	6	18	R08013	3/16 x 2 COTTER PIN	6
4.1	R22055	5000LB HUB w/ CUPS	1	19	R07923	1/2 x 1 1/2" SQ HD SET SCREW	12
4.2	R22061	OUTER CONE LM48548	1	20	R07669	1 x 8" HEX BOLT	1
4.3	R22059	INNER CONE LM603049	1	21	490-16-00-143	CARRIAGE LOCK PIVOT SLEEVE	1
4.4	R08186	1/8" NPT GREASE FTG	1	22	R07828	1" FLAT WASHER	1
4.5	R22062	DUST CAP	1	23	R07882	1" - 2 WAY LOCK NUT	1
4.6	R22063	SEAL CR2004	1	24	R07646	5/8-11 UNC x 1.5 HEX BOLT	6
4.7	R20110	9/16 UNF WHEEL BOLT	6	25	R07806	5/8 LOCK WASHER	6
5	490-28-00-000	CARRIAGE LOCK ASSY	1	26	R07786	5/8 HEX NUT	6
5.1	490-28-00-140	CARRIAGE LOCK SIDE PLATE	2				

CARRIAGE ASSY



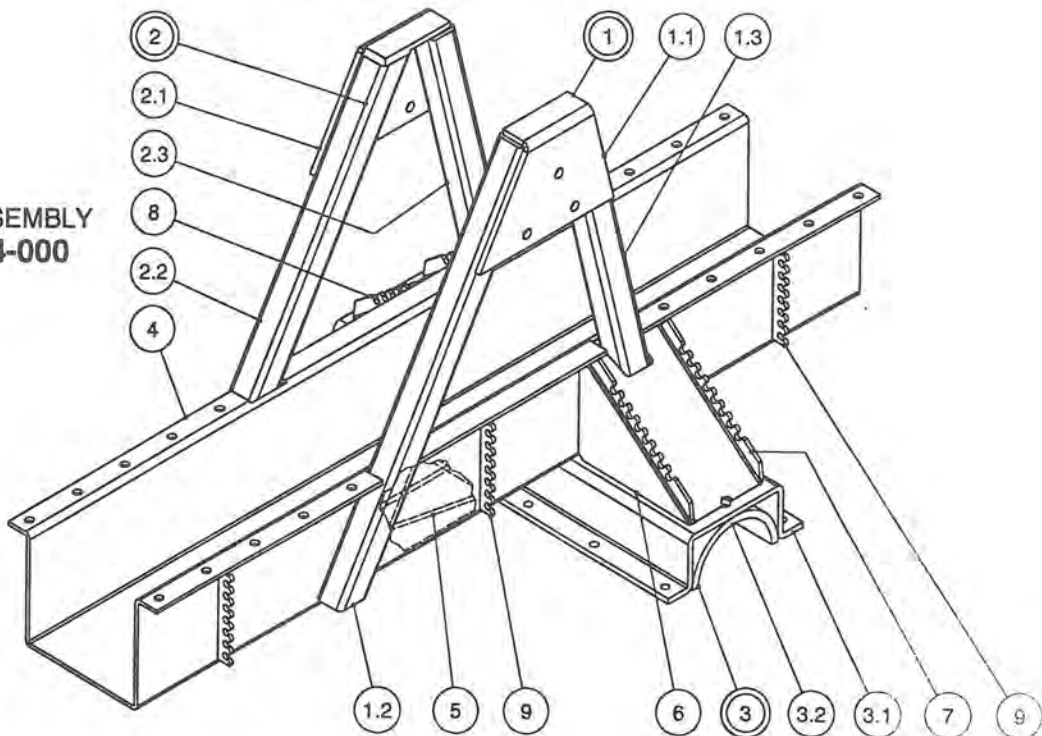
**CARRIAGE ASSY
490-16-08-000**

PARTS LIST

ITEM	PART NUMBER	DESCRIPTION	QTY
1	490-16-03-000	LH CARRIAGE OUTER LEG ASSY	1
1.1	490-16-03-067	SPINDLE HOLDER TUBE	1
1.2	490-16-03-063	CARRIAGE OUTER LEG	1
1.3	490-16-03-068	SPINDLE HOLDER TUBE GUSSET	1
1.4	490-16-03-130	UPPER CLEANER PLATE	1
1.5	490-16-03-069	UPPER SPINDLE SLEEVE	1
1.6	490-16-03-065	CLEANER PLATE	1
1.7	490-16-08-064	LONG CYLINDER LUG	2
1.8	490-16-03-070	END CAP	1
2	490-16-06-000	RH CARRIAGE OUTER LEG ASSY	1
2.1	490-16-06-073	RH SPINDLE HOLDER TUBE	1
2.2	490-16-03-063	CARRIAGE OUTER LEG	1
2.3	490-16-03-068	SPINDLE HOLDER TUBE GUSSET	1
2.4	490-16-03-130	UPPER CLEANER PLATE	1
2.5	490-16-03-069	UPPER SPINDLE SLEEVE	1
2.6	490-16-03-065	CLEANER PLATE	1
2.7	490-16-08-064	LONG CYLINDER LUG	2
2.8	490-16-03-070	END CAP	1
3	490-16-07-000	CARRIAGE CROSS TUBE ASSY	1
3.1	490-16-07-074	CROSS TUBE	1
3.2	490-16-07-076	CYLINDER LUG SLEEVE	2
4	490-16-08-081	CROSS MEMBER FOR CYLINDER BRKTS	1
5	490-16-08-085	VERTICAL SUPPORT TUBE	1
6	490-16-08-077	CROSS BRACE	1
7	490-16-08-142	CARRIAGE LOCK INNER SLEEVE	1
8	490-16-08-186	REINFORCING ANGLE	2
9	490-16-08-079	CYLINDER LUG	2
10	490-16-08-080	CARRIAGE GUSSET	4

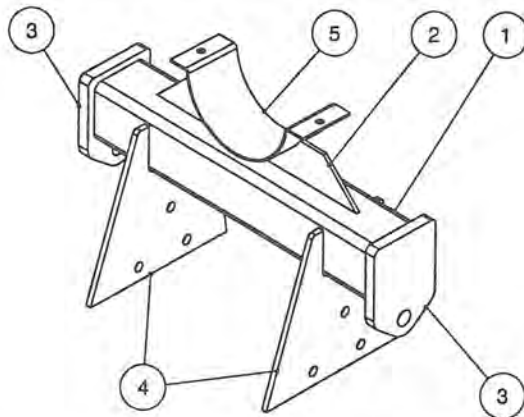
SADDLE & TIE BAR ASSEMBLY

**SADDLE ASSEMBLY
490-16-04-000**



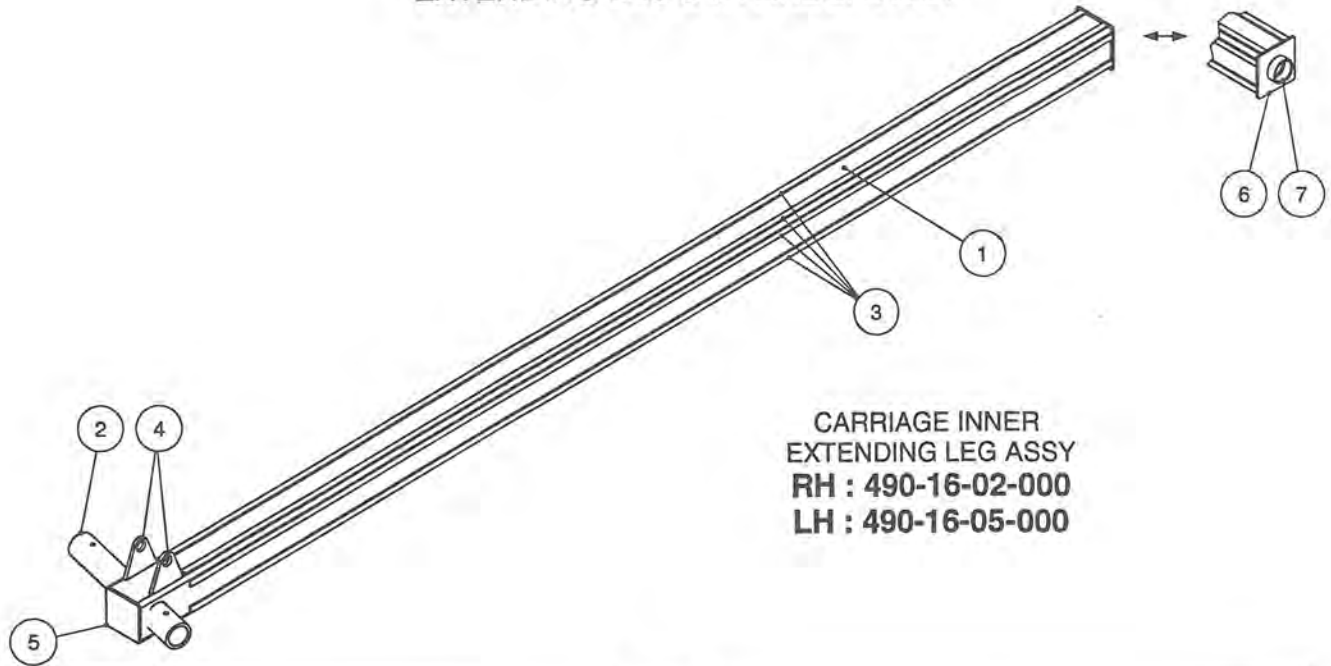
PARTS LIST			
ITEM	PART NUMBER	DESCRIPTION	QTY
1	490-16-09-000	RH CYLINDER MOUNT ASSY	1
1.1	490-16-09-183	RH TIE PLATE	1
1.2	490-16-09-109	LOWER LEG	1
1.3	490-16-09-110	UPPER LEG	1
2	490-16-10-000	LH CYLINDER MOUNT ASSY	1
2.1	490-16-10-184	LH TIE PLATE	1
2.2	490-16-09-109	LOWER LEG	1
2.3	490-16-09-110	UPPER LEG	1
3	490-16-12-000	UPPER HALF TUBE ASSY	1
3.1	490-16-04-025	TUBE COVER	1
3.2	490-16-04-024	HALF TUBE	1
4	490-16-04-023	SADDLE	1
5	490-16-04-028	LOWER GUSSET	2
6	490-16-04-027	GUSSET	2
7	490-16-04-132	RH CAP w/ HOSE HOLDER	1
8	490-16-04-133	LH CAP w/ HOSE HOLDER	1
9	490-03-00-011	HYDRAULIC HOSE HOLDER	2

**TIE BAR ASSEMBLY
490-16-11-000**



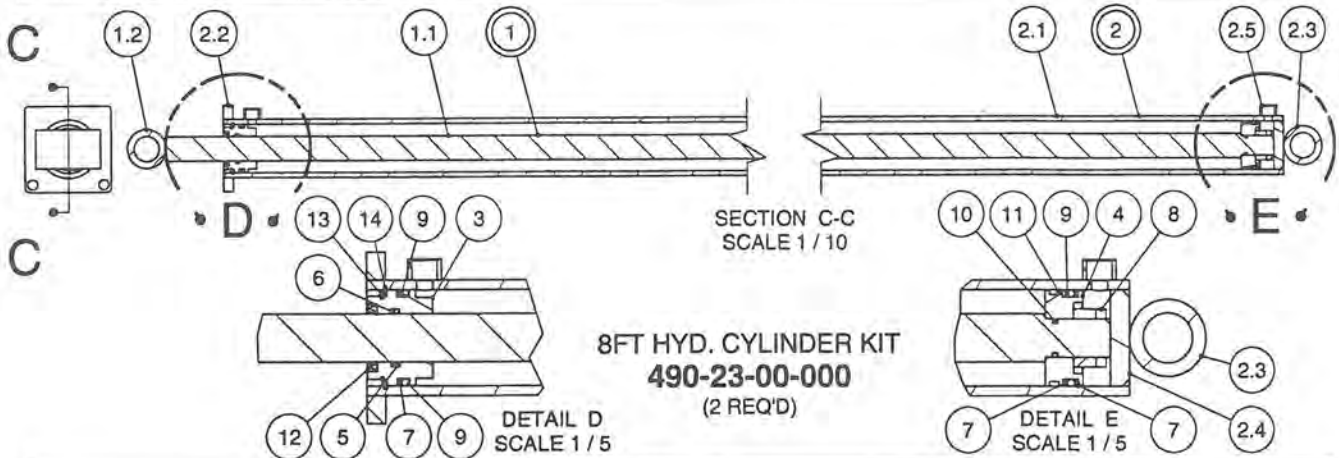
PARTS LIST			
ITEM	PART NUMBER	DESCRIPTION	QTY
1	490-16-11-180	CROSS TUBE	1
2	490-16-11-181	SUPPORT HOLDER	1
3	490-16-11-182	CYLINDER LUG	1
4	490-16-11-185	ATTACHMENT PLATE	2
5	290-23-00-093	DISCHARGE SUPPORT	1

EXTENDING LEG & CYLINDER ASSY



CARRIAGE INNER
EXTENDING LEG ASSY
RH : 490-16-02-000
LH : 490-16-05-000

PARTS LIST			
ITEM	PART NUMBER	DESCRIPTION	QTY
1	490-16-02-059	CARRIAGE INNER LEG	1
2	490-16-02-060	SPINDLE SLEEVE	1
3	490-16-02-062	GUIDE BAR	8
4	490-16-02-114	LOWER CYLINDER LUG	2
5	490-16-02-144	LOWER CAP	1
6	490-16-02-145	UPPER CAP	1
7	R02948	2" HALF COUPLING	1



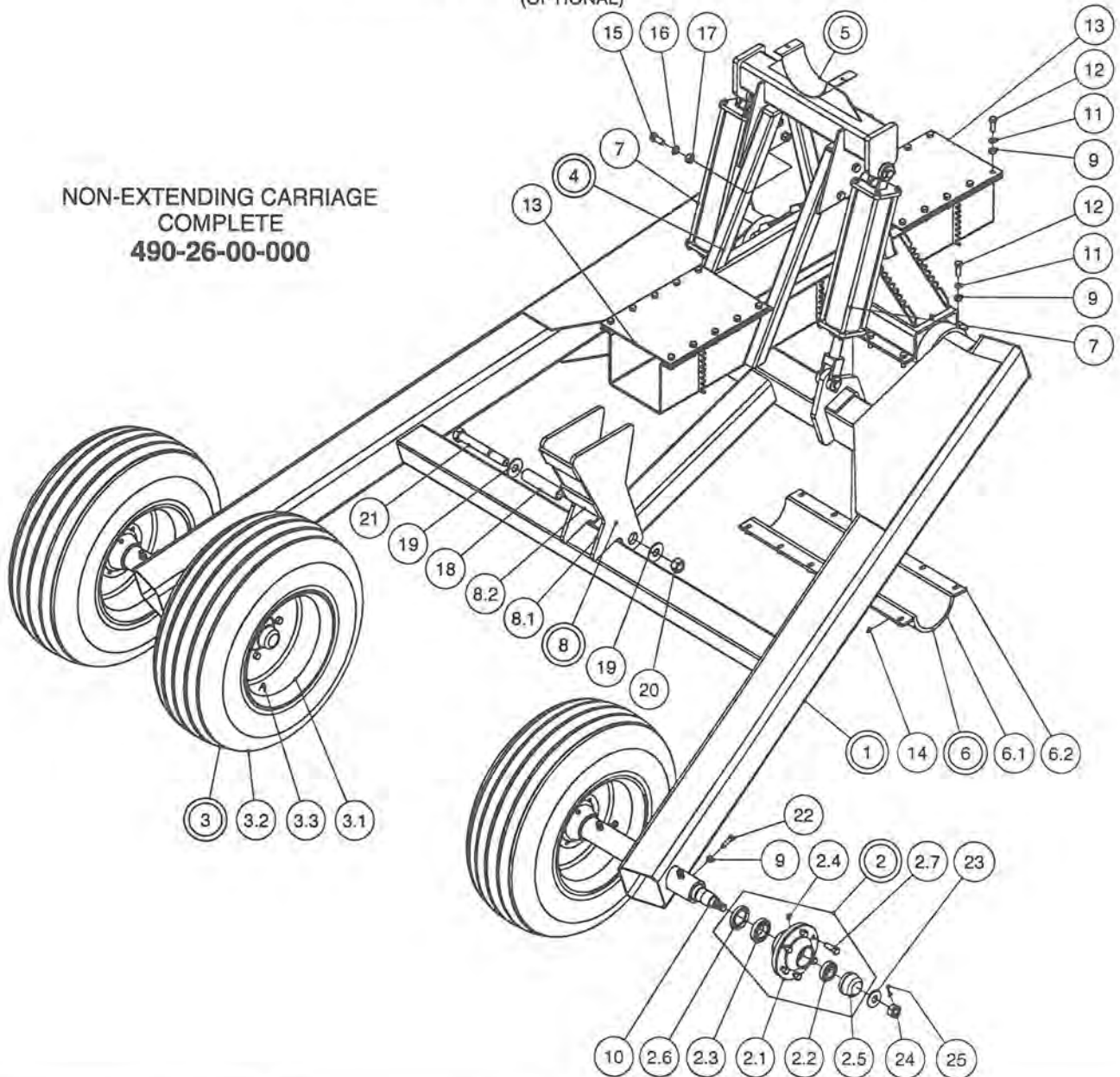
8FT HYD. CYLINDER KIT
490-23-00-000
(2 REQ'D)

PARTS LIST			
ITEM	PART NUMBER	DESCRIPTION	QTY
1	490-23-01-000	8FT CYLINDER SHAFT ASSY	1
1.1	490-23-01-121	CYLINDER SHAFT - 8' CYLINDER	1
1.2	490-17-01-095	LOWER PIN TUBE	1
2	490-23-02-000	8FT HYD. CYLINDER TUBE ASSY	1
2.1	490-23-02-122	OUTER TUBE - 8FT CYLINDER	1
2.2	490-17-02-093	CYLINDER SUPPORT	1
2.3	490-17-01-095	LOWER PIN TUBE	1
2.4	490-17-02-091	END CAP	1
2.5	R02068	3/8" HALF COUPLING	2
3	490-17-00-096	END BLOCK	1
4	490-17-00-097	PISTON	1
5	R20866	O-RING #11-218	1
6	R20867	BACKUP RING #8-218	1
7	R21027	OUTER BACKUP #330	3
8	R08346	1"-14 UNF STOVER LOCK NUT	1
9	R09900	O-RING #330 - 2 1/8" x 2 1/2" x 3/16"	2
10	R20771	O-RING #11-210	1
11	R21028	OUTER WEAR RING - SPLIT-2 1/2 x 1/4 x 1/8	1
12	R21026	ROD WIPER	1
13	R08344	INTERNAL SPIROL RET. RING 2.5"	1
14	R08345	EXTERNAL SPIROL RET. RING 2.5"	1

NON-EXTENDING CARRIAGE COMPLETE

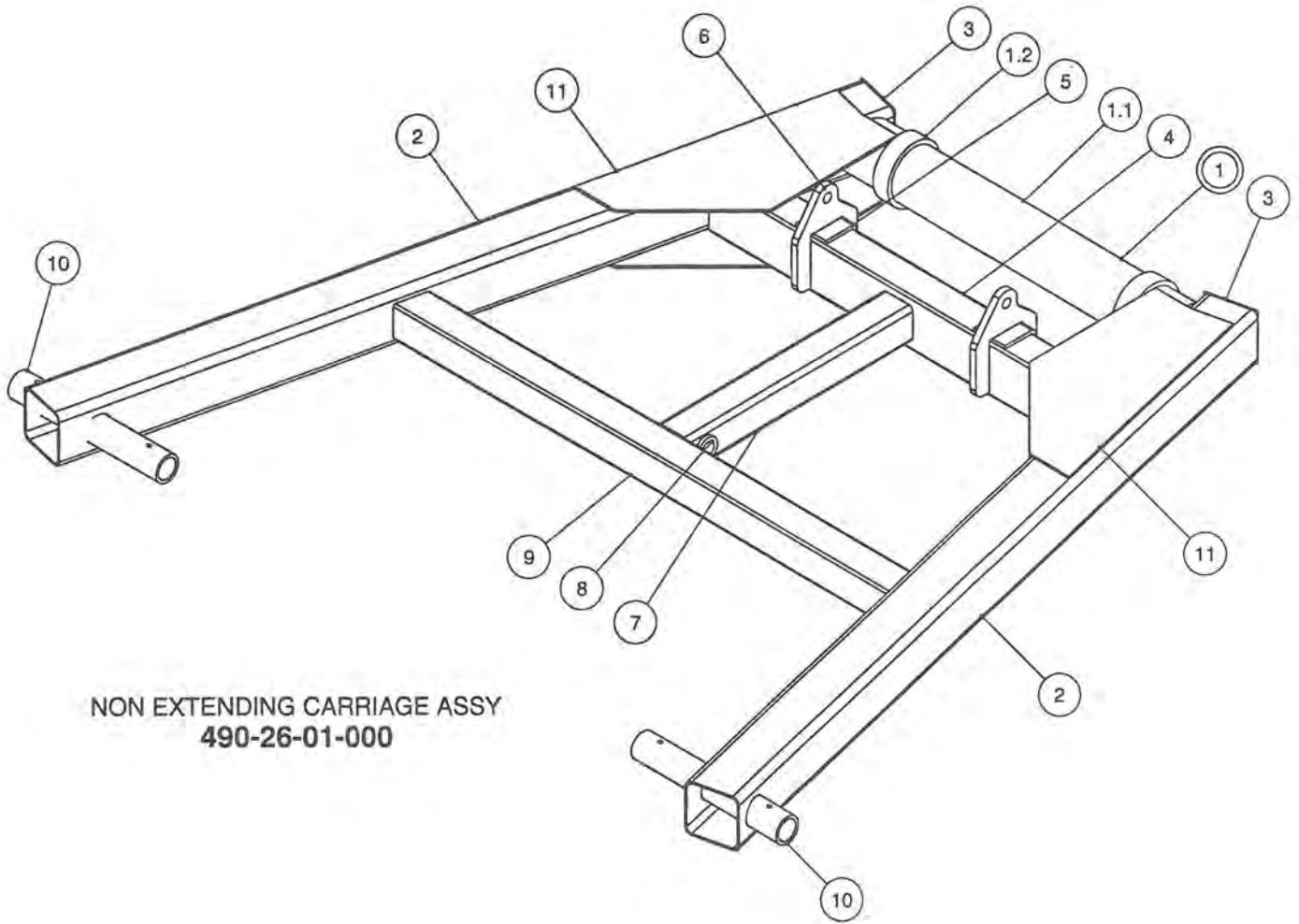
(OPTIONAL)

NON-EXTENDING CARRIAGE
COMPLETE
490-26-00-000



PARTS LIST				PARTS LIST			
ITEM	PART NUMBER	DESCRIPTION	QTY	ITEM	PART NUMBER	DESCRIPTION	QTY
1	490-26-01-000	CARRIAGE ASSY-NON EXTENDING	1	8.1	490-28-00-140	CARRIAGE LOCK SIDE PLATE	2
2	290-59-00-000	5000LB - 6 BOLT HUB ASSY	4	8.2	490-28-00-141	STOP PLATE	2
2.1	R22055	5000LB HUB w/ CUPS	1	9	R07785	1/2 HEX NUT	44
2.2	R22061	OUTER CONE LM48548	1	10	490-16-00-082	LOWER SPINDLE	4
2.3	R22059	INNER CONE LM603049	1	11	R07805	1/2 LOCK WASHER	32
2.4	R08186	1/8" NPT GREASE FTG	1	12	R07638	1/2 x 1 1/2 HEX BOLT	32
2.5	R22062	DUST CAP	1	13	490-16-00-099	AXLE HOLD DOWN PLATE	2
2.6	R22063	SEAL CR2004	1	14	R08183	1/4" - 28 STRAIGHT GREASE FITTING	3
2.7	R20110	9/16 UNF WHEEL BOLT	6	15	R07646	5/8-11 UNC x 1.5 HEX BOLT	6
3	290-31-00-000	11L x 15 TIRE AND WHEEL ASSY	4	16	R07806	5/8 LOCK WASHER	6
3.1	R20045	15 x 8 x 6 BOLT WHEEL	1	17	R07786	5/8 HEX NUT	6
3.2	R20043	11L x 15 RIB IMP 6 PL TIRE	1	18	490-16-00-143	CARRIAGE LOCK PIVOT SLEEVE	1
3.3	R20020	VALVE STEM	1	19	R07828	1" FLAT WASHER	2
4	490-16-04-000	SADDLE & CYLINDER BRKT ASSY	1	20	R07882	1" - 2 WAY LOCK NUT	1
5	490-16-11-000	TIE BAR AND TUBE HOLDER ASSY	1	21	R07669	1 x 8" HEX BOLT	1
6	490-04-00-000	LOWER CARRIAGE MOUNT ASSY	1	22	R07923	1/2 x 1 1/2" SQ HD SET SCREW	8
6.1	490-04-00-138	LOWER HALF TUBE	1	23	R20118	SPINDLE WASHER	4
6.2	490-04-00-034	LOWER CARRIAGE STRAP	2	24	R20117	SPINDLE NUT	4
7	R22271	4" x 16" HYDRAULIC CYLINDER	2	25	R08013	3/16 x 2 COTTER PIN	4
8	490-28-00-000	CARRIAGE LOCK ASSY	1				

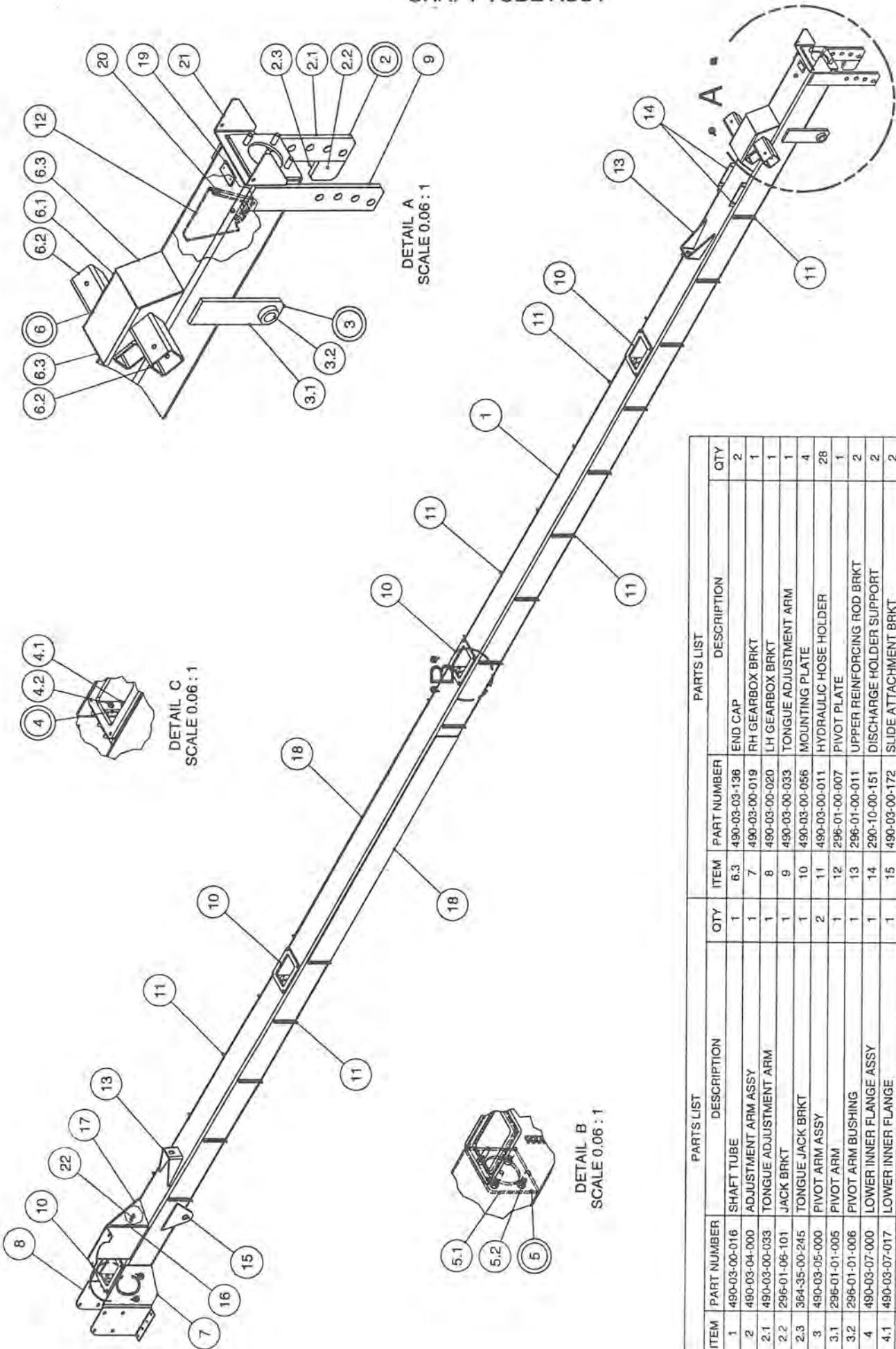
NON EXTENDING CARRIAGE ASSY
(OPTIONAL)



NON EXTENDING CARRIAGE ASSY
490-26-01-000

PARTS LIST			
ITEM	PART NUMBER	DESCRIPTION	QTY
1	490-16-07-000	CARRIAGE CROSS TUBE ASSY	1
1.1	490-16-07-074	CROSS TUBE	1
1.2	490-16-07-076	CYLINDER LUG SLEEVE	2
2	490-26-01-128	CARRIAGE LEG	2
3	490-26-01-129	LEG CAP	2
4	490-16-08-081	CROSS MEMBER FOR CYLINDER BRKTS	1
5	490-16-08-186	REINFORCING ANGLE	2
6	490-16-08-079	CYLINDER LUG	2
7	490-16-08-085	VERTICAL SUPPORT TUBE	1
8	490-16-08-142	CARRIAGE LOCK INNER SLEEVE	1
9	490-16-08-077	CROSS BRACE	1
10	490-16-02-060	SPINDLE SLEEVE	2
11	490-16-08-080	CARRIAGE GUSSET	4

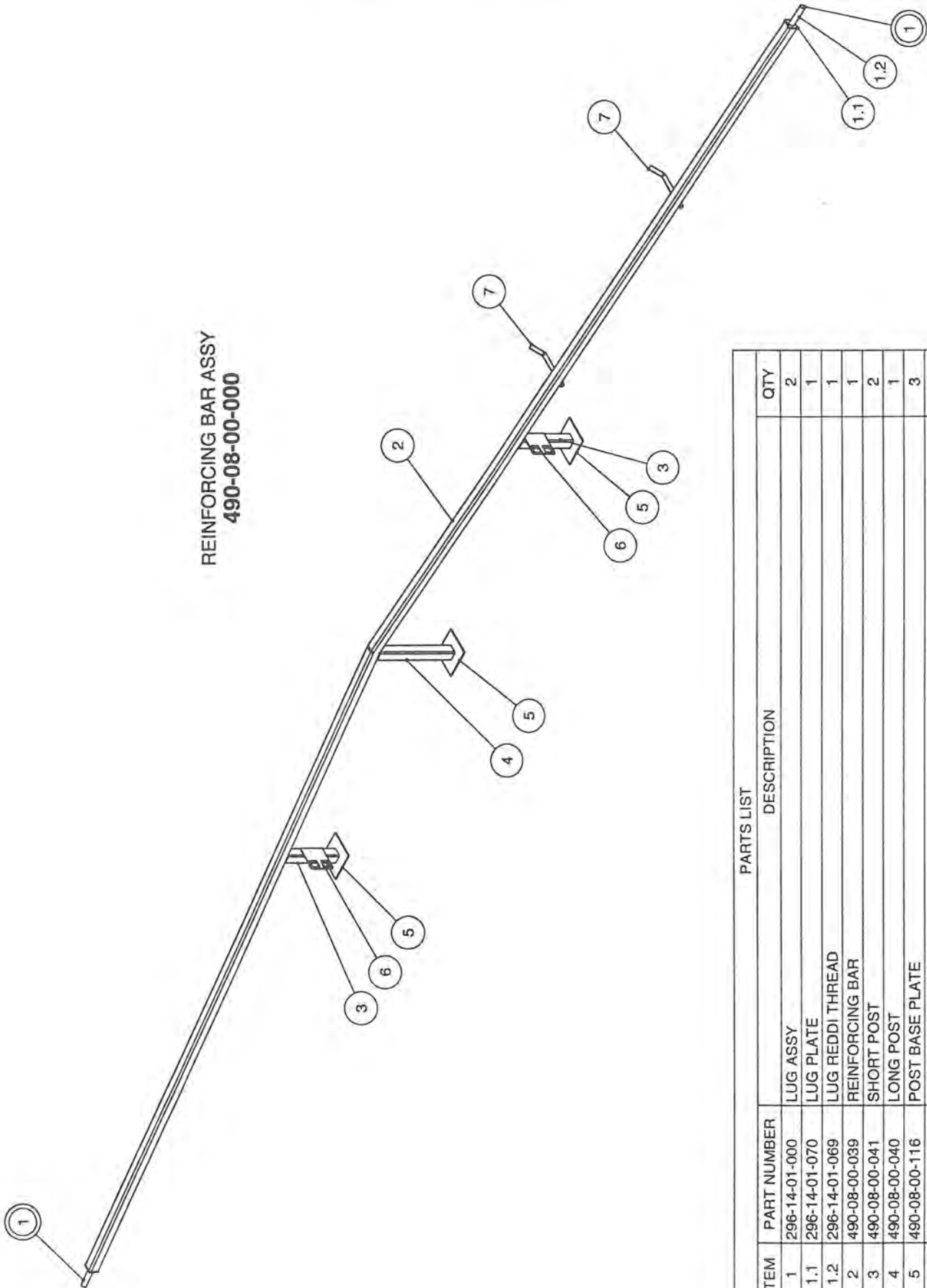
SHAFT TUBE ASSY



PARTS LIST				PARTS LIST			
ITEM	PART NUMBER	DESCRIPTION	QTY	ITEM	PART NUMBER	DESCRIPTION	QTY
1	490-03-00-016	SHAFT TUBE	1	6.3	490-03-03-136	END CAP	2
2	490-03-04-000	ADJUSTMENT ARM ASSY	1	7	490-03-00-019	RH GEARBOX BRKT	1
2.1	490-03-00-033	TONGUE ADJUSTMENT ARM	1	8	490-03-00-020	LH GEARBOX BRKT	1
2.2	296-01-06-101	JACK BRKT	1	9	490-03-00-033	TONGUE ADJUSTMENT ARM	1
2.3	364-35-00-245	TONGUE JACK BRKT	1	10	490-03-00-056	MOUNTING PLATE	4
3	490-03-05-000	PIVOT ARM ASSY	2	11	490-03-00-011	HYDRAULIC HOSE HOLDER	28
3.1	296-01-01-005	PIVOT ARM	1	12	296-01-00-007	PIVOT PLATE	1
3.2	296-01-01-006	PIVOT ARM BUSHING	1	13	296-01-00-011	UPPER REINFORCING ROD BRKT	2
4	490-03-07-000	LOWER INNER FLANGE ASSY	1	14	290-10-00-151	DISCHARGE HOLDER SUPPORT	2
4.1	490-03-07-017	LOWER INNER FLANGE	1	15	490-03-00-172	SLIDE ATTACHMENT BRKT	2
4.2	R07629	7/16 x 1 1/2 HEX BOLT	12	16	490-03-00-088	PIPE SUPPORT	1
5	490-03-06-000	BEARING HOLDER ASSY	4	17	490-03-00-131	PIPE SUPPORT CAP	1
5.1	490-03-06-018	FLANGE BEARING HOLDER	1	18	490-03-00-117	SIDE REINFORCING PLATE	2
5.2	R07647	5/8 x 2" HEX BOLT	4	19	340-01-00-498	SERIAL NO. BACK PLATE	1
6	490-03-03-000	STABILIZER ARM SUPPORT TUBE ASSY	1	20	R20685	3/8" NPT VENT PLUG	1
6.1	490-03-03-135	STABILIZER ARM BRKT	1	21	490-03-00-021	PTO GUARD MOUNT	1
6.2	490-03-03-022	STABILIZER ARM SUPPORT TUBE	2	22	490-03-00-190	2 HOSE HOLDER BRKT	1

REINFORCING BAR ASSY

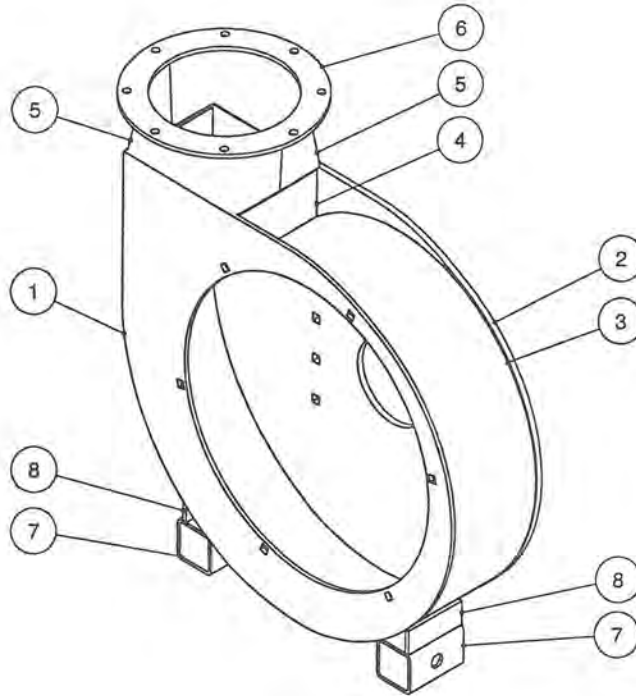
REINFORCING BAR ASSY
490-08-00-000



PARTS LIST			
ITEM	PART NUMBER	DESCRIPTION	QTY
1	296-14-01-000	LUG ASSY	2
1.1	296-14-01-070	LUG PLATE	1
1.2	296-14-01-069	LUG REDDI THREAD	1
2	490-08-00-039	REINFORCING BAR	1
3	490-08-00-041	SHORT POST	2
4	490-08-00-040	LONG POST	1
5	490-08-00-116	POST BASE PLATE	3
6	490-08-00-178	BIPOD LEG HOLDER	2
7	490-08-00-177	PTO HOLDER BRKT	2

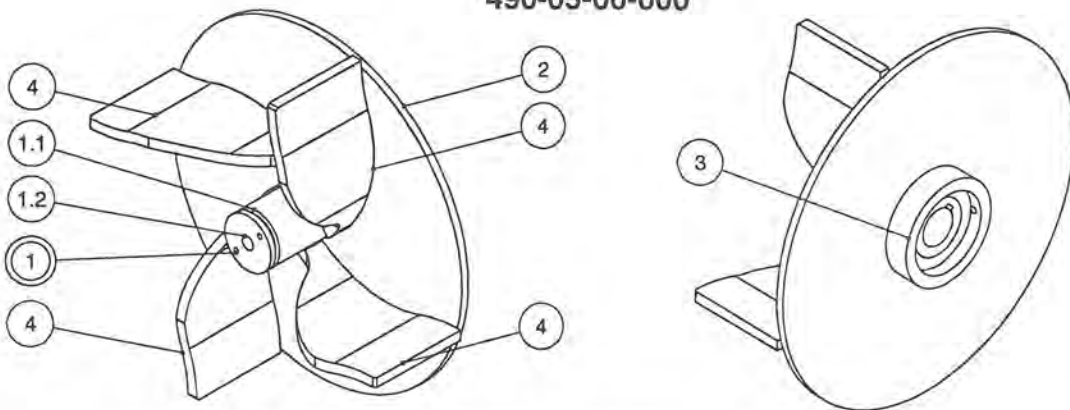
HOUSING & IMPELLER

**HOUSING ASSY
490-01-00-000**



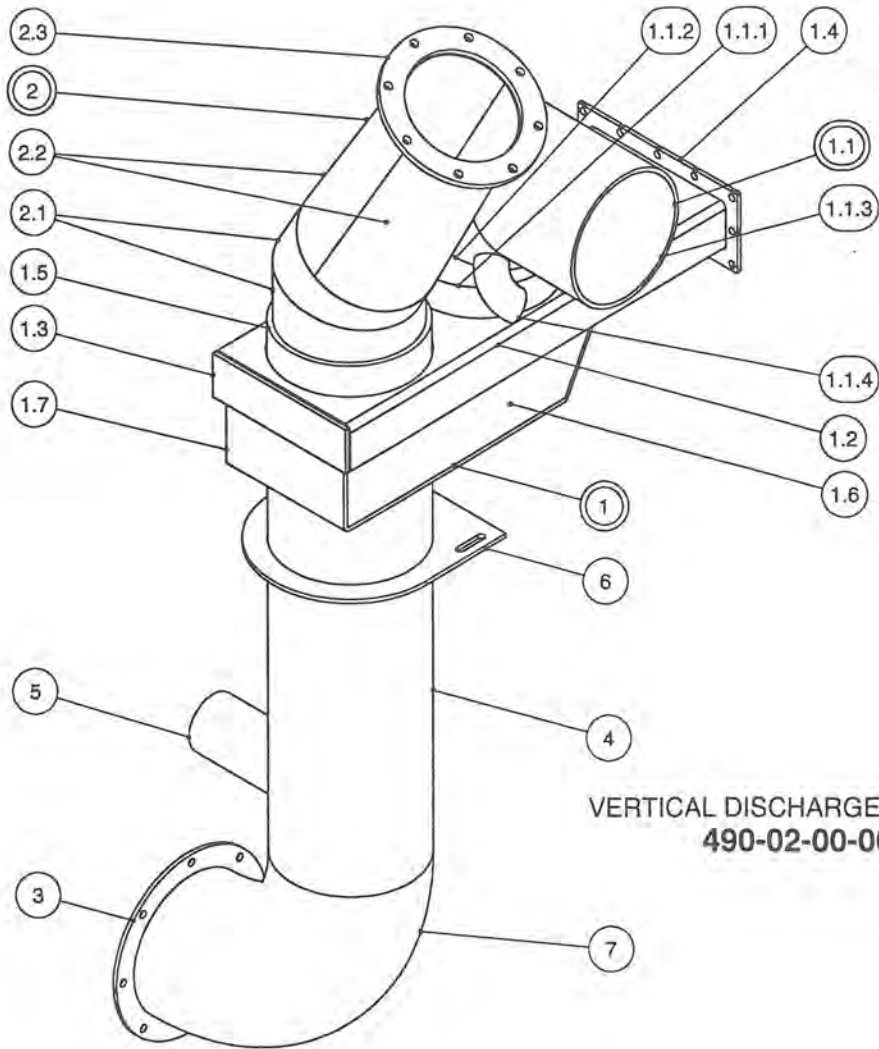
PARTS LIST			
ITEM	PART NUMBER	DESCRIPTION	QTY
1	490-01-00-001	HOUSING BOTTOM PLATE	1
2	490-01-00-002	HOUSING TOP PLATE	1
3	490-01-00-003	HOUSING BAND	1
4	490-01-00-004	HOUSING FILLER PLATE	1
5	490-01-00-005	TRANSITION PC	2
6	490-01-00-006	HOUSING FLANGE	1
7	490-01-00-173	SLIDE ATTATCHMENT TUBE	2
8	490-01-00-174	TUBE REINFORCING PLATE	2

**CHT IMPELLER ASSY
490-05-00-000**



PARTS LIST			
ITEM	PART NUMBER	DESCRIPTION	QTY
1	490-05-01-000	PL490 IMPELLER HUB ASSY	1
1.1	490-05-00-037	IMPELLER HUB	1
1.2	490-05-00-038	IMPELLER HUB CAP	1
2	244-34-00-358	CHT IMPELLER BACK PLATE	1
3	490-05-00-061	IMPELLER BACK SPACER PLATE	1
4	290-94-02-289	CHT IMPELLER BLADE	4

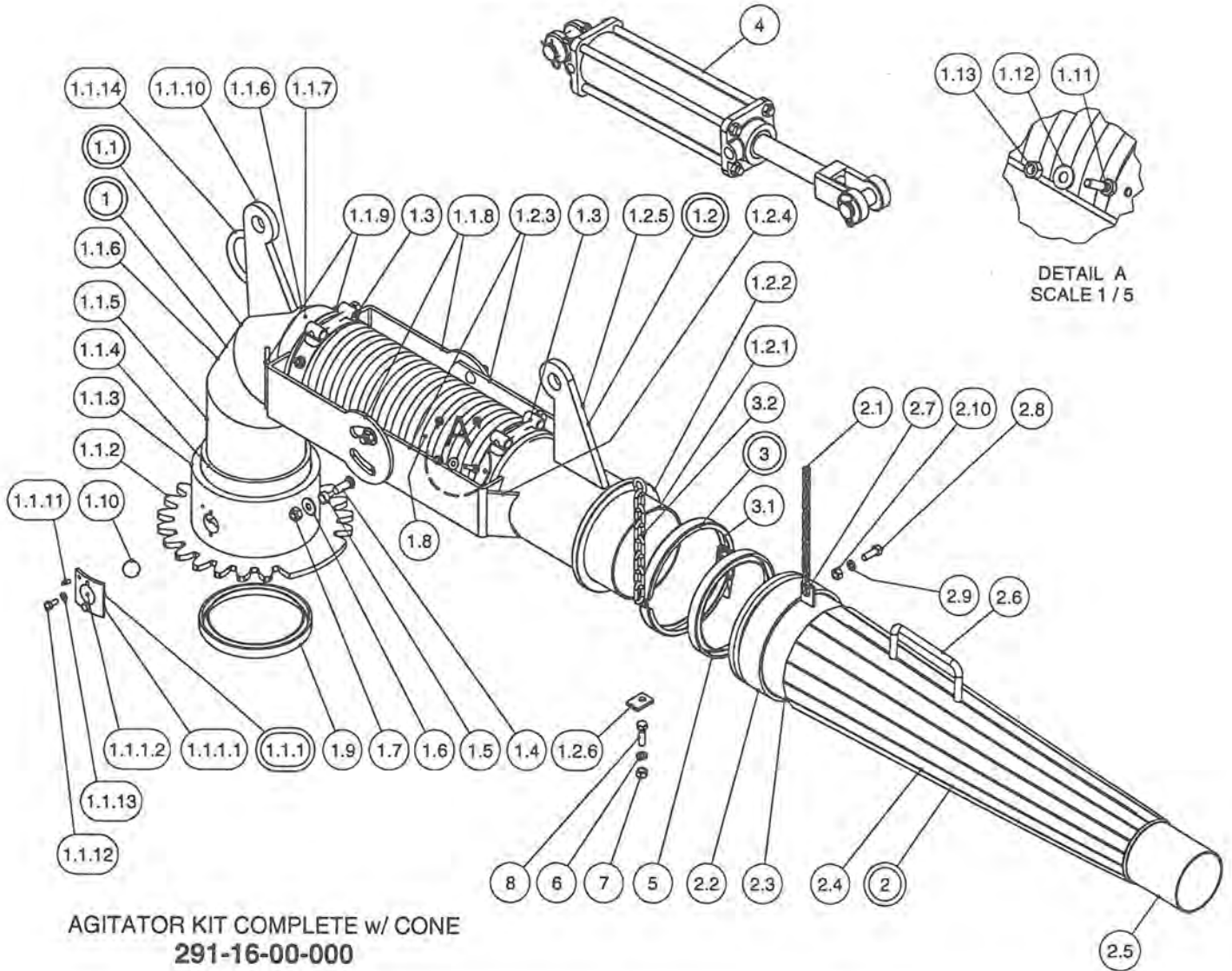
VERTICAL DISCHARGE ASSY



**VERTICAL DISCHARGE PIPE ASSY
490-02-00-000**

PARTS LIST			
ITEM	PART NUMBER	DESCRIPTION	QTY
1	490-02-02-000	VALVE BODY ASSY	1
1.1	490-02-03-000	VALVE ELBOW ASSY	1
1.1.1	490-02-03-009	ELBOW BASE PC	1
1.1.2	490-02-03-010	ELBOW MIDDLE PC	1
1.1.3	490-02-03-012	ELBOW TOP PC	1
1.1.4	R02946	1 1/2" WELD ELBOW	1
1.2	490-02-02-189	VALVE BODY	1
1.3	290-05-01-026	END CAP	1
1.4	290-05-01-027	VALVE BODY FLANGE	1
1.5	290-05-01-028	VALVE EXTENSION PIPE	2
1.6	490-02-02-107	INLET SIDE	2
1.7	490-02-02-108	INLET BASE	1
2	490-02-01-000	AGITATOR EXTENSION PIPE ASSY	1
2.1	490-02-01-013	ELBOW PC	2
2.2	490-02-01-014	CONE HALF	2
2.3	296-06-00-102	FLANGE	1
3	490-01-00-006	HOUSING FLANGE	1
4	490-02-00-007	VERTICAL DISCHARGE PIPE	1
5	490-02-00-008	3" AGITATOR PIPE	1
6	490-02-00-015	VERTICAL PIPE HOLDER	1
7	R02935	8" WELD ELBOW	1

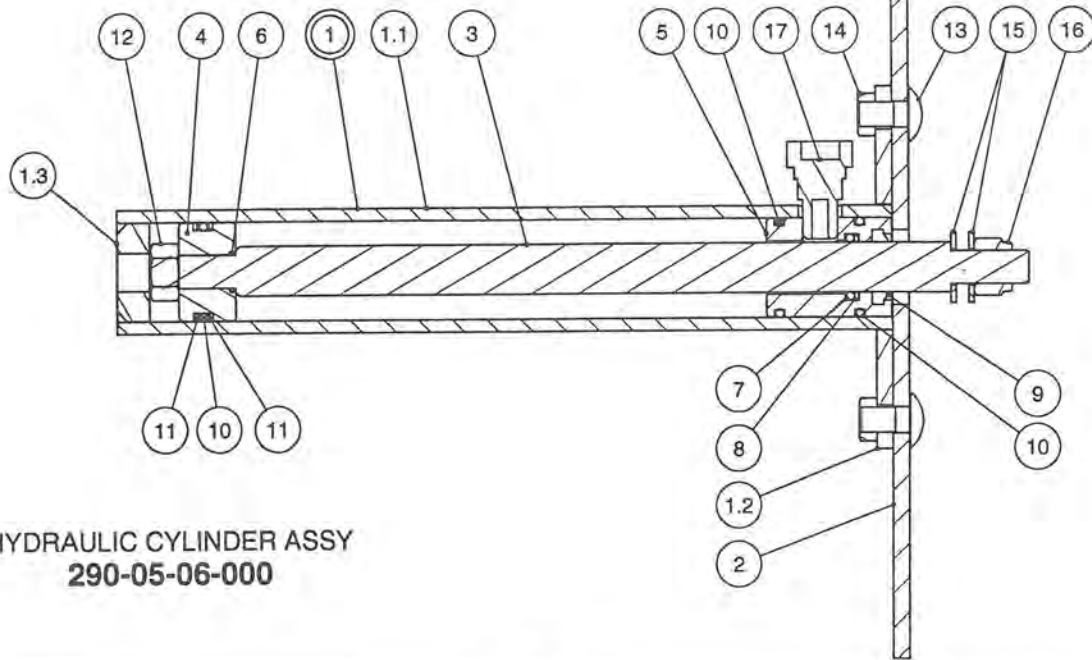
AGITATOR KIT COMPLETE



**AGITATOR KIT COMPLETE w/ CONE
291-16-00-000**

PARTS LIST				PARTS LIST			
ITEM	PART NUMBER	DESCRIPTION	QTY	ITEM	PART NUMBER	DESCRIPTION	QTY
1	291-16-01-000	AGITATOR SWIVEL KIT w/ RING	1	1.6	R07824	7/16 FLAT WASHER	4
1.1	290-30-00-000	AGITATOR ELBOW ASSY	1	1.7	R08178	7/16 NYLOCK HEX NUT	4
1.1.1	275-05-00-000	CAP ASSY	1	1.8	270-63-00-187	FLEX HOSE	1
1.1.1.1	275-05-00-032	CAP PLATE	1	1.9	R02366	6" RUBBER GASKET	1
1.1.1.2	275-05-00-031	CAP PLUG	1	1.10	R20219	1" NYLON BALL	19
1.1.2	290-30-00-118	ROTATOR SPROCKET	1	1.11	R07801	1/4 x 1 HEX BOLT	4
1.1.3	290-30-00-128	OUTER ROLLER SLEEVE	1	1.12	R07821	1/4 FLAT WASHER	4
1.1.4	290-30-00-114	FILLER PIPE	1	1.13	R07781	1/4 HEX NUT	4
1.1.5	290-30-00-115	ELBOW BASE PC	1	2	244-12-07-000	CONE ASSY	1
1.1.6	290-30-00-116	ELBOW MIDDLE PC	2	2.1	244-12-03-316	RETAINING CHAIN	1
1.1.7	290-30-00-117	ELBOW TOP PC	1	2.2	250-96-01-296	COUPLING BASE TUBE	1
1.1.8	244-05-43-276	MAIN PIVOT BRKT	2	2.3	244-12-02-311	FILLER PIPE	1
1.1.9	244-05-46-301	GUSSET	2	2.4	244-12-03-314	CONE (HALF)	2
1.1.10	270-63-29-191	UPPER CYLINDER BRKT	1	2.5	244-12-05-319	STUB TUBE	1
1.1.11	R08237	3/16 x 1/2 SS ROLL PIN	1	2.6	244-12-03-341	CONE HANDLE	1
1.1.12	R08233	1/4 x 5/8 SS HEX CAP SCREW	2	2.7	250-96-00-298	CHAIN LUG	1
1.1.13	R07801	1/4 LOCK WASHER	2	2.8	R07619	3/8 x 1 HEX BOLT	1
1.1.14	275-02-00-119	HYD HOSE HOLDER	1	2.9	R07803	3/8 LOCK WASHER	1
1.2	291-16-02-000	CONE EXTENSION ASSY w/ RING	1	2.10	R07783	3/8 HEX NUT	1
1.2.1	291-16-02-348	EXTENSION PIPE	1	3	250-97-00-000	CLAMP & CHAIN ASSY	1
1.2.2	250-95-00-295	CLAMP RING	1	3.1	R02487	6" RING LOCK CLAMP	1
1.2.3	244-05-46-277	INNER PIVOT BRKT	2	3.2	250-97-00-297	CLAMP CHAIN	1
1.2.4	244-05-46-301	GUSSET	2	4	R20725	2 x 8 HYD CYLINDER	1
1.2.5	270-63-29-191	UPPER CYLINDER BRKT	1	5	R02366	6" RUBBER GASKET	1
1.2.6	250-96-00-298	CHAIN LUG	1	6	R07803	3/8 LOCK WASHER	1
1.3	R02482	6" HOSE CLAMP	2	7	R07783	3/8 HEX NUT	1
1.4	R07732	7/16 x 1 1/4 CARRIAGE BOLT	4	8	R07675	3/8 x 1 1/4" HEX BOLT	1
1.5	244-05-00-281	SPACER PIPE	4				

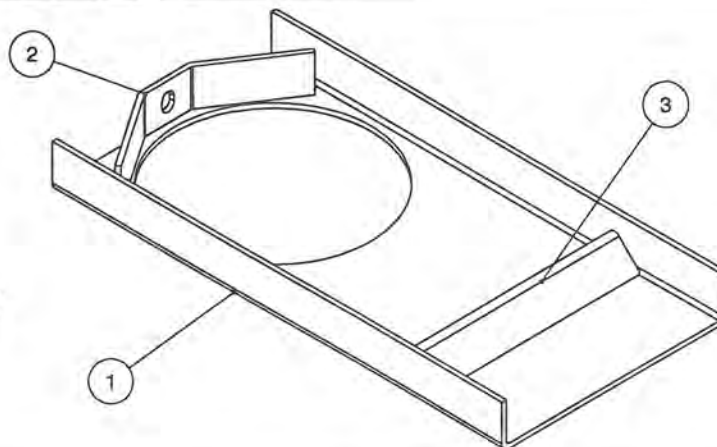
HYDRAULIC CYLINDER & VALVE GATE



**HYDRAULIC CYLINDER ASSY
290-05-06-000**

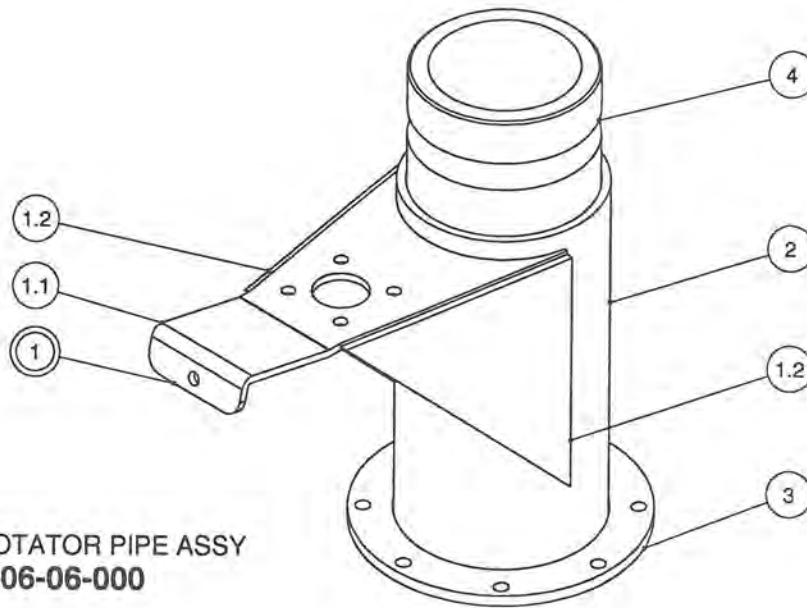
PARTS LIST			
ITEM	PART NUMBER	DESCRIPTION	QTY
1	290-05-05-000	VALVE CYLINDER TUBE ASSY	1
1.1	290-05-05-278	HYD CYLINDER TUBE	1
1.2	290-05-05-279	CYLINDER TUBE FLANGE	1
1.3	340-36-18-431	END CAP	1
2	290-05-06-280	HYD CYLINDER FLANGE	1
3	290-05-03-031	CYLINDER SHAFT	1
4	340-36-00-435	CYLINDER PLUNGER	1
5	340-36-00-434	WIPER BLOCK	1
6	R20865	O-RING #11-014	1
7	R20771	O-RING #11-210	1
8	R20862	3/4" BACKUP #210	1
9	R20774	3/4" HYTREL ROD WIPER 52-750	1
10	R20866	O-RING #11-218	3
11	R20867	BACKUP RING #8-218	2
12	R07885	1/2 - 2 WAY LOCK NUT	1
13	R07776	3/8" x 3/4" CARRIAGE BOLT	2
14	R07794	3/8 FLANGE NUT	2
15	R08222	1/2" SAE S.S. FLAT WASHER	2
16	R08229	1/2" S.S. NYLOC HEX NUT	1
17	R21287	1/4M x 3/8 SWIVEL ADAPTER	1

**VALVE GATE ASSY
290-05-04-000**



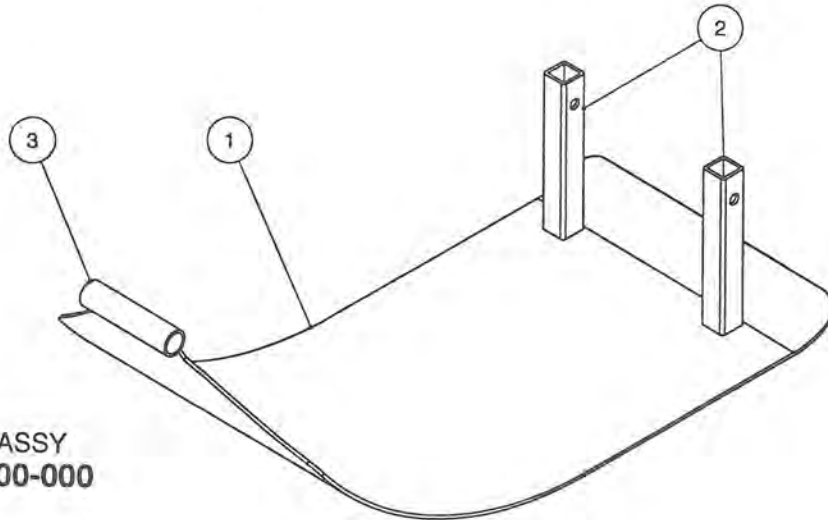
PARTS LIST			
ITEM	PART NUMBER	DESCRIPTION	QTY
1	290-05-04-032	VALVE GATE	1
2	290-05-04-033	VALVE GATE BRKT	1
3	290-05-04-037	VALVE GATE REINFORCING	1

VALVE TO ROTATOR PIPE & SLIDE ASSY



VALVE TO ROTATOR PIPE ASSY
296-06-06-000

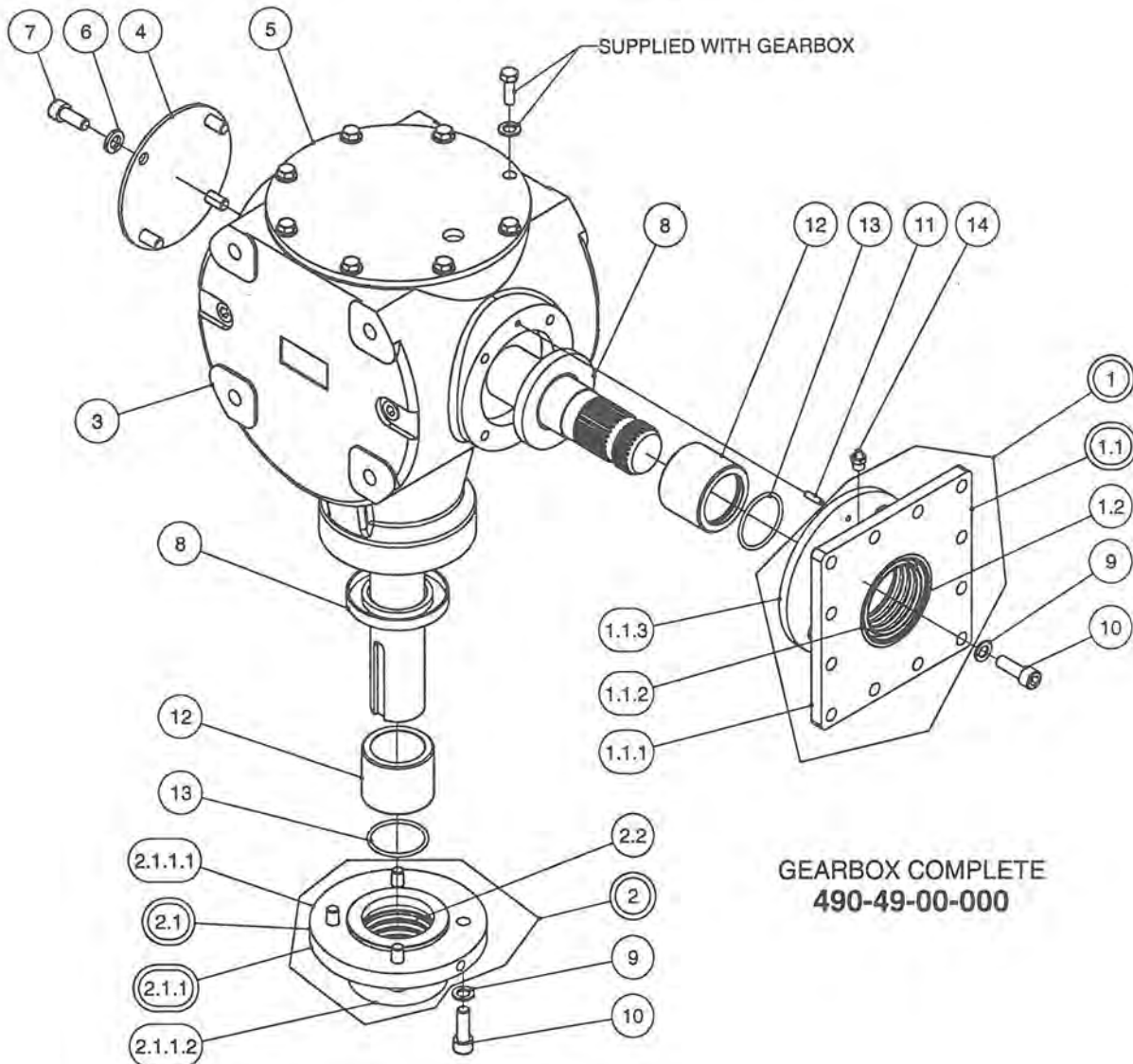
PARTS LIST			
ITEM	PART NUMBER	DESCRIPTION	QTY
1	296-06-07-000	HYDRAULIC MOTOR MT PL ASSY	1
1.1	296-06-07-118	HYDRAULIC MOTOR MOUNT PLATE	1
1.2	296-06-07-119	MT PLATE SIDES	2
2	296-06-06-049	LONG EXTENSION PIPE	1
3	296-06-00-102	FLANGE	1
4	290-18-00-090	INNER ROLLER HOLDER	1



SLIDE ASSY
490-09-00-000

PARTS LIST			
ITEM	PART NUMBER	DESCRIPTION	QTY
1	490-09-00-042	SLIDE	1
2	490-09-00-043	SLIDE LEG	2
3	490-09-00-168	SLIDE SLEEVE	1

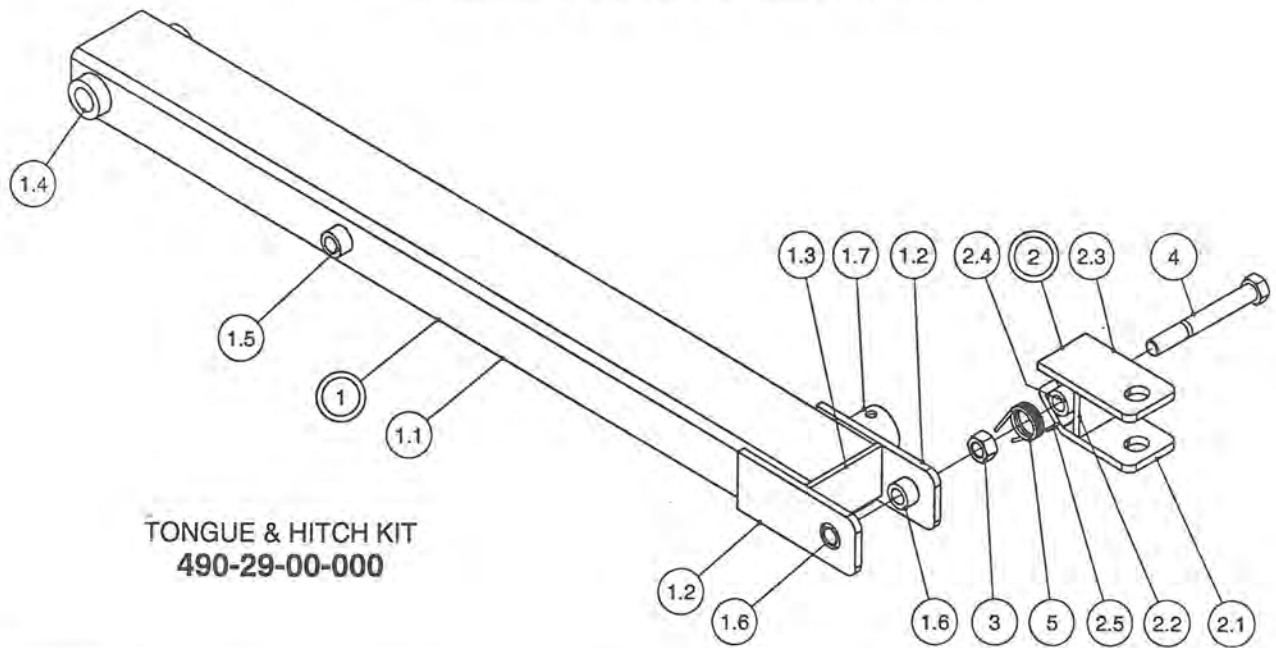
GEARBOX COMPLETE



PARTS LIST

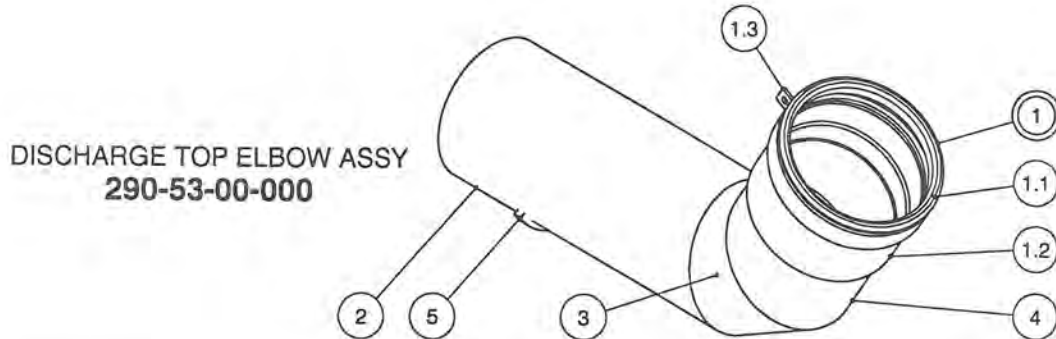
ITEM	PART NUMBER	DESCRIPTION	QTY
1	490-49-01-000	UPPER SEAL HOLDER COMPLETE	1
1.1	490-14-00-000	SEAL HOLDER ASSY - UPPER	1
1.1.1	490-14-00-054	SEAL FLANGE PUMP	1
1.1.2	490-14-00-055	SEAL SLEEVE	1
1.1.3	490-14-00-053	SEAL FLANGE-GEARBOX	1
1.2	R22524	60 x 75 x 8 METRIC SEAL	4
2	490-49-02-000	LOWER SEAL HOLDER COMPLETE	1
2.1	490-15-00-000	SEAL HOLDER ASSY - LOWER	1
2.1.1	490-15-01-000	SEAL HOLDER SUB ASSY	1
2.1.1.1	490-15-00-071	SEAL FLANGE - LOWER GEARBOX	1
2.1.1.2	490-15-00-072	LOWER SEAL SLEEVE	1
2.2	R22524	60 x 75 x 8 METRIC SEAL	4
3	R22233	1:1 BONDIOI GEARBOX - EXT SHAFT	1
4	490-00-00-127	GEARBOX CAP	1
5	490-00-00-134	GEARBOX TOP COVER PLATE	1
6	R07804	7/16 LOCK WASHER	4
7	R08359	M10-1.5 x 25	4
8	R22300	45 x 85 x 10 METRIC SEAL	2
9	R08353	M10 LOCK WASHER	8
10	R08358	M10-1.5 x 30	8
11	R07954	3/16" x 3/4" ROLL PIN	1
12	R22447	HARDENED SEAL SLEEVE	2
13	R22297	45 ID x 51 OD x 3	2
14	R08186	1/8" NPT GREASE FTG	1

TONGUE KIT & DISCHARGE ELBOW



**TONGUE & HITCH KIT
490-29-00-000**

PARTS LIST			
ITEM	PART NUMBER	DESCRIPTION	QTY
1	490-29-01-000	TONGUE ASSY	1
1.1	490-29-01-146	TONGUE TUBE	1
1.2	490-29-01-149	SIDE PLATE	2
1.3	490-29-01-150	UPPER END CAP	1
1.4	490-13-00-052	HD TONGUE SLEEVE	1
1.5	490-13-00-051	TONGUE SLEEVE	1
1.6	490-29-01-148	SIDE PLATE SLEEVE	2
1.7	364-35-00-245	TONGUE JACK BRKT	1
2	490-29-02-000	HITCH ASSY	1
2.1	490-29-02-153	LOWER HITCH PLATE	1
2.2	490-29-02-152	REINFORCING PLATE	1
2.3	490-29-02-154	UPPER HITCH PLATE	1
2.4	490-29-02-155	HITCH SLEEVE	1
2.5	R07950	3/16 x 1 1/4 ROLL PIN	1
3	R07882	1" - 2 WAY LOCK NUT	1
4	R07669	1 x 8" HEX BOLT	1
5	R08372	TORSION SPRING - 1 3/4 ID x 3/16" WIRE	1

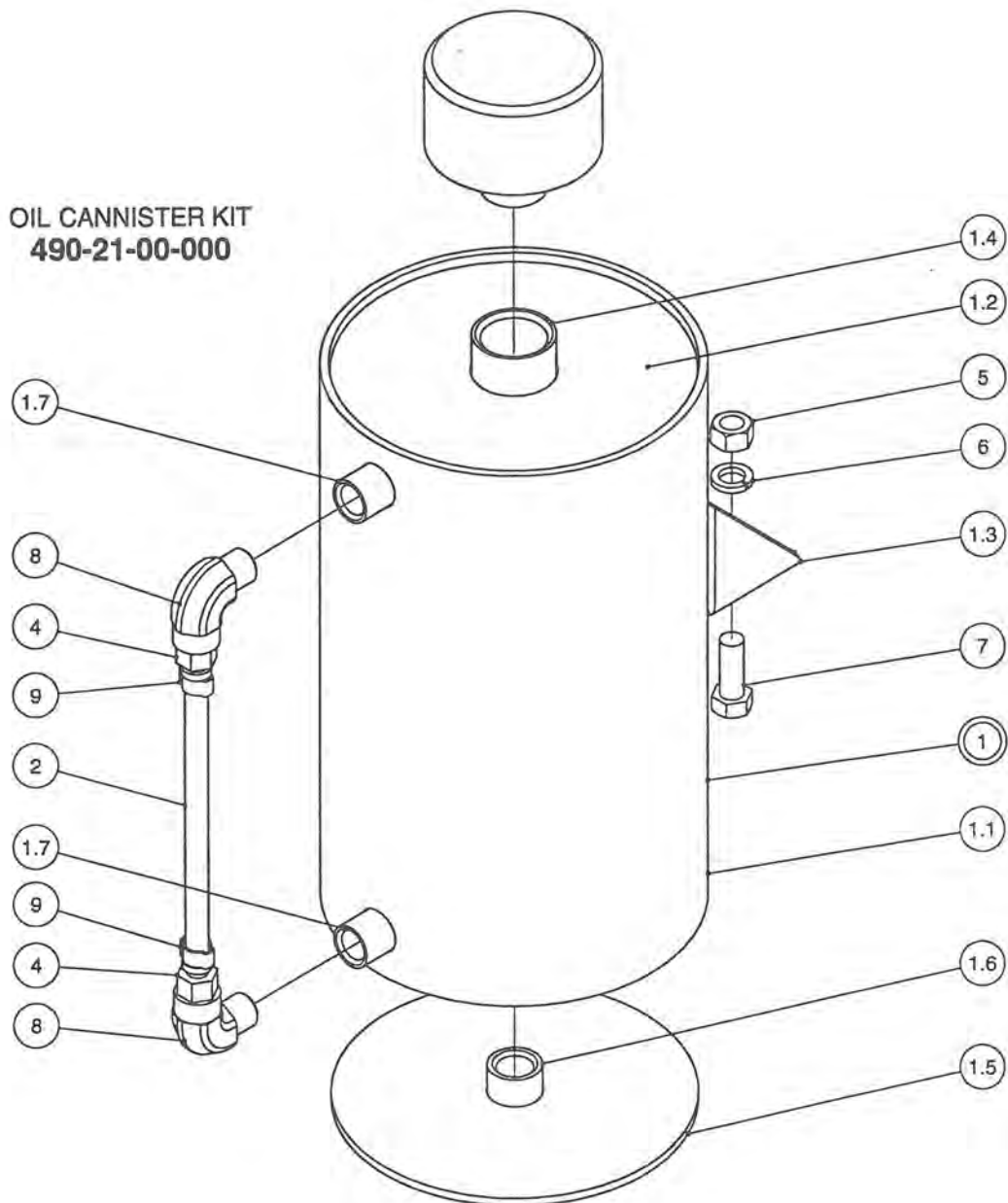


**DISCHARGE TOP ELBOW ASSY
290-53-00-000**

PARTS LIST			
ITEM	PART NUMBER	DESCRIPTION	QTY
1	290-53-01-000	UPPER EXTENSION PIPE ASSY	1
1.1	244-07-01-306	COUPLING BASE	1
1.2	242-09-09-048	EXTENSION PIPE	1
1.3	250-96-00-298	CHAIN LUG	1
2	290-26-00-108	ELBOW BOTTOM PC	1
3	290-26-00-109	ELBOW MIDDLE PC	1
4	290-26-00-110	ELBOW TOP PC	1
5	290-26-00-111	STOP	1

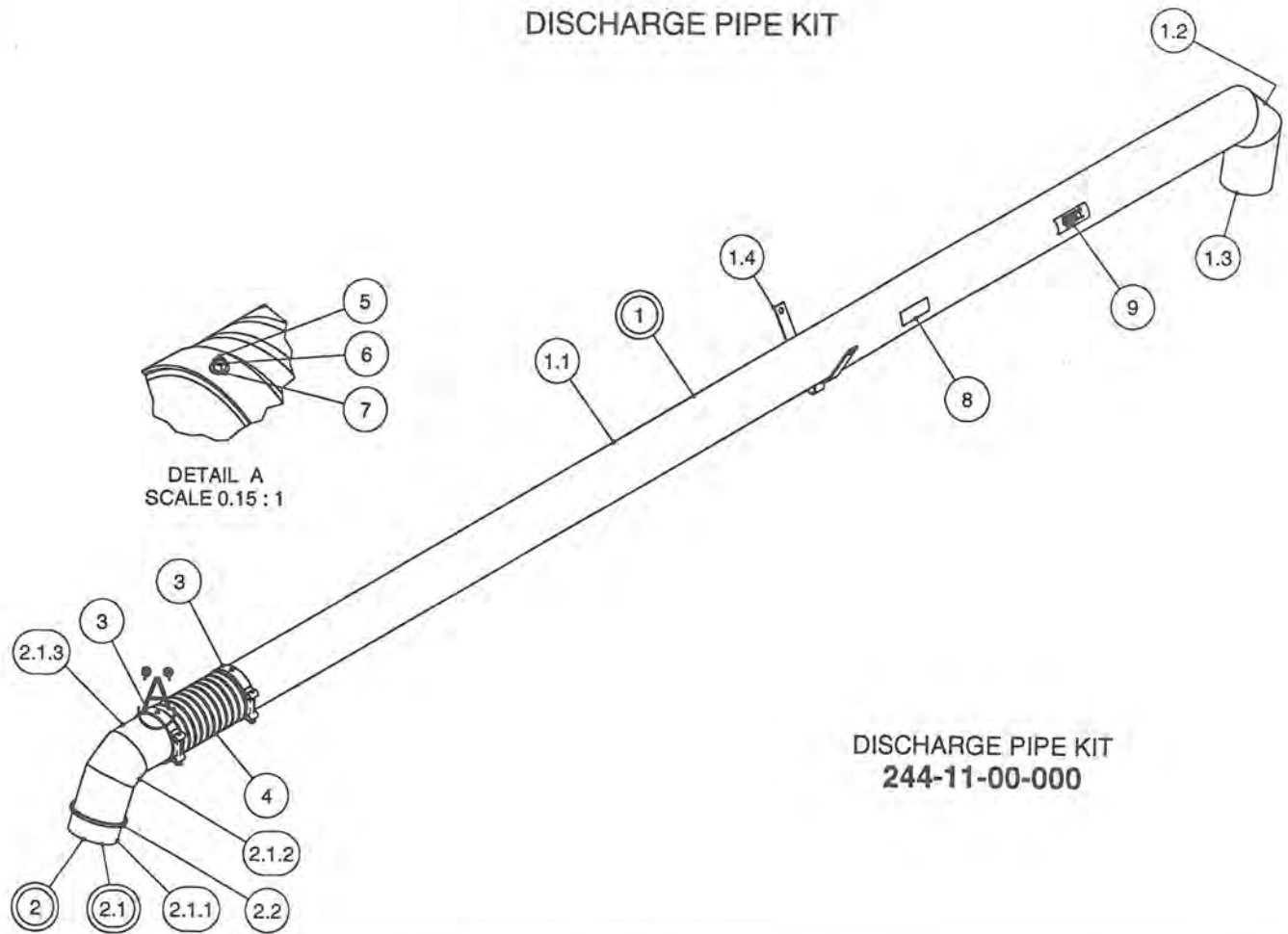
OIL CANNISTER KIT

**OIL CANNISTER KIT
490-21-00-000**



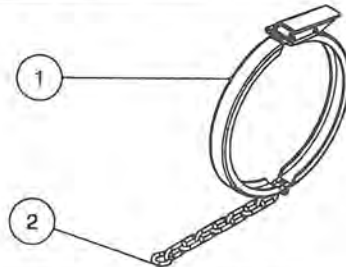
PARTS LIST			
ITEM	PART NUMBER	DESCRIPTION	QTY
1	490-21-01-000	OIL CANNISTER ASSY	1
1.1	490-21-01-101	OIL CANNISTER	1
1.2	490-21-01-102	CANNISTER LID	1
1.3	490-21-01-103	CANNISTER ATTACHMENT BRKT	1
1.4	490-21-01-104	HALF OF 3/4" PIPE COUPLING	1
1.5	490-21-01-126	CANNISTER BOTTOM	1
1.6	R02058	3/8" FULL PIPE COUPLING	1
1.7	R02057	1/4" FULL PIPE COUPLING	2
2	490-21-00-105	SITE HOSE	1
3	R21103	FILLER BREATHER	1
4	R20802	1/4 - 18 NPT SOLID MALE STEM	2
5	R07783	3/8 HEX NUT	2
6	R07803	3/8 LOCK WASHER	2
7	R07619	3/8 x 1 HEX BOLT	2
8	R21302	1/4" NPT STREET ELBOW	2
9	R02966	5/16" OETIKER 2 EAR CLAMP	2

DISCHARGE PIPE KIT



**DISCHARGE PIPE KIT
244-11-00-000**

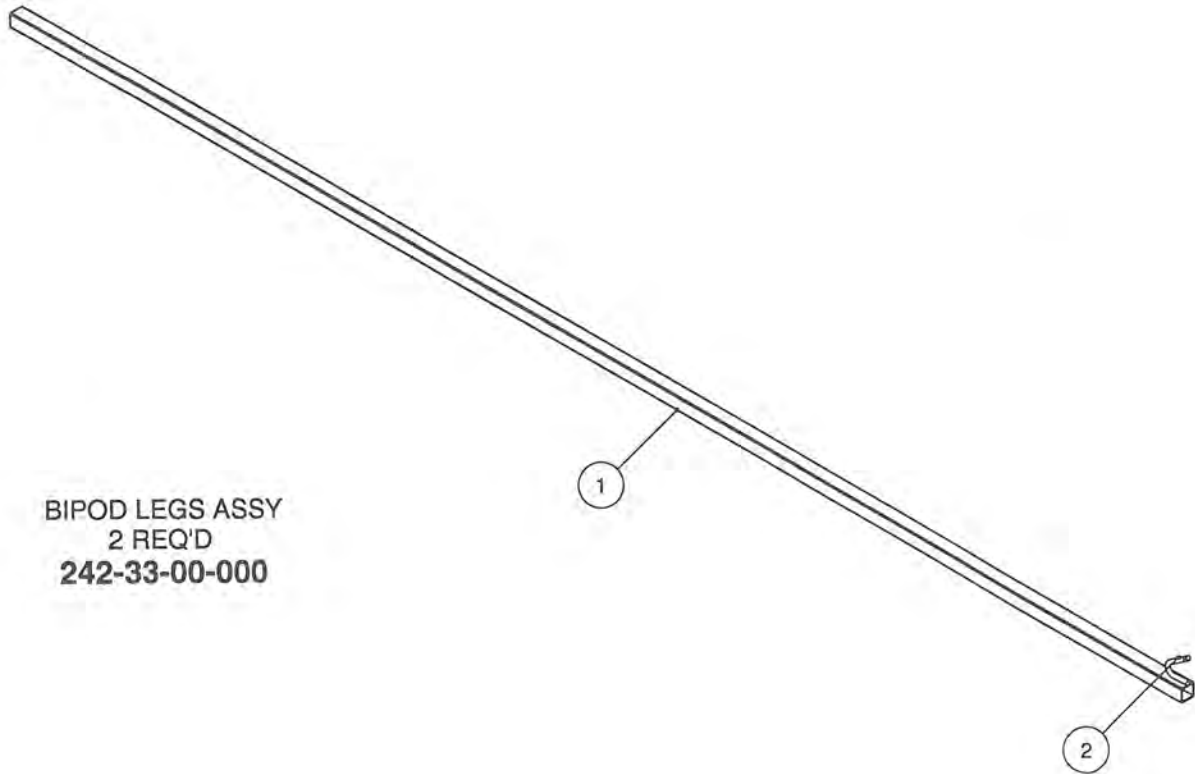
PARTS LIST			
ITEM	PART NUMBER	DESCRIPTION	QTY
1	270-42-00-000	20 FT DISCHARGE PIPE ASSY	1
1.1	270-42-00-130	DISCHARGE PIPE	1
1.2	242-30-00-146	DISCHARGE ELBOW CENTER PC	1
1.3	242-30-00-147	DISCHARGE ELBOW END PC	1
1.4	242-30-00-148	DISCHARGE PIPE HOOK	1
2	244-08-00-000	PUMP ELBOW w/ RING ASSY	1
2.1	242-28-00-000	PUMP ELBOW ASSY	1
2.1.1	242-28-00-138	PUMP ELBOW BASE SECTION	1
2.1.2	242-28-00-139	PUMP ELBOW MIDDLE SECTION	1
2.1.3	242-28-00-140	PUMP ELBOW UPPER SECTION	1
2.2	244-08-00-307	CLAMP RING	1
3	R02484	8" SUCTION HOSE CLAMP	2
4	242-00-00-141	FLEXIBLE HOSE SECTION	1
5	R07601	1/4 x 1 HEX BOLT	4
6	R07781	1/4 HEX NUT	4
7	R07821	1/4 FLAT WASHER	4
8	R09690	"TIE DOWN" DECAL	1
9	R09502	"HUSKY" DECAL	1



**8" CLAMP & CHAIN ASSY
244-09-00-000**

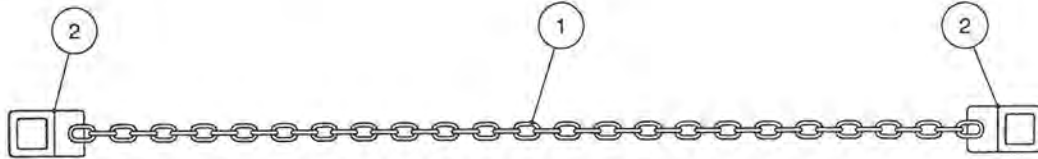
PARTS LIST			
ITEM	PART NUMBER	DESCRIPTION	QTY
1	R02488	8" RINGLOCK CLAMP	1
2	250-97-00-297	CLAMP CHAIN	1

DISCHARGE PIPE KIT CON'T



BIPOD LEGS ASSY
2 REQ'D
242-33-00-000

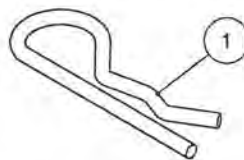
PARTS LIST			
ITEM	PART NUMBER	DESCRIPTION	QTY
1	242-33-00-155	BIPOD LEGS	1
2	242-33-00-156	BIPOD LEG HOOK	1



BIPOD LEG CHAIN ASSY
242-79-00-000

PARTS LIST			
ITEM	PART NUMBER	DESCRIPTION	QTY
1	242-79-00-199	BIPOD LEG CHAIN	1
2	242-79-00-198	BIPOD LEG CLIP	2

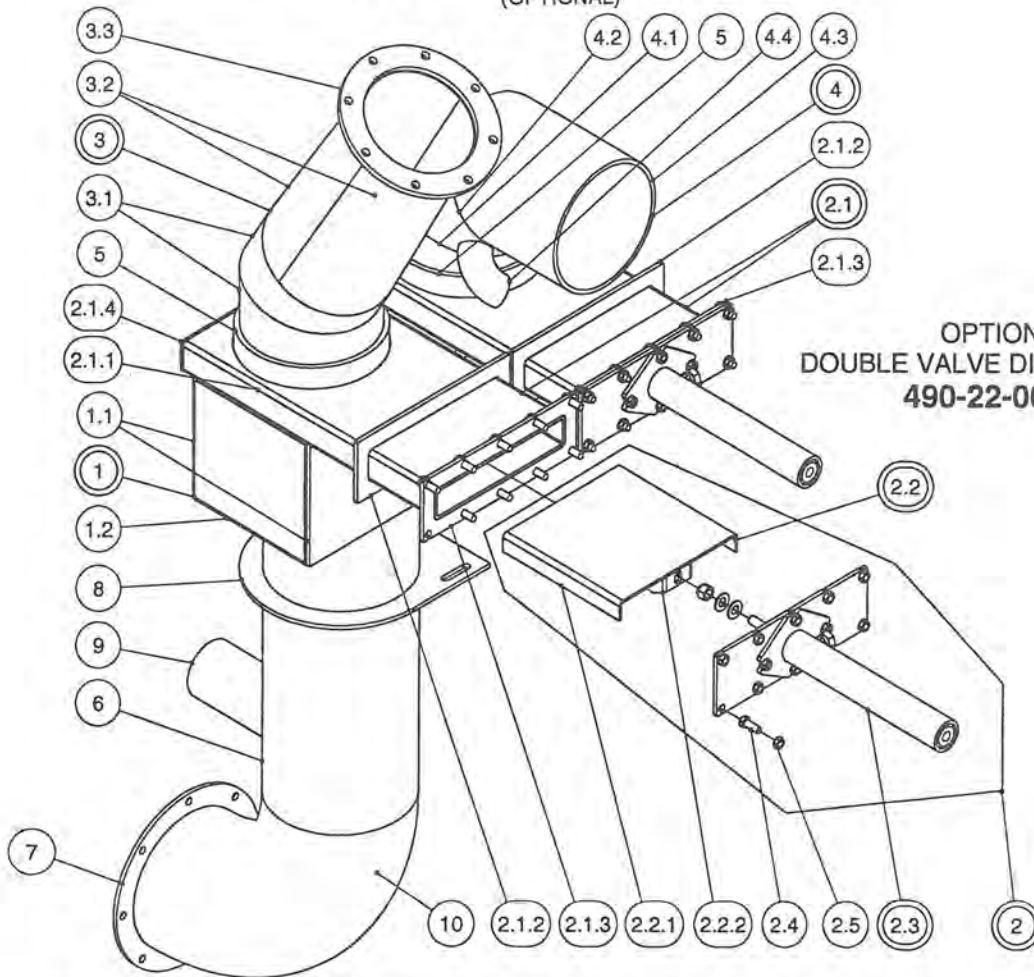
HAIR PIN
R07948



PARTS LIST			
ITEM	PART NUMBER	DESCRIPTION	QTY
1	R07948	5/32 HAIR PIN	1

DOUBLE VALVE DISCHARGE KIT

(OPTIONAL)

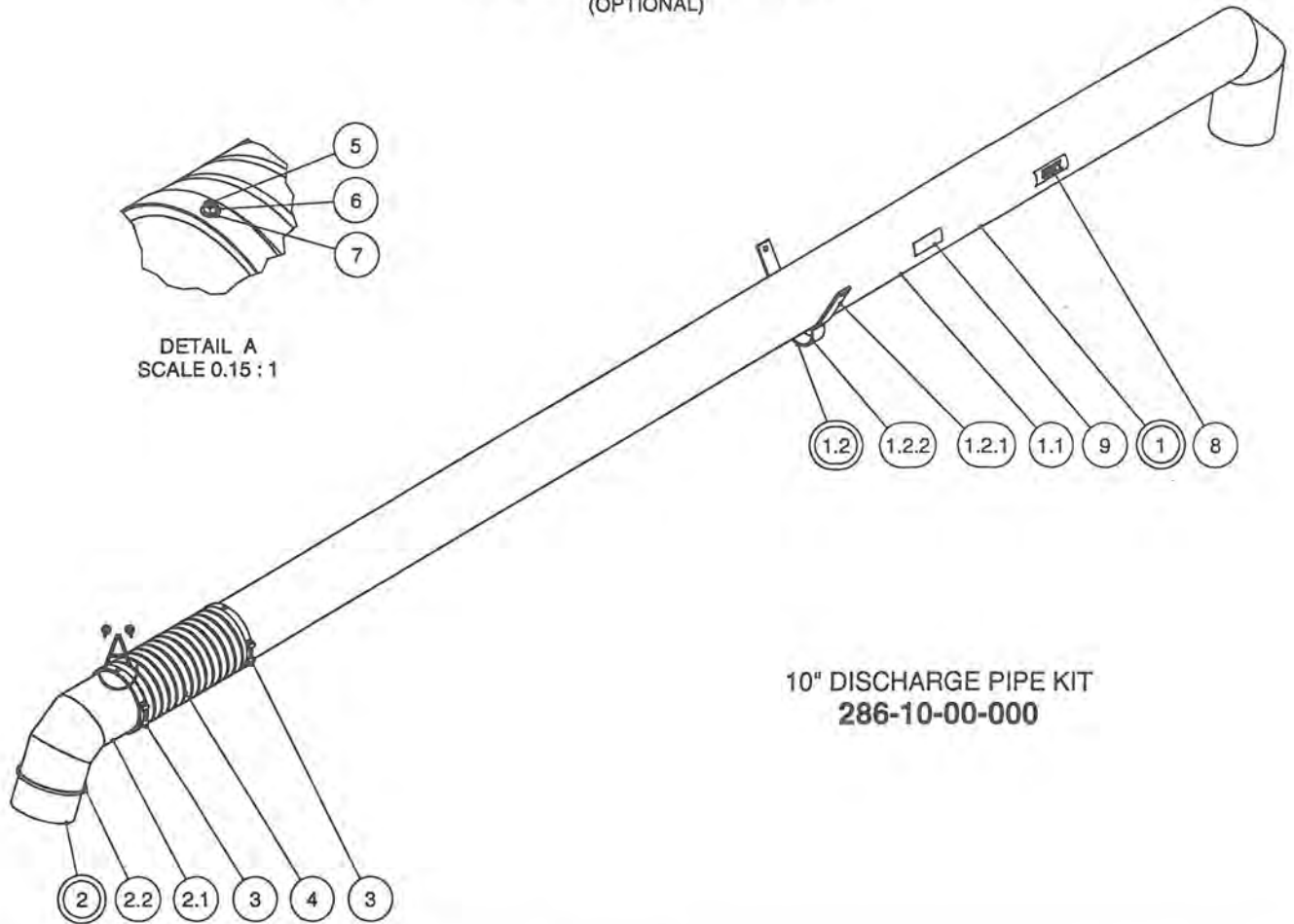


OPTIONAL
DOUBLE VALVE DISCHARGE KIT
490-22-00-000

PARTS LIST

ITEM	PART NUMBER	DESCRIPTION	QTY
1	490-22-01-000	DISTRIBUTION BOX ASSY	1
1.1	490-22-01-119	DISTRIBUTOR BOX TOP	1
1.2	490-22-01-120	DISTRIBUTOR BOX BOTTOM	1
2	244-25-00-000	VALVE AND CYLINDER COMPLETE	2
2.1	244-14-01-000	VALVE BODY ASSY	1
2.1.1	244-14-01-323	VALVE BODY	1
2.1.2	244-14-01-324	VALVE BODY SUPPORT	1
2.1.3	242-97-00-231	VALVE INNER FLANGE	1
2.1.4	242-97-00-230	VALVE END CAP	1
2.2	242-36-42-000	VALVE GATE ASSY	1
2.2.1	242-36-42-268	VALVE GATE	1
2.2.2	242-36-42-269	VALVE GATE BRKT	1
2.3	244-26-00-000	HYDRAULIC CYLINDER KIT	1
2.4	R07619	3/8 x 1 HEX BOLT	10
2.5	R07794	3/8 FLANGE NUT	10
3	490-02-01-000	AGITATOR EXTENSION PIPE ASSY	1
3.1	490-02-01-013	ELBOW PC	2
3.2	490-02-01-014	CONE HALF	2
3.3	296-06-00-102	FLANGE	1
4	490-02-03-000	VALVE ELBOW ASSY	1
4.1	490-02-03-009	ELBOW BASE PC	1
4.2	490-02-03-010	ELBOW MIDDLE PC	1
4.3	490-02-03-012	ELBOW TOP PC	1
4.4	R02946	1 1/2" WELD ELBOW	1
5	242-93-23-224	CONE MOUNT	2
6	490-22-00-118	VERTICAL DISCHARGE PIPE	1
7	490-01-00-006	HOUSING FLANGE	1
8	490-02-00-015	VERTICAL PIPE HOLDER	1
9	490-02-00-008	3" AGITATOR PIPE	1
10	R02935	8" WELD ELBOW	1

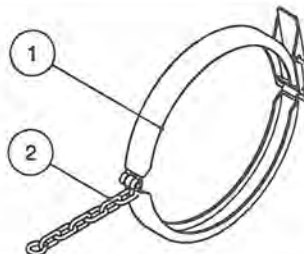
**10" DISCHARGE PIPE KIT
(OPTIONAL)**



**10" DISCHARGE PIPE KIT
286-10-00-000**

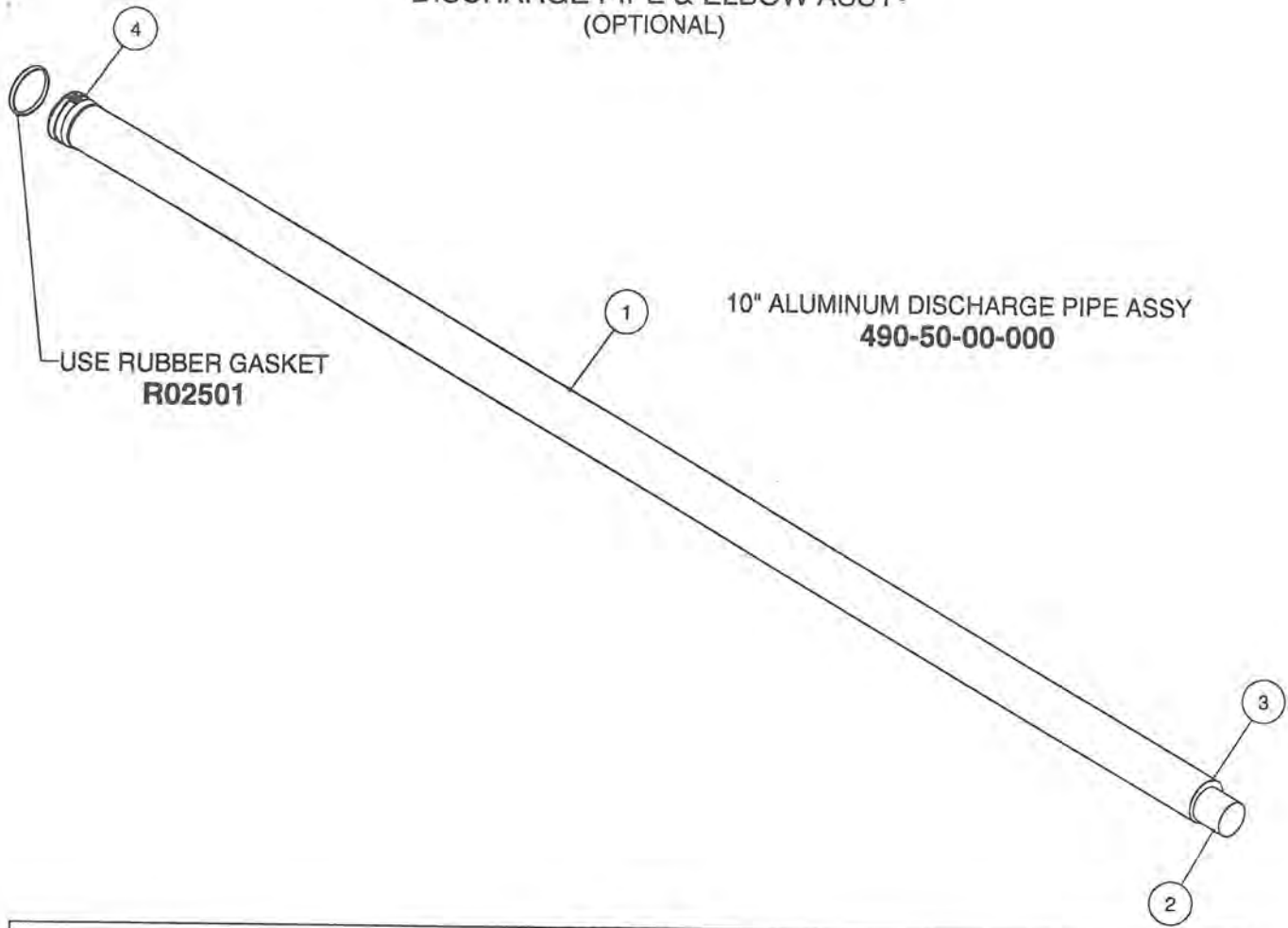
PARTS LIST			
ITEM	PART NUMBER	DESCRIPTION	QTY
1	286-10-01-000	20 FT DISCHARGE PIPE ASSY - 10"	1
1.1	286-10-01-045	DISCHARGE PIPE	1
1.2	286-10-03-000	DISCHARGE PIPE HOOK ASSY	1
1.2.1	286-10-03-060	DISCHARGE PIPE HOOK	1
1.2.2	286-10-03-061	LOWER DISCHARGE HOOK	1
2	286-10-02-000	10" ALUMINUM PUMP ELBOW ASSY	1
2.1	286-10-02-044	10" ALUMINUM PIPE ELBOW	1
2.2	R02504	10 ALUM. BANDLOCK RING	1
3	R02492	10" SUPER CLAMP	2
4	286-10-00-047	10" FLEX HOSE	1
5	R07677	1/4 x 3/4 HEX BOLT	4
6	R07781	1/4 HEX NUT	4
7	R07821	1/4 FLAT WASHER	4
8	R09502	"HUSKY" DECAL	1
9	R09690	"TIE DOWN" DECAL	1

**10" BANDLOC CLAMP ASSY
286-13-00-000**



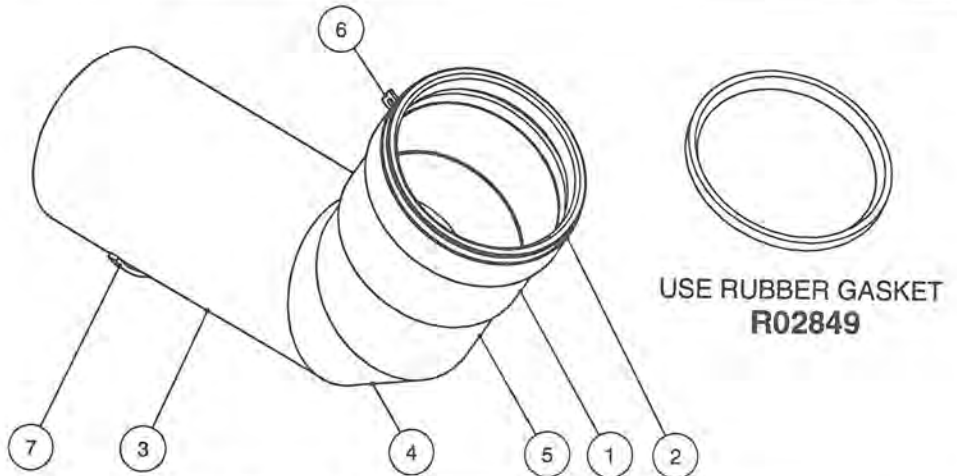
PARTS LIST			
ITEM	PART NUMBER	DESCRIPTION	QTY
1	R02500	10" BANDLOC CLAMP	1
2	250-97-00-297	CLAMP CHAIN	1

DISCHARGE PIPE & ELBOW ASSY.
(OPTIONAL)



PARTS LIST			
ITEM	PART NUMBER	DESCRIPTION	QTY
1	490-50-00-191	10" ALUMINUM DISCHARGE PIPE	1
2	490-50-00-192	8" ALUMINUM ADAPTER PC	1
3	290-00-00-313	10" TO 8" REDUCER PLATE	1
4	R02847	10" ALUMINUM BELL END	1

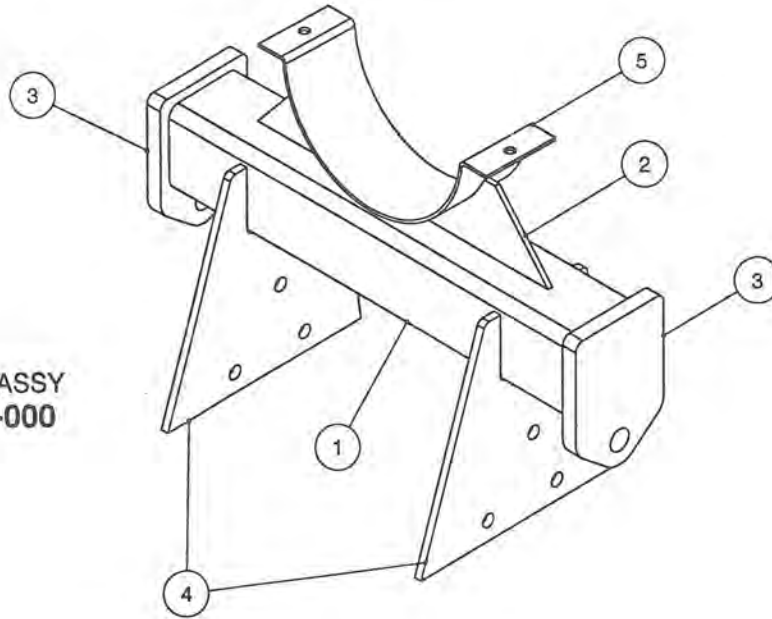
10" UPPER DISCHARGE
PIPE ELBOW ASSY
490-51-00-000



PARTS LIST			
ITEM	PART NUMBER	DESCRIPTION	QTY
1	286-04-00-030	OUTER EXTENSION PIPE	1
2	286-04-00-029	UPPER COUPLING BASE	1
3	490-51-00-193	ELBOW BOTTOM PC	1
4	490-51-00-194	ELBOW MIDDLE PC	1
5	490-51-00-195	ELBOW TOP PC	1
6	250-96-00-298	CHAIN LUG	1
7	490-51-00-196	10" STOP	1

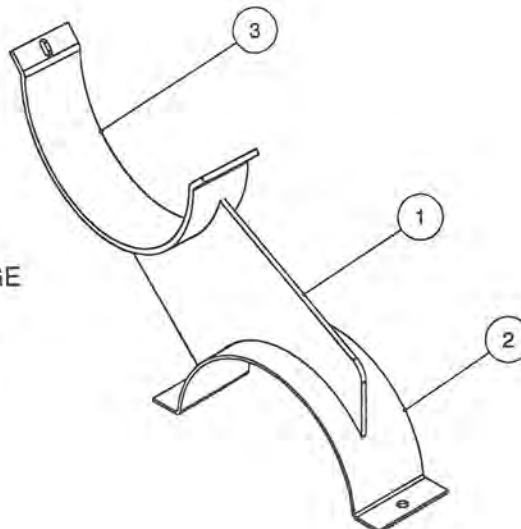
**10" TIE BAR & PIPE HOLDER ASSY
(OPTIONAL)**

**10" TIE BAR ASSY
490-42-00-000**



PARTS LIST			
ITEM	PART NUMBER	DESCRIPTION	QTY
1	490-16-11-180	CROSS TUBE	1
2	490-42-00-169	10" SUPPORT HOLDER	1
3	490-16-11-182	CYLINDER LUG	2
4	490-16-11-185	ATTACHMENT PLATE	2
5	291-09-00-317	10" SHORT DISCHARGE SUPPORT	1

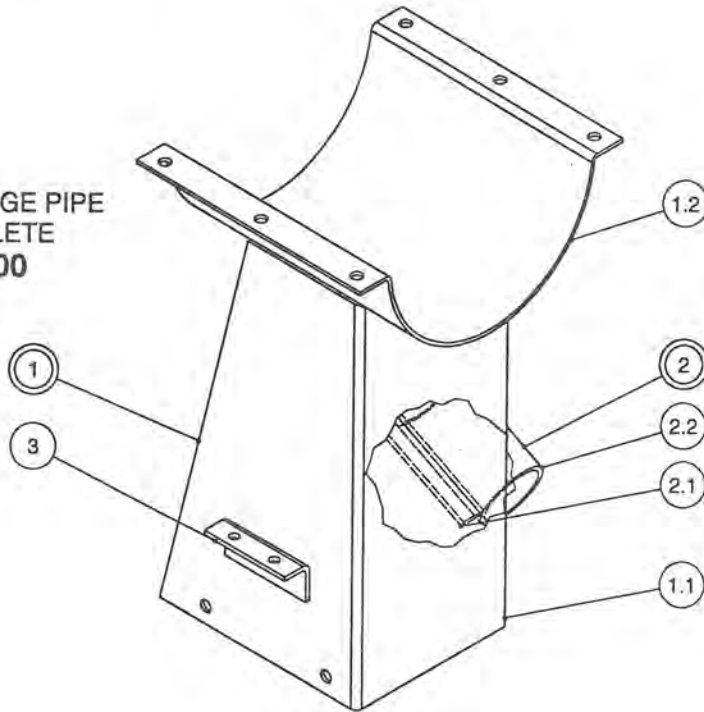
**10" LOWER DISCHARGE
PIPE HOLDER ASSY
490-43-00-000**



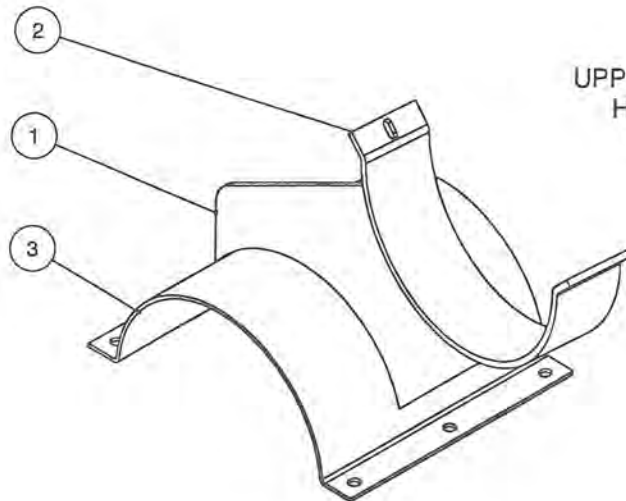
PARTS LIST			
ITEM	PART NUMBER	DESCRIPTION	QTY
1	490-43-00-170	ATTACHMENT PLATE - 10" PIPE	1
2	291-09-00-317	10" SHORT DISCHARGE SUPPORT	1
3	291-10-00-319	10" CENTER DISCHARGE PIPE HOLDER	1

**10" UPPER DISCHARGE PIPE HOLDER ASSY
(OPTIONAL)**

**10" UPPER DISCHARGE PIPE
HOLDER COMPLETE
490-48-00-000**



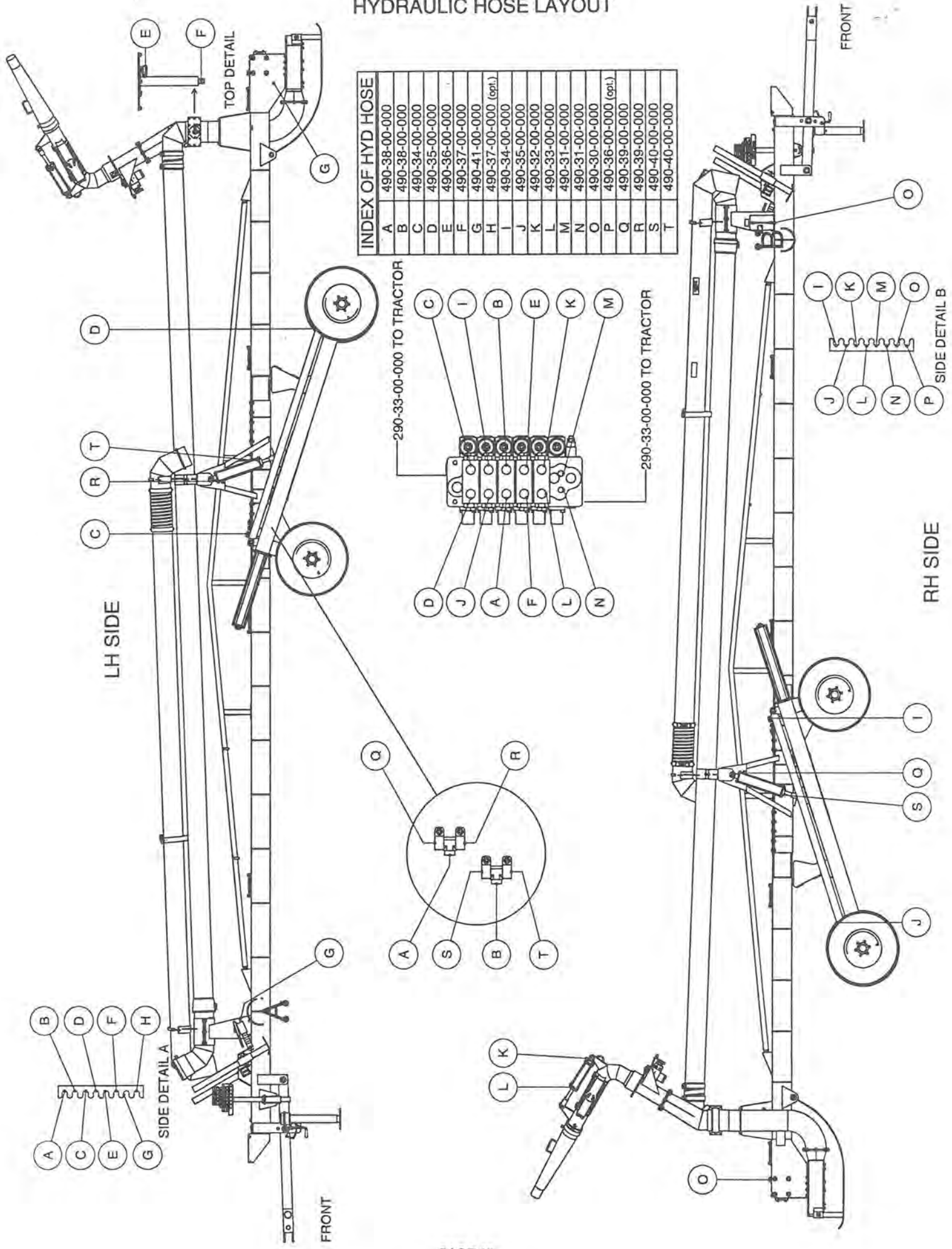
PARTS LIST			
ITEM	PART NUMBER	DESCRIPTION	QTY
1	291-08-00-000	10" UPPER DISCHARGE PIPE HOLDER ASSY	1
1.1	291-08-00-314	10 GA HR SHEET	1
1.2	291-08-00-315	10" CLAMP BRKT	1
2	291-07-08-000	GREASE GUN MOUNT PLATE	1
2.1	291-07-08-310	GREASE GUN HOLDER STANDOFF	1
2.2	291-07-08-309	GREASE GUN HOLDER	1
3	490-21-00-106	ATTACHMENT BRKT	1



**UPPER DISCHARGE PIPE
HOLDER ASSY - 10"
490-44-00-000**

PARTS LIST			
ITEM	PART NUMBER	DESCRIPTION	QTY
1	490-43-00-170	ATTACHMENT PLATE - 10" PIPE	1
2	291-10-00-319	10" CENTER DISCHARGE PIPE HOLDER	1
3	291-08-00-315	10" CLAMP BRKT	1

HYDRAULIC HOSE LAYOUT



INDEX OF HYD HOSE	
A	490-38-00-000
B	490-38-00-000
C	490-34-00-000
D	490-35-00-000
E	490-36-00-000
F	490-37-00-000
G	490-41-00-000
H	490-37-00-000 (opt.)
I	490-34-00-000
J	490-35-00-000
K	490-32-00-000
L	490-33-00-000
M	490-31-00-000
N	490-30-00-000
O	490-36-00-000 (opt.)
P	490-39-00-000
Q	490-39-00-000
R	490-39-00-000
S	490-40-00-000
T	490-40-00-000

