

Date Purchased \_\_\_\_\_ Machine Serial No. \_\_\_\_\_

Size of Pump \_\_\_\_\_ Options \_\_\_\_\_

The key number system in this parts book is arranged as follows:

- Key numbers with two circles denotes main assemblies.
- Key numbers with one circle are individual parts

Please order parts by number



## **TIGER 6” LAGOON**

### **HUSKY LIQUID MANURE PUMP**

**296-00-00-000 – 32 FT**

**297-00-00-000 – 40 FT**

#### **OPERATING INSTRUCTIONS:**

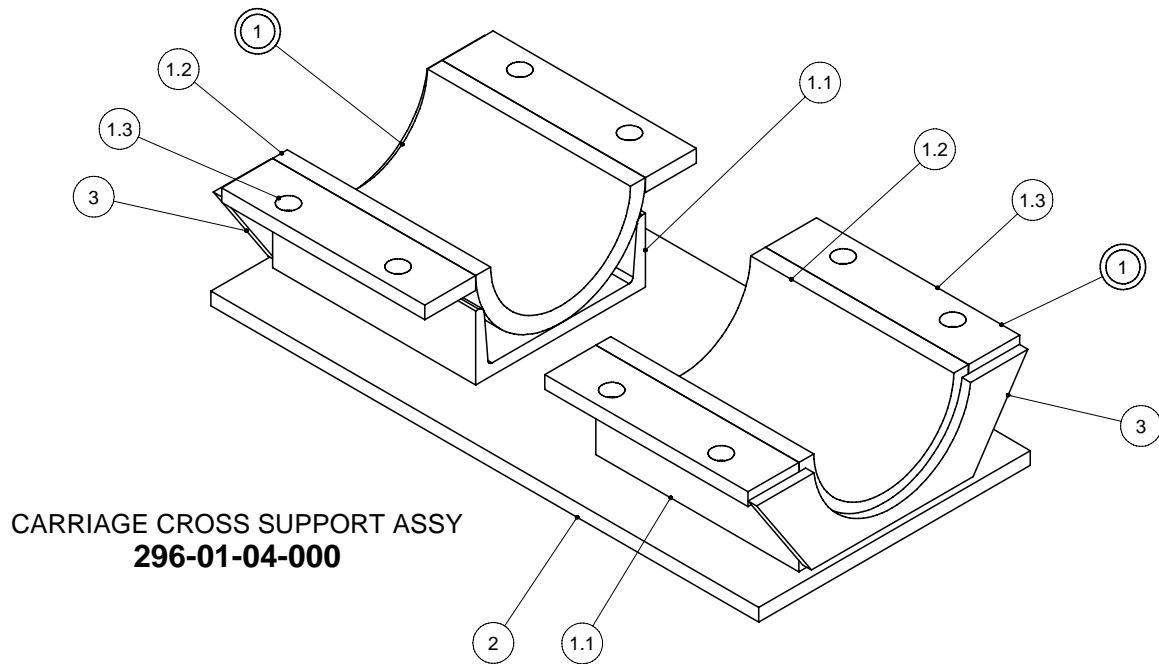
1. Lagoon pump is designed to run at 540 RPM and will consume up to 70 HP.
2. Always check PTO that both knuckles have equal amount of bend when working – if not adjust tongue angle accordingly.
3. Do not try and extend wheels if pump is under heavy crust as it may collapse the undercarriage.
4. Before operating the pump, extend stabilizer legs to support the pump while agitating. If not supported, pump could roll over while agitating.
5. Make sure discharge pipe is securely fastened to pump prior to pumping.
6. Do not over rev. tractor while pumping as discharge spout will lift into air. Always tie down discharge pipe.
7. Always remove pump from pit and wash off thoroughly after each use.
8. **EXTREME DANGER** – Never enter a dirty manure spreader or storage tank – one breath of hydrogen sulphide gas is enough to kill. Have a ladder in your pit, so that if by accident you should fall in, you can get out.
9. For open centre hydraulic tractors, use short plug on right hand end of hydraulic valve. For closed centre hydraulics use long plug with O ring. (Oil must flow in left hand end of valve).



# MAIN SHAFT TUBE - 32ft

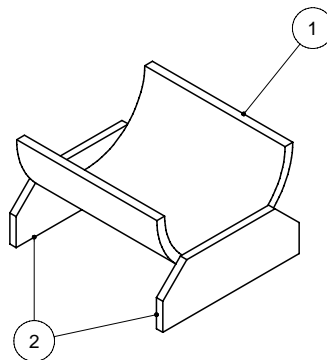
PARTS LIST				PARTS LIST			
ITEM	PART NUMBER	DESCRIPTION	QTY	ITEM	PART NUMBER	DESCRIPTION	QTY
1	296-01-00-000	UPPER DRIVE SHAFT TUBE ASSY	1	3.2	296-04-00-027	HITCH SLEEVE	1
1.1	296-01-06-000	LH ADJUSTMENT ARM ASSY	1	3.3	296-04-00-026	HITCH REINFORCING PLATE	1
1.1.1	296-01-06-101	LH ADJUSTMENT ARM	1	4	296-05-00-000	UPPER BRG HOLDER ASSY	3
1.1.2	364-35-00-245	TONGUE JACK BRKT	1	4.1	296-05-00-029	UPPER BRG COVER	1
1.2	296-01-05-000	BEARING BASE ASSY	3	4.2	296-01-05-017	BEARING HOLDER HALF	1
1.3	296-01-02-000	CYLINDER BRKT ASSY	2	4.3	296-05-00-028	UPPER RETAINER PLATE	2
1.3.1	296-01-02-008	CYLINDER BRKT BACK PLATE	1	5	290-13-00-000	CROSS SUPPORT TOP CLAMP ASSY	2
1.3.2	296-01-02-009	CYLINDER BRKT	1	5.1	290-13-00-056	HALF TUBE w/ GREASE FTG HOLE	1
1.3.3	296-01-02-010	CYLINDER BRKT GUSSET	2	5.2	290-13-00-055	FLANGE	2
1.4	296-01-04-000	CARRIAGE CROSS SUPPORT ASSY	1	5.3	290-13-00-173	CLAMP SUPPORT	2
1.5	296-01-03-000	DISCHARGE ADJUSTMENT SLEEVE ASSY	2	6	R09751	7000LB SIDE WIND JACK	1
				7	296-00-00-033	PTO GUARD	1
1.5.1	296-01-03-012	ADJUSTMENT SLEEVE	1	8	R09071	SERIAL NUMBER PLATE	1
1.5.2	R07795^	1/2" UNC FLANGE NUT	1	9	R08152	#6 x 1/4" PAN HD SOCKET SCREW	2
1.6	296-01-01-000	TONGUE PIVOT ARM ASSY	2	10	R20236	1 3/4" SPLIT BEARING	3
1.6.1	296-01-01-006	PIVOT ARM BUSHING	1	11	296-00-00-030	TUBE COVER PLATE	3
1.6.2	296-01-01-005	PIVOT ARM	1	12	R07806^	5/8 LOCK WASHER	6
1.7	296-01-00-104	TUBE REINFORCING PLATE	1	13	R07786^	5/8 HEX NUT	6
1.8	296-01-00-002	BEARING FLANGE	1	14	R07784^	7/16 HEX NUT	6
1.9	296-01-00-001	UPPER DRIVE SHAFT TUBE	1	15	R07671^	7/16 x 1 1/4 HEX BOLT	6
1.10	296-01-00-004	ADJUSTMENT ARMS	1	16	R07805^	1/2 LOCK WASHER	12
1.11	290-32-00-121	PTO HOLDER	1	17	R07785^	1/2 HEX NUT	12
1.12	296-01-00-011	UPPER REINFORCING ROD BRKT	1	18	R07638^	1/2 x 1 1/2 HEX BOLT	8
1.13	296-01-00-015	LOWER FLANGE	1	19	R08183	1/4" - 28 STRAIGHT GREASE FITTING	2
1.14	296-01-00-014	CROSS SUPPORT GUSSET	2	20	R20188	1 3/4" - 4 BOLT FLANGE BEARING	1
1.15	296-01-00-106	LOWER REINFORCING PLATE	2	21	296-00-00-031	UPPER DRIVE SHAFT	1
1.16	296-01-00-003	PTO GUARD MOUNT	1	22	270-00-00-075	3/8" KEY - 51.00 mm LONG	1
1.17	296-01-00-016	CAP REDDI THREAD	6	23	296-00-00-100	PIVOT PIN	1
1.18	296-01-00-131	PIVOT PLATE	1	24	R09785	"DANGER ROTATING DRIVELINE"	1
1.19	340-01-00-498	SERIAL NO. BACK PLATE	1			DECAL	
1.20	R07638^	1/2 x 1 1/2 HEX BOLT	4	25	R09582	GREASE SYMBOL DECAL	1
1.21	490-03-00-190	2 SLOT HYD HOSE HOLDER-DB	5	26	R07828	1 FLAT WASHER STD - ZINC	4
1.22	495-03-00-024 DB	6 SLOT HYD HOSE HOLDER-DB	7	27	R07859	1-8 UNC x 9 HEX BOLT GR.5	1
2	296-03-00-000	TONGUE ASSY	1	28	R07882	1-8 UNC 2-WAY LOCK NUT - ZINC	3
2.1	296-03-00-021	TONGUE TUBE	1	29	R08285	1-8 UNC x 10 HEX BOLT GR.5	1
2.2	296-03-00-023	ADJUSTMENT BUSHING	1	30	R07668	1-8 UNC x 7 HEX BOLT GR.5	1
2.3	296-03-00-022	TONGUE PLATE	2	31	R07675	3/8-16 UNC x 1.25 HEX BOLT GR.5	2
2.4	296-03-00-024	TONGUE PIVOT BUSHING	1	32	280-00-00-052	SPACER PIPE	1
3	296-04-00-000	HITCH ASSY	1	33	R07886	3/8-16 UNC 2-WAY LOCK NUT - ZINC	2
3.1	296-04-00-025	HITCH	1				

## CARRIAGE CROSS SUPPORT & BEARING HOLDER



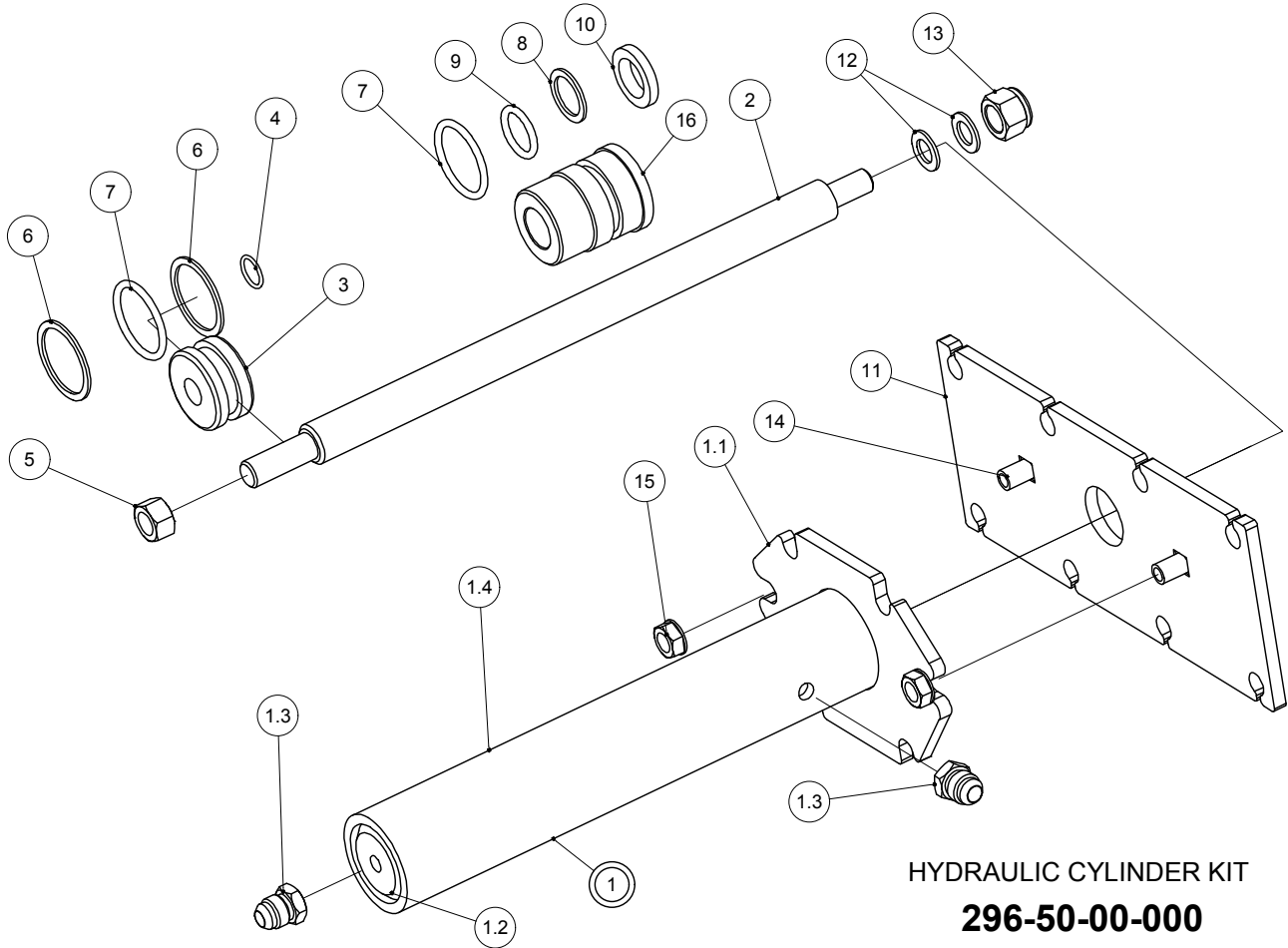
PARTS LIST			
ITEM	PART NUMBER	DESCRIPTION	QTY
1	290-12-01-000	SADDLE ASSY	2
1.1	290-12-01-053	CROSS SUPPORT CHANNEL	1
1.2	290-12-01-054	CROSS SUPPORT HALF TUBE	1
1.3	290-13-00-055	FLANGE	2
2	296-01-04-013	CROSS SUPPORT PLATE	1
3	290-12-00-172	CROSS SUPPORT REIN. PLATE	2

**BEARING BASE ASSY**  
**296-01-05-000**



PARTS LIST			
ITEM	PART NUMBER	DESCRIPTION	QTY
1	296-01-05-017	BEARING HOLDER HALF	1
2	296-01-05-018	LOWER STAND	2

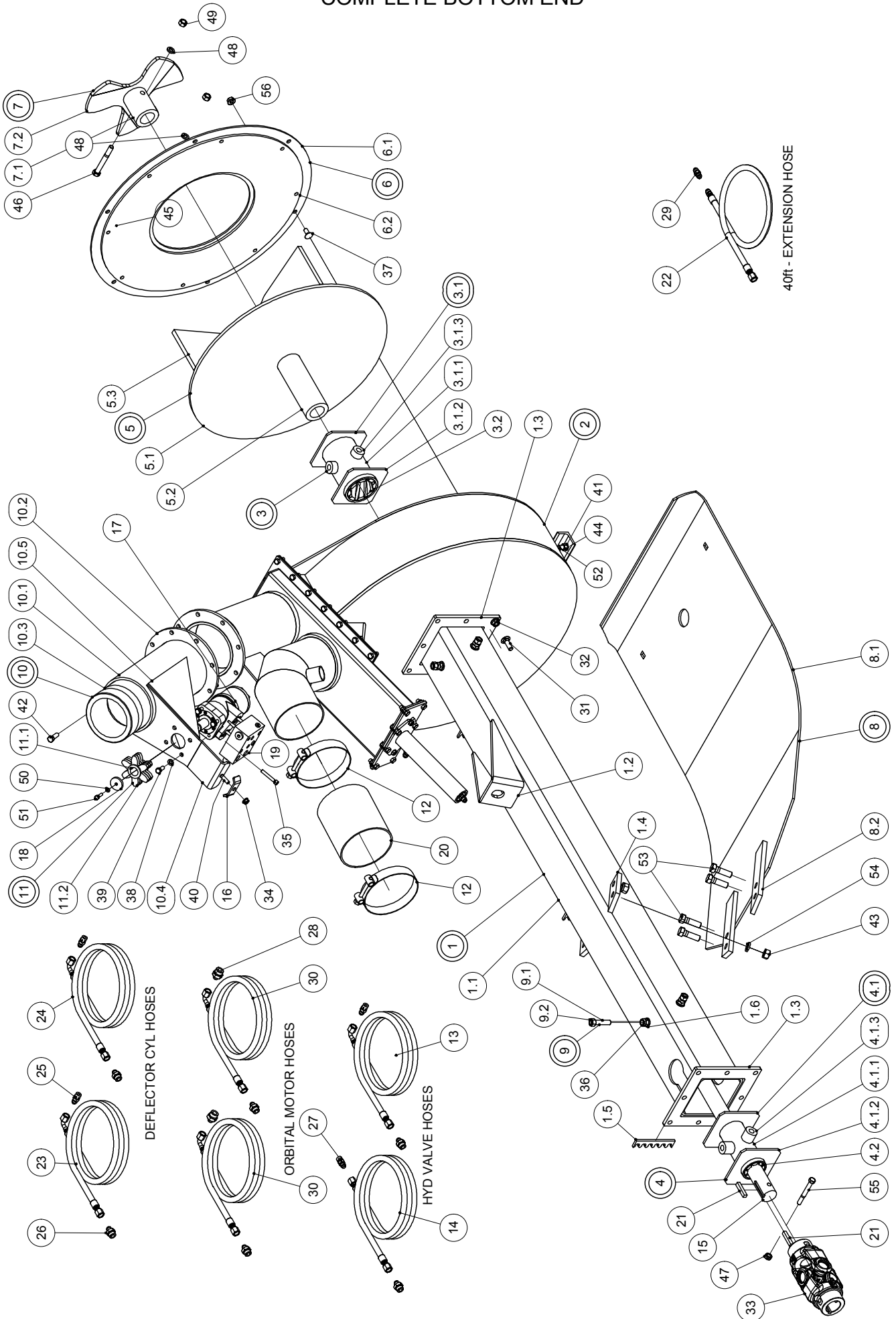
## HYDRAULIC CYLINDER KIT



**HYDRAULIC CYLINDER KIT**  
**296-50-00-000**

PARTS LIST			
ITEM	PART NUMBER	DESCRIPTION	QTY
1	296-50-01-000	HYD CYLINDER AND FLANGE ASSY	1
1.1	296-39-01-122	HYDRAULIC CYL TUBE FLANGE	1
1.2	508-09-01-041	CYL END CAP - JIC	1
1.3	R23151	3/8" M. JIC WELD FITTING	2
1.4	296-50-01-152	1 1/2" x 8" CYL TUBE - JIC	1
2	296-00-00-045	HYDRAULIC CYLINDER SHAFT	1
3	340-36-00-435	CYLINDER PLUNGER	1
4	R20865	O-RING #11-014	1
5	R08228^	7/16 S.S. NYLOCK NUT	1
6	R20867	BACKUP RING #8-218	2
7	R20866	O-RING #11-218	2
8	R20862	3/4" BACKUP #210	1
9	R20771	O-RING #11-210	1
10	R20774	3/4" HYTREL ROD WIPER 52-750	1
11	296-39-00-123	CYLINDER FLANGE	1
12	R08221^	7/16 SS FLAT WASHER	2
13	R08229^	1/2" S.S. NYLOC HEX NUT	1
14	R07776^	3/8" x 3/4" CARRIAGE BOLT	2
15	R07794^	3/8 FLANGE NUT	2
16	508-09-00-039	WIPER BLOCK - JIC	1

# COMPLETE BOTTOM END



DEFLECTOR CYL HOSES

ORBITAL MOTOR HOSES

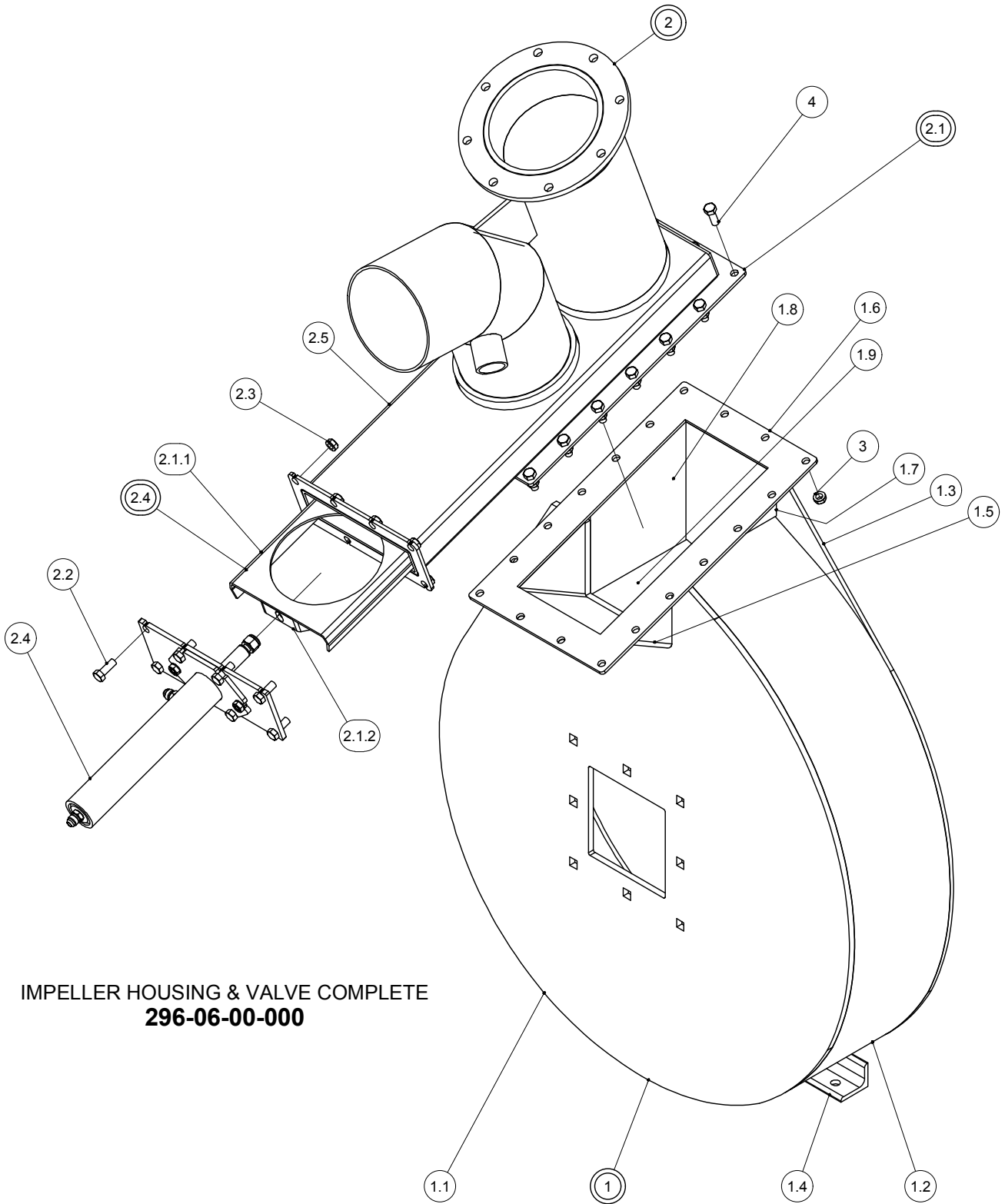
HYD VALVE HOSES

40ft - EXTENSION HOSE

# COMPLETE BOTTOM END

PARTS LIST				PARTS LIST			
ITEM	PART NUMBER	DESCRIPTION	QTY	ITEM	PART NUMBER	DESCRIPTION	QTY
1	296-02-00-000	LOWER DRIVE SHAFT TUBE ASSY	1	12	R02482	6" HOSE CLAMP	2
1.1	296-02-00-019	LOWER DRIVE SHAFT TUBE	1	13	296-43-00-000	CONTROL TO HYD VALVE HOSE ASSY	1
1.2	296-02-00-020	LOWER REINFORCING ROD BRKT	1	14	296-44-00-000	CONTOL TO HYD VALVE - SHORT HOSE ASSY	1
1.3	296-01-00-015	LOWER FLANGE	2	15	296-00-00-032	LOWER DRIVE SHAFT	1
1.4	270-01-00-236	SLIDE ARM BRKT	2	16	290-00-00-167	HYDRAULIC HOSE CLIP	1
1.5	495-03-00-024 DB	6 SLOT HYD HOSE HOLDER-DB	3	17	R22255	M&S HYD MOTOR MLHPQ400C4UPE	1
1.6	R08304	1/2-13 UNC FLANGE NUT - SS	4	18	290-00-00-098	SLEEVE CAP	1
2	296-06-00-000	IMPELLER HOUSING & VALVE COMPLETE	1	19	R22256	OVER CENTER VALVE - M&S MOTOR	1
3	296-09-00-000	2 3/4" MARINE BRG & HOLDER COMPLETE	1	20	296-00-00-071	GREEN HD CONTRACTOR HOSE	1
3.1	296-09-01-000	2 3/4" BEARING HOLDER ASSY	1	21	270-00-00-075	3/8" KEY - 51.00 mm LONG	2
3.1.1	244-13-01-320	HOLDER TUBE	1	22	297-04-00-000	1/4" HYD HOSE ASSY - 40ft EXT. (40ft only)	6
3.1.2	296-09-01-052	LARGE MARINE BEARING HOLDER FLANGE	2	23	296-45-00-000	1/4" HYD HOSE ASSY - CTL TO DEFLECTOR CYL	1
3.1.3	244-13-01-322	SET SCREW SEAT	2	24	296-46-00-000	HYD HOSE ASSY - CON TO DEFL CYL - SHORT	1
3.2	R20224	H5000 2 3/4" URETHENE FOR BRG	1	25	R23052	3/8"JICM X 3/8"NPTM 6MJ-6MP	3
4	296-08-00-000	MARINE BRG & HOLDER COMPLETE	1	26	R23091	ORB-8 X 3/8" JIC M ADAPTOR	6
4.1	296-08-01-000	MARINE BEARING HOLDER ASSY	1	27	R23189	3/8" JIC X 3/8" NPT MALE RESTRICTOR	1
4.1.1	250-76-34-180	URETHANE BRG SLEEVE	1	28	R23094	ORB-10 x 3/8" JIC M ADAPTOR	2
4.1.2	296-08-01-051	1 3/4" MARINE BEARING FLANGE	2	29	R23070	3/8"M X 38"M JIC NIPPLE 6MJ-6MJ	1
4.1.3	242-22-27-236	SET SCREW SLEEVE	2	30	296-30-00-000	HYDRAULIC HOSE ASSY	2
4.2	R20280	URETHANE	1	31	R07777	1/2-13 UNC x 1.5 CARRIAGE BOLT Gr.5	8
5	296-11-00-000	IMPELLER ASSY	1	32	R07795	1/2-13 UNC FLANGE NUT - ZINC	1
5.1	296-11-00-055	IMPELLER BACK PLATE	1	33	R23556	PROP KNUCKLE ASSY-1-3/4" RD x 1-3/4" RD	1
5.2	244-18-00-331	IMPELLER SLEEVE	1	34	R07794	3/8-16 UNC FLANGE NUT - ZINC	1
5.3	296-11-00-056	IMPELLER BLADE	4	35	R08334	5/16-18 UNC x 2 SHCS - BLK	4
6	296-10-00-000	COVER PLATE ASSY	1	36	R08046	1/2-13 UNC HEX JAM NUT - ZINC	4
6.1	296-10-00-053	COVER PLATE	1	37	R07731	7/16-14 UNC x 1 CARRIAGE BOLT Gr.5	6
6.2	296-10-00-054	COVER PLATE SUPPORT	1	38	R07803	3/8 LOCK WASHER - ZINC	4
7	296-12-00-000	CHOPPER ASSY	1	39	R07670	3/8-16 UNC x 0.875 HEX BOLT GR.5	4
7.1	296-12-00-058	CHOPPER HUB	1	40	R07620	3/8-16 UNC x 1.5 HEX BOLT GR.5	1
7.2	296-12-00-059	CHOPPER	1	41	R07804	7/16 LOCK WASHER - ZINC	3
8	296-07-00-000	SLIDE ASSY	1	42	R07671	7/16-14 UNC x 1.25 HEX BOLT GR.5	8
8.1	290-36-00-129	SLIDE	1	43	R07786	5/8-11 UNC HEX NUT - ZINC	4
8.2	290-36-00-130	SLIDE BRKT	2	44	R07784	7/16-14 UNC HEX NUT - ZINC	3
9	250-59-00-000	SET SCREW ASSY	4	45	R07641	1/2-13 UNC x 3 HEX BOLT GR.5	1
9.1	250-59-00-141	SS SET SCREW REDDI ROD	1	46	R07643	1/2-13 UNC x 4 HEX BOLT GR.5	1
9.2	R08235	1/2-13 UNC HEX NUT - SS	1	47	R07891	7/16-14 UNC 2-WAY LOCK NUT - ZINC	1
10	296-06-06-000	VALVE TO ROTATOR PIPE ASSY	1	48	R07805	1/2 LOCK WASHER - ZINC	2
10.1	296-06-06-049	LONG EXTENSION PIPE	1	49	R07785	1/2-13 UNC HEX NUT - ZINC	2
10.2	296-06-00-102	FLANGE	1	50	R07801	1/4 LOCK WASHER - ZINC	1
10.3	290-18-00-090	INNER ROLLER HOLDER	1	51	R07601	1/4-20 UNC x 1 HEX BOLT GR.5	1
10.4	296-06-07-118	HYDRAULIC MOTOR MOUNT PLATE	1	52	R07778	7/16-14 UNC x 1.5 CARRIAGE BOLT Gr.5	2
10.5	296-06-07-119	MT PLATE SIDES	2	53	R07647	5/8-11 UNC x 2 HEX BOLT GR.5	4
11	290-25-00-000	6 TOOTH SPROCKET ASSY	1	54	R07806	5/8 LOCK WASHER - ZINC	4
11.1	290-25-00-097	SPROCKET SLEEVE	1	55	R07633	7/16-14 UNC x 3.5 HEX BOLT GR.5	1
11.2	290-25-00-096	6 TOOTH SPROCKET	3	56	R07879	7/16-14 UNC FLANGE NUT - ZINC	16

# IMPELLER HOUSING & VALVE COMPLETE



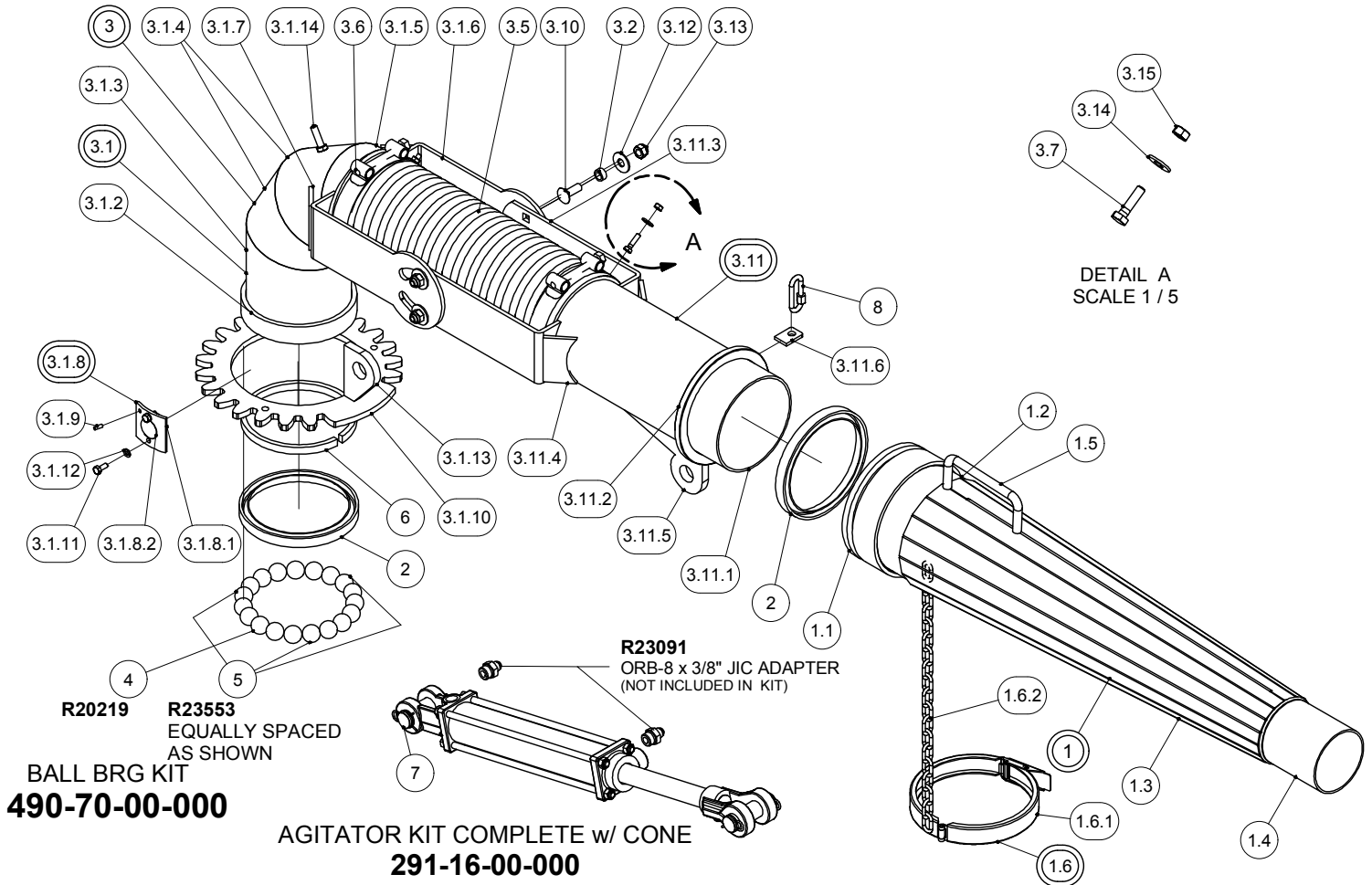
IMPELLER HOUSING & VALVE COMPLETE  
**296-06-00-000**



# IMPELLER HOUSING & VALVE COMPLETE

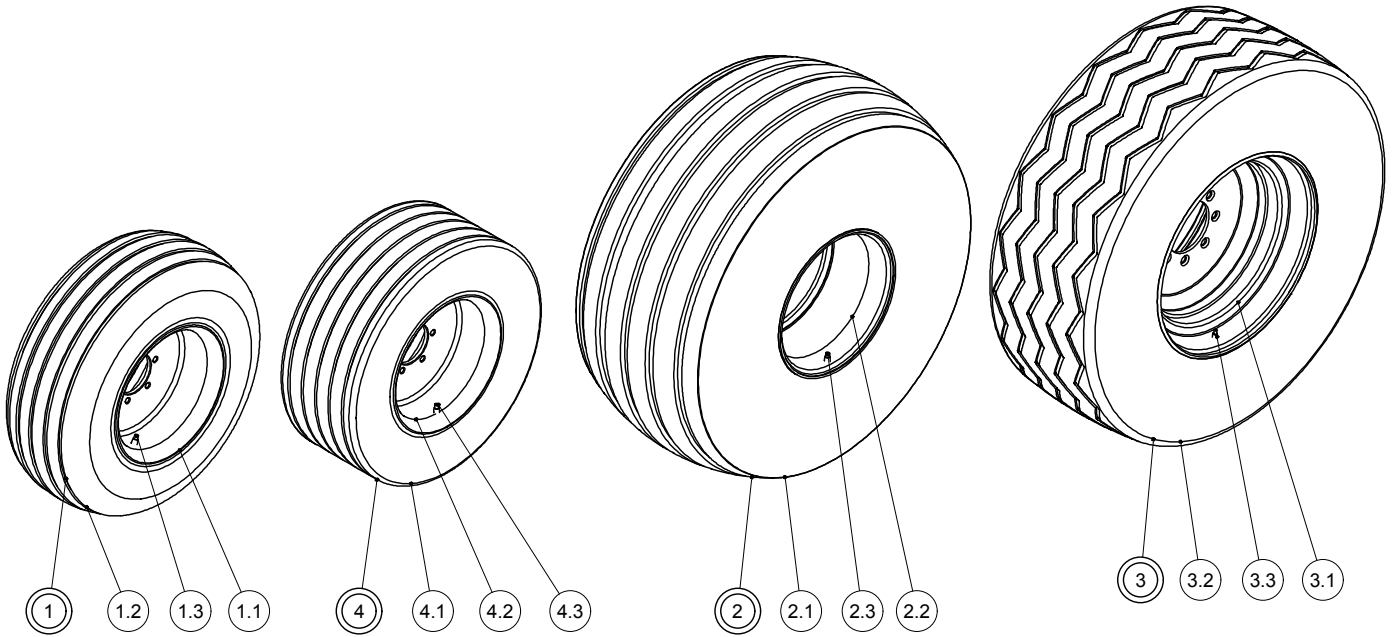
PARTS LIST			
ITEM	PART NUMBER	DESCRIPTION	QTY
1	296-06-01-000	BOLT ON IMPELLER HOUSING	1
1.1	296-06-01-035	HOUSING UPPER PLATE	1
1.2	296-06-01-036	HOUSING BAND	1
1.3	296-06-01-034	HOUSING BOTTOM PLATE	1
1.4	290-03-01-131	SLIDE HOLD DOWN ANGLE	1
1.5	296-06-01-037	HOUSING TO VALVE PLATE	1
1.6	296-06-01-129	VALVE HOUSING CONNECTOR FLANGE	1
1.7	296-06-01-039	L.H. FILLER PLATE	1
1.8	296-06-01-038	R.H. FILLER PLATE	1
1.9	296-06-01-040	FILLER PLATE	1
2	296-40-00-000	VALVE ASSY COMPL W/ JIC CYLINDER	1
2.1	296-34-00-000	VALVE GATE ASSY	1
2.1.1	296-34-00-043	VALVE GATE	1
2.1.2	296-34-00-044	VALVE GATE BRKT	1
2.2	R07619^	3/8 x 1 HEX BOLT	8
2.3	R07794^	3/8 FLANGE NUT	8
2.4	296-50-00-000	HYDRAULIC CYLINDER KIT-JIC	1
2.5	296-06-03-000	VALVE, ELBOW AND DISCHARGE ASSY	1
3	R07794^	3/8 FLANGE NUT	18
4	R07619^	3/8 x 1 HEX BOLT	16

# AGITATOR KIT COMPLETE



PARTS LIST				PARTS LIST			
ITEM	PART NUMBER	DESCRIPTION	QTY	ITEM	PART NUMBER	DESCRIPTION	QTY
1	244-12-07-000	CONE ASSY	1	3.1.12	R07801^	1/4 LOCK WASHER	2
1.1	250-96-01-296	6" COUPLING BASE TUBE	1	3.1.13	291-16-05-353	INNER CYLINDER BRKT	1
1.2	244-12-02-311	FILLER PIPE	1	3.1.14	R07675	3/8 x 1 1/4 UNC HEX BOLT	1
1.3	244-12-03-314	CONE (HALF)	2	3.2	244-05-00-281	SPACER PIPE	4
1.4	244-12-05-319	STUB TUBE	1	3.5	270-63-00-187	FLEX HOSE	1
1.5	244-12-03-341	CONE HANDLE	1	3.6	R02482	6" HOSE CLAMP	2
1.6	244-99-00-000	CLAMP & CHAIN ASSY	1	3.7	R07601^	1/4 x 1 HEX BOLT	4
1.6.1	R02487	6" RING LOCK CLAMP	1	3.10	R07774^	7/16 x 1 1/4" GR 5 CARRIAGE BOLT	4
1.6.2	244-99-00-527	CLAMP CHAIN	1	3.11	291-16-04-000	CONE EXTENSION ASSY w/ RING	1
2	R02366	6" RUBBER GASKET	2	3.11.1	291-16-04-355	EXTENSION PIPE	1
3	291-16-03-000	AGITATOR SWIVEL KIT w/ RING	1	3.11.2	250-95-00-295	CLAMP RING	1
3.1	291-16-05-000	AGITATOR ELBOW ASSY-2005	1	3.11.3	244-05-46-277	INNER PIVOT BRKT	2
3.1.1	290-30-00-128	OUTER ROLLER SLEEVE	1	3.11.4	244-05-46-301	GUSSET	2
3.1.2	290-30-00-114	FILLER PIPE	1	3.11.5	291-16-04-356	CYLINDER BRKT	1
3.1.3	290-30-00-115	ELBOW BASE PC	1	3.11.6	250-96-00-298	CHAIN LUG	1
3.1.4	290-30-00-116	ELBOW MIDDLE PC	2	3.12	R07824	7/16 FLAT WASHER STD - ZINC	4
3.1.5	290-30-00-117	ELBOW TOP PC	1	3.13	R08178	7/16-14 UNC NYLOCK NUT - ZINC	4
3.1.6	244-05-43-276	MAIN PIVOT BRKT	2	3.14	R07821	1/4 FLAT WASHER STD - ZINC	4
3.1.7	244-05-46-301	GUSSET	2	3.15	R07781	1/4-20 UNC HEX NUT - ZINC	4
3.1.8	275-05-00-000	CAP ASSY	1	4	R20219	1" NYLON BALL	16
3.1.8.1	275-05-00-032	CAP PLATE	1	5	R23553	1" 316 STAINLESS BALL	3
3.1.8.2	275-05-00-031	CAP PLUG	1	6	291-16-00-358	ROTATE GUIDE SLEEVE	1
3.1.9	R08237^	3/16 x 1/2 SS ROLL PIN	1	7	2 x 10 CYLINDER	20TH10 HYD CYL-ORB	1
3.1.10	290-30-00-118	ROTATOR SPROCKET	1		- ORB		
3.1.11	R08233^	1/4 x 5/8 SS HEX CAP SCREW	2	8	R08435	1/4" QUICK LINK	1

## TIRES AND WHEELS



**11L x 15 TIRE & WHEEL ASSY  
290-31-00-00**

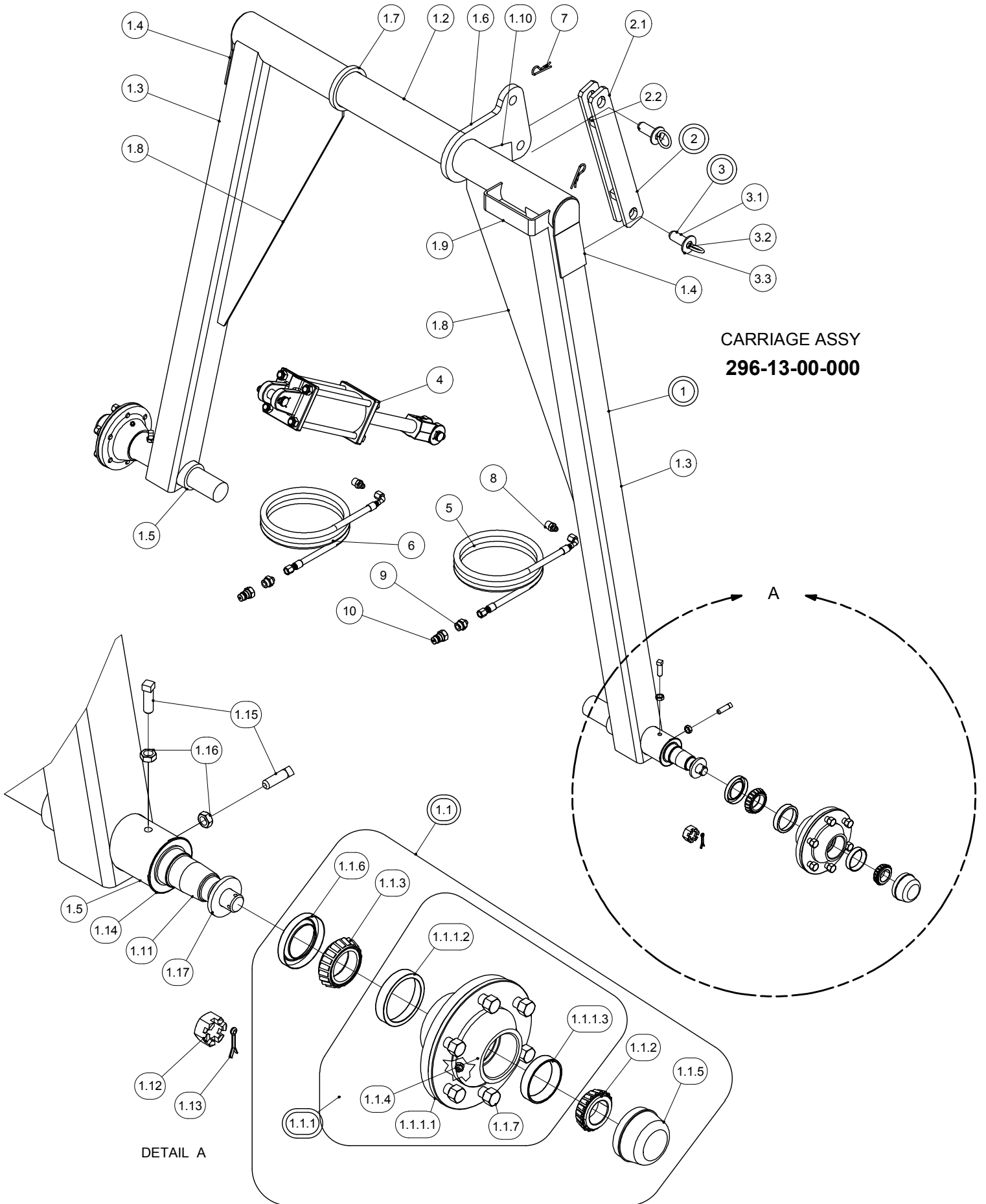
**P275/60R15 TIRE & WHEEL ASSY  
247-07-00-000**

**21.5L x 16.1 TIRE & WHEEL ASSY  
325-64-00-00**

**18L x 22.5 TIRE & WHEEL ASSY  
340-55-00-000**

PARTS LIST			
ITEM	PART NUMBER	DESCRIPTION	QTY
1	290-31-00-000	11L x 15 TIRE AND WHEEL ASSY	1
1.1	R20045	15 x 8 x 6 BOLT WHEEL	1
1.2	R20043	11L x 15 RIB IMP 6 PL TIRE	1
1.3	R20020	VALVE STEM	1
2	325-64-00-000	21.5 x 16.1 TIRE & WHEEL ASSY - 8 BOLT 10 PLY	1
2.1	R20005	21.5 x 16.1 10 PLY IMPLEMENT TIRE	1
2.2	R20074	RIM FOR 21.5 TIRE - 8 BOLT	1
2.3	R20020	VALVE STEM	1
3	340-55-00-000	18 x 22.5 TRUCK TIRE, TUBE & WHEEL	1
3.1	R20058	8 BOLT WHEEL 13.5 x 22.5	1
3.2	R20011	16 x 22.5 USED TRUCK TIRE	1
3.3	R20050	VALVE STEM FOR TRUCK TIRE	1
4	247-07-00-000	TIRE & WHEEL ASSY P275/60R15	1
4.1	R22560	P275 60R15 PASSENGER TIRE	1
4.2	R20045	15 x 8 x 6 BOLT WHEEL	1
4.3	R20020	VALVE STEM	1

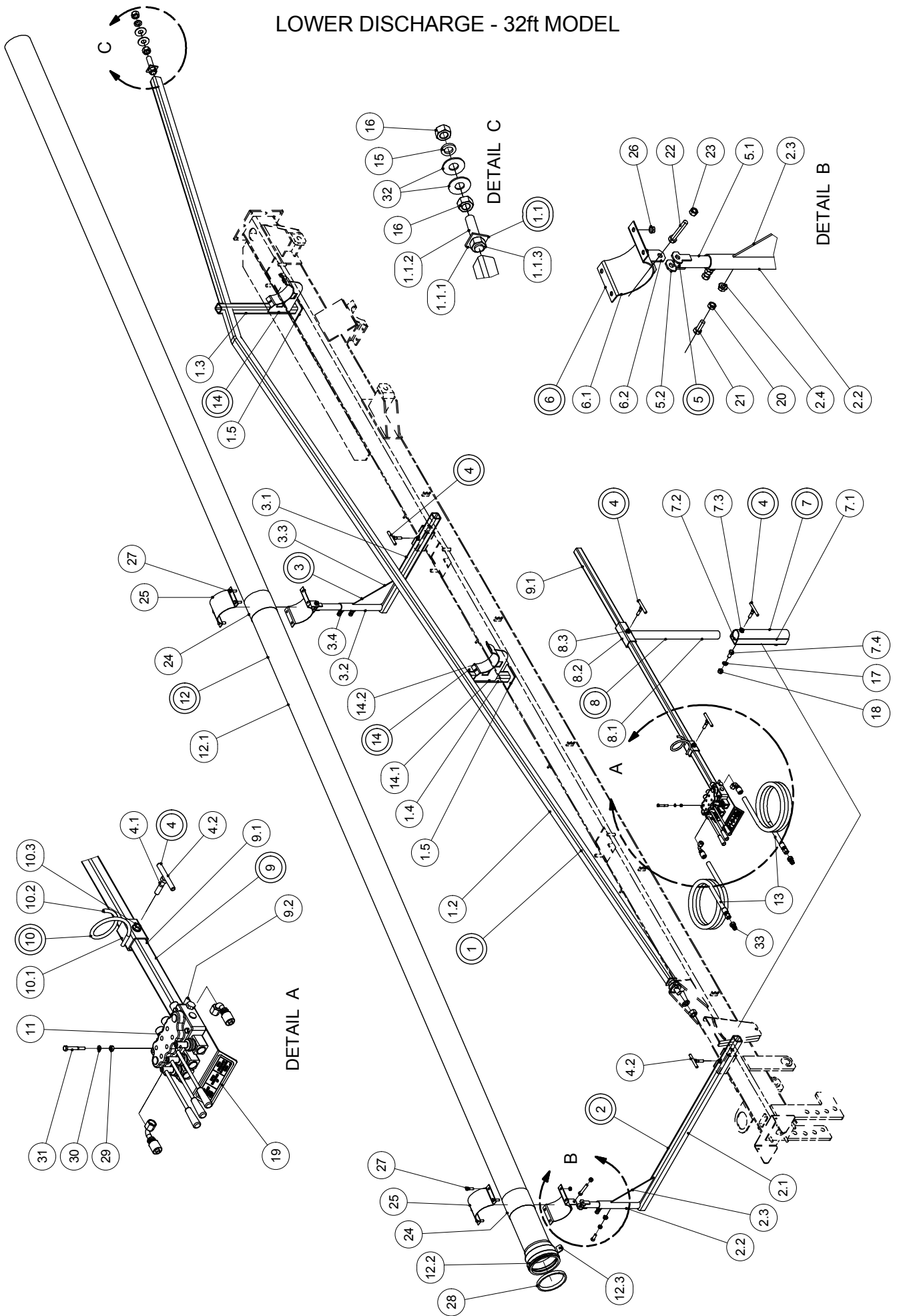
# CARRIAGE KIT



# CARRIAGE KIT

PARTS LIST			
ITEM	PART NUMBER	DESCRIPTION	QTY
1	296-13-00-000	CARRIAGE ASSY	1
1.1	290-59-00-000	5000LB - 6 BOLT HUB ASSY	2
1.1.1	R22055	5000LB HUB w/ CUPS	1
1.1.1.1	R22054	5000LB HUB - 6 BOLT	1
1.1.1.2	R22058	INNER CUP LM603011	1
1.1.1.3	R22060	OUTER CUP LM48510	1
1.1.2	R22061	OUTER CONE LM48548	1
1.1.3	R22059	INNER CONE LM603049	1
1.1.4	R08186	1/8" NPT GREASE FTG	1
1.1.5	R22062	DUST CAP	1
1.1.6	R22063	SEAL CR20044	1
1.1.7	R20110	9/16 UNF WHEEL BOLT	6
1.2	290-11-00-045	CARRIAGE CROSS TUBE	1
1.3	296-13-00-060	CARRIAGE LEG	2
1.4	290-11-00-050	CARRIAGE TUBE END CAP	2
1.5	290-56-00-189	SPINDLE SLEEVE	2
1.6	296-13-00-063	CYLINDER LUG	1
1.7	296-13-00-127	SPACER TUBE	1
1.8	296-13-00-062	CARRIAGE LEG GUSSET	2
1.9	296-13-00-117	LIFT BRKT	1
1.10	296-13-00-064	CYLINDER LUG GUSSET	2
1.11	290-00-00-187	ADJUSTABLE SPINDLE	2
1.12	R20117	SPINDLE NUT	2
1.13	R08015	3/16 x 2 COTTER PIN	2
1.14	R22571	2"ID X 3 1/4"OD EXCLUDER SEAL	2
1.15	R07923	1/2-13 UNC x 1.5 SQ HD SET SCREW - BLK	4
1.16	R08046	1/2-13 UNC HEX JAM NUT - ZINC	4
1.17	R20118	SPINDLE WASHER	2
2	290-20-00-000	TIE BAR ASSY	1
2.1	290-20-00-075	TIE BAR	2
2.2	290-20-00-076	SPACER	2
3	290-39-00-000	TIE BAR PIN	2
3.1	290-39-00-136	TIE BAR PIN	1
3.2	250-00-00-354	1/4 X 1 1/2" RING	1
3.3	R07827	3/4 FLAT WASHER STD - ZINC	1
4	4 x 8 CYLINDER - ORB	40TH08 HYD CYL-ORB	1
5	296-26-00-000	HYD HOSE ASSY - TRACTOR TO WHEEL CYL	1
6	296-27-00-000	HYD HOSE ASSY - TRACTOR WHEEL CYL	1
7	R07948	5/32 HAIR PIN	2
8	R23053	3/8" JIC M X 1/2" NPT M ADAPTER	2
9	R23094	ORB-10 x 3/8" JIC M ADAPTOR	2
10	R23182	MALE PIONEER TIP-ORB-10	2

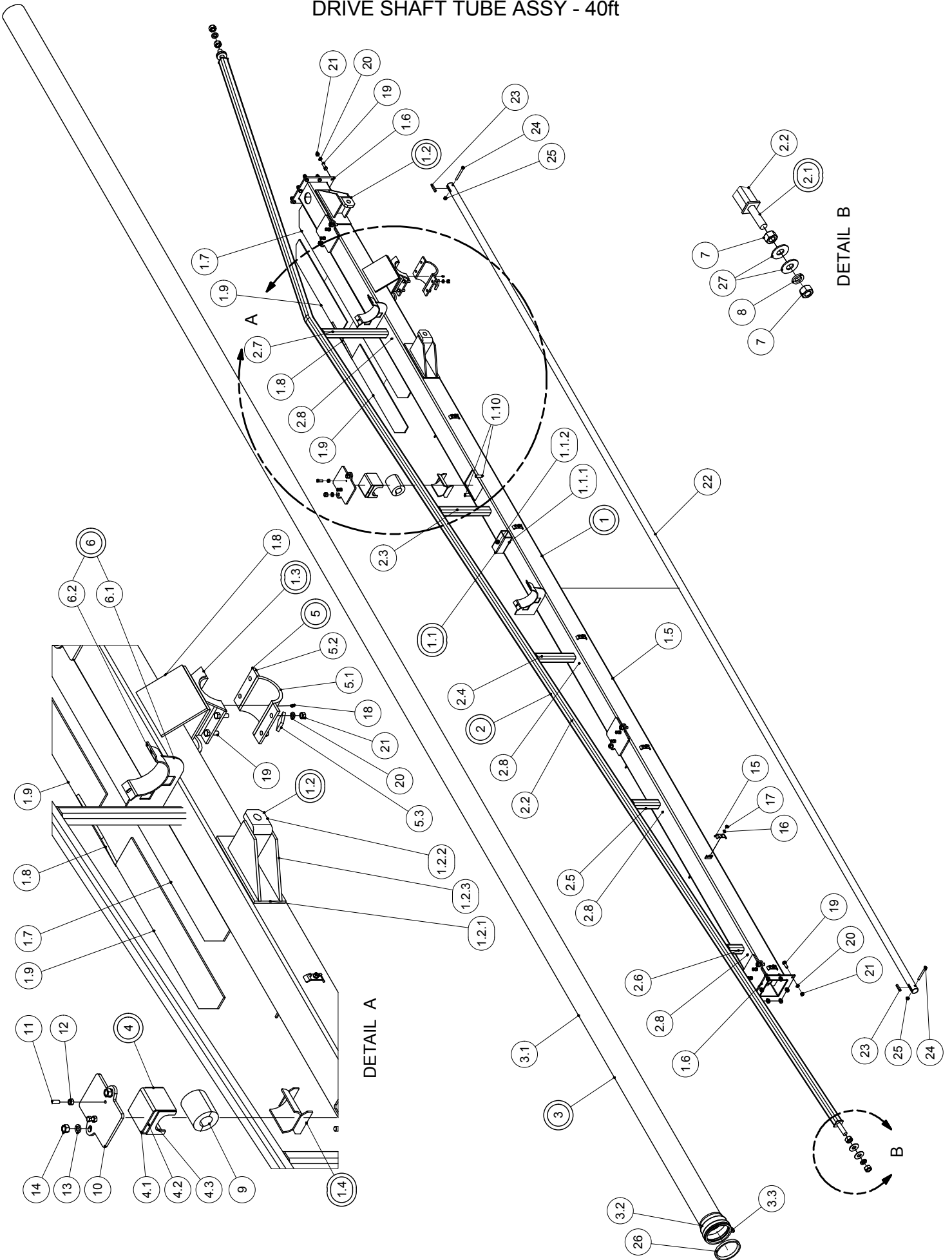
# LOWER DISCHARGE - 32ft MODEL



## LOWER DISCHARGE - 32ft MODEL

PARTS LIST				PARTS LIST			
ITEM	PART NUMBER	DESCRIPTION	QTY	ITEM	PART NUMBER	DESCRIPTION	QTY
1	296-14-00-000	REINFORCING BAR ASSY	1	8.3	R07795^	1/2" UNC FLANGE NUT	1
1.1	296-14-01-000	LUG ASSY	2	9	296-24-00-000	CONTROL BANK HOLDER ASSY	1
1.1.1	296-14-01-070	LUG PLATE	1	9.1	296-24-00-087	CONTROL HOLDER ARM	1
1.1.2	296-14-01-069	LUG REDDI THREAD	1	9.2	296-24-00-088	CONTROL VALVE PLATE	1
1.1.3	R07788^	1" HEX NUT	1	10	296-25-00-000	ADJUSTABLE HYD HOSE HOLDER ASSY	1
1.2	296-14-00-065	REINFORCING BAR	1	10.1	296-25-00-089	HOSE HOLDER SLEEVE	1
1.3	296-14-00-066	LONG UPRIGHT BAR	1	10.2	296-25-00-090	HYD HOSE HOLDER	1
1.4	296-14-00-067	SHORT UPRIGHT BAR	1	10.3	R07795^	1/2" UNC FLANGE NUT	1
1.5	296-14-00-068	UPRIGHT BASE PLATE	2	11	R22249	3 BANK MONOBLOCK VALVE	1
2	296-17-00-000	LONG DISCHARGE PIPE HOLDER ASSY	1	12	296-15-00-000	LOWER ALUMINUM DISCH PIPE ASSY	1
2.1	296-17-00-075	CROSS ARM - LONG	1	12.1	296-15-00-072	LOWER ALUMINUM DISCHARGE PIPE	1
2.2	296-17-00-076	VERTICAL ARM	1	12.2	R02981	6" RW COUPLER-NARROW	1
2.3	296-17-00-077	GUSSET	1	12.3	248-05-00-036	CHAIN LUG	1
2.4	R07795^	1/2" UNC FLANGE NUT	2	13	290-33-00-000	1/2" HYDRAULIC HOSE ASSY	2
3	296-18-00-000	SHORT DISCHARGE PIPE HOLDER ASSY	1	14	296-41-00-000	DISCHARGE AND LEG HOLDER ASSY	2
3.1	296-18-00-078	CROSS ARM - SHORT	1	14.1	296-41-00-125	DISCHARGE PIPE HOLDER BRKT	1
3.2	296-17-00-076	VERTICAL ARM	1	14.2	296-41-00-124	DISCHARGE PIPE HOLDER	1
3.3	296-17-00-077	GUSSET	1	15	R07808^	1" LOCK WASHER	2
3.4	R07795^	1/2" UNC FLANGE NUT	2	16	R07788^	1" HEX NUT	4
4	296-22-00-000	TEE HANDLE ASSY	5	17	R07806^	5/8 LOCK WASHER	2
4.1	R07639^	1/2 x 2 HEX BOLT	1	18	R07786^	5/8 HEX NUT	2
4.2	296-22-00-084	TEE HANDLE	1	19	R09652	LEFT, DOWN, OPEN DECAL	1
5	296-19-00-000	ADJUSTMENT BAR ASSY	2	20	R07785^	1/2 HEX NUT	4
5.1	296-19-00-079	ADJUSTMENT BAR	1	21	R07674^	1/2 x 1 1/4 HEX BOLT	4
5.2	296-19-00-080	ADJUSTMENT BAR BRKTS	2	22	R07641^	1/2 x 3 HEX BOLT	2
6	296-20-00-000	PIPE SADDLE ASSY	2	23	R07885^	1/2 - 2 WAY LOCK NUT	2
6.1	296-20-00-081	SADDLE PLATE	1	24	296-00-00-103	PIPE CUSHION	2
6.2	296-20-00-134	PIPE SADDLE BRKTS	2	25	296-20-00-081	SADDLE PLATE	2
7	296-48-00-000	PIVOT ASSY-LONG	1	26	R07879^	7/16 FLANGE NUT	8
7.1	296-48-00-132	PIVOT CHANNEL	1	27	R07629^	7/16 x 1 1/2 HEX BOLT	8
7.2	296-48-00-133	PIVOT TUBE	1	28	R02366	6" RUBBER GASKET	1
7.3	R07795^	1/2" UNC FLANGE NUT	1	29	R07782^	5/16 HEX NUT	3
7.4	R07673^	5/8 x 1 1/4" UNC HEX BOLT	2	30	R07802^	5/16 LOCK WASHER	3
8	296-23-00-000	CONTROL BANK HOLDER ADJ. ASSY	1	31	R07614^	5/16" x 2 1/2 HEX BOLT	3
8.1	296-23-00-085	ADJUSTABLE VERTICAL BAR	1	32	R07828	1" FLAT WASHER	4
8.2	296-23-00-086	ADJUSTMENT SLEEVE	1	33	R23182	MALE PIONEER TIP-ORB-10	2

# DRIVE SHAFT TUBE ASSY - 40ft

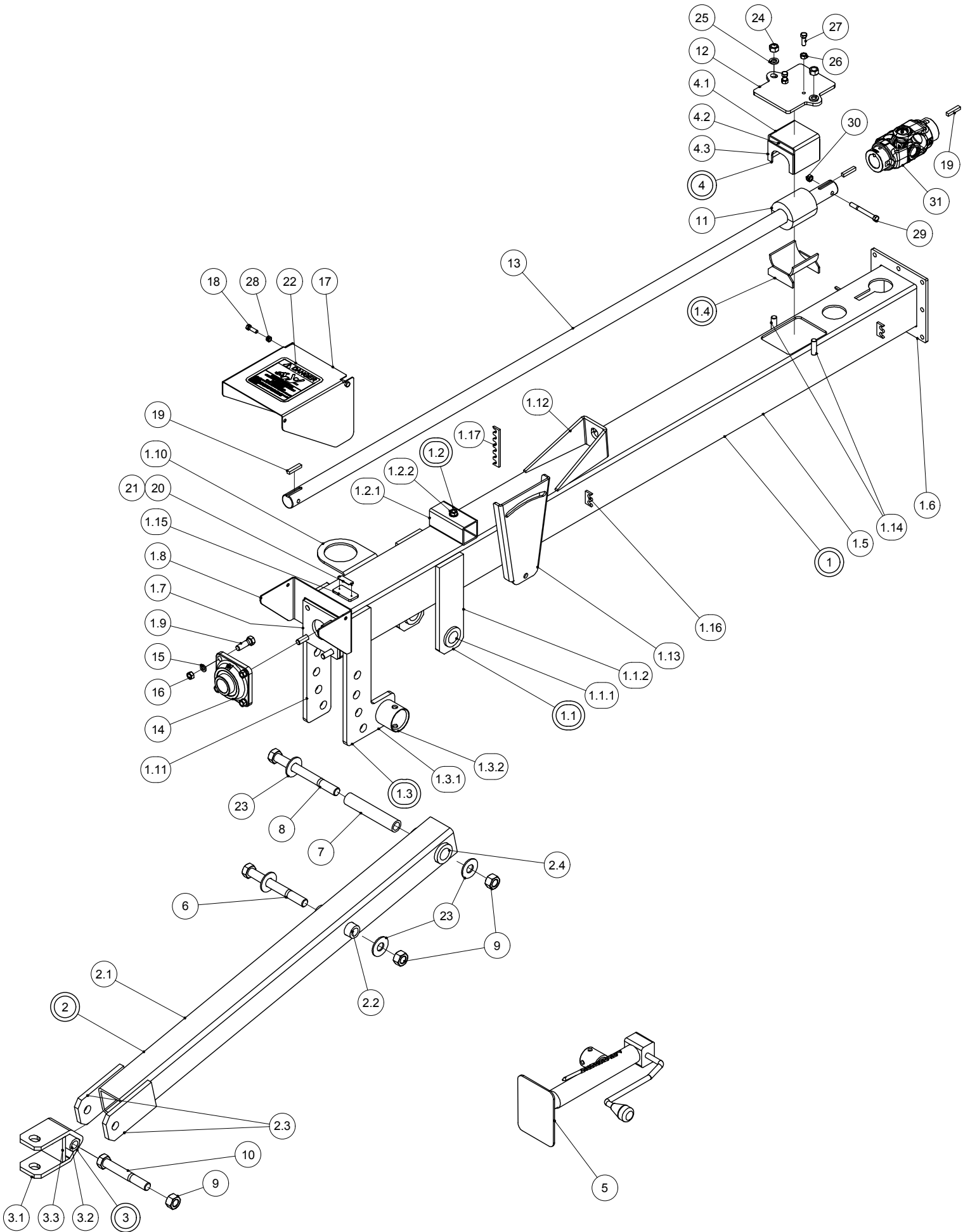




## DRIVE SHAFT TUBE ASSY - 40ft

PARTS LIST				PARTS LIST			
ITEM	PART NUMBER	DESCRIPTION	QTY	ITEM	PART NUMBER	DESCRIPTION	QTY
1	297-02-00-000	MIDDLE DRIVE SHAFT TUBE ASSY-40 FT	1	4	296-05-00-000	UPPER BRG HOLDER ASSY	4
1.1	296-01-03-000	DISCHARGE ADJUSTMENT SLEEVE ASSY	1	4.1	296-05-00-029	UPPER BRG COVER	1
1.1.1	296-01-03-012	ADJUSTMENT SLEEVE	1	4.2	296-01-05-017	BEARING HOLDER HALF	1
1.1.2	R07795^	1/2" UNC FLANGE NUT	1	4.3	296-05-00-028	UPPER RETAINER PLATE	2
1.2	296-01-02-000	CYLINDER BRKT ASSY	2	5	290-13-00-000	CROSS SUPPORT TOP CLAMP ASSY	2
1.2.1	296-01-02-008	CYLINDER BRKT BACK PLATE	1	5.1	290-13-00-056	HALF TUBE w/ GREASE FTG HOLE	1
1.2.2	296-01-02-009	CYLINDER BRKT	1	5.2	290-13-00-055	FLANGE	2
1.2.3	296-01-02-010	CYLINDER BRKT GUSSET	2	5.3	290-13-00-173	CLAMP SUPPORT	2
1.3	296-01-04-000	CARRIAGE CROSS SUPPORT ASSY	1	6	296-41-00-000	DISCHARGE AND LEG HOLDER ASSY	2
1.4	296-01-05-000	BEARING BASE ASSY	4	6.1	296-41-00-125	DISCHARGE PIPE HOLDER BRKT	1
1.5	297-02-00-109	UPPER DRIVE SHAFT TUBE-40 FT	1	6.2	296-41-00-124	DISCHARGE PIPE HOLDER	1
1.6	296-01-00-015	LOWER FLANGE	2	7	R07788^	1" HEX NUT	4
1.7	296-01-00-104	TUBE REINFORCING PLATE	1	8	R07808^	1" LOCK WASHER	2
1.8	296-01-00-014	CROSS SUPPORT GUSSET	2	9	R20236	1 3/4" SPLIT BEARING	4
1.9	296-01-00-106	LOWER REINFORCING PLATE	2	10	296-00-00-030	TUBE COVER PLATE	4
1.10	296-01-00-016	CAP REDDI THREAD	8	11	R07671^	7/16 x 1 1/4 HEX BOLT	8
1.11	490-03-00-190	2 SLOT HYD HOSE HOLDER-DB	6	12	R07784^	7/16 HEX NUT	8
1.12	495-03-00-024 DB	6 SLOT HYD HOSE HOLDER-DB	8	13	R07806^	5/8 LOCK WASHER	8
2	297-03-00-000	REINFORCING BAR ASSY - 40ft	1	14	R07786^	5/8 HEX NUT	8
2.1	296-14-01-000	LUG ASSY	2	15	290-00-00-167	HYDRAULIC HOSE CLIP	22
2.2	297-03-00-110	REINFORCING BAR - 40ft PUMP	1	16	R07803^	3/8 LOCK WASHER	22
2.3	297-03-00-111	UPRIGHT BAR NO:1	1	17	R07783^	3/8 HEX NUT	22
2.4	297-03-00-112	UPRIGHT BAR NO:2	1	18	R21687	GREASE NIPPLE	2
2.5	297-03-00-113	UPRIGHT BAR NO:3	1	19	R07638^	1/2 x 1 1/2 HEX BOLT	24
2.6	297-03-00-114	UPRIGHT BAR NO:4	1	20	R07805^	1/2 LOCK WASHER	24
2.7	296-14-00-066	LONG UPRIGHT BAR	1	21	R07785^	1/2 HEX NUT	24
2.8	296-14-00-068	UPRIGHT BASE PLATE	5	22	296-00-00-031	UPPER DRIVE SHAFT	1
3	297-05-00-000	LOWER ALUMINUM DISCHARGE PIPE ASSY	1	23	270-00-00-075	3/8" KEY - 51.00 mm LONG	2
				24	R07634^	7/16 x 4 HEX BOLT	2
3.1	297-05-00-116	LOWER ALUMINUM DISCHARGE PIPE	1	25	R07891^	7/16 2-WAY LOCK NUT	2
3.2	R02981	6" RW COUPLER-NARROW	1	26	R02366	6" RUBBER GASKET	1
3.3	248-05-00-036	CHAIN LUG	1	27	R07828	1" FLAT WASHER	4

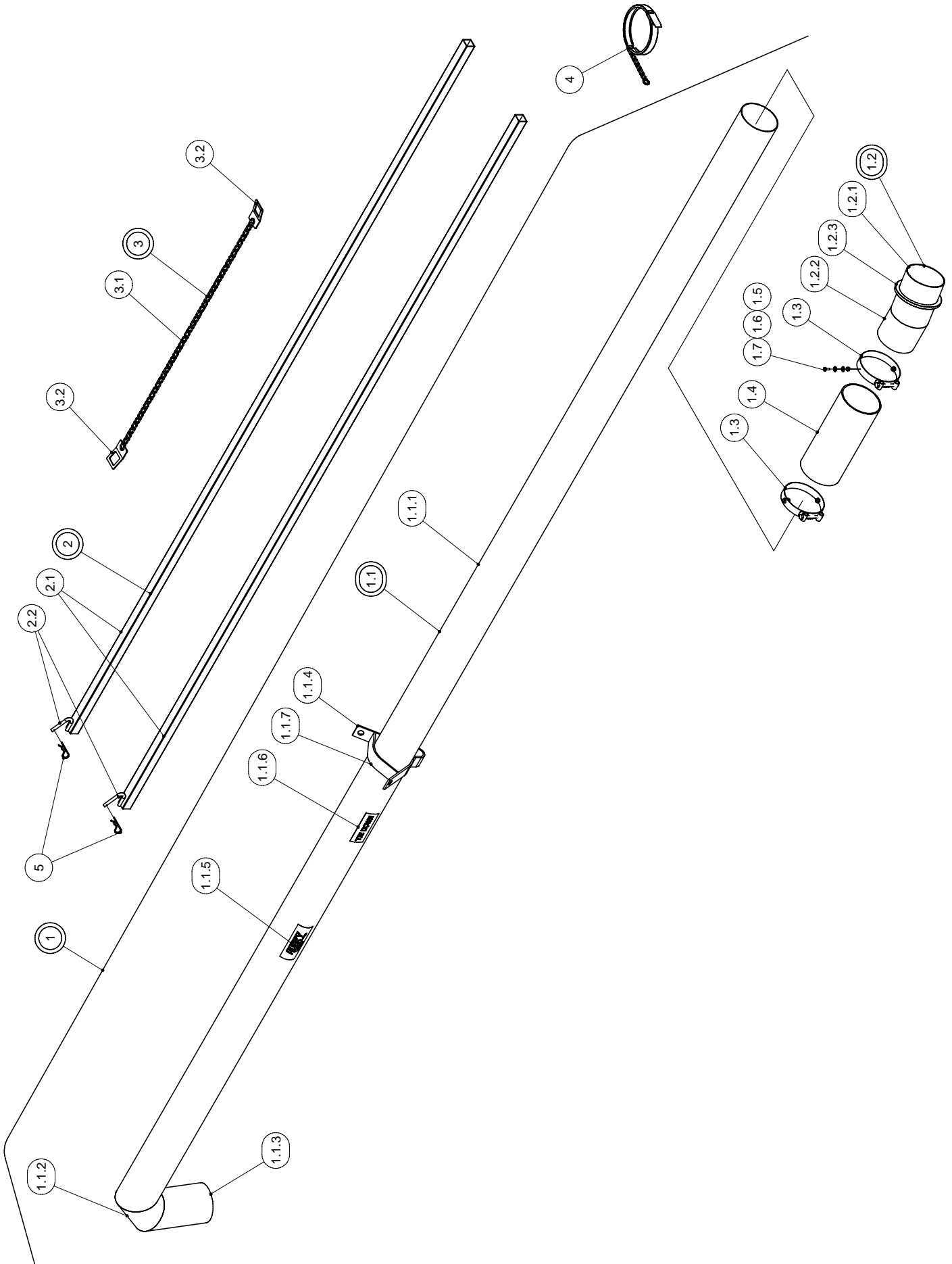
# TOP END - 40ft



## TOP END - 40ft

PARTS LIST				PARTS LIST			
ITEM	PART NUMBER	DESCRIPTION	QTY	ITEM	PART NUMBER	DESCRIPTION	QTY
1	297-01-00-000	UPPER DRIVE SHAFT TUBE ASSY-40 FT	1	3.3	296-04-00-026	HITCH REINFORCING PLATE	1
1.1	296-01-01-000	TONGUE PIVOT ARM ASSY	2	4	296-05-00-000	UPPER BRG HOLDER ASSY	1
1.1.1	296-01-01-006	PIVOT ARM BUSHING	1	4.1	296-05-00-029	UPPER BRG COVER	1
1.1.2	296-01-01-005	PIVOT ARM	1	4.2	296-01-05-017	BEARING HOLDER HALF	1
1.2	296-01-03-000	DISCHARGE ADJUSTMENT SLEEVE ASSY	1	4.3	296-05-00-028	UPPER RETAINER PLATE	2
				5	R09751	7000LB SIDE WIND JACK	1
1.2.1	296-01-03-012	ADJUSTMENT SLEEVE	1	6	R07859^	1" - 8 UNC x 9" LONG HEX BOLT	1
1.2.2	R07795^	1/2" UNC FLANGE NUT	1	7	296-00-00-100	PIVOT PIN	1
1.3	296-01-06-000	LH ADJUSTMENT ARM ASSY	1	8	R08285^	1"-8 UNC x 10" LONG HEX BOLT	1
1.3.1	296-01-06-101	LH ADJUSTMENT ARM	1	9	R07882^	1" - 2 WAY LOCK NUT	3
1.3.2	364-35-00-245	TONGUE JACK BRKT	1	10	R07668^	1" - 8 UNC x 7" LONG HEX BOLT	1
1.4	296-01-05-000	BEARING BASE ASSY	1	11	R20236	1 3/4" SPLIT BEARING	1
1.5	297-01-00-107	UPPER SHAFT TUBE-40 FT PUMP	1	12	296-00-00-030	TUBE COVER PLATE	1
1.6	296-01-00-015	LOWER FLANGE	1	13	297-00-00-108	UPPER DRIVE SHAFT - 40ft	1
1.7	296-01-00-002	BEARING FLANGE	1	14	R20188	1 3/4" - 4 BOLT FLANGE BEARING	1
1.8	296-01-00-003	PTO GUARD MOUNT	1	15	R07805^	1/2 LOCK WASHER	4
1.9	R07647^	5/8 x 2" HEX BOLT	4	16	R07785^	1/2 HEX NUT	4
1.10	290-32-00-121	PTO HOLDER	1	17	296-00-00-033	PTO GUARD	1
1.11	296-01-00-004	ADJUSTMENT ARMS	1	18	R07675^	3/8 x 1 1/4" HEX BOLT	2
1.12	296-01-00-011	UPPER REINFORCING ROD BRKT	1	19	270-00-00-075	3/8" KEY - 51.00 mm LONG	3
1.13	296-01-00-131	PIVOT PLATE	1	20	R09071	SERIAL NUMBER PLATE	1
1.14	296-01-00-016	CAP REDDI THREAD	2	21	R08152	#6 x 1/4" PAN HD SOCKET SCREW	2
1.15	340-01-00-498	SERIAL NO. BACK PLATE	1	22	R09785	"DANGER ROTATING DRIVELINE"	1
1.16	490-03-00-190	2 SLOT HYD HOSE HOLDER-DB	2			DECAL	
1.17	495-03-00-024 DB	6 SLOT HYD HOSE HOLDER-DB	2	23	R07828	1 FLAT WASHER STD - ZINC	4
				24	R07786	5/8-11 UNC HEX NUT - ZINC	2
2	296-03-00-000	TONGUE ASSY	1	25	R07806	5/8 LOCK WASHER - ZINC	2
2.1	296-03-00-021	TONGUE TUBE	1	26	R07784	7/16-14 UNC HEX NUT - ZINC	2
2.2	296-03-00-023	ADJUSTMENT BUSHING	1	27	R07671	7/16-14 UNC x 1.25 HEX BOLT GR.5	2
2.3	296-03-00-022	TONGUE PLATE	2	28	R07886	3/8-16 UNC 2-WAY LOCK NUT - ZINC	2
2.4	296-03-00-024	TONGUE PIVOT BUSHING	1	29	R07634	7/16-14 UNC x 4 HEX BOLT GR.5	1
3	296-04-00-000	HITCH ASSY	1	30	R07891	7/16-14 UNC 2-WAY LOCK NUT - ZINC	1
3.1	296-04-00-025	HITCH	1	31	R23556	PROP KNUCKLE ASSY-1-3/4" RD x	1
3.2	296-04-00-027	HITCH SLEEVE	1			1-3/4" RD	

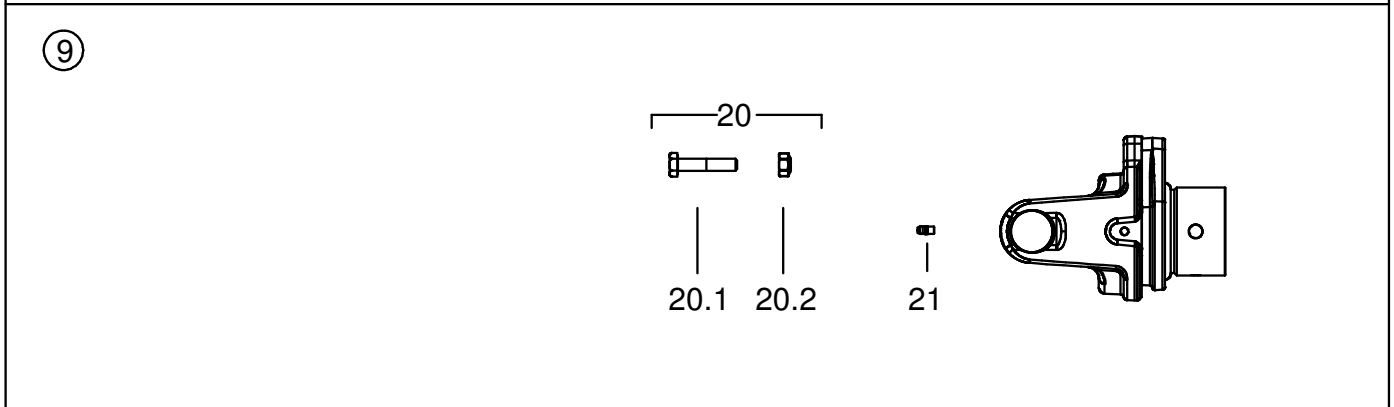
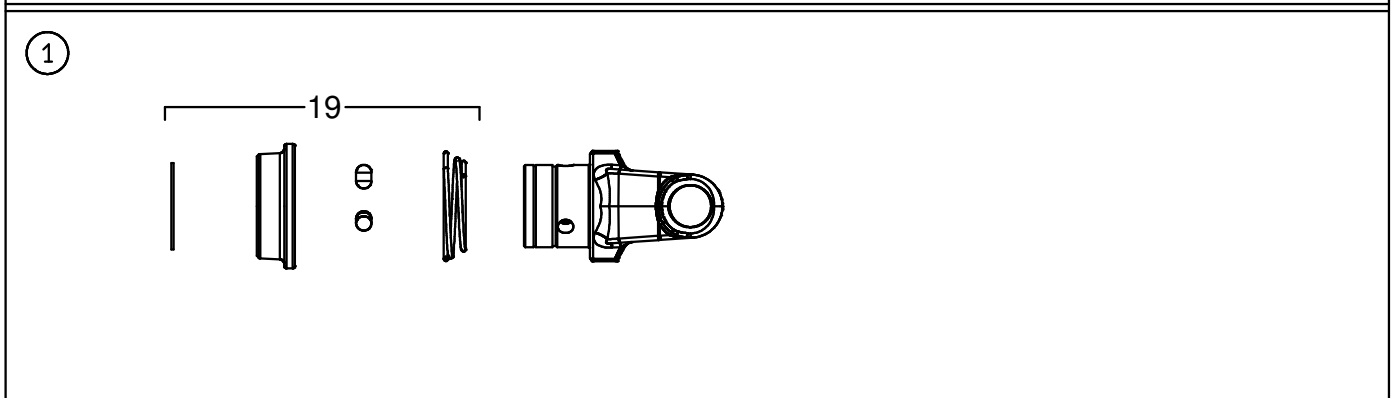
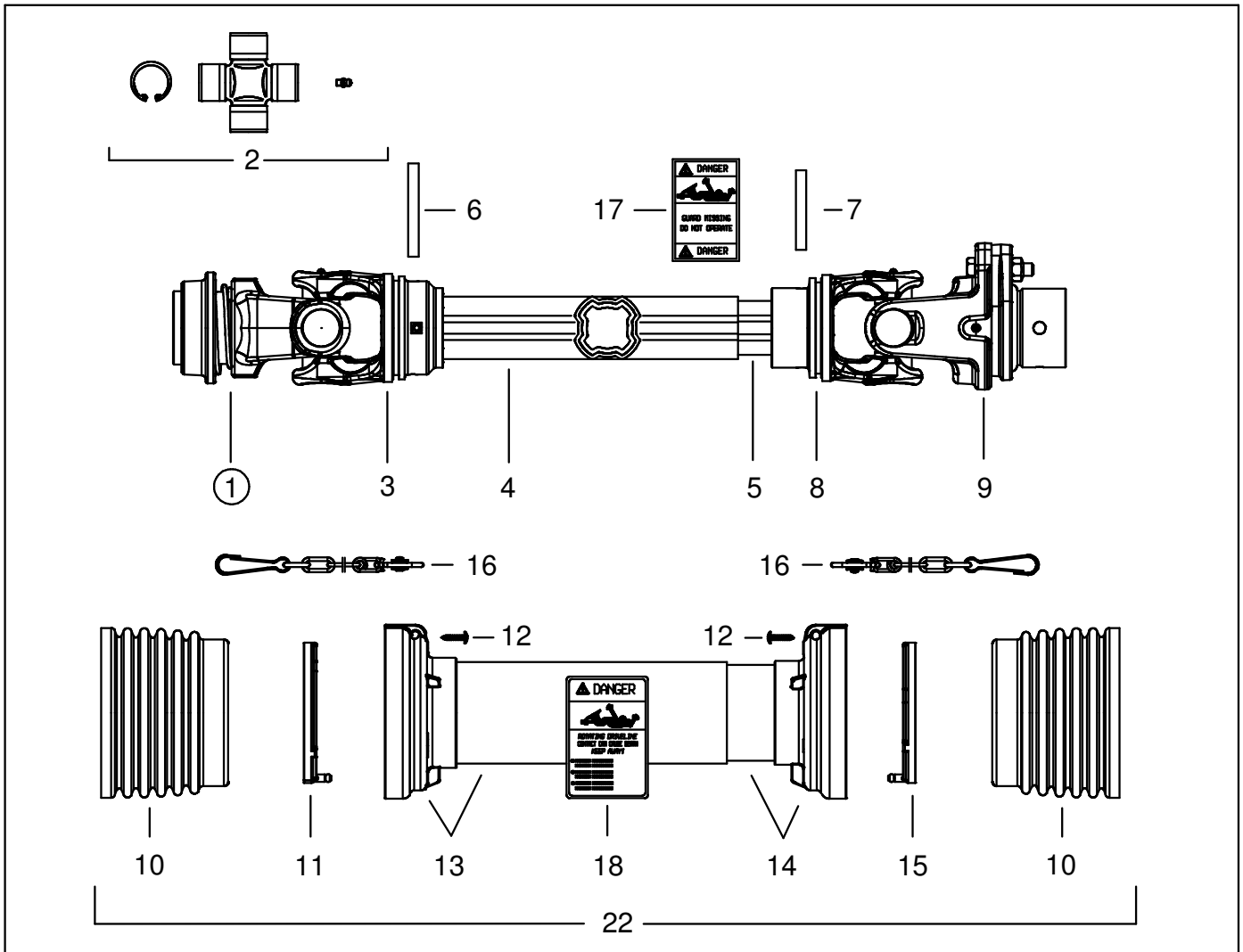
# DISCHARGE PIPE



# DISCHARGE PIPE

PARTS LIST			
ITEM	PART NUMBER	DESCRIPTION	QTY
1	296-37-00-000	20ft DISCHARGE PIPE KIT	1
	N/A	25ft DISCHARGE PIPE KIT	1
	N/A	30ft DISCHARGE PIPE KIT	1
1.1	250-55-25-000	20 FT DISCHARGE PIPE ASSY - 6"	1
	250-94-01-000	25 FT DISCHARGE PIPE ASSY - 6"	1
	252-09-01-000	30 FT DISCHARGE PIPE ASSY - 6"	1
1.1.1	250-55-25-134	DISCHARGE PIPE 20 FT MODEL	1
	250-94-01-294	DISCHARGE PIPE 25 FT MODEL	1
	252-09-01-326	DISCHARGE PIPE 30 FT MODEL	1
1.1.2	250-26-22-097	DISCHARGE ELBOW CENTER PIECE	1
1.1.3	250-26-22-098	DISCHARGE ELBOW END PIECE	1
1.1.4	250-26-22-099	DISCHARGE PIPE HOOK	1
1.1.5	R09502	"HUSKY" DECAL	1
1.1.6	R09690	"TIE DOWN" DECAL	1
1.1.7	250-26-22-397	6" PIPE HOOK REINF STRAP	1
1.2	296-16-00-000	TOP DISCHARGE ELBOW ASSY	1
1.2.1	296-16-00-073	TOP DISCHARGE ELBOW BASE PC	1
1.2.2	296-16-00-074	TOP DISCHARGE ELBOW TOP PC	1
1.2.3	250-95-00-295	CLAMP RING	1
1.3	R02482	6" HOSE CLAMP	2
1.4	250-00-00-095	FLEX HOSE SECTION	1
1.5	R07781	1/4 HEX NUT	4
1.6	R07821	1/4 FLAT WASHER	8
1.7	R07677	1/4 x 3/4 HEX BOLT	4
2	242-33-00-000	BIPOD LEG ASSY	2
2.1	242-33-00-155	BIPOD LEGS	1
2.2	242-33-00-156	BIPOD LEG HOOK	1
3	242-79-00-000	BIPOD LEG CHAIN ASSY	1
3.1	242-79-00-199	BIPOD LEG CHAIN	1
3.2	242-79-00-198	BIPOD LEG CLIP	2
4	250-97-00-000	CLAMP & CHAIN ASSY	1
5	R07948	5/32 HAIR PIN	2

PROPELLER AGITATOR PTO - 4 LOBE



## PROPELLER AGITATOR PTO - 4 LOBE

**R22200** - 1 3/8" 6 TOOTH - 540 RPM (STANDARD)

**R22201** - 1 3/8" 21 TOOTH - 1000 RPM

**R22202** - 1 3/4" 20 TOOTH - 1000 RPM

PARTS LIST				
ITEM	MFG NUMBER	PART NUMBER	DESCRIPTION	QTY
1	5720L0356	R23396	1 3/8 - 6 T QD YOKE & COLLAR 540 rpm	1
	5720L3757	R23397	1 3/8 - 21 T QD YOKE & COLLAR 1000 rpm	1
	5720L3859	R23398	1 3/4 - 20 T QD YOKE & COLLAR 1000 rpm	1
2	4120L0012R24	R22454	#8 CROSS KIT - 34.9x93.5	2
3	2040L6869	R23400	#8 OUTER 4 LOBE TUBE YOKE	1
4	341046000R10	R23401	FLEXIBLE ROLL PIN 10x85mm	1
5	2253Z0835	R23402	#8 OUTER DRIVE TUBE L-835	1
6	2253V0855	R23403	#8 INNER DRIVE TUBE L-855	1
7	341042000R10	R23404	FLEXIBLE ROLL PIN 10x75mm	1
8	2040L6865	R23405	#8 INNER 4 LOBE TUBE YOKE	1
9	6060L8801R	R23407	1 3/4" RD HOLE SHEAR YOKE & COLLAR	1
10	2190L0201	R23408	#8 CONE BELL 160x120x100	2
11	2550G0001R02	R23409	#8 SHIELD SUPPORT - OUTER	1
12	310001431R30	R23394	SCREW - SELF TAP 4.8x22mm	6
13	5TNN1H8101U	R23410	#8 TUBE & CONE SHIELD - OUTER	1
14	5MNN1H8101U	R23411	#8 TUBE & CONE SHIELD - INNER	1
15	2550G0002R02	R23412	#8 SHIELD SUPPORT - INNER	1
16	252000101R02	R21738	SHIELD TIE CHAIN	2
17	399143000	R21523	"SHIELD MISSING" DECAL	1
18	399141000	R21521	ROTATING DRIVELINE DECAL	1
19	435000332R	R23413	1 3/8" BALL COLLAR KIT #8	1
	435000425R	R23414	1 3/4" BALL COLLAR KIT #8	1
20	-	480-31-00-000	SHEAR BOLT 5-PACK	1
20.1	-	R21639	M12-1.75 x55 HEX BOLT GR 8.8 (NOT FOR INDIVIDUAL SALE)	1
20.2	-	R21604	M12-1.75 NYLOCK NUT (NOT FOR INDIVIDUAL SALE)	1
21	348017000R20	R21687	GREASE NIPPLE M6x1 STRAIGHT	1
22	5CH8101U2SS	R23416	COMPLETE SHIELD KIT	1

## **GUARANTEE**

All Husky Farm Equipment manufactured by Husky Farm Equipment Limited is guaranteed. Guarantee covers all the replacement cost or repair of all parts said to be defective from manufacture. Guarantee also covers labour installing said parts, if installed at Husky Manufacturing plant. Time and use is the essence of the guarantee. If equipment is used on a private property for an individual's use, guarantee will be in effect for twelve months from date of invoice. If equipment is used for commercial use to do custom work for money then guarantee will be in effect for three months only from date of invoice.

## **EXEMPTIONS FROM GUARANTEE**

Cost of transportation of equipment to or from Husky Farm Equipment Limited either by customer or by Husky's service staff or cost of mail or public transportation is not covered. Tires and electric or hydraulic motors are covered by manufacturer's warranty and although Husky may assist to get warranty, Husky will not be responsible other than that allowed by manufacturer's warranty. Items subject to normal wear from use not covered by guarantee if faulty part is simply worn.