

Date Purchased \_\_\_\_\_ Machine Serial No. \_\_\_\_\_

Size of Spreader \_\_\_\_\_ Options \_\_\_\_\_

The key number system in this parts book is arranged as follows:

- ⊙ - Key numbers with two circles denotes main assemblies.
- - Key numbers with one circle are individual parts

Please order parts by number



**7000L VACUUM SPREADER ▪ 366-00-00-000**

**9000L VACUUM SPREADER ▪ 367-00-00-000**

**OPERATING INSTRUCTIONS:**

1. Heed all warnings.
2. Minimum HP requirements to safely operate on level terrain, on hilly terrain HP should be increased.

4500L	-----	70 HP
7000L	-----	85 HP
9000L	-----	95 HP
12000L	-----	110 HP
14000L	-----	130 HP
15000L	-----	140 HP
18000L	-----	160 HP
23000L	-----	200 HP
28000L	-----	250 HP

3. If machine is equipped with hydraulic brakes that are operated from the tractor hydraulics, they will not work should the tractor motor stop. Inspect brakes before each use. Brakes must be bled before initial use unless installed at factory. When releasing brakes the tractor hydraulic lever must be put in the opposing position to release pressure. Do not put in float position they will not release.
4. Tractor PTO spline must be approximately 14" (355mm) from end of compressed PTO for proper adjustment
5. Hitch tanker to tractor with minimum 1" (25mm) hardened hitch pin with a safety lock. Use 10,000 Lbs safety chain from spreader to tractor.
6. Do not use tongue stand to support loaded spreader. Put jack in storage position before using.
7. When hooking PTO to tractor make sure motor is stopped. Make sure QD (Quick Disconnect) safety locking pin is in locked position before using.
8. Clean off hose ends before plugging into tractor hydraulics. If spreader is equipped with hydraulic drive on spreading attachment, make sure tractor has sufficient oil flow and pressure to maintain satisfactory spread pattern, if not use another tractor.



## OPERATING INSTRUCTIONS continued:

9. After using spreader in freezing conditions make sure impeller housing is drained.
10. Wash tank inside and out each time work is finished. This will increase the life of the tank by many years. See item 6 of Safety instructions
11. Do not drive on public roads after dusk unless equipped with lights required by Department of Transportation in your area.
12. Remove wheels annually and grease wheel bearings.
13. Because manure smells, many farmers have made unfriendly neighbours. If in a residential area a manure injector is a recommended option to bury the smell.
14. Much of the fertilizer value of manure is lost when exposed to air. Getting the manure covered quickly is a very important part of spreading manure.
15. If rustproof coating on interior shows signs of deterioration, have interior repainted. This can be done with a roller or brush. This helps to increase the life of your spreader. It is a valuable maintenance procedure.

## SAFETY INSTRUCTIONS:

Do not operate this machine until you fully understand the safe operating practices.

1. Make sure all moving parts are shielded to prevent coming in contact with loose clothing.
2. Keep children clear; do not let children or any person(s) ride the spreader at anytime.
3. Do not support loaded spreader on tongue jack.
4. Keep tire pressure to recommended pressure at all times. Recommended tire pressure being:

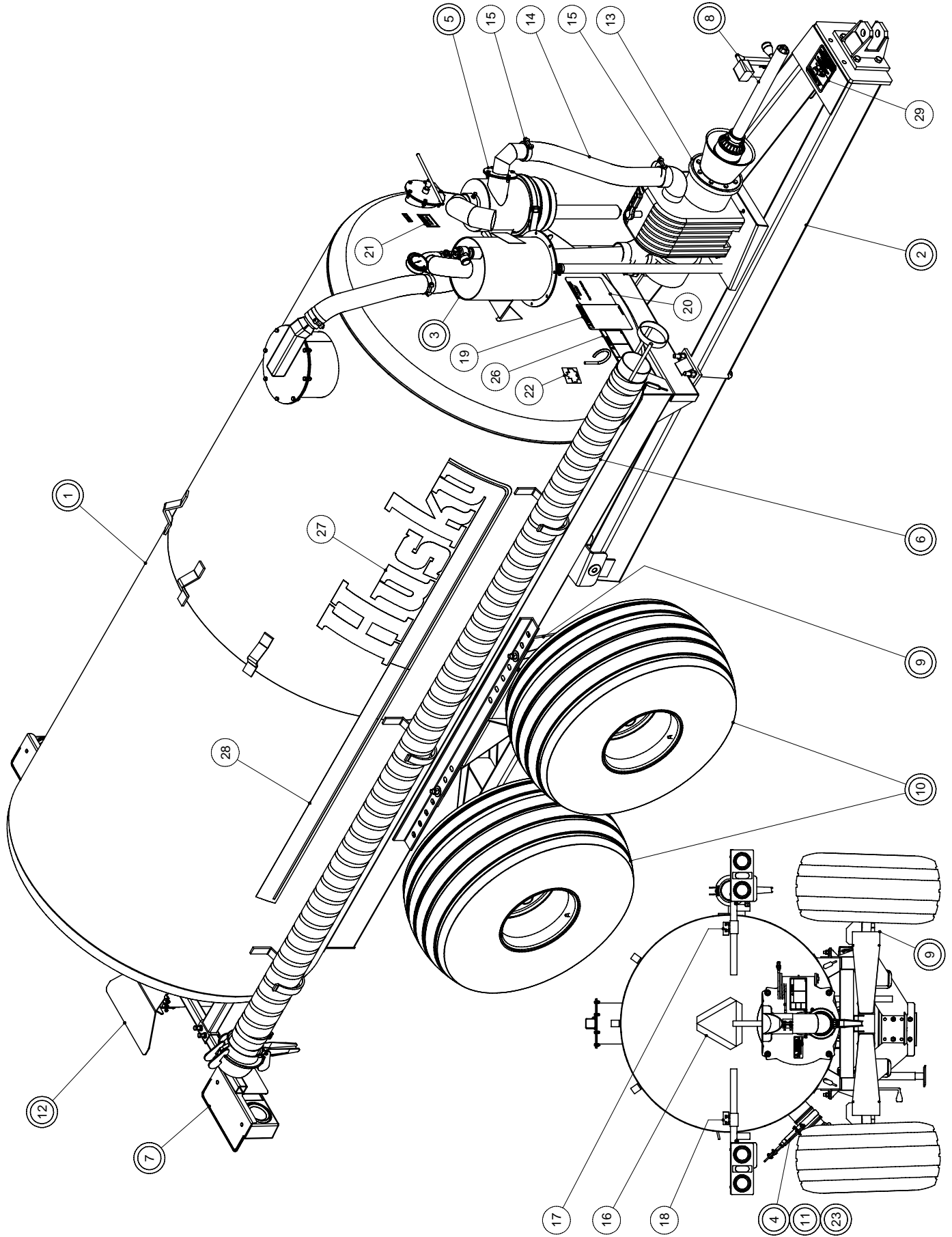
		Lbs	KPA
40 x 14	Airplane Tires	55	379
44 x 16	Airplane Tires	55	379
47 x 18 x 18	Airplane Tires	55	379
50 x 20 x 20	Airplane Tires	55	379
16.5L x 16.1	Implement Tires	35	241
21.5L x 16.1	Implement Tires	35	241
18.4L x 26	Turf Tires	30	207
23.1L x 26	Turf Tires	24	166
28L x 26	Turf Tires	24	166
30.54L x 32	Turf Tires	24	166
35.5L x 32	20 ply Turf Tires	32	220
18L x 22.5	Truck Tires	65	448
23.5L x 25	Loader Dozer Tires	55	379

5. Keep wheel bolts torqued to the recommended torque at all times. (Check Daily)

Wheel Bolt Size	Ft/Lbs Torque (Dry)	Ft/Lbs. - Oiled	Meter/Kg - Torque Dry	Meter/Kg - Oiled
9/16 – 18 NF GR. 5	120	90	16.59	12.44
5/8 – 18 NF GR. 8	240	180	33.18	24.89
3/4 – 16 NF GR. 8	420	310	58.07	42.86

6. Never enter a tanker without special breathing equipment to supply oxygen. Manure gases can kill instantly. One breath of Hydrogen Sulphide can kill.
7. When repairing hydraulic hoses, always relieve pressure in hose. Always wear safety glasses while working on spreader.
8. Caution – disc brakes will not release until valve lever is held momentarily in opposite position. This will relieve pressure in brake line. Do not put in float position, they will not release. (Rule does not apply to Husky Manure Spreaders equipped with a Knott Brake System)

7000L & 9000L TANK COMPLETE



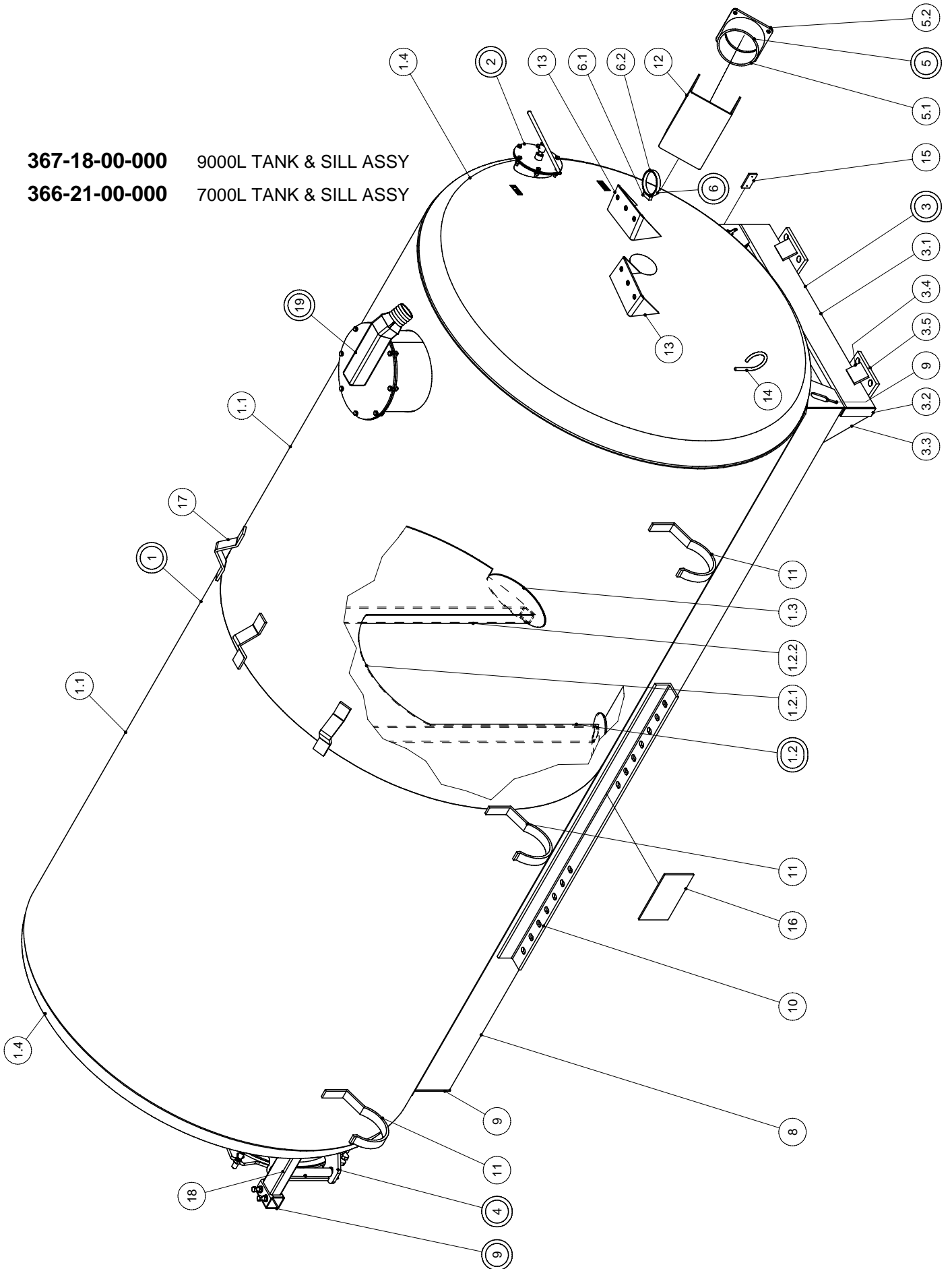
## 7000L & 9000L TANK COMPLETE

PARTS LIST			
ITEM	PART NUMBER	DESCRIPTION	QTY
1	367-18-00-000	9000L TANK & SILL ASSY	1
	366-21-00-000	7000L TANK & SILL ASSY	1
2	368-70-00-000	EXTENDED TONGUE KIT w/ MOTOR MOUNT	1
3	368-26-00-000	SECONDARY MOISTURE TRAP KIT	1
4	368-51-00-000	6" MANUAL VALVE WITH HANDLES	1
5	368-59-00-000	MUFFLER & OIL CATCH KIT	1
6	368-39-00-000	15' SUCTION HOSE KIT	1
7	357-30-00-000	TAIL LIGHT KIT	1
8	R21593	PTO	1
9	362-45-00-000	AXLE KIT	1
10	325-64-00-000	21.5 x 16.1 TIRE & WHEEL ASSY - 8 BOLT 10 PLY	4
11	375-97-00-000	6" SOCKET W/FLANGE ASSY	1
12	N/A	REAR DISCHARGE 'KIT'	1
13	N/A	VACUUM PUMP	1
14	368-00-00-328	INTAKE & EXHAUST HOSE	1
15	R02480	3" BAUER SUPER CLAMP	2
16	R09501	SLOW MOVING VEHICLE DECAL	1
17	R10096	RED REFLECTOR	2
18	R10097	AMBER REFLECTOR	1
19	R09783	"CAUTION" DECAL	1
20	R09730	TORQUE, TIRE PRESSURE DECAL	1
21	R09512	CAPACITY DECAL	1
22	R09509	"MADE IN CANADA" DECAL - LARGE	1
23	R09838	HK 159mm O-RING	1
24	R09071	SERIAL NUMBER PLATE	1**
25	R08152	6 x 1/4 PAN HD SOCKET SCREW	2**
26	R10334	TOXIC GAS PICTORAL DECAL	1
27	R09510	"HUSKY" DECAL	2
28	R09511	ACCENT STRIP	2
29	R09785	"DANGER ROTATING DRIVELINE" DECAL	1

\*\* SERIAL # PLATE & 1/4" SOCKET SCREWS ARE LOCATED AT THE FRONT OF THE LEFT SILL

# 7000L & 9000L TANK ASSY

**367-18-00-000** 9000L TANK & SILL ASSY  
**366-21-00-000** 7000L TANK & SILL ASSY

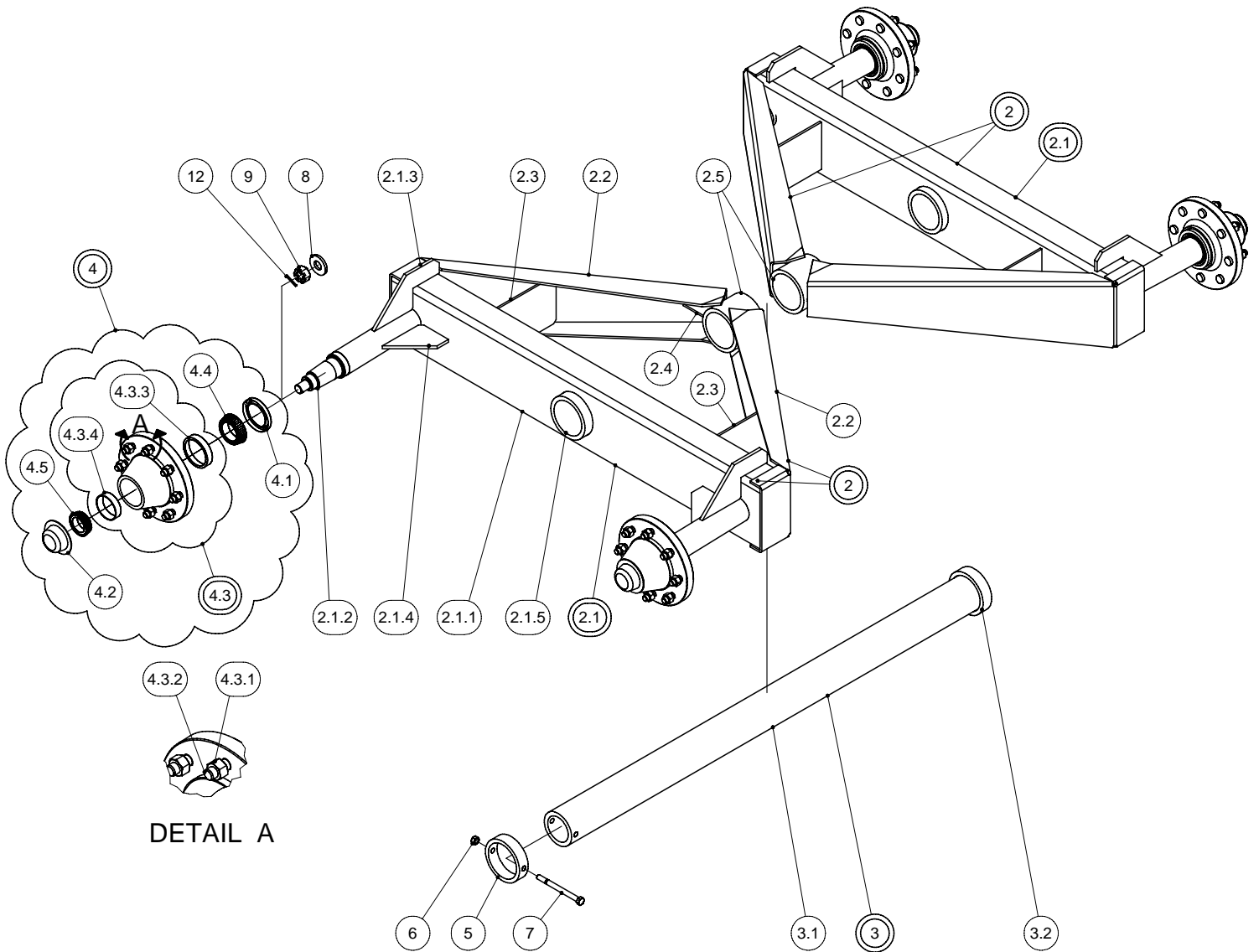
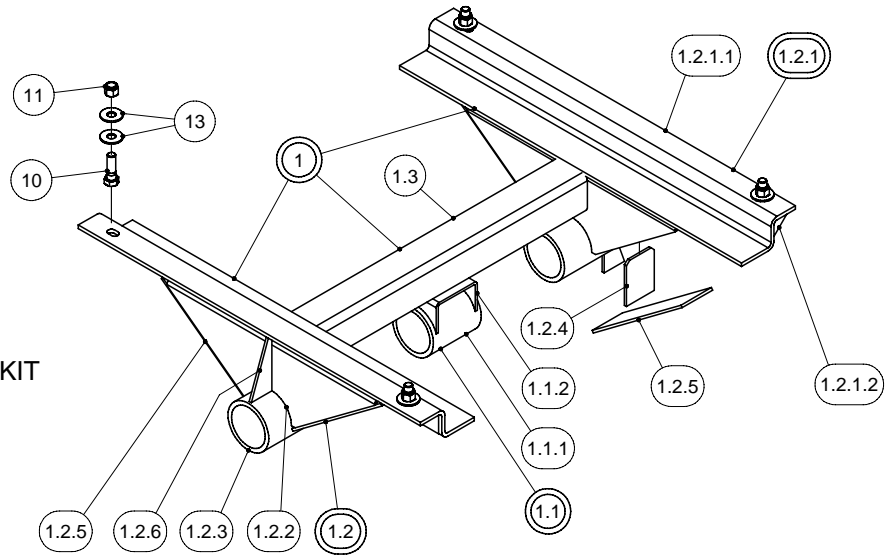


## 7000L & 9000L TANK ASSY

PARTS LIST			
ITEM	PART NUMBER	DESCRIPTION	QTY
1	367-18-10-000	9000L TANK ASSY	1
	366-21-13-000	7000L TANK ASSY	1
1.1	367-18-10-073	9000L TANK SHELL	2
	366-21-13-084	7000L TANK SHELL	2
1.2	367-18-12-000	9000L BAFFLE ASSY - 66" DIA	1
	365-40-01-000	7000L BAFFLE ASSY - 54" DIA	1
1.2.1	367-18-10-074	9000L BAFFLE - 66" DIA	1
	365-40-30-530	7000L BAFFLE - 54" DIA	1
1.2.2	367-18-12-663	9000L BAFFLE SUPPORT TUBE	2
	365-40-01-664	7000L BAFFLE SUPPORT TUBE	2
1.3	340-01-01-559	OVAL REINFORCING PLATE	2
1.4	R09843	66" DIA FL & DISHED HEAD	2
	R09844	54" DIA FL & DISHED HEAD	2
2	330-20-00-000	SITE GAUGE KIT	1
3	368-71-00-000	CROSS MEMBER ASSY	1
3.1	368-71-00-428	CROSS MEMBER - EXTENDED TONGUE	1
3.2	368-71-00-429	END CAP	2
3.3	368-71-00-430	CROSS MEMBER GUSSET	2
3.4	364-02-17-123	TONGE STRAP GUSSET	2
3.5	364-02-17-122	TONGUE STRAP	2
4	376-02-00-000	FLAT VACUUM HATCH COMPLETE-24"	1
5	368-01-72-000	6" VALVE FLANGE ASSY	1
5.1	368-01-27-168	SIDE VALVE NIPPLE	1
5.2	368-01-72-351	6" VALVE FLANGE	1
6	368-01-59-000	PTO HOLDER	1
6.1	438-01-03-003	SPACER	1
6.2	364-41-00-132	PTO HOLDER	1
7	357-30-03-000	MOUNT BRKT ASSY	2
8	367-18-00-076	9000L SILL	2
	366-21-00-089	7000L SILL	2
9	367-18-00-078	9000L SILL CAP	4
	366-21-00-090	7000L SILL CAP	4
10	364-02-00-280	AXLE ADJUSTMENT ANGLE	2
11	368-01-00-001	6" SUCTION PIPE HOLDER	3
12	368-01-00-234	DEFLECTOR PLATE	1
13	368-01-00-007	MOISTURE TRAP TANK BRKT	2
14	315-30-00-108	HYD. HOSE HOOK	1
15	340-01-00-498	SERIAL NO. BACK PLATE	1
16	330-00-00-545	SILL REINFORCING PC. SMALL	2
17	300-01-00-012	TANK LIFT HOOK	3
18	357-30-00-312	LIGHT BRKT EXTENDER TUBE	2
19	376-08-00-000	TOP INLET PRIMARY TRAP KIT	1

# 7000L & 9000L AXLE KIT

## 7000L & 9000L VACUUM AXLE KIT 362-45-00-000



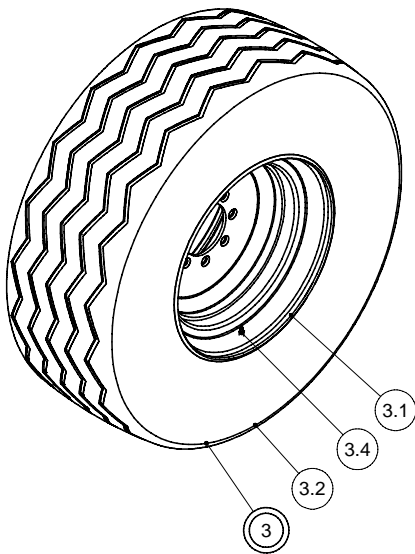


## 7000L & 9000L AXLE KIT

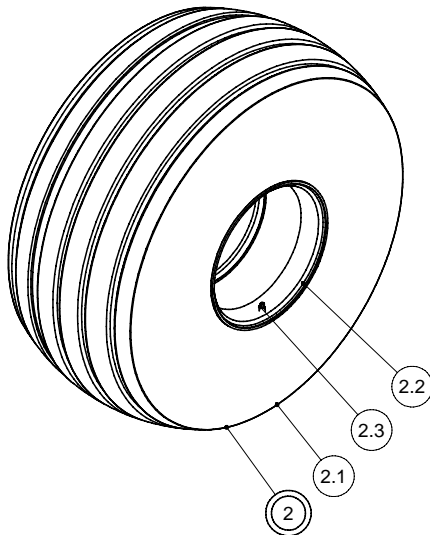
PARTS LIST			
ITEM	PART NUMBER	DESCRIPTION	QTY
1	362-45-01-000	BASE FRAME ASSY	1
1.1	362-45-03-000	CENTER SLEEVE ASSY	1
1.1.1	362-45-03-386	CENTER SLEEVE	1
1.1.2	362-45-03-387	CENTER SLEEVE HOLDER	1
1.2	362-45-02-000	AXLE PIVOT ASSY	2
1.2.1	330-69-01-000	SILL "Z" PLATE ASSY	1
1.2.1.1	358-85-00-253	SILL "Z" PLATE	1
1.2.1.2	330-69-00-550	GUSSET	2
1.2.2	315-35-00-132	AXLE SIDE PLATE	2
1.2.3	315-35-00-130	STATIONARY SLEEVE	1
1.2.4	315-35-00-134	INNER SUPPORT PLATE	2
1.2.5	315-35-00-133	COVER STRIP	2
1.2.6	315-35-00-136	PIVOT ASSY OUTER GUSSET	1
1.3	362-45-01-385	CROSS AXLE SUPPORT	1
2	362-14-14-000	TANDEM SIDE ASSY	2
2.1	362-14-10-000	WALKING BEAM ASSY	1
2.1.1	362-14-10-055	WALKING BEAM FOR WELD IN SPINDLE	1
2.1.2	362-14-10-056	WELD IN SPINDLE	2
2.1.3	362-14-10-080	GUSSET	2
2.1.4	315-33-00-122	SPINDLE SLEEVE GUSSET	2
2.1.5	315-33-00-127	OUTER ROCKER SLEEVE	1
2.2	315-33-00-124	TANDEM SIDE ARM	2
2.3	315-33-00-125	STIFFENER PLATE	2
2.4	315-33-00-126	CENTER GUSSET	2
2.5	315-33-00-120	INNER ROCKER SLEEVE	1
3	315-04-00-000	MAIN AXLE TUBE ASSY	1
3.1	315-04-00-530	MAIN AXLE TUBE	1
3.2	330-08-00-528	STOP RING	1
4	300-27-00-000	8 - BOLT HUB COMPLETE	4
4.1	R20116	HUB SEAL	1
4.2	R20119	DUST CAP	1
4.3	300-27-00-574	8 - BOLT HUB w/ CUPS	1
4.3.1	R20111	5/8 x 18 UNF WHEEL NUT	8
4.3.2	R20124	5/8 - 18 UNF x 2 3/8 WHEEL BOLT	8
4.3.3	R20112	JLM506810 INNER CUP	1
4.3.4	R20113	LM501310 OUTER CUP	1
4.4	R20114	JLM506849	1
4.5	R20115	LM501349 OUTER CONE	1
5	315-00-00-137	RETAINING RING	1
6	R07785	1/2 HEX NUT	1
7	R07645	1/2 X 6 HEX BOLT	1
8	R20118	SPINDLE WASHER	4
9	R20117	SPINDLE NUT	4
10	R07655	3/4 x 2 1/2 HEX BOLT	4
11	R07878	3/4 NYLOCK NUT	4
12	R07943	3/16 x 1 1/2 ROLL PIN	4
13	R07827	3/4" FLAT WASHER	8

# TIRES & WHEELS - 7000L & 9000L

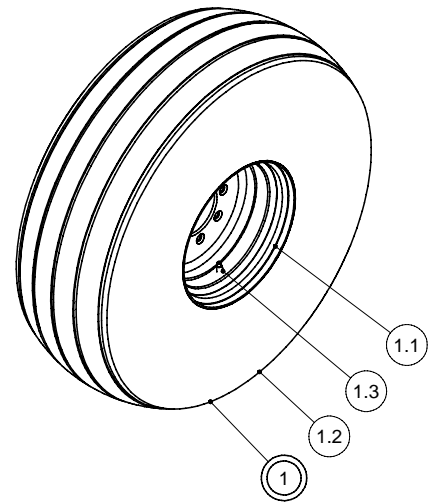
PARTS LIST			
ITEM	PART NUMBER	DESCRIPTION	QTY
1	300-26-00-000	16.5 x 16.1 TIRE & WHEEL ASSY	1
1.1	R20073	RIM FOR 16.1 TIRE - 8 BOLT	1
1.2	R20004	16.5 x 16.1 IMPLEMENT TIRE	1
1.3	R20020	VALVE STEM	1
2	325-64-00-000	21.5 x 16.1 TIRE & WHEEL ASSY - 8 BOLT 10 PLY	1
2.1	R20005	21.5 x 16.1 10 PLY IMPLEMENT TIRE	1
2.2	R20074	RIM FOR 21.5 TIRE - 8 BOLT	1
2.3	R20020	VALVE STEM	1
3	340-55-00-000	18 x 22.5 TRUCK TIRE, TUBE & WHEEL	1
3.1	R20058	8 BOLT WHEEL 13.5 x 22.5	1
3.2	R20011	18 x 22.5 USED TRUCK TIRE	1
3.4	R20050	VALVE STEM FOR TRUCK TIRE	1



18 x 22.5 USED TRUCK TIRE  
**340-55-00-000**



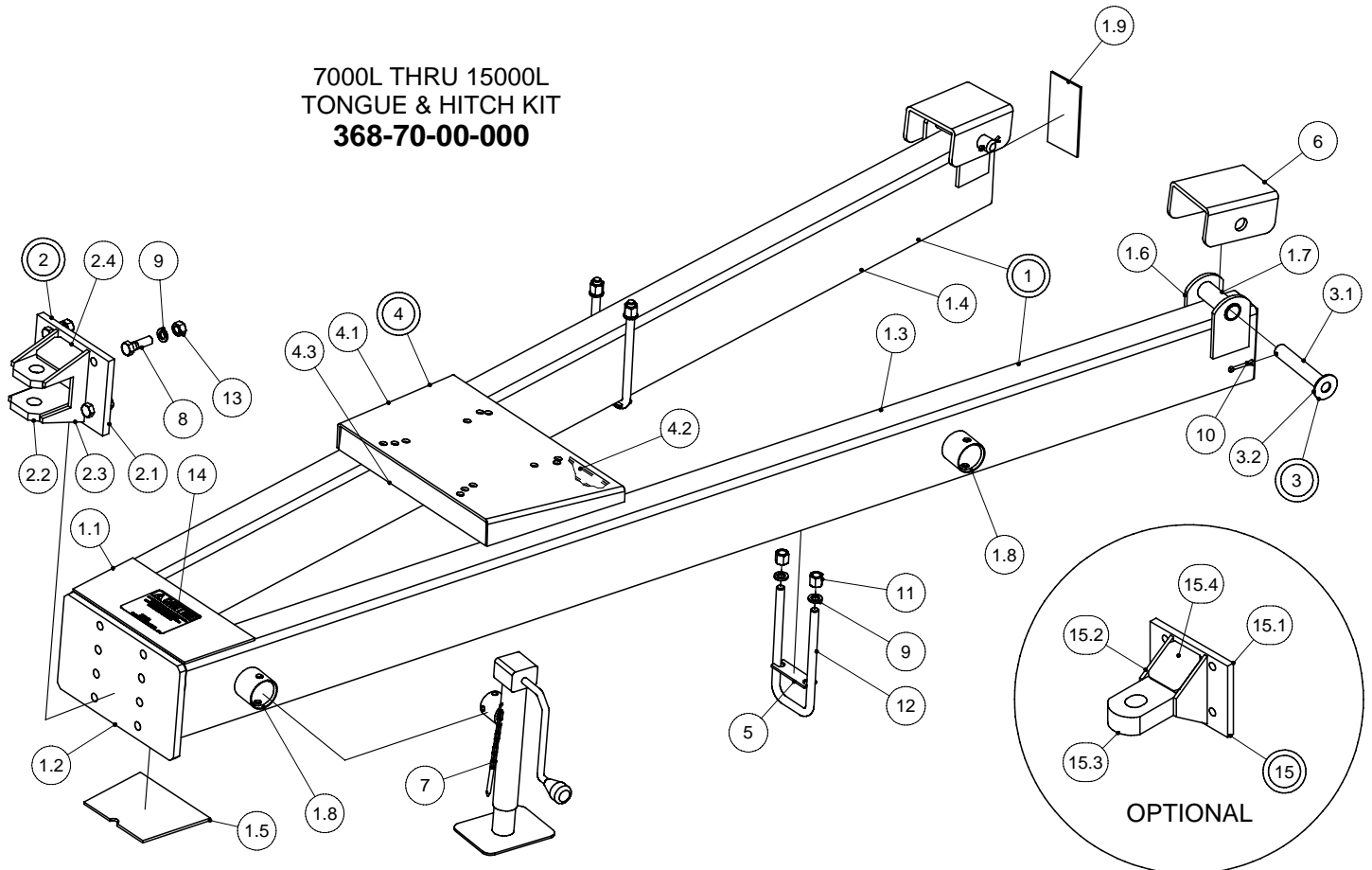
21.5 x 16.1 IMPLEMENT TIRE  
**325-64-00-000**



16.5 x 16.1 IMPLEMENT TIRE  
**300-26-00-000**

# 7000L THRU 15000L VACUUM TONGUE & HITCH KIT

PARTS LIST				PARTS LIST			
ITEM	PART NUMBER	DESCRIPTION	QTY	ITEM	PART NUMBER	DESCRIPTION	QTY
1	364-32-00-000	TONGUE ASSY	1	4.1	368-57-00-233	PUMP MOUNT PLATE	1
1.1	364-32-00-379	TONGUE TUBE UPPER GUSSET	1	4.2	368-57-00-232	LONG REINFORCING BAR	1
1.2	364-35-00-117	HITCH BOLT PLATE	1	4.3	368-57-00-231	SHORT REINFORCING BAR	1
1.3	364-32-00-378	LH TONGUE TUBE - LONG STYLE	1	5	364-00-00-131	U - BOLT SPACER	2
1.4	364-32-00-377	RH TONGUE TUBE - LONG STYLE	1	6	315-31-00-115	TONGUE "U" PC	2
1.5	364-32-00-380	TONGUE TUBE LOWER GUSSET	1	7	R09751	7000LB SIDE WIND JACK	1
1.6	315-36-00-146	TONGUE SIDE PC	4	8	R07655	3/4 x 2 1/2 HEX BOLT	4
1.7	315-36-00-145	TONGUE BUSHING	2	9	R07807	3/4" LOCK WASHER	8
1.8	364-35-00-245	TONGUE JACK BRKT	2	10	R08016	1/4 x 2 COTTER PIN	2
1.9	315-36-00-147	TONGUE TUBE COVER	2	11	R07820	3/4" FED. HIGH HEX NUT	4
2	364-05-00-000	HITCH ASSY	1	12	R08172	3/4" UNF x 10" - "U" BOLT	2
2.1	364-05-00-030	HITCH BACK PLATE	1	13	R07787	3/4 - 10 UNC HEX NUT	4
2.2	364-05-00-031	HITCH PLATE	2	14	R09672	CAUTION PTO LENGTH DECAL	1
2.3	364-05-00-032	HITCH SIDE GUSSET	2	15	364-26-00-000	SINGLE POINT HITCH ASSY	1
2.4	364-05-00-033	HITCH GUSSET	2	15.1	364-05-00-030	HITCH BACK PLATE	1
3	315-39-00-000	LOCK PIN ASSY	2	15.2	364-26-00-092	SINGLE POINT HITCH GUSSET	2
3.1	315-39-00-155	TONGUE LOCK PIN	1	15.3	364-26-00-091	SINGLE POINT HITCH	1
3.2	R07828	1" FLAT WASHER	1	15.4	364-26-00-093	HITCH UPPER & LOWER GUSSET	2
4	368-57-00-000	PUMP MOUNT PLATE ASSY	1				



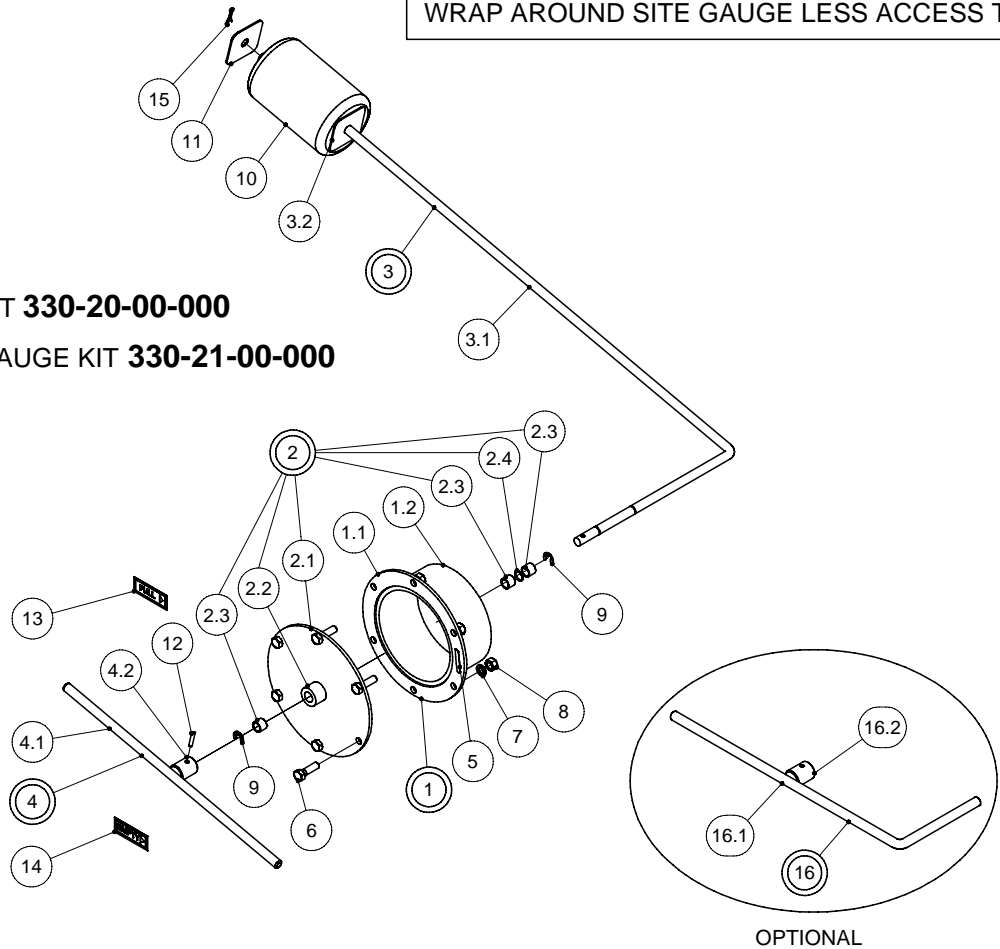
# SIGHT GAUGE KIT

PARTS LIST				PARTS LIST			
ITEM	PART NUMBER	DESCRIPTION	QTY	ITEM	PART NUMBER	DESCRIPTION	QTY
1	330-20-03-000	ACCESS TUBE ASSY	1	5	R04100	SILICONE SEALANT	1
1.1	330-20-03-560	ACCESS TUBE FLANGE	1	6	R07675	3/8 x 1 1/4" HEX BOLT	6
1.2	330-20-03-556	ACCESS TUBE	1	7	R07803	3/8 LOCK WASHER	6
2	330-20-04-000	COVER PLATE ASSY	1	8	R07783	3/8 HEX NUT	6
2.1	330-20-00-557	COVER PLATE	1	9	R07974	EXTERNAL RETAINING RING	2
2.2	330-20-04-562	BUSHING HOLDER	1	10	R09524	FLOAT	1
2.3	R21173	1/2 x 5/8 x 1/2" BRONZE BUSHING	3	11	330-20-01-552	FLOAT STRAPS	1
2.4	R20865	O-RING #11-014	1	12	R08241	3/16 x 1 SS ROLL PIN	1
3	330-20-01-000	FLOAT ARM ASSY	1	13	R09529	"FULL" DECAL	1
3.1	330-20-01-551	FLOAT ARM	1	14	R09530	"EMPTY" DECAL	1
3.2	330-20-01-552	FLOAT STRAPS	1	15	R08021	1/8 x 1 S.S. COTTER PIN	1
4	330-20-02-000	INDICATOR ARM ASSY	1	16	330-21-01-000	WRAP AROUND SITE ARM ASSY	1
4.1	330-20-02-554	INDICATOR ARM	1	16.1	330-19-46-546	WRAP AROUND SITE ARM	1
4.2	330-20-02-553	INDICATOR ARM HUB	1	16.2	330-20-02-553	INDICATOR ARM HUB	1

**330-22-00-000**  
SITE GAUGE LESS ACCESS TUBE

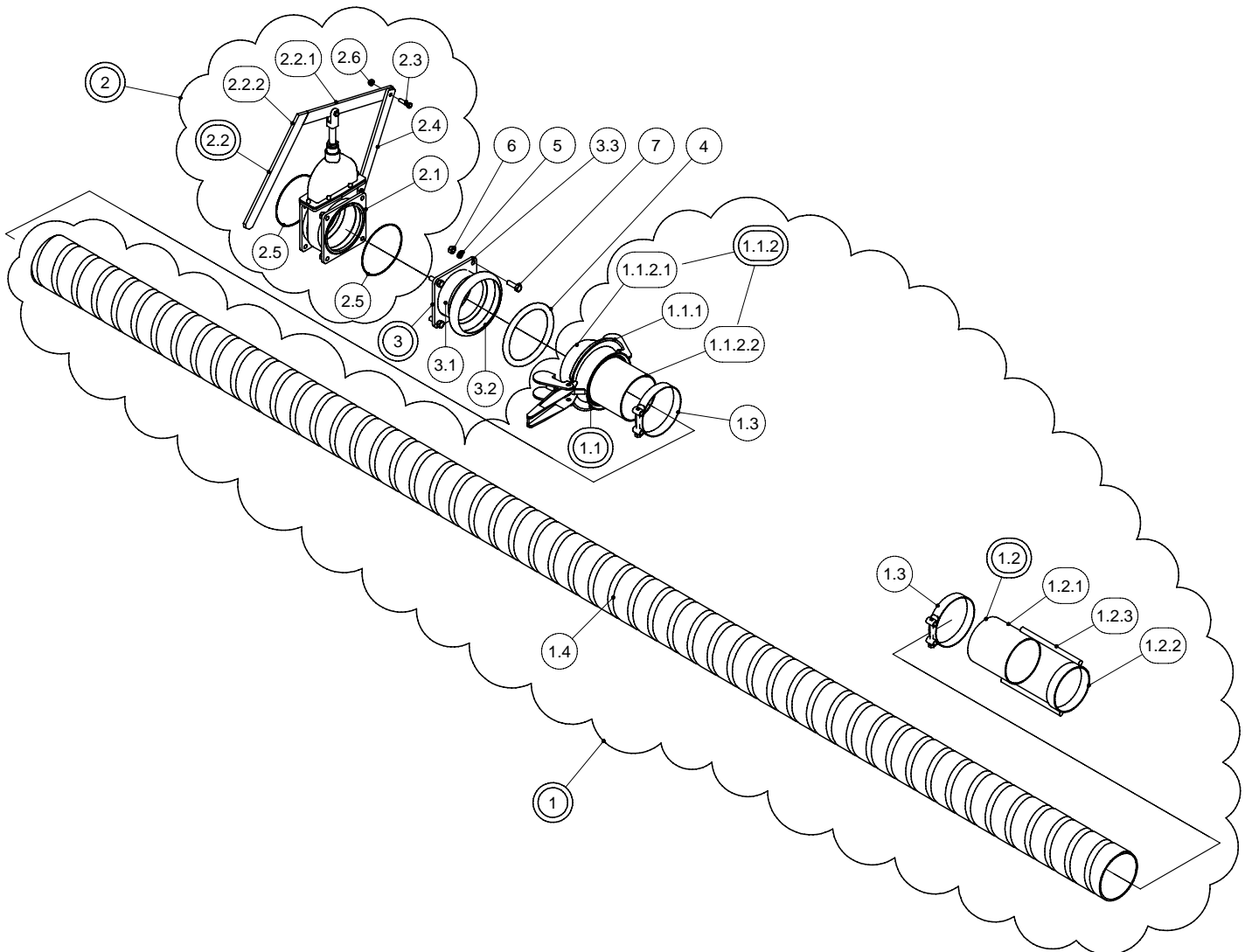
**330-23-00-000**  
WRAP AROUND SITE GAUGE LESS ACCESS TUBE

SIGHT GAUGE KIT **330-20-00-000**  
WRAP AROUND SIGHT GAUGE KIT **330-21-00-000**

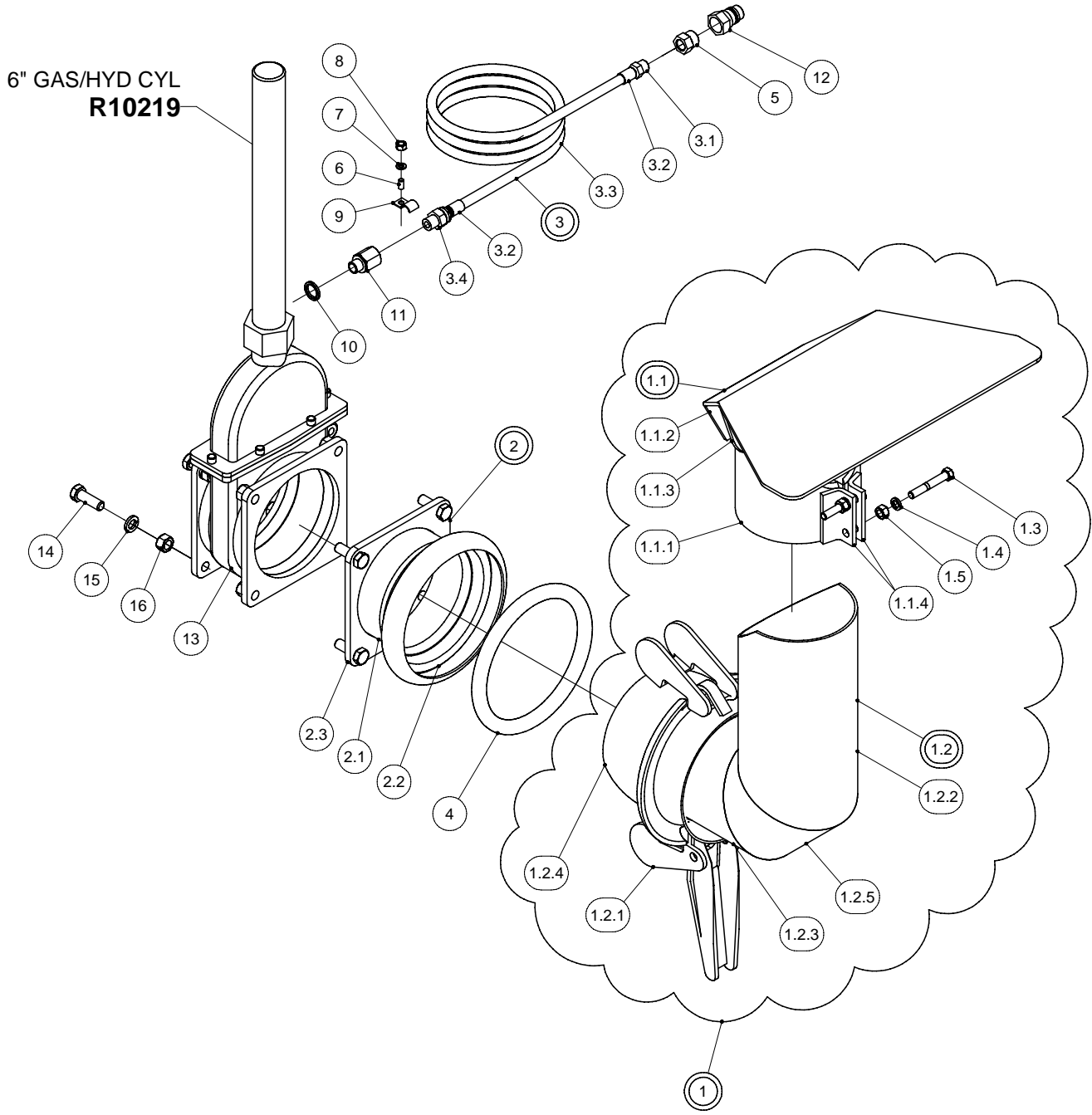


# FILL PORT

PARTS LIST				PARTS LIST			
ITEM	PART NUMBER	DESCRIPTION	QTY	ITEM	PART NUMBER	DESCRIPTION	QTY
1	368-39-00-000	15' SUCTION HOSE KIT	1	2.2.1	368-87-00-358	MANUAL VALVE HANDLE - UPPER PC	1
1.1	368-13-00-000	VALVE TO HOSE CLAMP ASSY	1	2.2.2	368-87-00-359	MANUAL VALVE HANDLE - LOWER PC	1
1.1.1	R09835	159 mm BAUER CLAMP	1	2.3	R07620	3/8 x 1 1/2 HEX BOLT	3
1.1.2	368-13-01-000	6" BAUER BALL & TUBE ASSY	1	2.4	368-00-00-094	6" VALVE PIVOT HANDLE	1
1.1.2.1	R09837	159 mm BAUER BALL	1	2.5	R10374	6" FLANGE "O" RING	2
1.1.2.2	368-12-00-063	SUCTION HOSE PIPE	1	2.6	R07886	3/8 - 2 WAY LOCK NUT	3
1.2	368-12-00-000	SUCTION HOSE PIPE ASSY	1	3	375-97-00-000	6" SOCKET W/FLANGE ASSY	1
1.2.1	368-12-00-063	SUCTION HOSE PIPE	1	3.1	375-97-00-491	6" FLARED EXTENSION PIPE	1
1.2.2	368-12-00-064	SUCTION HOSE LOWER PIPE	1	3.2	R09836	6" BAUER SOCKET	1
1.2.3	368-12-00-065	REINFORCING BARS	2	3.3	368-01-72-351	6" VALVE FLANGE	1
1.3	R02482	6" HOSE CLAMP	2	4	R09838	HK 159mm O-RING	1
1.4	368-00-00-066	SUCTION HOSE	1	5	R07805	1/2 LOCK WASHER	4
2	368-51-00-000	6" MANUAL VALVE WITH HANDLES	1	6	R07785	1/2 HEX NUT	4
2.1	R10415	MANUAL VALVE WITH YOKE	1	7	R07638	1/2 x 1 1/2 HEX BOLT	4
2.2	368-87-00-000	MANUAL VALVE HANDLE ASSY	1				



# REAR DISCHARGE



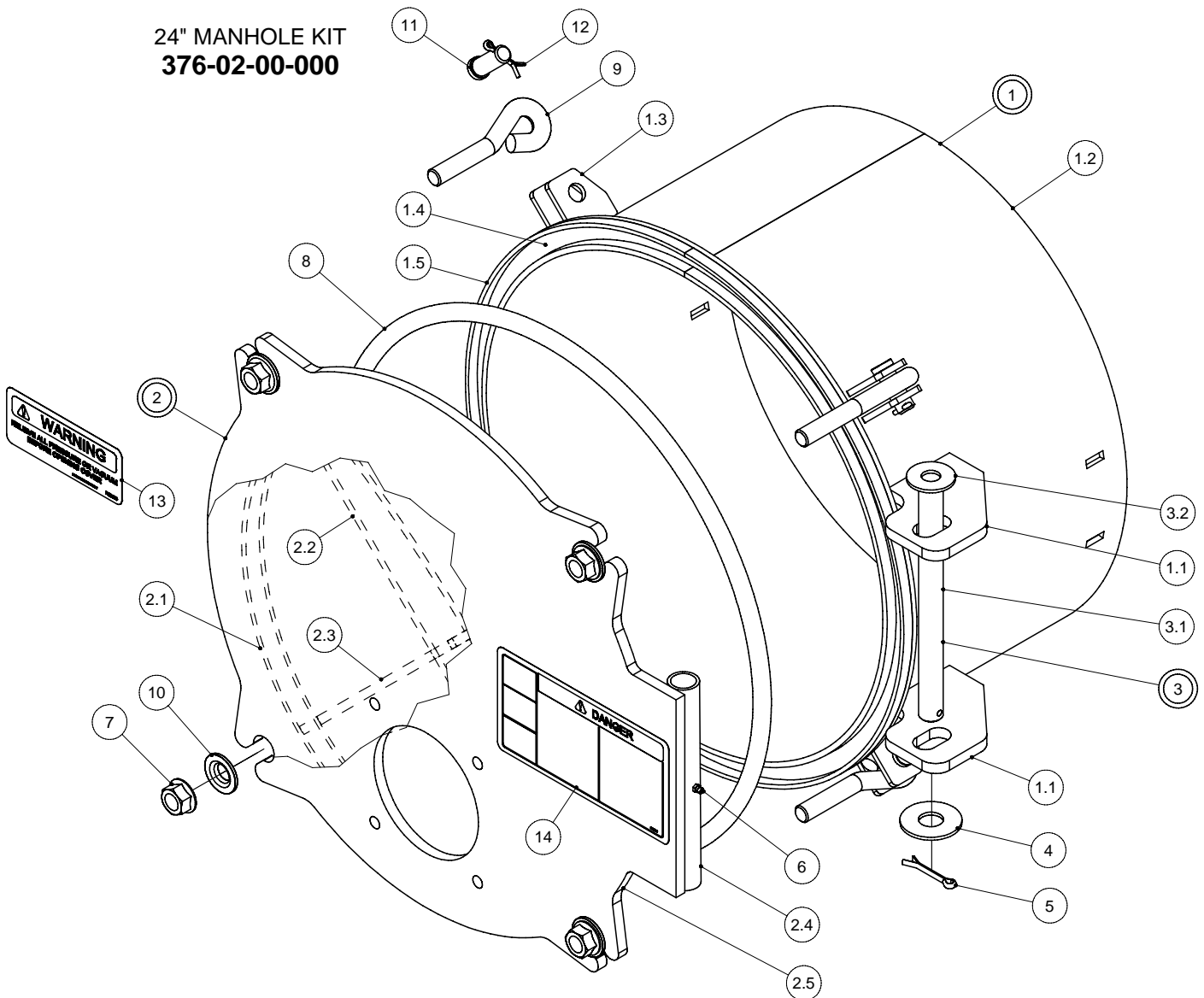
## REAR DISCHARGE

PARTS LIST			
ITEM	PART NUMBER	DESCRIPTION	QTY
1	368-60-00-000	CLAMP & SPLASH PLATE KIT	1
1.1	364-68-00-000	SPLASH PLATE ASSY	1
1.1.1	364-68-00-215	CLAMPING TUBE	1
1.1.2	364-21-00-069	SPLASH PLATE	1
1.1.3	364-21-00-224	SPLASH PLATE WING	2
1.1.4	364-21-00-071	CLAMPING TUBE BRKT	2
1.2	368-60-49-000	DISCHARGE CLAMP AND ELBOW ASSY	1
1.2.1	R09835	159 mm BAUER CLAMP	1
1.2.2	364-25-00-067	DISCHARGE PIPE END PC	1
1.2.3	368-60-49-357	ELBOW BASE PC	1
1.2.4	R09837	159 mm BAUER BALL	1
1.2.5	364-19-00-082	DISCHARGE PIPE CORNER PC	1
1.3	R07622	3/8 x 2 1/2 HEX BOLT	2
1.4	R07803	3/8 LOCK WASHER	2
1.5	R07783	3/8 HEX NUT	2
2	375-97-00-000	6" SOCKET W/FLANGE ASSY	1
2.1	375-97-00-491	6" FLARED EXTENSION PIPE	1
2.2	R09836	6" BAUER SOCKET	1
2.3	368-01-72-351	6" VALVE FLANGE	1
3	366-86-00-000	HYDRAULIC HOSE ASSY - 7000L	1
3	368-85-00-000	HYDRAULIC HOSE ASSY - 9000L & 12000L	1
3	375-80-00-000	HYDRAULIC HOSE ASSY - 15000L & 18000L	1
3	369-84-00-000	HYDRAULIC HOSE ASSY - 14000L	1
3.1	R20803	3/8 - 16 NPT SOLID MALE STEM	1
3.2	R21231	STEEL FERRULE - 1/4"	2
3.3	366-36-00-159	HYDRAULIC HOSE - 7000L	1
3.3	368-37-00-160	HYDRAULIC HOSE - 9000L & 12000L	1
3.3	375-80-00-356	HYDRAULIC HOSE - 15000L & 18000L	1
3.3	369-38-00-161	HYDRAULIC HOSE - 14000L	1
3.4	R20806	3/8 NPT SWIVEL MALE STEM	1
4	R09838	HK 159mm O-RING	1
5	R02043	BUSHING 1/2 x 3/8	1
6	R08301	1/4 x 20 UNC x 1/2" WELD STUD	4
7	R07801	1/4 LOCK WASHER	4
8	R07781	1/4 HEX NUT	4 *
9	R21104	HYD. HOSE CLIPS	4 *
10	R10405	GAS/HYD SEAL WASHER	1 *
11	R22145	M18-1.5F x 3/8 NPT ADAPTER	1 *
12	R21342	1/2" MALE PIONEER TIP	1
13	R10427	6" HYD VALVE-FLANGED	1
14	R07638	1/2 x 1 1/2 UNC HEX BOLT	8
15	R07805	1/2" LOCK WASHER	8
16	R07785	1/2-13 UNC HEX NUT	8

\* VARIES AS PER SIZE OF TANK

## 24" MANHOLE KIT

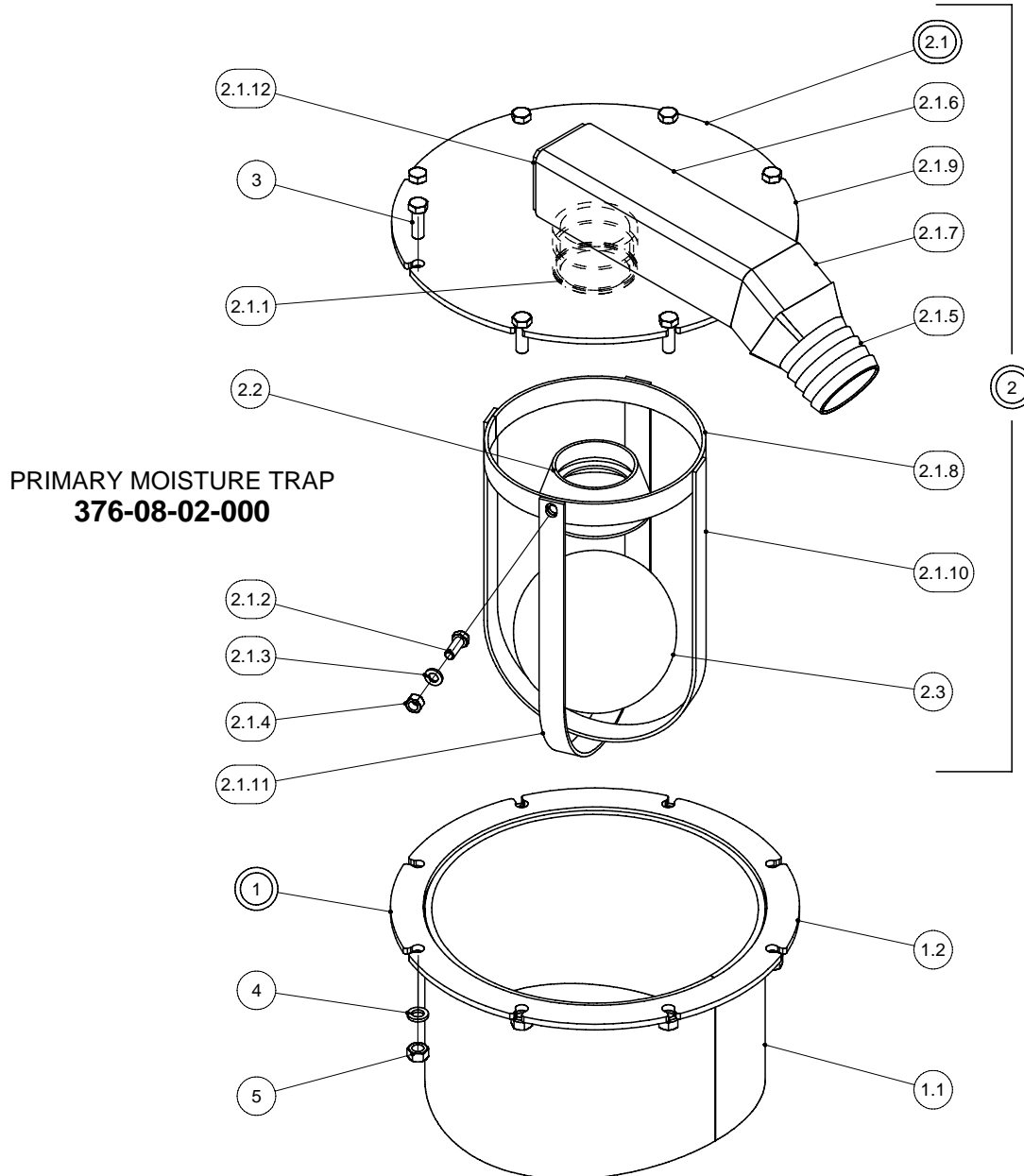
PARTS LIST				PARTS LIST			
ITEM	PART NUMBER	DESCRIPTION	QTY	ITEM	PART NUMBER	DESCRIPTION	QTY
1	376-02-02-000	FLAT VACUUM HATCH MANHOLE ASSY	1	3.1	376-02-04-508	LID PIN	1
1.1	376-02-02-505	MANHOLE HINGE	2	3.2	R07827	3/4" FLAT WASHER	1
1.2	368-64-61-303	24" MANHOLE	1	4	R07828	1" FLAT WASHER	1
1.3	376-02-02-573	MANHOLE LUG	8	5	R08016	1/4 x 2 COTTER PIN	1
1.4	376-02-02-574	MANHOLE RING	1	6	R08183	1/4" - 28 STRAIGHT GREASE FITTING	1
1.5	376-02-02-575	OUTER RUBBER STOP	1	7	R08433	3/4-10 UNC FLANGE NUT	4
2	376-02-01-000	FLAT VACUUM HATCH LID ASSY	1	8	376-02-00-576	ROUND RUBBER SEAL	1
2.1	376-02-01-501	INNER RING	1	9	R08442	3/4" EYE BOLT	4
2.2	376-02-01-503	BOTTOM SUPPORT PLATE	1	10	376-02-00-577	MANWAY WASHER	4
2.3	376-02-01-502	TOP SUPPORT PLATE	1	11	R08443	EYE BOLT PIN	4
2.4	376-02-01-504	HATCH PIN SLEEVE	1	12	R08011	3/16 x 1 1/2 COTTER PIN	4
2.5	376-02-01-578	FLAT VACUUM HATCH LID	1	13	R09668	"RELIEVE ALL PRESSURE" DECAL	1
3	376-02-04-000	LID PIN ASSY	1	14	R10334	TOXIC GAS PICTORAL DECAL	1





# PRIMARY MOISTURE TRAP COMPLETE

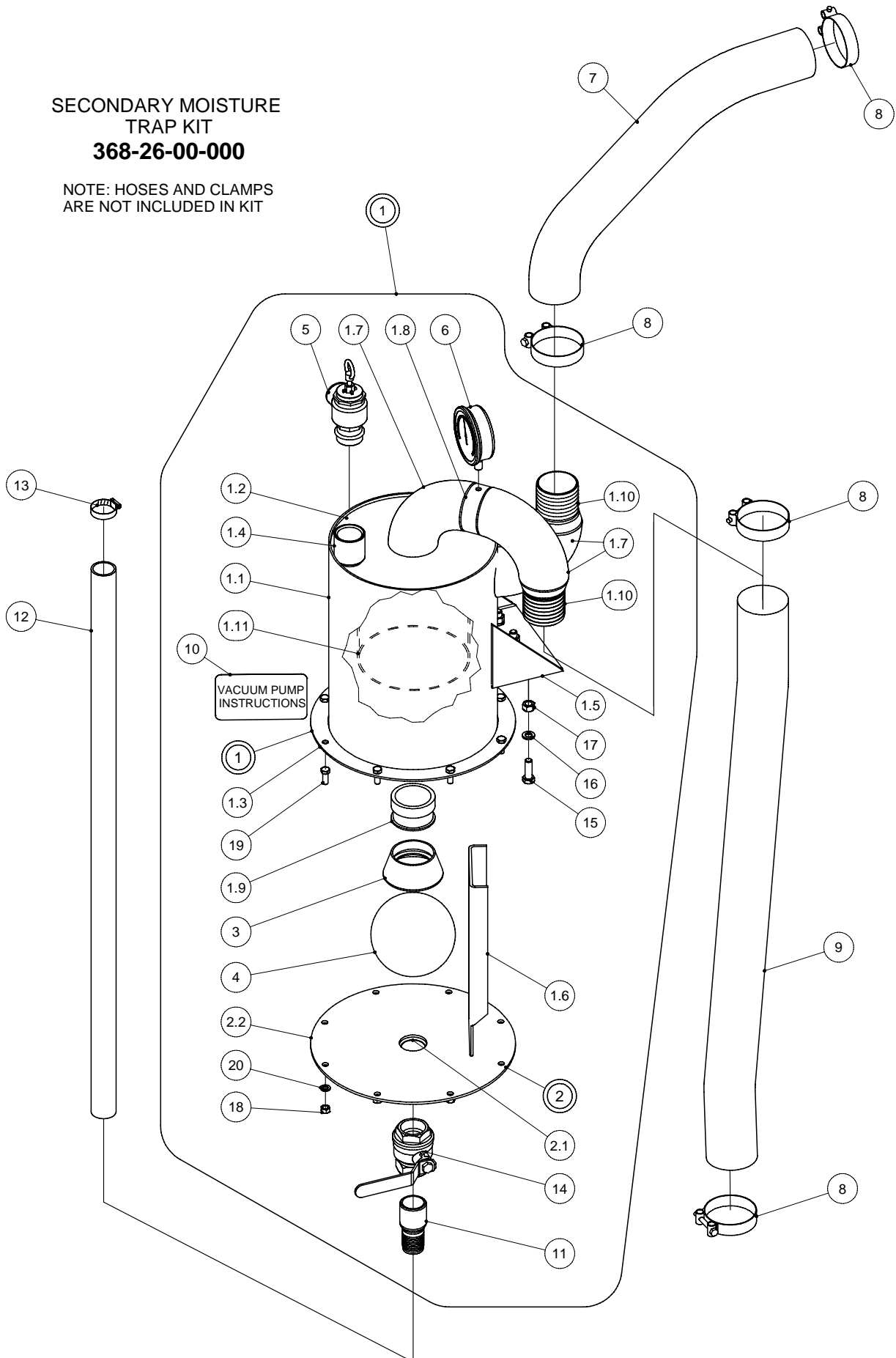
PARTS LIST				PARTS LIST			
ITEM	PART NUMBER	DESCRIPTION	QTY	ITEM	PART NUMBER	DESCRIPTION	QTY
1	376-08-03-000	CAN ASSY	1	2.1.7	376-08-02-648	SHORT INLET TUBE	1
1.1	376-08-03-653	PRIMARY CAN	1	2.1.8	376-08-02-649	INNER SS RING	1
1.2	368-91-01-379	CAN FLANGE	1	2.1.9	376-08-02-650	PRIMARY LID	1
2	376-08-01-000	PRIMARY TRAP CAGE/BALL & RUBBER ASSY	1	2.1.10	376-08-02-651	INNER SS HOOP	1
				2.1.11	376-08-02-652	OUTER SS HOOP	1
2.1	376-08-02-000	PRIMARY TRAP CAGE ASSY	1	2.1.12	376-08-02-654	PRIMARY CAP	1
2.1.1	368-25-20-110	SEAT HOLDER	1	2.2	R09857	RUBBER VALVE SEAT	1
2.1.2	R07619	3/8 x 1 UNC HEX BOLT	1	2.3	R09856	6" STAINLESS STEEL BALL	1
2.1.3	R07803	3/8" LOCK WASHER	1	3	R07671	7/16 x 1 1/4 UNC HEX BOLT	8
2.1.4	R07783	3/8-16 UNC HEX NUT	1	4	R07804	7/16" LOCK WASHER	8
2.1.5	308-62-01-199	BARBED CONNECTOR w/ sq END	1	5	R07784	7/16-14 UNC HEX NUT	8
2.1.6	376-08-02-647	INLET TUBE	1				



# SECONDARY MOISTURE TRAP COMPLETE

## SECONDARY MOISTURE TRAP KIT 368-26-00-000

NOTE: HOSES AND CLAMPS  
ARE NOT INCLUDED IN KIT

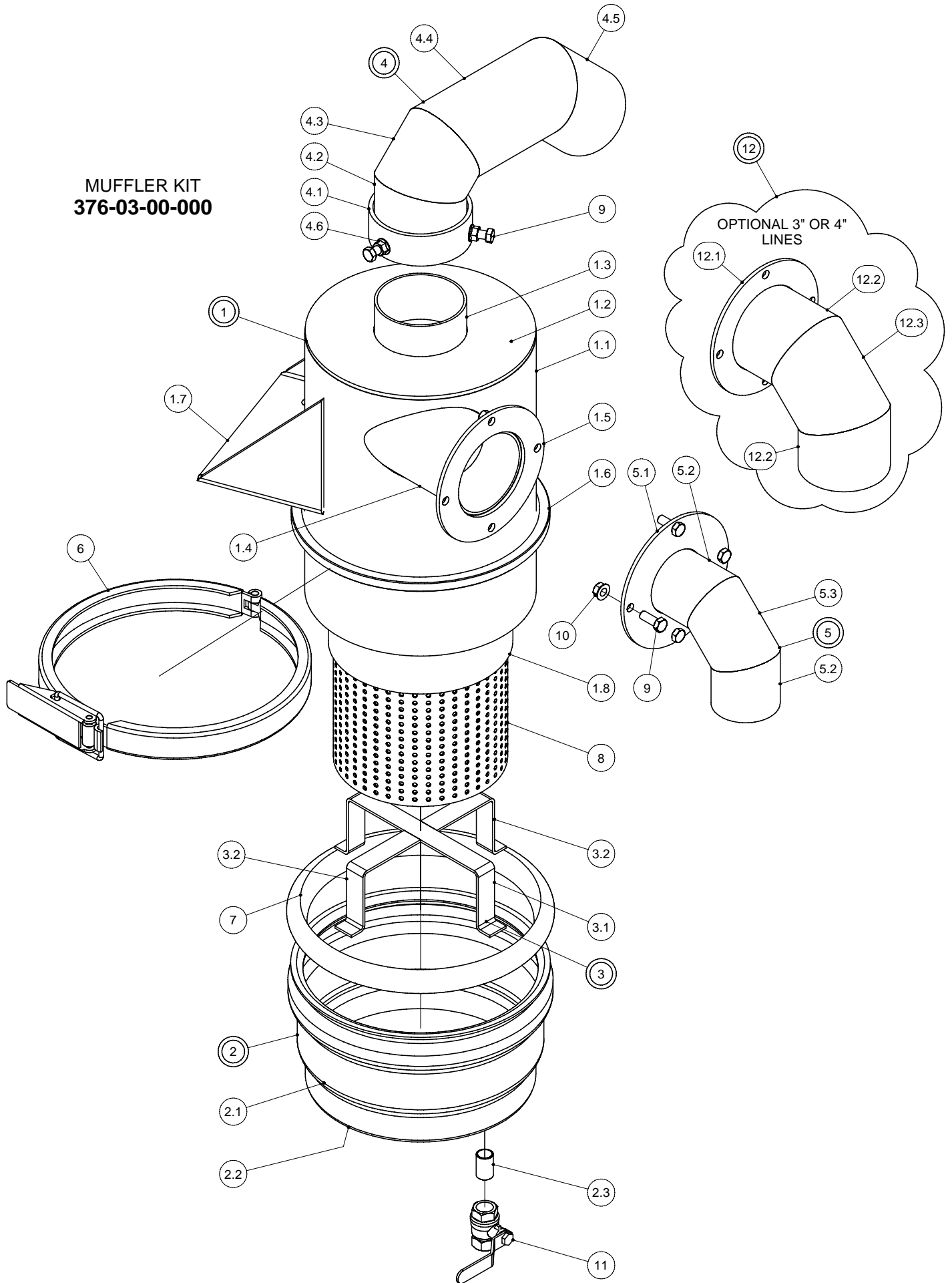


## SECONDARY MOISTURE TRAP COMPLETE

PARTS LIST			
ITEM	PART NUMBER	DESCRIPTION	QTY
1	368-26-22-000	SECONDARY MOISTURE TRAP ASSY	1
1.1	368-26-22-119	SECONDARY TRAP TUBE	1
1.2	368-26-22-120	SECONDARY TRAP LID	1
1.3	368-26-22-121	FLANGE	1
1.4	R02063	1 1/2" COUPLING	1
1.5	368-26-22-128	MOISTURE TRAP BRKT	1
1.6	368-26-22-273	SECONDARY TRAP BAFFLE	1
1.7	R02448	3" WELD ELBOW	3
1.8	368-26-22-123	ELBOW EXTENSION TUBE	1
1.9	368-25-20-110	SEAT HOLDER	1
1.10	368-25-20-114	HALF BARBED CONNECTOR	2
1.11	368-26-22-122	SECONDARY INNER TUBE	1
2	368-26-01-000	COVER PLATE ASSY	1
2.1	R02127	1 1/2 CLOSE NIPPLE	1
2.2	368-26-01-444	COVER PLATE	1
3	R09857	RUBBER VALVE SEAT	1
4	R09856	STAINLESS STEEL BALL	1
5	R09910	PRESSURE RELIEF VALVE	1
6	R09833	PRESSURE VACUUM GAUGE	1
7	368-00-00-068	3" PRESSURE VACUUM HOSE - SHORT	1
8	R02480	3" BAUER SUPER CLAMP	4
9	368-00-00-067	3" PRESSURE VACUUM HOSE LONG 12 & 14000L	1
	367-00-00-151	3" PRESSURE VACUUM HOSE LONG 9000L	1
	366-00-00-150	3" PRESSURE VACUUM HOSE LONG 7000L	1
	365-00-00-206	3" PRESSURE VACUUM HOSE LONG 5800L	1
10	R09733	VAC. PUMP INSTRUCTIONS DECAL	1
11	R02453	1 1/2" COMBINATION NIPPLE	1
12	368-00-00-070	DRAIN HOSE - 7000L & UP	1
	365-00-00-207	DRAIN HOSE - 5800L	1
13	R02232	1 1/2" GEAR CLAMP	1
14	R02455	1 1/2 NPT Ball Valve	1
15	R07638	1/2 x 1 1/2 UNC HEX BOLT	3
16	R07805	1/2" LOCK WASHER	3
17	R07785	1/2-13 UNC HEX NUT	3
18	R07783	3/8-16 UNC HEX NUT	8
19	R07619	3/8 x 1 UNC HEX BOLT	8
20	R07803	3/8" LOCK WASHER	8

# MUFFLER KIT

MUFFLER KIT  
376-03-00-000



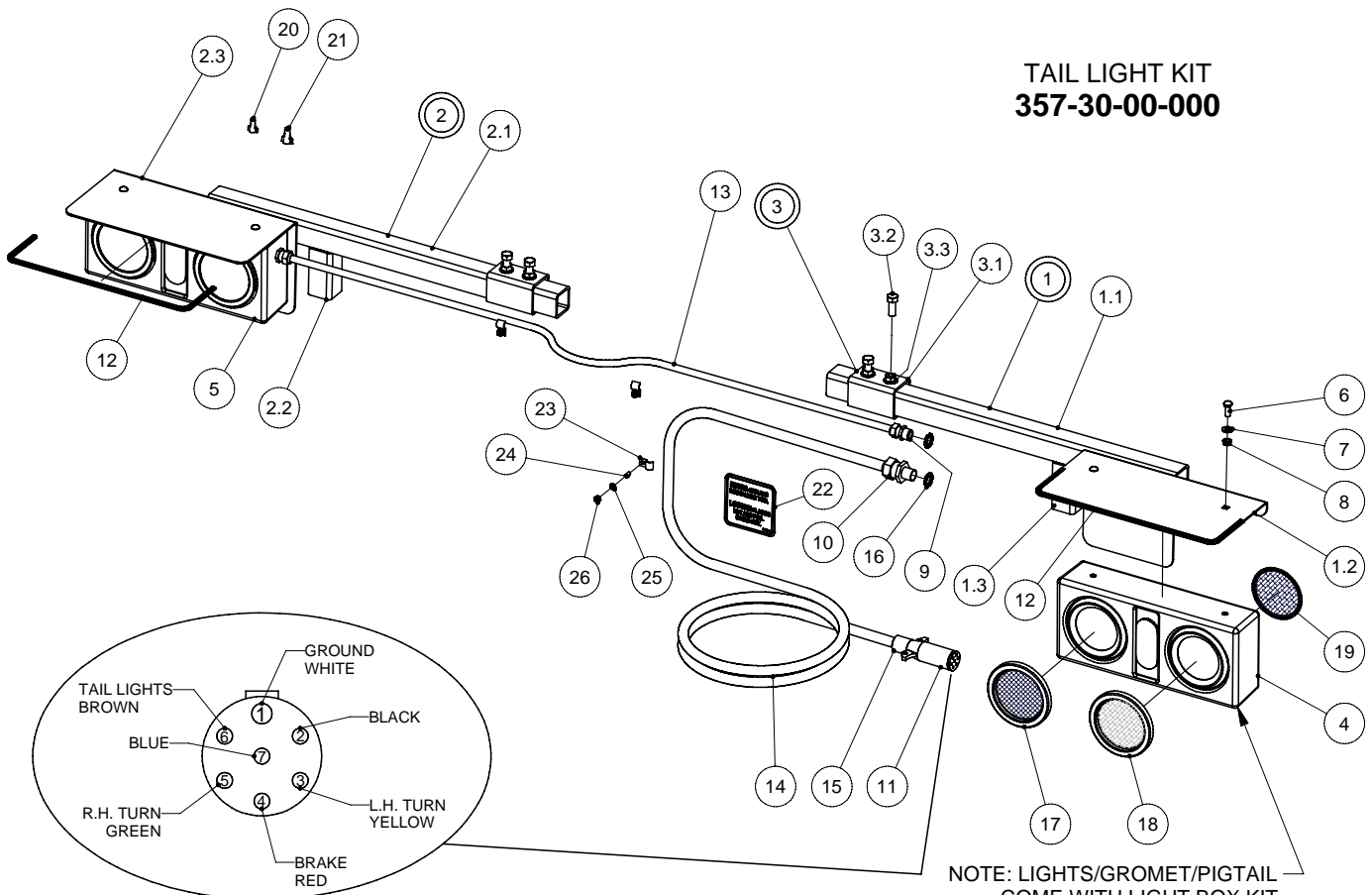
# MUFFLER KIT

PARTS LIST			
ITEM	PART NUMBER	DESCRIPTION	QTY
1	376-03-01-000	UPPER CAN ASSY	1
1.1	368-59-01-456	UPPER CAN	1
1.2	368-59-01-457	UPPER CAN TOP	1
1.3	368-59-01-455	ELBOW EXTENSION TUBE	1
1.4	368-59-47-263	4" SIDE INLET	1
1.5	368-59-47-440	4" MUFFLER FLANGE	1
1.6	286-00-00-059	RING FOR STEEL ELBOW	1
1.7	368-59-01-492	MUFFLER BRKT	1
1.8	376-03-01-510	INNER MESH TUBE	1
2	368-59-03-000	BOTTOM CAN ASSY	1
2.1	R02499	10" FEMALE CIRCLOCK COUPLING	1
2.2	368-59-03-454	BOTTOM CAP	1
2.3	R02123	1/2" CLOSE NIPPLE	1
3	376-03-02-000	STAND ASSY	1
3.1	376-03-02-511	SINGLE STAND	1
3.2	376-03-02-512	HALF STAND	2
4	368-59-06-000	PIPE ASSY	1
4.1	368-59-06-469	LOCK COLLAR	1
4.2	368-59-06-458	PIPE PC #1	1
4.3	368-59-06-459	PIPE PC #2	1
4.4	368-59-06-460	PIPE PC #3	1
4.5	368-59-06-461	PIPE PC #4	1
4.6	R07794	3/8-16 UNC FLANGE NUT	3
5	368-59-04-000	3" EXTENSION TUBE ASSY	1
5.1	368-59-04-462	3" MUFFLER FLANGE	1
5.2	368-59-04-463	3" EXTENSION TUBE	2
5.3	368-59-04-493	EXTENSION TUBE MID PC	1
6	R02500	10" BANDLOC CLAMP	1
7	R02852	10" CL GASKET	1
8	R00617	S.S.KNITTED WIRE MESH	1
9	R07619	3/8 x 1 UNC HEX BOLT	7
10	R07794	3/8-16 UNC FLANGE NUT	4
11	R02473	1/2 NPT Ball Valve	1
12	368-59-05-000	4" EXTENSION TUBE ASSY	1
12.1	368-59-47-440	4" MUFFLER FLANGE	1
12.2	368-59-05-464	4" EXTENSION TUBE	2
12.3	368-59-05-494	4" ELBOW MIDDLE PC	1

# TAIL LIGHT KIT

PARTS LIST				PARTS LIST			
ITEM	PART NUMBER	DESCRIPTION	QTY	ITEM	PART NUMBER	DESCRIPTION	QTY
1	357-30-01-000	RH LIGHT BAR ASSY	1	10	R10357	3/4" NYLON TITE CONNECTOR	1
1.1	357-30-01-171	LIGHT BAR	1	11	R10095	7 POLE CONNECTOR	1
1.2	357-30-01-172	RH LITE BOLT PLATE	1	12	357-30-00-311	SAFETY EDGING	2
1.3	357-30-01-173	STUB BAR	1	13	R04046	4-WIRE TRAILER CABLE - APPROX. 4M	1
2	357-30-02-000	LH LIGHT BAR ASSY	1	14	R04235	14/6 TRAILER CABLE - APPROX. 10.5M	1
2.1	357-30-01-171	LIGHT BAR	1	15	R09636	RUBBER BOOT	1
2.2	357-30-01-173	STUB BAR	1	16	R10345	1/2" ELECTRICAL BOX LOCK NUT	3
2.3	357-30-02-245	LH LITE BOLT PLATE	1	17	R10087	RED LIGHT KIT	2
3	357-30-03-000	MOUNT BRKT ASSY	2	18	R10347	AMBER LIGHT KIT w/ CLEAR BACK	2
3.1	357-30-03-174	MOUNT BRKT	1	19	R10346	AMBER REPLACEMENT LENS	2
3.2	R07674	1/2 x 1 1/4 HEX BOLT	2	20	R04343	#451 YELLOW WING NUT CONNECTOR	8
3.3	R07795	1/2" UNC FLANGE NUT	2	21	R04422	#452 RED WING NUT CONNECTOR	2
4	R10349	RH LAMP BOX w/ 2 LAMPS	1	22	R09808	CABLE - LIGHT BOX DECAL	1
5	R10348	LH LAMP BOX w/ 2 LAMPS	1	23	R21104	HYD. HOSE CLIPS	12
6	R07721	3/8 x 1 CARRIAGE BOLT	4	24	R08301	1/4 x 20 UNC x 1/2" WELD STUD	12
7	R07823	3/8 FLAT WASHER	4	25	R07801	1/4" LOCK WASHER	12
8	R07794	3/8 FLANGE NUT	4	26	R07781	1/4-20 UNC HEX NUT	12
9	R10193	1/2" NYLON TITE CONNECTOR	2				

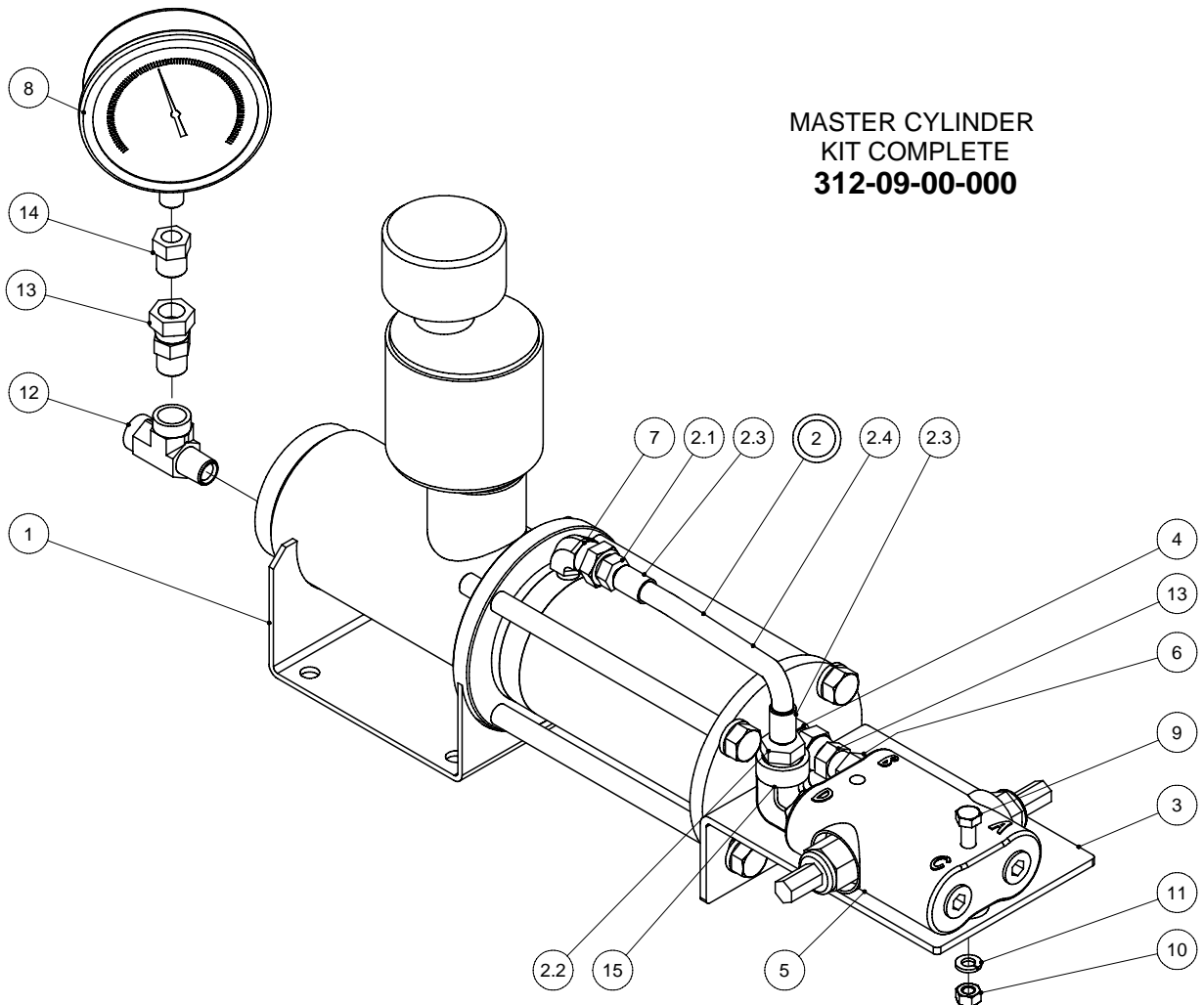
## TAIL LIGHT KIT 357-30-00-000



WIRING DIAGRAM  
FOR 7 POLE CONNECTOR

# MASTER CYLINDER KIT COMPLETE

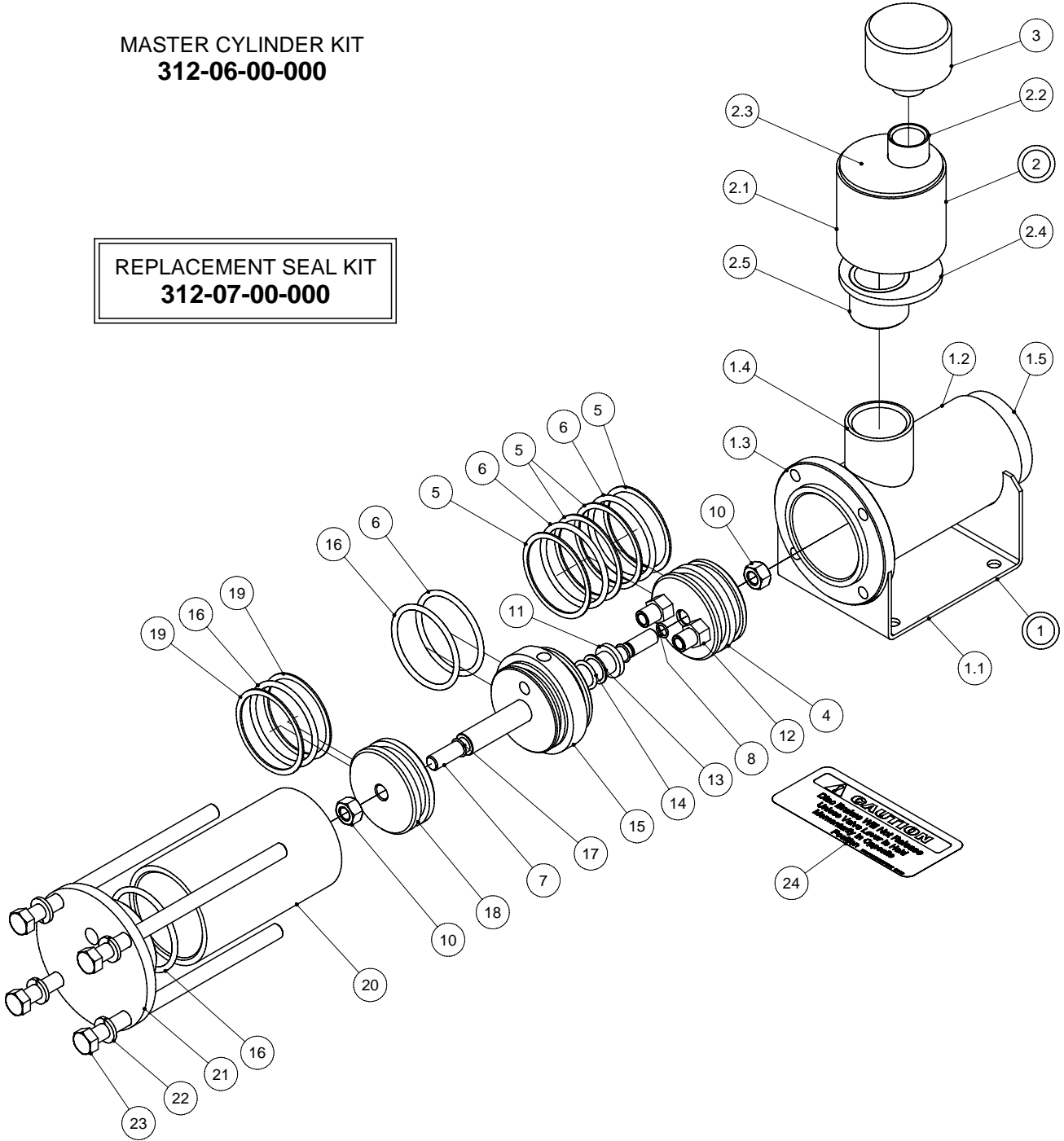
PARTS LIST			
ITEM	PART NUMBER	DESCRIPTION	QTY
1	312-06-00-000	MASTER CYLINDER KIT	1
2	312-06-05-000	HYD HOSE ASSY	1
2.1	R20803	3/8 - 16 NPT SOLID MALE STEM	1
2.2	R20804	1/4 STEM 1/2 NPT SOLID MALE STEM	1
2.3	R21231	STEEL FERRULE - 1/4"	2
2.4	312-06-05-048	1/4" RUBBER HYD HOSE	1
3	312-09-00-054	RELIEF VALVE MOUNT PLATE	1
4	R21397	3/8" HYDRAULIC NIPPLE	1
5	R21209	DUAL RELIEF VALVE	1
6	R02043	BUSHING 1/2 x 3/8	1
7	R21334	1/4 x 3/8-90 DEG SWIVEL ADAPTER	1
8	R21250	PRESSURE GAUGE	1
9	R07614	5/16" x 2 1/2 HEX BOLT	1
10	R07812	5/16 HEX NUT	1
11	R07802	5/16 LOCK WASHER	1
12	R22247	3/8 TEE - MxFxF	1
13	R20812	3/8"M X 3/8"F NPT ST SWIVEL ADAPTOR	2
14	R02042	1/4" X 3/8" BUSHING	1
15	R21367	1/2 X 90 HYD ELBOW	1



# MASTER CYLINDER KIT

MASTER CYLINDER KIT  
312-06-00-000

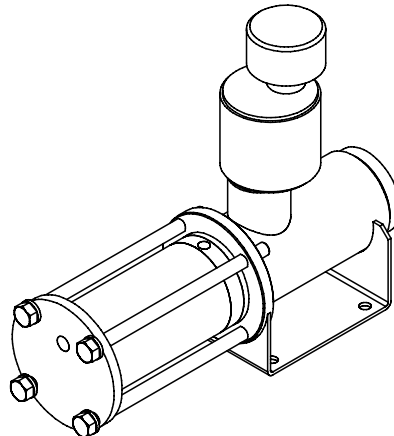
REPLACEMENT SEAL KIT  
312-07-00-000





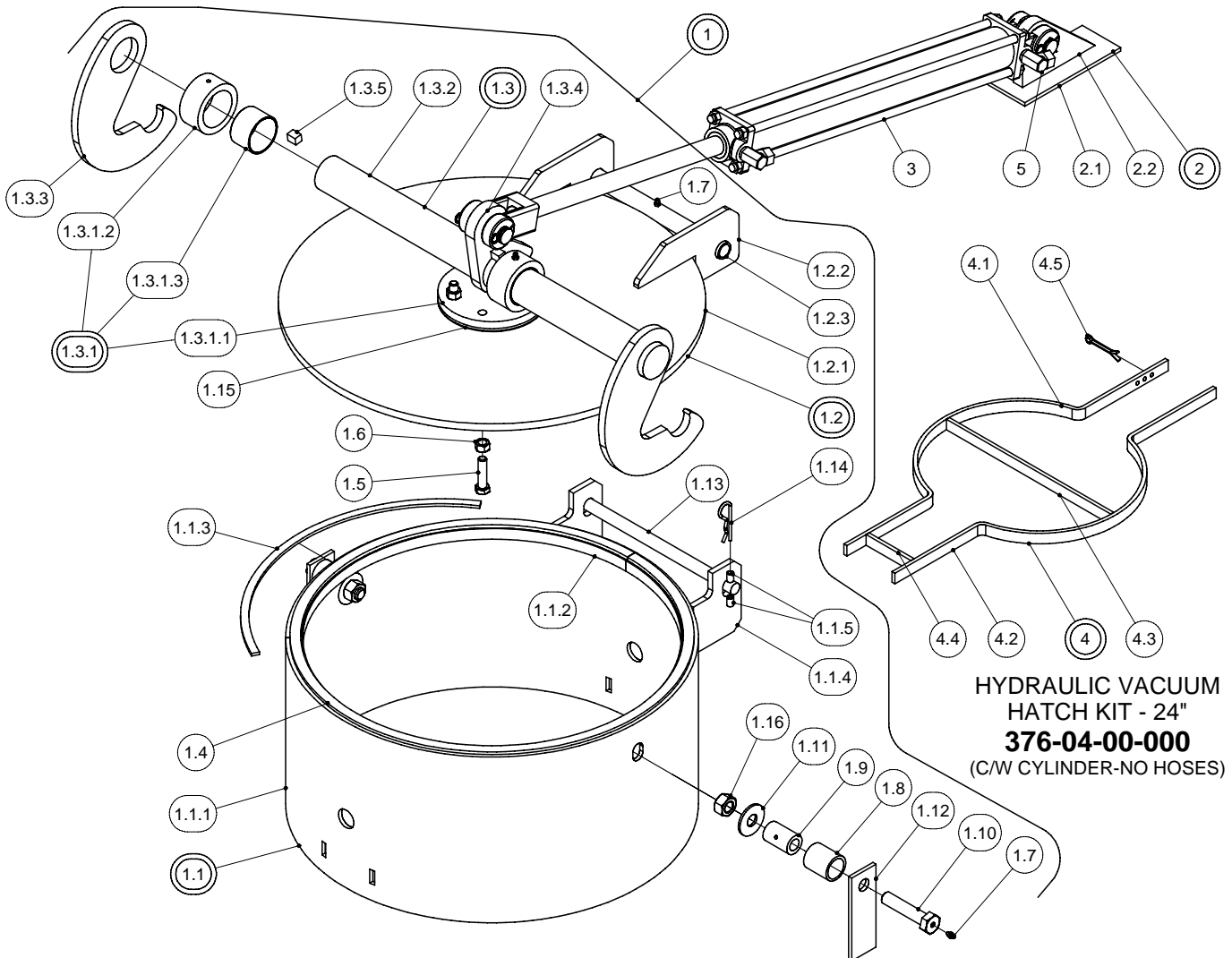
# MASTER CYLINDER KIT

PARTS LIST			
ITEM	PART NUMBER	DESCRIPTION	QTY
1	312-06-02-000	MASTER CYLINDER TUBE ASSY	1
1.1	312-06-02-034	MOUNT PLATE	1
1.2	312-06-02-030	MASTER CYLINDER TUBE	1
1.3	312-06-02-031	MASTER CYLINDER FLANGE	1
1.4	312-06-02-033	COUPLER	1
1.5	312-06-02-032	MASTER CYLINDER END CAP	1
2	312-06-03-000	RESEVOIR ASSY	1
2.1	312-06-03-041	RESERVOIR TUBE	1
2.2	312-06-03-045	RESERVOIR COUPLING	1
2.3	312-06-03-042	RESEVOIR TOP PLATE	1
2.4	312-06-03-043	RESEVOIR BOTTOM PLATE	1
2.5	312-06-03-046	RESERVOIR NIPPLE	1
3	R21103	FILLER BREATHER	1
4	312-06-00-039	MASTER CYLINDER PLUNGER	1
5	R20873	TEFLON BACK UP #334	4
6	R20868	EP "O" RING #334 (2 5/8 x 3/16")	3
7	312-06-00-040	SHAFT	1
8	R20869	EP "O" RING 012 (3/8 x 1/2 x 1/16")	1
9	R20870	EP "O" RING 014 (1/2 x 5/8 x 1/16")	1
10	R07885	1/2 - 2 WAY LOCK NUT	2
11	R20774	3/4" HYTREL ROD WIPER 52-750	1
12	R21207	3/8" CHECK VALVE	2
13	R20874	3/4" HYTREL ROD WIPER 52-750	1
14	R20871	EP "O" RING 210 (3/4 x 1 x 1/8")	1
15	312-06-00-037	CYLINDER DIVIDER BLOCK	1
16	R20836	"O" RING #11-334 (2 5/8 x 3 x 3/16")	3
17	R20865	O-RING #11-014	1
18	312-06-00-038	HYDRAULIC PLUNGER	1
19	R20837	BACK UP #8-334	2
20	312-06-00-035	HYDRAULIC CYLINDER TUBE	1
21	312-06-00-036	HYDRAULIC CYLINDER END CAP	1
22	R07805	1/2 LOCK WASHER	4
23	R08434	1/2 x 13 UNC x 8 1/2" HEX BOLT	4
24	R09689	"CAUTION" DECAL	1

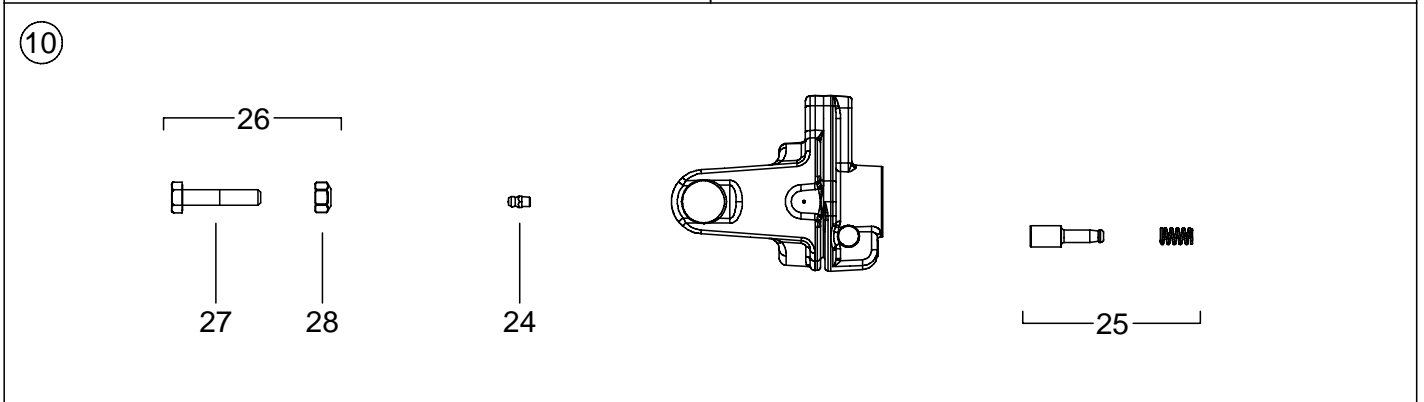
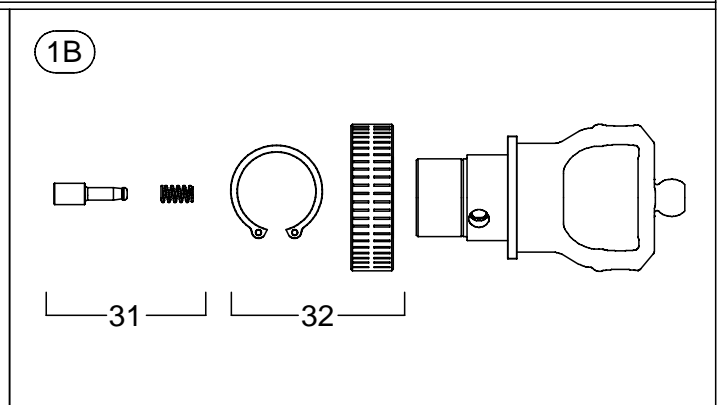
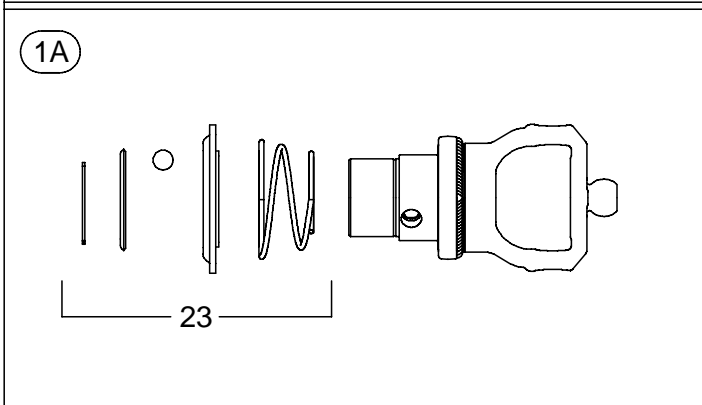
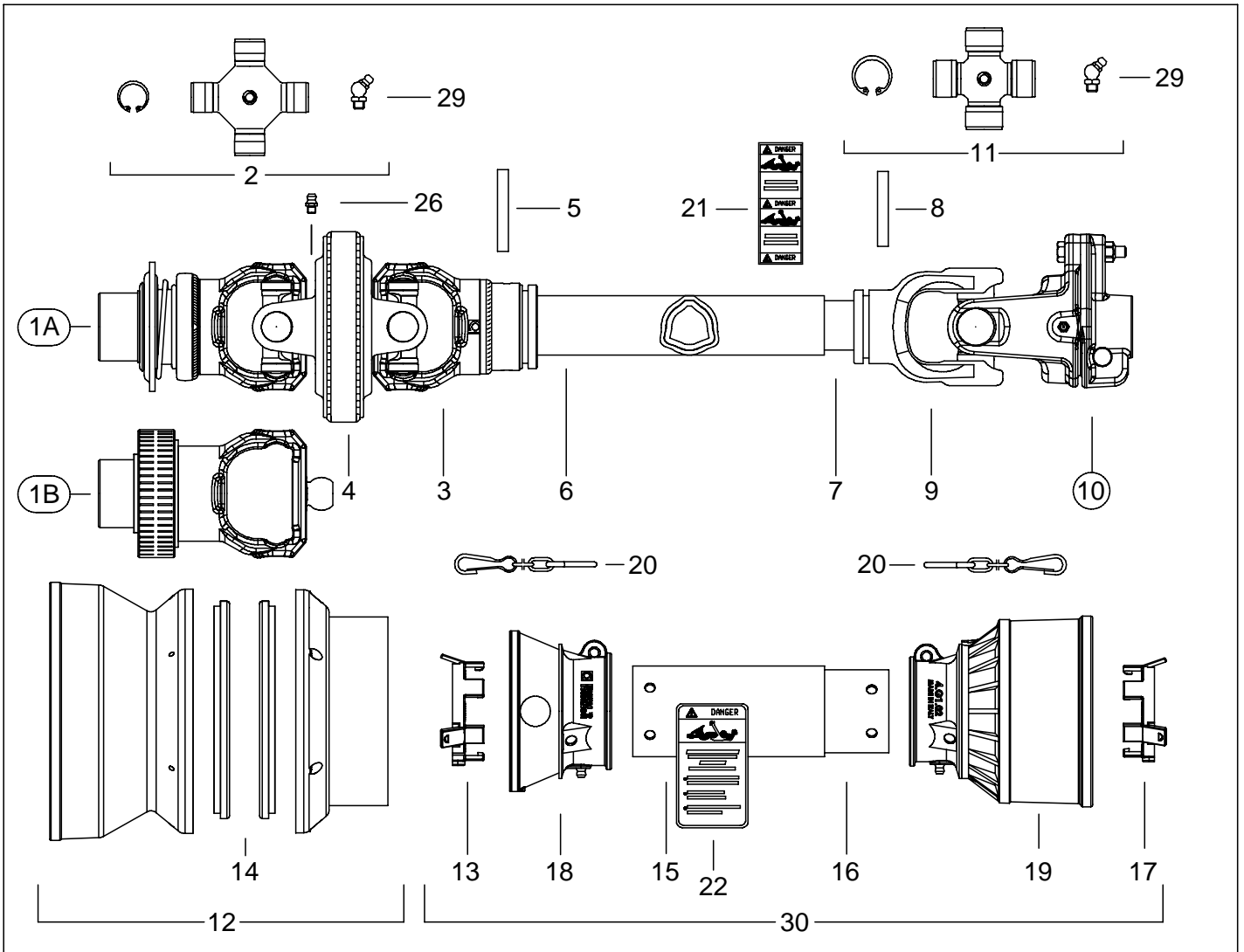


# HYDRAULIC VACUUM HATCH KIT

PARTS LIST				PARTS LIST			
ITEM	PART NUMBER	DESCRIPTION	QTY	ITEM	PART NUMBER	DESCRIPTION	QTY
1	376-04-01-000	HYDRAULIC VACUUM HATCH LESS HYD.	1	1.6	R07785	1/2-13 UNC HEX NUT	4
1.1	376-04-02-000	MANHOLE ASSY	1	1.7	R08183	1/4" - 28 STRAIGHT GREASE FITTING	5
1.1.1	376-04-02-536	MANHOLE	1	1.8	368-54-00-293	ROLLER SLEEVE	2
1.1.2	376-04-02-537	ANGLE RING	1	1.9	368-54-00-292	LOCKING SHAFT	2
1.1.3	376-04-02-532	O RING SPACER	3	1.10	368-54-00-291	LOCKING BOLT	2
1.1.4	368-54-54-283	HINGE BRKT	2	1.11	R07827	3/4" FLAT WASHER	2
1.1.5	368-54-54-284	HINGE BRKT SLEEVE	2	1.12	368-54-00-294	LOCKING BOLT SUPPORT	2
1.2	376-04-03-000	VACUUM LID ASSY	1	1.13	368-54-00-281	HINGE PIN	1
1.2.1	376-04-03-533	LID	1	1.14	R07948	5/32 HAIR PIN	1
1.2.2	368-54-52-276	HINGE	2	1.15	368-54-00-296	SHIM	1
1.2.3	368-54-52-278	LID SLEEVE	1	1.16	R07787	3/4 - 10 UNC HEX NUT	2
1.3	376-04-04-000	CROSS SHAFT & DOG ASSY	1	2	368-54-02-000	CYLINDER BRKT ASSY	1
1.3.1	368-54-63-000	VACUUM LID BUSHING HOLDER ASSY	1	2.1	368-54-02-425	CYLINDER BRKT BASE PLATE	1
1.3.1.1	368-54-63-310	BUSHING HOLDER PLATE	1	2.2	368-54-00-295	CYLINDER BRKT	1
1.3.1.2	368-54-53-280	BUSHING HOLDER	2	3	R20732	2 x 20 HYDRAULIC CYLINDER	1
1.3.1.3	R21176	2 3/16 ID x 2 3/8 OD x 1 1/2 BUSHING	2	4	357-63-00-000	SAFETY BAR ASSY	1
1.3.2	376-04-04-534	CROSS SHAFT	1	4.1	357-63-00-320	SAFETY BAR	1
1.3.3	368-54-62-308	LOCKING DOG	2	4.2	357-63-00-332	SAFETY BAR	1
1.3.4	368-54-00-286	PIVOT BRKT	1	4.3	357-63-00-321	CROSS SAFETY BAR	1
1.3.5	368-54-62-329	STOP	2	4.4	357-63-00-322	STOP BAR	1
1.4	376-04-01-535	MANHOLE HATCH SEAL	1	4.5	R08016	1/4 x 2 COTTER PIN	1
1.5	R07639	1/2 x 2 UNC HEX BOLT	4	5	R21366	3/8" x 90° NPT STREET ELBOW	2



PTO - VACUUM



## PTO - VACUUM

R21592 - 1 3/8" 6 TOOTH - 540 RPM

R21593 - 1 3/8" 21 TOOTH - 1000 RPM

R21585 - 1 3/4" 20 TOOTH - 1000 RPM

Table				
ITEM	MFG #	PART NUMBER	DESCRIPTION	QTY
1A		R22204	#4 1 3/8" CV YOKE-21T SLIDING COLLAR YOKE	1
		R22203	#4 1 3/8" CV YOKE-6T SLIDING COLLAR YOKE	1
1B	573043875	R21712	#4 1 3/4" CV YOKE-20T SLIDING COLLAR YOKE	1
2	4120440012	R21682	CROSS KIT	2
3	215046854	R21686	SHEAR YOKE	1
4	511040051	R21685	CENTRAL BODY	1
5	341038000	R21475	FLEXIBLE ROLL PIN - OUTER	1
6	225310630	R21689	CARDIN DRIVE TUBE - OUTER	1
7	245100630	R21690	CARDIN DRIVE TUBE - INNER	1
8	341048000	R21476	FLEXIBLE ROLL PIN - INNER	1
9	204046852	R21472	INNER TUBE YOKE	1
10	606404001	R21473	LB4/N4 1-3/8" Z6 1700NM PUSH PIN	1
11	41204	R21693	CROSS KIT #4 27x74.6	1
12	517048001	R21703	CONE KIT	1
13	255040005	R21696	SHIELD BEARING #3/4 OUTER	1
14	255040351	R21702	RING NUT DOWELS	2
15	236680577	R21698	OUTER TUBE	1
16	236670577	R21699	INNER TUBE	1
17	255040006	R21701	SHIELD BEARING #3/4 INNER	1
18	43500315R	R21485	CONE	1
19	517040061	R21700	SAFETY CONE	1
20	252000050R02	R21738	COMPLETE CHAIN	3
21	399143000	R21523	DANGER LABEL - OUTER DRIVE TUBE	1
22	399141000	R21521	DANGER/SHIELD LABEL	1
23	435000302R	R21673	BALL COLLAR KIT 1-3/8" 6T & 21T	1
24	348017000R20	R21687	GREASE FITTING M6x1 STRAIGHT	2
25	401000001	R21451	COMPLETE PUSH PIN 1-3/8" 6T	1
26	432000047R05	357-36-00-000	M8x1.25x45 SHEAR BOLT AND NUT - 5/PKG	1
27		R08251	M8x45 BOLT	1
28		R08252	M8 NUT	1
29	348004000	R21655	GREASE FITTING 45°	1
30	5F04121E1654	R22182	GUARD KIT	1
31	403000001	R21669	COMPLETE PUSH BUTTON - 1 3/4" - 20T	1
32	240080061	R21670	HUB - 1 3/4" - 20T	1

## **HUSKY FARM EQUIPMENT LIMITED**

ALMA, ON

NOB 1A0

PHONE: (519) 846-5329

FAX: (519) 846-9378

### **FIVE YEAR AXLE WARRANTY**

Husky Farm Equipment Limited will guarantee for five (5) years from date of invoice, all Manure Spreader undercarriages and axle assemblies, if used on a farm for farm purposes.

Husky will replace free of charge:

1. Any part of the axle which should break or collapse through normal use.
2. Any spindles or hubs which should break through normal use.
3. Any wheel and rim assemblies which should fail through normal use.

Exempt from extended warranty are:

1. Any part of the axle which should break or collapse through overload. Overload includes: Any attachments (ie. injectors) and any product being transported in Spreader weighing more than 10 lb/gallon. (ie. manure mixed with sand).
2. Bearings and tires which are covered under normal warranty and do require maintenance to avoid failure.
3. Wheel or rim damage resulting from owner failing to keep wheel bolts tight.
4. Spindles damaged through bearing failure.
5. Any axle that is custom built.
6. Any axle used in commercial custom hauling applications.

To qualify for extended warranty, damaged parts must be returned to Husky Farm Equipment Limited, prepaid shipping, along with serial number and copy of the original invoice.

All parts supplied by Husky on warranty, will be shipped freight collect. Extended warranty covers damaged parts only and does not cause liability on Husky for any damage resulting from such failure.

### **TEN YEAR WARRANTY AGAINST RUSTOUT**

Husky Farm Equipment provides a ten (10) year warranty from date of invoice, against premature perforation (rust out) of any liquid manure spreader manufactured. Providing the manure spreader is used for manure or sludge and not for chemical products.

Extended warranty is pro rated and will be paid only through the crediting off of the then current list price of a replacement manure spreader of the portion of warranty not used up in time.

Warranty will be effective toward replacing spreader only and no cash payment will be made. It will be understood that the original equipment to be replaced will then become property of Husky Farm Equipment Limited.

This extended warranty will be effective through Husky Farm Equipment factory or factory outlet only. A copy of the original invoice is to be supplied along with the serial number. This warranty will not be effective for commercial custom haulers or to owners other than the original.

Transportation to and from the factory is to be paid for by the owner of the equipment and not by Husky Farm Equipment Limited.