

*Office copy
May 21 1989
200 copies*

DATE PURCHASED _____ MACHINE SERIAL NO. _____ OPTIONS _____

PLEASE NOTE:

The key number system in this parts book is arranged as follows:
 0 --Key number with one circle denotes main assemblies
 --Key numbers not circled are individual parts
 Please order parts by number

HUSKY LIQUID MANURE SPREADER
 9000 Litre Vacuum

OPERATING REQUIREMENTS FOR TANKER MANURE SPREADERS:

1. Heed all warnings.
2. Minimum HP requirements to safely operate on level terrain, on hilly terrain HP should be increased.

4500L	70 HP
7000L	85 HP
9000L	95 HP
12000L	110 HP
14000L	130 HP
15000L	140 HP
18000L	160 HP
23000L	200 HP

3. If machine is equipped with hydraulic brakes that are operated from the tractor hydraulics, they will not work should the tractor motor stop.

Inspect brakes before each use. Brakes must be bled before initial use unless installed at factory.

When releasing brakes the tractor hydraulic lever must be put in the opposing position to release pressure. Do not put in float position they will not release.

OPERATING REQUIREMENTS (CONT'D):

4. Tractor PTO spline must be approximately 1 1/4" (355mm) from end of compressed PTO for proper adjustment.
5. Hitch tanker to tractor with minimum of 1" (25mm) hardened hitch pin with a safety lock. Use 10,000 lbs safety chain from spreader to tractor.
6. Do not use tongue jack stand to support loaded spreader. Put jack in storage position before using.
7. When hooking PTO to tractor make sure motor is stopped. Make sure QD (Quick Disconnect) safety locking pin is in locked position before using.
8. Clean off hose ends before plugging into tractor hydraulics. If spreader is equipped with hydraulic drive on spreading attachment, make sure tractor has sufficient oil flow and pressure to maintain satisfactory spread pattern, if not use another tractor.
9. After using spreader in freezing condition make sure impeller housing is drained.
10. Wash tank inside and out each time work is finished. This will increase life of tank by many years. See item 6 of Safety instructions.
11. Make sure spreader is equipped with the proper fan and PTO for the RPM of tractor PTO.
12. Do not drive on public roads after dusk unless equipped with lights required by Department of Transportation in your area.
13. Remove wheels annually and regrease wheel bearings.
14. Because manure smells, many farmers have made unfriendly neighbours. If in a residential area a manure injector is a recommended option to bury the smell.
15. Much of the fertilizer value of manure is lost when exposed to air. Getting the manure covered quickly is a very important part of spreading manure.
16. When not using spreader leave valve open so discharge will not freeze.
17. If rustproof coating on interior shows signs of deterioration, have interior repainted. This can be done with a roller or brush. This helps to increase the life of your spreader. It is a valuable maintenance procedure.

SAFETY INSTRUCTIONS:

Do not operate this machine until you fully understand the safe operating practices.

1. Make sure all moving parts are shielded to prevent coming in contact with loose clothing.

2. Keep children clear, do not let children or anyone ride on the spreader at anytime.

3. Do not support loaded spreader on tongue jack.

4. Keep tire pressure to recommended pressure at all times.
Recommended tire pressure being:

Airplane Tires	Lbs	KPA
40 x 14	55	379
44 x 16	55	379
47 x 18 x 18	55	379
50 x 20 x 20	55	379
16.5L x 16.1	35	241
21.5L x 16.1	35	241
23.1L x 26	24	166
28 L x 26	24	166
23.5L x 25	35	241
18L x 22.5	65	448

1 Lb = 6.8947 KPA

5. Keep wheel bolts torqued to recommended torque at all times.
Recommended torque being:

Wheel Bolt Size	Torque	Ft./lbs.	Torque	Meter/kg
9/16 - 18 NF	120	90	16.59	12.44
5/8 - 18 NF	180	130	24.88	17.97
3/4 - 16 NF	300	220	41.48	30.42
	<u>Dry</u>	<u>Oiled</u>	<u>Dry</u>	<u>Oiled</u>

(CHECK DAILY)

6. Never enter a tanker without special breathing equipment to supply oxygen. Manure gases can kill instantly. One breath of Hydrogen Sulphide can kill.

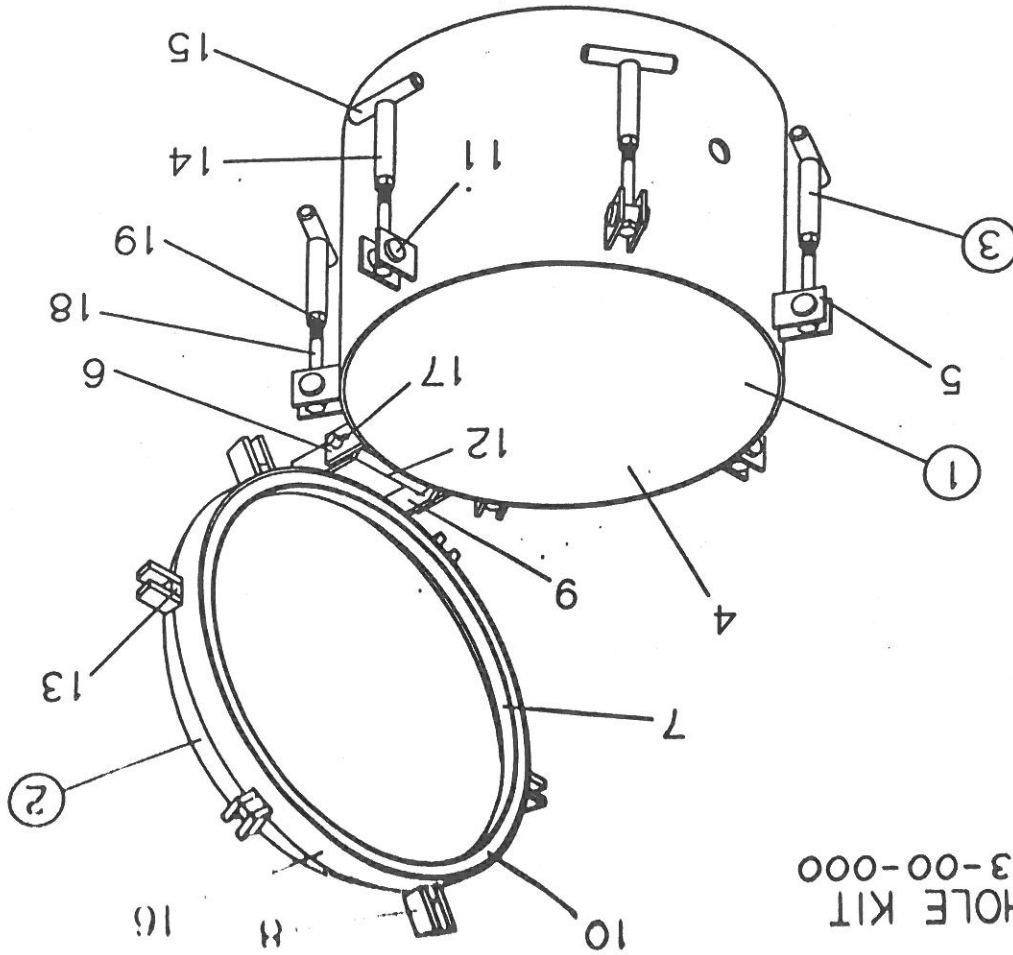
7. When hooking up or repairing hydraulic hoses always wear safety glasses and relieve pressure to avoid getting oil in eyes.

8. Caution - disc brakes will not release unless valve lever is held momentarily in opposite position. This will relieve pressure in brake line. Do not put in float position, they will not release.

Key	Part Number	Description	Qty
1	367-18-00-000	9000 L Tank Sill & Ladder Assy	1
2	367-18-10-000	9000 L Tank Assy	1
3	368-01-04-000	Manhole Assy	1
4	368-01-27-000	Side Valve Flange Assy	1
5	368-01-28-000	Rear Valve Extension Nipple Assy	1
6	315-30-08-000	Ladder Assy	1
7	320-55-14-000	Inside Ladder Assy	1
8	340-01-20-000	Axle Rear Stop Assy	2
9	340-41-00-000	Clamping Brkt Assy	2
10	368-29-00-000	Site Gauge Kit	1
11	368-25-21-000	Primary Trap Outer Tube Assy	1
12	315-31-11-000	Tank Support Assy	1
13	368-00-00-071	Intake & Exhaust Hose	1
14	367-18-10-073	9000 L Tank Shell	2
15	315-31-00-115	Tongue 'U' Piece	2
16	367-18-10-074	Baffle	1
17	300-01-00-012	Tank Lift Hook	3
18	300-01-00-016	Baffle Brkt	8
19	340-01-01-459	Baffle Gussets	4
20	368-01-00-007	Secondary Mositure Trap Brkt	1
21	315-30-00-108	Hydraulic Hose Brkt	1
22	368-01-00-002	Hose Brkt	1
23	368-01-00-001	Suction Pipe Holder	2
24	368-01-27-167	Valve Flange	2
25	368-01-27-168	Nipple	1
26	368-01-28-169	Rear Extension Nipple	1
27	368-01-00-170	1 1/2" Hose Brkt	1
28	315-30-08-092	Ladder Side	2
29	315-30-00-093	Bottom Support	2
30	315-30-08-095	Ladder Rung	7
31	315-30-00-094	Ladder Support	4
32	320-55-14-219	Inside Ladder Brace	1
33	320-55-14-220	Inside Ladder Side	2
34	320-55-14-221	Inside Ladder Rung	3

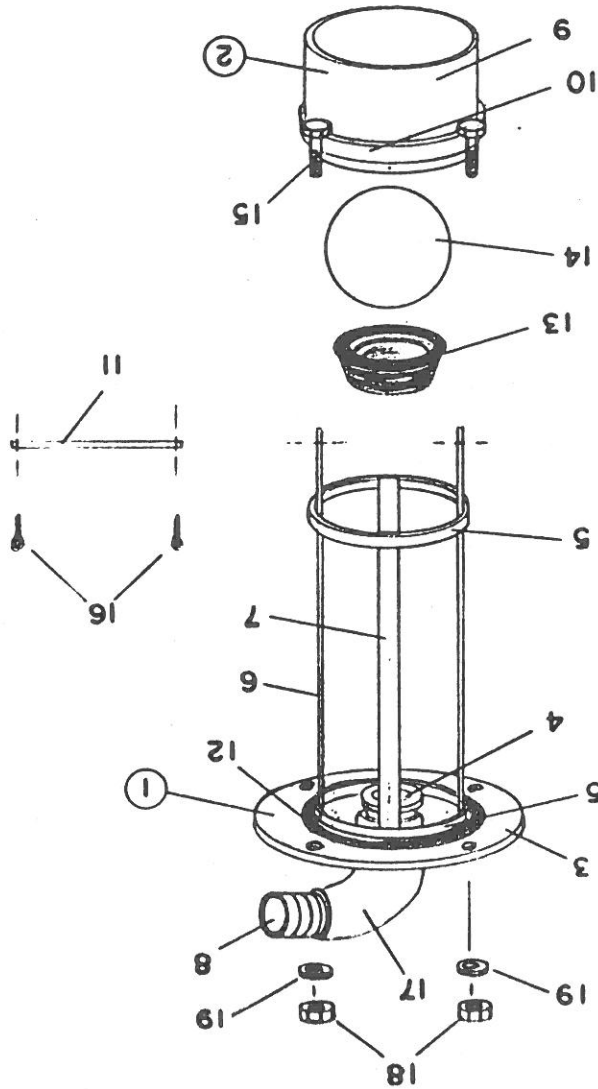
Qty	Description	Part Number	Key
2	S111	367-18-00-076	35
2	Axle Inner Rear Stop	340-01-20-446	36
2	Axle Outer Rear Support	340-01-20-447	37
2	Front Spacer	340-01-00-445	38
2	Scraper Blade Bolt	340-00-00-448	39
2	Clamping Brkt	340-41-00-442	40
4	Clamping Brkt Gusset	340-41-00-443	41
2	Filler Bar	340-41-00-444	42
1	Serial No Back Plate	340-01-00-498	43
2	Double Gusset	315-31-00-116	44
4	Sill Cap	367-18-00-078	45
1	Tank Support	315-31-11-111	46
1	Support Cover	315-31-11-114	47
2	Hitch Connector Angle	315-36-00-142	48
1	Serial No	R09071	49
2	66" OD Dished Tank End	R09843	50
1	6" Weld Elbow	R02447	51
1	#54 Gear Clamp	R02229	52
2	#4 x 1/4 Type 'U' Drive Screw	R08162	53
2	3/4" Nylon Insert Lock Nut	R07878	54
4	Double Hose Clamp	R09778	55
4	5/16 x 1/2 Hex Hd Bolt	R07694	56
4	5/16 Lock Washer	R07802	57
4	5/16 Hex Nut	R07782	58
8	1/2 x 1 1/2 Hex Hd Bolt	R07638	59
8	1/2 Lock Washer	R07805	60
1	Slow Moving Vehicle Sign	R09501	61
2	Accent Strip	R09511	62
2	Husky Sticker	R09510	63
1	Capacity Sticker	R09512	64
1	Warning Sticker	R09503	65

MANHOLE KIT
368-23-00-000



Key	Part Number	Description	Qty
1	368-01-04-000	Manhole Assy	1
2	368-03-00-000	Manhole Hatch Assy	1
3	368-50-00-000	Handle Assy	6
4	368-01-04-017	Manhole	1
5	368-01-04-018	Bolt Holder Lug	12
6	368-01-04-019	Lower Hinge Lug	2
7	368-03-00-027	Angle Ring	1
8	368-03-00-028	Clamp Lug	12
9	368-03-00-029	Hinge Lug	2
10	368-03-00-030	Manhole Hatch Seal	1
11	368-00-00-032	Bolt Holder	6
12	368-00-00-033	Hinge Pin	1
13	368-03-00-148	Clamp Lug Stop	6
14	368-50-00-228	Handle Tube	6
15	368-50-00-227	Handle Cross Bar	6
16	R09827	20" Domed Head	1
17	R08001	5/32 Cotter Pin	2
18	R07644	1/2 x 5 Hex Bolt	6
19	R07785	1/2" Hex Nut	6

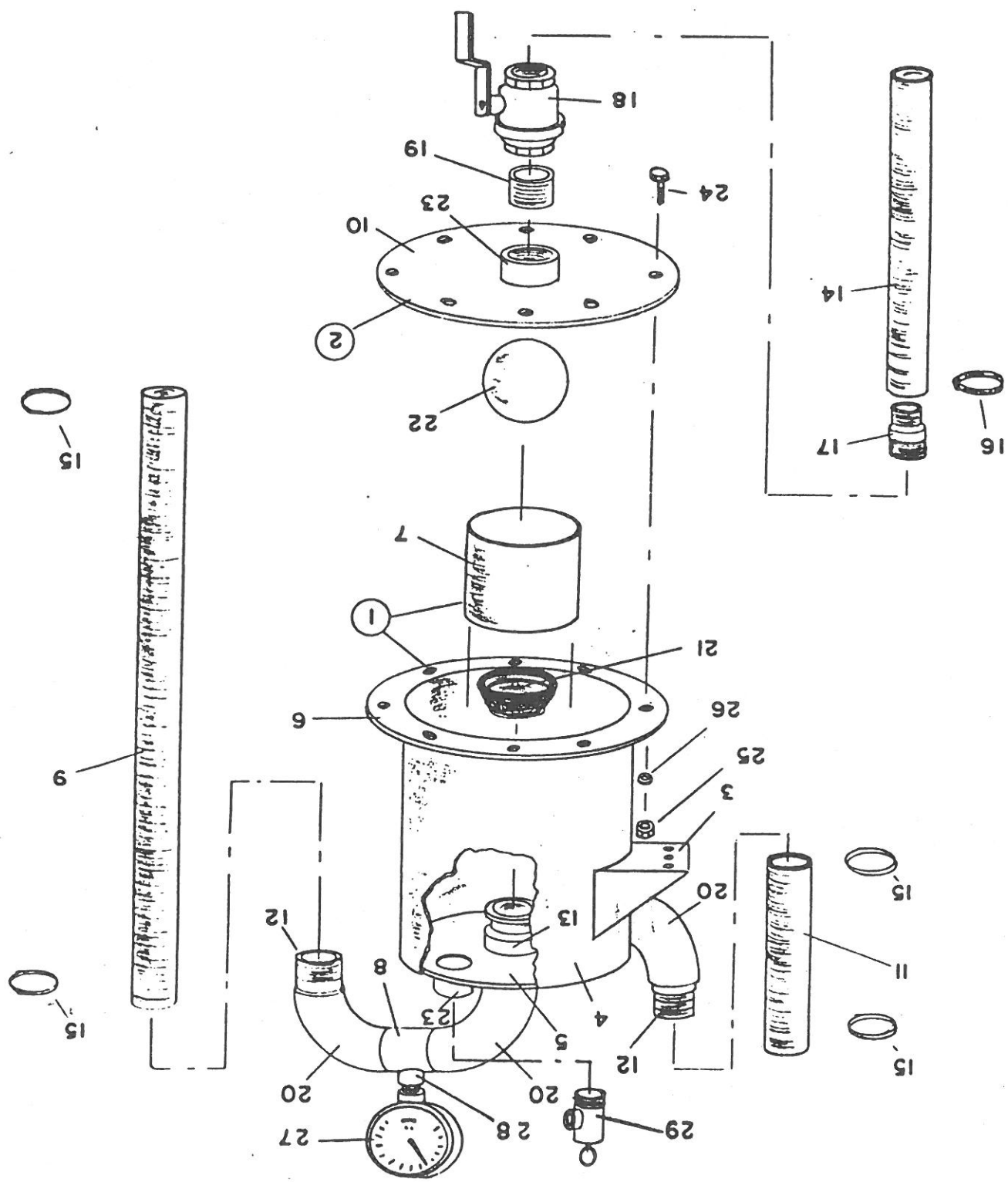
**PRIMARY MOISTURE
TRAP COMPLETE
368-25-00-000**



Key	Part Number	Description	Qty
1	368-25-20-000	Primary Moisture Trap	1
2	368-25-21-000	Outer Tube Assy	1
3	368-25-20-109	Head	1
4	368-25-20-110	Seat Holder	1
5	368-25-20-111	Strap Retainer Ring	2
6	368-25-20-112	Long Strap	2
7	368-25-20-113	Short Strap	2
8	368-25-20-114	Half 3" Barbed Connector	1
9	368-25-21-117	Outer Tube	1
10	368-25-21-118	Outer Tube Ring	1
11	368-25-00-116	Ball Retaining Pin	1
12	368-25-00-115	Rubber Seal	1
13	R09857	Rubber Valve Seat	1
14	R09856	6" Dia Plastic Ball	1
15	R07631	7/16 x 2 1/2 Hex Bolts	4
16	R08021	1/8 x 1 ss Cotter Pin	2
17	R02448	3" Weld Elbow	1
18	R07784	7/16 Hex Nut	4
19	R07824	7/16 Flat Washer	4

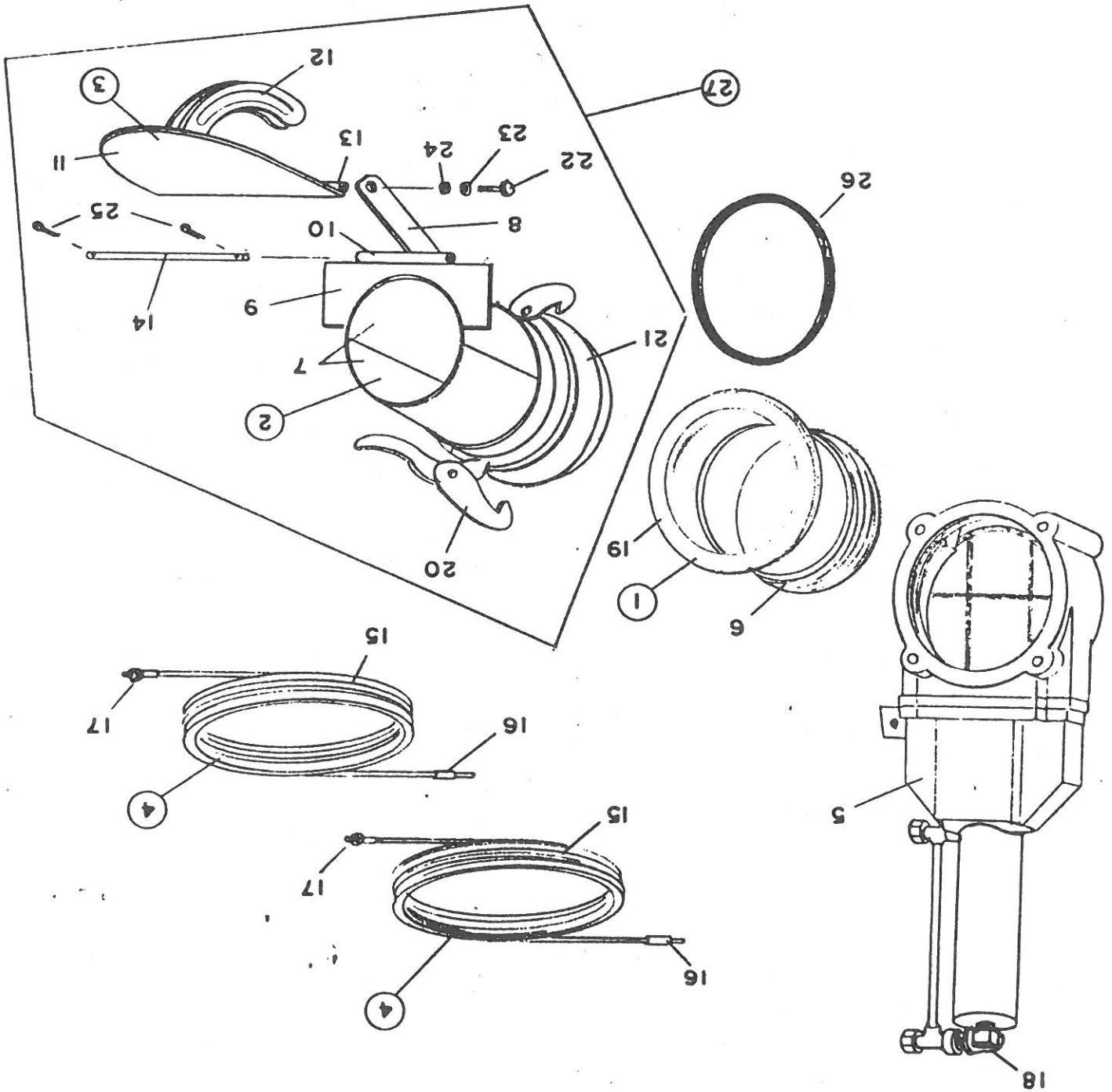
368-26-00-000
Not included - hoses
V/P gauge
clamps
ball valve

SECONDARY MOISTURE TRAP COMPLETE

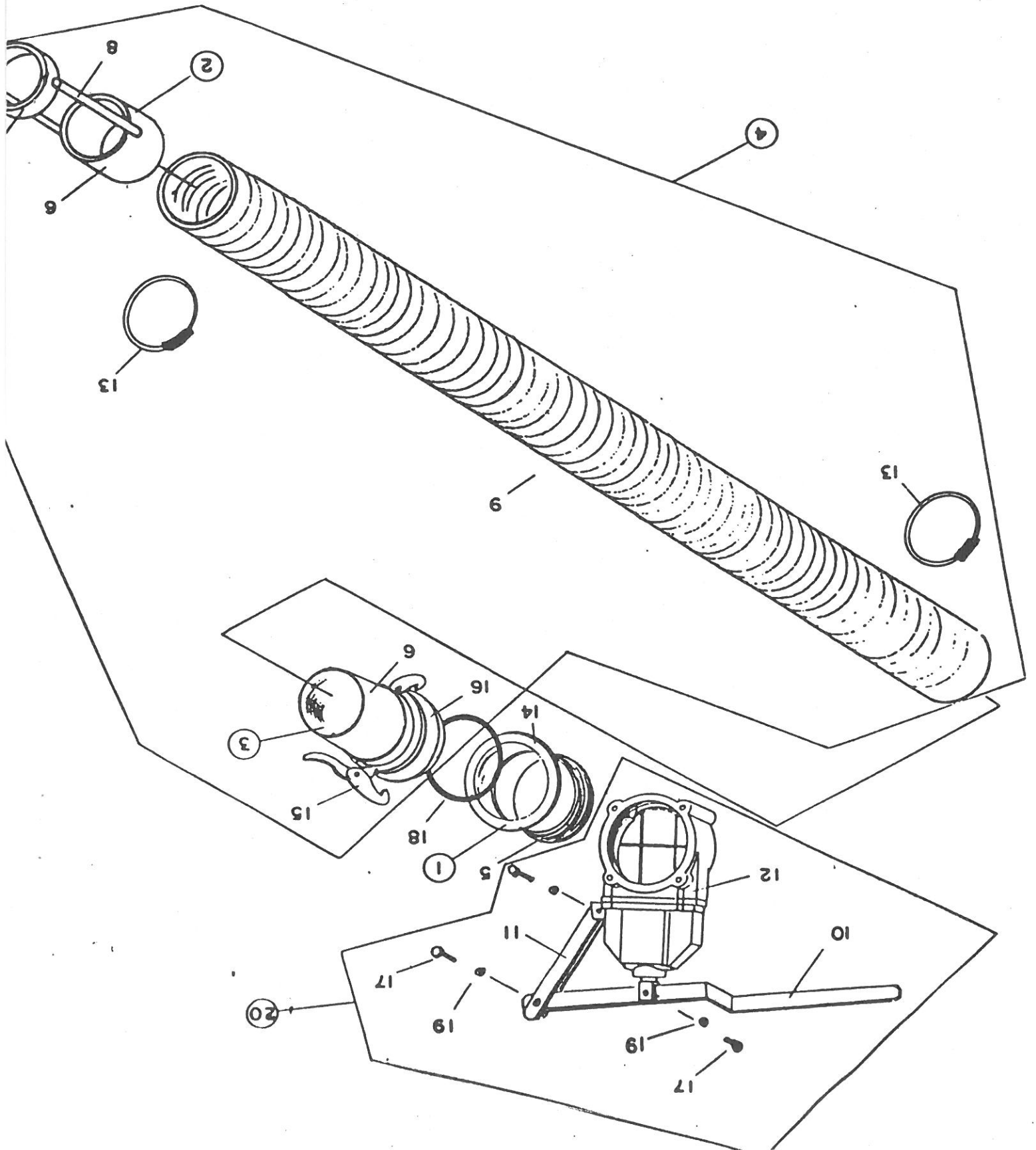


Secondary Moisture Trap

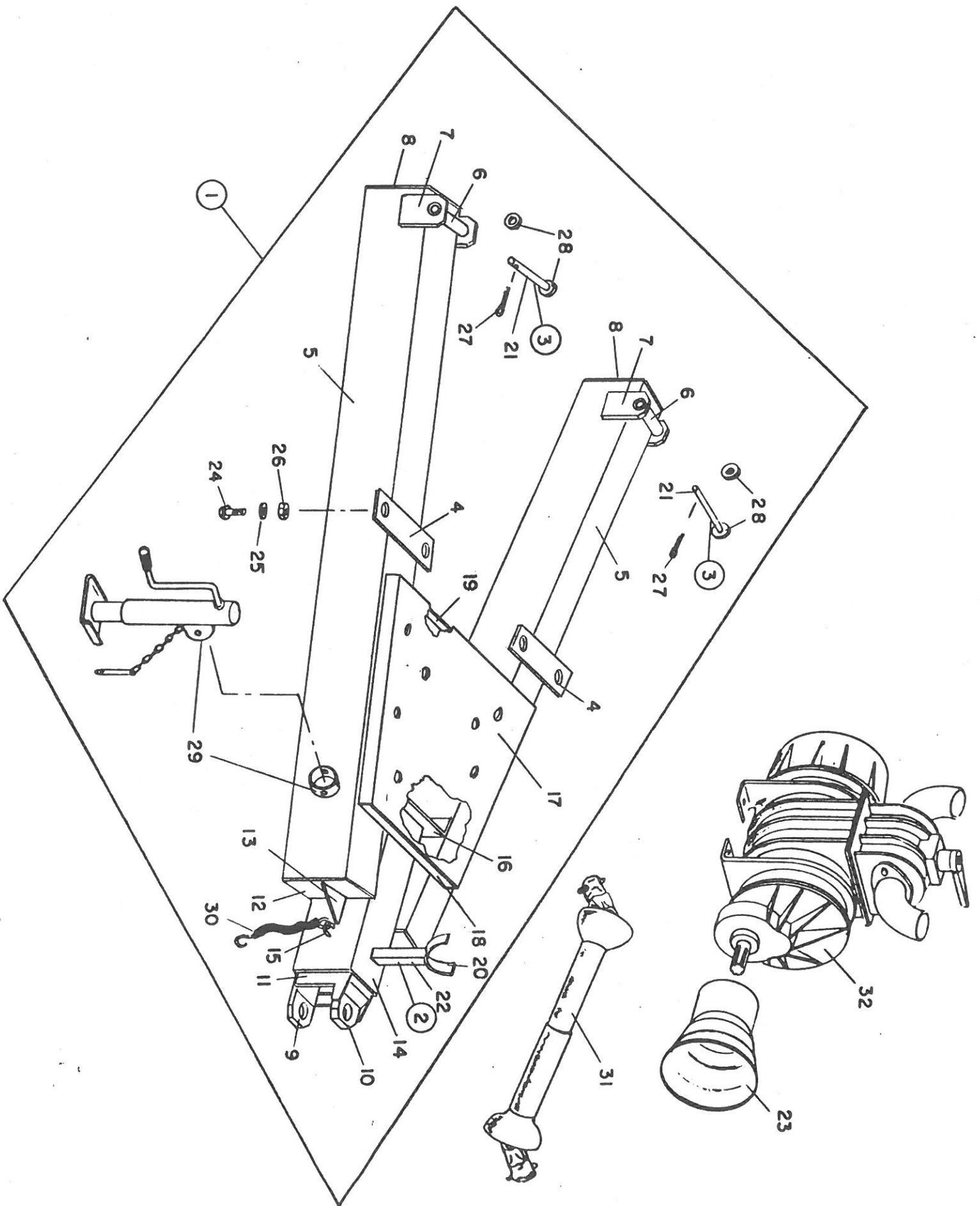
Qty	Description	Part Number	Key
1	Secondary Moisture Trap Assy	368-26-22-000	1
1	Cover Plate Assy	368-26-23-000	2
1	Moisture Trap Brkt	368-26-22-128	3
1	Secondary Trap Tube	368-26-22-119	4
1	Secondary Trap Lid	368-26-22-120	5
1	Flange	368-26-22-121	6
1	Secondary Inner Tube	368-26-22-122	7
1	Elbow Extension Tube	368-26-22-123	8
1	3" Pressure - Vacuum Hose-Long-12000 & 14000 L	368-00-00-067	9
1	3" Pressure - Vacuum Hose Long - 9000 L	367-00-00-151	
1	3" Pressure - Vacuum Hose Long - 7000 L	366-00-00-150	
1	Cover Plate	368-26-23-125	10
1	3" Pressure - Vacuum Hose - Short	368-00-00-068	11
2	3" Half Barbed Connector	368-25-20-114	12
1	Seat Holder	368-25-20-110	13
1	Drain Hose - 14000 12000 & 9000 L	368-00-00-070	14
1	Drain Hose 7000 L	366-00-00-163	
15	3" Bauer Super Clamp	R02480	15
1	1 1/2" #24 Gear Clamp	R02232	16
1	1 1/2" Combination Nipple	R02453	17
1	1 1/2" R & W Ball Valve	R02455	18
1	1 1/2" Nipple	R02127	19
3	3" Weld Elbows	R02448	20
1	Valve Seat	R09857	21
1	6" Plastic Ball	R09856	22
2	1 1/2" Coupling	R02063	23
8	3/8 x 1 Hex Bolt	R07619	24
8	3/8 Hex Nut	R07783	25
8	3/8 Lock Washer	R07803	26
1	Vacuum Pressure Gauge	R09833	27
1	1/4" Pipe Coupling	R02057	28
1	Pressure Relief Valve	R09910	29



Qty	Description	Part Number	Key
1	Valve Extension Pipe Assy	368-09-00-000	1
1	Discharge Cone Assy	368-10-00-000	2
1	Splash Plate Assy	368-11-00-000	3
2	Hydraulic Hose Assy - 7000 L	366-36-00-000	4
2	Hydraulic Hose Assy - 9000 & 12000 L	368-37-00-000	
2	Hydraulic Hose Assy - 14000 L	369-38-00-000	
2	Hydraulic Valve w/Cylinder	368-00-00-166	5
1	Extension Nipple	368-09-00-054	6
1	Discharge Cone	368-10-00-055	7
2	Splash Plate Support Arm	368-10-00-056	8
1	Cone Hine Plate	368-10-00-057	9
1	Long Hinge Pipe	368-10-00-058	10
1	Splash Plate	368-11-00-059	11
1	Splash Plate Adjustment Bar	368-11-00-060	12
2	Short Hinge Pipe	368-11-00-061	13
1	Hinge Pin	368-00-00-062	14
2	Hydraulic Hose - 7000 L	366-36-00-159	15
2	Hydraulic Hose - 9000 & 12000 L	368-37-00-160	
2	Hydraulic hose - 14000 L	369-38-00-161	
2	Metric Standpipe No 13D43-10-4	R21405	16
2	3/8 NPT Male Stem & Ferrule	R20825	17
2	1/4" Street Elbow	R02101	18
1	159 mm Galv Socket	R09836	19
1	159 mm Galv Clamp	R09835	20
1	159 mm Galv Ball	R09837	21
1	7/16 x 1 1/4 Carriage Bolt	R07732	22
1	7/16 Flat Washer	R07824	23
1	7/16 Lock Nut	R07891	24
2	5/32 x 1 Cotter Pin	R08001	25
1	HK 159 mm O Ring	R09838	26
1	Discharge Cone & Splash Plate Kit (not shown)	368-53-00-000	27
1	O Ring Kit for 6" Hyd Valve (not shown)	368-55-00-000	28

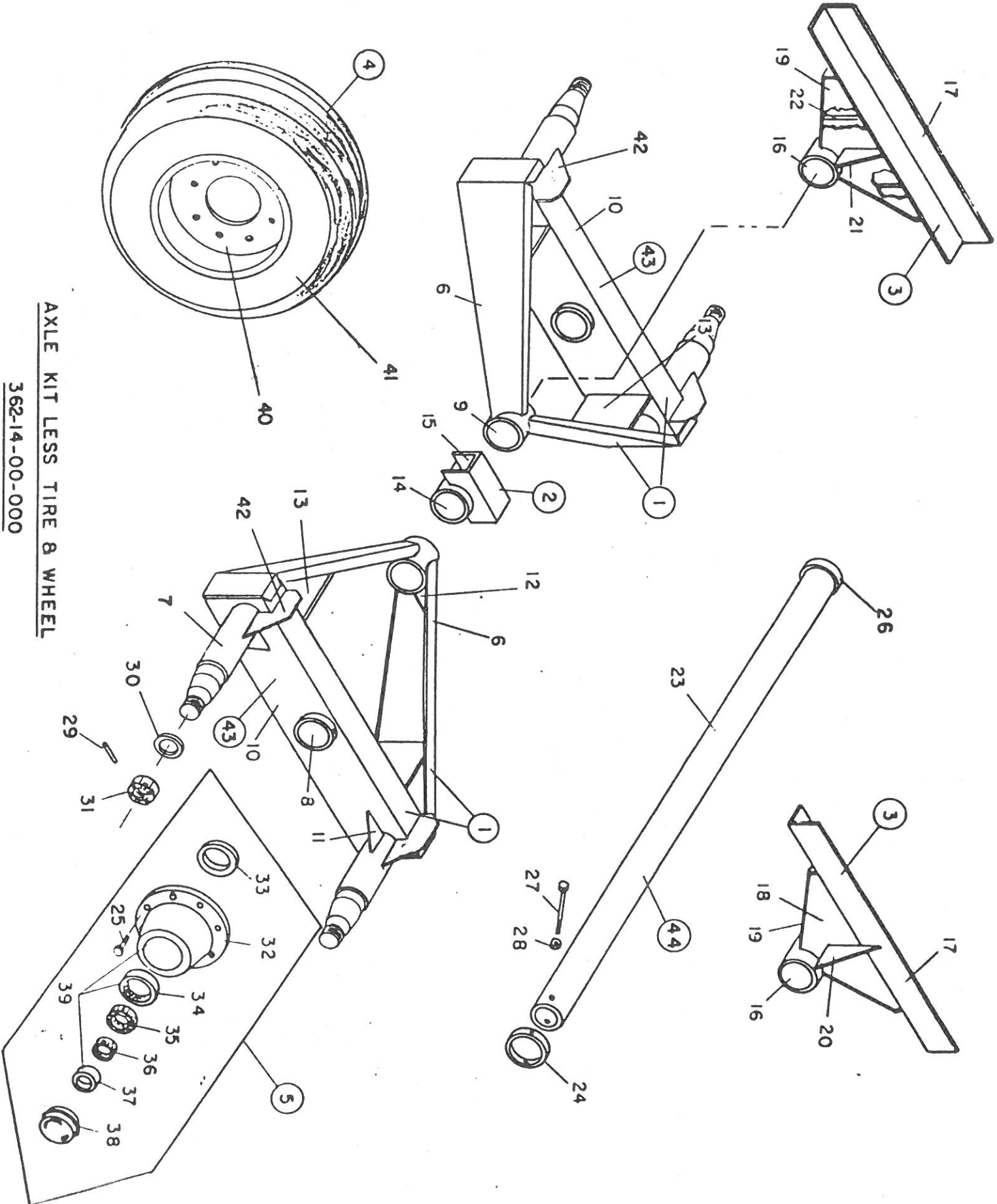


Key	Part Number	Description	Qty
1	368-09-00-000	Valve Extension Pipe Assy	1
2	368-12-00-000	Suction Hose Pipe Assy	1
3	368-13-00-000	Valve to Hose Clamp Assy	1
4	368-39-00-000	15 ft Suction Hose Kit	*
5	368-09-00-054	Nipple Extension Tube	1
6	368-12-00-063	Suction Hose Pipe	2
7	368-12-00-064	Suction Hose Lower Pipe	1
8	368-12-00-065	Reinforcing Bars	2
9	368-00-00-066	Suction Hose	1
10	368-00-00-093	Valve Handle	1
11	368-00-00-094	Valve Handle Braces	2
12	368-00-00-165	Manual Valve w/Yoke	1
13	R02482	6" Super Clamp	2
14	R09836	159 mm Galv Socket	1
15	R09835	159 mm Galv Clamp	1
16	R09837	159 mm Galv Ball	1
17	R07620	3/8 x 1 1/2 Hex Bolt	3
18	R09838	HK 159 mm O Ring	1
19	R07886	3/8 Locknut	3
20	368-51-00-000	6" Manual Valve w/Handles	1



* Optional

Qty	Description	Part Number	Key
1	Tongue Assy Complete w/Jack	368-02-00-000	1
1	PTO Holder Assy	368-02-09-000	2
2	Lock Pin Assy	315-39-00-000	3
2	Tongue Strap	315-36-00-143	4
2	Tongue Tube	315-36-00-144	5
2	Bushing	315-36-00-145	6
4	Side Piece	315-36-00-146	7
2	Tongue Tube Cover	315-36-00-147	8
2	Hitch Bottom Piece	315-38-00-152	9
1	Hitch Top Piece	315-38-00-153	10
2	Tongue Hitch Gusset	315-98-35-427	11
2	Tongue Hitch Saddle Plate	315-98-35-425	12
2	Gussets	368-02-00-173	13
1	Tongue Hitch Tube	368-02-00-172	14
2	Strap Hook	368-02-00-024	15
1	Tongue Hitch Back Plate	315-98-35-426	16
1	Tongue Mount Plate for Jurup Pump	368-02-00-171	17
1	Short Reinforcing Bar	368-02-00-174	18
1	Long Reinforcing Bar	368-02-00-176	19
1	PTO Holder	368-02-09-026	20
2	Lock Pin	315-39-00-155	21
1	PTO Holder Stand	368-02-09-025	22
1	Plastic Safety Implement Guard	R20413	23
1	7/16 x 1 1/2 Carriage Bolt	R07743	24
4	7/16 Lock Washer	R07804	25
4	7/16 Hex Nut	R07784	26
4	1/4 x 2 Cotter Pin	R08016	27
2	1 1/4 Flat Washer	R07830	28
4	Side Wind Jack 7000 Lb	R09751	29
1	Rubber Strap	R09531	30
1	1240 Series PTO 540 rpm	R20295	31
1	1240 Series PTO 1000 rpm	R20294	32
1	PN8400 Jurup Vacuum Pump	R09868	32



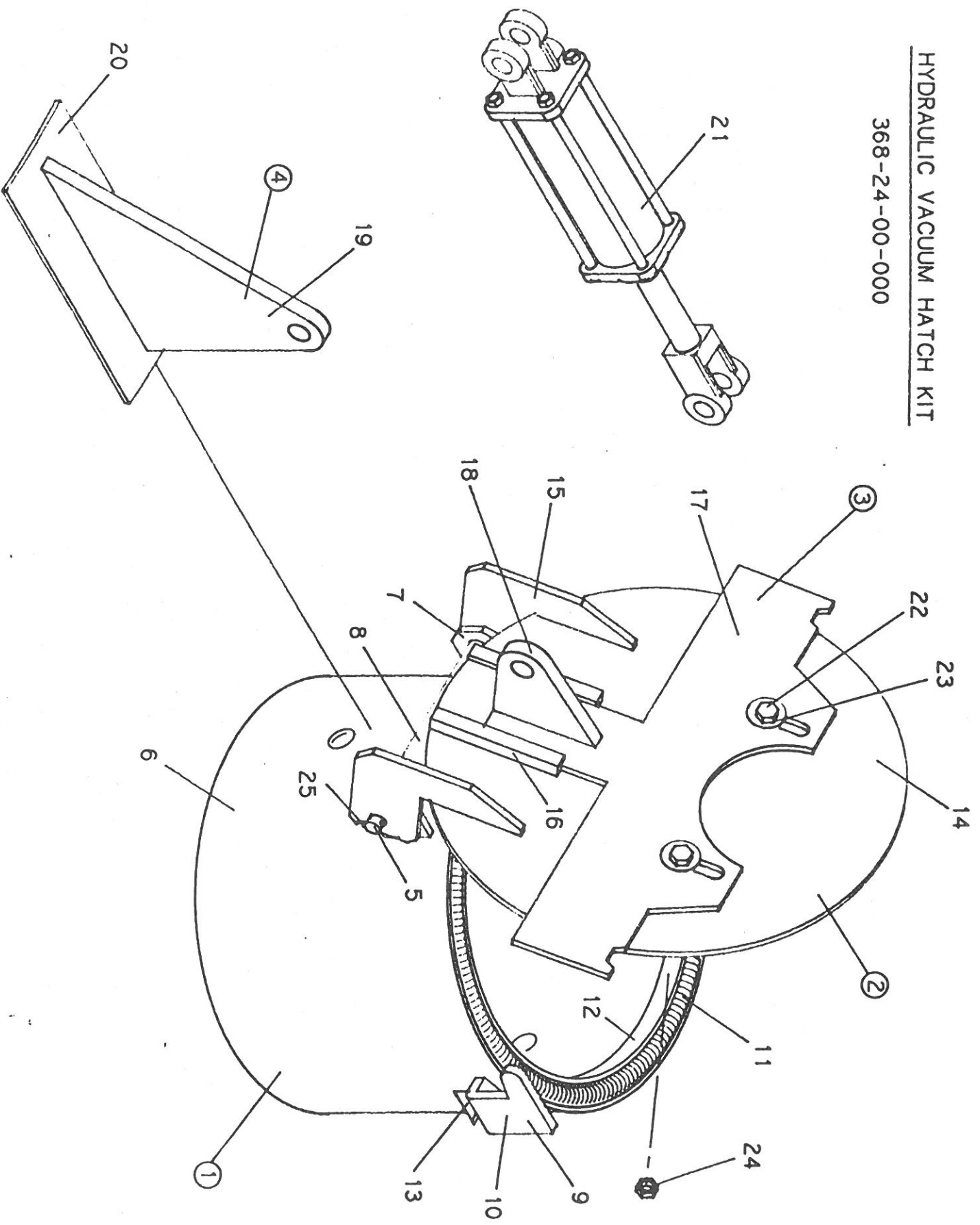
AXLE KIT LESS TIRE & WHEEL

362-14-00-000

Key	Part Number	Description	Qty
1	362-14-14-000	Tandem Side Assy	2
2	315-34-00-000	Tandem Centre Yoke Assy	1
3	315-35-00-000	Axle Pivot Assy	2
4	300-26-00-000	16.5 x 16.1 Tire Tube & Wheel Assy	4
	340-55-00-000	18 x 22.5 Tire & Wheel Assy	*
	325-64-00-000	21.5 x 16.1 8 Bolt 10 Ply Tire & Wheel Assy	*
5	300-27-00-000	8 Bolt Hub Assy Complete	4
6	315-33-00-124	Side Arm	4
7	362-14-10-056	Spindle	4
8	315-33-00-127	Rocker Sleeve - Outer	2
9	315-33-00-120	Rocker Sleeve - Inner	2
10	362-14-10-055	Walking Beam	2
11	315-33-00-122	Spindle Gusset	4
12	315-33-00-126	Centre Gusset	4
13	315-33-00-125	Stiffener Plate	4
14	315-34-00-128	Spacer Sleeve	1
15	315-34-00-129	Centre Yoke	1
16	315-35-00-130	Stationary Sleeve	2
17	315-35-00-131	Sill Angle Plate	2
18	315-35-00-132	Axle Side Plate	4
19	315-35-00-133	Cover Strip	4
20	315-35-00-136	Pivot Outer Gusset	2
21	315-35-00-135	Pivot Inner Gusset	2
22	315-35-00-134	Inner Support Plate	4
23	315-04-00-138	Axle Tube <i>530</i>	1
24	315-00-00-137	Axle Retainign Ring	1
25	R20120	5/8 x 2 3/8 N F Wheel Bolt	32
26	330-08-00-528	Stop Ring	1
27	R07644	1/2 x 5 UNC Hex Bolt	1
28	R07785	1/2 Hex Nut	1
29	R07943	Roll Pin 3/16 x 1 1/2	4
30	R20118	Spindle Washer	4
31	R20117	Spindle Nut	4
32	R20126	8 Bolt Hub w/o Cups	4
33	R20116	Hub Seal	4
34	R20112	Inner Cup	4
35	R20114	Inner Cone	4
36	R20115	Outer Cone	4
37	R20113	Outer Cup	4
38	R20119	Dust Cap	4
39	R20125	8 Bolt Hub w/cups	4
40	R20073	16.1 Wheel for 16.5 Tire	4
	R20058	13.5 x 22.5 Wheel for 18" Truck Tire	4
	R20074	16.1 Wheel for 21.5 Tire	*
	R20004	16.5 x 16.1 Implement Tire	4
	R20011	18 x 22.5 Used Truck Tire	*
	R20005	21.5 x 16.1 Tire 10 ply	*
42	362-14-10-080	Gusset	4
43	362-14-10-000	Walking Beam Assy	2
44	315-04-00-000	Axle Tube Assy	1

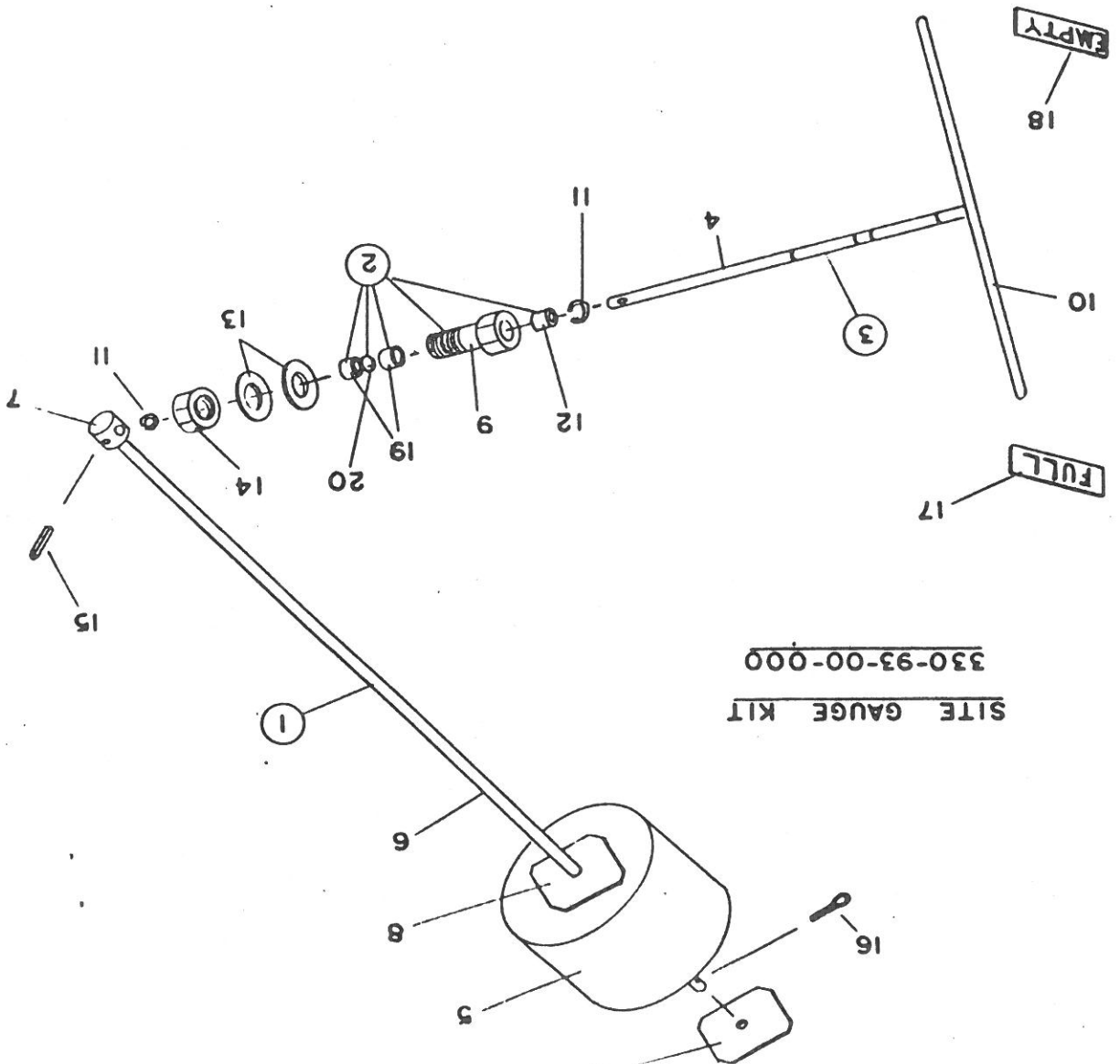
HYDRAULIC VACUUM HATCH KIT

368-24-00-000



Key	Part Number	Description	Qty
1	368-24-16-000	Hydraulic Vacuum Manhole Assy	1
2	368-24-17-000	Hatch Assy	1
3	368-24-18-000	Slide Plate Assy	1
4	368-24-19-000	Cylinder Lug Assy	1
5	368-24-00-096	Hinge Pin	1
6	368-24-16-098	Manhole	1
7	368-24-16-099	Hinge Brkt	2
8	368-24-16-100	Hinge Pin Sleeve	1
9	368-24-16-101	L H Lock Brkt	1
10	368-24-16-126	R H Lock Brkt	1
11	368-24-16-229	Rubber Seal	1
12	368-24-16-230	Angle Ring	1
13	368-24-16-127	Lock Brkt Gusset	2
14	368-24-17-102	Hatch	1
15	368-24-17-103	Hinge	2
16	368-24-17-104	Slide Bars	2
17	368-24-18-105	Slide Plate	1
18	368-24-18-106	Cylinder Lug	1
19	368-24-19-107	Rear Cylinder Lug	1
20	368-24-19-108	Lug Support Plate	1
21	R20726	2 x 10 Hydraulic Cylinder	1
22	R07646	5/8 x 1 1/2 Hex Bolt	2
23	R07786	5/8 Flat Washer	2
24	R07887	5/8 Lock Nut	2
25	R08004	1/8 x 1 1/2 Cotter Pin	2

Key	Part Number	Description	Qty
1	330-93-30-000	Float Arm Assy	1
2	330-93-31-000	Bronze Brg Holder Assy	1
3	330-93-32-000	Indicator Arm Assy	1
4	330-93-32-374	Connector Shaft	1
5	330-93-00-375	Float	1
6	330-93-30-376	Float Arm	1
7	330-93-30-377	Boss	1
8	330-93-30-378	Float Straps	2
9	330-93-31-379	Bronze Brg Holder	1
10	330-93-32-424	Indicator Arm	1
11	R07974	External Retaining Ring	2
12	R20265	1/2 ID x 5/8 OD x 1" Long Bronze Bushing	2
13	R07828	1" Flat Washer	2
14	R07788	1" Hex Nut	1
15	R07950	3/16 x 1 1/4 Roll Pin	1
16	R08021	1/8 x 1 SS Cotter Pin	1
17	R09529	"Full" Sticker	1
18	R09530	"Empty" Sticker	1
19	R21173	1/2 x 5/8 x 1/2 Bronze Bushing	2
20	R20865	1/1 x 5/8 x 1/16 O Ring	1



VACUUM SPREADER SPECS.

LITRES	US GALLONS	TANK DIAMETER	OVERALL TANK LENGTH	OVERALL HEIGHT	AXLE WIDTH	WHEEL CENTRES	TIRE SIZE	HUBS	APPROX WEIGHT OF SPREADER	TRACTOR SIZE SUGGESTED
1400 L	3600 GAL	1.83' M 72"	5.46 M 18'	3 M 122"	2.49 M 98"	21.5 x 16.1	10 BOLT	11000 LB	125 HP	
9000 L	2400 GAL	1.66' M 66"	4.36 M 14'3"	2.85 M 112"	2.03' M 80"	16.5 L x 16.1	8 BOLT	7500 LB	90 HP	
12000 L	3000 GAL	1.83' M 72"	4.6 M 15'	3 M 122"	2.49 M 98"	21.5 x 16.1	10 BOLT	10500 LB	100 HP	
7000 L	1800 GAL	1.37' M 54"	4.72 M 15'6"	2.54 M 100"	2.03' M 80"	16.5 L x 16.1	8 BOLT	7000 LB	75 HP	

Standard Features

1. 6MM (1/4") tank with dished ends & full baffle
2. Lined inside with coal tar epoxy
3. 2 coats of paint outside
4. Manure level sight gauge
5. Manhole lid for access
6. 6" suction hose - 15 ft. long, coupled with Bauer quick coupling
7. Equipped with A Model PN8400 Jurup Vacuum pump 170 CFM @ 15" Mercury @ 1000 RPM
8. 3" Vacuum and pressure lines with primary and secondary moisture traps
9. Vacuum and pressure gauges
10. Rear Discharge valve operated hydraulically or pneumatically
11. Side valve for filling - operated manually
12. Tandem axle with walking beam

Options

1. Gear drive on pump for 540 RPM PTO operation
2. Longer 6" suction hose
3. Larger Vacuum pumps for commercial applications

