

*Office copy  
May 14/85 10-2-85*

DATE PURCHASED \_\_\_\_\_ MACHINE SERIAL NO \_\_\_\_\_

OPTIONS \_\_\_\_\_

PLEASE NOTE:

The key number system in this parts book is arranged as follows:

- Key number with one circle denote main assemblies
- Key numbers not circled are individual parts

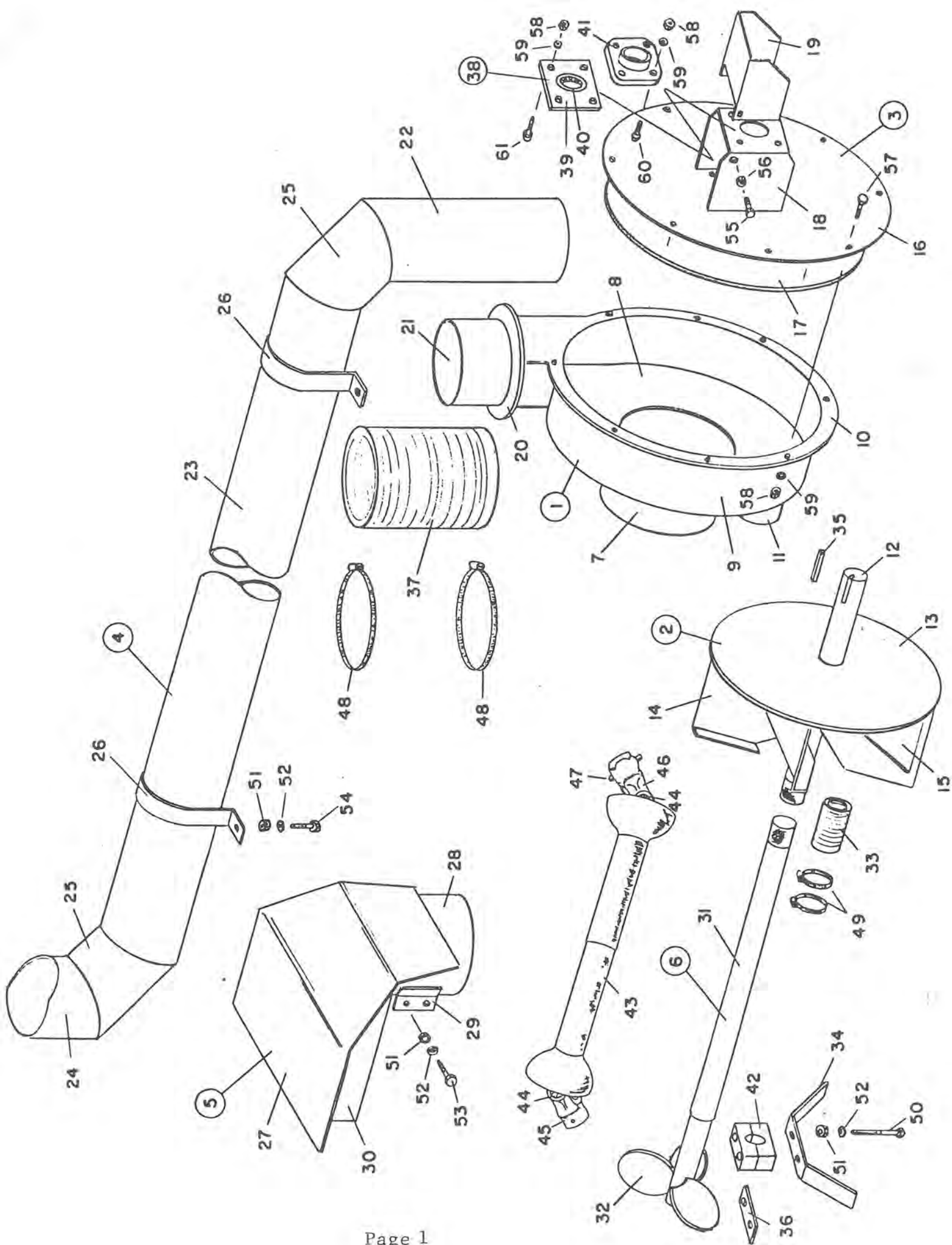
Please order parts by number

MODEL E  
7000 & 9000 Litre  
LIQUID MANURE SPREADER

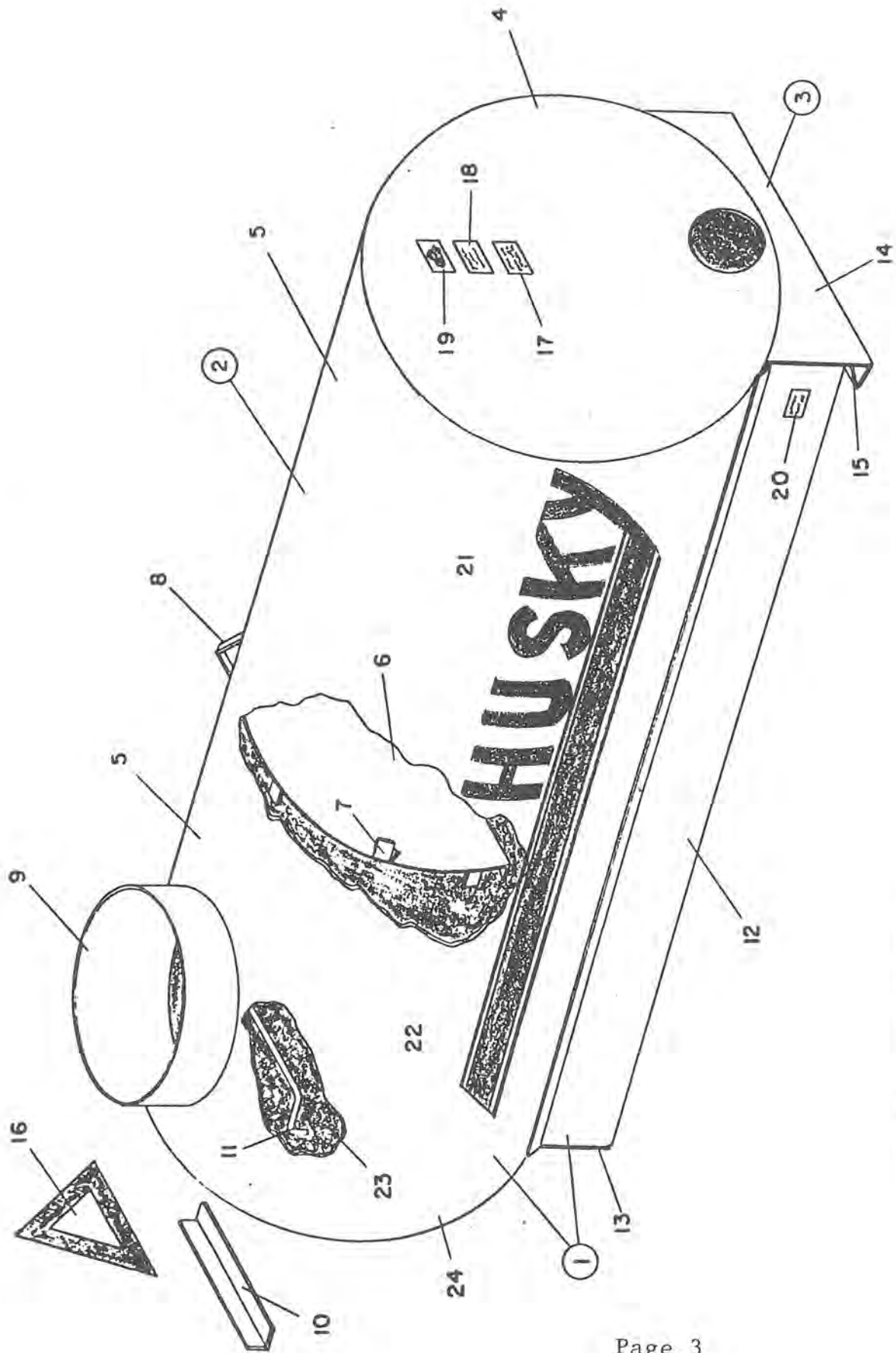
Operating Instructions:

1. Check Tire Pressure each time used-  
rib implement tires - inflate to 35 lbs  
used truck tires - inflate 65 to 70 lbs
2. Check wheel bolts regularly - 180 ft lbs.
3. When not using remove ABS plug in fan housing so it will not freeze.
4. When not using regularly - wash inside and out - to avoid rusting.
5. If rustproofing coating on interior shows signs of deterioration, have interior repainted, this can be done with a roller or brush and is good maintenance procedure.
6. If your spreader is equipped with brakes make sure they are working. Always make sure a big enough horse power tractor is used to operate safely.
7. EXTREME DANGER - Never enter a dirty Manure Spreader or Storage tank - one breath of Hydrogen Sulfide Gas is enough to kill.

CAUTION - Disc brakes will not release unless valve lever is held momentarily in opposite position. This will relieve pressure in brake line.



Key	Part Number	Description	Qty
1	364-01-03-000	Fan Housing Assy	1
2	364-03-00-000	Fan Assy	1
3	364-04-00-000	Fan Housing Cover Assy	1
4	364-19-00-000	Discharge Pipe Assy - 12000 & 14000 L	1
5	364-21-00-000	Splash Plate Assy	1
6	364-22-00-000	Agitator Assy	1
7	364-01-03-016	Outlet Ring	1
8	364-01-03-017	Housing Back Plate	1
9	364-01-03-018	Housing Band	1
10	364-01-03-019	Housing Flange	1
11	364-01-00-002	Fan Housing Support Pipe	1
12	364-03-00-021	Fan Shaft	1
13	364-03-00-022	Fan Back Plate	1
14	364-03-00-023	Fan Blade	4
15	364-03-00-024	Fan Blade Gusset	4
16	364-04-00-026	Housing Cover Plate	1
17	364-04-00-027	Housing Cover Plate Support	1
18	364-04-00-028	Outer Brg Mount	1
19	364-00-00-029	Flip Guard	1
20	364-01-03-062	Discharge Ring	1
21	364-01-03-063	Discharge Tube	1
22	364-19-00-064	Vertical Discharge Pipe	1
23	364-19-00-065	Horizontal Discharge Pipe	1
24	364-19-00-067	Discharge Pipe End Piece	1
25	364-06-00-038	Discharge Pipe Corner Piece	2
26	364-00-00-041	Hold Down Clamp	2
27	364-21-00-069	Splash Plate	1
28	364-21-00-070	Clamping Tube	1
29	364-21-00-071	Clamping Tube Brkt	2
30	364-21-00-072	R H Splash Plate Wing	1
	364-21-00-073	L H Splash Plate Wing	1
31	364-22-00-074	Agitator Shaft	1
32	364-22-00-075	Agitator Blade	3
33	364-00-00-076	Coupling Hose	1
34	364-00-00-077	Brg Holder	1
35	300-00-00-060	Key	1
36	300-00-00-062	Brg Plate	1
37	364-00-00-066	Flex Hose	1
38	300-14-00-000	Oil Seal & Plate	1
39	300-14-00-059	Oil Seal Plate	1
40	R20267	Oil Seal	1
41	R20192	1 1/4 Fafnir Brg	2
42	R20228	1 1/4 Wood Brg	1
43	R20296	1240 Series PTO - Short	1
44	R20304	Journal & Brg Kit	2
45	R20306	1 1/4 Round Hold Yoke	1
46	R20302	QD Yoke - 540 RPM	1
47	R20305	QD Parts Kit	
48	R02238	6" Gear Clamp #96	2
49	R02475	1 1/4" SS Gear Clamp #20 HAS	4
50	R07625	3/8 x 4 Hex Bolt	2
51	R07783	3/8 Hex Nut	8
52	R07803	3/8 Lockwasher	8
53	R07621	3/8 x 2 Hex Bolt	2
54	R07675	3/8 x 1 1/4 Hex Bolt	2
55	R07619	3/8 x 1 Hex Bolt	2
56	R07886	3/8 Lock Nut	2
57	R07677	7/16 x 1 1/4 Hex Bolt	
58	R07784	7/16 Hex Nut	
59	R07804	7/16 Lockwasher	
60	R07733	7/16 x 1 1/2 Carriage Bolt	
61	R07734	7/16 x 2 Carriage Bolt	



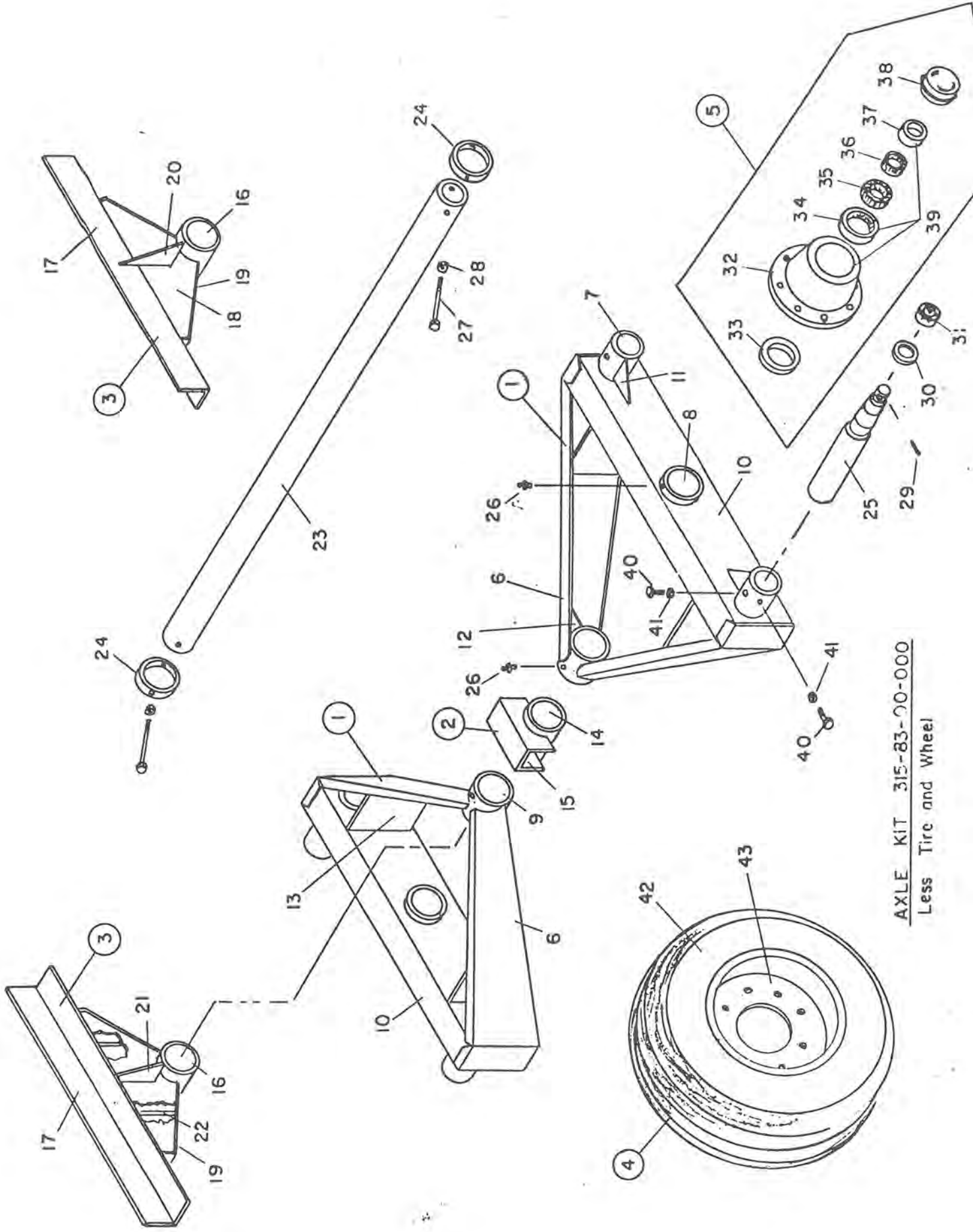
7000 LITRE

Key	Part Number	Description	Qty
1	361-17-00-000	7000 L Tank & Sill Assy	1
2	361-17-11-000	7000 L Tank Assy	1
3	361-17-12-000	7000 L Front Cross Member Assy	1
4	315-30-10-104	7000 L Tank End	2
5	315-30-10-105	7000 L Tank Shell	2
6	315-30-00-106	Baffle	1
7	300-01-00-016	Baffle Brkt	8
8	300-01-00-012	Lift Hook	3
9	364-02-00-006	Manhole	1
10	364-02-00-007	Outside Ladder Rung	3
11	364-02-00-008	Inside Ladder Rung	1
12	361-17-00-060	7000 L Sill	2
13	315-31-00-117	Sill Cap	2
14	361-17-12-059	7000 L Cross Member	1
15	364-02-05-005	Cross Member Support	1
16	R09501	Slow Moving Vehicle Sign	1
17	R09503	Warning Sticker	1
18	R09512	Capacity Sticker	1
19	R09509	Made In Canada - Sticker	1
20	R09521	Serial Number	1
21	R09510	Husky Sticker	2
22	R09511	Accent Strip	2
23	R04005	Coal Tar Epoxy (Optional)	
24	R04004	Vista Green Enamel	





Key	Part Number	Description	Qty
1	362-13-00-000	9000 L Tank & Sill Assy	1
2	362-13-08-000	9000 L Tank Assy	1
3	362-13-09-000	9000 L Front Cross Member Assy	1
4	320-55-15-222	9000 L Tank End	2
5	320-55-15-223	9000 L Tank Shell	2
6	320-55-00-224	Baffle	1
7	300-01-00-016	Baffle Brkt	8
8	300-01-00-012	Lift Hook	3
9	364-02-00-006	Manhole	1
10	364-02-00-007	Outside Ladder Rungs	4
11	364-02-00-008	Inside Ladder Rungs	2
12	362-13-00-053	9000 L Sill	2
13	320-56-00-225	Sill Cap	2
14	362-13-09-054	9000 L Cross Member	1
15	364-02-05-005	Cross Member Support	1
16	R09501	Slow Moving Vehicle Sign	1
17	R09503	Warning Sticker	1
18	R09512	Capacity Sticker	1
19	R09509	Made In Canada - Sticker	1
20	R09521	Serial Number	1
21	R09510	Husky Sticker	2
22	R09511	Accent Strip	2
23	R04005	Coal Tar Epoxy (Optional)	
24	R04004	Vista Green Enamel	



AXLE KIT 315-83-00-000  
Less Tire and Wheel



Key	Part Number	Description	Qty
1	315-33-00-000	Tandem Side Assy	2
2	315-34-00-000	Tandem Centre Yoke Assy	1
3	315-35-00-000	Axle Pivot Assy	2
4	300-26-00-000	16.5L x 16.1 Tire, Tube & Wheel Assy	4
	340-55-00-000	18 x 22.5 Tire, Tube & Wheel Assy	*
5	300-27-00-000	Hub Assy Complete	4
6	315-33-00-124	Side Arm	4
7	325-63-00-287	Spindle Sleeve	4
8	315-33-00-127	Rocker Sleeve-Outer	2
9	315-33-00-120	Rocker Sleeve-Inner	2
10	315-33-00-123	Walking Beam	2
11	315-33-00-122	Spindle Sleeve Gusset	8
12	315-33-00-126	Centre Gusset	4
13	315-33-00-125	Stiffener Plate	4
14	315-34-00-128	Spacer Sleeve	1
15	315-34-00-129	Centre Yoke	1
16	315-35-00-130	Stationary Sleeve	2
17	315-35-00-131	Sill Angle Plate	2
18	315-35-00-132	Axle Side Plate	4
19	315-35-00-133	Cover Strip	4
20	315-35-00-136	Pivot Outer Gusset	2
21	315-35-00-135	Pivot Inner Gusset	2
22	315-35-00-134	Inner Support Plate	4
23	315-00-00-138	Axle Tube	1
24	315-00-00-137	Axle Retaining Ring	2
25	300-02-06-019	Axle Spindle	4
26	R08183	1/4 x 28 Grease Fitting	4
27	R07644	1/2 x 5 Hex Hd Bolt	2
28	R07785	1/2 Hex Nut	2
29	R07943	Roll Pin	4
30	R20118	Spindle Washer	4
31	R20117	Spindle Nut	4
32	R20126	8 Bolt Hub w/o Cups	4
33	R20116	Seal	4
34	R20112	Inner Cup	4
35	R20114	Inner Cone	4
36	R20115	Outer Cone	4
37	R20113	Outer Cup	4
38	R20119	Dust Cap	4
39	R20125	8 Bolt Hub w/Cups	4
40	R07923	1/2 x 1 1/2 Sq Hd Set Screw	8
41	R07785	1/2 Hex Nut	8
42	R20004	16.5 x 16.1 Tire	4
	R20011	18 x 22.5 Used Tire	*
43	R20073	16.1 Wheel for 16.5 Tire	4
	R20058	13.5 x 22.5 8 Bolt Wheel	*

\* - Optional

