

DATE PURCHASED _____ MACHINE SERIAL NO. _____

*Office copy
7/22/10/89 25-110*

OPTIONS _____

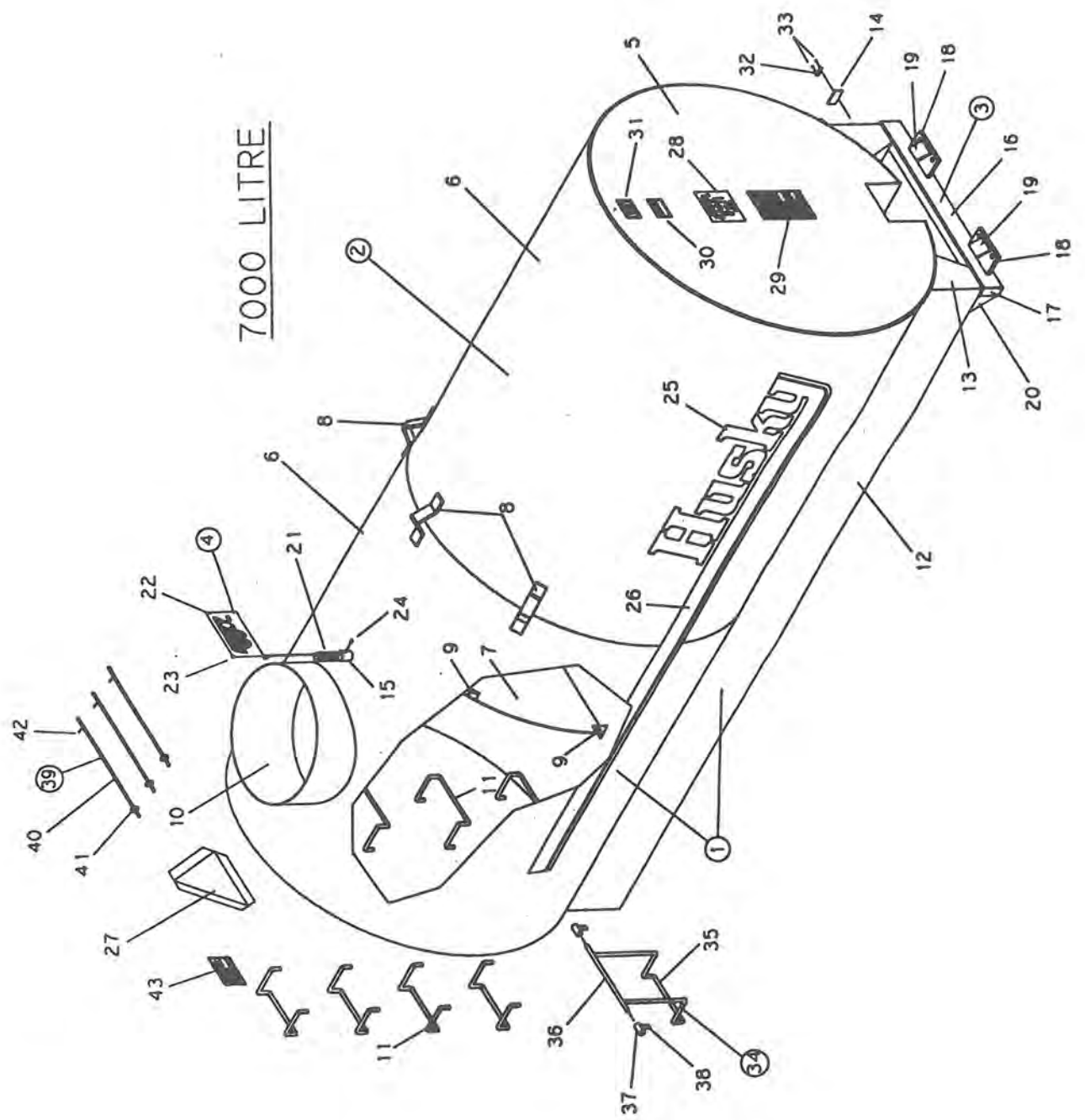
PLEASE NOTE:

The key number system in this parts book is arranged as follows:

- 0 --Key number with one circle denotes main assemblies
- Key numbers not circled are individual parts

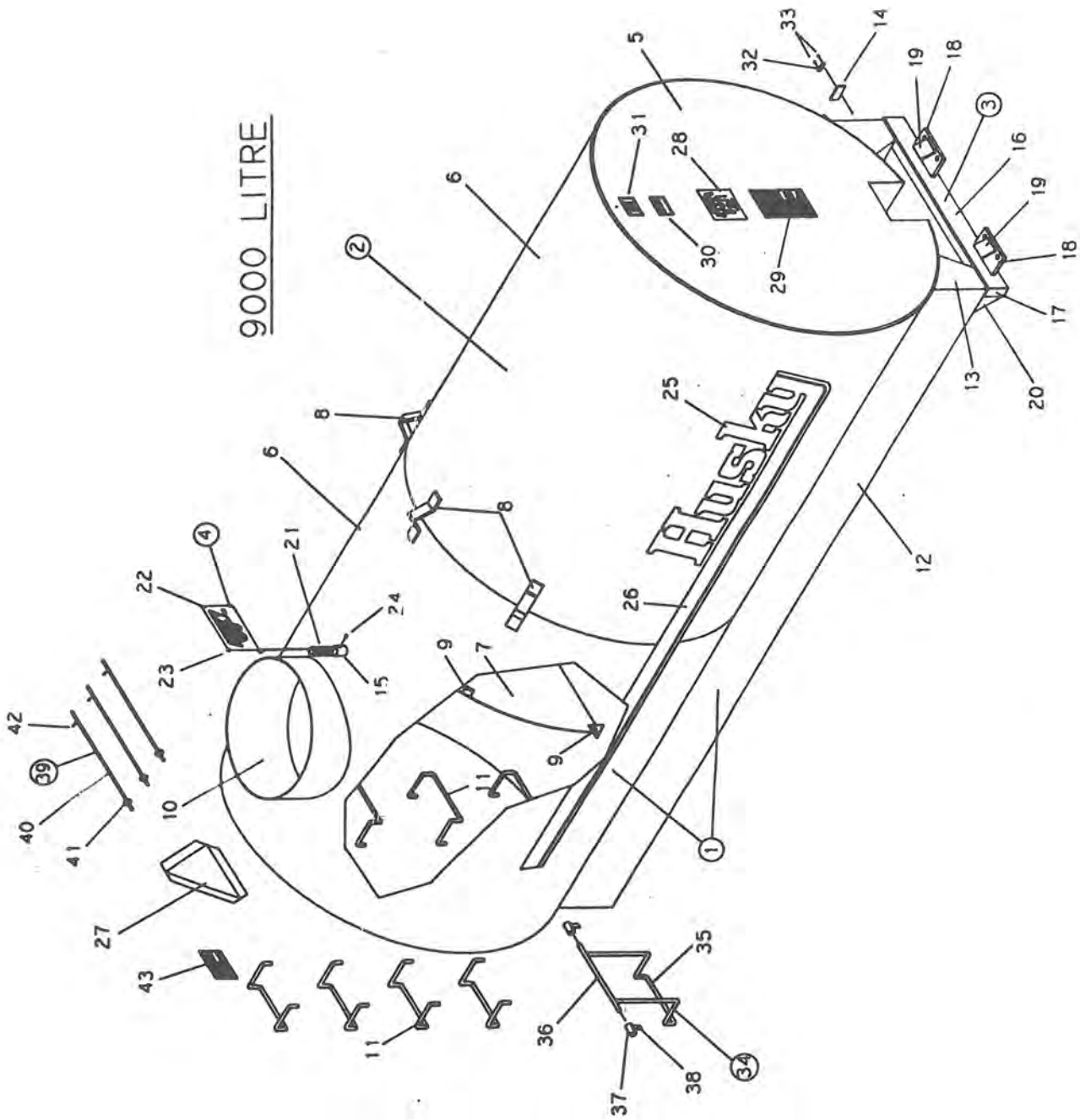
Please order parts by number

**MODEL "E"
7000 & 9000 LITRE
HUSKY LIQUID MANURE SPREADER**



<u>KEY</u>	<u>PART NUMBER</u>	<u>DESCRIPTION</u>	<u>QTY</u>
1	361-17-00-000	7000L TANK & SILL ASSY	1
2	315-30-10-000	7000L TANK ASSY	1
3	364-02-17-000	CROSS MEMBER ASSY	1
4	340-62-00-000	HUSKY FLAG KIT	1
5	315-30-10-104	7000L TANK END	2
6	315-30-10-105	7000L TANK SHELL	2
7	315-30-00-106	BAFFLE	1
8	300-01-00-012	LIFT HOOK	3
9	300-01-00-016	BAFFLE BRKT	8
10	364-02-00-006	MANHOLE	1
11	364-02-00-008	LADDER RUNG	6
12	315-31-00-118	7000L SILL	2
13	315-31-00-117	7000L SILL CAP	4
14	340-01-00-498	SERIAL NUMBER PLATE	1
15	340-00-00-536	FLAG SPRING HOLDER	1
16	364-02-17-120	CROSS MEMBER	1
17	364-02-17-121	END CAP	2
18	364-02-17-122	TONGUE STRAP	2
19	364-02-17-123	TONGUE STRAP GUSSET	2
20	364-02-17-124	CROSS MEMBER GUSSET	2
21	R08037	FLAG SPRING	1
22	R09735	HUSKY FLAG	1
23	R21371	PLASTIC TIP	1
24	R07926	5/16-18 X 1/4 SS SET SCREW	1
25	R09510	HUSKY DECAL	2
26	R09511	ACCENT STRIP	2
27	R09501	SLOW MOVING VEHICLE SIGN	1
28	R09730	TIRE PRESSURE STICKER	1
29	R09783	'CAUTION' DECAL	1
30	R09509	MADE IN CANADA STICKER	1
31	R09512	CAPACITY STICKER	1
32	R09071	SERIAL NUMBER	1
33	R08162	TYPE U DRIVE SCREW #4 X 1/4	2
34	364-02-19-000	LADDER BOTTOM RUNG ASSY	1
35	364-02-19-151	LADDER BOTTOM RUNG	1
36	364-02-19-152	LADDER TOP PC	1
37	364-02-00-153	LADDER BRKT	2
38	364-02-00-154	LADDER SHIM	2
39	364-47-00-000	MANHOLE SAFETY BAR ASSY	3
40	364-47-00-155	MANHOLE SAFETY BAR	3
41	R07825	1/2" FLAT WASHER	3
42	R08020	3/16 X 1 1/4 SS COTTER PIN	3
43	R09784	'DANGER TOXIC GAS' DECAL	1

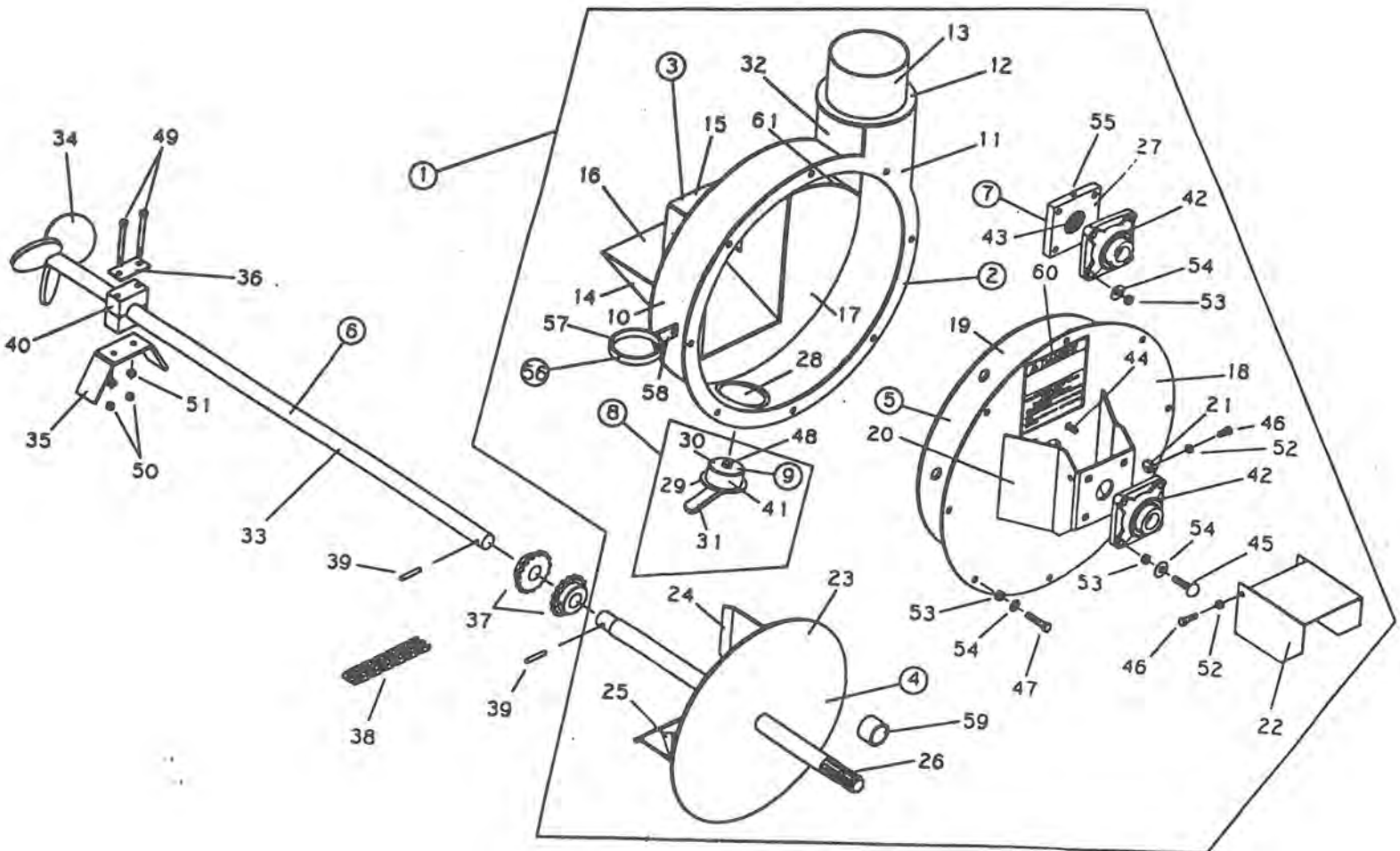
9000 LITRE



<u>KEY</u>	<u>PART NUMBER</u>	<u>DESCRIPTION</u>	<u>QTY</u>
1	362-13-00-000	9000L TANK & SILL ASSY	1
2	320-55-15-000	9000L TANK ASSY	1
3	364-02-17-000	CROSS MEMBER ASSY	1
4	340-62-00-000	HUSKY FLAG KIT	1
5	320-55-15-222	9000L TANK END	2
6	320-55-15-223	9000L TANK SHELL	2
7	320-55-00-224	BAFFLE	1
8	300-01-00-012	LIFT HOOK	3
9	300-01-00-016	BAFFLE BRKT	8
10	364-02-00-006	MANHOLE	1
11	364-02-00-008	LADDER RUNG	7
12	320-56-00-226	9000L SILL	2
13	320-56-00-225	9000L SILL CAP	4
14	340-01-00-498	SERIAL NUMBER PLATE	1
15	340-00-00-536	FLAG SPRING HOLDER	1
16	364-02-17-120	CROSS MEMBER	1
17	364-02-17-121	END CAP	2
18	364-02-17-122	TONGUE STRAP	2
19	364-02-17-123	TONGUE STRAP GUSSET	2
20	364-02-17-124	CROSS MEMBER GUSSET	2
21	R08037	FLAG SPRING	1
22	R09735	HUSKY FLAG	1
23	R21371	PLASTIC TIP	1
24	R07926	5/16-18 X 1/4 SS SET SCREW	1
25	R09510	HUSKY DECAL	2
26	R09511	ACCENT STRIP	2
27	R09501	SLOW MOVING VEHICLE SIGN	1
28	R09730	TIRE PRESSURE STICKER	1
29	R09783	'CAUTION' DECAL	1
30	R09509	MADE IN CANADA STICKER	1
31	R09512	CAPACITY STICKER	1
32	R09071	SERIAL NUMBER	1
33	R08162	TYPE U DRIVE SCREW #4 X 1/4	2
34	364-02-19-000	LADDER BOTTOM RUNG ASSY	1
35	364-02-19-151	LADDER BOTTOM RUNG	1
36	364-02-19-152	LADDER TOP PC	1
37	364-02-00-153	LADDER BRKT	2
38	364-02-00-154	LADDER SHIM	2
39	364-47-00-000	MANHOLE SAFETY BAR ASSY	3
40	364-47-00-155	MANHOLE SAFETY BAR	3
41	R07825	1/2" FLAT WASHER	3
42	R08020	3/16 X 1 1/4 SS COTTER PIN	3
43	R09784	'DANGER TOXIC GAS' DECAL	1

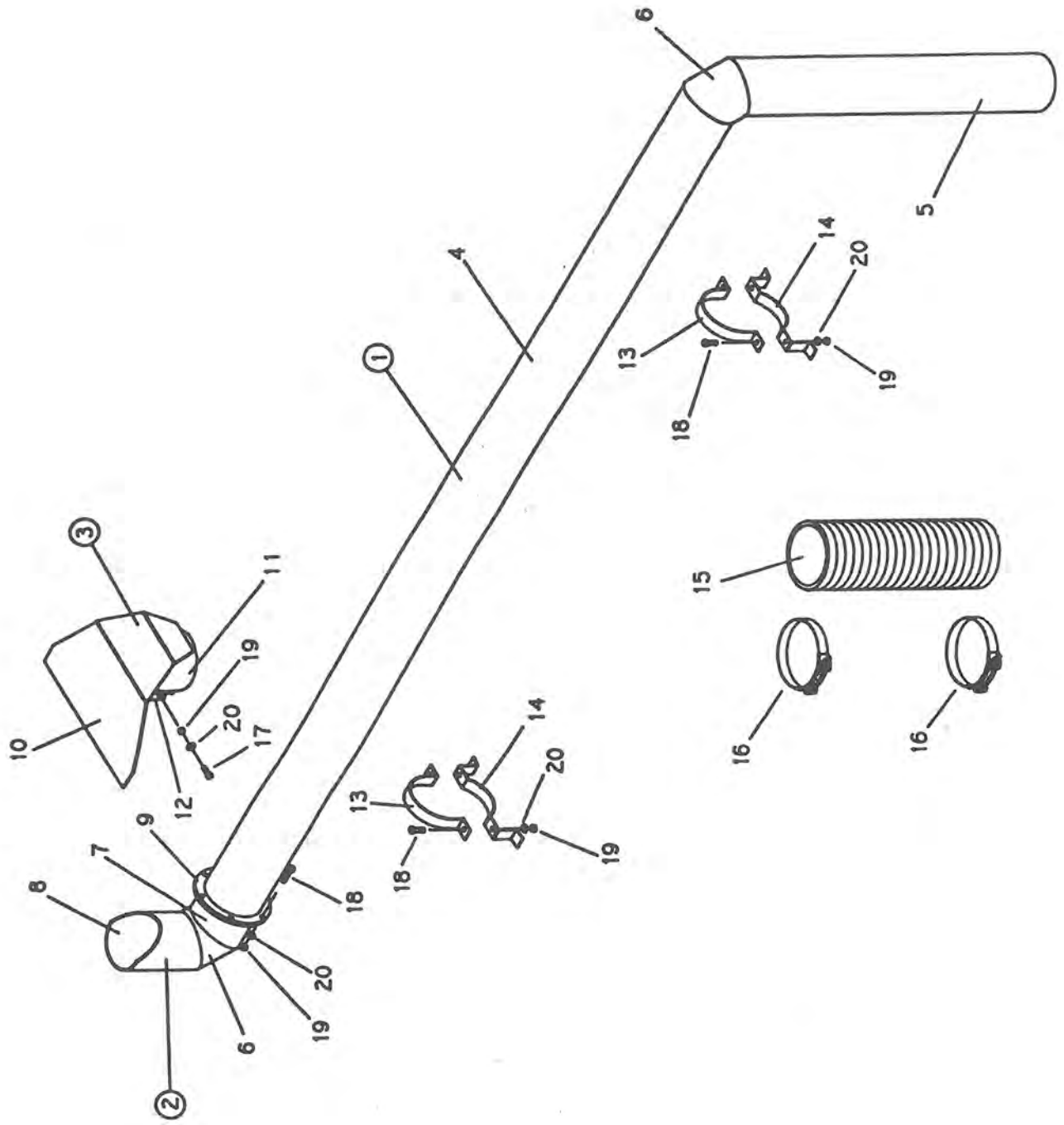
FAN & HOUSING KIT

KEY	PART NUMBER	DESCRIPTION	QTY
1	364-23-00-000	MODEL E FAN & HOUSING KIT	1
2	364-01-03-000	FAN HOUSING ASSY	1
3	364-01-15-000	HOUSING BACK PLATE ASSY	1
4	364-03-00-000	FAN ASSEMBLY 540 RPM	1
	364-39-00-000	FAN ASSEMBLY 1000 RPM	*
5	364-04-00-000	FAN HOUSING COVER ASSEMBLY	1
6	364-22-00-000	AGITATOR ASSEMBLY	1
7	364-24-00-000	DOUBLE SEAL & PLATE KIT	1
8	364-40-00-000	DRAIN PLUG KIT	1
9	364-34-00-000	BOLT & WASHER ASSEMBLY	1
10	364-01-03-018	HOUSING BAND	1
11	364-01-03-019	HOUSING FLANGE	1
12	364-01-03-062	DISCHARGE RING	1
13	364-01-03-063	DISCHARGE TUBE	1
14	364-01-03-103	OUTLET SIDE PIECE	2
15	364-01-03-104	OUTLET TOP PIECE	1
16	364-01-03-105	OUTLET BOTTOM PIECE	1
17	364-01-03-106	HOUSING BACK PLATE	1
18	364-04-00-026	HOUSING COVER PLATE	1
19	364-04-00-027	COVER PLATE SUPPORT	1

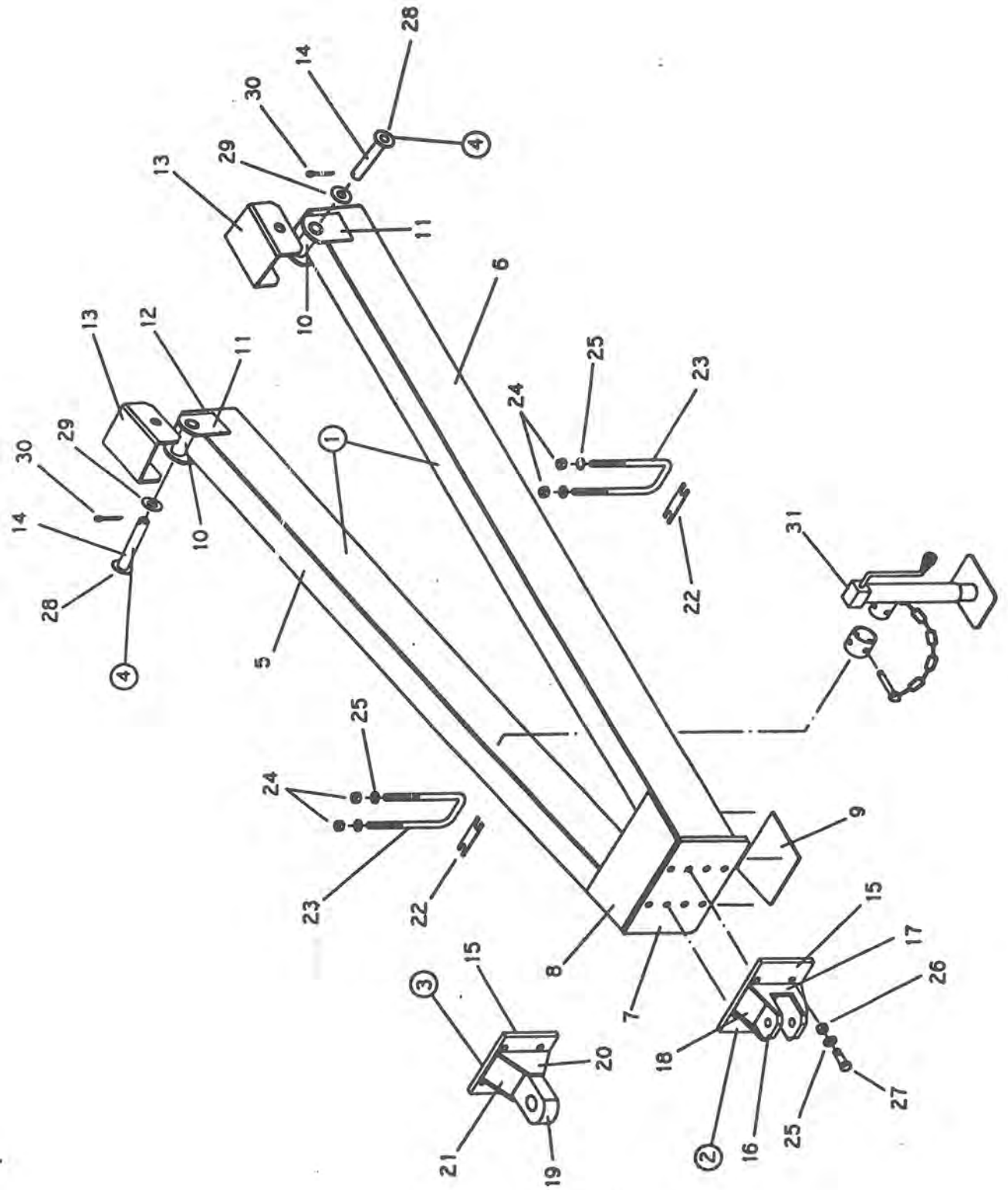


FAN & HOUSING KIT CONTINUED

KEY	PART NUMBER	DESCRIPTION	QTY
20	364-04-00-028	OUTER BRG MOUNT	1
21	364-00-00-090	FLIP GUARD STOP	1
22	364-00-00-029	FLIP GUARD	1
23	364-03-00-022	FAN BACK PLATE	1
24	364-03-00-023	FAN BLADE 540 RPM	4
	364-39-00-130	FAN BLADE 1000 RPM	4
25	364-03-00-024	FAN BLADE GUSSET	4
26	364-03-00-089	FAN SHAFT	1
27	364-00-00-086	DOUBLE SEAL KIT	1
28	364-01-03-110	DRAIN PIPE	1
29	364-00-00-112	LARGE GALV WASHER	1
30	364-00-00-113	SMALL GALV WASHER	1
31	364-00-00-114	HANDLE	1
32	364-01-03-081	FAN HOUSING VERTICAL PIECE	1
33	364-22-00-074	AGITATOR SHAFT	1
34	364-22-00-075	AGITATOR BLADE	3
35	364-00-00-077	BRG HOLDER	1
36	300-00-00-062	BRG PLATE	1
37	364-00-00-085	#50-16 COUPLER SPROCKET	2
38	R20885	#50-2 COUPLER CHAIN	1
39	R07952	5/16 X 2 ROLL PIN	2
40	R20228	1 1/4 WOOD BRG	1
41	R20281	URETHANE PLUG	1
42	R20185	1 3/8 FLANGE BRG	2
43	R21183	SEAL	2
44	R07735	7/16 X 2 1/2 CARRIAGE BOLT	4
45	R07734	7/16 X 2 CARRIAGE BOLT	4
46	R07619	3/8 X 1 HEX BOLT	3
47	R07677	7/16 X 1 1/4 HEX BOLT	8
48	R08236	3/8 X 2 SS HEX BOLT	1
49	R07625	3/8 X 4 HEX BOLT	2
50	R07783	3/8 HEX NUT	2
51	R07803	3/8 LOCK WASHER	2
52	R07886	3/8 LOCK NUT	3
53	R07784	7/16 HEX NUT	16
54	R07804	7/16 LOCK WASHER	16
55	R08183	1/4-28 UNF GREASE FITTING	1
56	364-41-00-000	PTO HOLDER ASSEMBLY	1
57	364-41-00-000	PTO HOLDER	1
58	364-41-00-133	PTO HOLDER BRKT	1
59	364-00-00-134	PTO SPACER	1
60	R09785	'DANGER' DECAL	1
61	364-01-03-156	HOUSING BAND AID	1



<u>KEY</u>	<u>PART NUMBER</u>	<u>DESCRIPTION</u>	<u>QTY</u>
1	364-19-00-000	DISCHARGE PIPE ASSY-12&14000L	1
	359-30-00-000	DISCHARGE PIPE ASSY-15000L	1
	362-20-00-000	DISCHARGE PIPE ASSY-7&9000L	1
2	364-25-00-000	DISCHARGE PIPE END SECTION	1
3	364-21-00-000	SPLASH PLATE ASSY	1
4	364-19-00-065	HORIZONTAL DISCHARGE PIPE-12&14000L	1
	359-30-00-108	HORIZONTAL DISCHARGE PIPE-15000L	1
	362-20-00-068	HORIZONTAL DISCHARGE PIPE-7&9000L	1
5	364-19-00-064	VERTICAL DISCHARGE PIPE	1
6	364-19-00-082	DISCHARGE PIPE CORNER PIECE	2
7	364-25-00-088	DISCHARGE PIPE FLANGE PIECE	1
8	364-25-00-067	DISCHARGE PIPE END PIECE	1
9	364-19-00-087	DISCHARGE PIPE FLANGE	2
10	364-21-00-069	SPLASH PLATE	1
11	364-21-00-070	CLAMPING TUBE	1
12	364-21-00-071	CLAMPING TUBE BRKT	2
13	364-00-00-083	DISCHARGE CLAMP UPPER PIECE	2
14	364-00-00-084	DISCHARGE CLAMP BASE PIECE	2
15	364-00-00-066	FLEX HOSE	1
16	R02482	6" CLAMP	2
17	R07622	3/8 X 2 1/2 HEX BOLT	2
18	R07675	3/8 X 1 1/4 HEX BOLT	10
19	R07783	3/8 HEX NUT	12
20	R07803	3/8 LOCK WASHER	12



<u>KEY</u>	<u>PART NUMBER</u>	<u>DESCRIPTION</u>	<u>QTY</u>
1	364-35-00-000	TONGUE ASSY	1
2	364-05-00-000	STD HITCH ASSY	1
3	364-26-00-000	SINGLE POINT HITCH ASSY	*
4	315-39-00-000	LOCK PIN ASSY	2

5	364-35-00-115	R H TONGUE TUBE	1
6	364-35-00-116	L H TONGUE TUBE	1
7	364-35-00-117	HITCH BOLT PLATE	1
8	364-35-00-118	TONGUE TUBE UPPER GUSSET	1

9	364-35-00-119	TONGUE TUBE LOWER GUSSET	1
10	315-36-00-145	BUSHING	2
11	315-36-00-146	SIDE PIECE	4
12	315-36-00-147	TONGUE TUBE END CAP	2

13	315-31-00-115	TONGUE 'U' PIECE	2
14	315-39-00-155	LOCK PIN	2
15	364-05-00-030	HITCH BACK PLATE	1
16	364-05-00-031	HITCH PLATE	2

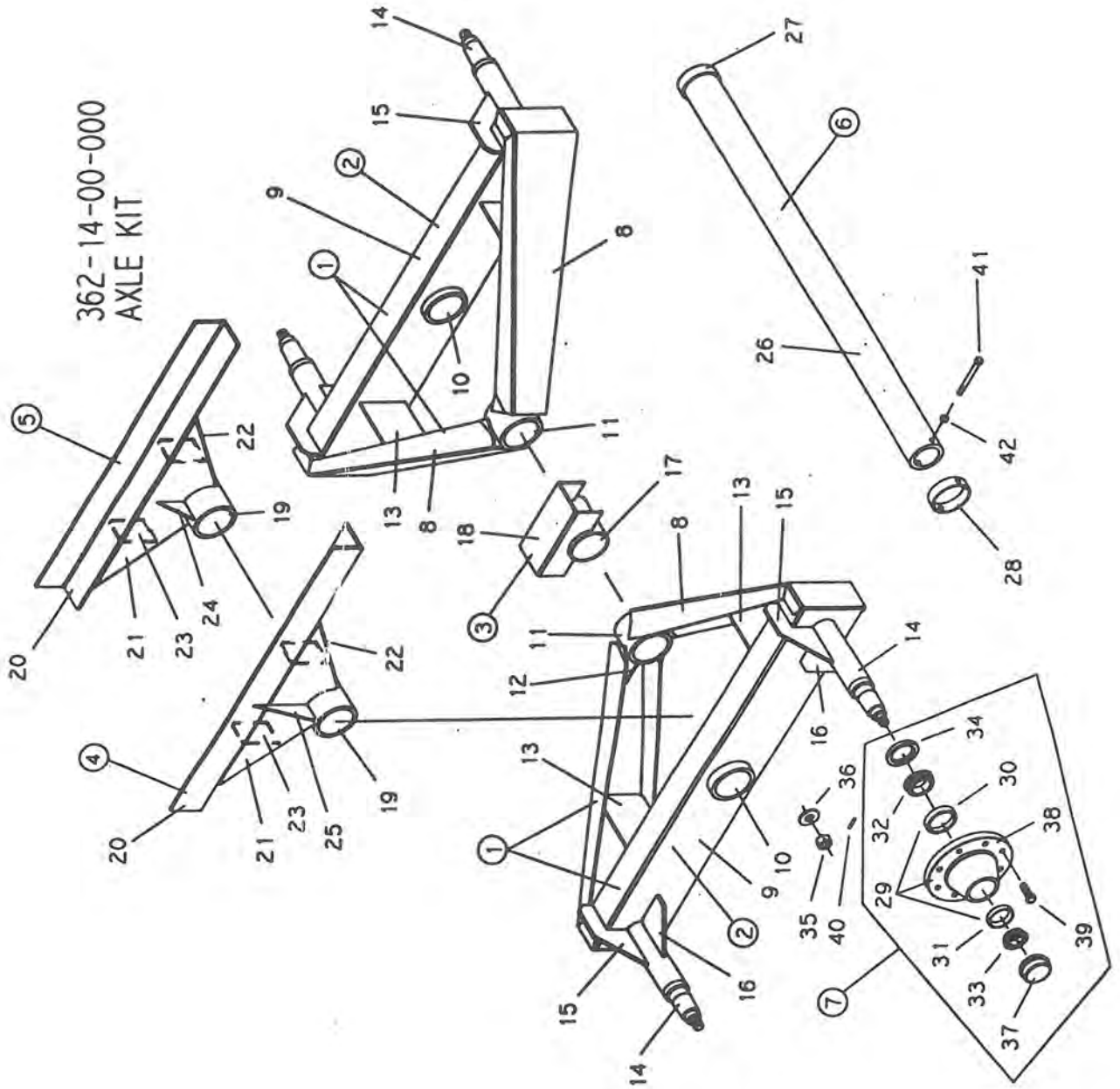
17	364-05-00-032	HITCH SIDE GUSSET	2
18	364-05-00-033	HITCH UPPER GUSSET	1
19	364-26-00-091	SINGLE POINT HITCH	1
20	364-26-00-092	SINGLE POINT HITCH GUSSET	2

21	364-26-00-093	HITCH UPPER & LOWER GUSSET	2
22	364-00-00-131	U BOLT SPACER	2
23	R08172	3/4 NF X 10" U BOLT	2
24	R07820	3/4 NF HEX NUT	4

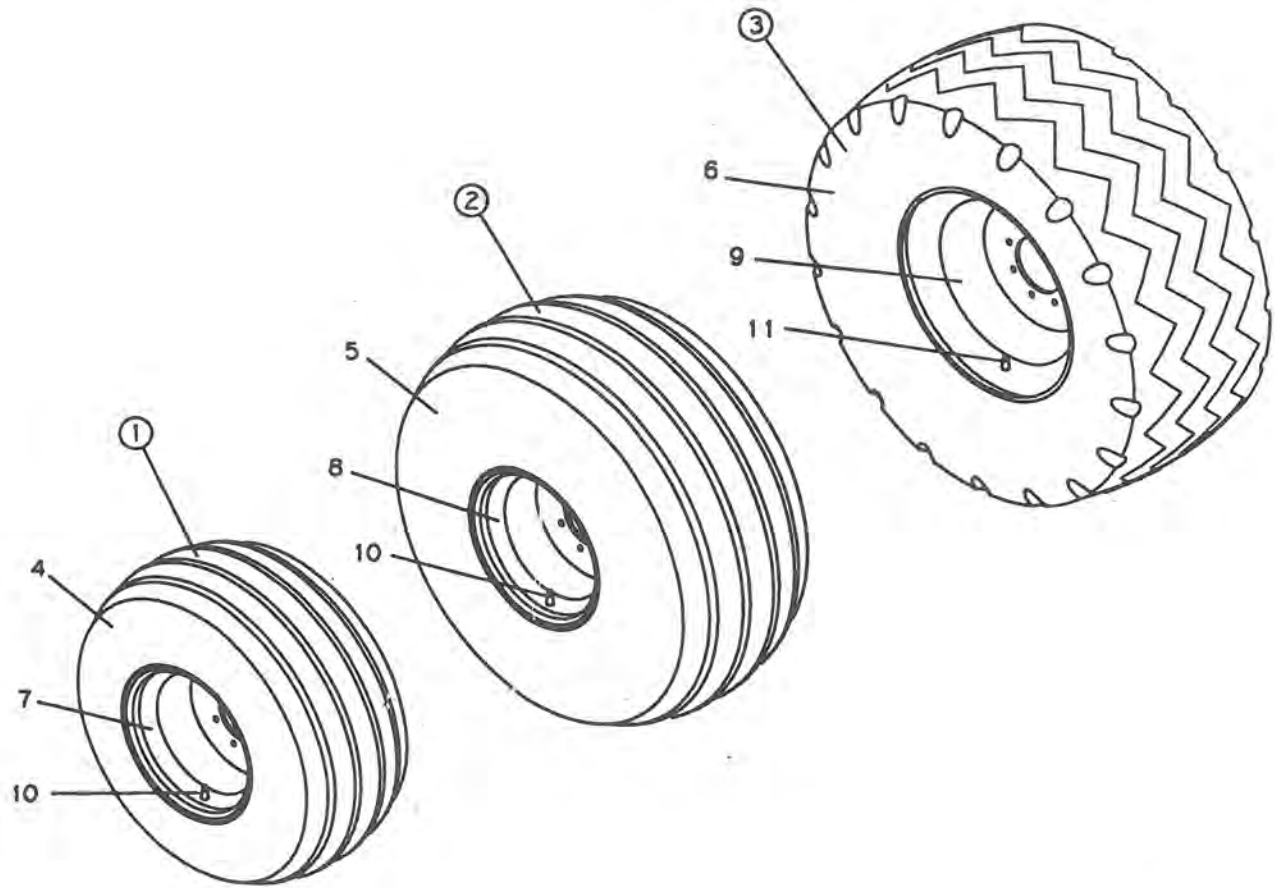
25	R07807	3/4" LOCK WASHER	8
26	R07787	3/4" HEX NUT	4
27	R07655	3/4 X 2 1/2 HEX BOLT	4
28	R07828	1 FLAT WASHER	2

29	R07830	1 1/4 FLAT WASHER	2
30	R08016	1/4 X 2 COTTER PIN	2
31	R09751	7000 LB SIDE WIND JACK	1

362-14-00-000
AXLE KIT



KEY	PART NUMBER	DESCRIPTION	QTY
1	362-14-14-000	TANDEM SIDE ASSY	2
2	362-14-10-000	WALKING BEAM ASSY	2
3	315-34-00-000	TANDEM CENTRE YOKE ASSY	1
4	315-35-00-000	AXLE PIVOT ASSY R.H.	1
5	315-02-00-000	AXLE PIVOT ASSY L.H.	1
6	315-04-00-000	AXLE TUBE ASSY	1
7	300-27-00-000	8-BOLT HUB ASSY COMPLETE	4
8	315-33-00-124	TANDEM SIDE ARM	4
9	362-14-10-055	WALKING BEAM	2
10	315-33-00-127	ROCKER SLEEVE - OUTER	2
11	315-33-00-120	ROCKER SLEEVE - INNER	2
12	315-33-00-126	CENTRE GUSSET	4
13	315-33-00-125	STIFFENER PLATE	4
14	362-14-10-056	SPINDLE	4
15	362-10-10-080	GUSSET	4
16	315-33-00-122	SPINDLE GUSSET	4
17	315-34-00-128	SPACER SLEEVE	1
18	315-34-00-129	CENTRE YOKE	1
19	315-35-00-130	STATIONARY SLEEVE	2
20	315-35-00-131	SILL ANGLE PLATE	2
21	315-35-00-132	AXLE SIDE PLATE	4
22	315-35-00-133	COVER STRIP	4
23	315-35-00-134	INNER SUPPORT PLATE	4
24	315-35-00-135	PIVOT INNER GUSSET	2
25	315-35-00-166	PIVOT OUTER GUSSET	2
26	315-04-00-530	AXLE TUBE	1
27	330-08-00-528	STOP RING	1
28	315-00-00-137	AXLE RETAINING RING	1
29	R20125	8-BOLT HUB WITH CUPS	4
30	R20112	INNER CUP	4
31	R20113	OUTER CUP	4
32	R20114	INNER CONE	4
33	R20115	OUTER CONE	4
34	R20116	HUB SEAL	4
35	R20117	SPINDLE NUT	4
36	R20118	SPINDLE WASHER	4
37	R20119	DUST CAP	4
38	R20126	8-BOLT HUB LESS CUPS	4
39	R20120	5/8 X 2-3/8 N.F. WHEEL BOLT	32
40	R07943	3/16 X 1-1/2 ROLL PIN	4
41	R07644	1/2 X 5 UNC BOLT	1
42	R07785	1/2 HEX NUT	1



<u>KEY</u>	<u>PART NUMBER</u>	<u>DESCRIPTION</u>	<u>QTY</u>
1	300-26-00-000	16.5 X 16.1 TIRE AND WHEEL ASSY	4
2	325-64-00-000	21.5 X 16.1 TIRE & WHEEL, 8-BOLT, 10-PLY	*
3	325-55-00-000	18 X 22.5 TRUCK TIRE, TUBE AND WHEEL	*
4	R20004	16.5 X 16.1 IMPLEMENT TIRE	4

5	R20005	21.5 X 16.1 IMPLEMENT TIRE 10-PLY	*
6	R20011	18 X 22.5 USED TRUCK TIRE	*
7	R20073	16.1 WHEEL FOR 16.5 TIRE 8-BOLT	4
8	R20074	16.1 WHEEL FOR 21.5 TIRE 8-BOLT	*

9	R20058	13.5 WHEEL FOR 18" TRUCK TIRE	*
10	R20020	VALVE STEM	4
11	R20032	TUBE FOR 18 X 22.5 TRUCK TIRE	*
12	R20024	REPAIR TUBE FOR 16.5 TIRE (NOT SHOWN)	*

13	R20025	REPAIR TUBE FOR 21.5 TIRE (NOT SHOWN)	*

SIGHT GAUGE KIT

<u>KEY</u>	<u>PART NUMBER</u>	<u>DESCRIPTION</u>	<u>QTY</u>
1	330-93-30-000	FLOAT ARM ASSY	1
2	330-93-31-000	BRONZE BRG HOLDER ASSY	1
3	330-93-32-000	INDICATOR ARM ASSY	1
4	330-93-32-374	CONNECTOR SHAFT	1

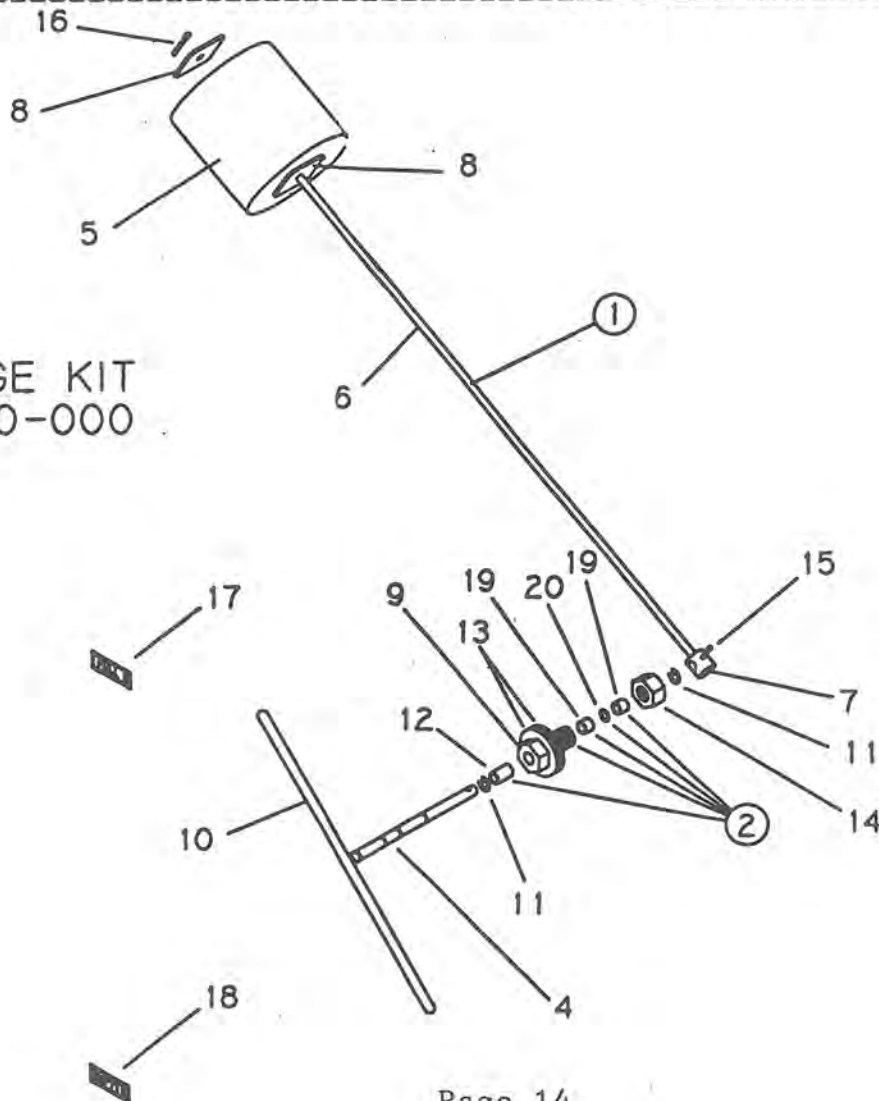
5	330-93-00-375	FLOAT	1
6	330-93-30-376	FLOAT ARM	1
7	330-93-30-377	BOSS	1
8	330-93-30-378	FLOAT STRAPS	2

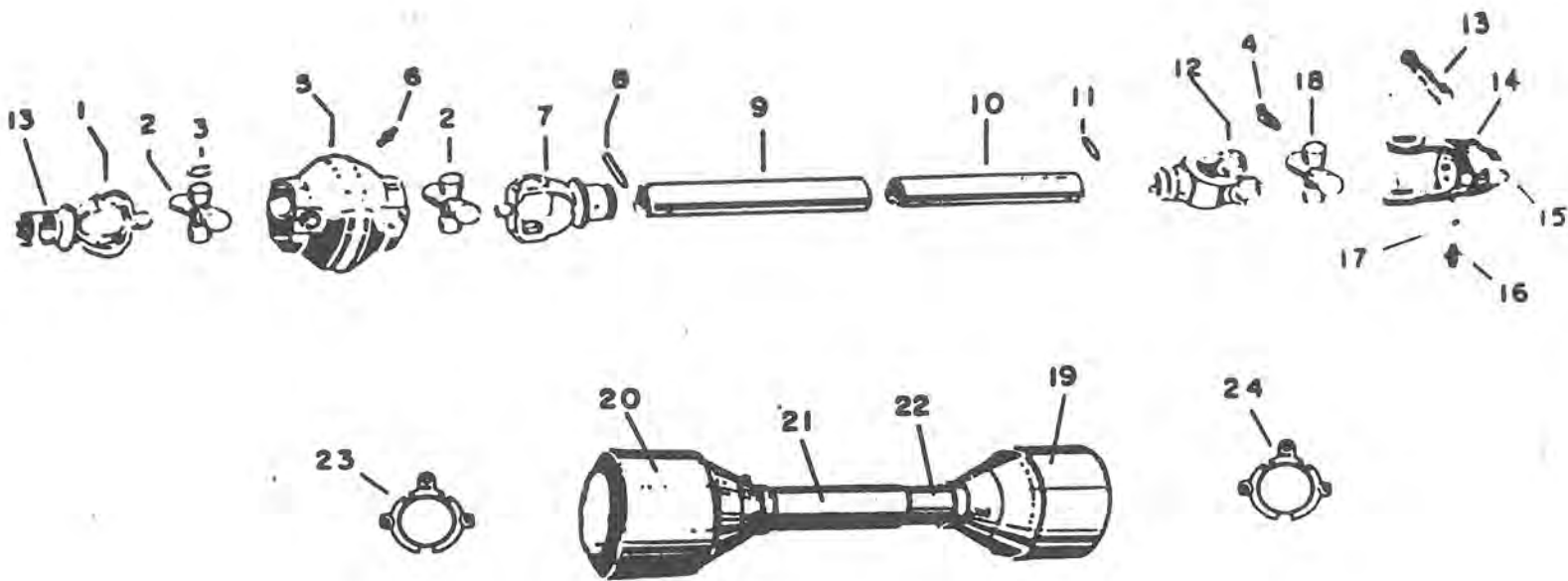
9	330-93-31-379	BRONZE BEARING HOLDER	1
10	330-93-32-424	INDICATOR ARM	1
11	R07974	EXTERNAL RETAINING RING	2
12	R20265	1/2ID X 5/8OD X 1" LONG BRONZE BUSHING	1

13	R07828	1" FLAT WASHER	2
14	R07788	1" HEX NUT	1
15	R07950	3/16 X 1-1/4 ROLL PIN	1
16	R08021	1/8 X 1 S.S. COTTER PIN	1

17	R09529	"FULL" STICKER	1
18	R09530	"EMPTY" STICKER	1
19	R21173	1/2 X 5/8 X 1/2 BRONZE BUSHING	2
20	R20865	1/2 X 5/8 X 1/16 O-RING	1

SITE GAUGE KIT
330-93-00-000





SERIES 4 CV JOINT PTO

R20299 -540 RPM
R20301 -1000 RPM

<u>KEY</u>	<u>PART NUMBER</u>	<u>DESCRIPTION</u>	<u>QTY</u>
1	R21464	OUTER YOKE W/QD PIN 1 3/8 6T 540RPM	1
	R21465	OUTER YOKE W/QD PIN 1 3/8 21T 1000RPM	*
2	R21470	JOURNAL & BEARING KIT	2
3	R21443	SNAP RING	12
4	R21481	GREASE FITTING M10-1.0 X 45 DEGREE	1
5	R21471	CV CENTRAL BODY	1
6	R21480	GREASE FITTING M6-1.0 STRAIGHT	5
7	R21474	OUTER TUBE YOKE	1
8	R21475	SPRING DOWEL FOR OUTER TUBE	1
9	R21478	OUTER TUBE	1
10	R21479	INNER TUBE	1
11	R21476	SPRING DOWEL FOR INNER TUBE	1
12	R21472	INNER TUBE YOKE	1
13	R21451	QD PIN KIT	2
14	R21473	SHEAR BOLT TORQUE LIMITED 1 3/8 6 T	1
15	R08251	SHEAR BOLT M8 1.24 X 45 LONG	1
16	R21482	GREASE FITTING M10-1.0 STRAIGHT	1
17	R21483	BALL BEARING	17
18	R21442	JOURNAL AND BEARING KIT	1
19	R21468	INNER BELL	1
20	R21469	OUTER BELL	1
21	R21466	OUTER SHIELD TUBING	1
22	R21467	INNER SHIELD TUBING	1
23	R21456	GUARD RETAINING COLLAR - OUTER	1
24	R21455	GUARD RETAINING COLLAR - INNER	1