

DATE PURCHASED _____

MACHINE SERIAL NO. _____

OPTIONS _____

Office copy
 Aug 26/91
 20 made
 Dec 1/91
 10 made
 Jan 28/92
 10 made
 Nov 20/92
 10 made
 May 8/92
 5 made
 Aug 12/92
 10 made

PLEASE NOTE:

The key number system in this parts book is arranged as follows:

- 0 --Key number with one circle denotes main assemblies
- Key numbers not circled are individual parts

Please order parts by number

MODEL "E"
 12000, 14000 & 15000 LITRE
 HUSKY LIQUID MANURE SPREADER

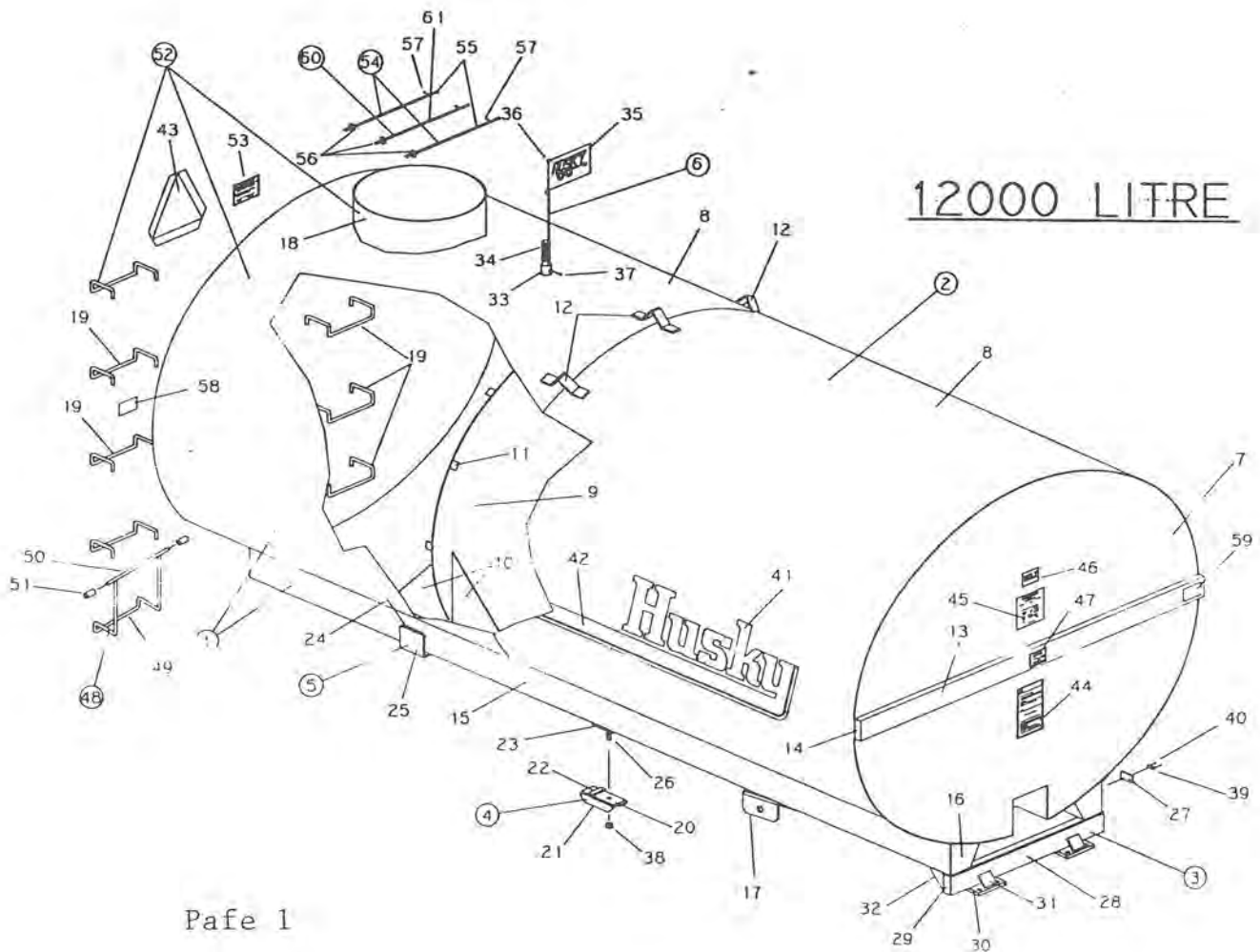
<u>KEY</u>	<u>PART NUMBER</u>	<u>DESCRIPTION</u>	<u>QTY</u>
1	326-88-00-000	12000 L TANK & SILL ASSY	1
2	326-88-25-000	12000 L TANK ASSY	1
3	364-02-17-000	CROSS MEMBER ASSY	1
4	340-41-00-000	CLAMPING BRKT ASSY	2

5	340-01-20-000	AXLE REAR STOP ASSY	2
6	340-62-00-000	HUSKY FLAG KIT	1
7	326-88-25-277	12000L TANK END	2
8	326-88-25-278	12000L TANK SHELL	2

9	326-88-25-279	12000L BAFFLE	1
10	340-01-01-459	BAFFLE GUSSET	4
11	300-01-00-016	BAFFLE BRKT	8
12	300-01-00-012	LIFT HOOK	3

13	326-88-00-280	TANK STIFFENER	2
14	330-66-00-258	STIFFENER CAPS	4
15	326-89-00-283	12000L SILL	2
16	326-89-00-284	SILL CAP	4

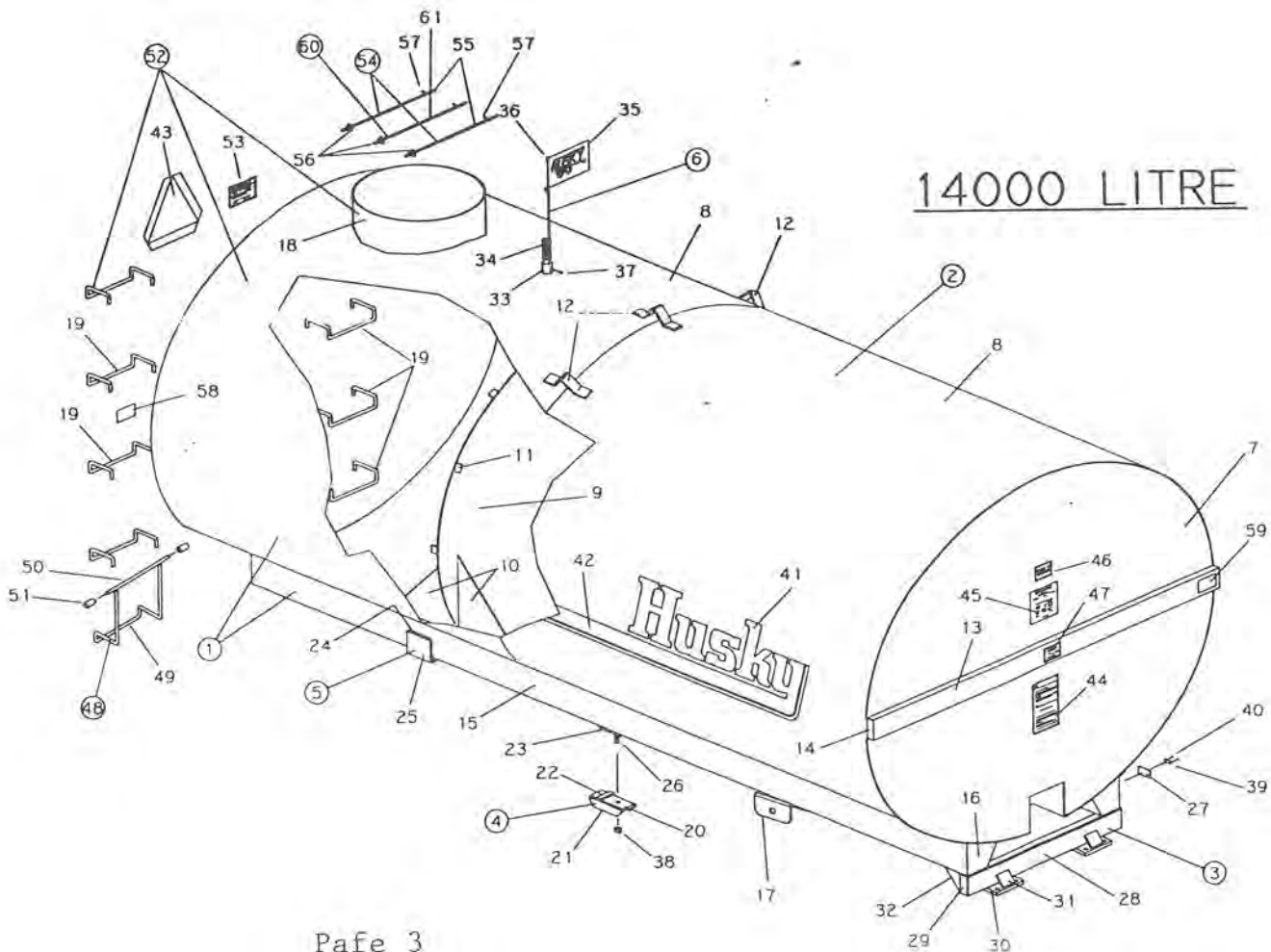
17	315-31-00-115	TONGUE U PIECE	2
18	364-02-00-006	MANHOLE	1
19	364-02-00-008	LADDER RUNG	7
20	340-41-00-442	CLAMPING BRKT	2



12000L TANK COMPLETE

KEY	PART NUMBER	DESCRIPTION	QTY
21	340-41-00-443	CLAMPING BRKT GUSSET	4
22	340-41-00-444	FILLER BAR	2
23	340-01-00-445	FRONT SPACER	2
24	340-01-20-446	AXLE REAR INNER STOP	2
25	340-01-20-447	AXLE REAR OUTER SUPPORT	2
26	340-00-00-448	SCRAPER BLADE BOLT	2
27	340-01-00-498	SERIAL NUMBER PLATE	1
28	364-02-17-120	CROSS MEMBER	1
29	364-02-17-121	END CAP	2
30	364-02-17-122	TONGUE STRAP	2
31	364-02-17-123	TONGUE STRAP GUSSET	2
32	364-02-17-128	CROSS MEMBER GUSSET	2
33	340-00-00-536	FLAG SPRING HOLDER	1
34	R08037	FLAG SPRING	1
35	R09735	HUSKY FLAG	1
36	R21371	PLASTIC TIP	1
37	R07926	5/16-18 X 1/4 SS SET SCREW	1
38	R07878	3/4" NYLON INSERT NUT	2
39	R09071	SERIAL NUMBER	1
40	R08162	TYPE "U" DRIVE SCREW 4 X 1/4	2
41	R09510	HUSKY DECAL	2
42	R09511	ACCENT STRIP	2
43	R09501	SLOW MOVING VEHICLE SIGN	1
44	R09783	'CAUTION' DECAL	1
45	R09730	TIRE PRESSURE STICKER	1
46	R09509	MADE IN CANADA STICKER	1
47	R09512	CAPACITY STICKER	1
48	364-02-19-000	LADDER BOTTOM RUNG ASSY	1
49	364-02-19-151	LADDER BOTTOM RUNG	1
50	364-02-19-152	LADDER TOP PIECE	1
51	364-02-00-153	LADDER BRACKET	2
52	363-09-00-000	12000L TANK, SILL, FUNNEL, LADDER ASY.	1
53	R09784	'DANGER-TOXIC GAS' DECAL	1
54	364-47-00-000	MANHOLE SAFETY BAR ASSY	2
55	364-47-00-155	MANHOLE SAFETY BAR	2
56	R07825	1/2" FLAT WASHER	3
57	R08020	3/16 X 1-1/4 S.S. COTTER PIN	3
58	R10096	RED REFLECTOR	2
59	R10097	AMBER REFLECTOR	1
60	364-49-00-000	LONG MANHOLE SAFETY BAR ASSY	1
61	364-49-00-164	LONG SAFETY BAR	1

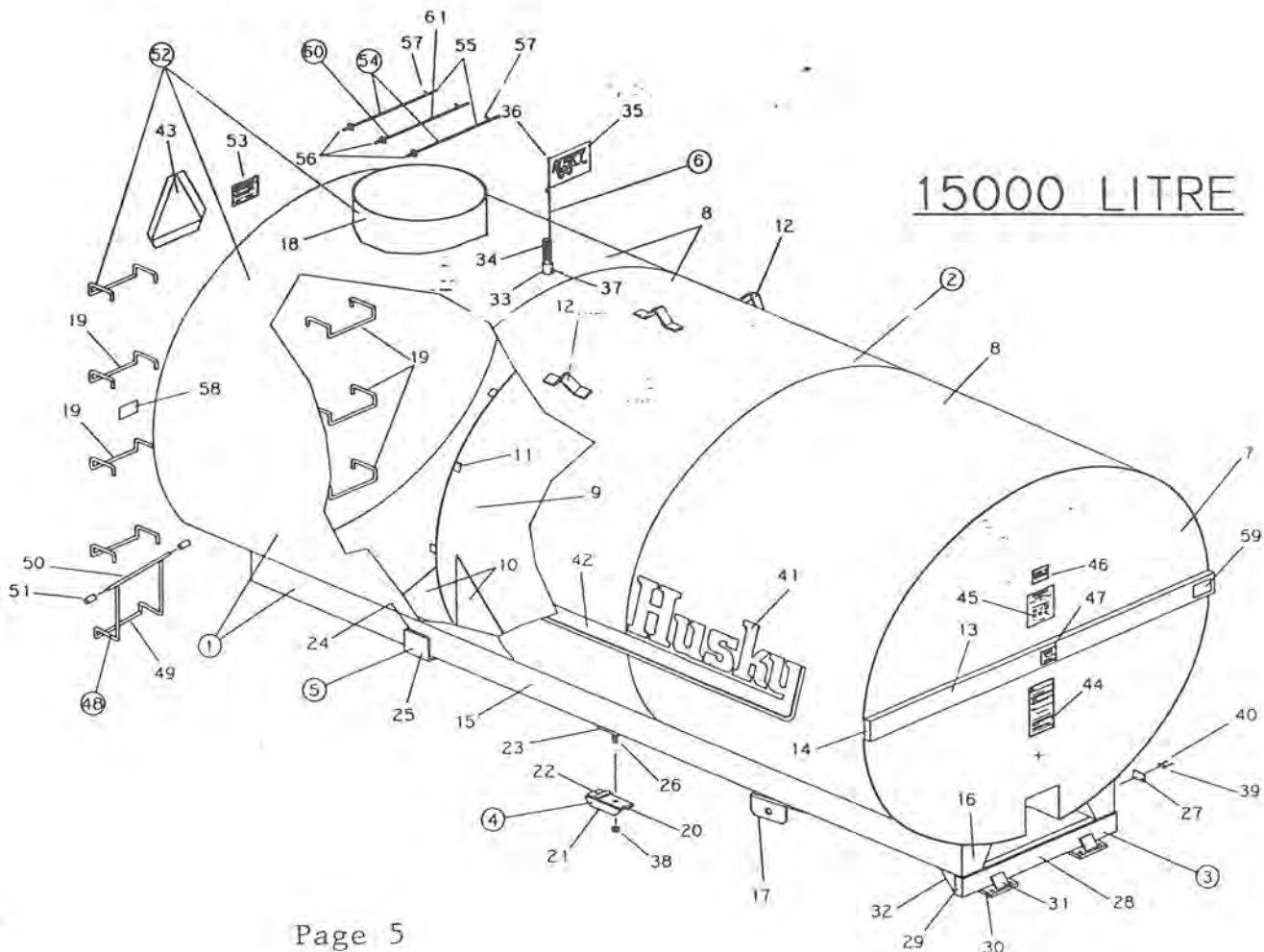
KEY	PART NUMBER	DESCRIPTION	QTY
1	330-66-00-000	14000L TANK & SILL ASSY	1
2	330-66-21-000	14000L TANK ASSY	1
3	364-02-17-000	CROSS MEMBER ASSY	1
4	340-41-00-000	CLAMPING BRKT ASSY	2
5	340-01-20-000	AXLE REAR STOP ASSY	2
6	340-62-00-000	HUSKY FLAG KTI	1
7	330-66-21-254	14000L TANK END	2
8	330-66-21-255	14000L TANK SHELL	2
9	330-66-21-256	14000L BAFFLE	1
10	340-01-01-459	BAFFLE GUSSET	4
11	300-01-00-016	BAFFLE BRKT	8
12	300-01-00-012	LIFT HOOK	3
13	330-66-00-257	TANK STIFFENER	2
14	330-66-00-258	STIFFENER CAPS	4
15	330-67-00-259	14000L SILL	2
16	330-67-00-260	SILL CAP	4
17	315-31-00-115	TONGUE U PIECE	2
18	364-02-00-006	MANHOLE	1
19	364-02-00-008	LADDER RUNG	7
20	340-41-00-442	CLAMPING BRKT	2



14000L TANK COMPLETE

<u>KEY</u>	<u>PART NUMBER</u>	<u>DESCRIPTION</u>	<u>QTY</u>
21	340-41-00-443	CLAMPING BRKT GUSSET	4
22	340-41-00-444	FILLER BAR	2
23	340-01-00-445	FRONT SPACER	2
24	340-01-20-446	AXLE REAR INNER STOP	2
25	340-01-20-447	AXLE REAR OUTER SUPPORT	2
26	340-00-00-448	SCRAPER BLADE BOLT	2
27	340-01-00-498	SERIAL NUMBER PLATE	1
28	364-02-17-120	CROSS MEMBER	1
29	364-02-17-121	END CAP	2
30	364-02-17-122	TONGUE STRAP	2
31	364-02-17-123	TONGUE STRAP GUSSET	2
32	364-02-17-128	CROSS MEMBER GUSSET	2
33	340-00-00-536	FLAG SPRING HOLDER	1
34	R08037	FLAG SPRING	1
35	R09735	HUSKY FLAG	1
36	R21371	PLASTIC TIP	1
37	R07926	5/16 - 18 X 1/4 SS SET SCREW	1
38	R07878	3/4 NYLON INSERT NUT	2
39	R09071	SERIAL NUMBER	1
40	R08162	TYPE "U" DRIVE SCREW #4 X 1/4	2
41	R09510	HUSKY DECAL	2
42	R09511	ACCENT STRIP	2
43	R09501	SLOW MOVING-VEHICLE SIGN	1
44	R09783	'CAUTION' DECAL	1
45	R09730	TIRE PRESSURE STICKER	1
46	R09509	MADE IN CANADA STICKER	1
47	R09512	CAPACITY STICKER	1
48	364-02-19-000	LADDER BOTTOM RUNG ASSY	1
49	364-02-19-151	LADDER BOTTOM RUNG	1
50	364-02-19-152	LADDER TOP PIECE	1
51	364-02-00-153	LADDER BRACKET	2
52	364-02-00-000	TANK, SILL, FUNNEL, LADDER COMPL.	1
53	R09784	'DANGER-TOXIC GAS' DECAL	1
54	364-47-00-000	MANHOLE SAFETY BAR ASSY	2
55	364-47-00-155	MANHOLE SAFETY BAR	2
56	R07825	1/2" FLAT WASHER	3
57	R08020	3/16 X 1-1/4 S.S. COTTER PIN	3
58	R10096	RED REFLECTOR	2
59	R10097	AMBER REFLECTOR	1
60	364-49-00-000	LONG MANHOLE SAFETY BAR ASSY	1
61	364-49-00-164	LONG SAFETY BAR	1

KEY	PART NUMBER	DESCRIPTION	QTY
1	335-01-03-000	15000L TANK & SILL ASSY	1
2	335-01-01-000	15000L TANK ASSY	1
3	364-02-17-000	CROSS MEMBER ASSY	1
4	340-41-00-000	CLAMPING BRKT ASSY	2
5	340-01-20-000	AXLE REAR STOP ASSY	2
6	340-62-00-000	HUSKY FLAG KTI	1
7	330-66-21-254	15000L TANK END	2
8	335-01-01-002	15000L TANK SHELL	3
9	330-66-21-256	15000L BAFFLE	1
10	340-01-01-459	BAFFLE GUSSET	4
11	300-01-00-016	BAFFLE BRKT	8
12	300-01-00-012	LIFT HOOK	3
13	330-66-00-257	TANK STIFFENER	2
14	330-66-00-258	STIFFENER CAPS	4
15	335-01-00-001	14000L SILL	2
16	330-67-00-260	SILL CAP	4
17	315-31-00-115	TONGUE U PIECE	2
18	364-02-00-006	MANHOLE	1
19	364-02-00-008	LADDER RUNG	7
20	340-41-00-442	CLAMPING BRKT	2

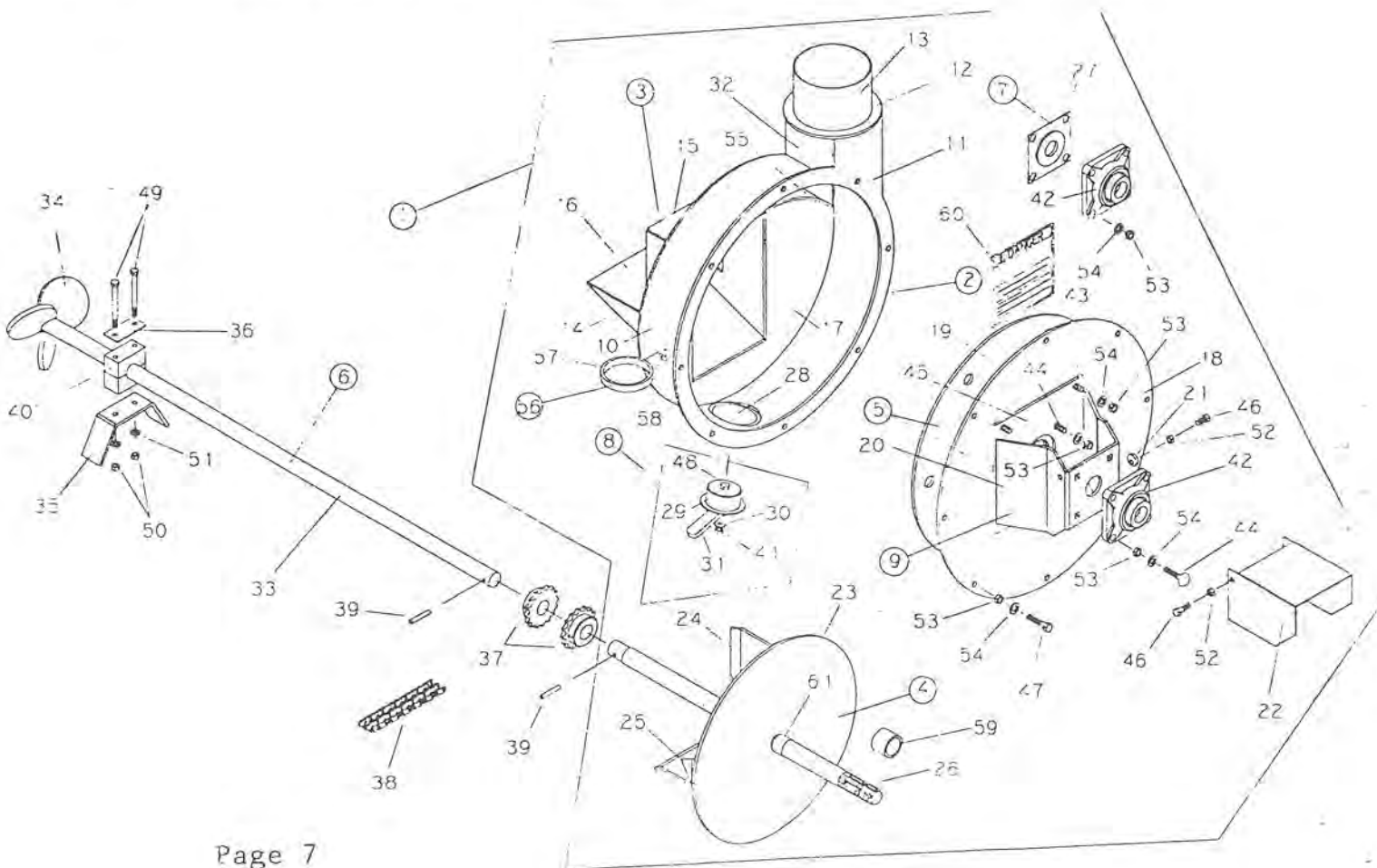


15000L TANK COMPLETE

<u>KEY</u>	<u>PART NUMBER</u>	<u>DESCRIPTION</u>	<u>QTY</u>
21	340-41-00-443	CLAMPING BRKT GUSSET	4
22	340-41-00-444	FILLER BAR	2
23	340-01-00-445	FRONT SPACER	2
24	340-01-20-446	AXLE REAR INNER STOP	2
25	340-01-20-447	AXLE REAR OUTER SUPPORT	2
26	340-00-00-448	SCRAPER BLADE BOLT	2
27	340-01-00-498	SERIAL NUMBER PLATE	1
28	364-02-17-120	CROSS MEMBER	1
29	364-02-17-121	END CAP	2
30	364-02-17-122	TONGUE STRAP	2
31	364-02-17-128	TONGUE STRAP GUSSET	2
32	364-02-17-124	CROSS MEMBER GUSSET	2
33	340-00-00-536	FLAG SPRING HOLDER	1
34	R08037	FLAG SPRING	1
35	R09735	HUSKY FLAG	1
36	R21371	PLASTIC TIP	1
37	R07926	5/16 - 18 X 1/4 SS SET SCREW	1
38	R07878	3/4 NYLON INSERT NUT	2
39	R09071	SERIAL NUMBER	1
40	R08162	TYPE "U" DRIVE SCREW #4 X 1/4	2
41	R09510	HUSKY DECAL	2
42	R09511	ACCENT STRIP	2
43	R09501	SLOW MOVING VEHICLE SIGN	1
44	R09783	'CAUTION' DECAL	1
45	R09730	TIRE PRESSURE STICKER	1
46	R09509	MADE IN CANADA STICKER	1
47	R09512	CAPACITY STICKER	1
48	364-02-19-000	LADDER BOTTOM RUNG ASSY	1
49	364-02-19-151	LADDER BOTTOM RUNG	1
50	364-02-19-152	LADDER TOP PIECE	1
51	364-02-00-153	LADDER BRACKET	2
52	359-29-00-000	TANK, SILL, FUNNEL, LADDER COMPL.	1
53	R09784	'DANGER-TOXIC GAS' DECAL	1
54	364-47-00-000	MANHOLE SAFETY BAR ASSY	2
55	364-47-00-155	MANHOLE SAFETY BAR	2
56	R07825	1/2" FLAT WASHER	3
57	R08020	3/16 X 1-1/4 S.S. COTTER PIN	3
58	R10096	RED REFLECTOR	2
59	R10097	AMBER REFLECTOR	1
60	364-49-00-000	LONG MANHOLE SAFETY BAR ASSY	1
61	364-49-00-164	LONG SAFETY BAR	1

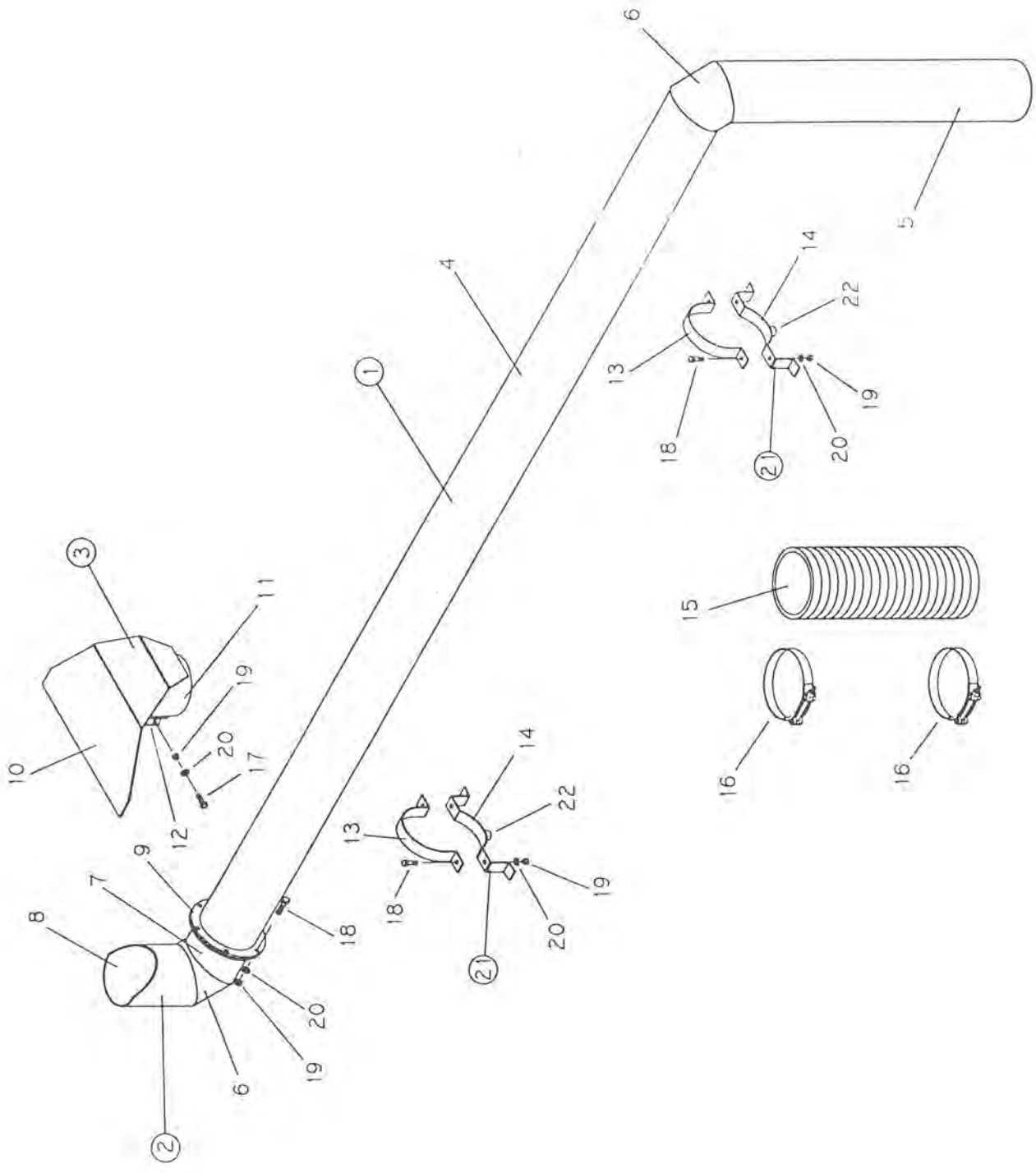
FAN & HOUSING KIT

KEY	PART NUMBER	DESCRIPTION	QTY
1	364-23-00-000	MODEL E FAN & HOUSING KIT 540 RPM	1
	364-56-00-000	MODEL E FAN & HOUSING KIT 1000 RPM	*
2	364-01-03-000	FAN HOUSING ASSY	1
3	364-01-15-000	HOUSING BACK PLATE ASSY	1
<hr/>			
4	364-03-00-000	FAN ASSEMBLY 540 RPM	1
	364-39-00-000	FAN ASSEMBLY 1000 RPM	*
5	364-51-00-000	FAN HOUSING COVER ASSEMBLY	1
6	364-22-00-000	AGITATOR ASSEMBLY	1
<hr/>			
7	364-54-00-000	SEAL & PLATE KIT	1
8	364-53-00-000	DRAIN PLUG KIT	1
9	364-52-00-000	BRG HOLDER ASSEMBLY	1
10	364-01-03-018	HOUSING BAND	1
<hr/>			
11	364-01-03-019	HOUSING FLANGE	1
12	364-01-03-062	DISCHARGE RING	1
13	364-01-03-063	DISCHARGE TUBE	1
14	364-01-03-103	OUTLET SIDE PIECE	2
<hr/>			
15	364-01-03-104	OUTLET TOP PIECE	1
16	364-01-03-105	OUTLET BOTTOM PIECE	1
17	364-01-03-106	HOUSING BACK PLATE	1
18	364-51-00-168	HOUSING COVER PLATE	1
<hr/>			
19	364-51-00-169	COVER PLATE SUPPORT	1



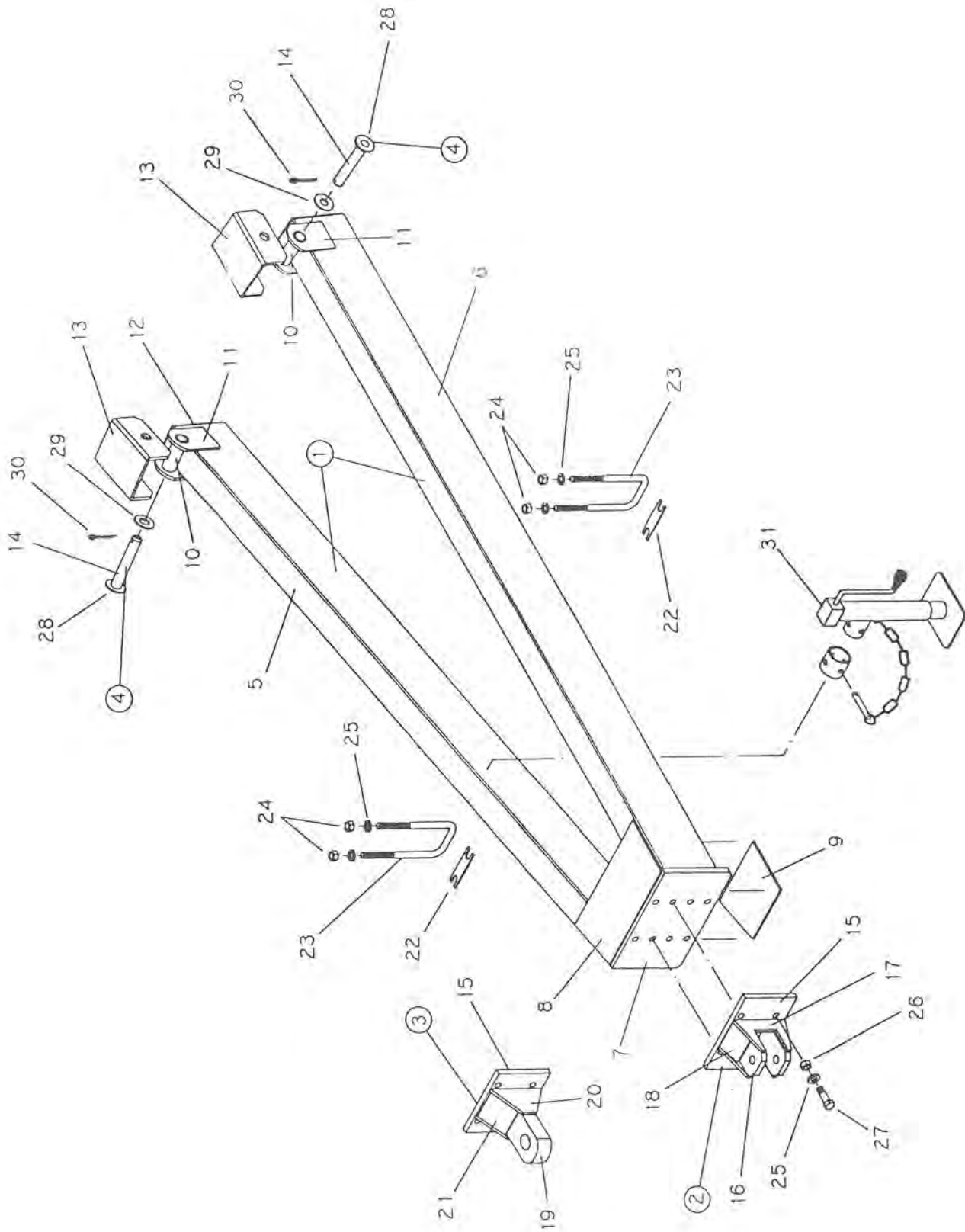
FAN & HOUSING KIT CONTINUED

<u>KEY</u>	<u>PART NUMBER</u>	<u>DESCRIPTION</u>	<u>QTY</u>
20	364-52-00-170	OUTER BRG MOUNT	1
21	364-00-00-090	FLIP GUARD STOP	1
22	364-00-00-029	FLIP GUARD	1
23	364-03-00-022	FAN BACK PLATE	1
24	364-03-00-023	FAN BLADE 540 RPM	4
	364-39-00-130	FAN BLADE 1000 RPM	4
25	364-03-00-024	FAN BLADE GUSSET	4
26	364-03-00-089	FAN SHAFT	1
27	364-54-00-173	SEAL PLATE	1
28	364-01-03-110	DRAIN PIPE	1
29	R09542	PLUG W/ WASHER	1
30	R07823	3/8 FLAT WASHER	1
31	364-00-00-114	HANDLE	1
32	364-01-03-081	FAN HOUSING VERTICAL PIECE	1
33	364-22-00-074	AGITATOR SHAFT	1
34	364-22-00-075	AGITATOR BLADE	3
35	364-00-00-077	BRG HOLDER	1
36	300-00-00-062	BRG PLATE	1
37	364-00-00-085	#50-16 COUPLER SPROCKET	2
38	R20885	#50-2 COUPLER CHAIN	1
39	R07952	5/16 X 2 1/2 ROLL PIN	2
40	R20228	1 1/4 WOOD BRG	1
41	R07881	3/8 SS HEX LOCK NUT	1
42	R20185	1 3/8 FLANGE BRG	2
43	R07794	3/16 X 1 1/4 CARRIAGE BLT GR. 5	4
44	R07778	7/16 X 1 1/2 CARRIAGE BOLT GR. 5	8
45	364-52-00-171	INNER BRG MOUNT	4
46	R07619	3/8 X 1 HEX BOLT	3
47	R07677	7/16 X 1 1/4 HEX BOLT	8
48	R07779	3/8 X 2 SS CARR BOLT	1
49	R07625	3/8 X 4 HEX BOLT	2
50	R07783	3/8 HEX NUT	2
51	R07803	3/8 LOCK WASHER	2
52	R07886	3/8 LOCK NUT	3
53	R07784	7/16 HEX NUT	20
54	R07804	7/16 LOCK WASHER	20
55	364-01-03-156	HOUSING BAND AID	1
56	364-41-00-000	PTO HOLDER ASSEMBLY	1
57	364-41-00-000	PTO HOLDER	1
58	364-41-00-133	PTO HOLDER BRKT	1
59	364-00-00-183	PTO SPACER	1
60	R09785	'DANGER' DECAL	1
61	364-00-00-172	SS SLEEVE	1



DISCHARGE PIPE ASSEMBLY

KEY	PART NUMBER	DESCRIPTION	QTY
1	364-19-00-000	DISCHARGE PIPE ASSEMBLY -12 & 14000L	1
	359-30-00-000	DISCHARGE PIPE ASSEMBLY -15000L	1
	362-20-00-000	DISCHARGE PIPE ASSEMBLY -7 & 9000L	1
2	364-25-00-000	DISCHARGE PIPE END SECTION	1
3	364-21-00-000	SPLASH PLATE ASSEMBLY	1
4	364-19-00-065	HORIZONTAL DISCHARGE PIPE -12 & 14000L	1
	359-30-00-108	HORIZONTAL DISCHARGE PIPE -15000L	1
	362-20-00-068	HORIZONTAL DISCHARGE PIPE -7 & 9000L	1
5	364-19-00-064	VERTICAL DISCHARGE PIPE	1
6	364-19-00-082	DISCHARGE PIPE CORNER PIECE	2
7	364-25-00-088	DISCHARGE PIPE FLANGE PIECE	1
8	364-25-00-067	DISCHARGE PIPE END PIECE	1
9	364-19-00-087	DISCHARGE PIPE FLANGE	2
10	364-21-00-069	SPLASH PLATE	1
11	364-21-00-070	CLAMPING TUBE	1
12	364-21-00-071	CLAMPING TUBE BRKT	2
13	364-00-00-083	DISCHARGE CLAMP UPPER PIECE	2
14	364-50-00-084	DISCHARGE CLAMP BASE PIECE	2
15	364-00-00-066	FLEX HOSE	1
16	R02482	6" CLAMP	2
17	R07622	3/8 X 2 1/2 HEX BOLT	2
18	R07675	3/8 X 1 1/4 HEX BOLT	10
19	R07783	3/8 HEX NUT	12
20	R07803	3/8 LOCK WASHER	12
21	364-50-00-000	DISCHARGE CLAMP BASE ASSY	2
22	364-50-00-165	DISCHARGE CLAMP SPACER	2



TONGUE AND HITCH

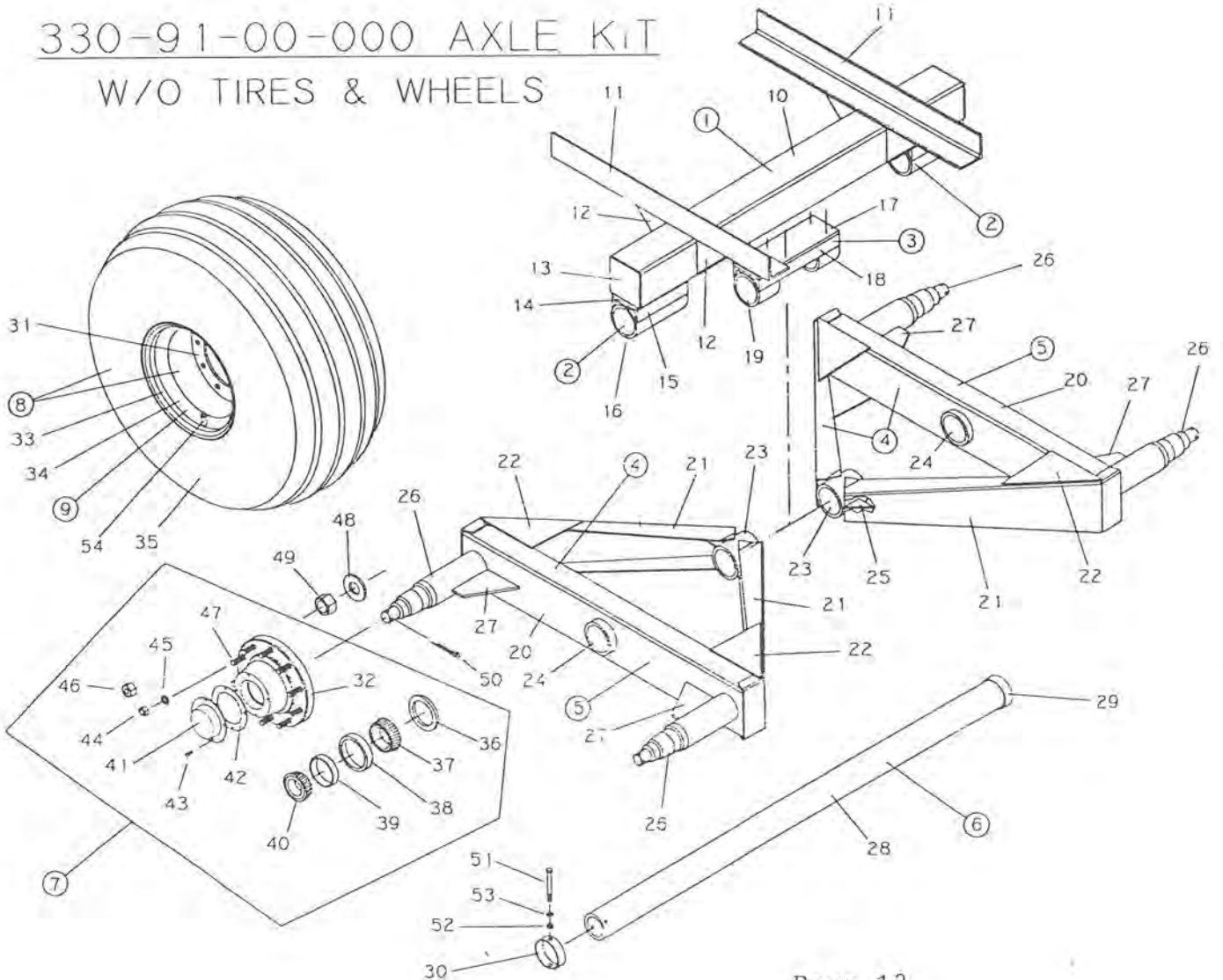
<u>KEY</u>	<u>PART NUMBER</u>	<u>DESCRIPTION</u>	<u>QTY</u>
1	364-35-00-000	TONGUE ASSEMBLY	1
2	364-05-00-000	STD HITCH ASSEMBLY	1
3	364-26-00-000	SINGLE POINT HITCH ASSEMBLY	*
4	315-39-00-000	LOCK PIN ASSEMBLY	2
5	364-35-00-115	R H TONGUE TUBE	1
6	364-35-00-116	L H TONGUE TUBE	1
7	364-35-00-117	HITCH BOLT PLATE	1
8	364-35-00-118	TONGUE TUBE UPPER GUSSET	1
9	364-35-00-119	TONGUE TUBE LOWER GUSSET	1
10	315-36-00-145	BUSHING	2
11	315-36-00-146	SIDE PIECE	4
12	315-36-00-147	TONGUE TUBE END CAP	2
13	315-31-00-115	TONUGE "U" PIECE	2
14	315-39-00-155	LOCK PIN	2
15	364-05-00-030	HITCH BACK PLATE	1
16	364-05-00-031	HITCH PLATE	2
17	364-05-00-032	HITCH SIDE GUSSET	2
18	364-05-00-033	HITCH UPPER GUSSET	2
19	364-26-00-091	SINGLE POINT HITCH	1
20	364-26-00-092	SINGLE POINT HITCH GUSSET	2
21	364-26-00-093	HITCH UPPER & LOWER GUSSET	2
22	364-00-00-131	U BOLT SPACER	2
23	R08172	3/4 NF X 10" U BOLT	2
24	R07820	3/4 NF HEX NUT	4
25	R07807	3/4 LOCK WASHER	8
26	R07787	3/4 HEX NUT	4
27	R07655	3/4 X 2 1/2 HEX BOLT	4
28	R07828	1 FLAT WASHER	2
29	R07830	1 1/4 FLAT WASHER	2
30	R08016	1/4 X 2 COTTER PIN	2
31	R09751	7000 LB SIDE WIND JACK	1

KEY	PART NUMBER	DESCRIPTION	QTY
1	330-69-00-000	BASE FRAME ASSEMBLY	1
2	325-62-18-000	STATIONARY SLEEVE ASSEMBLY	2
3	330-69-22-000	CENTRE SLEEVE ASSEMBLY	1
4	330-91-44-000	TANDEM SIDE ASSEMBLY	2

5	330-91-36-000	WALKING BEAM ASSEMBLY	2
6	330-08-00-000	AXLE TUBE ASSEMBLY	1
7	340-43-00-000	HUSKY 10 BOLT HUB COMPLETE 16000 LB	4
8	340-54-00-000	21.5 X 16.1 14 PLY T&W 10 BOLT	*
	326-02-00-000	21.5 X 16.1 10 PLY T&W 10 BOLT	*
	340-19-00-000	18 X 22.5 USED TRUCK TIRE & WHEEL	4
9	340-45-00-000	WHEEL ASSY FOR 21.5 TIRE	*
10	330-69-00-261	CROSS AXLE SUPPORT	1

11	315-35-00-131	SILL ANGLE PLATE	2
12	315-31-00-116	DOUBLE GUSSET	4
13	325-62-00-238	COVER PLATE	2
14	325-62-18-239	LONG SPACER BAR	2

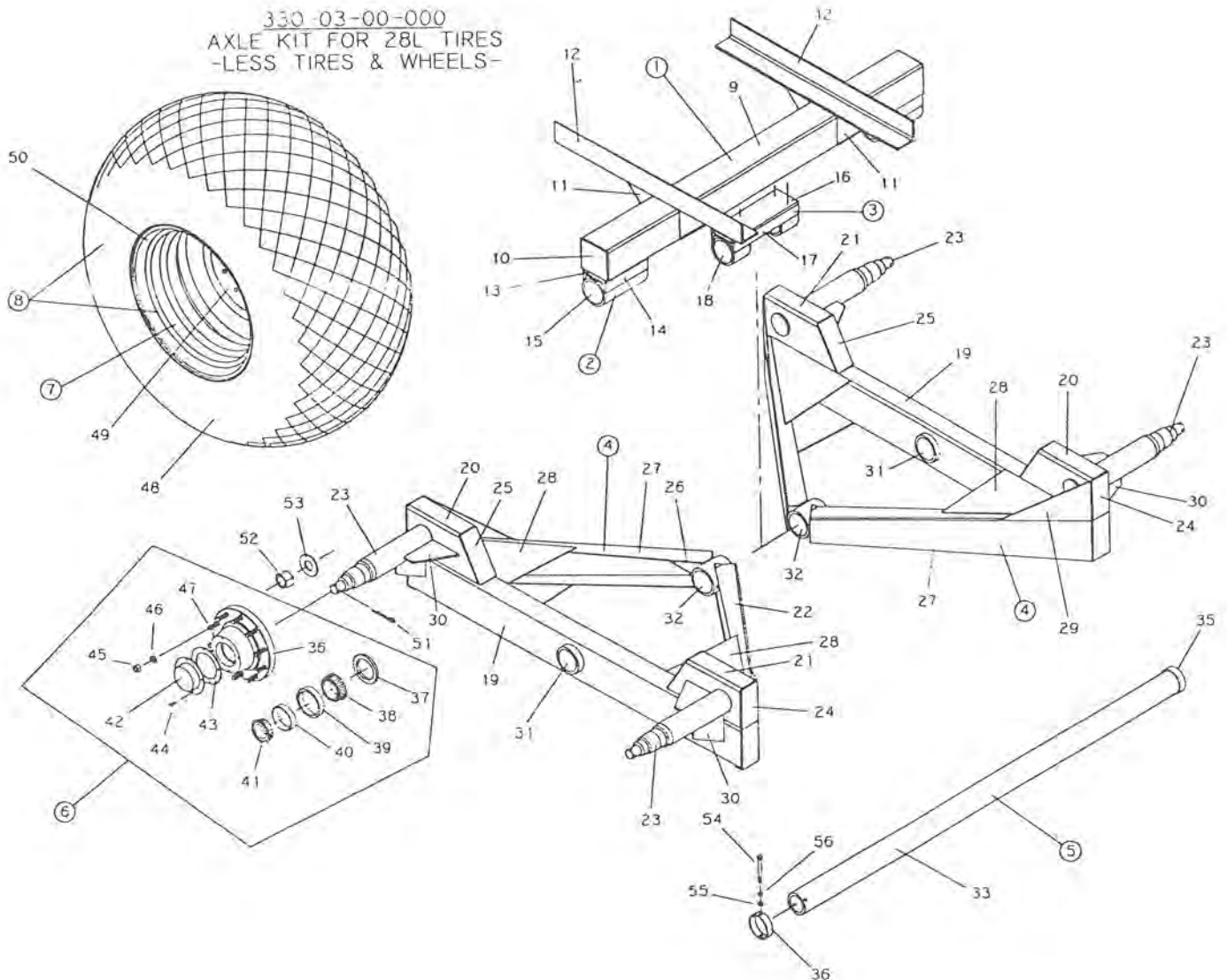
330-91-00-000 AXLE KIT W/O TIRES & WHEELS



AXLE KIT

<u>KEY</u>	<u>PART NUMBER</u>	<u>DESCRIPTION</u>	<u>QTY</u>
15	325-62-18-240	LONG CHANNEL SPACER	2
16	315-35-00-130	STATIONARY SLEEVE	2
17	330-69-22-262	CENTRE BAR SPACER	1
18	330-69-22-263	CENTRE CHANNEL SPACER	1
19	330-69-22-264	CENTRE SLEEVE	2
20	325-63-00-245	WALKING BEAM	2
21	325-63-00-246	TANDEM SIDE ARM	4
22	330-91-44-526	GUSSET	8
23	325-63-00-247	INSIDE ROCKER SLEEVE	2
24	315-33-00-127	OUTER ROCKER SLEEVE	2
25	325-63-00-244	GUSSET	4
26	330-91-36-485	WELDED SPINDLE FOR 10 BOLT HUB	4
27	330-91-36-486	SPINDLE GUSSET	4
28	330-08-00-527	MAIN AXLE TUBE	1
29	330-08-00-528	STOP RING	1
30	315-00-00-137	RETAINING RING	1
31	340-45-00-461	CENTRE DISC	4
32	340-43-00-451	16000 LB HUB W/CUPS	4
33	R20056	RIM FOR 21.5 TIRE	*
34	R20059	10 BOLT WHEEL 13.5 X 22.5 FOR T.T.	4
35	R20014	21.5 X 16.1 14 PLY IMPLEMENT TIRE	*
	R20005	21.5 X 16.1 10 PLY IMPLEMENT TIRE	*
	R20011	18 X 22.5 USED TRUCK TIRE	4
36	R20083	SEAL CR-38730	4
37	R20086	INNER CONE #47687	4
38	R20088	INNER CUP #47620	4
39	R20089	OUTER CUP #39520	4
40	R20087	OUTER CONE #39585	4
41	R20093	DUST CAP	4
42	R20084	DUST CAP GASKET	4
43	R07690	DUST CAP BOLT 5/16 X 5/8	16
44	R07820	3/4-16 UNF FEDALLOY HEX NUT (21.5 WH)	*
45	R07834	3/4 FEDALLOY FLAT WASHER (21.5 WHEEL)	*
46	R20097	3/4 SPH-RAD WHEEL NUT (18 X 22.5 WHL)	40
47	R20096	3/4-16 UNF WHEEL STUD	40
48	R20091	1 13/16 SPINDLE WASHER	4
49	R20092	1 3/4-12 UNF SPINDLE NUT	4
50	R20095	5/16 X 4 COTTER PIN	4
51	R07644	1/2 X 5 HEX BOLT	1
52	R07785	1/2 HEX NUT	1
53	R07805	1/2 LOCK WASHER	1
54	R20020	VALVE STEM FOR 21.5 TIRE	*

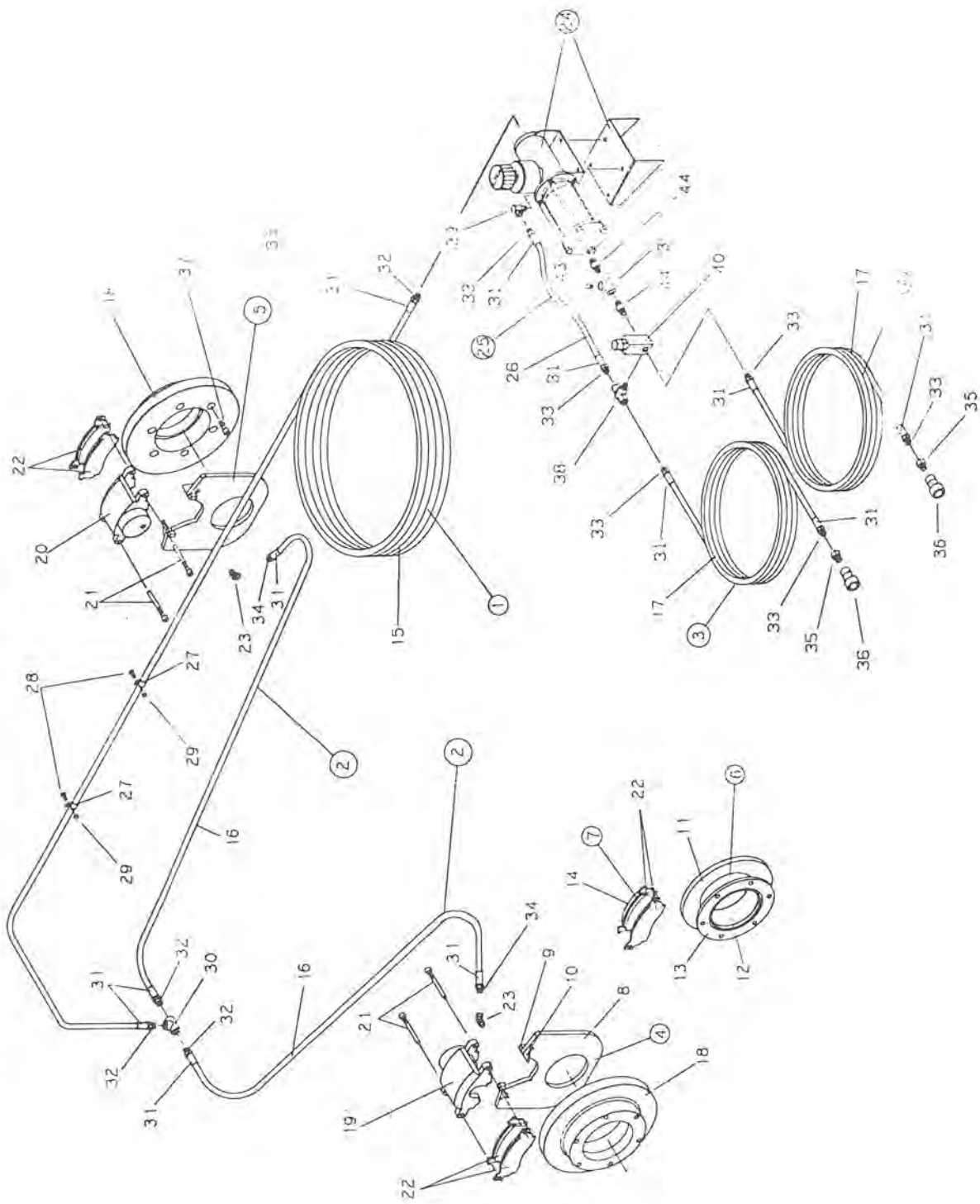
KEY	PART NUMBER	DESCRIPTION	QTY
1	330-03-41-000	BASE FRAME ASSY	1
2	325-62-18-000	STATIONARY SLEEVE ASSY	2
3	330-69-22-000	CENTER SLEEVE ASSY	1
4	330-03-42-000	WALKING BEAM ASSY	2
<hr/>			
5	330-09-00-000	AXLE TUBE ASSY	1
6	340-43-00-000	HUSKY 10-BOLT HUB COMPLETE - 16000 LB	4
7	330-04-43-000	WHEEL ASSY FOR 28L TIRE	4
8	330-04-00-000	28L X 26 TIRE AND WHEEL ASSY	4
<hr/>			
9	330-03-41-504	CROSS AXLE SUPPORT	1
10	325-62-00-238	COVER PLATE	2
11	315-31-00-116	DOUBLE GUSSET	4
12	315-35-00-131	SILL ANGLE PLATE	2



AXLE KIT FOR 28L TIRES

<u>KEY</u>	<u>PART NUMBER</u>	<u>DESCRIPTION</u>	<u>QTY</u>
13	325-62-18-239	SPACER BAR	2
14	325-62-18-240	LONG CHANNEL SPACER	2
15	315-35-00-130	STATIONARY SLEEVE	2
16	330-69-22-262	CENTRE BAR SPACER	1
17	330-69-22-263	CENTRE CHANNEL SPACER	1
18	330-69-22-264	CENTRE SLEEVE	2
19	330-03-42-505	WALKING BEAM	2
20	330-03-42-506	R.H. WALKING BEAM SPINDLE TUBE	2
21	330-03-42-507	L.H. WALKING BEAM SPINDLE TUBE	2
22	330-03-42-508	TANDEM SIDE ARM	2
23	330-03-42-509	SPINDLE	4
24	330-03-42-511	END CAP	4
25	330-03-42-512	ANGLED END CAP	4
26	330-03-42-513	GUSSET	4
27	330-03-42-524	TANDEM SIDE ARM	2
28	330-03-42-525	GUSSET	8
29	330-03-42-516	GUSSET	4
30	330-91-36-486	SPINDLE GUSSET	8
31	315-33-00-127	OUTER ROCKER SLEEVE	2
32	325-63-00-247	INSIDE ROCKER SLEEVE	2
33	330-09-00-529	MAIN AXLE TUBE	1
34	330-08-00-528	STOP RING	1
35	315-00-00-137	RETAINING RING	1
36	340-43-00-451	16000 LB HUB WITH CUPS	4
37	R20083	SEAL CR-38730	4
38	R20086	INNER CONE 47687	4
39	R20088	INNER CUP 47620	4
40	R20089	OUTER CONE 39520	4
41	R20087	OUTER CUP 39585	4
42	R20093	DUST CAP	4
43	R20084	DUST CAP GASKET	4
44	R07690	DUST CAP BOLT 5/16 X 5/8	16
45	R07820	3/4-16 UNF FEDALLOY HEX NUT	40
46	R07834	3/4 FEDALLOY FLAT WASHER	40
47	R20096	3/4-16 UNF WHEEL STUD	40
48	R20015	28L X 26 TIRE AND TUBE	4
49	R20052	CENTER DISC FOR 28L X 26 WHEEL	4
50	R20053	RIM FOR 28L X 26 TIRE	4
51	R20095	5/16 X 4 COTTER PIN	4
52	R20092	1-3/4-12 UNF SPINDLE NUT	4
53	R20091	1-13/16 SPINDLE WASHER	4
54	R07644	1/2 X 5 HEX BOLT	1
55	R07785	1/2 HEX NUT	1
56	R07805	1/2 LOCK WASHER	1

DISC BRAKES FOR
12, 14 & 15000 L TANKS



311-00-00-000
312-00-00-000

BRAKE KIT FOR 21.5L X 16.1 TIRES
BRAKE KIT FOR 18 X 22.5 AND 28L X 26 TIRES

<u>KEY</u>	<u>PART NUMBER</u>	<u>DESCRIPTION</u>	<u>QTY</u>
1	340-17-38-000	MAIN BRAKE LINE ASSY	1
2	312-04-00-000	HYD. BRAKE HOSE ASSY	2
3	340-17-39-000	HYD. HOSE - MASTER CYL. TO TRACTOR	2
4	312-02-00-000	R.H. CALIPER MOUNTING PLATE ASSY	1
5	312-03-00-000	L.H. CALIPER MOUNTING PLATE ASSY	1
6	311-16-00-000	BRAKE DISC ASSY	2 *
7	310-15-00-000	PAD & SPACER ASSY	2 *
8	312-02-00-027	CALIPER MOUNTING PLATE	2
9	340-08-10-333	CALIPER PLATE STOP	4
10	340-08-10-334	CALIPER PLATE SUPPORT	4
11	311-16-00-024	BRAKE DISC	2 *
12	311-16-00-025	DISC SPACER	2 *
13	340-10-00-350	DISC HOLD DOWN PLATE	2 *
14	340-15-00-023	PAD SPACER	2 *
15	340-77-38-544	MAIN HYD. BRAKE HOSE	1
16	312-04-00-028	HYD. HOSE	2
17	340-17-39-545	HYD. HOSE - MASTER CYL. TO TRACTOR	2
18	R20098	CAST BRAKE DISC	2
19	R21065	R.H. DISC BRAKE CALIPER ASSY TC500	1
20	R21066	L.H. DISC BRAKE CALIPER ASSY TC501	1
21	R21070	GUIDE PINS	4
22	R21067	BRAKE PADS (PAIR)	2
23	R21308	45' X 7/16 SAE X 1/4 NPT ADAPTOR	2
24	312-06-00-000	MASTER CYLINDER KIT	1
25	312-06-05-000	HYD. HOSE ASSY	1
26	312-06-05-048	HYD. HOSE	1
27	R21104	HYD. HOSE CLIPS	8
28	R07698	1/4 X 1/2 HEX HEAD BOLT	8
29	R07781	1/4 HEX HEAD NUT	8
30	R02162	3/8 PIPE TEE	2
31	R21231	STEEL FERRULE - 1/4" HOSE	10
32	R20806	3/8-18 NPT SWIVEL MALE STEM	4
33	R20803	3/8-18 NPT SOLID MALE STEM	6
34	R20807	1/4-18 NPT SOLID MALE STEM	2
35	R02043	1/2 X 3/8 BUSHING	2
36	R21342	PIONEER COUPLER	2
37	R07871	1/2-20 X 3 NF SOCKET HEAD CAP SCREW	12
38	R21391	3/8 NPT SWIVEL TEE ADAPTOR	1
39	R21334	1/4M X 3/8FM X 90 DEG SWIVEL ADAPTOR	1
40	R21201	RELIEF VALVE	1
41	R02122	3/8 NIPPLE	1
42	R20812	3/8-18 NPT STRAIGHT SWIVEL ADAPTOR	1
43	R02151	3/8 PIPE PLUG	1
44	R21397	3/8 HYD. NIPPLE	2

NOTE: * FOR 21.5L X 16.1 TIRES ONLY
FOR 18 X 22.5 AND 28L X 26 TIRES ONLY

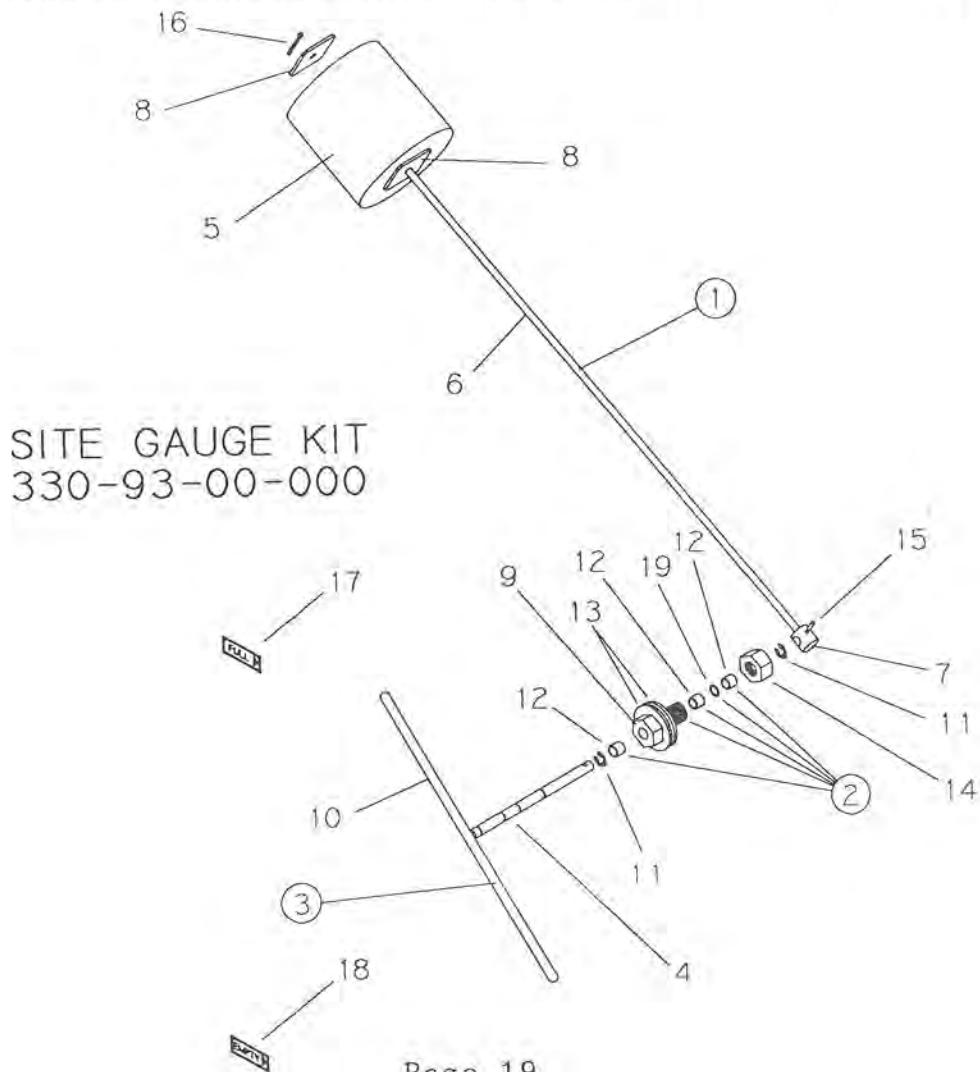
KEY	PART NUMBER	DESCRIPTION	QTY
1	330-93-30-000	FLOAT ARM ASSY	1
2	330-93-31-000	BRONZE BRG HOLDER ASSY	1
3	330-93-32-000	INDICATOR ARM ASSY	1
4	330-93-32-374	CONNECTOR SHAFT	1

5	330-93-00-375	FLOAT	1
6	330-93-30-376	FLOAT ARM	1
7	330-93-30-377	BOSS	1
8	330-93-30-378	FLOAT STRAPS	2

9	330-93-31-379	BRONZE BEARING HOLDER	1
10	330-93-32-424	INDICATOR ARM	1
11	R07974	EXTERNAL RETAINING RING	2
12	R21173	1/2 X 5/8 X 1/2 BRONZE BUSHING	3

13	R07828	1" FLAT WASHER	2
14	R07788	1" HEX NUT	1
15	R07950	3/16 X 1-1/4 ROLL PIN	1
16	R08021	1/8 X 1 S.S. COTTER PIN	1

17	R09529	"FULL" STICKER	1
18	R09530	"EMPTY" STICKER	1
19	R20865	1/2 X 5/8 X 1/16 O-RING	1



SERIES CV PTO

KEY	PART NUMBER	DESCRIPTION	QTY
1	R22002	END YOKE - 540 RPM 1 3/8 6T SPLINE	1
	R22003	END YOKE -1000 RPM 1 3/8 21T SPLINE	*
2	R22004	CROSS & BRG KIT	2
3	R22005	DOUBLE YOKE	1

4	R22021	GREASE ZERK	1
5	R22006	INBOARD YOKE	1
6	R22007	SPRING PIN -10MM X 65MM LONG	2
7	R22008	INNER PROFILE -OVAL - 660 MM LONG	1

8	R22025	SCREW	8
9	R22009	CV CONE & BEARING ASSY	1
10	R22010	SHIELD CONE - 2 RIB	1
11	R22011	BEARING RING - SC 15	2

12	R22022	OUTER DECAL	1
13	R22012	OUTER SHIELD TUBE OVAL - 605 MM LONG	1
14	R22013	INNER SHIELD TUBE ROUND- 600 MM LONG	1
15	R22024	SAFETY CHAIN	1

16	R22014	SHIELD CONE - 4 RIB	1
17	R22015	OUTER PROFILE - 660 MM	1
18	R22016	INBOARD YOKE	1
19	R22023	INNER DECAL	1

20	R22017	CROSS & BEARING KIT	1
21	R22018	SHEAR BOLT CLUTCH - 1 3/8 6T SPLINE	1
22	R22019	COLLAR KIT	1
23	R22020	Q.D. PIN KIT	1

540 RPM PTO - R22000
 1000 RPM PTO - R22001

