

DATE PURCHASED _____ MACHINE SERIAL NO. _____

*Office copy
Aug 19/93
10 made*

OPTIONS _____

Oct 1/93 5 made

Feb 94 5 "

7 Mar 94 5 "

Mar 94 5 "

Mar 30/5 "

Apr 11/10 "

Apr 26/5 "

Sept 13/5 "

PLEASE NOTE:

The key number system in this parts book is arranged as follows:

- 0 --Key number with one circle denotes main assemblies
- Key numbers not circled are individual parts

Please order parts by number

MODEL "E"
12000, 14000 & 15000 LITRE
HUSKY LIQUID MANURE SPREADER

OPERATING REQUIREMENTS FOR TANKER MANURE SPREADERS:

1. Heed all warnings.
2. Minimum HP requirements to safely operate on level terrain, on hilly terrain HP should be increased.

4500L	70 HP
7000L	85 HP
9000L	95 HP
12000L	110 HP
14000L	130 HP
15000L	140 HP
18000L	160 HP
23000L	200 HP

3. If machine is equipped with hydraulic brakes that are operated from the tractor hydraulics, they will not work should the tractor motor stop.

Inspect brakes before each use. Brakes must be bled before initial use unless installed at factory.

When releasing brakes the tractor hydraulic lever must be put in the opposing position to release pressure. Do not put in float position they will not release.

OPERATING REQUIREMENTS (CONT'D):

4. Tractor PTO spline must be approximately 14" (355 mm) from end of compressed PTO for proper adjustment.
5. Hitch tanker to tractor with minimum of 1" (25 mm) hardened hitch pin with a safety lock. Use 10,000 Lbs safety chain from spreader to tractor.
6. Do not use tongue jack stand to support loaded spreader. Put jack in storage position before using.
7. When hooking PTO to tractor make sure motor is stopped. Make sure QD (Quick Disconnect) safety locking pin is in locked position before using.
8. Clean off hose ends before plugging into tractor hydraulics. If spreader is equipped with hydraulic drive on spreading attachment, make sure tractor has sufficient oil flow and pressure to maintain satisfactory spread pattern; if not use another tractor.
9. After using spreader in freezing condition make sure impeller housing is drained.
10. Wash tank inside and out each time work is finished. This will increase life of tank by many years. See item 6 of Safety instructions.
11. Do not drive on public roads after dusk unless equipped with lights required by Department of Transportation in your area.
12. Remove wheels annually and grease wheel bearings.
13. Because manure smells, many farmers have made unfriendly neighbours. If in a residential area a manure injector is a recommended option to bury the smell.
14. Much of the fertilizer value of manure is lost when exposed to air. Getting the manure covered quickly is a very important part of spreading manure.
15. If rustproof coating on interior shows signs of deterioration, have interior repainted. This can be done with a roller or brush. This helps to increase the life of your spreader. It is a valuable maintenance procedure.

SAFETY INSTRUCTIONS:

Do not operate this machine until you fully understand the safe operating practices.

1. Make sure all moving parts are shielded to prevent coming in contact with loose clothing.
2. Keep children clear, do not let children or anyone ride on the spreader at anytime.
3. Do not support loaded spreader on tongue jack.
4. Keep tire pressure to recommended pressure at all times. Recommended tire pressure being:

		<u>Lbs</u>	<u>KPA</u>
40 x 14	Airplane Tires	55	379
44 x 16		55	379
47 x 18 x 18		55	379
50 x 20 x 20		55	379
16.5L x 16.1	Implement Tires	35	241
21.5L x 16.1		35	241
18.4L x 26	Turf Tires	26	180
28 L x 26		24	166
23.5L x 25	Loader Dozer Tires	55	379
18L x 22.5	Truck Tires	65	448

1 Lb = 6.8947 KPA

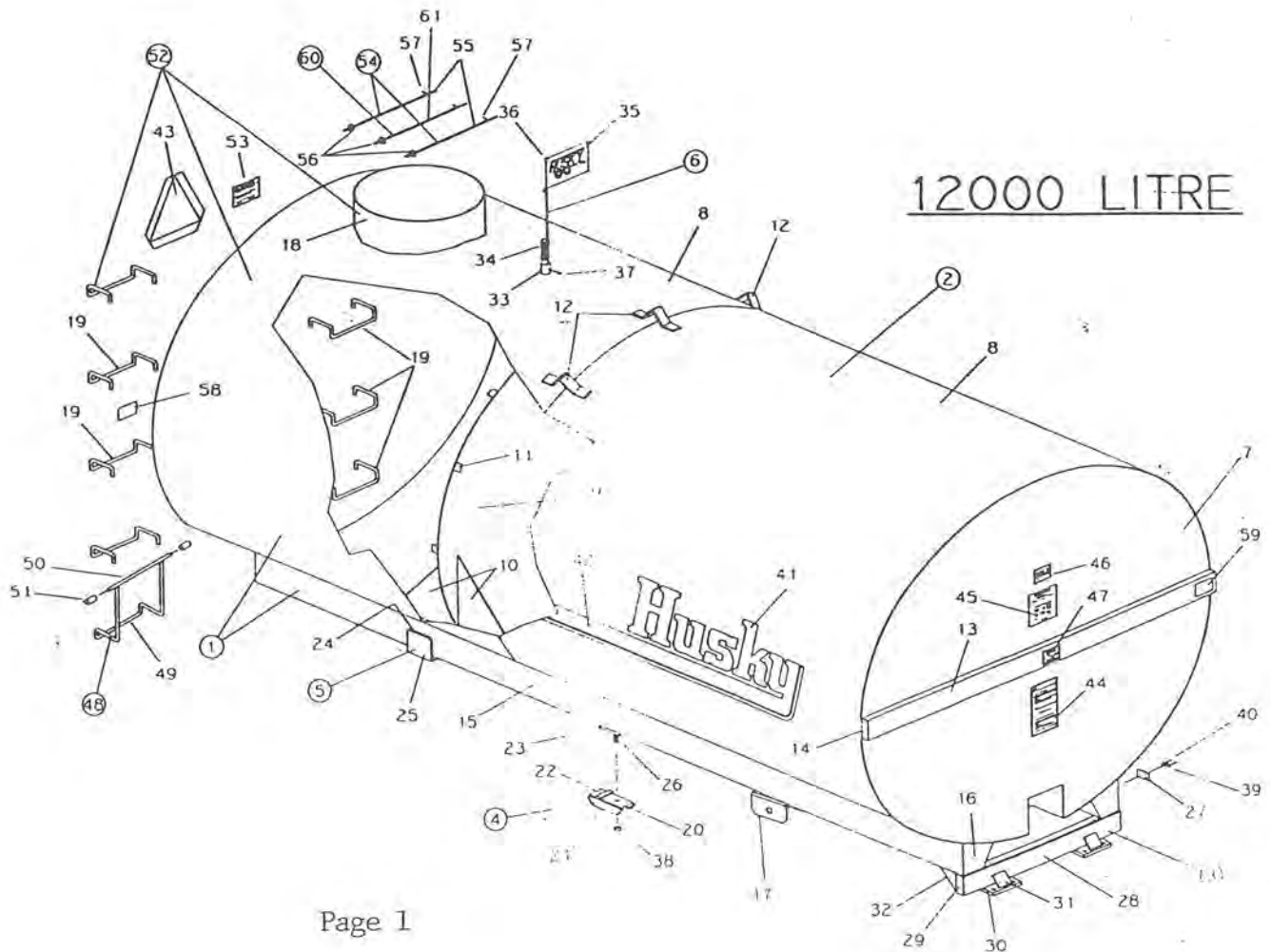
5. Keep wheel bolts torqued to recommended torque at all times. Recommended torque being:

Wheel Bolt Size	Torque <u>Dry</u>	Ft./lbs. <u>Oiled</u>	Torque <u>Dry</u>	Meter/kg <u>Oiled</u>
9/16 - 18 NF	190	145	26.28	20.06
5/8 - 18 NF	270	205	37.34	28.35
3/4 - 16 NF	470	360	65.01	49.79

(CHECK DAILY)

6. Never enter a tanker without special breathing equipment to supply oxygen. Manure gases can kill instantly. One breath of Hydrogen Sulfide can kill.
7. When hooking up or repairing hydraulic hoses always wear safety glasses and relieve pressure to avoid getting oil in eyes.
8. Caution - disc brakes will not release unless valve lever is held momentarily in opposite position. This will relieve pressure in brake line. Do not put in float position, they will not release.

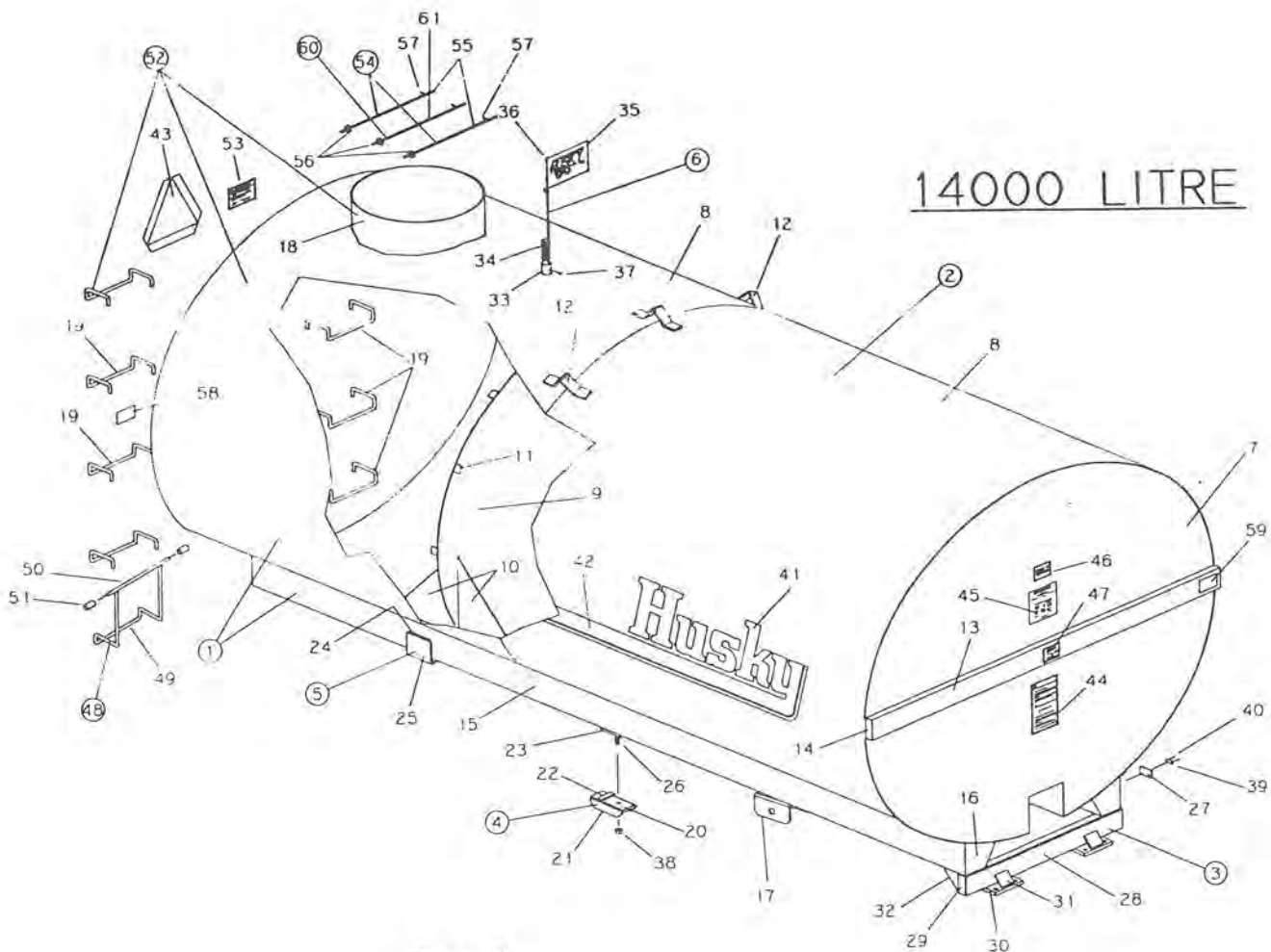
KEY	PART NUMBER	DESCRIPTION	QTY
1	326-88-00-000	12000 L TANK & SILL ASSY	1
2	326-88-25-000	12000 L TANK ASSY	1
3	364-02-17-000	CROSS MEMBER ASSY	1
4	340-41-00-000	CLAMPING BRKT ASSY	2
5	340-01-20-000	AXLE REAR STOP ASSY	2
6	340-62-00-000	HUSKY FLAG KIT	1
7	326-88-25-277	12000L TANK END	2
8	326-88-25-278	12000L TANK SHELL	2
9	326-88-25-279	12000L BAFFLE	1
10	340-01-01-459	BAFFLE GUSSET	4
11	300-01-00-016	BAFFLE BRKT	8
12	300-01-00-012	LIFT HOOK	3
13	326-88-00-280	TANK STIFFENER	2
14	330-66-00-258	STIFFENER CAPS	4
15	326-89-00-283	12000L SILL	2
16	326-89-00-284	SILL CAP	4
17	315-31-00-115	TONGUE U PIECE	2
18	364-02-00-006	MANHOLE	1
19	364-02-00-008	LADDER RUNG	7
20	340-41-00-442	CLAMPING BRKT	2



12000L TANK COMPLETE

<u>KEY</u>	<u>PART NUMBER</u>	<u>DESCRIPTION</u>	<u>QTY</u>
21	340-41-00-443	CLAMPING BRKT GUSSET	4
22	340-41-00-444	FILLER BAR	2
23	340-01-00-445	FRONT SPACER	2
24	340-01-20-446	AXLE REAR INNER STOP	2
25	340-01-20-447	AXLE REAR OUTER SUPPORT	2
26	340-00-00-448	SCRAPER BLADE BOLT	2
27	340-01-00-498	SERIAL NUMBER PLATE	1
28	364-02-17-120	CROSS MEMBER	1
29	364-02-17-121	END CAP	2
30	364-02-17-122	TONGUE STRAP	2
31	364-02-17-123	TONGUE STRAP GUSSET	2
32	364-02-17-128	CROSS MEMBER GUSSET	2
33	340-00-00-536	FLAG SPRING HOLDER	1
34	R08037	FLAG SPRING	1
35	R09735	HUSKY FLAG	1
36	R21371	PLASTIC TIP	1
37	R07926	5/16-18 X 1/4 SS SET SCREW	1
38	R07878	3/4" NYLON INSERT NUT	2
39	R09071	SERIAL NUMBER	1
40	R08162	TYPE "U" DRIVE SCREW 4 X 1/4	2
41	R09510	HUSKY DECAL	2
42	R09511	ACCENT STRIP	2
43	R09501	SLOW MOVING-VEHICLE SIGN	1
44	R09783	'CAUTION' DECAL	1
45	R09730	TIRE PRESSURE STICKER	1
46	R09509	MADE IN CANADA STICKER	1
47	R09512	CAPACITY STICKER	1
48	364-02-19-000	LADDER BOTTOM RUNG ASSY	1
49	364-02-19-151	LADDER BOTTOM RUNG	1
50	364-02-19-152	LADDER TOP PIECE	1
51	364-02-00-153	LADDER BRACKET	2
52	363-09-00-000	12000L TANK,SILL,FUNNEL,LADDER ASY.	1
53	R09784	'DANGER-TOXIC GAS' DECAL	1
54	364-47-00-000	MANHOLE SAFETY BAR ASSY	2
55	364-47-00-155	MANHOLE SAFETY BAR	2
56	R07825	1/2" FLAT WASHER	3
57	R08020	3/16 X 1-1/4 S.S. COTTER PIN	3
58	R10096	RED REFLECTOR	2
59	R10097	AMBER REFLECTOR	1
60	364-49-00-000	LONG MANHOLE SAFETY BAR ASSY	1
61	364-49-00-164	LONG SAFETY BAR	1

KEY	PART NUMBER	DESCRIPTION	QTY
1	330-66-00-000	14000L TANK & SILL ASSY	1
2	330-66-21-000	14000L TANK ASSY	1
3	364-02-17-000	CROSS MEMBER ASSY	1
4	340-41-00-000	CLAMPING BRKT ASSY	2
5	340-01-20-000	AXLE REAR STOP ASSY	2
6	340-62-00-000	HUSKY FLAG KTI	1
7	330-66-21-254	14000L TANK END	2
8	330-66-21-255	14000L TANK SHELL	2
9	330-66-21-256	14000L BAFFLE	1
10	340-01-01-459	BAFFLE GUSSET	4
11	300-01-00-016	BAFFLE BRKT	8
12	300-01-00-012	LIFT HOOK	3
13	330-66-00-257	TANK STIFFENER	2
14	330-66-00-258	STIFFENER CAPS	4
15	330-67-00-259	14000L SILL	2
16	330-67-00-260	SILL CAP	4
17	315-31-00-115	TONGUE U PIECE	2
18	364-02-00-006	MANHOLE	1
19	364-02-00-008	LADDER RUNG	7
20	340-41-00-442	CLAMPING BRKT	2



14000L TANK COMPLETE

KEY	PART NUMBER	DESCRIPTION	QTY
21	340-41-00-443	CLAMPING BRKT GUSSET	4
22	340-41-00-444	FILLER BAR	2
23	340-01-00-445	FRONT SPACER	2
24	340-01-20-446	AXLE REAR INNER STOP	2
25	340-01-20-447	AXLE REAR OUTER SUPPORT	2
26	340-00-00-448	SCRAPER BLADE BOLT	2
27	340-01-00-498	SERIAL NUMBER PLATE	1
28	364-02-17-120	CROSS MEMBER	1
29	364-02-17-121	END CAP	2
30	364-02-17-122	TONGUE STRAP	2
31	364-02-17-123	TONGUE STRAP GUSSET	2
32	364-02-17-128	CROSS MEMBER GUSSET	2
33	340-00-00-536	FLAG SPRING HOLDER	1
34	R08037	FLAG SPRING	1
35	R09735	HUSKY FLAG	1
36	R21371	PLASTIC TIP	1
37	R07926	5/16 - 18 X 1/4 SS SET SCREW	1
38	R07878	3/4 NYLON INSERT NUT	2
39	R09071	SERIAL NUMBER	1
40	R08162	TYPE "U" DRIVE SCREW #4 X 1/4	2
41	R09510	HUSKY DECAL	2
42	R09511	ACCENT STRIP	2
43	R09501	SLOW MOVING-VEHICLE SIGN	1
44	R09783	'CAUTION' DECAL	1
45	R09730	TIRE PRESSURE STICKER	1
46	R09509	MADE IN CANADA STICKER	1
47	R09512	CAPACITY STICKER	1
48	364-02-19-000	LADDER BOTTOM RUNG ASSY	1
49	364-02-19-151	LADDER BOTTOM RUNG	1
50	364-02-19-152	LADDER TOP PIECE	1
51	364-02-00-153	LADDER BRACKET	2
52	364-02-00-000	TANK, SILL, FUNNEL, LADDER COMPL.	1
53	R09784	'DANGER-TOXIC GAS' DECAL	1
54	364-47-00-000	MANHOLE SAFETY BAR ASSY	2
55	364-47-00-155	MANHOLE SAFETY BAR	2
56	R07825	1/2" FLAT WASHER	3
57	R08020	3/16 X 1-1/4 S.S. COTTER PIN	3
58	R10096	RED REFLECTOR	2
59	R10097	AMBER REFLECTOR	1
60	364-49-00-000	LONG MANHOLE SAFETY BAR ASSY	1
61	364-49-00-164	LONG SAFETY BAR	1

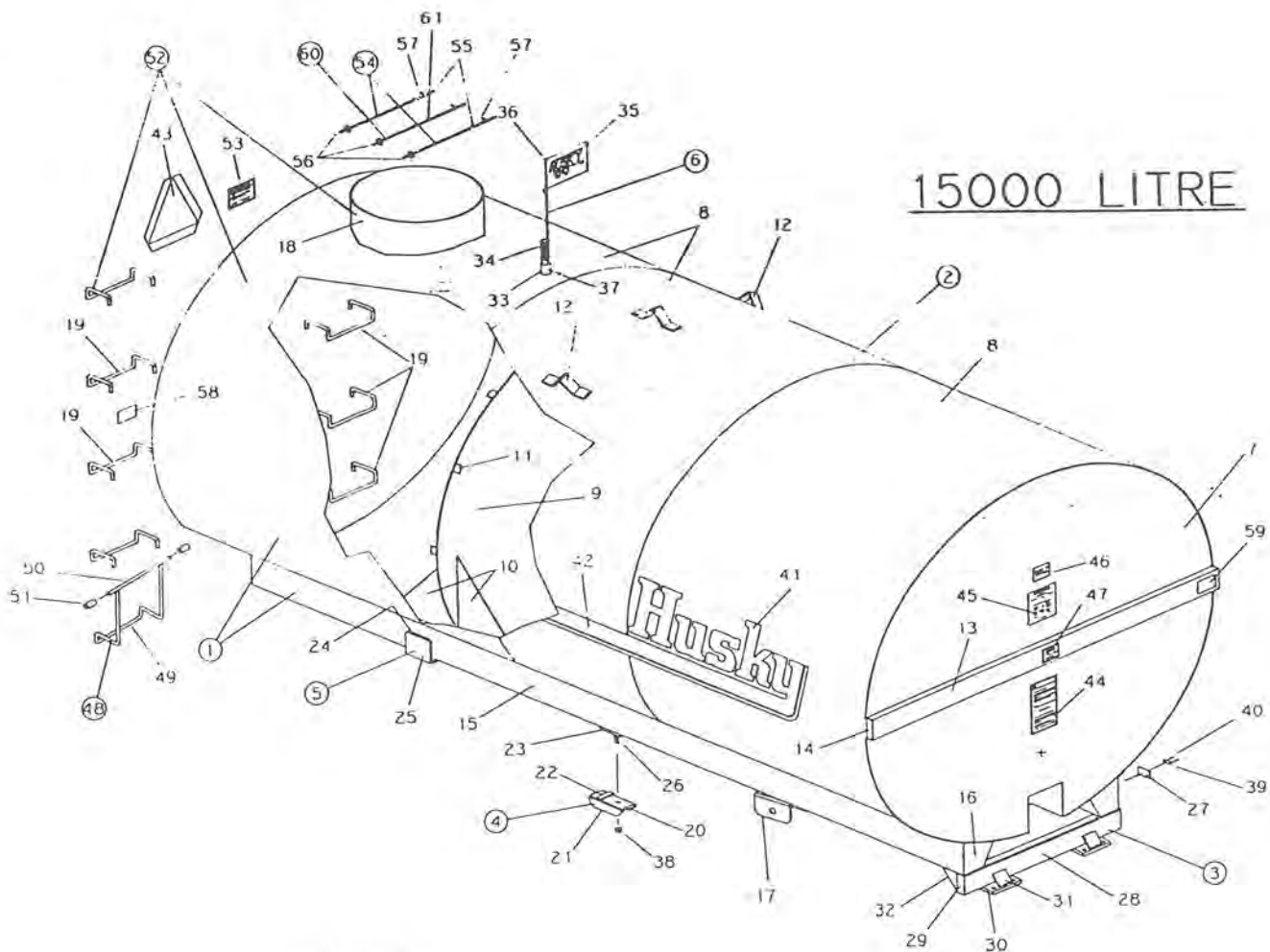
KEY	PART NUMBER	DESCRIPTION	QTY
1	335-01-03-000	15000L TANK & SILL ASSY	1
2	335-01-01-000	15000L TANK ASSY	1
3	364-02-17-000	CROSS MEMBER ASSY	1
4	340-41-00-000	CLAMPING BRKT ASSY	2

5	340-01-20-000	AXLE REAR STOP ASSY	2
6	340-62-00-000	HUSKY FLAG KTI	1
7	330-66-21-254	15000L TANK END	2
8	335-01-01-002	15000L TANK SHELL	3

9	330-66-21-256	15000L BAFFLE	1
10	340-01-01-459	BAFFLE GUSSET	4
11	300-01-00-016	BAFFLE BRKT	8
12	300-01-00-012	LIFT HOOK	3

13	330-66-00-257	TANK STIFFENER	2
14	330-66-00-258	STIFFENER CAPS	4
15	335-01-00-001	15000L SILL	2
16	330-67-00-260	SILL CAP	4

17	315-31-00-115	TONGUE U PIECE	2
18	364-02-00-006	MANHOLE	1
19	364-02-00-008	LADDER RUNG	7
20	340-41-00-442	CLAMPING BRKT	2

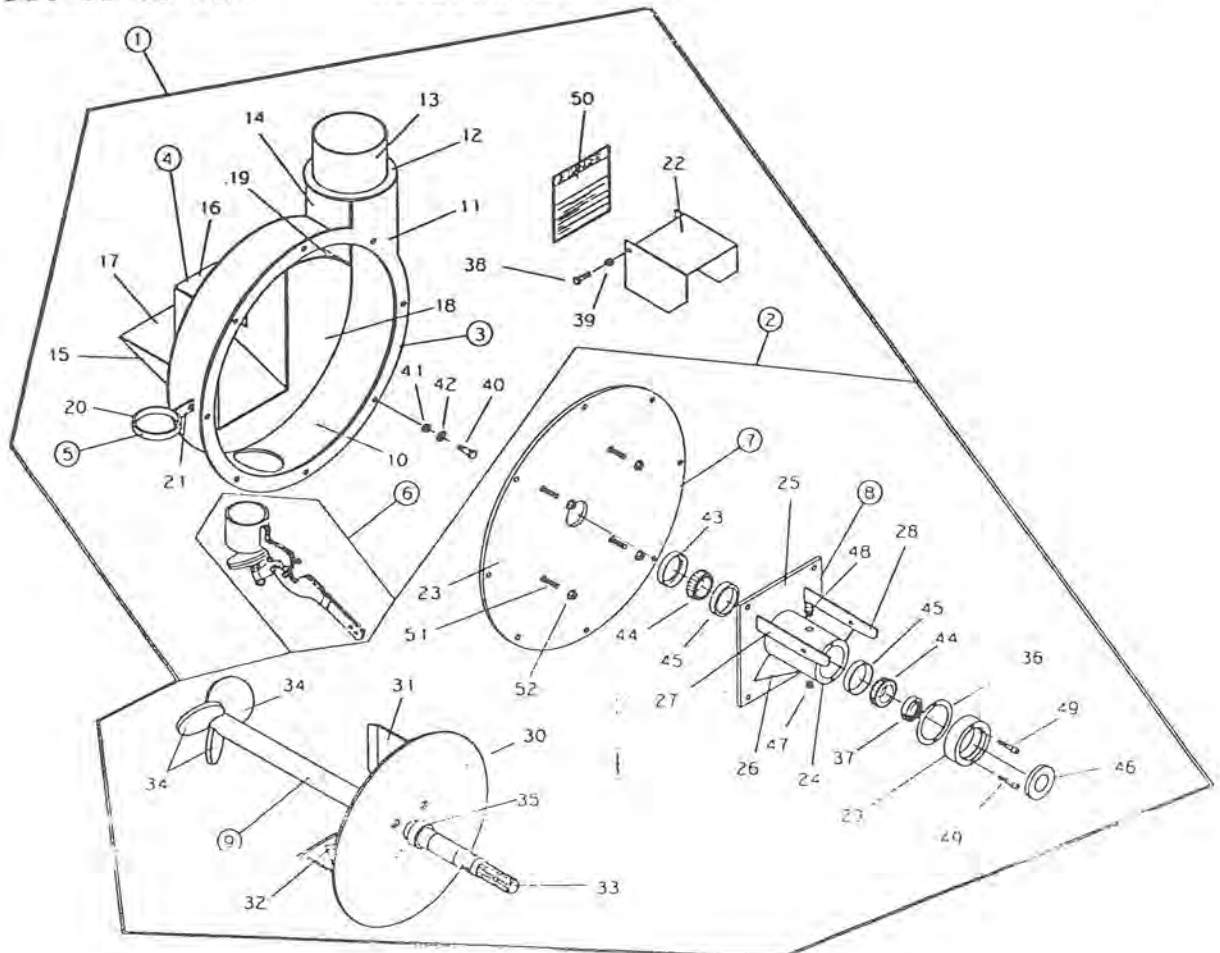


15000L TANK COMPLETE

KEY	PART NUMBER	DESCRIPTION	QTY
21	340-41-00-443	CLAMPING BRKT GUSSET	4
22	340-41-00-444	FILLER BAR	2
23	340-01-00-445	FRONT SPACER	2
24	340-01-20-446	AXLE REAR INNER STOP	2
25	340-01-20-447	AXLE REAR OUTER SUPPORT	2
26	340-00-00-448	SCRAPER BLADE BOLT	2
27	340-01-00-498	SERIAL NUMBER PLATE	1
28	364-02-17-120	CROSS MEMBER	1
29	364-02-17-121	END CAP	2
30	364-02-17-122	TONGUE STRAP	2
31	364-02-17-128	TONGUE STRAP GUSSET	2
32	364-02-17-124	CROSS MEMBER GUSSET	2
33	340-00-00-536	FLAG SPRING HOLDER	1
34	R08037	FLAG SPRING	1
35	R09735	HUSKY FLAG	1
36	R21371	PLASTIC TIP	1
37	R07926	5/16 - 18 X 1/4 SS SET SCREW	1
38	R07878	3/4 NYLON INSERT NUT	2
39	R09071	SERIAL NUMBER	1
40	R08162	TYPE "U" DRIVE SCREW #4 X 1/4	2
41	R09510	HUSKY DECAL	2
42	R09511	ACCENT STRIP	2
43	R09501	SLOW MOVING VEHICLE SIGN	1
44	R09783	'CAUTION' DECAL	1
45	R09730	TIRE PRESSURE STICKER	1
46	R09509	MADE IN CANADA STICKER	1
47	R09512	CAPACITY STICKER	1
48	364-02-19-000	LADDER BOTTOM RUNG ASSY	1
49	364-02-19-151	LADDER BOTTOM RUNG	1
50	364-02-19-152	LADDER TOP PIECE	1
51	364-02-00-153	LADDER BRACKET	2
52	359-29-00-000	TANK,SILL,FUNNEL, LADDER COMPL.	1
53	R09784	'DANGER-TOXIC GAS' DECAL	1
54	364-47-00-000	MANHOLE SAFETY BAR ASSY	2
55	364-47-00-155	MANHOLE SAFETY BAR	2
56	R07825	1/2" FLAT WASHER	3
57	R08020	3/16 X 1-1/4 S.S. COTTER PIN	3
58	R10096	RED REFLECTOR	2
59	R10097	AMBER REFLECTOR	1
60	364-49-00-000	LONG MANHOLE SAFETY BAR ASSY	1
61	364-49-00-164	LONG SAFETY BAR	1

FAN & HOUSING KIT

KEY	PART NUMBER	DESCRIPTION	QTY
1	364-23-00-000	MODEL E FAN & HOUSING KIT 540 RPM	1
	364-56-00-000	MODEL E FAN & HOUSING KIT 1000 RPM	*
2	364-65-00-000	540 FAN, COVER PLATE & BRG KIT	1
	364-66-00-000	1000 FAN, COVER PLATE & BRG KIT	*
<hr/>			
3	364-01-03-000	FAN HOUSING ASSEMBLY	1
4	364-01-15-000	HOUSING BACK PLATE ASSY	1
5	364-41-00-000	PTO HOLDER ASSEMBLY	1
6	364-62-00-000	DRAIN PLUG KIT	1
<hr/>			
7	364-67-00-000	COVER PLATE ASSY	1
8	364-61-00-000	BEARING HOLDER ASSY	1
9	364-72-00-000	FAN, SHAFT & AGITATOR ASSY -540	1
	364-73-00-000	FAN, SHAFT & AGITATOR ASSY -1000	*
<hr/>			
10	364-01-03-018	HOUSING BAND	1
11	364-01-03-019	HOUSING FLANGE	1
12	364-01-03-062	DISCHARGE RING	1
13	364-01-03-063	DISCHARGE TUBE	1
<hr/>			
14	364-01-03-081	FAN HOUSING VERTICAL PC	1
15	364-01-03-103	OUTLET SIDE PC	2
16	364-01-03-104	OUTLET TOP PC	1
17	364-01-03-105	OUTLET BOTTOM PC	1
<hr/>			
18	364-01-03-106	HOUSING BACK PLATE	1
19	364-01-03-156	HOUSING BAND AID	1



FAN & HOUSING KIT CONTINUED

KEY	PART NUMBER	DESCRIPTION	QTY
20	364-41-00-132	PTO HOLDER	1
21	364-41-00-133	PTO HOLDER BRKT	1
22	364-00-00-029	FLIP GUARD	1
23	364-67-00-211	COVER PLATE	1
24	364-61-00-191	BRG TUBE	1
25	364-61-00-192	SEAL TUBE BACK PLATE	1
26	364-61-00-193	SEAL TUBE GUSSET	2
27	364-61-00-197	RH FLIP GUARD BRKT	1
28	364-61-00-198	LH FLIP GUARD BRKT	1
29	364-00-00-196	SEAL TUBE CAP	1
30	364-63-00-209	IMPELLER BACK PLATE	1
31	364-63-00-208	540 RPM FAN BLADE	4
32	364-64-00-210	1000RPM FAN BLADE	*
33	364-03-00-024	GUSSET	4
34	364-72-00-226	FAN SHAFT	1
35	364-63-00-195	HARDENED SLEEVE	1
36	364-00-00-225	CAP GASKET	1
37	364-00-00-212	STAKE NUT	1
38	R07619	3/8 X 1 HEX BOLT	2
39	R07886	3/8 LOCK NUT	2
40	R07671	7/16 X 1 1/4 HEX BOLT	8
41	R07784	7/16 HEX NUT	8
42	R07804	7/16 LOCK WASHER	8
43	R21184	SEAL	1
44	R20115	CONE	2
45	R20113	CUP	2
46	R21185	SEAL	1
47	R02689	PIPE PLUG	1
48	R20685	VENT PLUG	1
49	R08175	5/16-18 UNC X 1 3/4 CAP SCREW	2
50	R09785	'DANGER' DECAL	1
51	R07774	7/16 X 1 1/4 CARRIAGE BOLT GR5.	4
52	R07879	7/16 FLANGE NUT	4

DRAIN PLUG KIT

<u>KEY</u>	<u>PART NUMBER</u>	<u>DESCRIPTION</u>	<u>QTY</u>
1	364-62-01-000	DRAIN PLUG SLEEVE 1.S.S.Y	1
2	364-62-02-000	PLUG ASSY	1
3	364-62-03-000	HANDLE ASSY	1
4	364-62-00-199	HOUSING BRKT	2

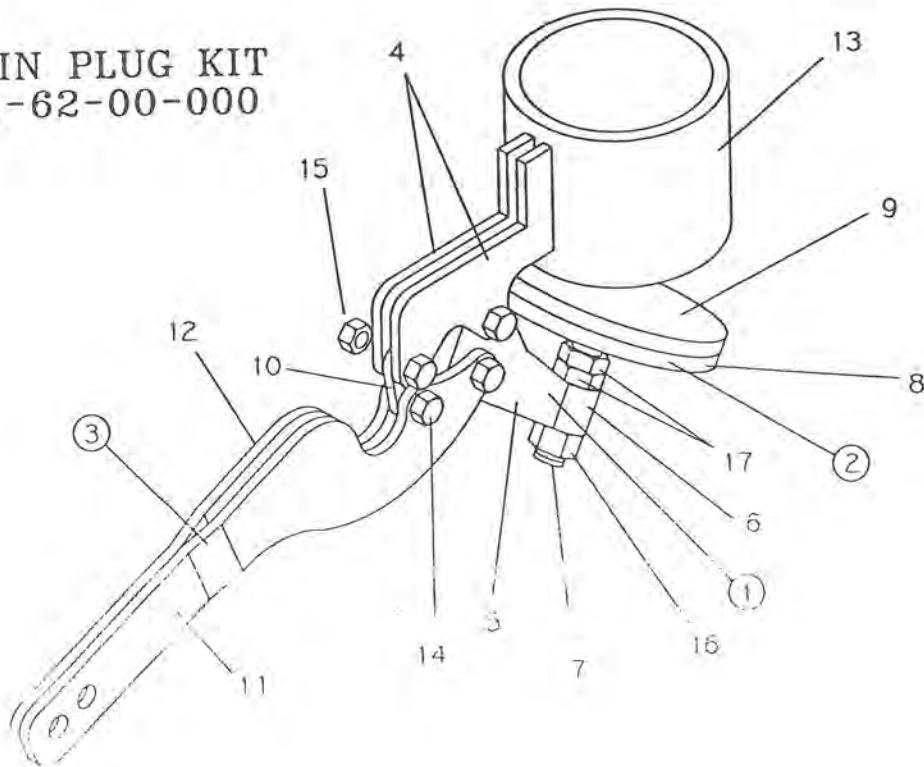
5	364-62-01-200	SLEEVE LINKAGE	1
6	364-62-01-201	SLEEVE	1
7	364-62-02-202	ADJUSTMENT ROD	1
8	364-62-02-203	PLUG PLATE	1

9	364-62-02-204	PLUG RUBBER	1
10	364-62-00-205	SHORT LINKAGE	1
11	364-62-03-206	LH. HANDLE	1
12	364-62-03-207	RH. HANDLE	1

13	364-01-03-110	DRAIN PIPE	1
14	R08176	1/4-20 UNC X 7/8 SHORT THRD BOLT	4
15	R08048	1/4-20 LOCK NUT	4
16	R07885	1/2-13 UNC HEX NYLOC NUT	1

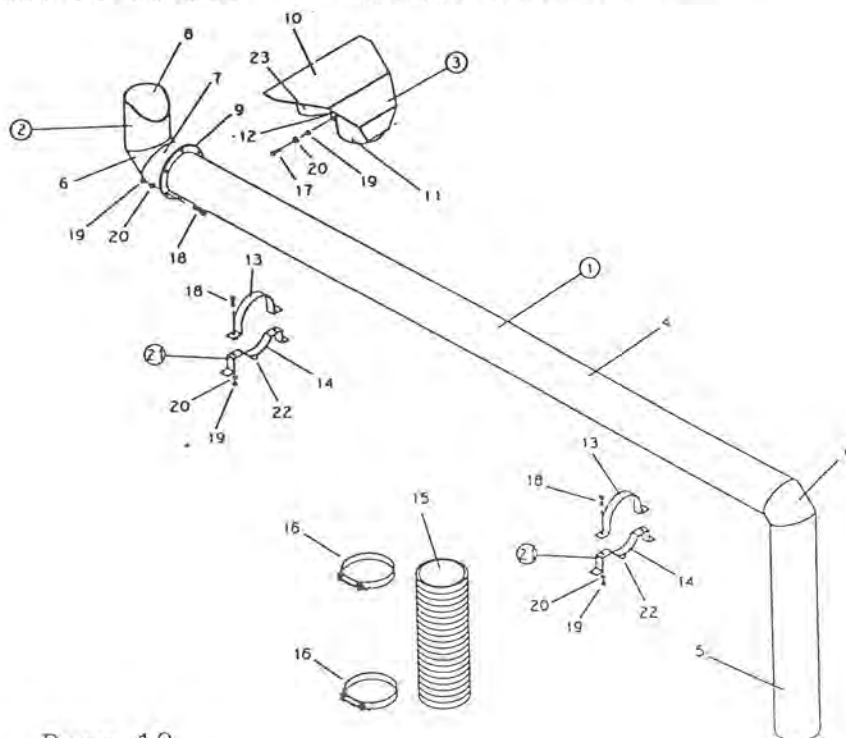
17	R08046	1/2-13 UNC JAM NUT	2

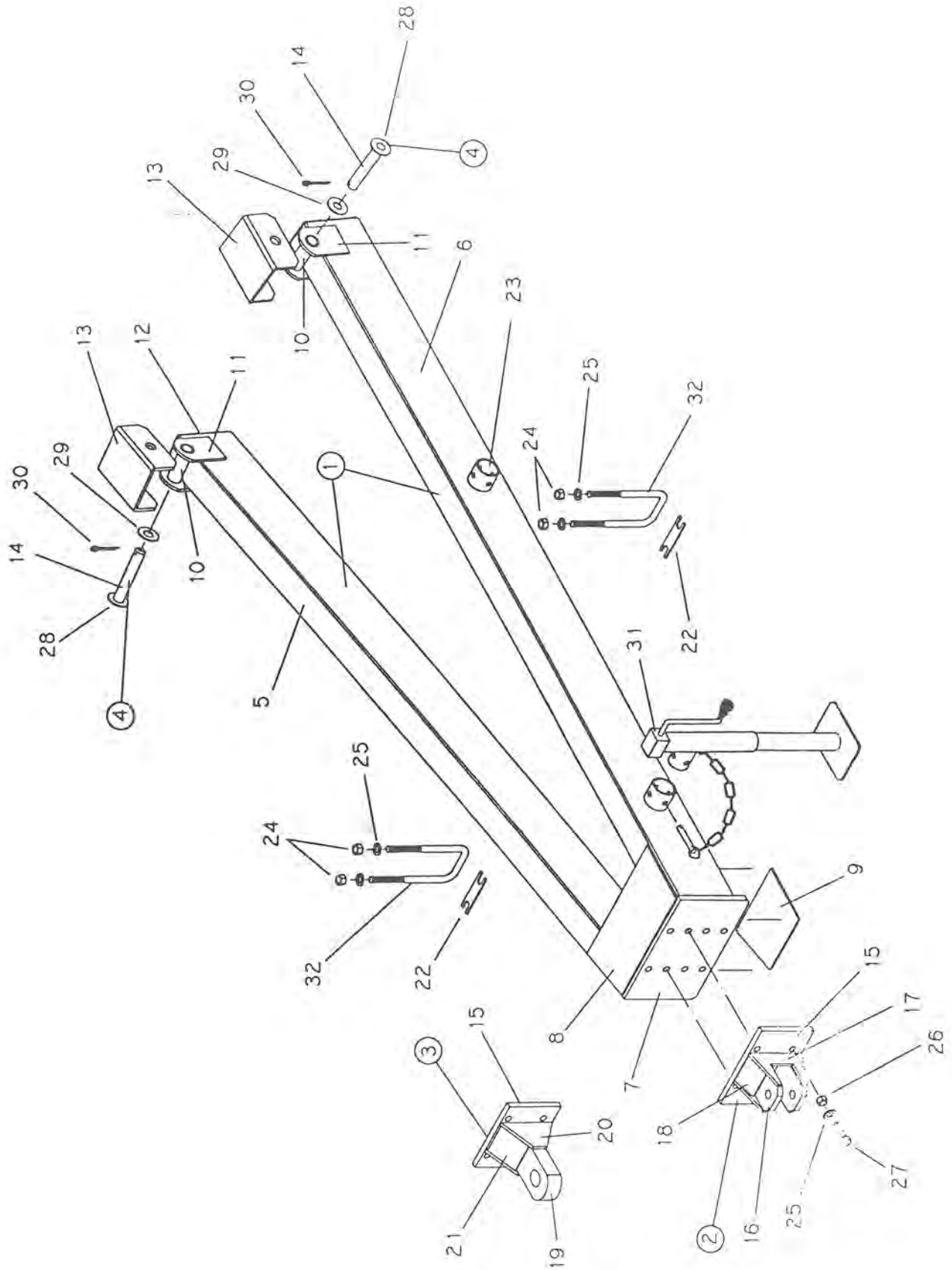
DRAIN PLUG KIT
364-62-00-000



DISCHARGE PIPE ASSEMBLY

KEY	PART NUMBER	DESCRIPTION	QTY
1	364-19-00-000	DISCHARGE PIPE ASSEMBLY -12 & 14000L	1
	359-30-00-000	DISCHARGE PIPE ASSEMBLY -15000L	1
	362-59-00-000	DISCHARGE PIPE ASSEMBLY -9000L	1
	362-20-00-000	DISCHARGE PIPE ASSEMBLY -7000L	1
2	364-25-00-000	DISCHARGE PIPE END SECTION	1
3	364-21-00-000	SPLASH PLATE ASSEMBLY	1
4	364-19-00-065	HORIZONTAL DISCHARGE PIPE -9,12 & 14000L	1
	359-30-00-108	HORIZONTAL DISCHARGE PIPE -15000L	1
	362-20-00-068	HORIZONTAL DISCHARGE PIPE -7000L	1
5	364-19-00-064	VERTICAL DISCHARGE PIPE 12,14 & 15000L	1
	362-20-00-184	VERTICAL DISCHARGE PIPE 7 & 9000L	1
6	364-19-00-082	DISCHARGE PIPE CORNER PIECE	2
7	364-25-00-088	DISCHARGE PIPE FLANGE PIECE	1
8	364-25-00-067	DISCHARGE PIPE END PIECE	1
9	364-19-00-087	DISCHARGE PIPE FLANGE	2
10	364-21-00-069	SPLASH PLATE	1
11	364-21-00-070	CLAMPING TUBE	1
12	364-21-00-071	CLAMPING TUBE BRKT	2
13	364-00-00-083	DISCHARGE CLAMP UPPER PIECE	2
14	364-50-00-084	DISCHARGE CLAMP BASE PIECE	2
15	364-00-00-066	FLEX HOSE	1
16	R02482	6" CLAMP	2
17	R07622	3/8 X 2 1/2 HEX BOLT	2
18	R07675	3/8 X 1 1/4 HEX BOLT	10
19	R07783	3/8 HEX NUT	12
20	R07803	3/8 LOCK WASHER	12
21	364-50-00-000	DISCHARGE CLAMP BASE ASSY	2
22	364-50-00-165	DISCHARGE CLAMP SPACER	2
23	364-21-00-224	SPLASH PLATE WING	2





TONGUE AND HITCH

KEY	PART NUMBER	DESCRIPTION	QTY
1	364-35-00-000	TONGUE ASSEMBLY	1
2	364-05-00-000	STD HITCH ASSEMBLY	1
3	364-26-00-000	SINGLE POINT HITCH ASSEMBLY	*
4	315-39-00-000	LOCK PIN ASSEMBLY	2

5	364-35-00-115	R H TONGUE TUBE	1
6	364-35-00-116	L H TONGUE TUBE	1
7	364-35-00-117	HITCH BOLT PLATE	1
8	364-35-00-118	TONGUE TUBE UPPER GUSSET	1

9	364-35-00-119	TONGUE TUBE LOWER GUSSET	1
10	315-36-00-145	BUSHING	2
11	315-36-00-146	SIDE PIECE	4
12	315-36-00-147	TONGUE TUBE END CAP	2

13	315-31-00-115	TONUGE "U" PIECE	2
14	315-39-00-155	LOCK PIN	2
15	364-05-00-030	HITCH BACK PLATE	1
16	364-05-00-031	HITCH PLATE	2

17	364-05-00-032	HITCH SIDE GUSSET	2
18	364-05-00-033	HITCH UPPER GUSSET	2
19	364-26-00-091	SINGLE POINT HITCH	1
20	364-26-00-092	SINGLE POINT HITCH GUSSET	2

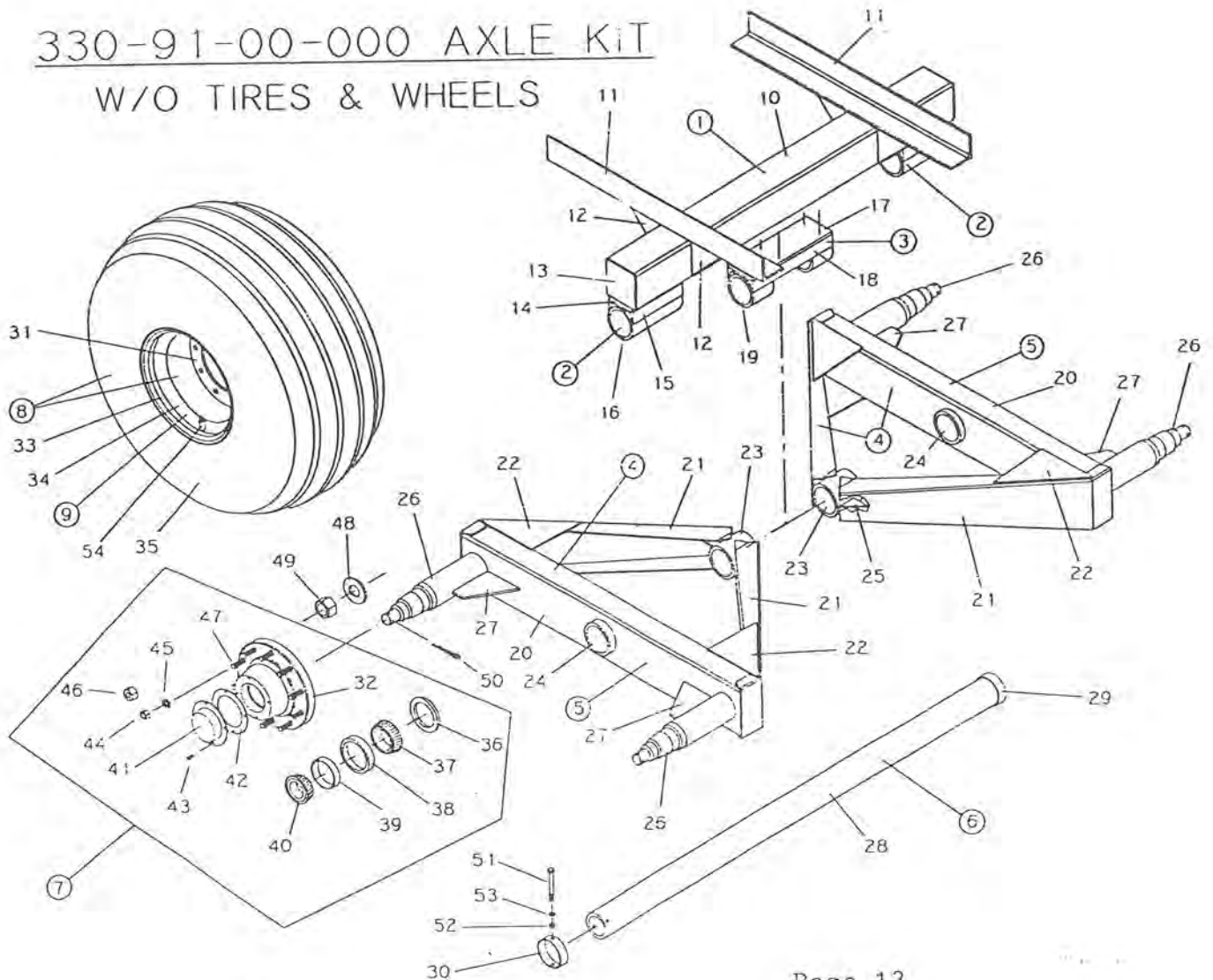
21	364-26-00-093	HITCH UPPER & LOWER GUSSET	2
22	364-00-00-131	U BOLT SPACER	2
23	364-35-00-189	TONGUE JACK STORAGE BRKT	1
24	R07820	3/4 NF HEX NUT	4

25	R07807	3/4 LOCK WASHER	8
26	R07787	3/4 HEX NUT	4
27	R07655	3/4 X 2 1/2 HEX BOLT	4
28	R07828	1 FLAT WASHER	2

29	R07830	1 1/4 FLAT WASHER	2
30	R08016	1/4 X 2 COTTER PIN	2
31	R09751	7000 LB SIDE WIND JACK	1
32	R08172	3/4 NF X 10" U BOLT	2

KEY	PART NUMBER	DESCRIPTION	QTY
1	330-69-00-000	BASE FRAME ASSEMBLY	1
2	325-62-18-000	STATIONARY SLEEVE ASSEMBLY	2
3	330-69-22-000	CENTRE SLEEVE ASSEMBLY	1
4	330-91-44-000	TANDEM SIDE ASSEMBLY	2
5	330-91-36-000	WALKING BEAM ASSEMBLY	2
6	330-08-00-000	AXLE TUBE ASSEMBLY	1
7	340-43-00-000	HUSKY 10 BOLT HUB COMPLETE 16000 LB	4
8	340-54-00-000	21.5 X 16.1 14 PLY T&W 10 BOLT	*
	326-02-00-000	21.5 X 16.1 10 PLY T&W 10 BOLT	*
	340-19-00-000	18 X 22.5 USED TRUCK TIRE & WHEEL	4
9	340-45-00-000	WHEEL ASSY FOR 21.5 TIRE	*
10	330-69-00-261	CROSS AXLE SUPPORT	1
11	315-35-00-131	SILL ANGLE PLATE	2
12	315-31-00-116	DOUBLE GUSSET	4
13	325-62-00-238	COVER PLATE	2
14	325-62-18-239	LONG SPACER BAR	2

330-91-00-000 AXLE KIT W/O TIRES & WHEELS



AXLE KIT

<u>KEY</u>	<u>PART NUMBER</u>	<u>DESCRIPTION</u>	<u>QTY</u>
15	325-62-18-240	LONG CHANNEL SPACER	2
16	315-35-00-130	STATIONARY SLEEVE	2
17	330-69-22-262	CENTRE BAR SPACER	1
18	330-69-22-263	CENTRE CHANNEL SPACER	1

19	330-69-22-264	CENTRE SLEEVE	2
20	325-63-00-245	WALKING BEAM	2
21	325-63-00-246	TANDEM SIDE ARM	4
22	330-91-44-526	GUSSET	8

23	325-63-00-247	INSIDE ROCKER SLEEVE	2
24	315-33-00-127	OUTER ROCKER SLEEVE	2
25	325-63-00-244	GUSSET	4
26	330-91-36-485	WELDED SPINDLE FOR 10 BOLT HUB	4

27	330-91-36-486	SPINDLE GUSSET	4
28	330-08-00-527	MAIN AXLE TUBE	1
29	330-08-00-528	STOP RING	1
30	315-00-00-137	RETAINING RING	1

31	340-45-00-461	CENTRE DISC	4
32	340-43-00-451	16000 LB HUB W/CUPS	4
33	R20056	RIM FOR 21.5 TIRE	*
34	R20059	10 BOLT WHEEL 13.5 X 22.5 FOR T.T.	4

35	R20014	21.5 X 16.1 14 PLY IMPLEMENT TIRE	*
	R20005	21.5 X 16.1 10 PLY IMPLEMENT TIRE	*
	R20011	18 X 22.5 USED TRUCK TIRE	4
36	R20083	SEAL CR-38730	4

37	R20086	INNER CONE #47687	4
38	R20088	INNER CUP #47620	4
39	R20089	OUTER CUP #39520	4
40	R20087	OUTER CONE #39585	4

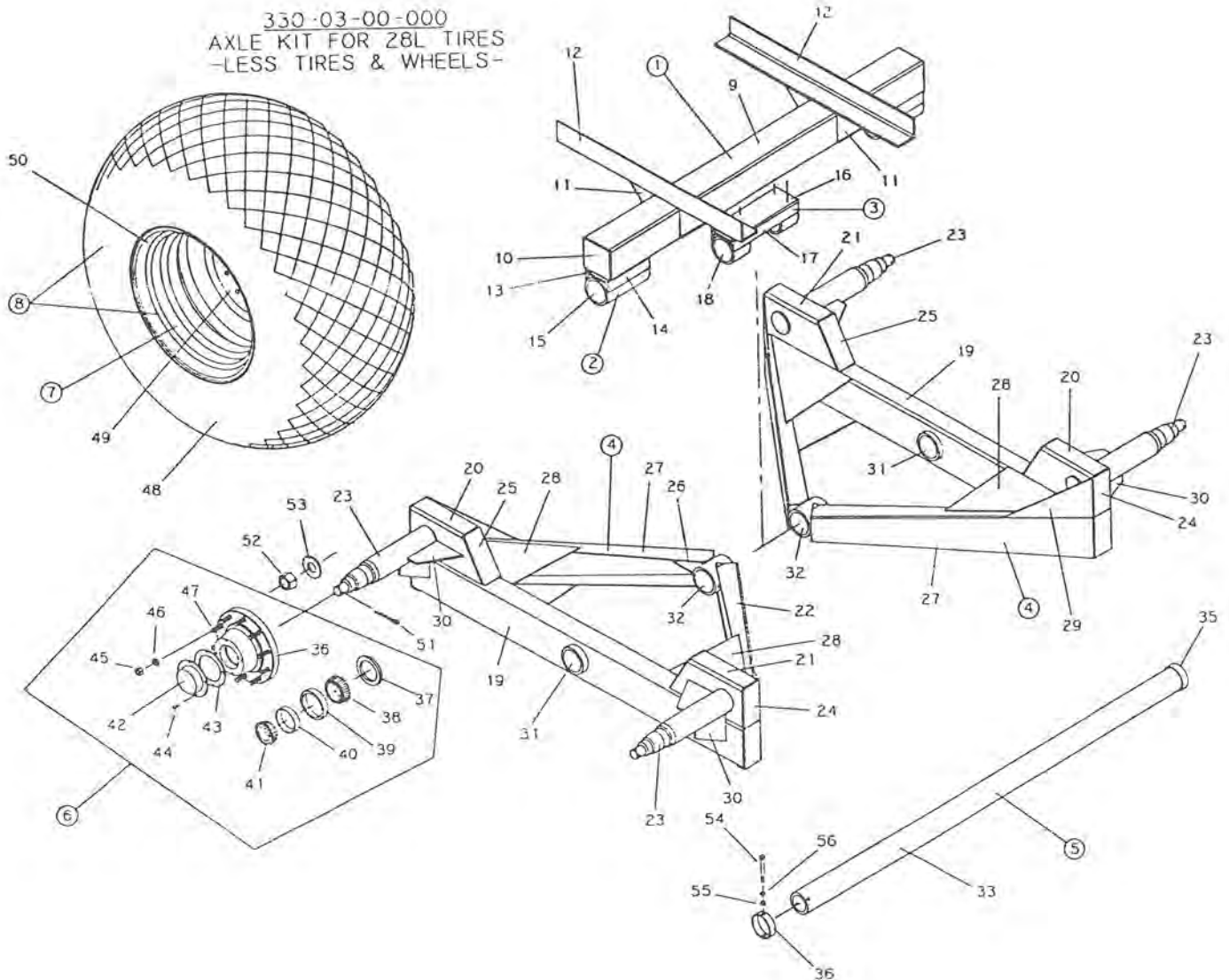
41	R20093	DUST CAP	4
42	R20084	DUST CAP GASKET	4
43	R07690	DUST CAP BOLT 5/16 X 5/8	16
44	R07820	3/4-16 UNF FEDALLOY HEX NUT (21.5 WH)	*

45	R07834	3/4 FEDALLOY FLAT WASHER (21.5 WHEEL)	*
46	R20097	3/4 SPH-RAD WHEEL NUT (18 X 22.5 WHL)	40
47	R20096	3/4-16 UNF WHEEL STUD	40
48	R20091	1 13/16 SPINDLE WASHER	4

49	R20092	1 3/4-12 UNF SPINDLE NUT	4
50	R20095	5/16 X 4 COTTER PIN	4
51	R07644	1/2 X 5 HEX BOLT	1
52	R07785	1/2 HEX NUT	1

53	R07805	1/2 LOCK WASHER	1
54	R20020	VALVE STEM FOR 21.5 TIRE	*

KEY	PART NUMBER	DESCRIPTION	QTY
1	330-03-41-000	BASE FRAME ASSY	1
2	325-62-18-000	STATIONARY SLEEVE ASSY	2
3	330-69-22-000	CENTER SLEEVE ASSY	1
4	330-03-42-000	WALKING BEAM ASSY	2
<hr/>			
5	330-09-00-000	AXLE TUBE ASSY	1
6	340-43-00-000	HUSKY 10-BOLT HUB COMPLETE - 16000 LB	4
7	330-04-43-000	WHEEL ASSY FOR 28L TIRE	4
8	330-04-00-000	28L X 26 TIRE AND WHEEL ASSY	4
<hr/>			
9	330-03-41-504	CROSS AXLE SUPPORT	1
10	325-62-00-238	COVER PLATE	2
11	315-31-00-116	DOUBLE GUSSET	4
12	315-35-00-131	SILL ANGLE PLATE	2



AXLE KIT FOR 28L TIRES

KEY	PART NUMBER	DESCRIPTION	QTY
13	325-62-18-239	SPACER BAR	2
14	325-62-18-240	LONG CHANNEL SPACER	2
15	315-35-00-130	STATIONARY SLEEVE	2
16	330-69-22-262	CENTRE BAR SPACER	1
17	330-69-22-263	CENTRE CHANNEL SPACER	1
18	330-69-22-264	CENTRE SLEEVE	2
19	330-03-42-505	WALKING BEAM	2
20	330-03-42-506	R.H. WALKING BEAM SPINDLE TUBE	2
21	330-03-42-507	L.H. WALKING BEAM SPINDLE TUBE	2
22	330-03-42-508	TANDEM SIDE ARM	2
23	330-03-42-509	SPINDLE	4
24	330-03-42-511	END CAP	4
25	330-03-42-512	ANGLED END CAP	4
26	330-03-42-513	GUSSET	4
27	330-03-42-524	TANDEM SIDE ARM	2
28	330-03-42-525	GUSSET	8
29	330-03-42-516	GUSSET	4
30	330-91-36-486	SPINDLE GUSSET	8
31	315-33-00-127	OUTER ROCKER SLEEVE	2
32	325-63-00-247	INSIDE ROCKER SLEEVE	2
33	330-09-00-529	MAIN AXLE TUBE	1
34	330-08-00-528	STOP RING	1
35	315-00-00-137	RETAINING RING	1
36	340-43-00-451	16000 LB HUB WITH CUPS	4
37	R20083	SEAL CR-38730	4
38	R20086	INNER CONE 47687	4
39	R20088	INNER CUP 47620	4
40	R20089	OUTER CONE 39520	4
41	R20087	OUTER CUP 39585	4
42	R20093	DUST CAP	4
43	R20084	DUST CAP GASKET	4
44	R07690	DUST CAP BOLT 5/16 X 5/8	16
45	R07820	3/4-16 UNF FEDALLOY HEX NUT	40
46	R07834	3/4 FEDALLOY FLAT WASHER	40
47	R20096	3/4-16 UNF WHEEL STUD	40
48	R20015	28L X 26 TIRE AND TUBE	4
49	R20052	CENTER DISC FOR 28L X 26 WHEEL	4
50	R20053	RIM FOR 28L X 26 TIRE	4
51	R20095	5/16 X 4 COTTER PIN	4
52	R20092	1-3/4-12 UNF SPINDLE NUT	4
53	R20091	1-13/16 SPINDLE WASHER	4
54	R07644	1/2 X 5 HEX BOLT	1
55	R07785	1/2 HEX NUT	1
56	R07805	1/2 LOCK WASHER	1

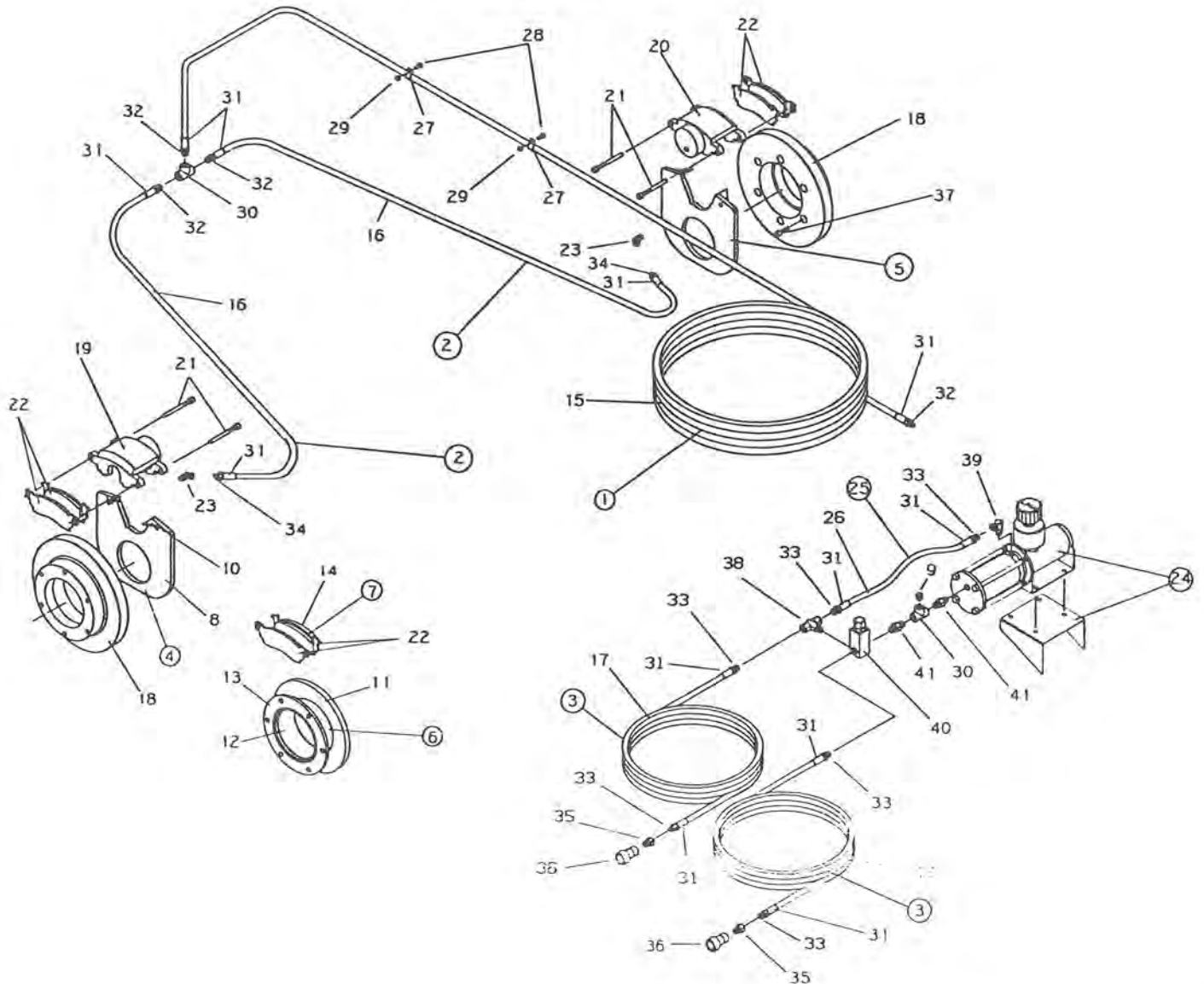
311-00-00-000
312-00-00-000

BRAKE KIT FOR 21.5L X 16.1 TIRES
BRAKE KIT FOR 18 X 22.5 AND 28L X 26 TIRES

KEY	PART NUMBER	DESCRIPTION	QTY
1	340-17-38-000	MAIN BRAKE LINE ASSY	1
2	312-04-00-000	HYD. BRAKE HOSE ASSY	2
3	340-17-39-000	HYD. HOSE - MASTER CYL. TO TRACTOR	2
4	312-02-00-000	R.H. CALIPER MOUNTING PLATE ASSY	1

5	311-17-00-000	R.H. CALIPER MOUNTING PLT ASSY (21.5)	1 *
	312-03-00-000	L.H. CALIPER MOUNTING PLATE ASSY	1
	211-18-00-000	L.H. CALIPER MOUNTING PLT ASSY (21.5)	1 *
6	311-16-00-000	BRAKE DISC ASSY	2 *

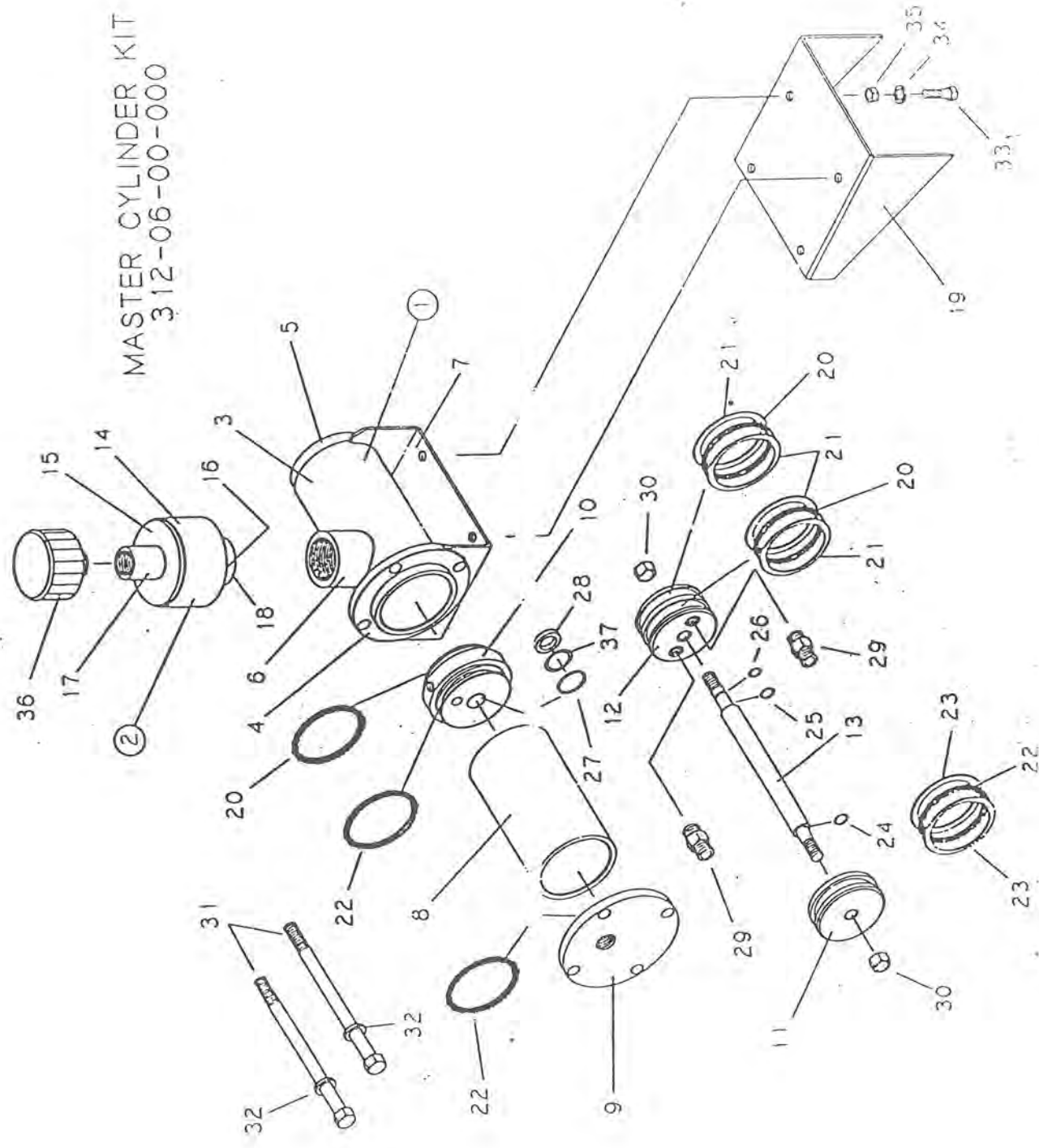
DISC BRAKES FOR
12,14 & 15000 L TANKS



BRAKES CONTINUED			
KEY	PART NUMBER	DESCRIPTION	QTY
7	310-15-00-000	PAD & SPACER ASSY	2 *
8	312-02-00-027	CALIPER MOUNTING PLATE	2
	311-17-00-050	CALIPER MOUNTING PLATE (21.5)	2 *
9	R02151	3/8" PIPE PLUG	1
10	340-08-10-334	CALIPER PLATE SUPPORT	4
11	311-16-00-024	BRAKE DISC	2 *
12	311-16-00-025	DISC SPACER	2 *
13	340-10-00-350	DISC HOLD DOWN PLATE	2 *
14	340-15-00-023	PAD SPACER	2 *
15	340-77-38-544	MAIN HYD. BRAKE HOSE	1
16	312-04-00-028	HYD. HOSE	2
17	340-17-39-545	HYD. HOSE - MASTER CYL. TO TRACTOR	2
18	R20098	CAST BRAKE DISC	2 ~
19	R21065	R.H. DISC BRAKE CALIPER ASSY TC500	1
20	R21066	L.H. DISC BRAKE CALIPER ASSY TC501	1
21	R21070	GUIDE PINS	4
22	R21067	BRAKE PADS (PAIR)	2
23	R21308	45' X 7/16 SAE X 1/4 NPT ADAPTOR	2
24	312-06-00-000	MASTER CYLINDER KIT	1
25	312-06-05-000	HYD. HOSE ASSY	1
26	312-06-05-048	HYD. HOSE	1
27	R21104	HYD. HOSE CLIPS	8
28	R07698	1/4 X 1/2 HEX HEAD BOLT	8
29	R07781	1/4 HEX HEAD NUT	8
30	R21400	SOLID HYD TEE	2
31	R21231	STEEL FERRULE - 1/4" HOSE	10
32	R20806	3/8-18 NPT SWIVEL MALE STEM	4
33	R20803	3/8-18 NPT SOLID MALE STEM	6
34	R20807	1/4-18 NPT SOLID MALE STEM	2
35	R02043	1/2 X 3/8 BUSHING	2
36	R21342	PIONEER COUPLER	2
37	R07871	1/2-20 X 3 NF SOCKET HEAD CAP SCREW	12
38	R21391	3/8 NPT SWIVEL TEE ADAPTOR	1
39	R21334	1/4M X 3/8FM X 90 DEG SWIVEL ADAPTOR	1
40	R21201	RELIEF VALVE	1
41	R21397	3/8 HYD. NIPPLE	2

NOTE: * FOR 21.5L X 16.1 TIRES ONLY
 ~ FOR 18 X 22.5 & 28L X 26 TIRES ONLY

MASTER CYLINDER KIT
312-06-00-000



MASTER CYLINDER KIT

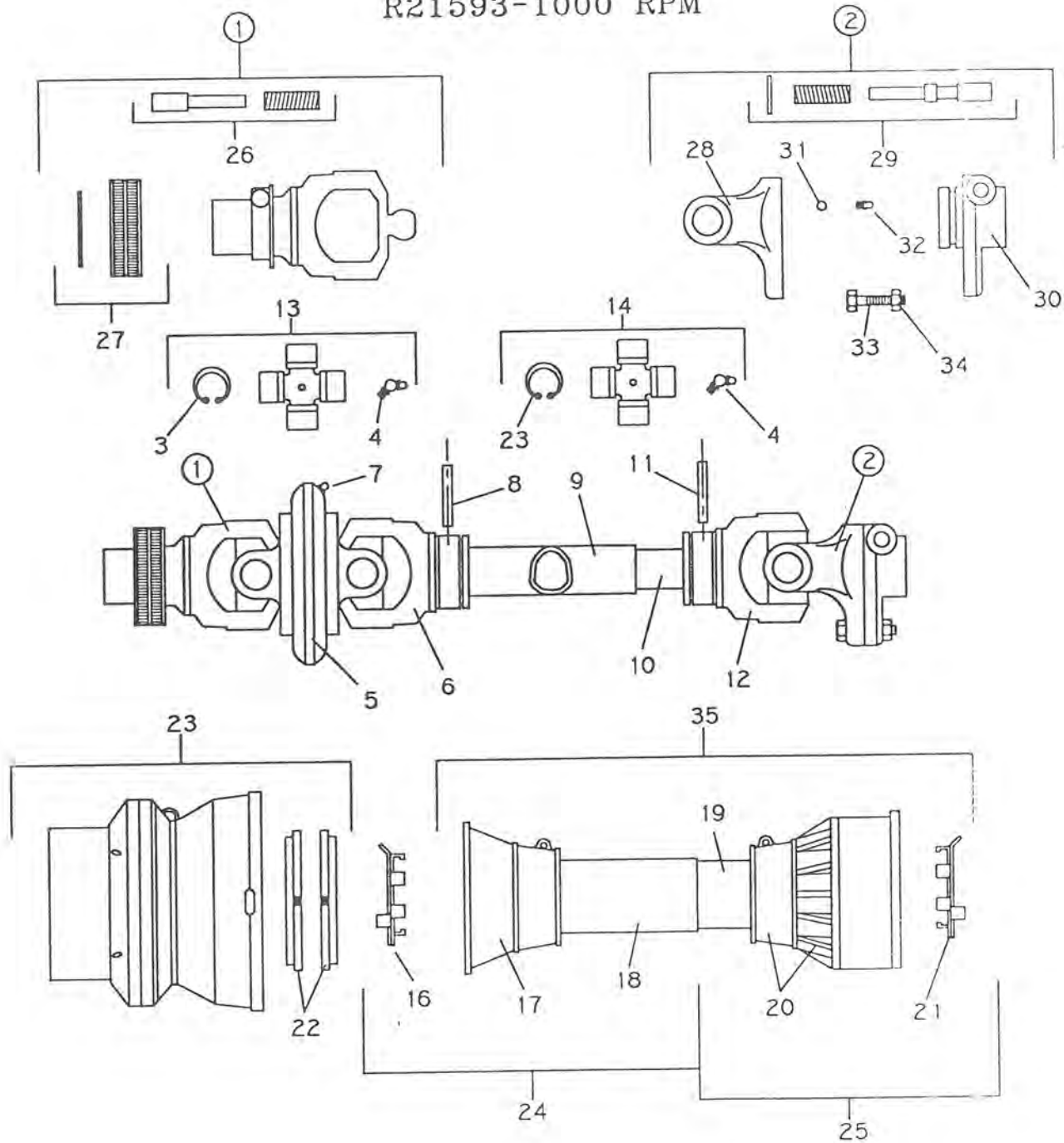
KEY	PART NUMBER	DESCRIPTION	QTY
1	312-06-02-000	MASTER CYLINDER TUBE ASSY	1
2	312-06-03-000	RESERVOIR ASSY	1
3	312-06-02-030	MASTER CYLINDER TUBE	1
4	312-06-02-031	MASTER CYLINDER FLANGE	1
5	312-06-02-032	MASTER CYLINDER END CAP	1
6	312-06-02-033	COUPLER	1
7	312-06-02-034	MOUNT PLATE	1
8	312-06-00-035	HYDRAULIC CYLINDER TUBE	1
9	312-06-00-036	HYDRAULIC CYLINDER END CAP	1
10	312-06-00-037	CYLINDER DIVIDER BLOCK	1
11	312-06-00-038	HYDRAULIC PLUNGER	1
12	312-06-00-039	MASTER CYLINDER PLUNGER	1
13	312-06-00-040	SHAFT	1
14	312-06-03-041	RESERVOIR TUBE	1
15	312-06-03-042	RESERVOIR TOP PLATE	1
16	312-06-03-043	RESERVOIR BOTTOM PLATE	1
17	312-06-03-045	RESERVOIR COUPLING	1
18	312-06-03-046	RESERVOIR NIPPLE	1
19	312-06-00-047	TONGUE MOUNT PLATE	1
20	R20868	EP ORING #334 (2 5/8 X 3 X 3/16)	3
21	R20873	BACK UPS TEFLON #334	4
22	R20836	ORING #11-334 (2 5/8 X 3 X 3/16)	3
23	R20837	BACK UPS #8-334	2
24	R20865	ORING #11-014 (1/2 X 5/8 X 1/16)	1
25	R20870	EP ORING 014 (1/2 X 5/8 X 1/16)	1
26	R20869	EP ORING 012 (3/8 X 1/2 X 1/16)	1
27	R20871	EP ORING 210 (3/4 X 1 X 1/8)	1
28	R20872	3/4" HYTREL ROD WIPER 52-750	1
29	R21207	3/8 CHECK VALVE	2
30	R07885	1/2"-13 UNC LOCK NUT	2
31	R07679	1/2-13 UNC X 8 HEX BOLT	4
32	R07805	1/2 LOCK WASHER	4
33	R07620	3/8-16 UNC X 1 1/2 HEX BOLT	4
34	R07803	3/8 LOCK WASHER	4
35	R07783	3/8-16 UNC HEX NUT	4
36	R21103	FILLER BREATHER	1
37	R20874	3/4" BACKUP TEFLON	1
38	312-07-00-000	ORING REPAIR KIT	*

BONDIOLI AND PAVESI PTO

C/W 80° CV JOINT

R21592-540 RPM

R21593-1000 RPM



80 DEG. BONDOLI AND PAVESI CV PTO -R21592 540 RPM
 -R21593 1000RPM

KEY	MFG #	PART #	DESCRIPTION	QTY
1		R21712	1 3/4" - 20T YOKE	1
	573040375	R21681	YOKE W/ BRIDGE 540 RPM	1
	573043775	R21680	YOKE W/ BRIDGE 1000 RPM	
2	606404001	R21473	TORQUE LIM SB4/4	1 *
3	338009000	R21683	CIRCLIP	8

4	348004000	R21684	GREASE NIPPLE	3
5	511040051	R21685	CENTRAL BODY	1
6	215046854	R21686	YOKE	1
7	348017000	R21687	GREASE NIPPLE	1

8	341038000	R21475	FLEXIBLE PIN	1 *
9	225310630	R21689	CARDAN TUBE	1
10	245100630	R21690	CARDAN TUBE CM	1
11	341048000	R21476	FLEXIBLE PIN	1 *

12	204046852	R21472	INNER TUBE YOKE	1 *
13	412040012	R21682	CROSS JOURNAL ASSY	2
14	41204	R21693	CROSS JOURNAL ASSY	1
15	338017000	R21694	CIRCLIP	4

16	255040005	R21696	O. BEARING 3-4	1 *
17	254040024	R21697	O. BASIC CONES N3-4	1
18	236680577	R21698	CM SAFETY TUBE	1
19	236670577	R21699	CM SAFETY TUBE	1

20	517040061	R21700	I. CONE SET N3-4	1
21	255040006	R21701	I. BEARING 3-4	1 *
22	255040351	R21702	RING NUT DOWELS	1
23	517048001	R21703	COMPLETE SHELL	1

24	5NE4078W1654	R21709	HALF SAFETY GUARD	1
25	5NI40788NN	R21710	HALF SAFETY GUARD	1
26	403000001	R21669	COMPLETE PUSH BUTTON	1 ~
27	240080061	R21670	HUB	1 ~

28	213040020	R21704	SHEAR YOKE	1
29	401000001	R21451	COMPLETE PUSH BUTTON	1 ~*
30	513070324	R21706	HUB C/W QUICK DISCONNECT	1
31	362002000	R21705	1/4" BALL	23

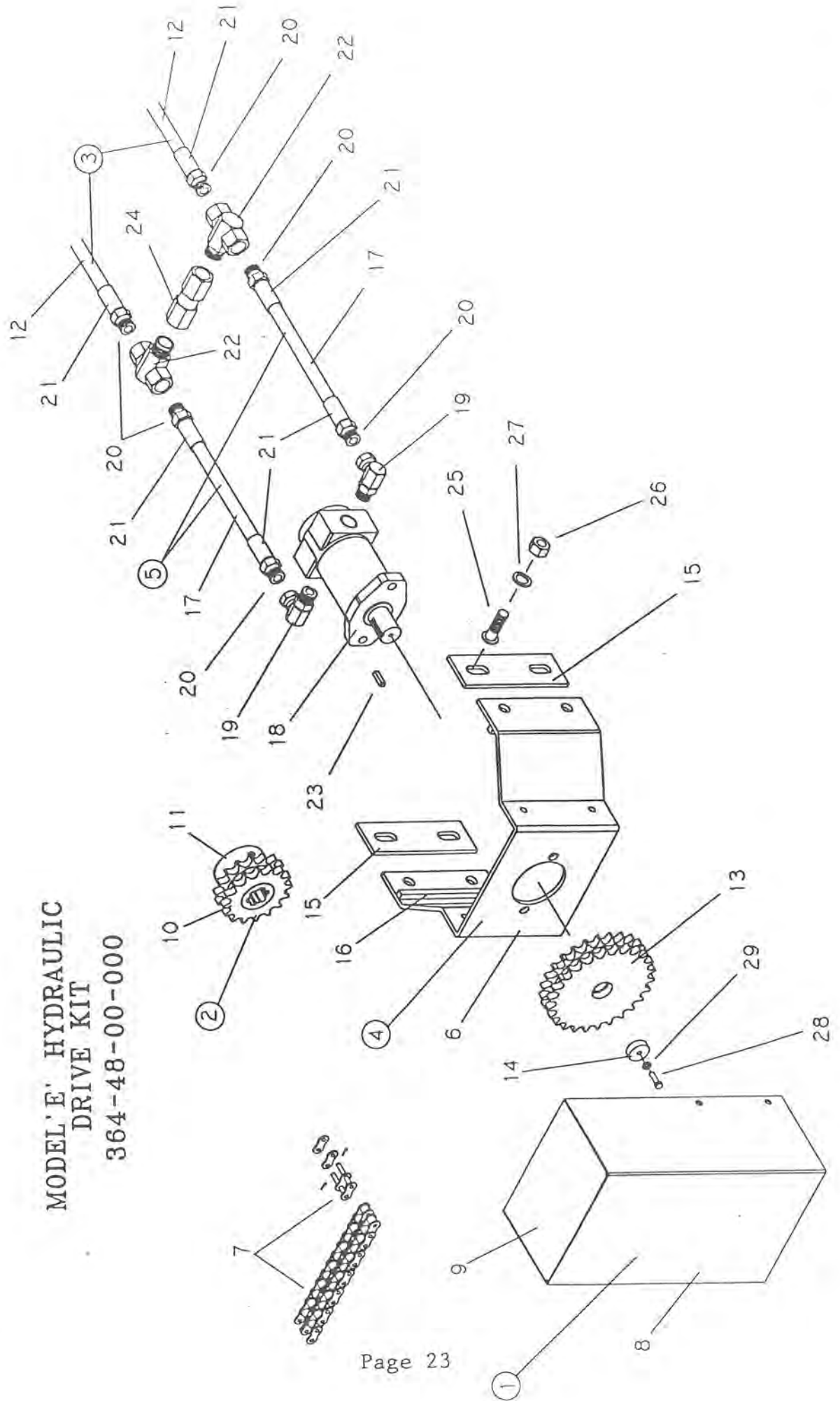
32	348012000	R21672	GREASE NIPPLE	1
33	432000047	R08251	M8 1.25 X 45 BOLT	1
34		R08252	M8 1.25 X LOCK NUT	1
35	5N04078W1654	R21711	SAFETY GUARD	1

* SAME AS 70 DEG. CV. PTO

~ SAME AS K31

MODEL 'E' HYDRAULIC
DRIVE KIT

364-48-00-000



MODEL E HYDRAULIC DRIVE KIT
364-48-00-000

<u>KEY</u>	<u>PART NUMBER</u>	<u>DESCRIPTION</u>	<u>QTY</u>
1	364-48-22-000	GUARD ASSY	1
2	364-48-23-000	FAN SHAFT SPROCKET ASSY	1
3	364-48-24-000	HYDRAULIC HOSE ASSY - TO TRACTOR	2
4	364-48-31-000	MOTOR MOUNT ASSY	1

5	364-48-32-000	HYDRAULIC HOSE ASSY - MOTOR TO CHK VALVE	2
6	364-48-31-157	HYDRAULIC MOTOR MOUNT	1
7	364-48-00-158	#60 DOUBLE ROLLER CHAIN W/CONN	1
8	364-48-22-159	GUARD BODY	1

9	364-48-22-160	GUARD CAP	1
10	364-48-23-161	FAN SHAFT SPROCKET #D60B16	1
11	364-48-23-162	SPLINE ADAPTOR	1
12	364-48-24-163	3/4" HYDRAULIC HOSE	2

13	364-48-00-166	MOTOR SPROCKET #D60B26	1
14	364-48-00-167	PLUG	1
15	364-48-00-185	MOTOR MOUNT BRKT	2
16	364-48-31-186	GUIDE BAR	2

17	364-48-32-187	3/4" HYDRAULIC HOSE	2
18	R21346	110 SERIES NICHOLS-GRAY HYD MOTOR	1
19	R21323	7/8-14 SAE O-RING BOSS 3/4NPT SW ADAPTOR	2
20	R21241	3/4" MALE SOLID STEM	8

21	R20824	3/4" FERRULE	8
22	R21393	3/4 NPT HYD SWIVEL TEE	2
23	R11114	KEY	1
24	R21202	3/4" NPT IN LINE CHECK VALVE	1

25	R07753	5/8 X 1 1/2 CARRIAGE BOLT	4
26	R07786	5/8 HEX NUT	4
27	R07806	5/8 LOCK WASHER	4
28	R07603	1/4 X 1 1/2 HEX BOLT	1

29	R07801	1/4" LOCK WASHER	1

KEY	PART NUMBER	DESCRIPTION	QTY
1	330-93-30-000	FLOAT ARM ASSY	1
2	330-93-31-000	BRONZE BRG HOLDER ASSY	1
3	330-93-32-000	INDICATOR ARM ASSY	1
4	330-93-32-374	CONNECTOR SHAFT	1

5	330-93-00-375	FLOAT	1
6	330-93-30-376	FLOAT ARM	1
7	330-93-30-377	BOSS	1
8	330-93-30-378	FLOAT STRAPS	2

9	330-93-31-379	BRONZE BEARING HOLDER	1
10	330-93-32-424	INDICATOR ARM	1
11	R07974	EXTERNAL RETAINING RING	2
12	R21173	1/2 X 5/8 X 1/2 BRONZE BUSHING	3

13	R07828	1" FLAT WASHER	2
14	R07788	1" HEX NUT	1
15	R07950	3/16 X 1-1/4 ROLL PIN	1
16	R08021	1/8 X 1 S.S. COTTER PIN	1

17	R09529	"FULL" STICKER	1
18	R09530	"EMPTY" STICKER	1
19	R20865	1/2 X 5/8 X 1/16 O-RING	1

