

Office Copy
 November 1, 1999 - 14 mach
 Mar 25/00 - 4 "
 Aug 28 - 6 "
 July 27/06 - 1 "
 Dec 15/11 - 1 "

Date Purchased _____ Machine Serial No. _____
 Size of Spreader _____ Options _____

PLEASE NOTE:

The key number system in this parts book is arranged as follows:

- 0 -- Key number with one circle denotes main assemblies
- Key Numbers not circled are individual parts.

Please order parts by number

7000L MODEL "E"
 HUSKY LIQUID MANURE SPREADER

OPERATING INSTRUCTIONS:

1. Heed all warnings.
2. Minimum HP requirements to safely operate on level terrain. on hilly terrain HP should be increased.

| | |
|--------------|--------|
| 4500L | 70 HP |
| 7000L | 85 HP |
| 9000L | 95 HP |
| 12000L | 110 HP |
| 14000L | 130 HP |
| 15000L | 140 HP |
| 18000L | 160 HP |
| 23000L | 200 HP |
3. If machine is equipped with hydraulic brakes that are operated from the tractor hydraulics, they will not work should the tractor motor stop.
 Inspect brakes before each use. Brakes must be bled before initial use unless installed at factory.
 When releasing brakes the tractor hydraulic lever must be put in the opposing position to release pressure. Do not put in float position they will not release.
4. Tractor PTO spline must be approximately 14" (355 mm) from end of compressed PTO for proper adjustment.
5. Hitch tanker to tractor with minimum of 1" (25mm) hardened hitch pin with a safety lock. Use 10,000 Lbs safety chain from spreader to tractor.
6. Do not use tongue jack stand to support loaded spreader. Put jack in storage position before using.
7. When hooking PTO to tractor make sure motor is stopped. Make sure QD (Quick Disconnect) safety locking pin is in locked position before using.
8. Clean off hose ends before plugging into tractor hydraulics. If spreader is equipped with hydraulic drive on spreading attachment, make sure tractor has sufficient oil flow and pressure to maintain satisfactory spread pattern, if not use another tractor.

OPERATING INSTRUCTIONS continued:

9. After using spreader in freezing conditions make sure impeller housing is drained.
10. Wash tank inside and out each time work is finished. This will increase life of tank by many years. See item 6 of Safety instructions.
11. Do not drive on public roads after dusk unless equipped with lights required by Department of Transportation in your area.
12. Remove wheels annually and grease wheel bearings.
13. Because manure smells, many farmers have made unfriendly neighbours. If in a residential area a manure injector is a recommended option to bury the smell.
14. Much of the fertilizer value of manure is lost when exposed to air. Getting the manure covered quickly is a very important part of spreading manure.
15. If rustproof coating on interior shows signs of deterioration, have interior repainted. This can be done with a roller or brush. This helps to increase the life of your spreader. It is a valuable maintenance procedure.

SAFETY INSTRUCTIONS:

Do not operate this machine until you fully understand the safe operating practices.

1. Make sure all moving parts are shielded to prevent coming in contact with loose clothing.
2. Keep children clear, do not let children or anyone ride on the spreader at anytime.
3. Do not support loaded spreader on tongue jack.
4. Keep tire pressure to recommended pressure at all times. Recommended tire pressure being:

| | | Lbs | KPA |
|--------------|--------------------|-----|-----|
| 40 x 14 | Airplane Tires | 55 | 379 |
| 44 x 16 | Airplane Tires | 55 | 379 |
| 47 x 18 x 18 | Airplane Tires | 55 | 379 |
| 50 x 20 x 20 | Airplane Tires | 55 | 379 |
| 16.5L x 16.1 | Implement Tires | 35 | 241 |
| 21.5L x 16.1 | Implement Tires | 35 | 241 |
| 18.4L x 26 | Turf Tires | 26 | 180 |
| 28L x 26 | Turf Tires | 24 | 166 |
| 23.5L x 25 | Loader Dozer Tires | 55 | 379 |
| 18L x 22.5 | Truck Tires | 65 | 448 |

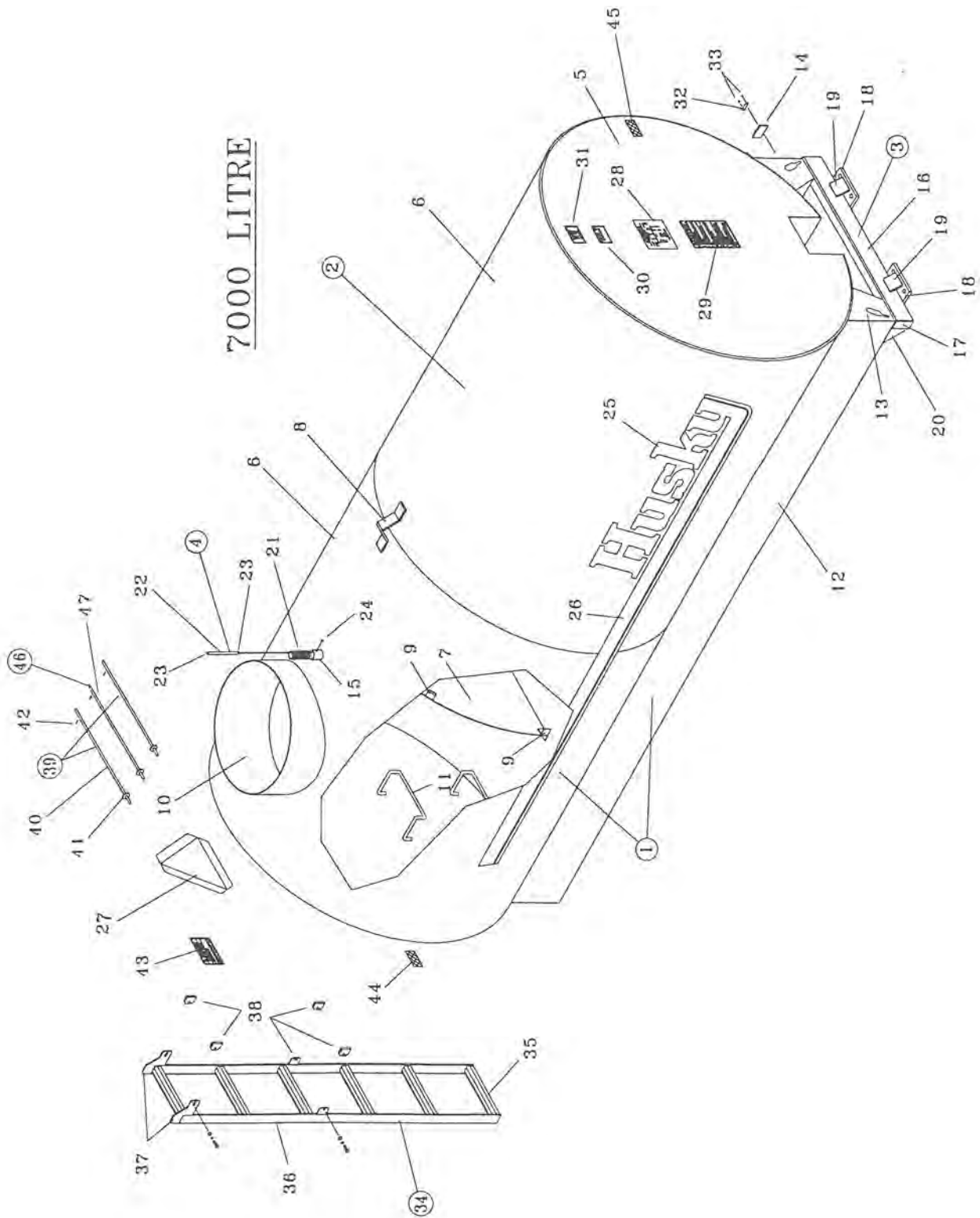
1 Lb = 6.8947 KPA

5. Keep wheel bolts torqued to recommended torque at all times.

| Wheel Bolt Size | Torque | | Torque | Meter/Kg |
|-----------------|--------|----------------|--------|----------|
| | Dry | Ft./Lbs. Oiled | | |
| 9/16 - 18 NF | 120 | 190 | 26.28 | 16.59 |
| 5/8 - 18 NF | 240 | 270 | 37.34 | 33.18 |
| 3/4 - 16 NF | 420 | 470 | 65.01 | 58.07 |

(Check Daily)

6. Never enter a tanker without special breathing equipment to supply oxygen. Manure gases can kill instantly. One breath of Hydrogen Sulfide can kill.
7. When looking up or repairing hydraulic hoses always wear safety glasses and relieve pressure to avoid getting oil in eyes.
8. Caution - disc brakes will not release unless valve lever is held momentarily in opposite position. This will relieve pressure in brake line. Do not put in float position, they will not release.



7000 LITRE

Husky

7000L TANK COMPLETE

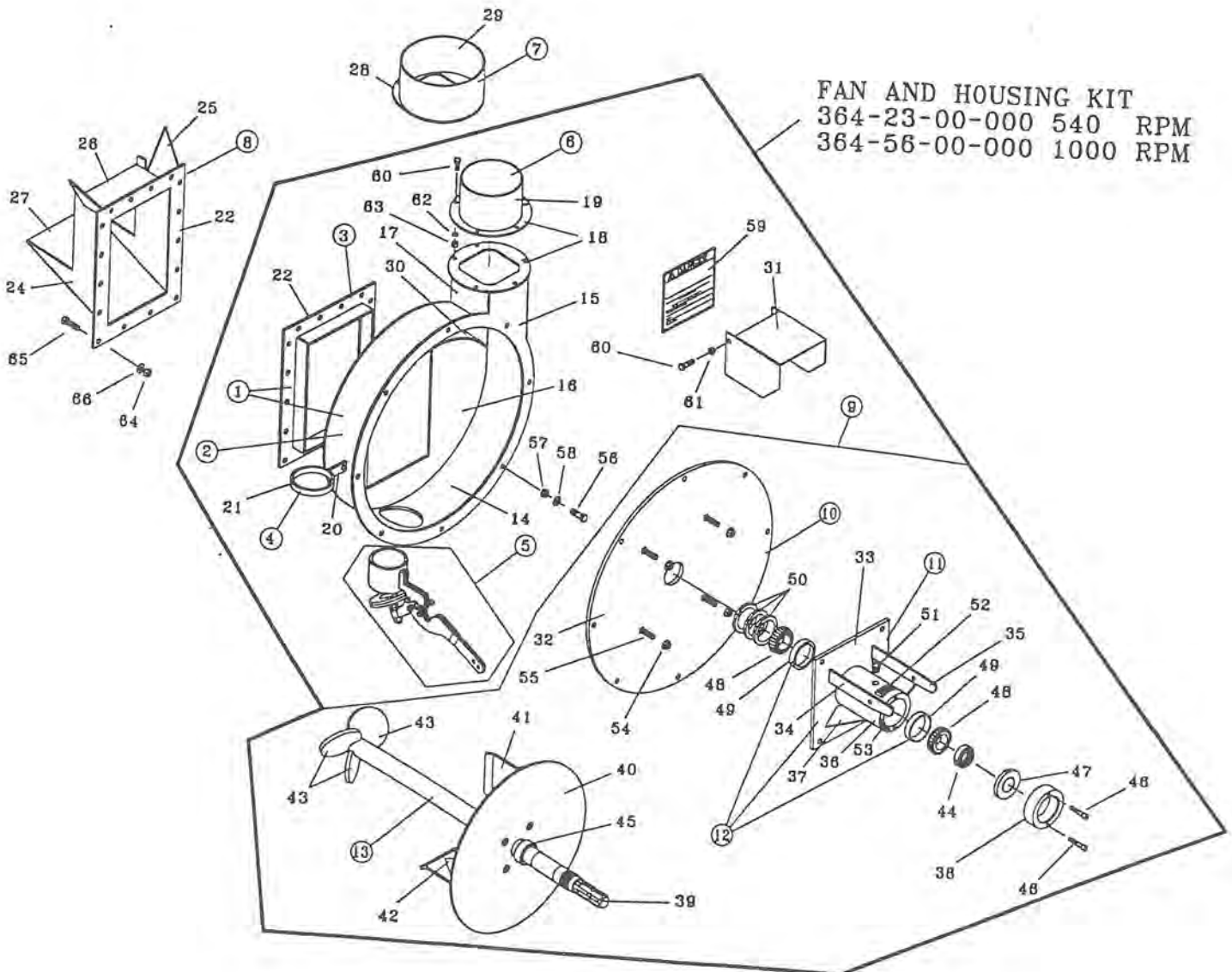
| <u>Keys</u> | <u>Parts Number</u> | <u>Description</u> | <u>Qty</u> |
|-------------|---------------------|--------------------------------|------------|
| 1 | 361-17-00-000 | 7000L Tank & Sill Assy. | 1 |
| 2 | 315-30-10-000 | 7000L Tank Assy. | 1 |
| 3 | 364-02-17-000 | Cross Member Assy. | 1 |
| 4 | 340-62-00-000 | Indicator Kit | 1 |
| 5 | 315-30-10-104 | 7000L Tank End | 2 |
| 6 | 315-30-10-105 | 7000L Tank Shell | 2 |
| 7 | 315-30-00-106 | Baffle | 1 |
| 8 | 300-01-00-012 | Lift Hook | 1 |
| 9 | 300-01-00-016 | Baffle Bracket | 8 |
| 10 | 364-02-00-006 | Manhole | 1 |
| 11 | 364-02-00-008 | Ladder Rung | 2 |
| 12 | 315-31-00-118 | 7000L Sill | 2 |
| 13 | 315-31-00-117 | 7000L Sill Cap | 4 |
| 14 | 340-01-00-498 | Serial Number Plate | 1 |
| 15 | 340-00-00-536 | Flag Spring Holder | 1 |
| 16 | 364-02-17-120 | Cross Member | 1 |
| 17 | 364-02-17-121 | End Cap | 2 |
| 18 | 364-02-17-122 | Tongue Strap | 2 |
| 19 | 364-02-17-123 | Tongue Strap Gusset | 2 |
| 20 | 364-02-17-124 | Cross Member Gusset | 2 |
| 21 | R08037 | Flag Spring | 1 |
| 22 | 340-62-00-553 | Indicator | 1 |
| 23 | R08163 | Clip | 2 |
| 24 | R07926 | 5/16 x 1/4 SS Set Screw | 1 |
| 25 | R09510 | Husky Decal | 2 |
| 26 | R09511 | Accent Strip | 2 |
| 27 | R09501 | Slow Moving Vehicle Sign | 1 |
| 28 | R09730 | Tire Pressure Sticker | 1 |
| 29 | R09783 | "Caution" Decal | 1 |
| 30 | R09509 | Made in Canada Sticker | 1 |
| 31 | R09512 | Capacity Sticker | 1 |
| 32 | R09071 | Serial Number | 1 |
| 33 | R08152 | #6 x 1/4 Pan Head Screw | 2 |
| 34 | 364-95-00-000 | Ladder Assembly | 1 |
| 35 | 364-95-00-324 | Ladder Step | 6 |
| 36 | 364-95-00-325 | Ladder Side | 2 |
| 37 | 364-95-00-326 | Ladder Lug | 2 |
| 38 | 364-95-00-327 | Ladder | 6 |
| 39 | 364-47-00-000 | Manhole Safety Bar Assy.-Short | 2 |
| 40 | 364-47-00-155 | Manhole Safety Bar | 2 |
| 41 | R07825 | 1/2" Flat Washer | 3 |
| 42 | R08207 | 5/32 x 1 1/2 SS Cotter Pin | 3 |
| 43 | R09784 | "Danger Toxic Gas" Decal | 1 |
| 44 | R10096 | Red Reflector | 2 |
| 45 | R10097 | Amber Reflector | 1 |
| 46 | 364-49-00-000 | Manhole Safety Bar Assembly | 1 |
| 47 | 364-49-00-164 | Manhole Safety Bar | 1 |

FAN & HOUSING KIT

| <u>Keys</u> | <u>Parts Number</u> | <u>Description</u> | <u>Qty</u> |
|-------------|---------------------|-------------------------------------|------------|
| 1 | 364-81-00-000 | Fan & Housing Assy Complete | 1 |
| 2 | 364-81-01-000 | Fan Housing w/o Flange | 1 |
| 3 | 364-81-02-000 | Housing Inlet Flange Assy | 1 |
| 4 | 364-41-00-000 | P T O Holder Assy | 1 |
| 5 | 364-62-00-000 | Drain Plug Kit | 1 |
| 6 | 364-31-00-000 | Hose Tube Assy "6" | 1 |
| 7 | 358-92-01-000 | Hose Tube Assy "8" | 1 |
| 8 | 364-82-00-000 | Flanged Tank Outlet Assy | 1 |
| 9 | 364-65-00-000 | 540 Fan, Cover Plate & Bearing Kit | 1 |
| | 364-66-00-000 | 1000 Fan, Cover Plate & Bearing Kit | 1 |
| 10 | 364-67-00-000 | Cover plate assy | 1 |
| 11 | 364-61-00-000 | Bearing Holder Assy | 1 |
| 12 | 364-61-01-000 | Bearing holder assy w/caps | 1 |
| 13 | 364-72-00-000 | 540 fan shaft & agitator assy | 1 |
| | 364-73-00-000 | 1000 fan shaft & agitator assy | 1 |
| 14 | 364-01-03-018 | Housing Band | 1 |
| 15 | 364-01-03-019 | Housing flange | 1 |
| 16 | 364-01-03-106 | Housing back plate | 1 |
| 17 | 364-01-03-081 | Fan housing vertical pc | 1 |
| 18 | 364-01-03-376 | Discharge Ring - 6" | 2 |
| 19 | 364-01-03-063 | Discharge tube | 1 |
| 20 | 364-41-00-133 | PTO holder bracket | 1 |
| 21 | 364-41-00-132 | PTO holder | 1 |
| 22 | 364-81-02-393 | Flange | 2 |
| 23 | 364-81-02-394 | Inlet extension | 2 |
| 24 | 364-82-00-395 | RH outlet side pc | 1 |
| 25 | 364-82-00-396 | LH outlet side pc | 1 |
| 26 | 364-01-03-104 | Outlet Top Pc | 1 |
| 27 | 364-01-03-105 | Outlet bottom pc | 1 |
| 28 | 358-92-01-301 | Discharge ring | 1 |
| 29 | 358-92-01-302 | Discharge tube | 1 |
| 30 | 364-01-03-156 | Housing Band Aid | 1 |
| 31 | 364-00-00-029 | Flip guard | 1 |
| 32 | 364-67-00-211 | Cover plate | 1 |
| 33 | 364-61-00-192 | Seal tube back plate | 1 |
| 34 | 364-61-00-197 | R H Flip Guard Bracket | 1 |
| 35 | 364-61-00-198 | LH flip guard bracket | 1 |
| 36 | 364-61-00-191 | Bearing tube | 1 |
| 37 | 364-61-00-193 | Seal tube gusset | 2 |
| 38 | 364-00-00-332 | Seal Tube Cap | 1 |
| 39 | 364-72-00-226 | Fan shaft | 1 |
| 40 | 364-63-00-209 | Impeller back plate | 1 |
| 41 | 364-63-00-208 | 540 r p m fan blade | 4 |
| | 364-64-00-210 | 1000 R P M Fan Blade | 4 |
| 42 | 364-03-00-024 | Gusset | 4 |
| 43 | 364-72-00-227 | Agitator blades | 3 |
| 44 | 364-00-00-212 | Stake nut | 1 |
| 45 | R20238 | Hardened Sleeve | 1 |
| 46 | R08175 | 5/16 - 18 u n c x 1 3/4 cap screw | 2 |
| 47 | R21196 | Seal - 1.5 x 2.835 x .313 | 1 |
| 48 | R20115 | Cone | 2 |
| 49 | R20113 | Cup | 2 |

FAN & HOUSING KIT CONTINUED

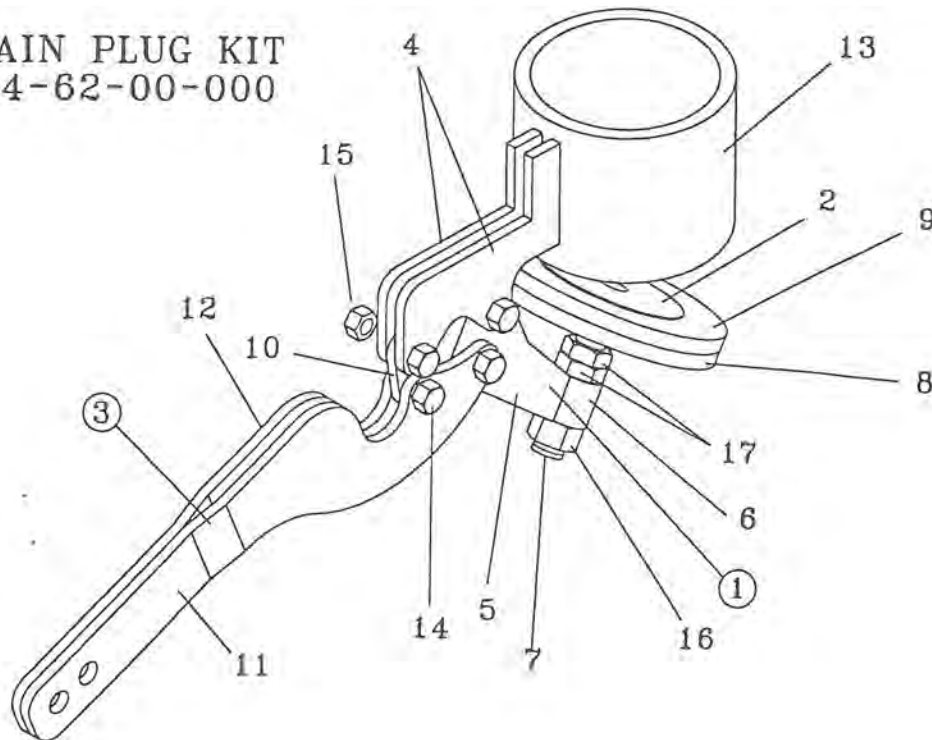
| <u>Keys</u> | <u>Parts Number</u> | <u>Description</u> | <u>Qty</u> |
|-------------|---------------------|---------------------------------------|------------|
| 50 | R21197 | Seal 2 1/2 x 3 x 1/4 | 3 |
| 51 | R08188 | 1/4" N p t grease fitting | 1 |
| 52 | R09787 | "Grease" decal | 1 |
| 53 | R04100 | Silicone Sealant | 1 |
| 54 | R07879 | 7/16" flange nut | 4 |
| 55 | R07774 | 7/16 x 1 1/4 carriage bolt gr.5 black | 4 |
| 56 | R07671 | 7/16 x 1 1/4 hex bolt | 8 |
| 57 | R07784 | 7/16 Hex Nut | 8 |
| 58 | R07804 | 7/16 lock washer | 8 |
| 59 | R09785 | "Danger" decal | 1 |
| 60 | R07619 | 3/8 x 1 hex bolt | 7 |
| 61 | R07886 | 3/8 Lock Nut | 2 |
| 62 | R07803 | 3/8 lock washer | 5 |
| 63 | R07783 | 3/8 hex nut | 5 |
| 64 | R07785 | 1/2" hex nut | 16 |
| 65 | R07664 | 1/2 X 1 1/4 Hex Bolt | 16 |
| 66 | R07805 | 1/2" lock washer | 16 |



DRAIN PLUG KIT

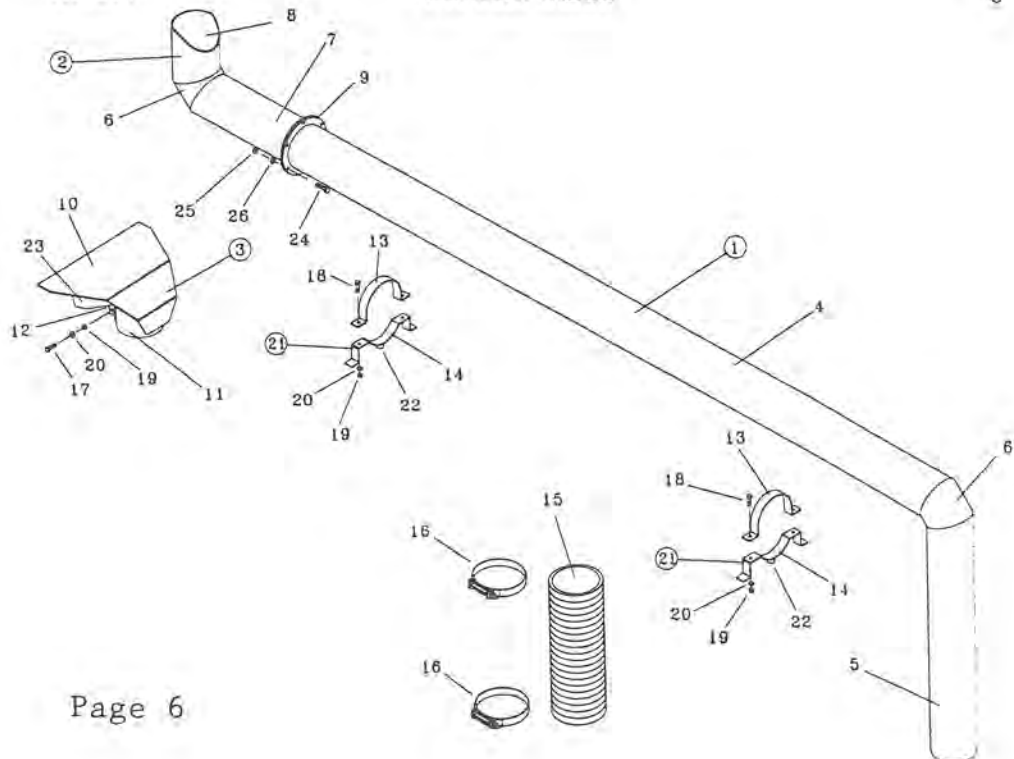
| <u>Keys</u> | <u>Parts Number</u> | <u>Description</u> | <u>Qty</u> |
|-------------|---------------------|----------------------------------|------------|
| 1 | 364-62-01-000 | Drain Plug Sleeve Assy | 1 |
| 2 | 364-62-04-370 | Plug Washer | 1 |
| 3 | 364-62-03-000 | Handle Assy | 1 |
| 4 | 364-62-00-199 | Housing Brkt | 2 |
| 5 | 364-62-01-200 | Sleeve Linkage | 1 |
| 6 | 364-62-01-201 | Sleeve | 1 |
| 7 | R08316 | 1/2 x 3 1/2 Full Thread Car Bolt | 1 |
| 8 | 364-62-02-203 | Plug Plate | 1 |
| 9 | 364-62-02-204 | Plug Rubber | 1 |
| 10 | 364-62-00-205 | Short Linkage | 1 |
| 11 | 364-62-03-206 | LH Handle | 1 |
| 12 | 364-62-03-207 | Rh Handle | 1 |
| 13 | 364-01-03-110 | Drain Pipe | 1 |
| 14 | R08176 | 1/4-20 UNC x 7/8 Short Thrd Bolt | 4 |
| 15 | R08048 | 1/4-20 Lock Nut | 4 |
| 16 | R07885 | 1/2-13 Unc Hex Nyloc Nut | 1 |
| 17 | R08046 | 1/2-13 UNC Jam Nut | 3 |

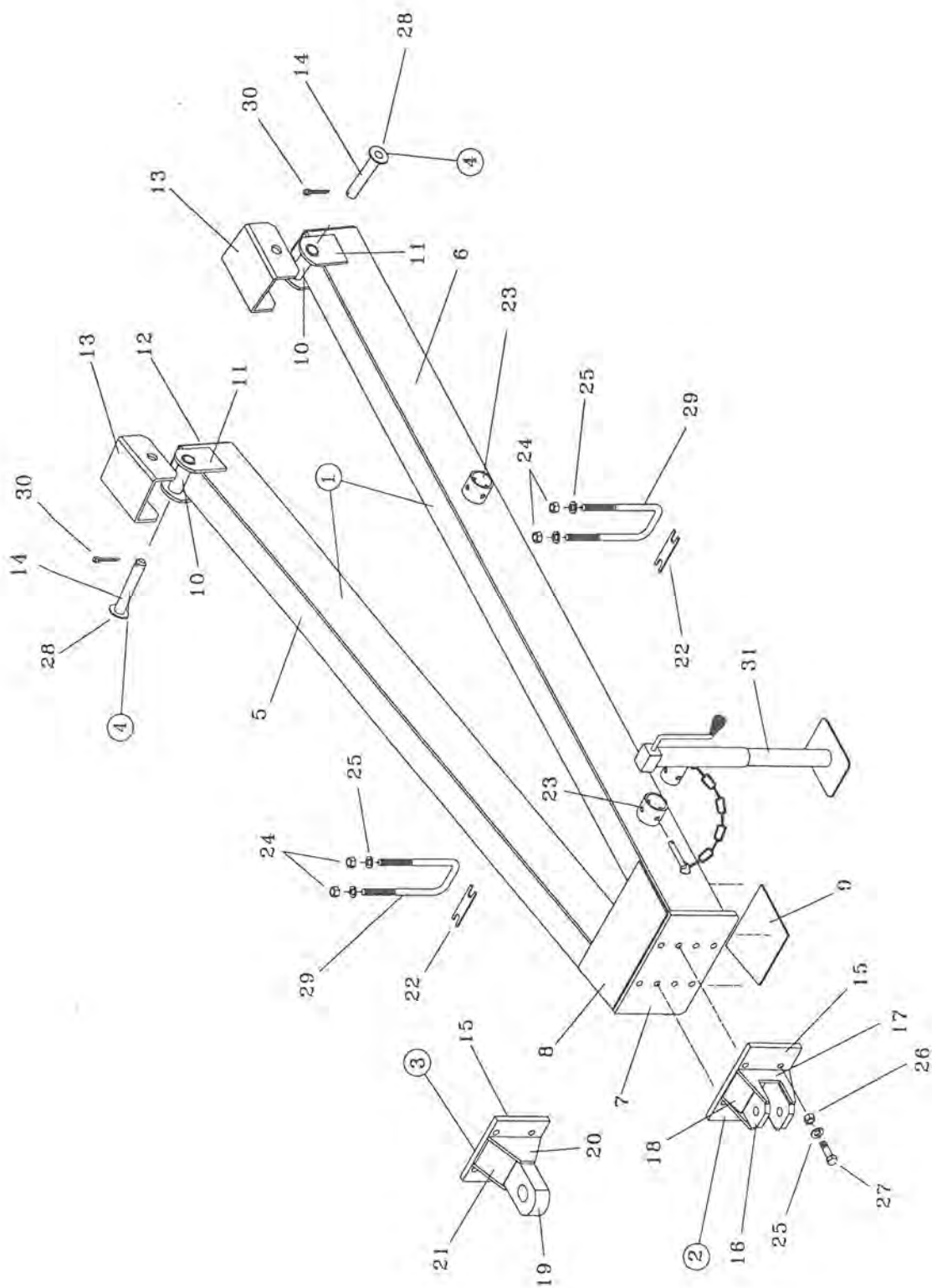
DRAIN PLUG KIT 364-62-00-000



DISCHARGE PIPE ASSEMBLY

| <u>Keys</u> | <u>Parts Number</u> | <u>Description</u> | <u>Qty</u> |
|-------------|---------------------|---|------------|
| 1 | 364-19-00-000 | Discharge Pipe Assembly - 14000L | 1 |
| | 359-30-00-000 | Discharge Pipe Assembly - 15000L | 1 |
| | 362-59-00-000 | Discharge Pipe Assembly - 9000L & 12000L | 1 |
| | 362-20-00-000 | Discharge Pipe Assembly - 7000L | 1 |
| 2 | 364-25-00-000 | Discharge Pipe End Section | 1 |
| 3 | 364-68-00-000 | Splash Plate Assembly | 1 |
| 4 | 364-19-00-065 | Horizontal Discharge Pipe - 9, 12, & 14000L | 1 |
| | 359-30-00-108 | Horizontal Discharge Pipe - 15000L | 1 |
| 5 | 362-20-00-068 | Horizontal Discharge Pipe - 7000L | 1 |
| | 364-19-00-064 | Vertical Discharge Pipe 14, & 15000L | 1 |
| | 364-20-00-184 | Vertical Discharge Pipe 7, 9 & 12000L | 1 |
| 6 | 364-19-00-082 | Discharge Pipe Corner Piece | 2 |
| 7 | 364-25-00-088 | Discharge Pipe Flange Piece | 1 |
| 8 | 364-25-00-067 | Discharge Pipe End Piece | 1 |
| 9 | 364-19-00-087 | Discharge Pipe Flange | 2 |
| 10 | 364-21-00-069 | Splash Plate | 1 |
| 11 | 364-68-00-215 | Clamping Tube | 1 |
| 12 | 364-21-00-071 | Clamping Tube Bracket | 2 |
| 13 | 364-00-00-083 | Discharge Clamp Upper Piece | 2 |
| 14 | 364-50-00-084 | Discharge Clamp Base Piece | 2 |
| 15 | 364-00-00-066 | Flex Hose | 1 |
| 16 | R02482 | 6" Clamp | 2 |
| 17 | R07622 | 3/8 x 2 1/2 Hex Bolt | 2 |
| 18 | R07675 | 3/8 x 1 1/4 Hex Bolt | 4 |
| 19 | R07783 | 3/8 Hex Nut | 6 |
| 20 | R07803 | 3/8 Lock Washer | 6 |
| 21 | 364-50-00-000 | Discharge Clamp Base Assy. | 2 |
| 22 | 364-50-00-165 | Discharge Clamp Spacer | 2 |
| 23 | 364-21-00-224 | Splash Plate Wing | 2 |
| 24 | R07671 | 7/16 x 1 1/4 Hex Bolt | 6 |
| 25 | R07784 | 7/16 Hex Nut | 6 |
| 26 | R07804 | 7/16 Lock Washer | 6 |

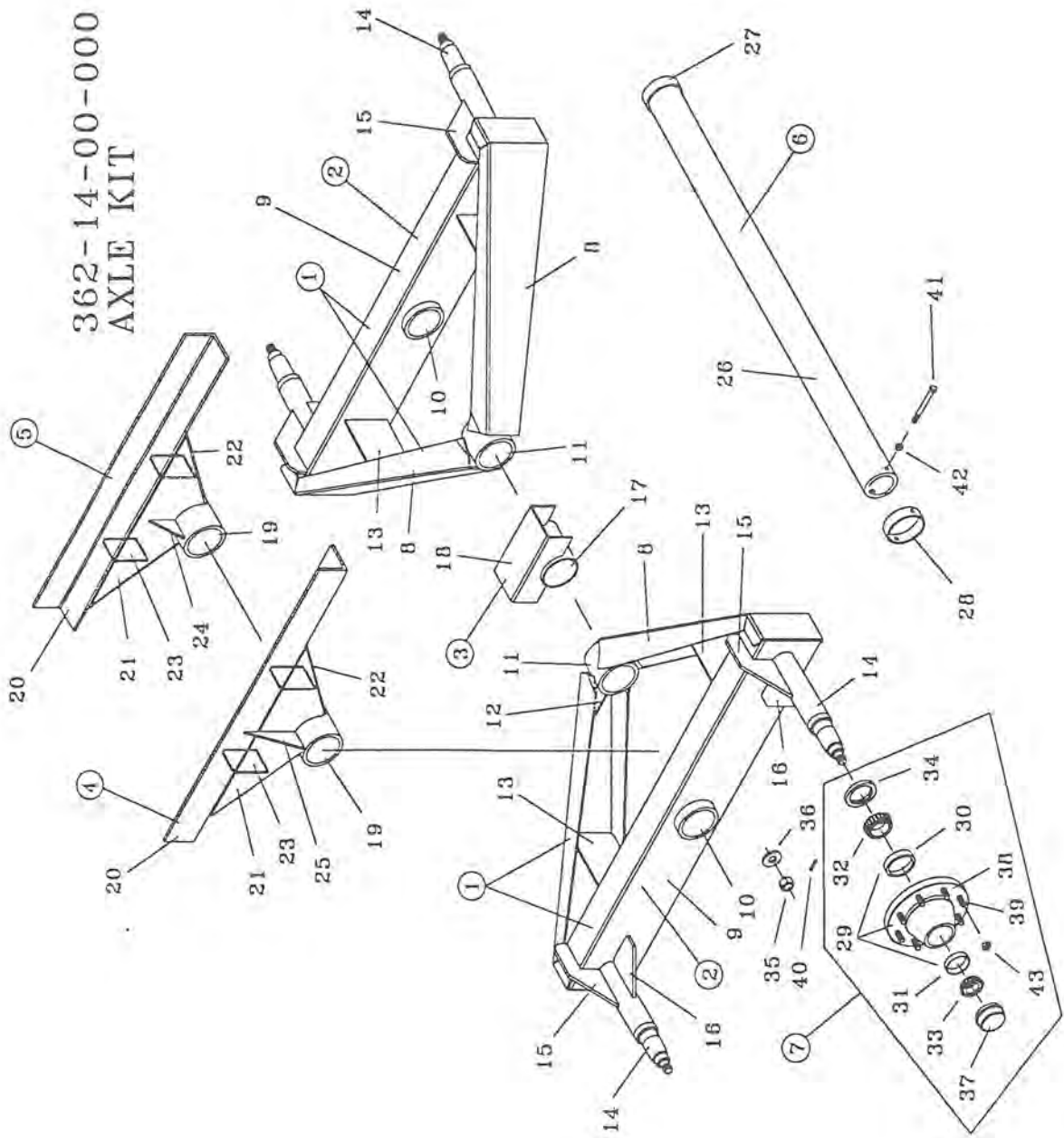




TONGUE AND HITCH

| <u>Keys</u> | <u>Parts Number</u> | <u>Description</u> | <u>Qty</u> |
|-------------|---------------------|-----------------------------|------------|
| 1 | 364-35-00-000 | Tongue Assembly | 1 |
| 2 | 364-05-00-000 | Std. Hitch Assembly | 1 |
| 3 | 364-26-00-000 | Single Point Hitch Assembly | * |
| 4 | 315-39-00-000 | Lock Pin Assembly | 2 |
| 5 | 364-35-00-115 | RH Tongue Tube | 1 |
| 6 | 364-35-00-116 | LH Tongue Tube | 1 |
| 7 | 364-35-00-117 | Hitch Bolt Plate | 1 |
| 8 | 364-35-00-118 | Tongue Tube Upper Gasket | 1 |
| 9 | 364-35-00-119 | Tongue Tube Lower Gusset | 1 |
| 10 | 315-36-00-145 | Bushing | 2 |
| 11 | 315-36-00-146 | Side Piece | 4 |
| 12 | 315-36-00-147 | Tongue Tube End Cap | 2 |
| 13 | 315-31-00-115 | Tongue "U" Piece | 2 |
| 14 | 315-39-00-155 | Lock Pin | 2 |
| 15 | 364-05-00-030 | Hitch Back Plate | 1 |
| 16 | 364-05-00-031 | Hitch Plate | 2 |
| 17 | 364-05-00-032 | Hitch Side Gusset | 2 |
| 18 | 364-05-00-033 | Hitch Upper Gusset | 2 |
| 19 | 364-26-00-091 | Single Point Hitch | 1 |
| 20 | 364-26-00-092 | Single Point Hitch Gusset | 2 |
| 21 | 364-26-00-093 | Hitch Upper & Lower Gusset | 2 |
| 22 | 364-00-00-131 | U Bolt Spacer | 2 |
| 23 | 364-35-00-245 | Tongue Jack Storage Bracket | 2 |
| 24 | R07820 | 3/4 NF Hex Nut | 4 |
| 25 | R07807 | 3/4 Lock Washer | 8 |
| 26 | R07787 | 3/4 Hex Nut | 4 |
| 27 | R07655 | 3/4 x 2 1/2 Hex Bolt | 4 |
| 28 | R07828 | 1 Flat Washer | 2 |
| 29 | R08172 | 3/4 NF x 10 U Bolt | 2 |
| 30 | R08016 | 1/4 x 2 Cotter Pin | 2 |
| 31 | R09751 | 7000 Lb Side Wind Jack | 1 |

362-14-00-000
AXLE KIT

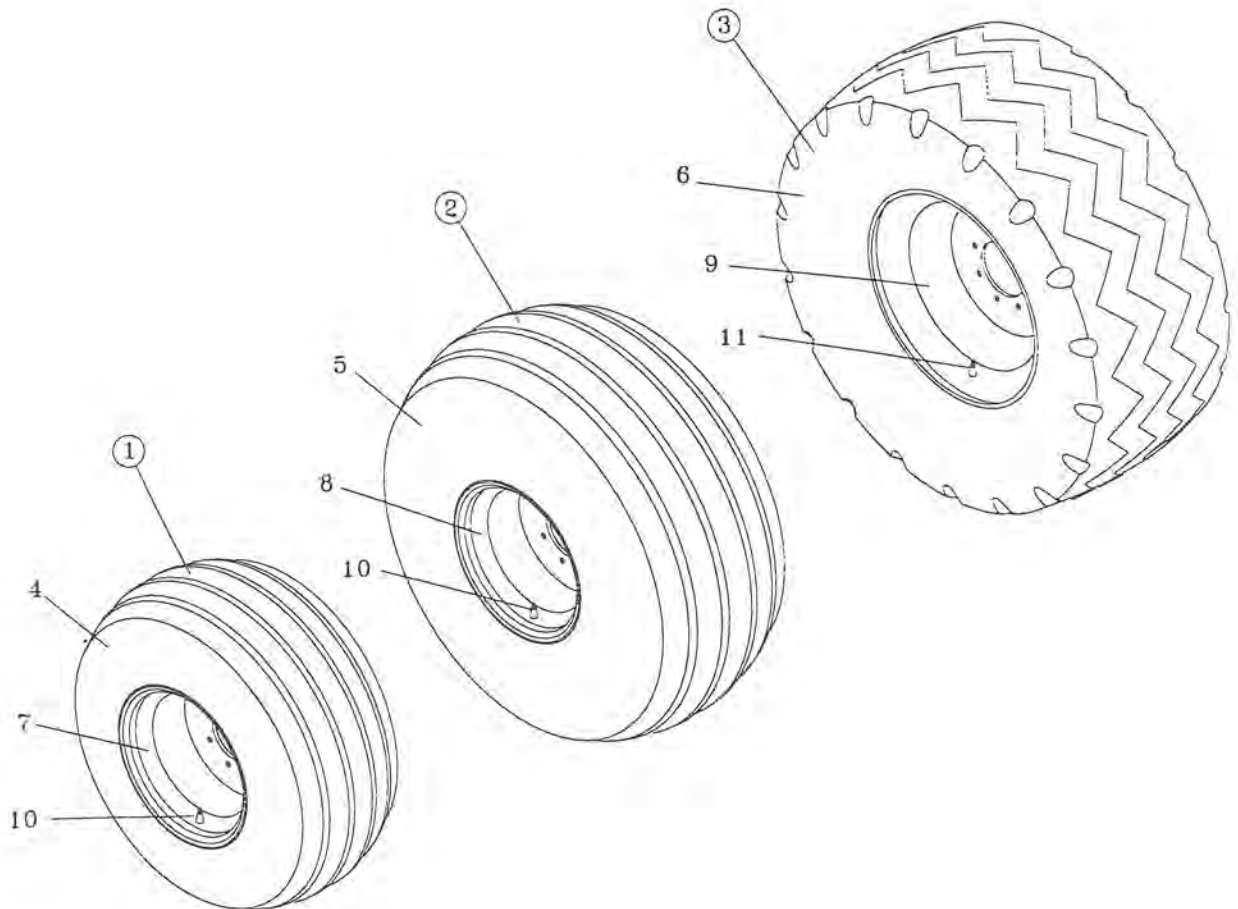


362-14-00-000 AXLE KIT

| <u>KEYS</u> | <u>PARTS NUMBER</u> | <u>DESCRIPTION</u> | <u>QTY</u> |
|-------------|---------------------|-----------------------------|------------|
| 1 | 362-14-14-000 | Tandem Side Assy. | 2 |
| 2 | 362-14-10-000 | Walking Beam Assy. | 2 |
| 3 | 315-34-00-000 | Tandem Centre Yoke Assy. | 1 |
| 4 | 315-35-00-000 | Axle Pivot Assy. RH. | 1 |
| 5 | 315-02-00-000 | Axle Pivot Assy. LH. | 1 |
| 6 | 315-04-00-000 | Axle Tube Assy. | 1 |
| 7 | 300-27-00-000 | 8 - Bolt Hub Assy. Complete | 4 |
| 8 | 315-33-00-124 | Tandem Side Arm | 4 |
| 9 | 362-14-10-055 | Walking Beam | 2 |
| 10 | 315-33-00-127 | Rocker Sleeve - Outer | 2 |
| 11 | 315-33-00-120 | Rocker Sleeve - Inner | 2 |
| 12 | 315-33-00-126 | Centre Gusset | 4 |
| 13 | 315-33-00-125 | Stiffener Plate | 4 |
| 14 | 362-14-10-056 | Spindle | 4 |
| 15 | 362-10-10-080 | Gusset | 4 |
| 16 | 315-33-00-122 | Spindle Gusset | 4 |
| 17 | 315-34-00-128 | Spacer Sleeve | 1 |
| 18 | 315-34-00-129 | Centre Yoke | 1 |
| 19 | 315-35-00-130 | Stationary Sleeve | 2 |
| 20 | 315-35-00-131 | Sill Angle Plate | 2 |
| 21 | 315-35-00-132 | Axle Side Plate | 4 |
| 22 | 315-35-00-133 | Cover Strip | 4 |
| 23 | 315-35-00-134 | Inner Support Plate | 4 |
| 24 | 315-35-00-135 | Pivot Inner Gusset | 2 |
| 25 | 315-35-00-166 | Pivot Outer Gusset | 2 |
| 26 | 315-04-00-530 | Axle Tube | 1 |
| 27 | 330-08-00-528 | Stop Ring | 1 |
| 28 | 315-00-00-137 | Axle Retaining Ring | 1 |
| 29 | R20125 | 8 Bolt Hub with Cups | 4 |
| 30 | R20112 | Inner Cup | 4 |
| 31 | R20113 | Outer Cup | 4 |
| 32 | R20114 | Inner Cone | 4 |
| 33 | R20115 | Outer Cone | 4 |
| 34 | R20116 | Hub Seal | 4 |
| 35 | R20117 | Spindle Nut | 4 |
| 36 | R20118 | Spindle Washer | 4 |
| 37 | R20119 | Dust Cap | 4 |
| 38 | R20126 | 8 Bolt Hub Less Cups | 4 |
| 39 | R20124 | 5/8- 18 Splined Wheel Bolt | 32 |
| 40 | R07943 | 3/16 x 1 1/2 Roll Pin | 4 |
| 41 | R07644 | 1/2 x 5 UNC Bolt | 1 |
| 42 | R07785 | 1/2 Hex Nut | 1 |
| 43 | R20111 | 5/8 - 18 Tapered Wheel Nut | 32 |

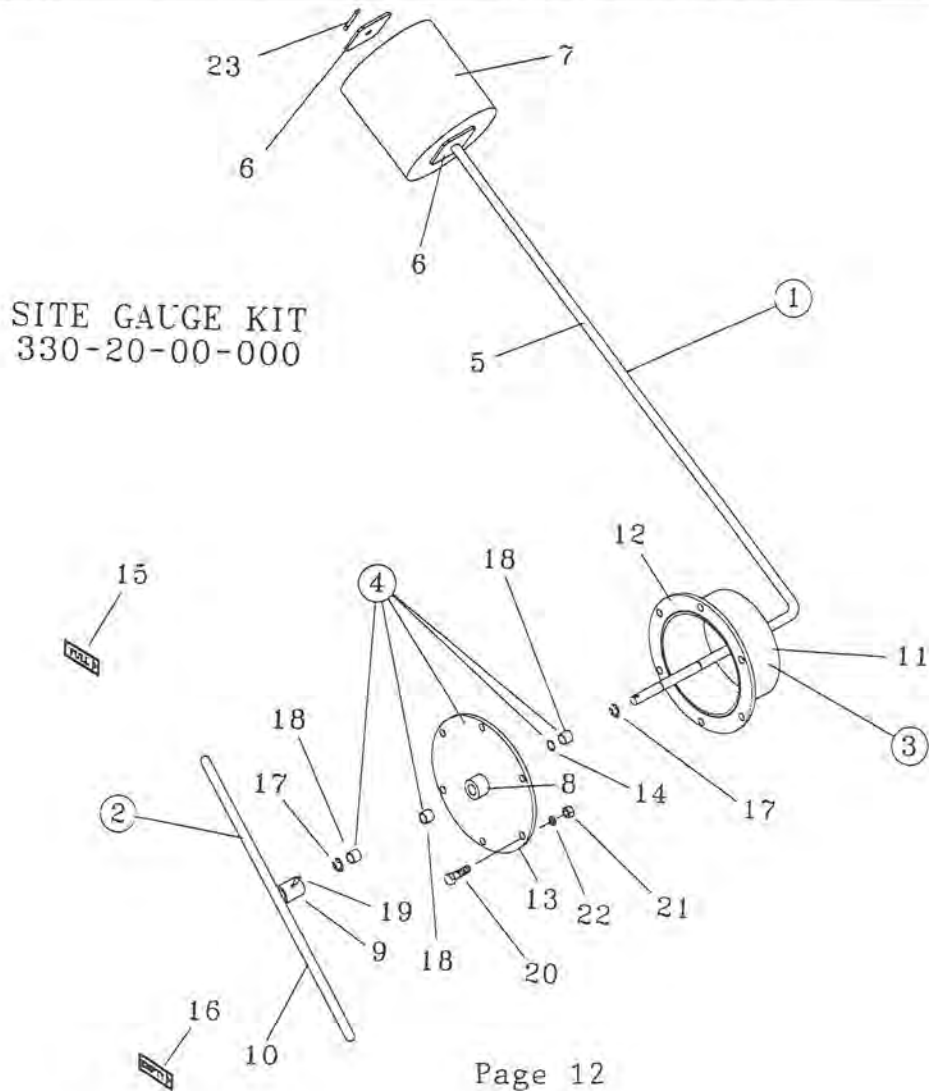
TIRE & WHEEL ASSEMBLY

| <u>Keys</u> | <u>Parts Number</u> | <u>Description</u> | <u>Qty</u> |
|-------------|---------------------|--|------------|
| 1 | 300-26-00-000 | 16.5 x 16.1 Tire and Wheel Assy. | 4 |
| 2 | 325-64-00-000 | 21.5 x 16.1 Tire and Wheel, 8 Bolt, 10 Ply | * |
| 3 | 340-55-00-000 | 18 x 22.5 Truck Tire, &W 8 Bolt | * |
| 4 | R20004 | 16.5 x 16.1 Implement Tire | 4 |
| 5 | R20005 | 21.5 x 16.1 Implement Tire 10 Ply | * |
| 6 | R20011 | 18 x 22.5 Used Truck Tire | * |
| 7 | R20073 | 16.1 Wheel for 16.5 Tire 8 Bolt | 4 |
| 8 | R20074 | 16.1 Wheel for 21.5 Tire 8 Bolt | * |
| 9 | R20058 | 13.5 Wheel For 18" Truck Tire 8 Bolt | * |
| 10 | R20020 | Valve Stem | 4 |
| 11 | R20050 | Valve Stem | 1 |
| 12 | R20024 | Repair Tube For 16.5 Tire (Not Shown) | * |
| 13 | R20025 | Repair Tube For 21.5 Tire (Not Shown) | * |



SIGHT GAUGE KIT

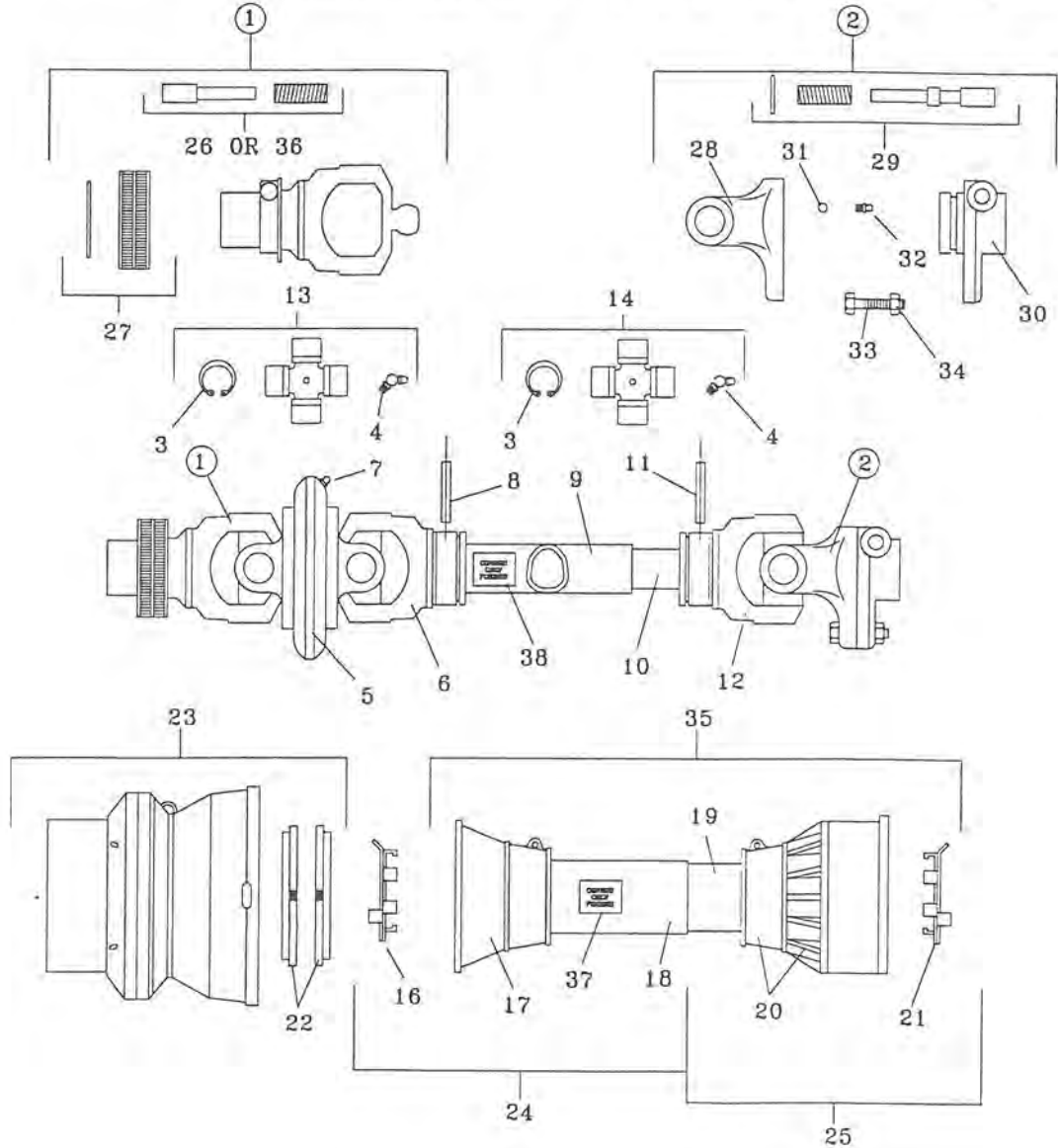
| <u>Keys</u> | <u>Parts Number</u> | <u>Description</u> | <u>Qty</u> |
|-------------|---------------------|--|------------|
| 1 | 330-20-01-000 | Float Arm Assy | 1 |
| 2 | 330-20-02-000 | Indicator Arm Assy | 1 |
| 3 | 330-20-03-000 | Access Tube Assy | 1 |
| 4 | 330-20-04-000 | Cover Plate Assy | 1 |
| 5 | 330-20-01-551 | Float Arm | 1 |
| 6 | 330-93-30-378 | Float Straps | 2 |
| 7 | 330-93-00-375 | Float | 1 |
| 8 | 330-20-04-562 | Bronze Bearing Holder | 1 |
| 9 | 330-20-02-553 | Indicator Arm Hub | 1 |
| 10 | 330-20-02-554 | Indicator Arm | 1 |
| 11 | 330-20-03-556 | Access Tube | 1 |
| 12 | 330-20-03-560 | Access Tube Flange | 1 |
| 13 | 330-20-00-557 | Cover Plate | 1 |
| 14 | R20865 | 1/2 x 5/8 x 1/16" O Ring | 1 |
| 15 | R09529 | "Full" Decal | 1 |
| 16 | R09530 | "Empty" Decal | 1 |
| 17 | R07974 | External Retaining Ring | 2 |
| 18 | R21173 | 1/2 x 5/8 x 1/2" Bronze Bushing | 3 |
| 19 | R08241 | 3/16 x 1 Stainless Steel Roll Pin | 1 |
| 20 | R07675 | 3/8 x 1 1/4" Hex Bolt | 6 |
| 21 | R07783 | 3/8" Hex Nut | 6 |
| 22 | R07803 | 3/8" Lock Washer | 6 |
| 23 | R08207 | 5/32 x 1 1/2" Stainless Steel Cotter Pin | 1 |



BONDIOLI AND PAVESI PTO

C/W 80° CV JOINT

R21592-540 RPM 1 3/8" 6 TOOTH SPLINE
 R21593-1000 RPM 1 3/8" 21 TOOTH SPLINE
 R21585-1000 RPM 1 3/4" 20 TOOTH SPLINE



80 DEG. BONDIOLI AND PAVESI CV PTO - R21592 540 RPM 6 TOOTH

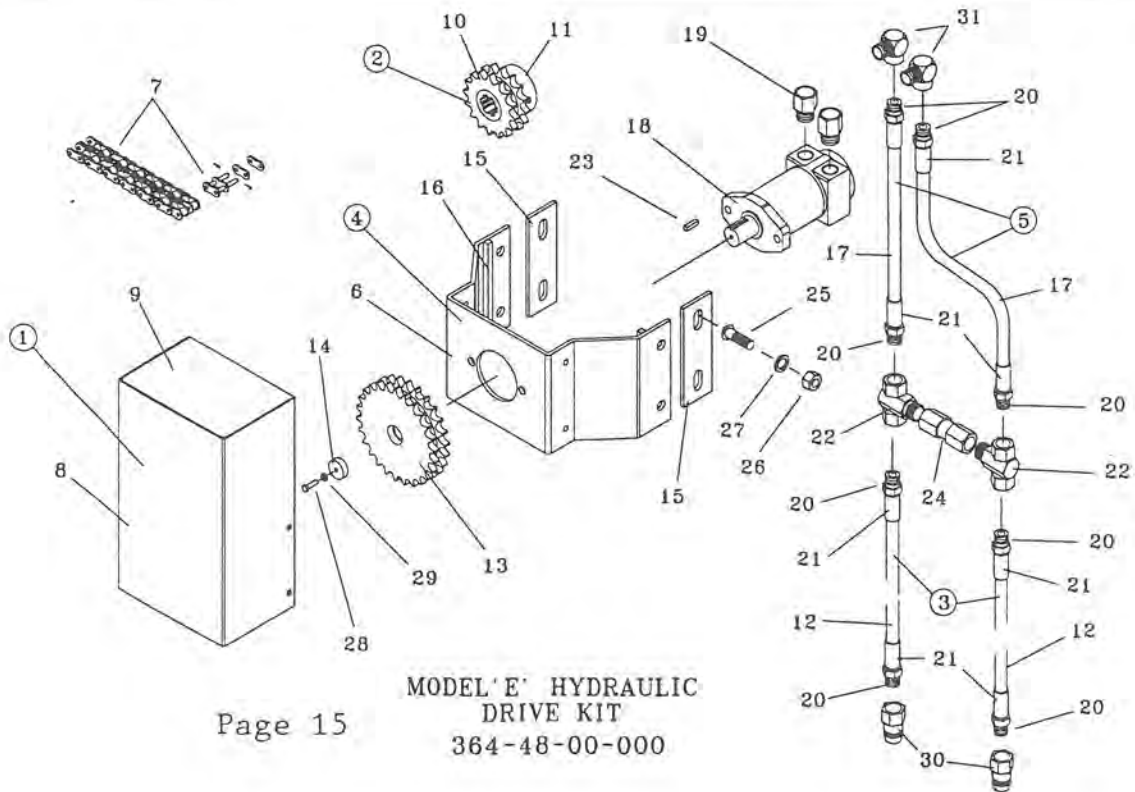
- R21593 1000 RPM 21 TOOTH

- R21585 1000 RPM 20 TOOTH

| <u>Keys</u> | <u>Mfg #</u> | <u>Part #</u> | <u>Description</u> | <u>Qty</u> |
|-------------|--------------|---------------|------------------------------------|------------|
| 1 | | R21712 | 1 3/4" - 20 T Yoke | 1 |
| | 573040375 | R21681 | Yoke w/ Bridge 540 RPM | 1 |
| | 573043775 | R21680 | Yoke w/ Bridge 1000 RPM | |
| 2 | 606404001 | R21473 | Torque Lim SB 4/4 | 1 * |
| 3 | 338009000 | R21613 | Circlip | 8 |
| 4 | 348004000 | R21655 | Grease Nipple | 3 |
| 5 | 511040051 | R21685 | Central Body | 1 |
| 6 | 215046854 | R21686 | Yoke | 1 |
| 7 | 348017000 | R21687 | Grease Nipple | 1 |
| 8 | 341038000 | R21475 | Flexible Pin | 1 * |
| 9 | 225310630 | R21689 | Cardan Tube | 1 |
| 10 | 245100630 | R21690 | Cardan Tube CM | 1 |
| 11 | 341048000 | R21476 | Flexible Pin | 1 * |
| 12 | 204046852 | R21472 | Inner Tube Yoke | 1 * |
| 13 | 412040012 | R21682 | Cross Journal Assy | 2 |
| 14 | 41204 | R21693 | Cross Journal Assy | 1 |
| 15 | 338017000 | R21694 | Circlip | 4 |
| 16 | 255040005 | R21696 | O. Bearing 3-4 | 1 * |
| 17 | 254040024 | R21697 | O. Basic Cones N3-4 | 1 |
| 18 | 236680577 | R21698 | CM Safety Tube | 1 |
| 19 | 236670577 | R21699 | CM Safety Tube | 1 |
| 20 | 517040061 | R21700 | I. Cone Set N3-4 | 1 |
| 21 | 255040006 | R21701 | I. Bearing 3-4 | 1 * |
| 22 | 255040351 | R21702 | Ring Nut Dowels | 1 |
| 23 | 517048001 | R21703 | Complete Shell | 1 |
| 24 | 5NE4078W1654 | R21709 | Half Safety Guard | 1 |
| 25 | 5NI40788NN | R21710 | Half Safety Guard | 1 |
| 26 | 403000001 | R21669 | Complete Push Button | 1 ~ |
| 27 | 240080061 | R21670 | Hub | 1 ~ |
| 28 | 213040020 | R21704 | Shear Yoke | 1 |
| 29 | 401000001 | R21451 | Complete Push Button | 1~* |
| 30 | 513070324 | R21706 | Hub c/w Quick Disconnect | 1 |
| 31 | 362002000 | R21705 | 1/4" Ball | 23 |
| 32 | 348012000 | R21672 | Grease Nipple | 1 |
| 33 | 432000047 | R08251 | M8 1.25 x 45 Bolt | 1 |
| 34 | | R08252 | M8 1.25 x Lock Nut | 1 |
| 35 | 5N04078W1654 | R21711 | Safety Guard | 1 |
| 36 | 403000011 | R21735 | Push Pin for 1 3/4 - 20 T Turnlock | |
| 37 | | R21521 | "Warning" Decal | 1 |
| 38 | | R21523 | "Shield Missing" Decal | 1 |

364-48-00-000 MODEL "E" HYDRAULIC DRIVE KIT

| <u>Keys</u> | <u>Parts Number</u> | <u>Description</u> | <u>Qty</u> |
|-------------|---------------------|--|------------|
| 1 | 364-48-22-000 | Guard Assembly | 1 |
| 2 | 364-48-23-000 | Fan Shaft Sprocket Assy | 1 |
| 3 | 364-48-24-000 | Hydraulic Hose Assy - To Tractor | 2 |
| 4 | 364-48-31-000 | Motor Mount Assembly | 1 |
| 5 | 364-48-32-000 | Hydraulic Hose Assy - Motor To Chk Valve | 2 |
| 6 | 364-48-31-157 | Hydraulic Motor Mount | 1 |
| 7 | 364-48-00-158 | #60 Double Roller Chain w/ Conn | 1 |
| 8 | 364-48-22-159 | Guard Body | 1 |
| 9 | 364-48-22-160 | Guard Cap | 1 |
| 10 | 364-48-23-161 | Fan Shaft Sprocket #D60B16 | 1 |
| 11 | 364-48-23-162 | Spline Adaptor | 1 |
| 12 | 364-48-24-163 | 3/4" Hydraulic Hose | 2 |
| 13 | 364-48-00-166 | Motor Sprocket #D60B26 | 1 |
| 14 | 364-48-00-167 | Plug | 1 |
| 15 | 364-48-00-185 | Motor Mount Bracket | 2 |
| 16 | 364-48-31-186 | Guide Bar | 2 |
| 17 | 364-48-32-187 | 3/4" Hydraulic Hose | 2 |
| 18 | R21346 | 110 Series Nichols - Gray Hyd Motor | 1 |
| 19 | R20815 | 7/8-14 M x 3/4 Adaptor | 2 |
| 20 | R21241 | 3/4" Male Solid Stem | 8 |
| 21 | R20824 | 3/4" Ferrule | 8 |
| 22 | R21393 | 3/4" NPT Hyd Swivel Tee | 2 |
| 23 | R11114 | Key | 1 |
| 24 | R21202 | 3/4" NPT In Line Check Valve | 1 |
| 25 | R07753 | 5/8 x 1 1/2 Carriage Bolt | 4 |
| 26 | R07786 | 5/8 Hex Nut | 4 |
| 27 | R07806 | 5/8 Lock Washer | 4 |
| 28 | R07603 | 1/4 x 1 1/2 Hex Bolt | 1 |
| 29 | R07801 | 1/4" Lock Washer | 1 |
| 30 | R21338 | 3/4" Pioneer Tip | 2 |
| 31 | R21368 | 3/4" Hydraulic Street Elbow | 2 |



HUSKY FARM EQUIPMENT LIMITED

ALMA, ON N0B 1A0

PHONE: (519) 846 - 5329

FAX: (519) 846 - 9378

5 YEAR AXLE WARRANTY

Husky Farm Equipment Limited will guarantee for 5 years from date of invoice, all Manure Spreader undercarriages and axle assemblies, if used on a farm for farm purposes.

Husky will replace free of charge:

1. Any part of the axle which should break or collapse through overload.
2. Any spindles or hub which should break.
3. Any wheel and rim assemblies which should fail.

Exempt from extended warranty are:

1. Bearings and tires which are covered under normal warranty and do require maintenance to avoid failure.
2. Spindles damaged through bearing failure.
3. Wheel or rim damage resulting from owner failing to keep wheel bolts tight.
4. 23000 Litre (6000 US Gal) is not covered because it is custom built.

To qualify for extended warranty, damaged parts must be returned to Husky Farm Equipment Limited, prepaid, along with serial number and copy of the original invoice.

All parts supplied by Husky on warranty, will be shipped freight collect. Extended warranty covers damaged parts only and does not cause liability on Husky for any damage resulting from such failure.

TEN YEAR WARRANTY AGAINST RUSTOUT

Husky Farm Equipment provides a 10 year warranty against premature perforation (rustout) of any liquid manure spreader manufactured later than Jan. 1987. Providing the manure spreader is used for manure or sludge and not for chemical products.

Extended warranty is pro rated and will be paid only through the crediting off of the then current list price of a replacement manure spreader that portion of the warranty not used up in time.

Warranty will be effective toward replacing spreader only and no cash payments will be made. It will be understood that the original equipment to be replaced will then become the property of Husky Farm Equipment.

This extended warranty will be effective through Husky Farm Equipment factory or factory outlet only, copy of the original invoice to be supplied along with the serial number. This warranty will not be effective for commercial custom haulers or to owners other than the original.

Transportation to and from the factory to be paid for by the owner of the equipment and not by Husky Farm Equipment.

