

DATE PURCHASED _____ MACHINE SERIAL NO. _____

*office copy
Aug 29/90
20 med
July 23/91
10 med*

OPTIONS _____

PLEASE NOTE:

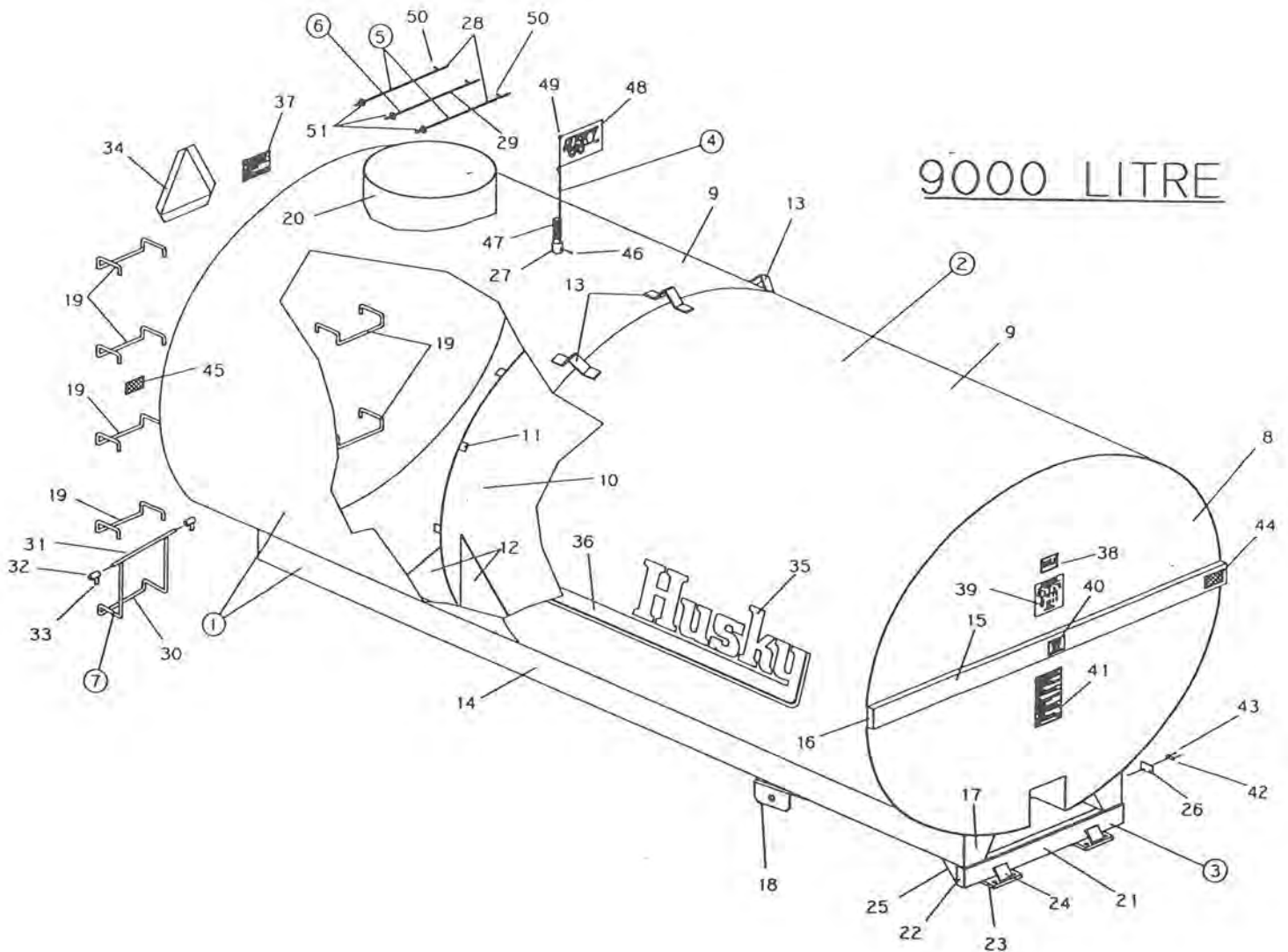
The key number system in this parts book is arranged as follows:

- 0 --Key number with one circle denotes main assemblies
- Key numbers not circled are individual parts

Please order parts by number

MODEL "E"
9000 LITRE OVAL
HUSKY LIQUID MANURE SPREADER

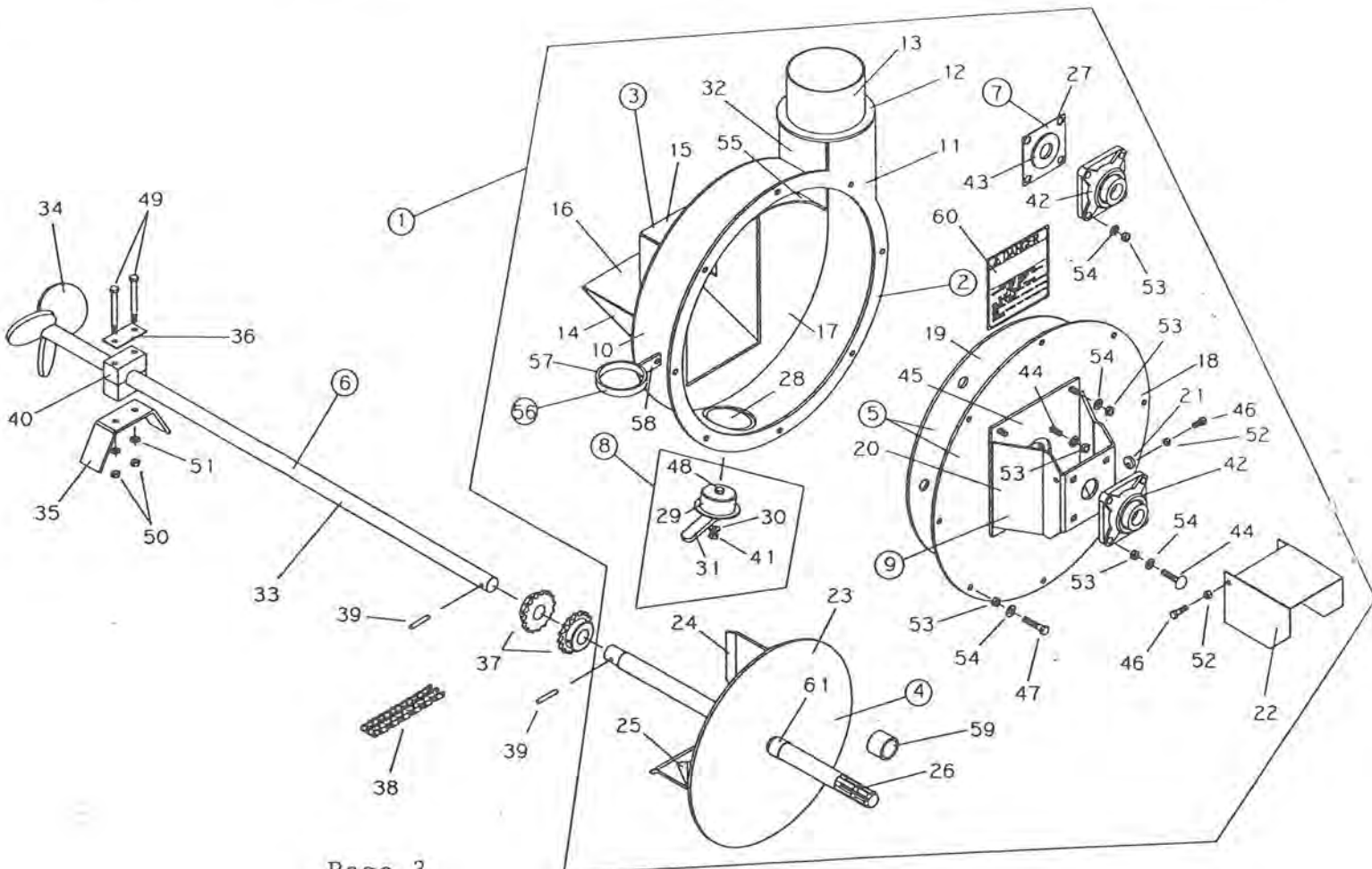
| KEY | PART NUMBER | DESCRIPTION | QTY |
|-----|---------------|------------------------------|-----|
| 1 | 362-13-00-000 | 9000L TANK & SILL ASSY | 1 |
| 2 | 321-01-01-000 | 9000L TANK ASSY | 1 |
| 3 | 364-02-17-000 | CROSS MEMBER ASSY | 1 |
| 4 | 340-62-00-000 | HUSKY FLAG KIT | 1 |
| 5 | 364-47-00-000 | MANHOLE SAFETY BAR ASSY | 2 |
| 6 | 364-49-00-000 | LONG MANHOLE SAFETY BAR ASSY | 1 |
| 7 | 364-02-19-000 | LADDER BOTTOM RUNG ASSY | 1 |
| 8 | 321-01-01-380 | TANK END | 2 |
| 9 | 321-01-01-381 | TANK SHELL | 2 |
| 10 | 321-01-01-382 | BAFFLE | 1 |
| 11 | 300-01-00-016 | BAFFLE BRKT | 8 |
| 12 | 340-01-01-459 | BAFFLE GUSSET | 4 |



| <u>KEY</u> | <u>PART NUMBER</u> | <u>DESCRIPTION</u> | <u>QTY</u> |
|------------|--------------------|------------------------------|------------|
| 13 | 300-01-00-012 | TANK LIFT HOOK | 3 |
| 14 | 321-01-04-385 | SILL | 2 |
| 15 | 321-01-04-387 | TANK STIFFENER | 2 |
| 16 | 330-67-00-259 | STIFFENER CAP | 4 |
| ----- | | | |
| 17 | 321-01-04-386 | SILL CAP | 4 |
| 18 | 315-31-00-115 | TONGUE "U" PIECE | 2 |
| 19 | 364-02-00-008 | LADDER RUNG | 6 |
| 20 | 364-02-00-006 | MANHOLE | 1 |
| ----- | | | |
| 21 | 364-02-17-120 | CROSS MEMBER | 1 |
| 22 | 364-02-17-121 | END CAP | 2 |
| 23 | 364-02-17-122 | TONGUE STRAP | 2 |
| 24 | 364-02-17-123 | TONGUE STRAP GUSSET | 2 |
| ----- | | | |
| 25 | 364-02-17-128 | CROSS MEMBER GUSSET | 2 |
| 26 | 340-01-00-498 | SERIAL NUMBER PLATE | 1 |
| 27 | 340-00-00-536 | FLAG SPRING HOLDER | 1 |
| 28 | 364-47-00-155 | MANHOLE SAFETY BAR | 2 |
| ----- | | | |
| 29 | 364-49-00-164 | LONG SAFETY BAR | 1 |
| 30 | 364-02-19-151 | LADDER BOTTOM RUNG | 1 |
| 31 | 364-02-19-152 | LADDER TOP PC. | 1 |
| 32 | 364-02-00-153 | LADDER BRACKET | 2 |
| ----- | | | |
| 33 | 364-02-00-154 | LADDER SHIM | 2 |
| 34 | R09501 | SLOW MOVING VEHICLE SIGN | 1 |
| 35 | R09510 | HUSKY DECAL | 2 |
| 36 | R09511 | ACCENT STRIPE | 2 |
| ----- | | | |
| 37 | R09784 | "DANGER TOXIC GAS" DECAL | 1 |
| 38 | R09509 | "MADE IN CANADA" DECAL | 1 |
| 39 | R09730 | "TIRE PRESSURE" STICKER | |
| 40 | R09512 | "CAPACITY" STICKER | |
| ----- | | | |
| 41 | R09783 | "CAUTION" DECAL | 1 |
| 42 | R09071 | SERIAL NUMBER | 1 |
| 43 | R08162 | TYPE "U" DRIVE SCREW 4 X 1/4 | 2 |
| 44 | R10097 | AMBER REFLECTOR | 1 |
| ----- | | | |
| 45 | R10096 | RED REFLECTOR | 2 |
| 46 | R07926 | 5/16-18 X 1/4 SS. SET SCREW | 1 |
| 47 | R08037 | FLAG SPRING | 1 |
| 48 | R09735 | "HUSKY" FLAG | 1 |
| ----- | | | |
| 49 | R21371 | PLASTIC TIP | 1 |
| 50 | R08020 | 3/16 X 1 1/4 SS. COTTER PIN | 3 |
| 51 | R07825 | 1/2" FLAT WASHER | 3 |

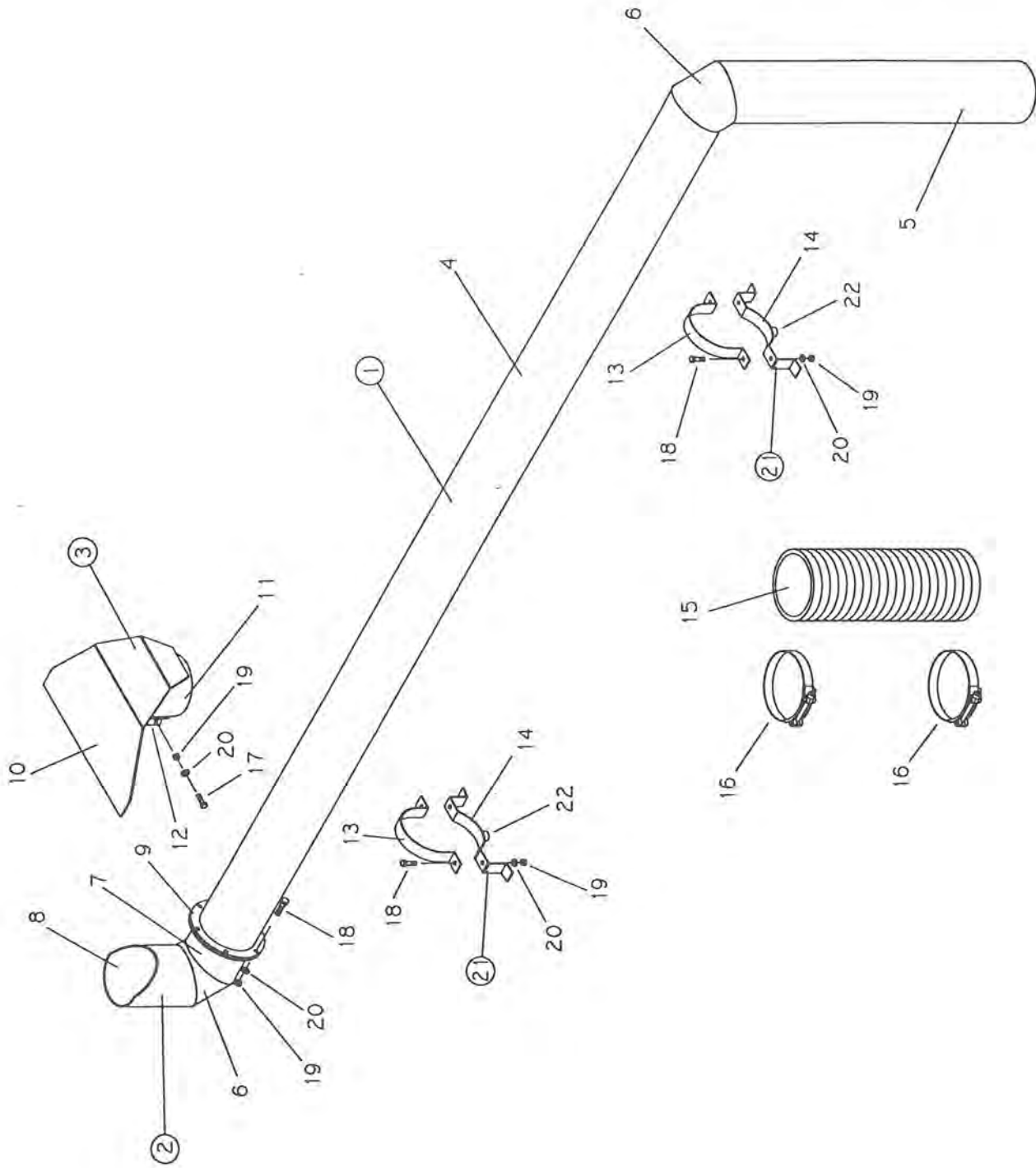
FAN & HOUSING KIT

| <u>KEY</u> | <u>PART NUMBER</u> | <u>DESCRIPTION</u> | <u>QTY</u> |
|------------|--------------------|------------------------------------|------------|
| 1 | 364-23-00-000 | MODEL E FAN & HOUSING KIT 540 RPM | 1 |
| | 364-56-00-000 | MODEL E FAN & HOUSING KIT 1000 RPM | * |
| 2 | 364-01-03-000 | FAN HOUSING ASSY | 1 |
| 3 | 364-01-15-000 | HOUSING BACK PLATE ASSY | 1 |
| ----- | | | |
| 4 | 364-03-00-000 | FAN ASSEMBLY 540 RPM | 1 |
| | 364-39-00-000 | FAN ASSEMBLY 1000 RPM | * |
| 5 | 364-51-00-000 | FAN HOUSING COVER ASSEMBLY | 1 |
| 6 | 364-22-00-000 | AGITATOR ASSEMBLY | 1 |
| ----- | | | |
| 7 | 364-54-00-000 | SEAL & PLATE KIT | 1 |
| 8 | 364-53-00-000 | DRAIN PLUG KIT | 1 |
| 9 | 364-52-00-000 | BRG HOLDER ASSEMBLY | 1 |
| 10 | 364-01-03-018 | HOUSING BAND | 1 |
| ----- | | | |
| 11 | 364-01-03-019 | HOUSING FLANGE | 1 |
| 12 | 364-01-03-062 | DISCHARGE RING | 1 |
| 13 | 364-01-03-063 | DISCHARGE TUBE | 1 |
| 14 | 364-01-03-103 | OUTLET SIDE PIECE | 2 |
| ----- | | | |
| 15 | 364-01-03-104 | OUTLET TOP PIECE | 1 |
| 16 | 364-01-03-105 | OUTLET BOTTOM PIECE | 1 |
| 17 | 364-01-03-106 | HOUSING BACK PLATE | 1 |
| 18 | 364-51-00-168 | HOUSING COVER PLATE | 1 |
| ----- | | | |
| 19 | 364-51-00-169 | COVER PLATE SUPPORT | 1 |



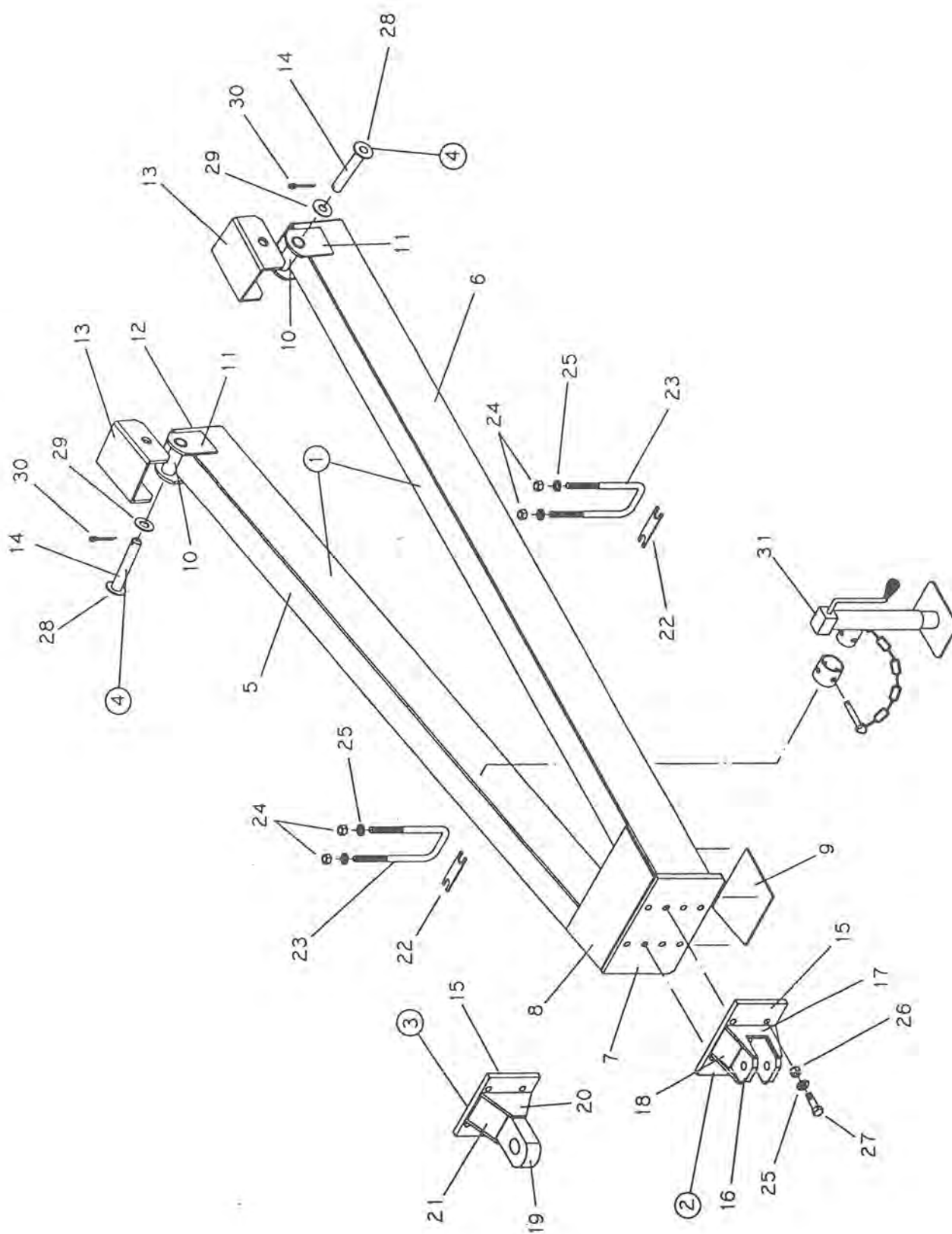
FAN & HOUSING KIT CONTINUED

| <u>KEY</u> | <u>PART-NUMBER</u> | <u>DESCRIPTION</u> | <u>QTY</u> |
|------------|--------------------|----------------------------|------------|
| 20 | 364-52-00-170 | OUTER BRG MOUNT | 1 |
| 21 | 364-00-00-090 | FLIP GUARD STOP | 1 |
| 22 | 364-00-00-029 | FLIP GUARD | 1 |
| 23 | 364-03-00-022 | FAN BACK PLATE | 1 |
| ----- | | | |
| 24 | 364-03-00-023 | FAN BLADE 540 RPM | 4 |
| | 364-39-00-130 | FAN BLADE 1000 RPM | 4 |
| 25 | 364-03-00-024 | FAN BLADE GUSSET | 4 |
| 26 | 364-03-00-089 | FAN SHAFT | 1 |
| ----- | | | |
| 27 | 364-54-00-173 | SEAL PLATE | 1 |
| 28 | 364-01-03-110 | DRAIN PIPE | 1 |
| 29 | R09542 | PLUG W/ WASHER | 1 |
| 30 | R07823 | 3/8 FLAT WASHER | 1 |
| ----- | | | |
| 31 | 364-00-00-114 | HANDLE | 1 |
| 32 | 364-01-03-081 | FAN HOUSING VERTICAL PIECE | 1 |
| 33 | 364-22-00-074 | AGITATOR SHAFT | 1 |
| 34 | 364-22-00-075 | AGITATOR BLADE | 3 |
| ----- | | | |
| 35 | 364-00-00-077 | BRG HOLDER | 1 |
| 36 | 300-00-00-062 | BRG PLATE | 1 |
| 37 | 364-00-00-085 | #50-16 COUPLER SPROCKET | 2 |
| 38 | R20885 | #50-2 COUPLER CHAIN | 1 |
| ----- | | | |
| 39 | R07952 | 5/16 X 2 ROLL PIN | 2 |
| 40 | R20228 | 1 1/4 WOOD BRG | 1 |
| 41 | R07881 | 3/8 SS HEX LOCK NUT | 1 |
| 42 | R20185 | 1 3/8 FLANGE BRG | 2 |
| ----- | | | |
| 43 | R20282 | URETHANE SEAL | 1 |
| 44 | R07733 | 7/16 X 1 1/2 CARRIAGE BOLT | 12 |
| 45 | 364-52-00-171 | INNER BRG MOUNT | 4 |
| 46 | R07619 | 3/8 X 1 HEX BOLT | 3 |
| ----- | | | |
| 47 | R07677 | 7/16 X 1 1/4 HEX BOLT | 8 |
| 48 | R07779 | 3/8 X 2 SS CARR BOLT | 1 |
| 49 | R07625 | 3/8 X 4 HEX BOLT | 2 |
| 50 | R07783 | 3/8 HEX NUT | 2 |
| ----- | | | |
| 51 | R07803 | 3/8 LOCK WASHER | 2 |
| 52 | R07886 | 3/8 LOCK NUT | 3 |
| 53 | R07784 | 7/16 HEX NUT | 20 |
| 54 | R07804 | 7/16 LOCK WASHER | 20 |
| ----- | | | |
| 55 | 364-01-03-156 | HOUSING BAND AID | 1 |
| 56 | 364-41-00-000 | PTO HOLDER ASSEMBLY | 1 |
| 57 | 364-41-00-000 | PTO HOLDER | 1 |
| 58 | 364-41-00-133 | PTO HOLDER BRKT | 1 |
| ----- | | | |
| 59 | 364-00-00-134 | PTO SPACER | 1 |
| 60 | R09785 | 'DANGER' DECAL | 1 |
| 61 | 364-00-00-172 | SS SLEEVE | 1 |



DISCHARGE PIPE ASSEMBLY

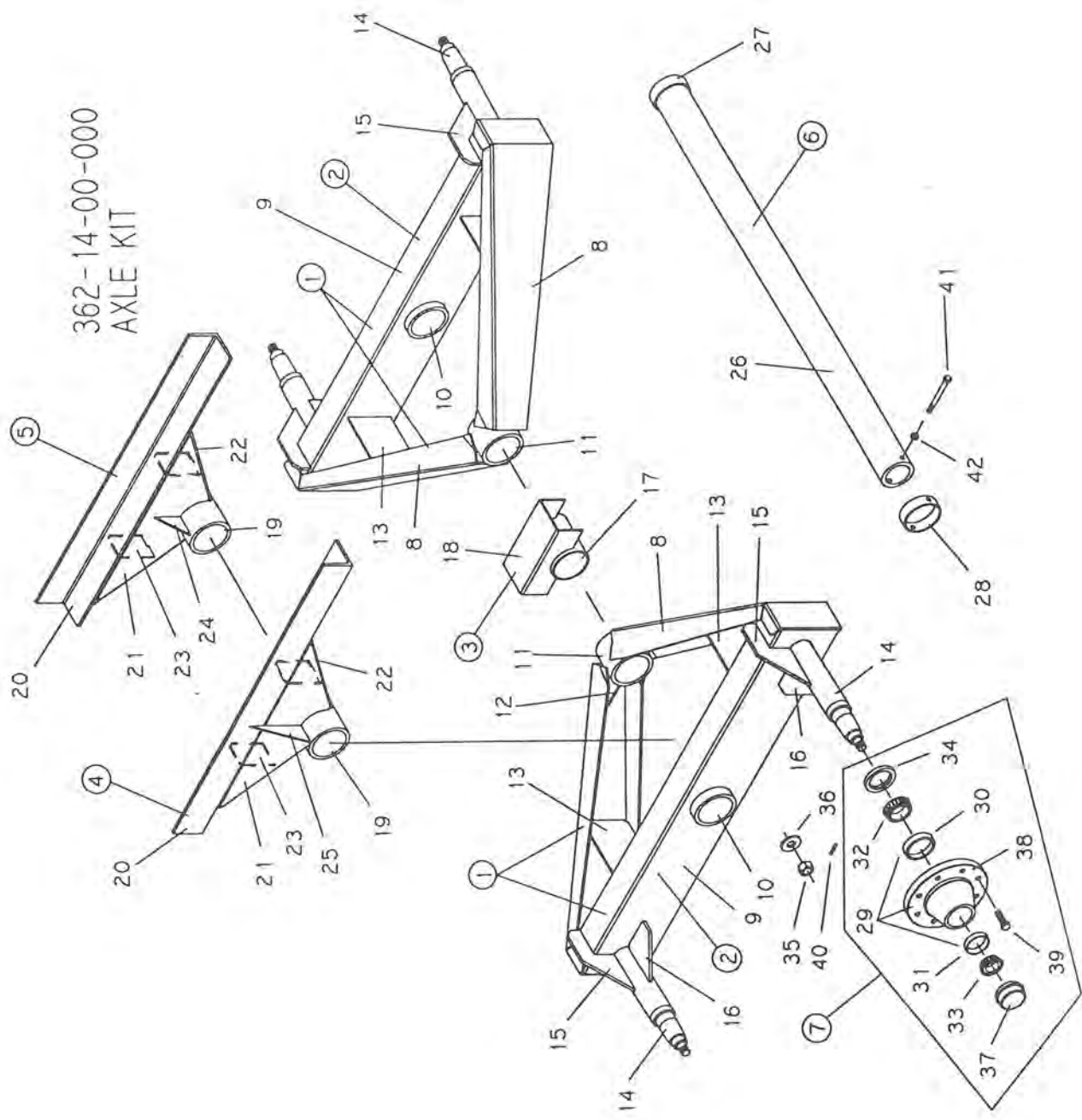
| <u>KEY</u> | <u>PART NUMBER</u> | <u>DESCRIPTION</u> | <u>QTY</u> |
|------------|--------------------|--|------------|
| 1 | 364-19-00-000 | DISCHARGE PIPE ASSEMBLY -12 & 14000L | 1 |
| | 359-30-00-000 | DISCHARGE PIPE ASSEMBLY -15000L | 1 |
| | 362-59-00-000 | DISCHARGE PIPE ASSEMBLY -9000L | 1 |
| | 362-20-00-000 | DISCHARGE PIPE ASSEMBLY -7000L | 1 |
| ----- | | | |
| 2 | 364-25-00-000 | DISCHARGE PIPE END SECTION | 1 |
| 3 | 364-21-00-000 | SPLASH PLATE ASSEMBLY | 1 |
| 4 | 364-19-00-065 | HORIZONTAL DISCHARGE PIPE -9,12 & 14000L | 1 |
| | 359-30-00-108 | HORIZONTAL DISCHARGE PIPE -15000L | 1 |
| ----- | | | |
| | 362-20-00-068 | HORIZONTAL DISCHARGE PIPE -7000L | 1 |
| 5 | 364-19-00-064 | VERTICAL DISCHARGE PIPE 12,14 & 15000L | 1 |
| | 362-20-00-184 | VERTICAL DISCHARGE PIPE 7 & 9000L | 1 |
| 6 | 364-19-00-082 | DISCHARGE PIPE CORNER PIECE | 2 |
| ----- | | | |
| 7 | 364-25-00-088 | DISCHARGE PIPE FLANGE PIECE | 1 |
| 8 | 364-25-00-067 | DISCHARGE PIPE END PIECE | 1 |
| 9 | 364-19-00-087 | DISCHARGE PIPE FLANGE | 2 |
| 10 | 364-21-00-069 | SPLASH PLATE | 1 |
| ----- | | | |
| 11 | 364-21-00-070 | CLAMPING TUBE | 1 |
| 12 | 364-21-00-071 | CLAMPING TUBE BRKT | 2 |
| 13 | 364-00-00-083 | DISCHARGE CLAMP UPPER PIECE | 2 |
| 14 | 364-50-00-084 | DISCHARGE CLAMP BASE PIECE | 2 |
| ----- | | | |
| 15 | 364-00-00-066 | FLEX HOSE | 1 |
| 16 | R02482 | 6" CLAMP | 2 |
| 17 | R07622 | 3/8 X 2 1/2 HEX BOLT | 2 |
| 18 | R07675 | 3/8 X 1 1/4 HEX BOLT | 10 |
| ----- | | | |
| 19 | R07783 | 3/8 HEX NUT | 12 |
| 20 | R07803 | 3/8 LOCK WASHER | 12 |
| 21 | 364-50-00-000 | DISCHARGE CLAMP BASE ASSY | 2 |
| 22 | 364-50-00-165 | DISCHARGE CLAMP SPACER | 2 |
| ----- | | | |



TONGUE & HITCH

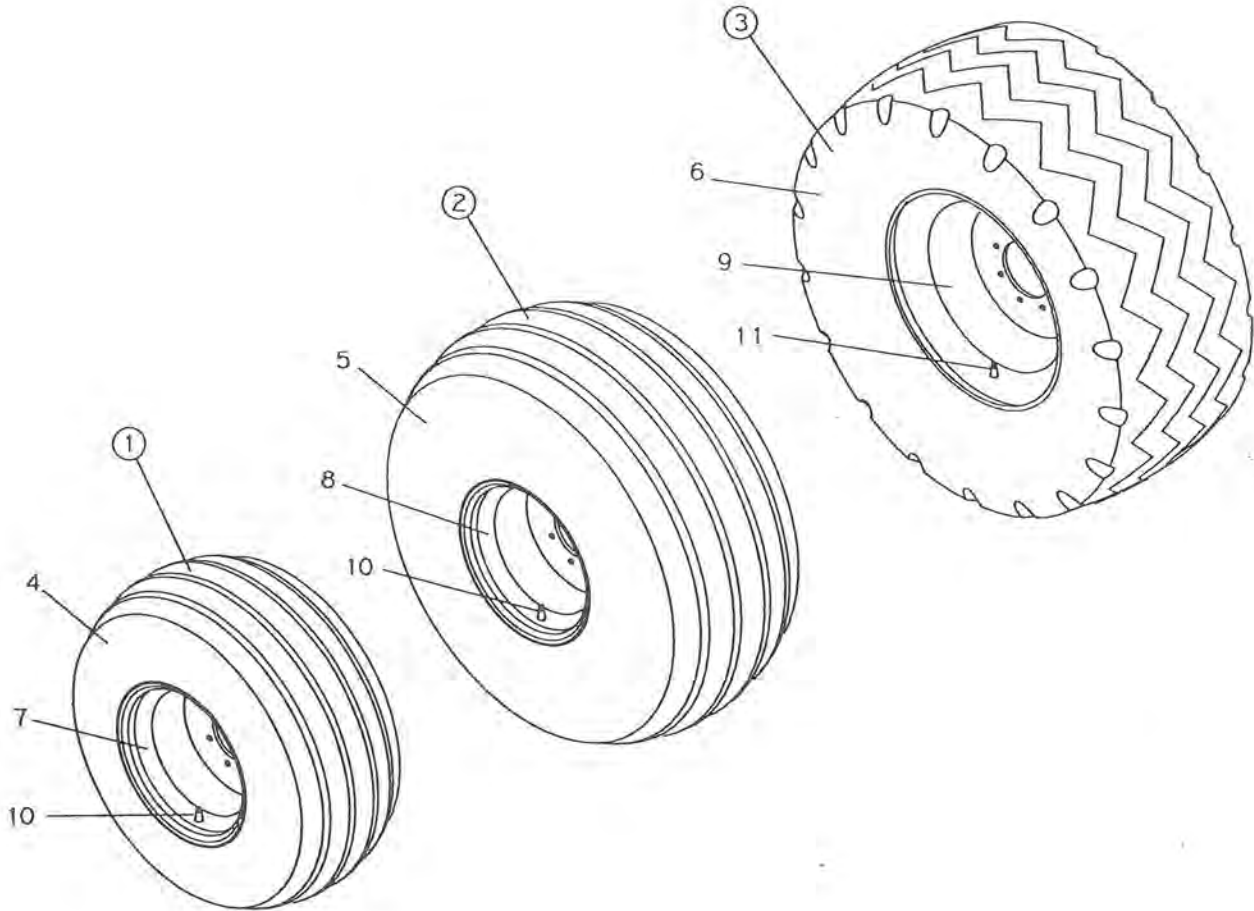
| <u>KEY</u> | <u>PART NUMBER</u> | <u>DESCRIPTION</u> | <u>QTY</u> |
|------------|--------------------|----------------------------|------------|
| 1 | 364-35-00-000 | TONGUE ASSY | 1 |
| 2 | 364-05-00-000 | STD HITCH ASSY | 1 |
| 3 | 364-26-00-000 | SINGLE POINT HITCH ASSY | * |
| 4 | 315-39-00-000 | LOCK PIN ASSY | 2 |
| ----- | | | |
| 5 | 364-35-00-115 | R H TONGUE TUBE | 1 |
| 6 | 364-35-00-116 | L H TONGUE TUBE | 1 |
| 7 | 364-35-00-117 | HITCH BOLT PLATE | 1 |
| 8 | 364-35-00-118 | TONGUE TUBE UPPER GUSSET | 1 |
| ----- | | | |
| 9 | 364-35-00-119 | TONGUE TUBE LOWER GUSSET | 1 |
| 10 | 315-36-00-145 | BUSHING | 2 |
| 11 | 315-36-00-146 | SIDE PIECE | 4 |
| 12 | 315-36-00-147 | TONGUE TUBE END CAP | 2 |
| ----- | | | |
| 13 | 315-31-00-115 | TONGUE 'U' PIECE | 2 |
| 14 | 315-39-00-155 | LOCK PIN | 2 |
| 15 | 364-05-00-030 | HITCH BACK PLATE | 1 |
| 16 | 364-05-00-031 | HITCH PLATE | 2 |
| ----- | | | |
| 17 | 364-05-00-032 | HITCH SIDE GUSSET | 2 |
| 18 | 364-05-00-033 | HITCH UPPER GUSSET | 1 |
| 19 | 364-26-00-091 | SINGLE POINT HITCH | 1 |
| 20 | 364-26-00-092 | SINGLE POINT HITCH GUSSET | 2 |
| ----- | | | |
| 21 | 364-26-00-093 | HITCH UPPER & LOWER GUSSET | 2 |
| 22 | 364-00-00-131 | U BOLT SPACER | 2 |
| 23 | R08172 | 3/4 NF X 10" U BOLT | 2 |
| 24 | R07820 | 3/4 NF HEX NUT | 4 |
| ----- | | | |
| 25 | R07807 | 3/4" LOCK WASHER | 8 |
| 26 | R07787 | 3/4" HEX NUT | 4 |
| 27 | R07655 | 3/4 X 2 1/2 HEX BOLT | 4 |
| 28 | R07828 | 1 FLAT WASHER | 2 |
| ----- | | | |
| 29 | R07830 | 1 1/4 FLAT WASHER | 2 |
| 30 | R08016 | 1/4 X 2 COTTER PIN | 2 |
| 31 | R09751 | 7000 LB SIDE WIND JACK | 1 |

362-14-00-000
AXLE KIT

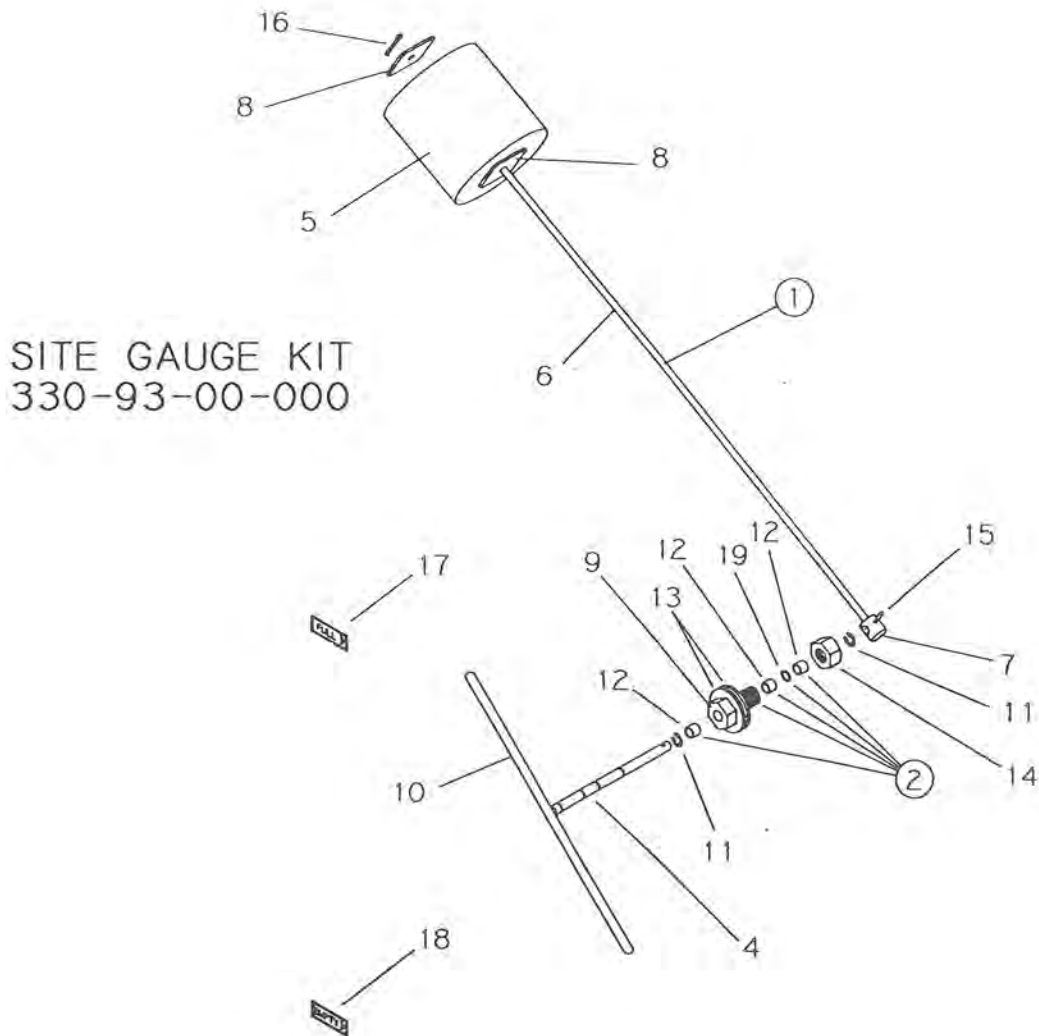


| <u>KEY</u> | <u>PART NUMBER</u> | <u>DESCRIPTION</u> | <u>QTY</u> |
|------------|--------------------|-----------------------------|------------|
| 1 | 362-14-14-000 | TANDEM SIDE ASSY | 2 |
| 2 | 362-14-10-000 | WALKING BEAM ASSY | 2 |
| 3 | 315-34-00-000 | TANDEM CENTRE YOKE ASSY | 1 |
| 4 | 315-35-00-000 | AXLE PIVOT ASSY R.H. | 1 |
| ----- | | | |
| 5 | 315-02-00-000 | AXLE PIVOT ASSY L.H. | 1 |
| 6 | 315-04-00-000 | AXLE TUBE ASSY | 1 |
| 7 | 300-27-00-000 | 8-BOLT HUB ASSY COMPLETE | 4 |
| 8 | 315-33-00-124 | TANDEM SIDE ARM | 4 |
| ----- | | | |
| 9 | 362-14-10-055 | WALKING BEAM | 2 |
| 10 | 315-33-00-127 | ROCKER SLEEVE - OUTER | 2 |
| 11 | 315-33-00-120 | ROCKER SLEEVE - INNER | 2 |
| 12 | 315-33-00-126 | CENTRE GUSSET | 4 |
| ----- | | | |
| 13 | 315-33-00-125 | STIFFENER PLATE | 4 |
| 14 | 362-14-10-056 | SPINDLE | 4 |
| 15 | 362-10-10-080 | GUSSET | 4 |
| 16 | 315-33-00-122 | SPINDLE GUSSET | 4 |
| ----- | | | |
| 17 | 315-34-00-128 | SPACER SLEEVE | 1 |
| 18 | 315-34-00-129 | CENTRE YOKE | 1 |
| 19 | 315-35-00-130 | STATIONARY SLEEVE | 2 |
| 20 | 315-35-00-131 | SILL ANGLE PLATE | 2 |
| ----- | | | |
| 21 | 315-35-00-132 | AXLE SIDE PLATE | 4 |
| 22 | 315-35-00-133 | COVER STRIP | 4 |
| 23 | 315-35-00-134 | INNER SUPPORT PLATE | 4 |
| 24 | 315-35-00-135 | PIVOT INNER GUSSET | 2 |
| ----- | | | |
| 25 | 315-35-00-166 | PIVOT OUTER GUSSET | 2 |
| 26 | 315-04-00-530 | AXLE TUBE | 1 |
| 27 | 330-08-00-528 | STOP RING | 1 |
| 28 | 315-00-00-137 | AXLE RETAINING RING | 1 |
| ----- | | | |
| 29 | R20125 | 8-BOLT HUB WITH CUPS | 4 |
| 30 | R20112 | INNER CUP | 4 |
| 31 | R20113 | OUTER CUP | 4 |
| 32 | R20114 | INNER CONE | 4 |
| ----- | | | |
| 33 | R20115 | OUTER CONE | 4 |
| 34 | R20116 | HUB SEAL | 4 |
| 35 | R20117 | SPINDLE NUT | 4 |
| 36 | R20118 | SPINDLE WASHER | 4 |
| ----- | | | |
| 37 | R20119 | DUST CAP | 4 |
| 38 | R20126 | 8-BOLT HUB LESS CUPS | 4 |
| 39 | R20120 | 5/8 X 2-3/8 N.F. WHEEL BOLT | 32 |
| 40 | R07943 | 3/16 X 1-1/2 ROLL PIN | 4 |
| ----- | | | |
| 41 | R07644 | 1/2 X 5 UNC BOLT | 1 |
| 42 | R07785 | 1/2 HEX NUT | 1 |
| ----- | | | |

| KEY | PART NUMBER | DESCRIPTION | QTY |
|-------|---------------|--|-----|
| 1 | 300-26-00-000 | 16.5 X 16.1 TIRE AND WHEEL ASSY | 4 |
| 2 | 325-64-00-000 | 21.5 X 16.1 TIRE & WHEEL, 8-BOLT, 10-PLY | * |
| 3 | 340-55-00-000 | 18 X 22.5 TRUCK TIRE, T&W 8-BOLT | * |
| 4 | R20004 | 16.5 X 16.1 IMPLEMENT TIRE | 4 |
| ----- | | | |
| 5 | R20005 | 21.5 X 16.1 IMPLEMENT TIRE 10-PLY | * |
| 6 | R20011 | 18 X 22.5 USED TRUCK TIRE | * |
| 7 | R20073 | 16.1 WHEEL FOR 16.5 TIRE 8-BOLT | 4 |
| 8 | R20074 | 16.1 WHEEL FOR 21.5 TIRE 8-BOLT | * |
| ----- | | | |
| 9 | R20058 | 13.5 WHEEL FOR 18" TRUCK TIRE 8 BOLT | * |
| 10 | R20020 | VALVE STEM | 4 |
| 11 | R20032 | TUBE FOR 18 X 22.5 TRUCK TIRE | * |
| 12 | R20024 | REPAIR TUBE FOR 16.5 TIRE (NOT SHOWN) | * |
| ----- | | | |
| 13 | R20025 | REPAIR TUBE FOR 21.5 TIRE (NOT SHOWN) | * |
| ----- | | | |



| KEY | PART NUMBER | SIGHT GAUGE KIT DESCRIPTION | QTY |
|-------|---------------|--------------------------------|-----|
| 1 | 330-93-30-000 | FLOAT ARM ASSY | 1 |
| 2 | 330-93-31-000 | BRONZE BRG HOLDER ASSY | 1 |
| 3 | 330-93-32-000 | INDICATOR ARM ASSY | 1 |
| 4 | 330-93-32-374 | CONNECTOR SHAFT | 1 |
| ----- | | | |
| 5 | 330-93-00-375 | FLOAT | 1 |
| 6 | 330-93-30-376 | FLOAT ARM | 1 |
| 7 | 330-93-30-377 | BOSS | 1 |
| 8 | 330-93-30-378 | FLOAT STRAPS | 2 |
| ----- | | | |
| 9 | 330-93-31-379 | BRONZE BEARING HOLDER | 1 |
| 10 | 330-93-32-424 | INDICATOR ARM | 1 |
| 11 | R07974 | EXTERNAL RETAINING RING | 2 |
| 12 | R21173 | 1/2 X 5/8 X 1/2 BRONZE BUSHING | 3 |
| ----- | | | |
| 13 | R07828 | 1" FLAT WASHER | 2 |
| 14 | R07788 | 1" HEX NUT | 1 |
| 15 | R07950 | 3/16 X 1-1/4 ROLL PIN | 1 |
| 16 | R08021 | 1/8 X 1 S.S. COTTER PIN | 1 |
| ----- | | | |
| 17 | R09529 | "FULL" STICKER | 1 |
| 18 | R09530 | "EMPTY" STICKER | 1 |
| 19 | R20865 | 1/2 X 5/8 X 1/16 O-RING | 1 |
| ----- | | | |



SERIES 4 CV JOINT PTO

R20299 -540 RPM
R20301 -1000 RPM

| KEY | PART NUMBER | DESCRIPTION | QTY |
|-------|-------------|---------------------------------------|-----|
| 1 | R21464 | OUTER YOKE W/QD PIN 1 3/8 6T 540RPM | 1 |
| | R21465 | OUTER YOKE W/QD PIN 1 3/8 21T 1000RPM | * |
| 2 | R21470 | JOURNAL & BEARING KIT | 2 |
| 3 | R21443 | SNAP RING | 12 |
| ----- | | | |
| 4 | R21481 | GREASE FITTING M10-1.0 X 45 DEGREE | 1 |
| 5 | R21471 | CV CENTRAL BODY | 1 |
| 6 | R21480 | GREASE FITTING M6-1.0 STRAIGHT | 5 |
| 7 | R21474 | OUTER TUBE YOKE | 1 |
| ----- | | | |
| 8 | R21475 | SPRING DOWEL FOR OUTER TUBE | 1 |
| 9 | R21478 | OUTER TUBE | 1 |
| 10 | R21479 | INNER TUBE | 1 |
| 11 | R21476 | SPRING DOWEL FOR INNER TUBE | 1 |
| ----- | | | |
| 12 | R21472 | INNER TUBE YOKE | 1 |
| 13 | R21451 | QD PIN KIT | 2 |
| 14 | R21473 | SHEAR BOLT TORQUE LIMITED 1 3/8 6 T | 1 |
| 15 | R08251 | SHEAR BOLT M8 1.24 X 45 LONG | 1 |
| ----- | | | |
| 16 | R21482 | GREASE FITTING M10-1.0 STRAIGHT | 1 |
| 17 | R21483 | BALL BEARING | 17 |
| 18 | R21442 | JOURNAL AND BEARING KIT | 1 |
| 19 | R21468 | INNER BELL | 1 |
| ----- | | | |
| 20 | R21469 | OUTER BELL | 1 |
| 21 | R21466 | OUTER SHIELD TUBING | 1 |
| 22 | R21467 | INNER SHIELD TUBING | 1 |
| 23 | R21456 | GUARD RETAINING COLLAR - OUTER | 1 |
| ----- | | | |
| 24 | R21455 | GUARD RETAINING COLLAR - INNER | 1 |
| 25 | R21486 | INNER TUBE CONE | 1 |
| 26 | R21485 | OUTER TUBE CONE | 1 |

