

DATE PURCHASED _____ MACHINE SERIAL NO. _____

OPTIONS _____

*Office copy
March 1/84
20 made
June 1/84
20 made
Aug 2/5 "*

PLEASE NOTE:

The key number system in this parts book is arranged as follows:

- 0 --Key number with one circle denotes main assemblies
- Key numbers not circled are individual parts

Please order parts by number

MODEL "E"

9000 LITRE OVAL

HUSKY LIQUID MANURE SPREADER

OPERATING REQUIREMENTS FOR TANKER MANURE SPREADERS:

1. Heed all warnings.
2. Minimum HP requirements to safely operate on level terrain, on hilly terrain HP should be increased.

4500L	70 HP
7000L	85 HP
9000L	95 HP
12000L	110 HP
14000L	130 HP
15000L	140 HP
18000L	160 HP
23000L	200 HP

3. If machine is equipped with hydraulic brakes that are operated from the tractor hydraulics, they will not work should the tractor motor stop.

Inspect brakes before each use. Brakes must be bled before initial use unless installed at factory.

When releasing brakes the tractor hydraulic lever must be put in the opposing position to release pressure. Do not put in float position they will not release.

OPERATING REQUIREMENTS (CONT'D):

4. Tractor PTO spline must be approximately 14" (355 mm) from end of compressed PTO for proper adjustment.
5. Hitch tanker to tractor with minimum of 1" (25 mm) hardened hitch pin with a safety lock. Use 10,000 Lbs safety chain from spreader to tractor.
6. Do not use tongue jack stand to support loaded spreader. Put jack in storage position before using.
7. When hooking PTO to tractor make sure motor is stopped. Make sure QD (Quick Disconnect) safety locking pin is in locked position before using.
8. Clean off hose ends before plugging into tractor hydraulics. If spreader is equipped with hydraulic drive on spreading attachment, make sure tractor has sufficient oil flow and pressure to maintain satisfactory spread pattern, if not use another tractor.
9. After using spreader in freezing condition make sure impeller housing is drained.
10. Wash tank inside and out each time work is finished. This will increase life of tank by many years. See item 6 of Safety instructions.
11. Do not drive on public roads after dusk unless equipped with lights required by Department of Transportation in your area.
12. Remove wheels annually and grease wheel bearings.
13. Because manure smells, many farmers have made unfriendly neighbours. If in a residential area a manure injector is a recommended option to bury the smell.
14. Much of the fertilizer value of manure is lost when exposed to air. Getting the manure covered quickly is a very important part of spreading manure.
15. If rustproof coating on interior shows signs of deterioration, have interior repainted. This can be done with a roller or brush. This helps to increase the life of your spreader. It is a valuable maintenance procedure.

SAFETY INSTRUCTIONS:

Do not operate this machine until you fully understand the safe operating practices.

1. Make sure all moving parts are shielded to prevent coming in contact with loose clothing.
2. Keep children clear, do not let children or anyone ride on the spreader at anytime.
3. Do not support loaded spreader on tongue jack.
4. Keep tire pressure to recommended pressure at all times. Recommended tire pressure being:

		<u>Lbs</u>	<u>KPA</u>
40 x 14	Airplane Tires	55	379
44 x 16		55	379
47 x 18 x 18		55	379
50 x 20 x 20		55	379
16.5L x 16.1	Implement Tires	35	241
21.5L x 16.1		35	241
18.4L x 26	Turf Tires	26	180
28 L x 26		24	166
23.5L x 25	Loader Dozer Tires	55	379
18L x 22.5	Truck Tires	65	448

1 Lb = 6.8947 KPA

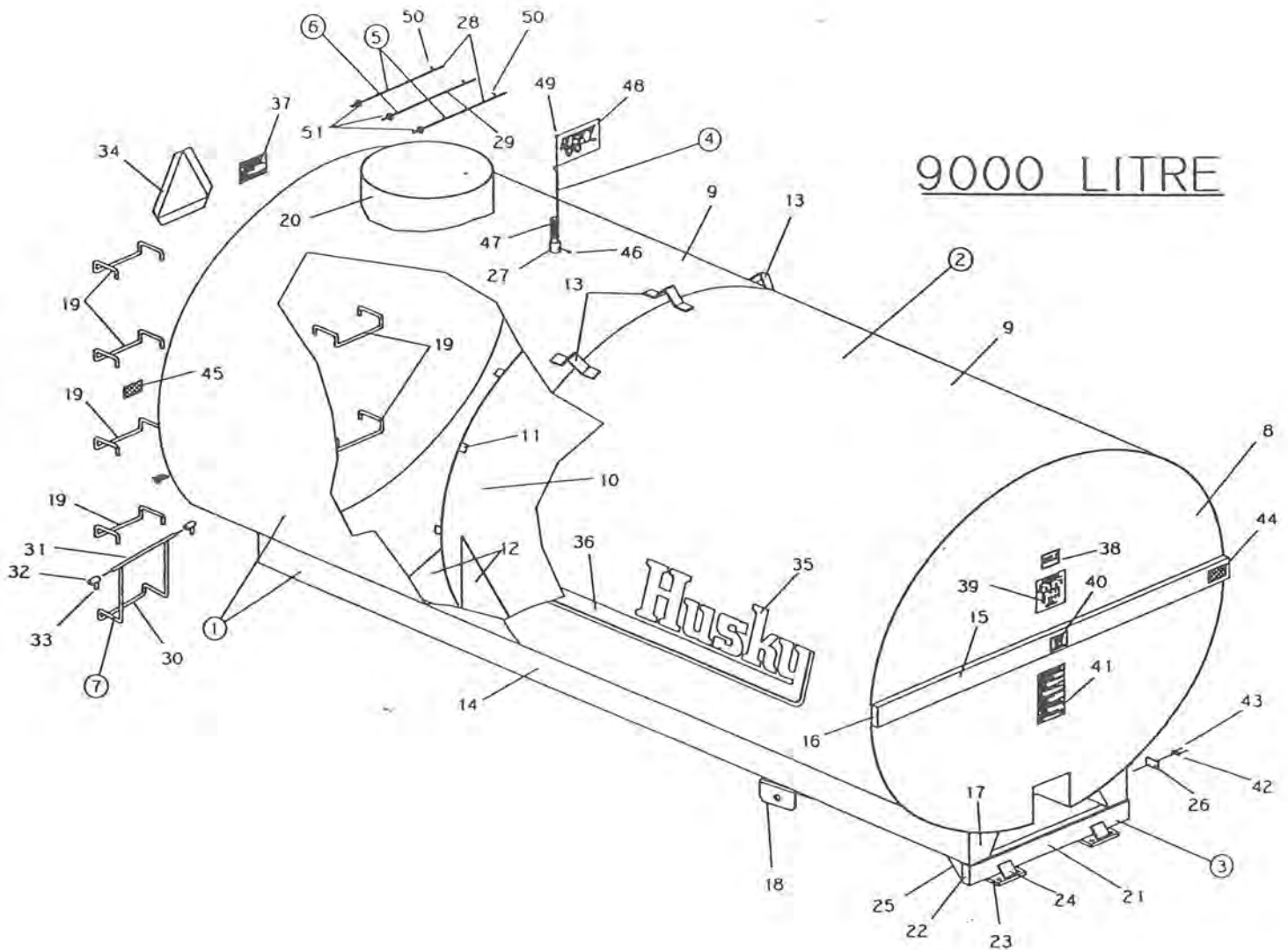
5. Keep wheel bolts torqued to recommended torque at all times. Recommended torque being:

Wheel Bolt Size	Torque <u>Dry</u>	Ft./lbs. <u>Oiled</u>	Torque <u>Dry</u>	Meter/kg <u>Oiled</u>
9/16 - 18 NF	190	145	26.28	20.06
5/8 - 18 NF	270	205	37.34	28.35
3/4 - 16 NF	470	360	65.01	49.79

(CHECK DAILY)

6. Never enter a tanker without special breathing equipment to supply oxygen. Manure gases can kill instantly. One breath of Hydrogen Sulfide can kill.
7. When hooking up or repairing hydraulic hoses always wear safety glasses and relieve pressure to avoid getting oil in eyes.
8. Caution - disc brakes will not release unless valve lever is held momentarily in opposite position. This will relieve pressure in brake line. Do not put in float position, they will not release.

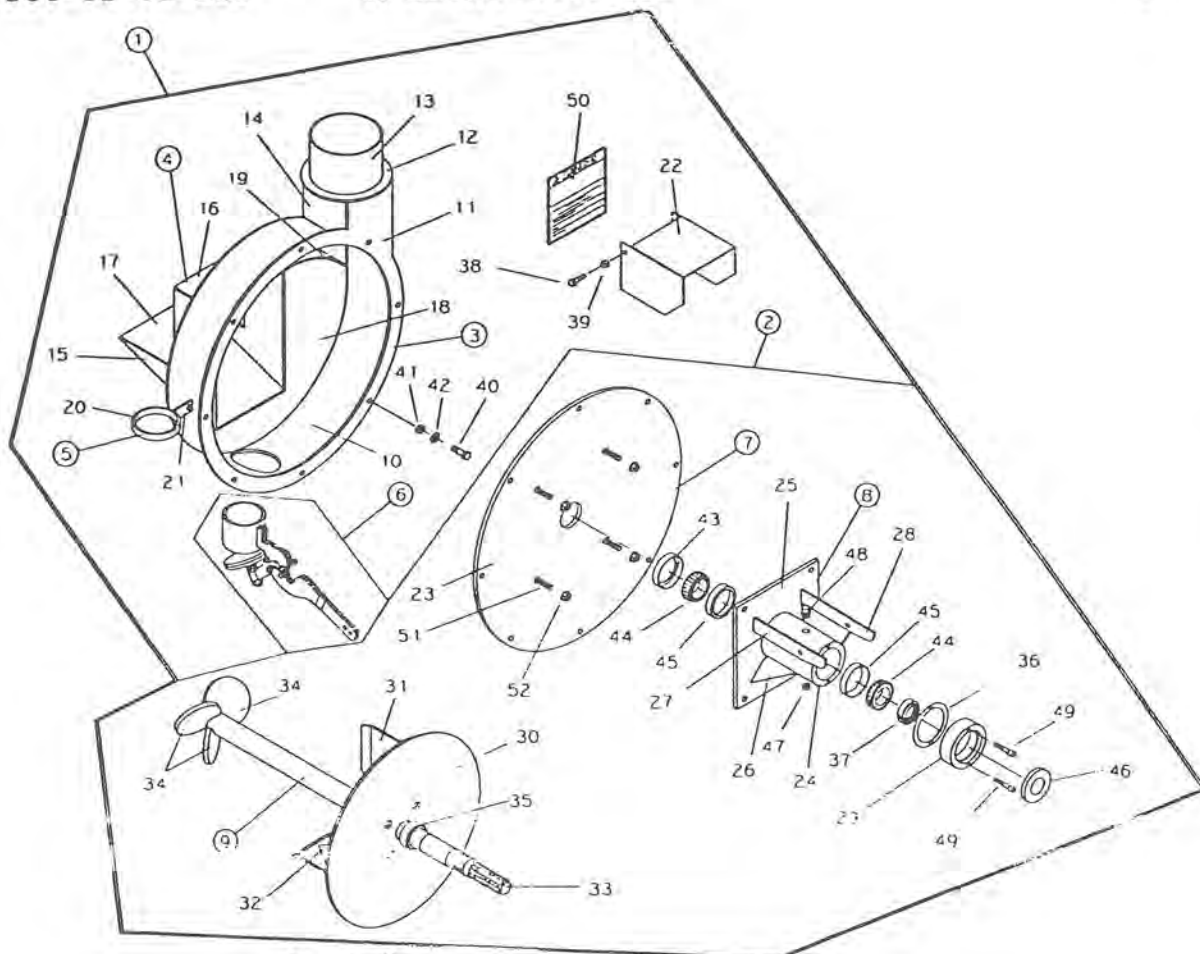
KEY	PART NUMBER	DESCRIPTION	QTY
1	362-13-00-000	9000L TANK & SILL ASSY	1
2	321-01-01-000	9000L TANK ASSY	1
3	364-02-17-000	CROSS MEMBER ASSY	1
4	340-62-00-000	HUSKY FLAG KIT	1
5	364-47-00-000	MANHOLE SAFETY BAR ASSY	2
6	364-49-00-000	LONG MANHOLE SAFETY BAR ASSY	1
7	364-02-19-000	LADDER BOTTOM RUNG ASSY	1
8	321-01-01-380	TANK END	2
9	321-01-01-381	TANK SHELL	2
10	321-01-01-382	BAFFLE	1
11	300-01-00-016	BAFFLE BRKT	8
12	340-01-01-459	BAFFLE GUSSET	4



<u>KEY</u>	<u>PART NUMBER</u>	<u>DESCRIPTION</u>	<u>QTY</u>
13	300-01-00-012	TANK LIFT HOOK	3
14	321-01-04-385	SILL	2
15	321-01-04-387	TANK STIFFENER	2
16	330-67-00-259	STIFFENER CAP	4
17	321-01-04-386	SILL CAP	4
18	315-31-00-115	TONGUE "U" PIECE	2
19	364-02-00-008	LADDER RUNG	6
20	364-02-00-006	MANHOLE	1
21	364-02-17-120	CROSS MEMBER	1
22	364-02-17-121	END CAP	2
23	364-02-17-122	TONGUE STRAP	2
24	364-02-17-123	TONGUE STRAP GUSSET	2
25	364-02-17-128	CROSS MEMBER GUSSET	2
26	340-01-00-498	SERIAL NUMBER PLATE	1
27	340-00-00-536	FLAG SPRING HOLDER	1
28	364-47-00-155	MANHOLE SAFETY BAR	2
29	364-49-00-164	LONG SAFETY BAR	1
30	364-02-19-151	LADDER BOTTOM RUNG	1
31	364-02-19-152	LADDER TOP PC.	1
32	364-02-00-153	LADDER BRACKET	2
33	364-02-00-154	LADDER SHIM	2
34	R09501	SLOW MOVING VEHICLE SIGN	1
35	R09510	HUSKY DECAL	2
36	R09511	ACCENT STRIPE	2
37	R09784	"DANGER TOXIC GAS" DECAL	1
38	R09509	"MADE IN CANADA" DECAL	1
39	R09730	"TIRE PRESSURE" STICKER	
40	R09512	"CAPACITY" STICKER	
41	R09783	"CAUTION" DECAL	1
42	R09071	SERIAL NUMBER	1
43	R08152	#6 x 1/4 PAN HEAD SCREW	2
44	R10097	AMBER REFLECTOR	1
45	R10096	RED REFLECTOR	2
46	R07926	5/16-18 X 1/4 SS. SET SCREW	1
47	R08037	FLAG SPRING	1
48	R09735	"HUSKY" FLAG	1
49	R21371	PLASTIC TIP	1
50	R08207	5/32 X 1 1/2 SS. COTTER PIN	3
51	R07825	1/2" FLAT WASHER	3

FAN & HOUSING KIT

KEY	PART NUMBER	DESCRIPTION	QTY
1	364-23-00-000	MODEL E FAN & HOUSING KIT 540 RPM	1
	364-56-00-000	MODEL E FAN & HOUSING KIT 1000 RPM	*
2	364-65-00-000	540 FAN, COVER PLATE & BRG KIT	1
	364-66-00-000	1000 FAN, COVER PLATE & BRG KIT	*
3	364-01-03-000	FAN HOUSING ASSEMBLY	1
4	364-01-15-000	HOUSING BACK PLATE ASSY	1
5	364-41-00-000	PTO HOLDER ASSEMBLY	1
6	364-62-00-000	DRAIN PLUG KIT	1
7	364-67-00-000	COVER PLATE ASSY	1
8	364-61-00-000	BEARING HOLDER ASSY	1
9	364-72-00-000	FAN, SHAFT & AGITATOR ASSY -540	1
	364-73-00-000	FAN, SHAFT & AGITATOR ASSY -1000	*
10	364-01-03-018	HOUSING BAND	1
11	364-01-03-019	HOUSING FLANGE	1
12	364-01-03-062	DISCHARGE RING	1
13	364-01-03-063	DISCHARGE TUBE	1
14	364-01-03-081	FAN HOUSING VERTICAL PC	1
15	364-01-03-103	OUTLET SIDE PC	2
16	364-01-03-104	OUTLET TOP PC	1
17	364-01-03-105	OUTLET BOTTOM PC	1
18	364-01-03-106	HOUSING BACK PLATE	1
19	364-01-03-156	HOUSING BAND AID	1



FAN & HOUSING KIT CONTINUED

<u>KEY</u>	<u>PART NUMBER</u>	<u>DESCRIPTION</u>	<u>QTY</u>
20	364-41-00-132	PTO HOLDER	1
21	364-41-00-133	PTO HOLDER BRKT	1
22	364-00-00-029	FLIP GUARD	1
23	364-67-00-211	COVER PLATE	1

24	364-61-00-191	BRG TUBE	1
25	364-61-00-192	SEAL TUBE BACK PLATE	1
26	364-61-00-193	SEAL TUBE GUSSET	2
27	364-61-00-197	RH FLIP GUARD BRKT	1

28	364-61-00-198	LH FLIP GUARD BRKT	1
29	364-00-00-196	SEAL TUBE CAP	1
30	364-63-00-209	IMPELLER BACK PLATE	1
31	364-63-00-208	540 RPM FAN BLADE	4

	364-64-00-210	1000RPM FAN BLADE	*
32	364-03-00-024	GUSSET	4
33	364-72-00-226	FAN SHAFT	1
34	364-72-00-227	AGITATOR BLADES	3

35	364-63-00-195	HARDENED SLEEVE	1
36	364-00-00-225	CAP GASKET	1
37	364-00-00-212	STAKE NUT	1
38	R07619	3/8 X 1 HEX BOLT	2

39	R07886	3/8 LOCK NUT	2
40	R07671	7/16 X 1 1/4 HEX BOLT	8
41	R07784	7/16 HEX NUT	8
42	R07804	7/16 LOCK WASHER	8

43	R21184	SEAL	1
44	R20115	CONE	2
45	R20113	CUP	2
46	R21185	SEAL	1

47	R02169	PIPE PLUG	1
48	R20685	VENT PLUG	1
49	R08175	5/16-18 UNC X 1 3/4 CAP SCREW	2
50	R09785	'DANGER' DECAL	1

51	R07774	7/16 X 1 1/4 CARRIAGE BOLT GR5.	4
52	R07879	7/16 FLANGE NUT	4

DRAIN PLUG KIT

<u>KEY</u>	<u>PART NUMBER</u>	<u>DESCRIPTION</u>	<u>QTY</u>
1	364-62-01-000	DRAIN PLUG SLEEVE ASSY	1
2	364-62-02-000	PLUG ASSY	1
3	364-62-03-000	HANDLE ASSY	1
4	364-62-00-199	HOUSING BRKT	2

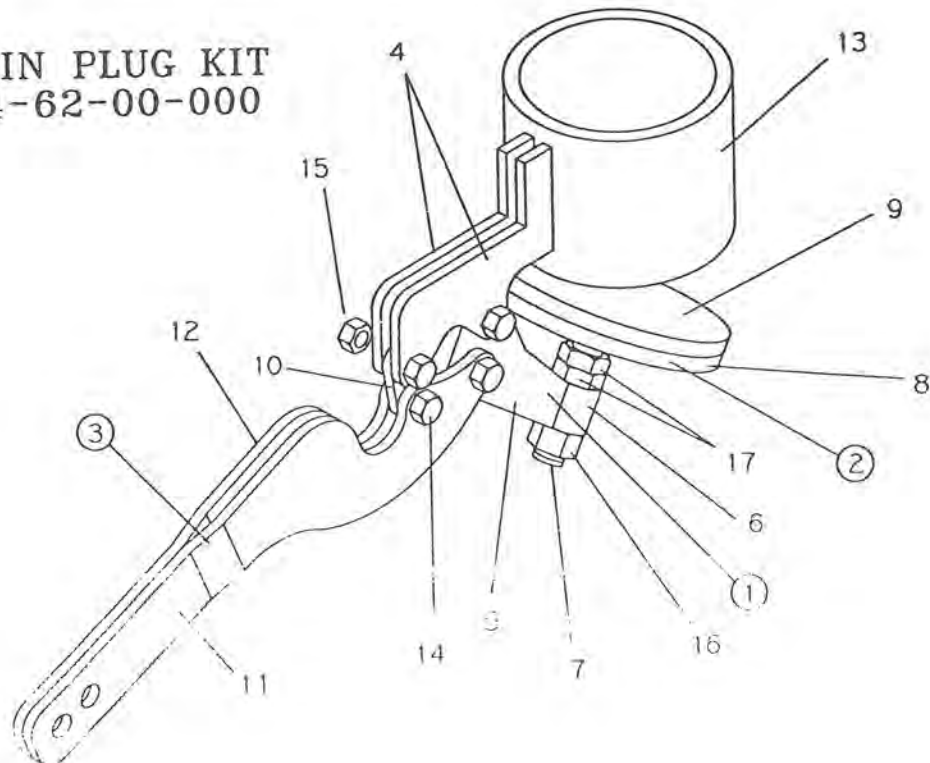
5	364-62-01-200	SLEEVE LINKAGE	1
6	364-62-01-201	SLEEVE	1
7	364-62-02-202	ADJUSTMENT ROD	1
8	364-62-02-203	PLUG PLATE	1

9	364-62-02-204	PLUG RUBBER	1
10	364-62-00-205	SHORT LINKAGE	1
11	364-62-03-206	LH. HANDLE	1
12	364-62-03-207	RH. HANDLE	1

13	364-01-03-110	DRAIN PIPE	1
14	R08176	1/4-20 UNC X 7/8 SHORT THRD BOLT	4
15	R08048	1/4-20 LOCK NUT	4
16	R07885	1/2-13 UNC HEX NYLOC NUT	1

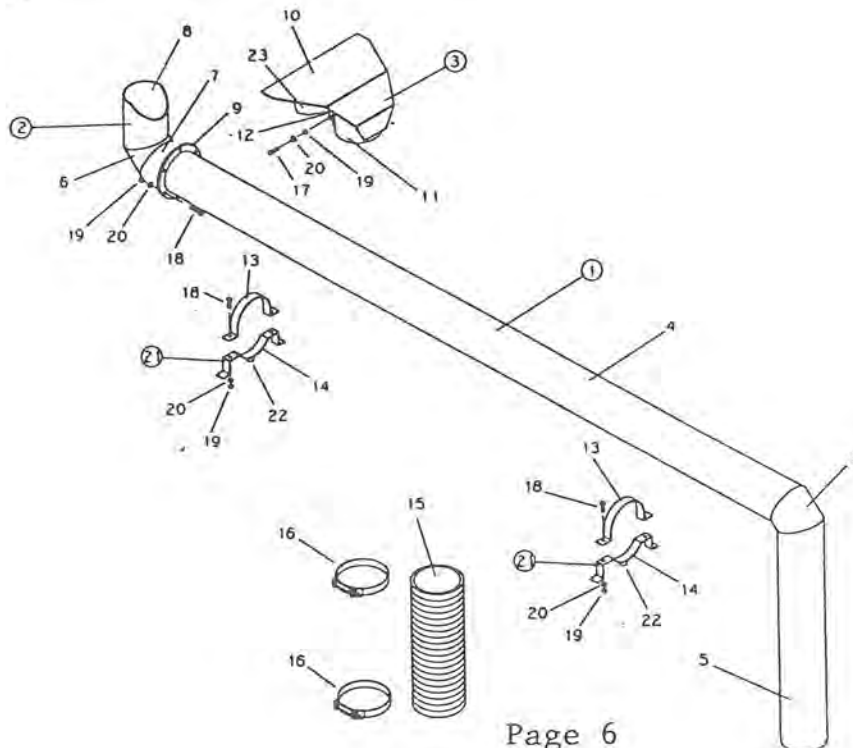
17	R08046	1/2-13 UNC JAM NUT	2

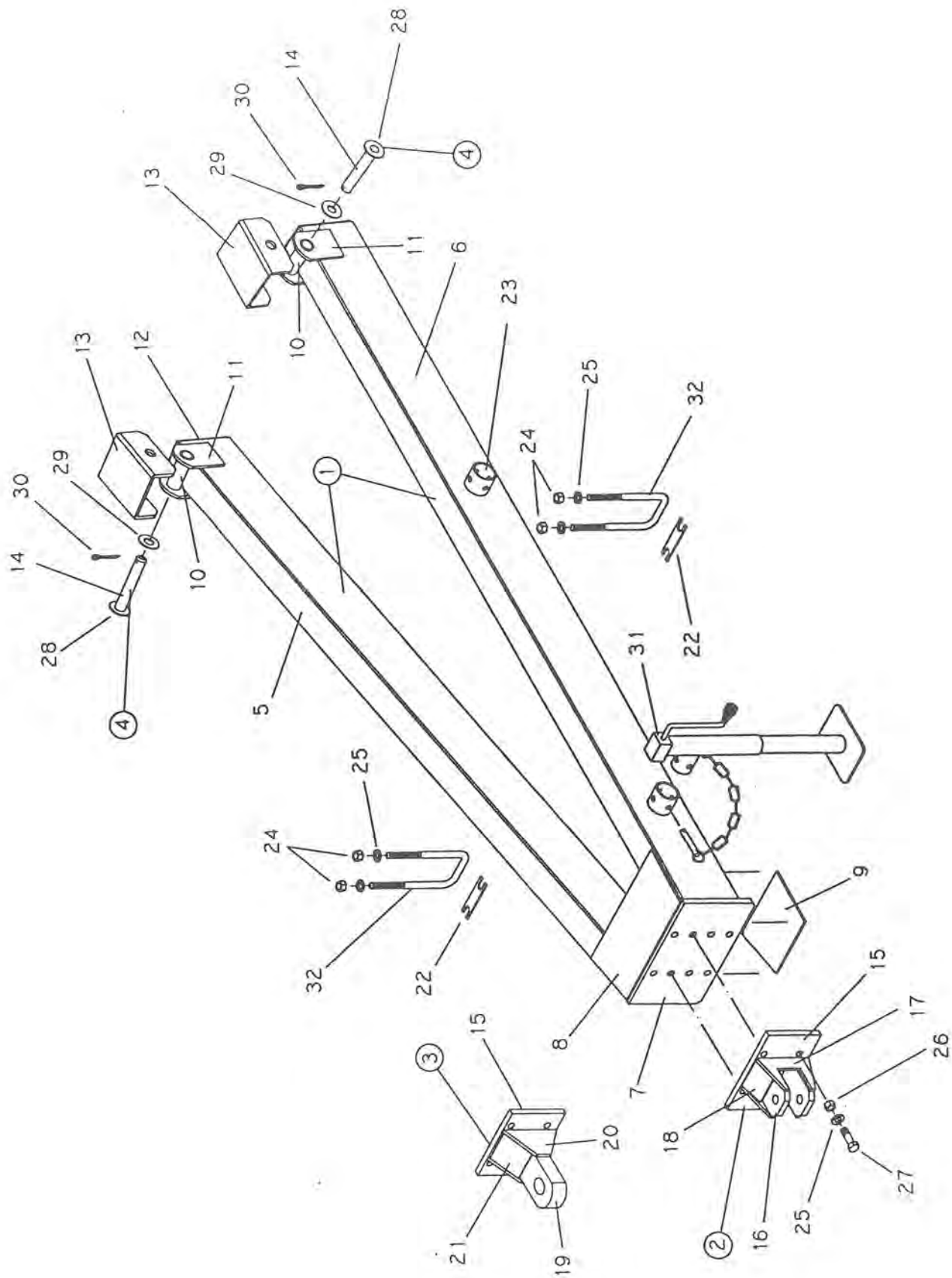
DRAIN PLUG KIT
364-62-00-000



DISCHARGE PIPE ASSEMBLY

KEY	PART NUMBER	DESCRIPTION	QTY
1	364-19-00-000	DISCHARGE PIPE ASSEMBLY -12 &14000L	1
	359-30-00-000	DISCHARGE PIPE ASSEMBLY -15000L	1
	362-59-00-000	DISCHARGE PIPE ASSEMBLY -9000L	1
	362-20-00-000	DISCHARGE PIPE ASSEMBLY -7000L	1
2	364-25-00-000	DISCHARGE PIPE END SECTION	1
3	364-21-00-000	SPLASH PLATE ASSEMBLY	1
4	364-19-00-065	HORIZONTAL DISCHARGE PIPE -9,12 &14000L	1
	359-30-00-108	HORIZONTAL DISCHARGE PIPE -15000L	1
5	362-20-00-068	HORIZONTAL DISCHARGE PIPE -7000L	1
	364-19-00-064	VERTICAL DISCHARGE PIPE 12,14 & 15000L	1
	362-20-00-184	VERTICAL DISCHARGE PIPE 7 & 9000L	1
6	364-19-00-082	DISCHARGE PIPE CORNER PIECE	2
7	364-25-00-088	DISCHARGE PIPE FLANGE PIECE	1
8	364-25-00-067	DISCHARGE PIPE END PIECE	1
9	364-19-00-087	DISCHARGE PIPE FLANGE	2
10	364-21-00-069	SPLASH PLATE	1
11	364-21-00-070	CLAMPING TUBE	1
12	364-21-00-071	CLAMPING TUBE BRKT	2
13	364-00-00-083	DISCHARGE CLAMP UPPER PIECE	2
14	364-50-00-084	DISCHARGE CLAMP BASE PIECE	2
15	364-00-00-066	FLEX HOSE	1
16	R02482	6" CLAMP	2
17	R07622	3/8 X 2 1/2 HEX BOLT	2
18	R07675	3/8 X 1 1/4 HEX BOLT	10
19	R07783	3/8 HEX NUT	12
20	R07803	3/8 LOCK WASHER	12
21	364-50-00-000	DISCHARGE CLAMP BASE ASSY	2
22	364-50-00-165	DISCHARGE CLAMP SPACER	2
23	364-21-00-224	SPLASH PLATE WING	2

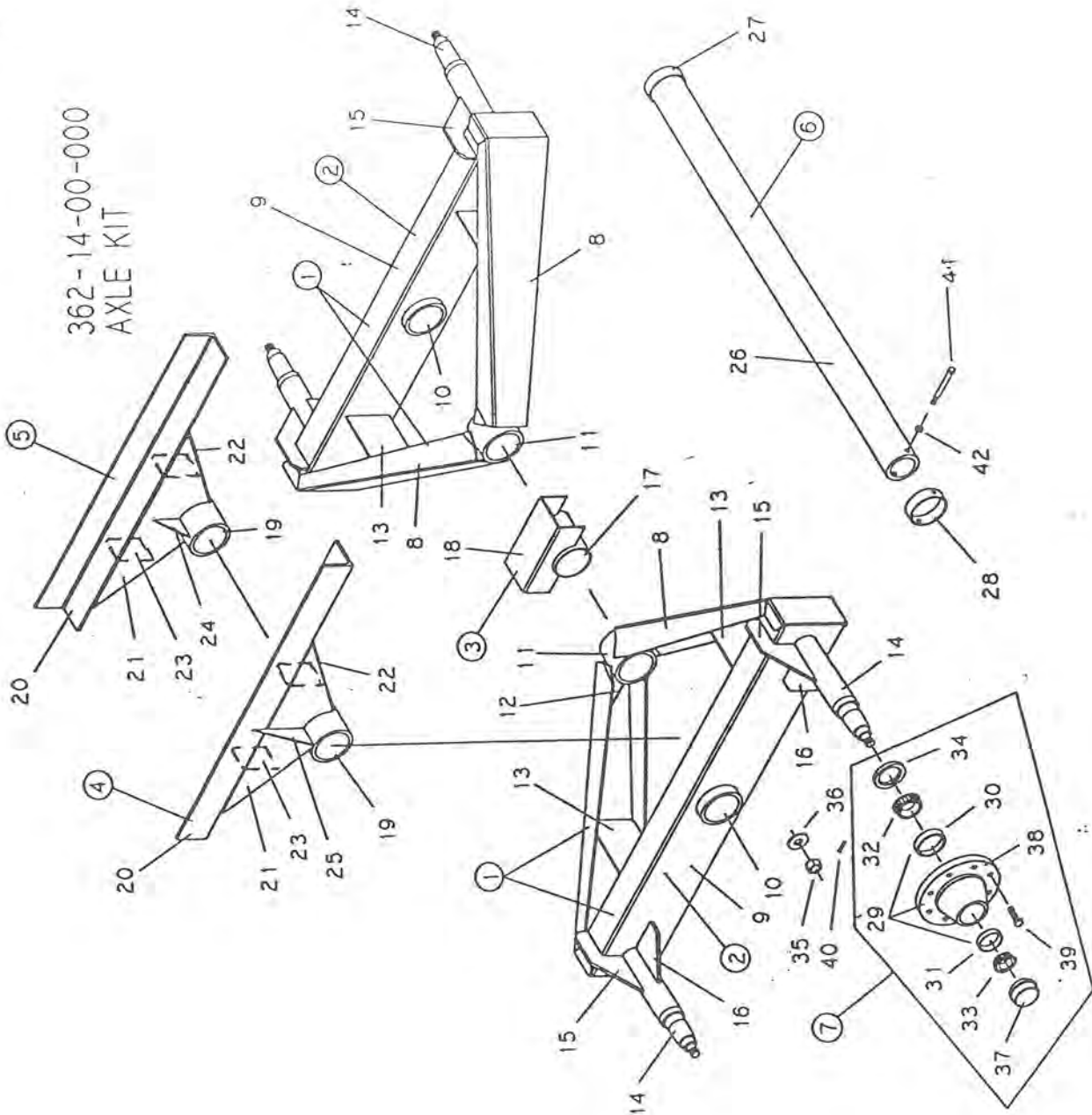




TONGUE & HITCH

<u>KEY</u>	<u>PART NUMBER</u>	<u>DESCRIPTION</u>	<u>QTY</u>
1	364-35-00-000	TONGUE ASSY	1
2	364-05-00-000	SID HITCH ASSY	1
3	364-26-00-000	SINGLE POINT HITCH ASSY	1
4	315-39-00-000	LOCK PIN ASSY	2
5	364-35-00-115	R H TONGUE TUBE	1
6	364-35-00-116	L H TONGUE TUBE	1
7	364-35-00-117	HITCH BOLT PLATE	1
8	364-35-00-118	TONGUE TUBE UPPER GUSSET	1
9	364-35-00-119	TONGUE TUBE LOWER GUSSET	1
10	315-36-00-145	BUSHING	2
11	315-36-00-146	SIDE PIECE	4
12	315-36-00-147	TONGUE TUBE END CAP	2
13	315-31-00-115	TONGUE 'U' PIECE	2
14	315-39-00-155	LOCK PIN	2
15	364-05-00-030	HITCH BACK PLATE	1
16	364-05-00-031	HITCH PLATE	2
17	364-05-00-032	HITCH SIDE GUSSET	2
18	364-05-00-033	HITCH UPPER GUSSET	1
19	364-26-00-091	SINGLE POINT HITCH	1
20	364-26-00-092	SINGLE POINT HITCH GUSSET	2
21	364-26-00-093	HITCH UPPER & LOWER GUSSET	2
22	364-00-00-131	U BOLT SPACER	2
23	364-35-00-189	TONGUE JACK STORAGE BRACKET	1
24	R07820	3/4 NF HEX NUT	4
25	R07807	3/4" LOCK WASHER	8
26	R07787	3/4" HEX NUT	4
27	R07655	3/4 X 2 1/2 HEX BOLT	4
28	R07828	1 FLAT WASHER	2
29	R07830	1 1/4 FLAT WASHER	2
30	R08016	1/4 X 2 COTTER PIN	2
31	R09751	7000 LB SIDE WIND JACK	1
32	R08172	3/4 NF X 10" U BOLT	2

362-14-00-000
AXLE KIT



<u>KEY</u>	<u>PART NUMBER</u>	<u>DESCRIPTION</u>	<u>QTY</u>
1	362-14-14-000	TANDEM SIDE ASSY	2
2	362-14-10-000	WALKING BEAM ASSY	2
3	315-34-00-000	TANDEM CENTRE YOKE ASSY	1
4	315-35-00-000	AXLE PIVOT ASSY R.H.	1

5	315-02-00-000	AXLE PIVOT ASSY L.H.	1
6	315-04-00-000	AXLE TUBE ASSY	1
7	300-27-00-000	8-BOLT HUB ASSY COMPLETE	4
8	315-33-00-124	TANDEM SIDE ARM	4

9	362-14-10-055	WALKING BEAM	2
10	315-33-00-127	ROCKER SLEEVE - OUTER	2
11	315-33-00-120	ROCKER SLEEVE - INNER	2
12	315-33-00-126	CENTRE GUSSET	4

13	315-33-00-125	STIFFENER PLATE	4
14	362-14-10-056	SPINDLE	4
15	362-10-10-080	GUSSET	4
16	315-33-00-122	SPINDLE GUSSET	4

17	315-34-00-128	SPACER SLEEVE	1
18	315-34-00-129	CENTRE YOKE	1
19	315-35-00-130	STATIONARY SLEEVE	2
20	315-35-00-131	SILL ANGLE PLATE	2

21	315-35-00-132	AXLE SIDE PLATE	4
22	315-35-00-133	COVER STRIP	4
23	315-35-00-134	INNER SUPPORT PLATE	4
24	315-35-00-135	PIVOT INNER GUSSET	2

25	315-35-00-166	PIVOT OUTER GUSSET	2
26	315-04-00-530	AXLE TUBE	1
27	330-08-00-528	STOP RING	1
28	315-00-00-137	AXLE RETAINING RING	1

29	R20125	8-BOLT HUB WITH CUPS	4
30	R20112	INNER CUP	4
31	R20113	OUTER CUP	4
32	R20114	INNER CONE	4

33	R20115	OUTER CONE	4
34	R20116	HUB SEAL	4
35	R20117	SPINDLE NUT	4
36	R20118	SPINDLE WASHER	4

37	R20119	DUST CAP	4
38	R20126	8-BOLT HUB LESS CUPS	4
39	R20120	5/8 X 2-3/8 N.F. WHEEL BOLT	32
40	R07943	3/16 X 1-1/2 ROLL PIN	4

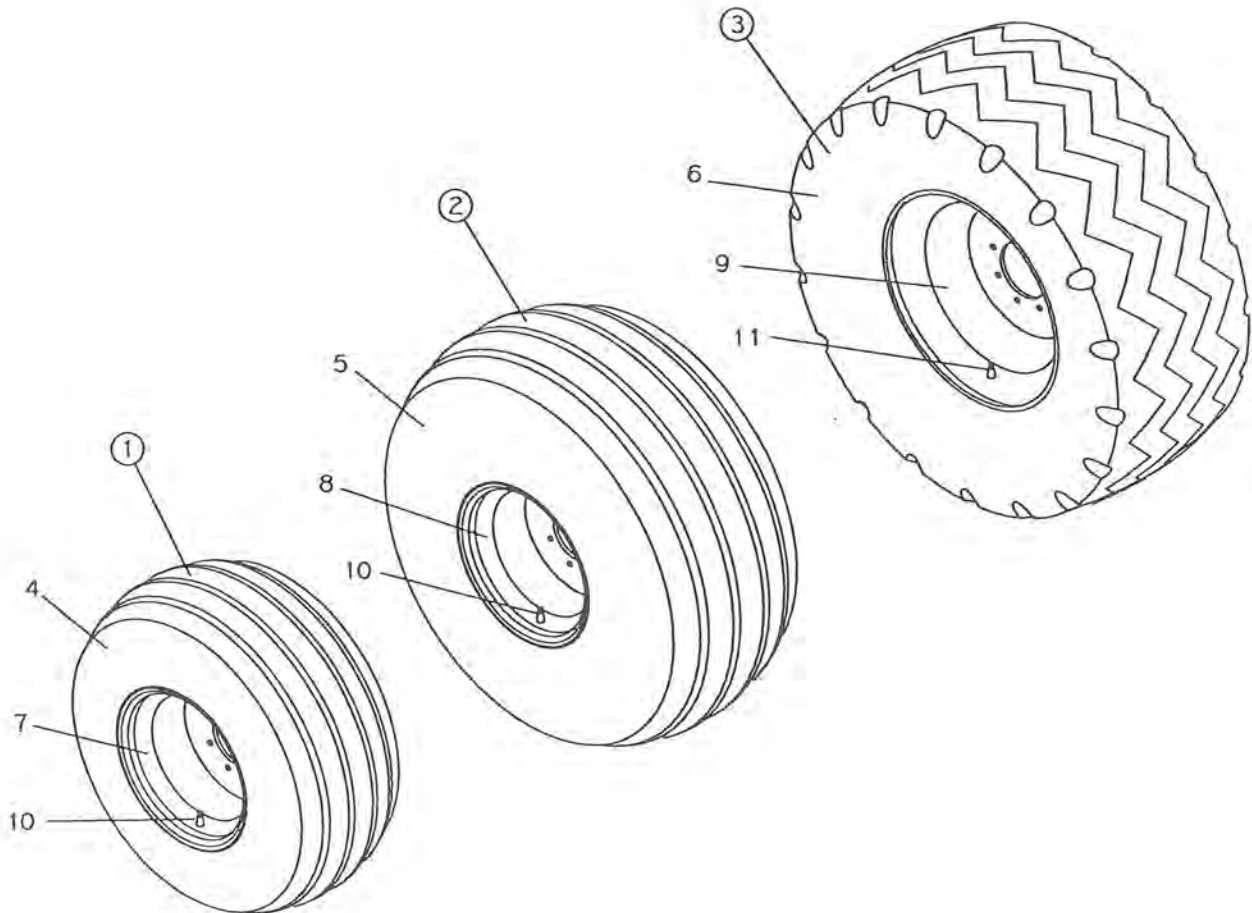
41	R07644	1/2 X 5 UNC BOLT	1
42	R07785	1/2 HEX NUT	1

<u>KEY</u>	<u>PART NUMBER</u>	<u>DESCRIPTION</u>	<u>QTY</u>
1	300-26-00-000	16.5 X 16.1 TIRE AND WHEEL ASSY	4
2	325-64-00-000	21.5 X 16.1 TIRE & WHEEL, 8-BOLT, 10-PLY	*
3	340-55-00-000	18 X 22.5 TRUCK TIRE,T&W 8-BOLT	*
4	R20004	16.5 X 16.1 IMPLEMENT TIRE	4

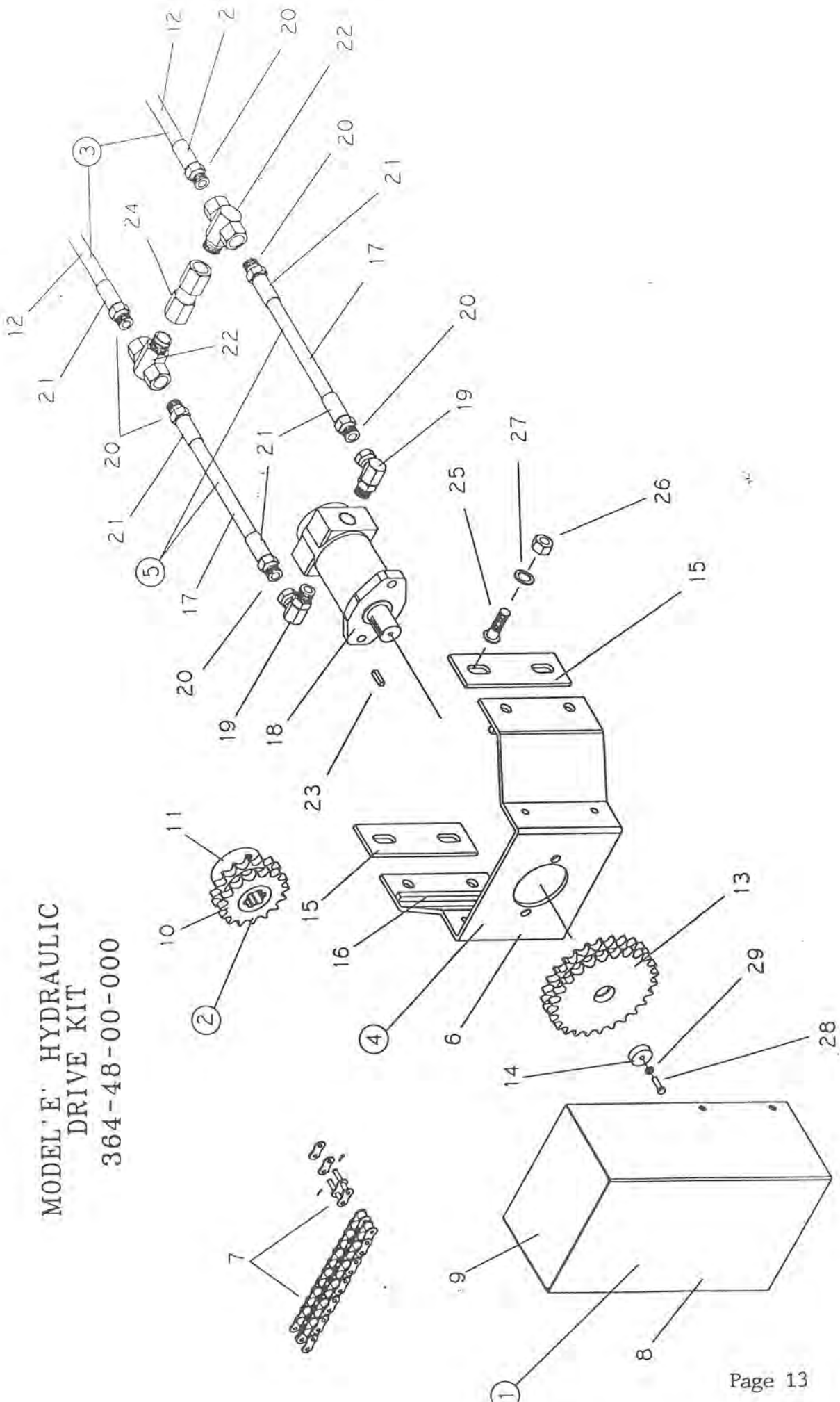
5	R20005	21.5 X 16.1 IMPLEMENT TIRE 10-PLY	*
6	R20011	18 X 22.5 USED TRUCK TIRE	*
7	R20073	16.1 WHEEL FOR 16.5 TIRE 8-BOLT	4
8	R20074	16.1 WHEEL FOR 21.5 TIRE 8-BOLT	*

9	R20058	13.5 WHEEL FOR 18" TRUCK TIRE 8 BOLT	*
10	R20020	VALVE STEM	4
11	R20032	TUBE FOR 18 X 22.5 TRUCK TIRE	*
12	R20024	REPAIR TUBE FOR 16.5 TIRE (NOT SHOWN)	*

13	R20025	REPAIR TUBE FOR 21.5 TIRE (NOT SHOWN)	*



MODEL 'E' HYDRAULIC
DRIVE KIT
364-48-00-000



MODEL E HYDRAULIC DRIVE KIT
364-48-00-000

<u>KEY</u>	<u>PART NUMBER</u>	<u>DESCRIPTION</u>	<u>QTY</u>
1	364-48-22-000	GUARD ASSY	1
2	364-48-23-000	FAN SHAFT SPROCKET ASSY	1
3	364-48-24-000	HYDRAULIC HOSE ASSY - TO TRACTOR	2
4	364-48-31-000	MOTOR MOUNT ASSY	1
5	364-48-32-000	HYDRAULIC HOSE ASSY-MOTOR TO CHK VALVE	2
6	364-48-31-157	HYDRAULIC MOTOR MOUNT	1
7	364-48-00-158	#60 DOUBLE ROLLER CHAIN W/CONN	1
8	364-48-22-159	GUARD BODY	1
9	364-48-22-160	GUARD CAP	1
10	364-48-23-161	FAN SHAFT SPROCKET #D60B16	1
11	364-48-23-162	SPLINE ADAPTOR	1
12	364-48-24-163	3/4" HYDRAULIC HOSE	2
13	364-48-00-166	MOTOR SPROCKET #D60B26	1
14	364-48-00-167	PLUG	1
15	364-48-00-185	MOTOR MOUNT BRKT	2
16	364-48-31-186	GUIDE BAR	2
17	364-48-32-187	3/4" HYDRAULIC HOSE	2
18	R21346	110 SERIES NICHOLS-GRAY HYD MOTOR	1
19	R21323	7/8-14 SAE ORING BOSS 3/4NPT SW ADAPTR	2
20	R21241	3/4" MALE SOLID STEM	8
21	R20824	3/4" FERRULE	8
22	R21393	3/4 NPT HYD SWIVEL TEE	2
23	R11114	KEY	1
24	R21202	3/4" NPT IN LINE CHECK VALVE	1
25	R07753	5/8 X 1 1/2 CARRIAGE BOLT	4
26	R07786	5/8 HEX NUT	4
27	R07806	5/8 LOCK WASHER	4
28	R07603	1/4 X 1 1/2 HEX BOLT	1
29	R07801	1/4" LOCK WASHER	1

80 DEG. BONDIOLI AND PAVESI CV PTO -R21592 540 RPM
 -R21593 1000RPM

KEY	MFG #	PART #	DESCRIPTION	QTY
1		R21712	1 3/4" - 20T YOKE	1
	573040375	R21681	YOKE W/ BRIDGE 540 RPM	1
	573043775	R21680	YOKE W/ BRIDGE 1000 RPM	
2	606404001	R21695	TORQUE LIM SB4/4	1 *
3	338009000	R21683	CIRCLIP	8

4	348004000	R21655	GREASE NIPPLE	3
5	511040051	R21685	CENTRAL BODY	1
6	215046854	R21686	YOKE	1
7	348017000	R21687	GREASE NIPPLE	1

8	341038000	R21475	FLEXIBLE PIN	1 *
9	225310630	R21689	CARDAN TUBE	1
10	245100630	R21690	CARDAN TUBE CM	1
11	341048000	R21476	FLEXIBLE PIN	1 *

12	204046852	R21472	INNER TUBE YOKE	1 *
13	412040012	R21682	CROSS JOURNAL ASSY	2
14	41204	R21693	CROSS JOURNAL ASSY	1
15	338017000	R21694	CIRCLIP	4

16	255040005	R21696	O.BEARING 3-4	1 *
17	254040024	R21697	O.BASIC CONES N3-4	1
18	236680577	R21698	CM SAFETY TUBE	1
19	236670577	R21699	CM SAFETY TUBE	1

20	517040061	R21700	I. CONE SET N3-4	1
21	255040006	R21701	I. BEARING 3-4	1 *
22	255040351	R21702	RING NUT DOWELS	1
23	517048001	R21703	COMPLETE SHELL	1

24	5NE4078W1654	R21709	HALF SAFETY GUARD	1
25	5NI40788NN	R21710	HALF SAFETY GUARD	1
26	403000001	R21669	COMPLETE PUSH BUTTON	1 ~
27	240080061	R21670	HUB	1 ~

28	213040020	R21704	SHEAR YOKE	1
29	401000001	R21451	COMPLETE PUSH BUTTON	1 ~*
30	513070324	R21706	HUB C/W QUICK DISCONNECT	1
31	362002000	R21705	1/4" BALL	23

32	348012000	R21672	GREASE NIPPLE	1
33	432000047	R08251	M8 1.25 X 45 BOLT	1
34		R08252	M8 1.25 X LOCK NUT	1
35	5N04078W1654	R21711	SAFETY GUARD	1

* SAME AS 70 DEG. CV. PTO

~ SAME AS K31

