

Date Purchased \_\_\_\_\_ Machine Serial No. \_\_\_\_\_

Size of Spreader \_\_\_\_\_ Options \_\_\_\_\_

The key number system in this parts book is arranged as follows:

- ⊙ - Key numbers with two circles denotes main assemblies.
- - Key numbers with one circle are individual parts

Please order parts by number



**15000L ELITE SPREADER ▪ 359-00-00-000**

**OPERATING INSTRUCTIONS:**

1. Heed all warnings.
2. Minimum HP requirements to safely operate on level terrain, on hilly terrain HP should be increased.

4500L	-----	70 HP
7000L	-----	85 HP
9000L	-----	95 HP
12000L	-----	110 HP
14000L	-----	130 HP
15000L	-----	140 HP
18000L	-----	160 HP
23000L	-----	200 HP
28000L	-----	250 HP

3. If machine is equipped with hydraulic brakes that are operated from the tractor hydraulics, they will not work should the tractor motor stop. Inspect brakes before each use. Brakes must be bled before initial use unless installed at factory. When releasing brakes the tractor hydraulic lever must be put in the opposing position to release pressure. Do not put in float position they will not release.
4. Tractor PTO spline must be approximately 14" (355mm) from end of compressed PTO for proper adjustment
5. Hitch tanker to tractor with minimum 1" (25mm) hardened hitch pin with a safety lock. Use 10,000 Lbs safety chain from spreader to tractor.
6. Do not use tongue stand to support loaded spreader. Put jack in storage position before using.
7. When hooking PTO to tractor make sure motor is stopped. Make sure QD (Quick Disconnect) safety locking pin is in locked position before using.
8. Clean off hose ends before plugging into tractor hydraulics. If spreader is equipped with hydraulic drive on spreading attachment, make sure tractor has sufficient oil flow and pressure to maintain satisfactory spread pattern, if not use another tractor.



## OPERATING INSTRUCTIONS continued:

9. After using spreader in freezing conditions make sure impeller housing is drained.
10. Wash tank inside and out each time work is finished. This will increase the life of the tank by many years. See item 6 of Safety instructions
11. Do not drive on public roads after dusk unless equipped with lights required by Department of Transportation in your area.
12. Remove wheels annually and grease wheel bearings.
13. Because manure smells, many farmers have made unfriendly neighbours. If in a residential area a manure injector is a recommended option to bury the smell.
14. Much of the fertilizer value of manure is lost when exposed to air. Getting the manure covered quickly is a very important part of spreading manure.
15. If rustproof coating on interior shows signs of deterioration, have interior repainted. This can be done with a roller or brush. This helps to increase the life of your spreader. It is a valuable maintenance procedure.

## SAFETY INSTRUCTIONS:

Do not operate this machine until you fully understand the safe operating practices.

1. Make sure all moving parts are shielded to prevent coming in contact with loose clothing.
2. Keep children clear; do not let children or any person(s) ride the spreader at anytime.
3. Do not support loaded spreader on tongue jack.
4. Keep tire pressure to recommended pressure at all times. Recommended tire pressure being:

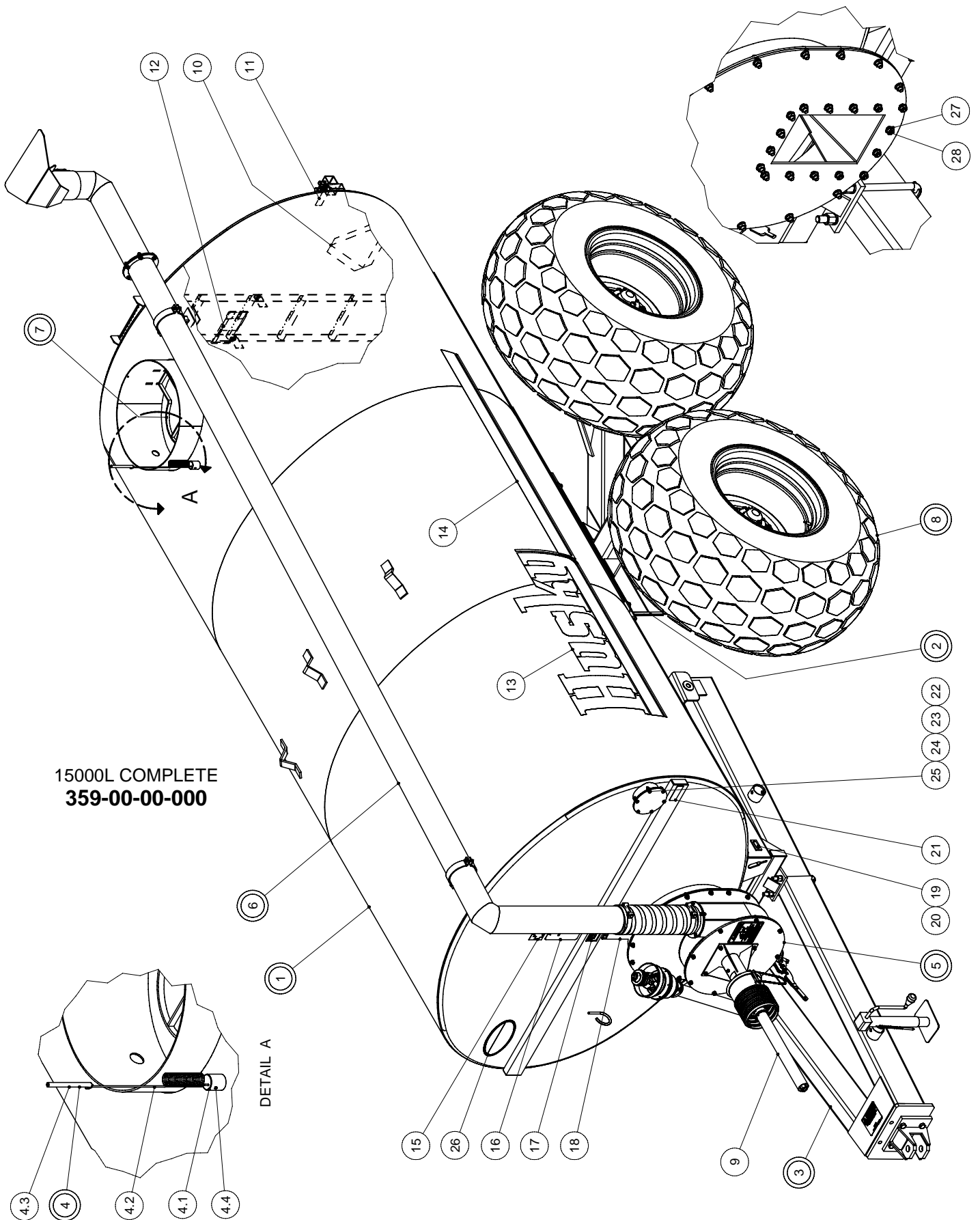
		Lbs	KPA
40 x 14	Airplane Tires	55	379
44 x 16	Airplane Tires	55	379
47 x 18 x 18	Airplane Tires	55	379
50 x 20 x 20	Airplane Tires	55	379
16.5L x 16.1	Implement Tires	35	241
21.5L x 16.1	Implement Tires	35	241
18.4L x 26	Turf Tires	30	207
23.1L x 26	Turf Tires	24	166
28L x 26	Turf Tires	24	166
30.54L x 32	Turf Tires	24	166
35.5L x 32	20 ply Turf Tires	32	220
18L x 22.5	Truck Tires	65	448
23.5L x 25	Loader Dozer Tires	55	379

5. Keep wheel bolts torqued to the recommended torque at all times. (Check Daily)

Wheel Bolt Size	Ft/Lbs Torque (Dry)	Ft/Lbs. - Oiled	Meter/Kg - Torque Dry	Meter/Kg - Oiled
9/16 – 18 NF GR. 5	120	90	16.59	12.44
5/8 – 18 NF GR. 8	240	180	33.18	24.89
3/4 – 16 NF GR. 8	420	310	58.07	42.86

6. Never enter a tanker without special breathing equipment to supply oxygen. Manure gases can kill instantly. One breath of Hydrogen Sulphide can kill.
7. When repairing hydraulic hoses, always relieve pressure in hose. Always wear safety glasses while working on spreader.
8. Caution – disc brakes will not release until valve lever is held momentarily in opposite position. This will relieve pressure in brake line. Do not put in float position, they will not release. (Rule does not apply to Husky Manure Spreaders equipped with a Knott Brake System)

15000L COMPLETE



15000L COMPLETE  
359-00-00-000

DETAIL A

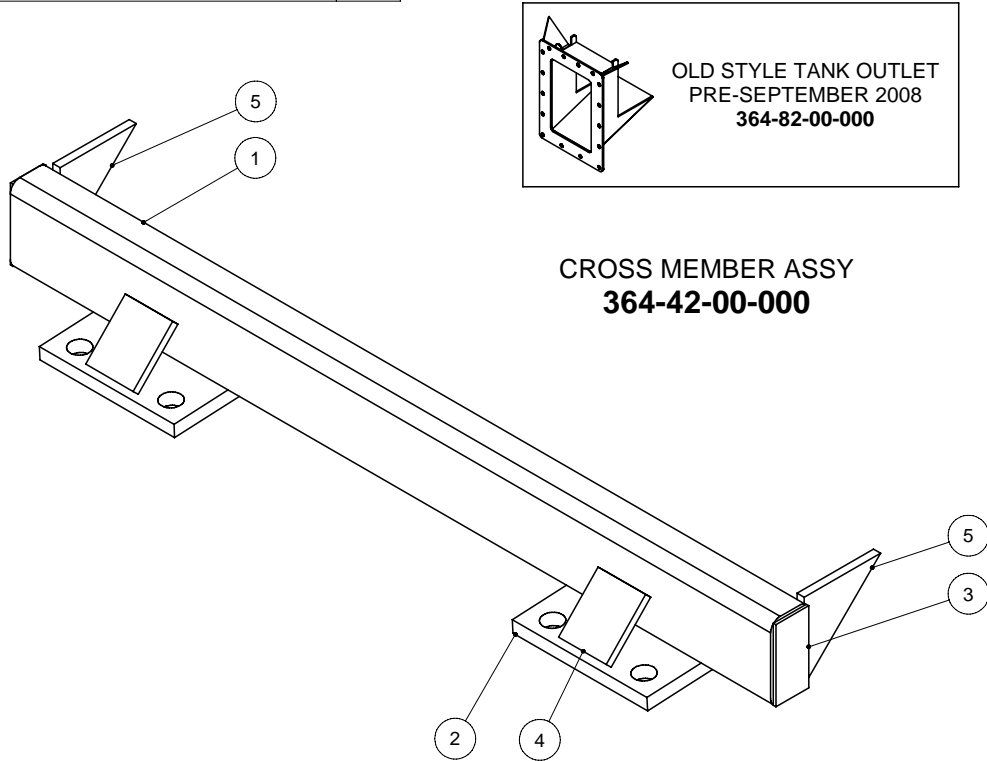
# 15000L COMPLETE

PARTS LIST			
ITEM	PART NUMBER	DESCRIPTION	QTY
1	359-29-00-000	15000L TANK, SILL & FUNNEL ASSY	1
2	359-77-00-000	AXLE KIT FOR 28L X 26 TIRES-15000L	1
3	364-33-00-000	EXTENDED TONGUE KIT	1
4	340-62-00-000	INDICATOR KIT	1
4.1	340-00-00-536	FLAG SPRING HOLDER	1
4.2	R08037	SPRING FOR SPREADER FLAG	1
4.3	340-62-00-553	INDICATOR HOSE	1
4.4	R07926	5/16-18 x 1/4" SET SCREW	1
5	364-23-00-000	540 FAN & HOUSING KIT	1
6	359-85-00-000	15000L 6" DISCHARGE PIPE KIT	1
7	357-63-00-000	SAFETY BAR ASSY	1
8	330-04-00-000	28L x 26 TIRE & WHEEL ASSY	4
9	R21582	540 RPM PTO	1
10	R09501	SLOW MOVING VEHICLE DECAL	1
11	R10096	RED REFLECTOR	2
12	R10334	TOXIC GAS PICTORAL DECAL	1
13	R09510	"HUSKY" DECAL	2
14	R09511	ACCENT STRIP	2
15	R09509	"MADE IN CANADA" DECAL - LARGE	1
16	R09730	TORQUE, TIRE PRESSURE DECAL	1
17	R09512	CAPACITY DECAL	1
18	R09783	"CAUTION" DECAL	1
19	R09071	SERIAL NUMBER PLATE	1
20	R08152	6 x 1/4 PAN HD SOCKET SCREW	2
21	R10097	AMBER REFLECTOR	1
22	330-00-00-559	ACCESS TUBE COVER PLATE	1
23	R07783	3/8 HEX NUT	6
24	R07803	3/8 LOCK WASHER	6
25	R07675	3/8 x 1 1/4" HEX BOLT	6
26	R10335	MANURE SPILL DECAL	1
27	R07879	7/16-14 UNC FLANGE NUT	16
28	R07671	7/16 x 1 1/4 UNC HEX BOLT	17



# 15000L TANK & SILL ASSY

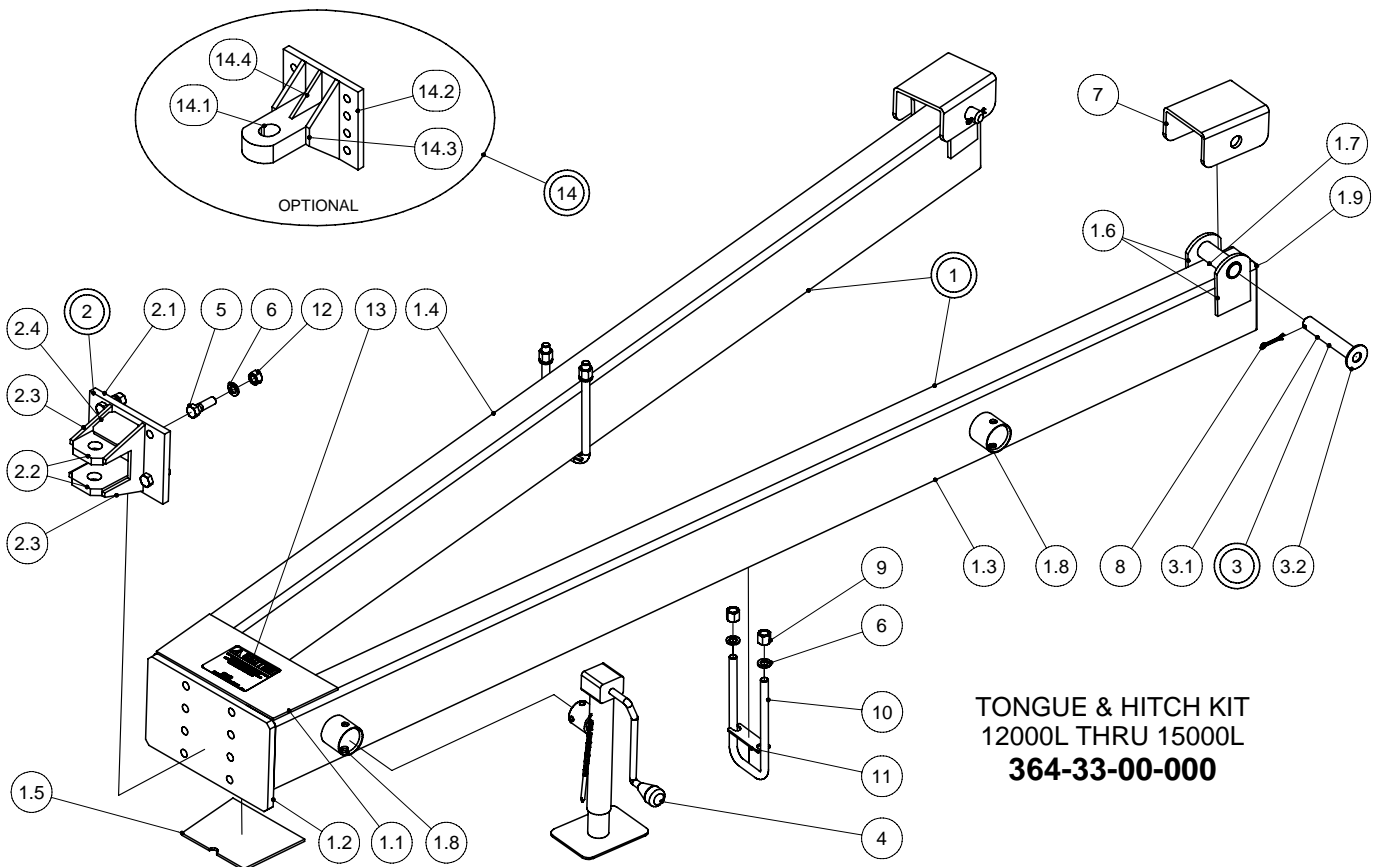
PARTS LIST				PARTS LIST			
ITEM	PART NUMBER	DESCRIPTION	QTY	ITEM	PART NUMBER	DESCRIPTION	QTY
1	335-01-03-000	15000L TANK & SILL ASSY	1	2.1.2	358-93-01-583	OUTLET FLOOR	1
1.1	335-01-01-000	15000L TANK ASSY	1	2.1.3	358-93-01-584	OUTLET FLANGE	1
1.1.1	335-01-04-000	14 & 15000L "E" BAFFLE ASSY	1	2.2	358-93-00-585	OUTER COVER PLATE	1
1.1.1.1	330-66-21-256	14 & 15000L FLANGED TANK BAFFLE	1	2.3	R07671	7/16 x 1 1/4 UNC HEX BOLT	14
1.1.1.2	335-01-04-005	15000L BAFFLE SUPPORT TUBE	2	2.4	R07879	7/16-14 UNC FLANGE NUT	14
1.1.2	335-01-01-002	15000L TANK SHELL	3	3	364-42-00-000	CROSS MEMBER ASSY	1
1.1.3	330-66-21-254	14 & 15000L FLANGED TANK END	2	4	330-20-03-000	ACCESS TUBE ASSY	1
1.1.4	340-01-01-559	OVAL REINFORCING PLATE	2	4.1	330-20-03-560	ACCESS TUBE FLANGE	1
1.2	335-01-00-001	15000 L SILL	2	4.2	330-20-03-556	ACCESS TUBE	1
1.3	330-67-00-260	SILL CAP	4	5	364-95-00-000	LADDER ASSY	1
1.4	330-66-00-257	TANK END STIFFENER	2	6	357-30-03-000	MOUNT BRKT ASSY	2
1.5	330-66-00-258	STIFFENER END CAP	4	7	364-02-00-006	24" MANHOLE	1
1.6	300-01-00-012	TANK LIFT HOOK	3	8	364-02-00-280	AXLE ADJUSTMENT ANGLE	2
2	358-93-00-000	2008 STYLE FRONT END KIT	1	9	315-30-00-108	HYD. HOSE HOOK	1
2.1	358-93-01-000	TANK OUTLET ASSY-2008	1	10	340-01-00-498	SERIAL NO. BACK PLATE	1
2.1.1	358-93-01-582	OUTLET BAND	1				



PARTS LIST			
ITEM	PART NUMBER	DESCRIPTION	QTY
1	364-02-17-120	CROSS MEMBER	1
2	364-02-17-122	TONGUE STRAP	2
3	364-02-17-121	END CAP	2
4	364-02-17-123	TONGE STRAP GUSSET	2
5	364-02-17-128	CROSS MEMBER GUSSET	2

# 12000L-15000L TONGUE & HITCH KIT

PARTS LIST				PARTS LIST			
ITEM	PART NUMBER	DESCRIPTION	QTY	ITEM	PART NUMBER	DESCRIPTION	QTY
1	364-32-00-000	TONGUE ASSY	1	3.2	R07828	1" FLAT WASHER	1
1.1	364-32-00-379	TONGUE TUBE UPPER GUSSET	1	4	R09751	7000LB SIDE WIND JACK	1
1.2	364-35-00-117	HITCH BOLT PLATE	1	5	R07655	3/4 x 2 1/2 HEX BOLT	4
1.3	364-32-00-378	LH TONGUE TUBE - LONG STYLE	1	6	R07807	3/4" LOCK WASHER	8
1.4	364-32-00-377	RH TONGUE TUBE - LONG STYLE	1	7	315-31-00-115	TONGUE "U" PC	2
1.5	364-32-00-380	TONGUE TUBE LOWER GUSSET	1	8	R08016	1/4 x 2 COTTER PIN	2
1.6	315-36-00-146	TONGUE SIDE PC	4	9	R07820	3/4" FED. HIGH HEX NUT	4
1.7	315-36-00-145	TONGUE BUSHING	2	10	R08172	3/4" UNF x 10" - "U" BOLT	2
1.8	364-35-00-245	TONGUE JACK BRKT	2	11	364-00-00-131	U - BOLT SPACER	2
1.9	315-36-00-147	TONGUE TUBE COVER	2	12	R07787	3/4 - 10 UNC HEX NUT	4
2	364-05-00-000	HITCH ASSY	1	13	R09672	CAUTION PTO LENGTH DECAL	1
2.1	364-05-00-030	HITCH BACK PLATE	1	14	358-44-00-000	SINGLE POINT HITCH ASST	1
2.2	364-05-00-031	HITCH PLATE	2	14.1	364-26-00-091	SINGLE POINT HITCH	1
2.3	364-05-00-032	HITCH SIDE GUSSET	2	14.2	358-43-00-139	HITCH BACK PLATE	1
2.4	364-05-00-033	HITCH GUSSET	2	14.3	358-44-00-144	SIDE GUSSET	2
3	315-39-00-000	LOCK PIN ASSY	2	14.4	358-44-00-145	TOP GUSSET	2
3.1	315-39-00-155	TONGUE LOCK PIN	1				

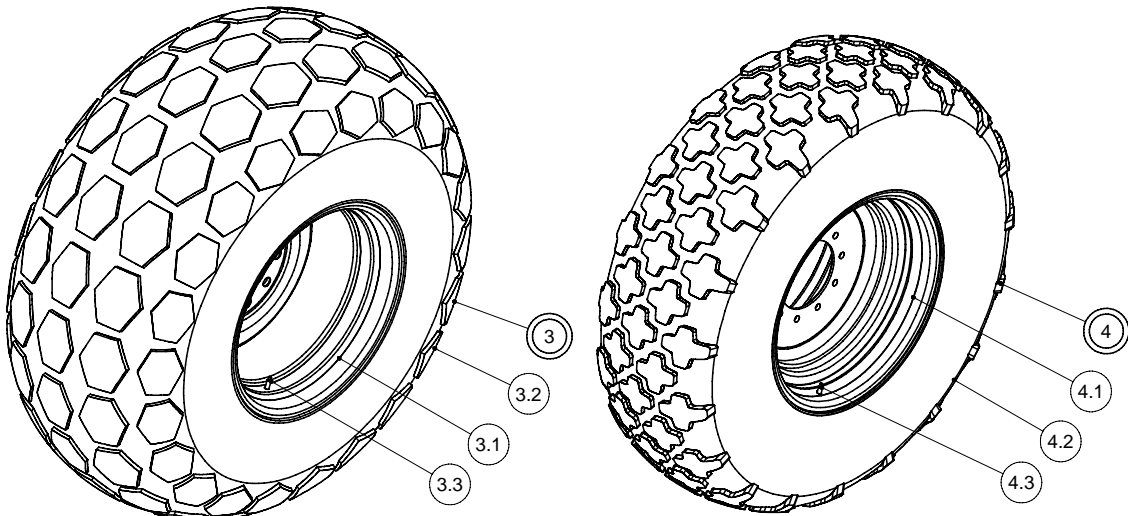




# 12000L THRU 15000L TIRES

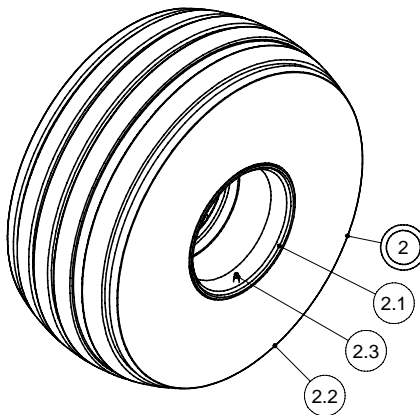
PARTS LIST				PARTS LIST			
ITEM	PART NUMBER	DESCRIPTION	QTY	ITEM	PART NUMBER	DESCRIPTION	QTY
1	340-19-00-000	18 x 22.5 USED TRUCK TIRE & WHEEL 10 BOLT	4	3	330-04-00-000	28L x 26 TIRE & WHEEL ASSY	4
				3.1	R20040	28L x 26 - 16000lb RIM	1
1.1	R20059	10 BOLT WHEEL 13.5 x 22.5	1	3.2	R20015	28L x 26 TURF TIRE	1
1.2	R20011	18 x 22.5 USED TRUCK TIRE	1	3.3	R20161	VALVE STEM	1
1.3	R20050	VALVE STEM FOR TRUCK TIRE	1	4	340-68-00-000	18.4 X 26 TIRE & WHEEL ASSY	4
2	326-02-00-000	21.5 x 16.1 10 PLY T&W 10 BOLT	*	4.1	R20075	16" x 26" 10 BOLT WHEEL	1
2	340-54-00-000	21.5 x 16.1 14 PLY T&W 10 BOLT	4	4.2	R20100	18.4" x 26" 10 PLY TBLS TIRE	1
2.1	R20056	RIM FOR 21.5 TIRE - 10 BOLT	1	4.3	R20161	VALVE STEM	1
2.2	R20014	21.5 x 16.1 14 PLY IMPLEMENT TIRE	1	5	359-80-00-000	TIRE & WHEEL ASSY - 700/50x26.5	4
	R20005	21.5 x 16.1 10 PLY IMPLEMENT TIRE	*	5.1	R22555	24 x 26.5 10-11.25 WHEEL	1
2.3	R20020	VALVE STEM	1	5.2	R22554	700/50x26.5 TBLS TIRE	1
				5.3	R20161	VALVE STEM	1

\* OPTIONAL

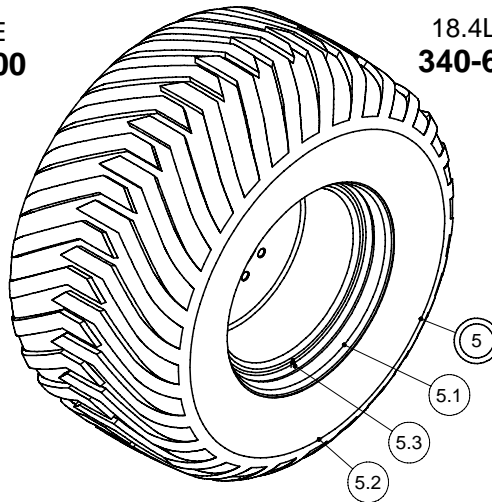


**28L x 26 TIRE  
330-04-00-000**

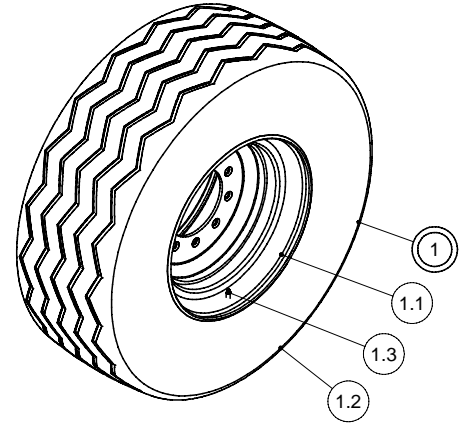
**18.4L x 26 TIRE  
340-68-00-000**



**21.5 x 16.1 IMPLEMENT TIRE  
326-02-00-000 - 10 PLY  
340-54-00-000 - 14 PLY**



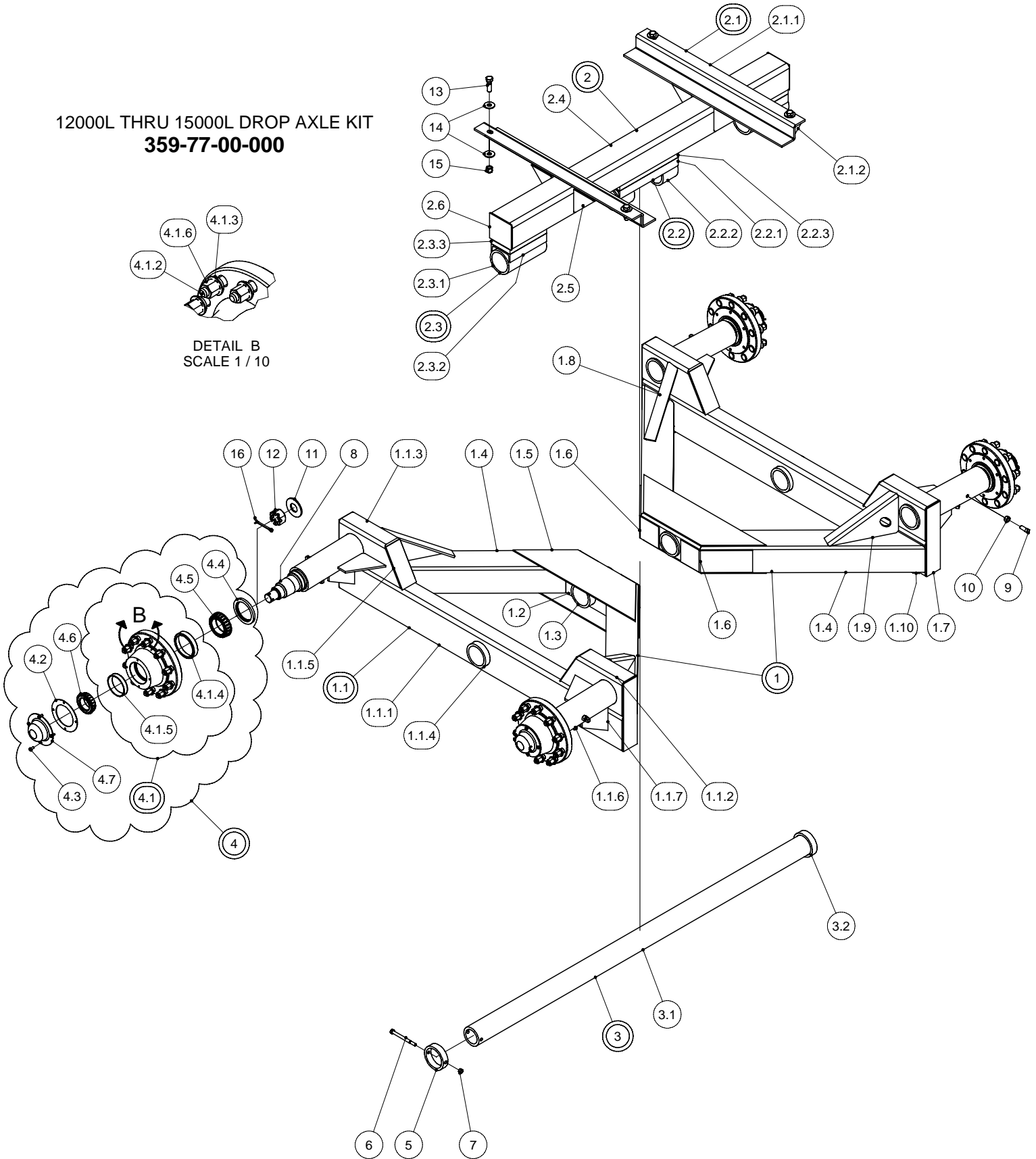
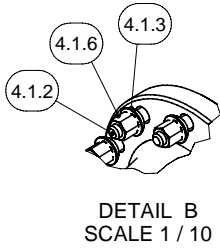
**700/50-26.5 16-PLY ALLIANCE TIRE  
359-80-00-000**



**18 x 22.5 USED TRUCK TIRE  
340-19-00-000**

# 12000L THRU 15000L DROP AXLE KIT

12000L THRU 15000L DROP AXLE KIT  
**359-77-00-000**

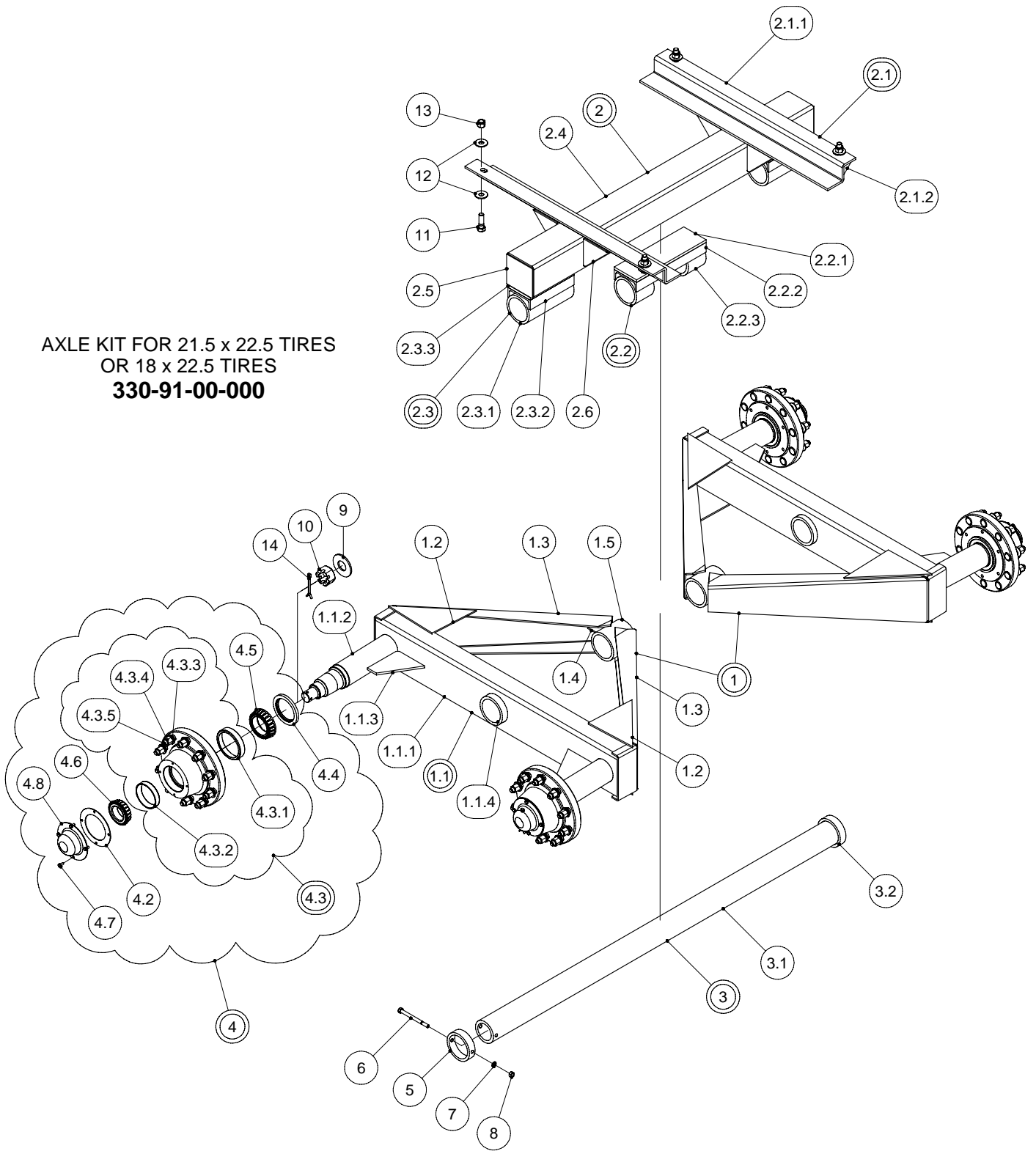


## 12000L THRU 15000L DROP AXLE KIT

PARTS LIST				PARTS LIST			
ITEM	PART NUMBER	DESCRIPTION	QTY	ITEM	PART NUMBER	DESCRIPTION	QTY
1	359-77-02-000	TANDEM SIDE ASSY	2	2.5	315-31-00-116	DOUBLE GUSSET	4
1.1	359-77-01-000	WALKING BEAM ASSY	1	2.6	325-62-00-238	COVER PLATE	2
1.1.1	330-03-42-505	WALKING BEAM (28L x 26 TIRES)	1	3	330-09-00-000	MAIN AXLE TUBE ASSY	1
1.1.2	364-70-01-390	SPINDLE SLEEVE HOLDER	1	3.1	330-09-00-529	MAIN AXLE TUBE	1
1.1.3	364-70-01-391	SPINDLE SLEEVE HOLDER	1	3.2	330-08-00-528	STOP RING	1
1.1.4	315-33-00-127	OUTER ROCKER SLEEVE	1	4	358-11-00-000	16000LB DUCTILE HUB KIT	4
1.1.5	330-03-42-512	ANGLED END CAP	2	4.1	358-11-00-259	16000LB DUCTILE HUB W/CUPS	1
1.1.6	364-70-01-392	SPINDLE SLEEVE	2	4.1.1	R22049	HUB,C,BT,N,W,358-11-00-259	1
1.1.7	330-91-36-486	SPINDLE GUSSET	4	4.1.2	R20096	3/4" WHEEL BOLTS	10
1.2	359-77-02-510	MIDDLE CONNECTOR TUBE	1	4.1.3	R20152	3/4" SPHERICAL WASHER	10
1.3	358-83-01-235	WALKER SLEEVE	1	4.1.4	R20088	47620 INNER CUP	1
1.4	359-77-02-512	TANDEM SIDE ARM	2	4.1.5	R20089	39520 OUTER CUP	1
1.5	359-77-02-513	REINFORCING PLATE	2	4.1.6	R07820	3/4" FED. HIGH HEX NUT	10
1.6	359-77-02-514	TIE PLATE	2	4.2	R20084	DUST CAP GASKET. 10 BOLT	1
1.7	359-77-02-511	END CAP	2	4.3	R07690	5/16 x 5/8 HEX BOLT	4
1.8	359-77-02-515	SIDE ARM GUSSET-REAR	1	4.4	R20083	CR-38730 HUB SEAL	1
1.9	359-77-02-516	SIDE ARM GUSSET-FRONT	1	4.5	R20086	476871 3 1/4" INNER CONE	1
1.10	359-77-02-517	BOTTOM GUSSET	2	4.6	R20087	39585 2 1/2" OUTER CONE	1
2	359-77-03-000	BASE FRAME ASSY - 28L x 26 TIRES	1	4.7	R20093	DUST CAP - 16000 LB HUB	1
2.1	330-69-01-000	SILL "Z" PLATE ASSY	2	5	315-00-00-137	RETAINING RING	1
2.1.1	358-85-00-253	SILL "Z" PLATE	1	6	R07645	1/2 X 6 HEX BOLT	1
2.1.2	330-69-00-550	GUSSET	2	7	R07785	1/2 HEX NUT	1
2.2	359-77-05-000	CENTER SLEEVE ASSY	1	8	340-00-00-347	16000 SPINDLE	4
2.2.1	330-69-22-263	CENTER CHANNEL SPACER	1	9	R07927	5/8 x 1 1/2 SQ. HD. SET SCREW	8
2.2.2	330-69-22-264	CENTRE SLEEVE	2	10	R07786	5/8 HEX NUT	8
2.2.3	359-77-05-519	CENTER SPACER PAD	1	11	340-00-00-556	1 13/16 SPINDLE WASHER	4
2.3	359-77-04-000	OUTER SLEEVE ASSY	2	12	R20092	1 3/4 - 12 UNF SPINDLE NUT	4
2.3.1	315-35-00-130	STATIONARY SLEEVE	1	13	R07655	3/4 x 2 1/2 HEX BOLT	4
2.3.2	325-62-18-240	LONG CHANNEL SPACER	1	14	R07827	3/4" FLAT WASHER	8
2.3.3	359-77-04-518	OUTER SPACER BAR	1	15	R07878	3/4 NYLOCK NUT	4
2.4	330-03-41-504	CROSS AXLE TUBE (28L x 26 TIRES)	1	16	R20095	5/16" x 4" COTTER PIN	4

# 12000L THRU 15000L STRAIGHT AXLE KIT

AXLE KIT FOR 21.5 x 22.5 TIRES  
OR 18 x 22.5 TIRES  
**330-91-00-000**

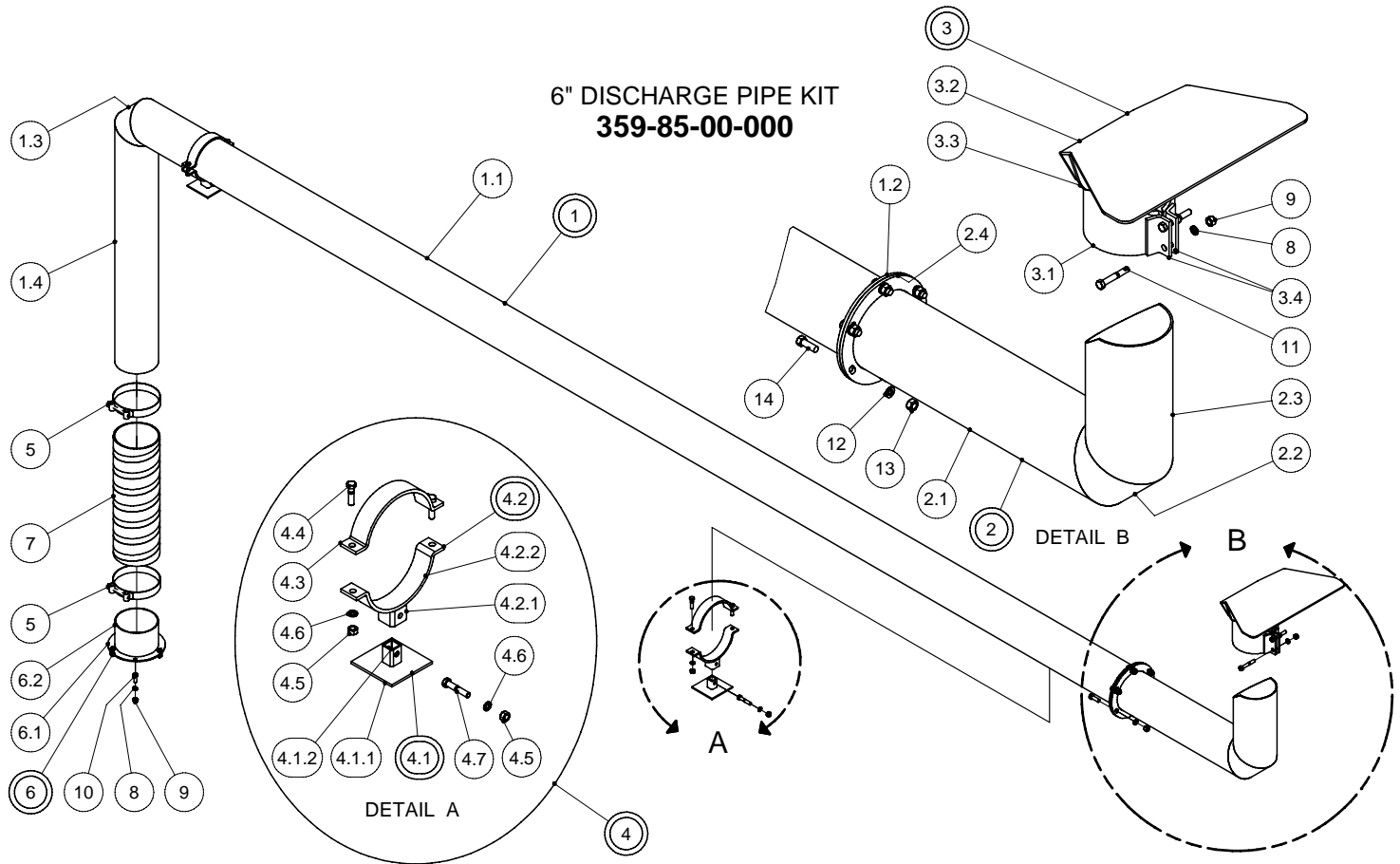


## 12000L THRU 15000L STRAIGHT AXLE KIT

PARTS LIST				PARTS LIST			
ITEM	PART NUMBER	DESCRIPTION	QTY	ITEM	PART NUMBER	DESCRIPTION	QTY
1	330-91-44-000	TANDEM SIDE ASSY	2	3	330-08-00-000	MAIN AXLE TUBE ASSY	1
1.1	330-91-36-000	WALKING BEAM ASSY w/ WELDED SPINDLE	1	3.1	330-08-00-527	MAIN AXLE TUBE	1
				3.2	330-08-00-528	STOP RING	1
1.1.1	325-63-00-245	WALKING BEAM	1	4	340-43-00-000	16000LB DUCTILE TURN DOWN HUB KIT	4
1.1.2	330-91-36-485	16000LB WELD IN SPINDLE	2				
1.1.3	330-91-36-486	SPINDLE GUSSET	2	4.2	R20084	DUST CAP GASKET. 10 BOLT	1
1.1.4	315-33-00-127	OUTER ROCKER SLEEVE	1	4.3	340-43-00-451	16000LB HUB w/ CUPS	1
1.2	330-91-44-526	GUSSET	4	4.3.1	R20088	47620 INNER CUP	1
1.3	325-63-00-246	TANDEM SIDE ARM	2	4.3.2	R20089	39520 OUTER CUP	1
1.4	325-63-00-244	TANDEM GUSSET	2	4.3.3	R20152	3/4" SPHERICAL WASHER	10
1.5	325-63-00-247	INSIDE ROCKER SLEEVE	1	4.3.4	R07820	3/4" FED. HIGH HEX NUT	10
2	330-69-00-000	BASE FRAME ASSY - 21.5 & 22.5 TIRES	1	4.3.5	R20096	3/4" WHEEL BOLTS	10
				4.4	R20083	CR-38730 HUB SEAL	1
2.1	330-69-01-000	SILL "Z" PLATE ASSY	2	4.5	R20086	476871 3 1/4" INNER CONE	1
2.1.1	358-85-00-253	SILL "Z" PLATE	1	4.6	R20087	39585 2 1/2" OUTER CONE	1
2.1.2	330-69-00-550	GUSSET	2	4.7	R07690	5/16 x 5/8 UNC HEX BOLT	4
2.2	330-69-22-000	CENTER SLEEVE ASSY	1	4.8	R20093	DUST CAP - 16000 LB HUB	1
2.2.1	330-69-22-262	CENTRE SLEEVE SPACER	1	5	315-00-00-137	RETAINING RING	1
2.2.2	330-69-22-263	CENTER CHANNEL SPACER	1	6	R07645	1/2 X 6 HEX BOLT	1
2.2.3	330-69-22-264	CENTRE SLEEVE	2	7	R07805	1/2 LOCK WASHER	1
2.3	325-62-18-000	STATIONARY SLEEVE ASSY	2	8	R07785	1/2 HEX NUT	1
2.3.1	315-35-00-130	STATIONARY SLEEVE	1	9	340-00-00-556	1 13/16 SPINDLE WASHER	4
2.3.2	325-62-18-240	LONG CHANNEL SPACER	1	10	R20092	1 3/4 - 12 UNF SPINDLE NUT	4
2.3.3	325-62-18-239	LONG BAR SPACER	1	11	R07655	3/4 x 2 1/2 HEX BOLT	4
2.4	330-69-00-261	CROSS AXLE SUPPORT	1	12	R07827	3/4" FLAT WASHER	8
2.5	325-62-00-238	COVER PLATE	2	13	R07878	3/4 NYLOCK NUT	4
2.6	315-31-00-116	DOUBLE GUSSET	4	14	R20095	5/16" x 4" COTTER PIN	4

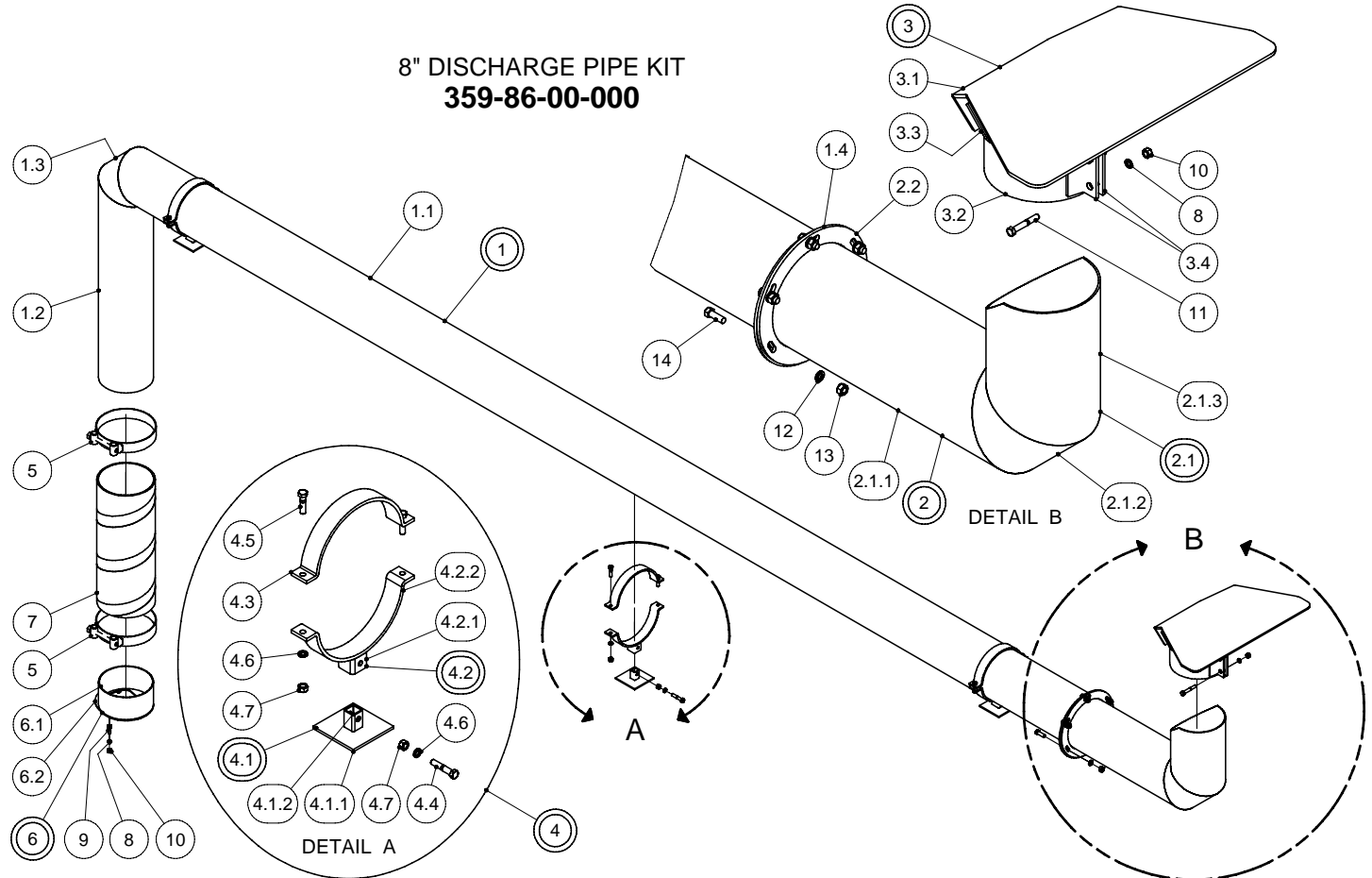
# 15000L 6" DISCHARGE KIT

PARTS LIST				PARTS LIST			
ITEM	PART NUMBER	DESCRIPTION	QTY	ITEM	PART NUMBER	DESCRIPTION	QTY
1	359-30-00-000	6" DISCHARGE PIPE ASSY-15000L	1	4.2.1	357-16-02-137	UPPER STUB	1
1.1	359-30-00-108	DISCHARGE PIPE HORZ. PC	1	4.2.2	357-16-00-133	TOP PIPE HOLDER - 6"	1
1.2	364-19-00-087	DISCHARGE PIPE FLANGE	1	4.3	357-16-00-133	TOP PIPE HOLDER - 6"	1
1.3	364-19-00-082	DISCHARGE PIPE CORNER PC	1	4.4	R07620	3/8 x 1 1/2 HEX BOLT	2
1.4	364-19-00-064	VERTICAL DISCHARGE TUBE	1	4.5	R07783	3/8 HEX NUT	3
2	364-25-00-000	DISCHARGE PIPE END SECTION ASSY	1	4.6	R07803	3/8 LOCK WASHER	3
2.1	364-25-00-088	DISCHARGE PIPE FLANGE PC	1	4.7	R07621	3/8 x 2" HEX BOLT	1
2.2	364-19-00-082	DISCHARGE PIPE CORNER PC	1	5	R02482	6" HOSE CLAMP	2
2.3	364-25-00-067	DISCHARGE PIPE END PC	1	6	364-31-00-000	HOSE TUBE ASSY - 6"	1
2.4	364-19-00-087	DISCHARGE PIPE FLANGE	1	6.1	364-01-03-376	DISCHARGE RING	1
3	364-68-00-000	SPLASH PLATE ASSY	1	6.2	364-01-03-063	DISCHARGE TUBE	1
3.1	364-68-00-215	CLAMPING TUBE	1	7	364-00-00-066	HOSE SECTION	1
3.2	364-21-00-069	SPLASH PLATE	1	8	R07803	3/8 LOCK WASHER	7
3.3	364-21-00-224	SPLASH PLATE WING	2	9	R07783	3/8 HEX NUT	7
3.4	364-21-00-071	CLAMPING TUBE BRKT	2	10	R07619	3/8 x 1 HEX BOLT	5
4	357-16-00-000	6" DISCHARGE PIPE HOLDER KIT	2	11	R07622	3/8 x 2 1/2 HEX BOLT	2
4.1	357-16-01-000	DISCHARGE PIPE BASE HOLDER ASSY	1	12	R07804	7/16 LOCK WASHER	6
4.1.1	357-16-01-130	BASE PLATE	1	13	R07784	7/16 HEX NUT	6
4.1.2	357-16-01-131	LOWER STUB	1	14	R07671	7/16 x 1 1/4 HEX BOLT	6
4.2	357-16-02-000	PIPE HOLDER ASSY	1				



# 15000L 8" DISCHARGE KIT

PARTS LIST				PARTS LIST			
ITEM	PART NUMBER	DESCRIPTION	QTY	ITEM	PART NUMBER	DESCRIPTION	QTY
1	359-86-01-000	15000L 8" DISCHARGE PIPE ASSY	1	4.2	357-17-01-000	PIPE HOLDER ASSY - 8"	1
1.1	359-86-01-449	15000L 8" HOR. DISCHARGE PIPE	1	4.2.1	357-16-02-137	UPPER STUB	1
1.2	359-16-01-521	15000L 8" VERTICAL TUBE	1	4.2.2	357-17-00-135	TOP PIPE HOLDER - 8"	1
1.3	358-92-02-524	DISCHARGE ELBOW PC	1	4.3	357-17-00-135	TOP PIPE HOLDER - 8"	1
1.4	358-92-02-306	8" DISCHARGE FLANGE	1	4.4	R07621	3/8 x 2" HEX BOLT	1
2	358-92-03-000	8" EXTENSION PIPE ASSY	1	4.5	R07620	3/8 x 1 1/2 HEX BOLT	2
2.1	358-92-03-307	8" EXTENSION PIPE	1	4.6	R07803	3/8 LOCK WASHER	3
2.1.1	358-92-03-307-C	8" EXTENSION PIPE - HORIZONTAL PC	1	4.7	R07783	3/8 HEX NUT	3
2.1.2	358-92-03-307-B	8" EXTENSION PIPE CORNER PC	1	5	R02484	8" SUCTION HOSE CLAMP	2
2.1.3	358-92-03-307-A	8" EXTENSION TUBE END PC	1	6	358-92-01-000	8" HOUSING RING & TUBE ASSY	1
2.2	358-92-02-306	8" DISCHARGE FLANGE	1	6.1	358-92-01-302	8" HOUSING OUTLET TUBE	1
3	358-92-04-000	8" SPLASH PLATE ASSY	1	6.2	358-92-01-301	8" HOUSING DISCHARGE RING	1
3.1	358-92-04-308	8" SPLASH PLATE	1	7	358-92-00-329	8" DISCHARGE HOSE	1
3.2	358-92-04-309	8" SPLASH PLATE TUBE	1	8	R07803	3/8 LOCK WASHER	7
3.3	358-92-04-310	WING FOR 8" SPLASH PLATE	2	9	R07619	3/8 x 1 HEX BOLT	5
3.4	358-92-04-311	CLAMPING TUBE BRKT	2	10	R07783	3/8 HEX NUT	7
4	357-17-00-000	8" DISCHARGE PIPE HOLDER KIT	3	11	R07622	3/8 x 2 1/2 HEX BOLT	5
4.1	357-16-01-000	DISCHARGE PIPE BASE HOLDER ASSY	1	12	R07804	7/16 LOCK WASHER	6
4.1.1	357-16-01-130	BASE PLATE	1	13	R07784	7/16 HEX NUT	6
4.1.2	357-16-01-131	LOWER STUB	1	14	R07671	7/16 x 1 1/4 HEX BOLT	6



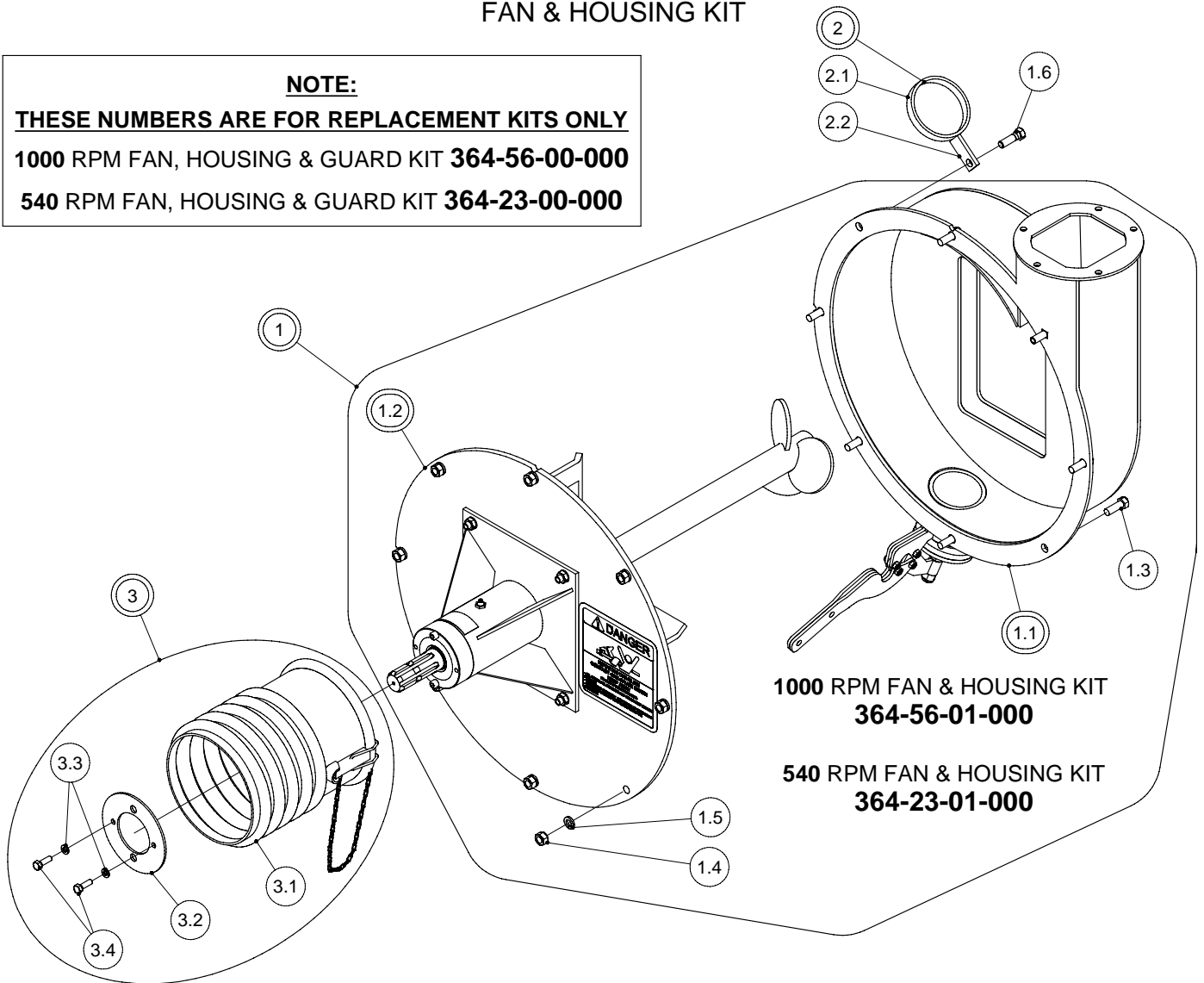
# FAN & HOUSING KIT

**NOTE:**

**THESE NUMBERS ARE FOR REPLACEMENT KITS ONLY**

**1000 RPM FAN, HOUSING & GUARD KIT 364-56-00-000**

**540 RPM FAN, HOUSING & GUARD KIT 364-23-00-000**



**1000 RPM FAN & HOUSING KIT  
364-56-01-000**

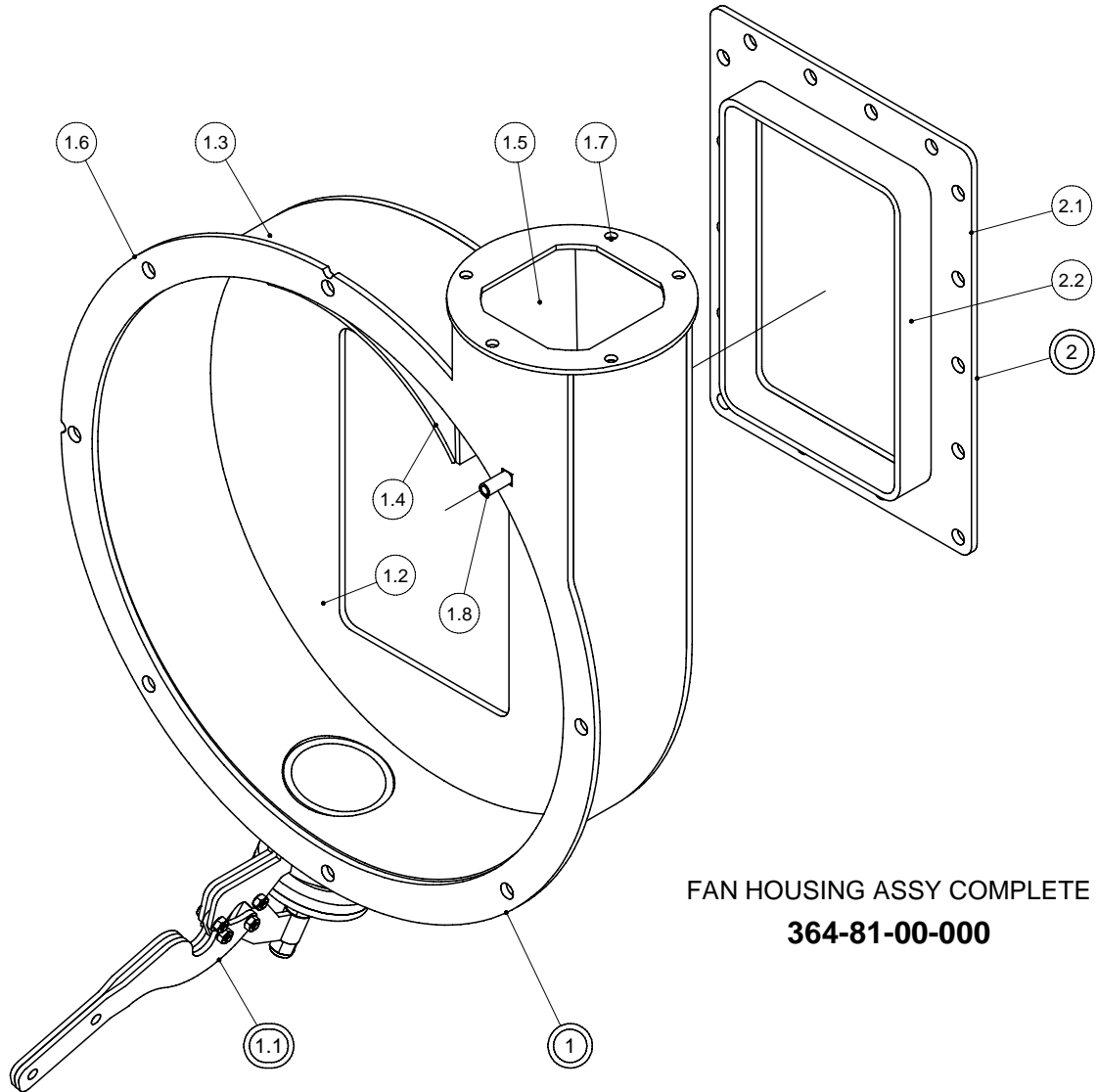
**540 RPM FAN & HOUSING KIT  
364-23-01-000**

PARTS LIST

ITEM	PART NUMBER	DESCRIPTION	QTY
1	364-56-01-000	1000 FAN & HOUSING KIT	1
1	364-23-01-000	540 FAN & HOUSING KIT	1
1.1	364-81-00-000	FAN HOUSING ASSY COMPLETE	1
1.2	364-66-01-000	1000 RPM FAN & COVER PLATE	1
1.2	364-65-01-000	540 RPM FAN & COVER PLATE	1
1.3	R07671	7/16 x 1 1/4 HEX BOLT	6
1.4	R07784	7/16 HEX NUT	8
1.5	R07804	7/16 LOCK WASHER	8
1.6	R07629	7/16 x 1 1/2 HEX BOLT	1
2	364-41-00-000	PTO HOLDER ASSY	1
2.1	364-41-00-132	PTO HOLDER	1
2.2	364-41-00-133	PTO HOLDER BRACKET	1
3	364-69-00-000	PLASTIC PTO GUARD KIT	1
3.1	R22196	SHEILD CONE ASSY	1
3.2	364-00-00-448	GUARD SUPPORT	1
3.3	R07802	5/16 LOCK WASHER	2
3.4	R07611	5/16 x 1" HEX BOLT	2



# FAN HOUSING ASSY



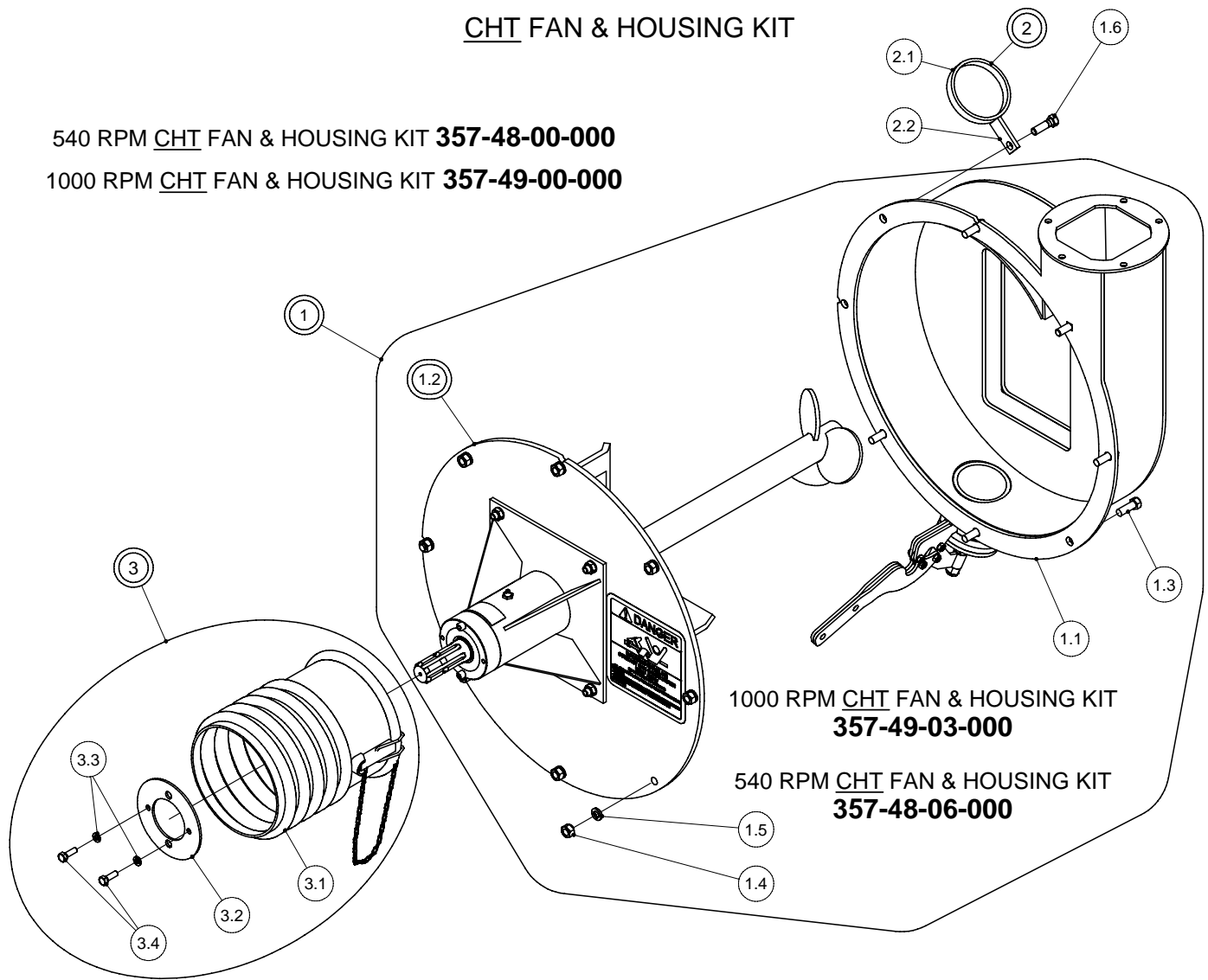
FAN HOUSING ASSY COMPLETE  
**364-81-00-000**

PARTS LIST			
ITEM	PART NUMBER	DESCRIPTION	QTY
1	364-81-01-000	FAN HOUSING ASSY LESS FLANGE	1
1.1	364-62-00-000	DRAIN PLUG KIT	1
1.2	364-01-03-106	HOUSING BACK PLATE	1
1.3	364-01-03-018	HOUSING BAND	1
1.4	364-01-03-156	HOUSING BAND AID	1
1.5	364-01-03-081	FAN HOUSING VERTICAL PC	1
1.6	364-01-03-019	HOUSING FLANGE	1
1.7	364-01-03-376	DISCHARGE RING	1
1.8	R07774	7/16 x 1 1/4" GR 5 CARRIAGE BOLT	1
2	364-81-02-000	HOUSING INLET FLANGE ASSY	1
2.1	364-81-02-393	HOUSING FLANGE	1
2.2	364-81-02-424	INLET EXTENSION TUBE	1

## CHT FAN & HOUSING KIT

540 RPM CHT FAN & HOUSING KIT **357-48-00-000**

1000 RPM CHT FAN & HOUSING KIT **357-49-00-000**



1000 RPM CHT FAN & HOUSING KIT  
**357-49-03-000**

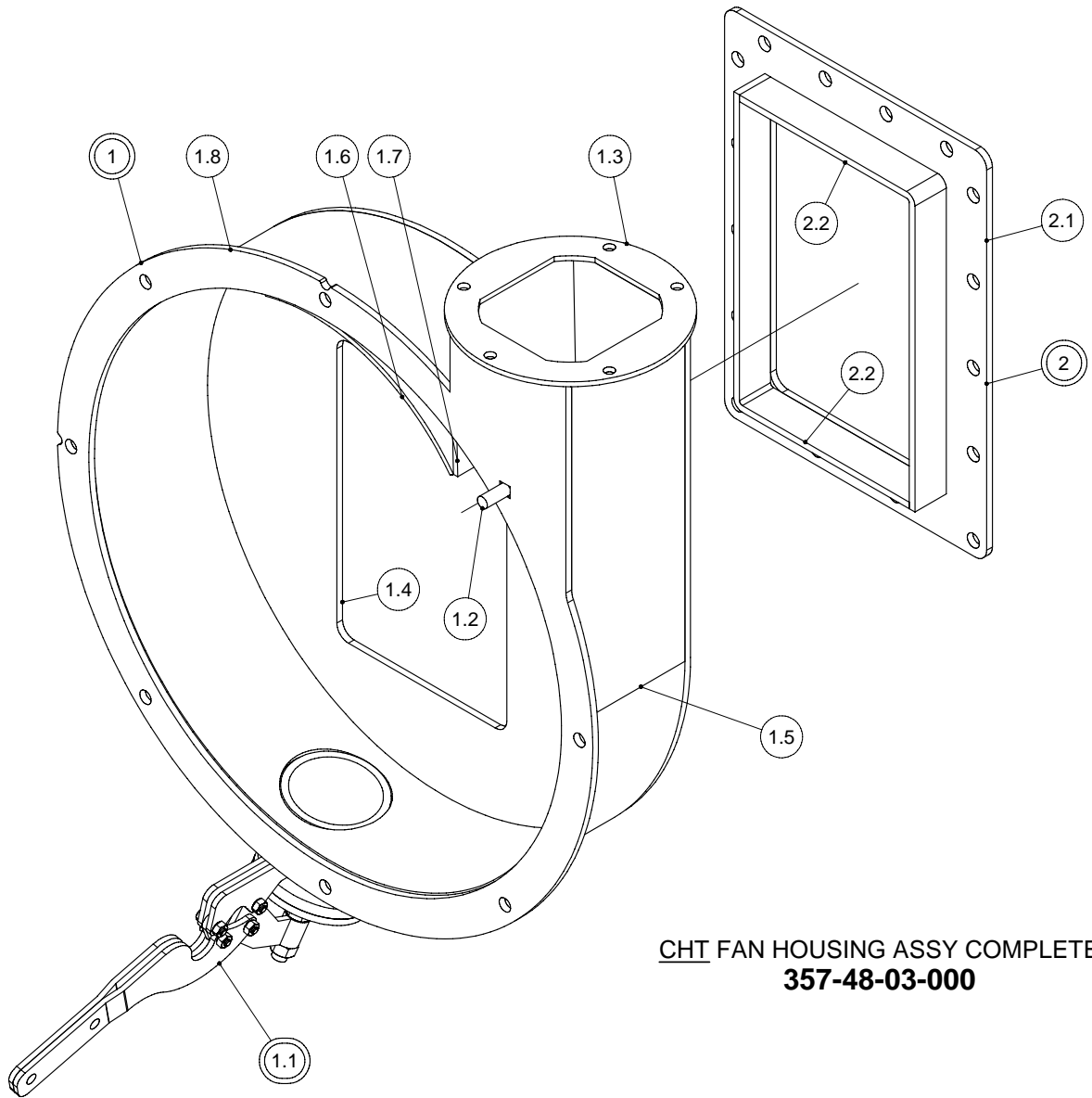
540 RPM CHT FAN & HOUSING KIT  
**357-48-06-000**

### PARTS LIST

ITEM	PART NUMBER	DESCRIPTION	QTY
1	357-49-03-000	CHT 1000 RPM FAN & HOUSING KIT	OPT
1	357-48-06-000	CHT 540 FAN & HOUSING KIT	1
1.1	357-48-03-000	CHT FAN HOUSING ASSY COMPLETE	1
1.2	364-66-01-000	1000 RPM FAN & COVER PALTE	OPT
1.2	364-65-01-000	540 RPM FAN & COVER PLATE	1
1.3	R07671	7/16 x 1 1/4 HEX BOLT	6
1.4	R07784	7/16 HEX NUT	8
1.5	R07804	7/16 LOCK WASHER	8
1.6	R07629	7/16 x 1 1/2 HEX BOLT	1
2	364-41-00-000	PTO HOLDER ASSY	1
2.1	364-41-00-132	PTO HOLDER	1
2.2	364-41-00-133	PTO HOLDER BRACKET	1
3	364-69-00-000	PLASTIC PTO GUARD KIT	1
3.1	R22196	SHEILD CONE ASSY	1
3.2	364-00-00-448	GUARD SUPPORT	1
3.3	R07802	5/16 LOCK WASHER	2
3.4	R07611	5/16 x 1" HEX BOLT	2

OPT = OPTIONAL

## CHT FAN HOUSING ASSY

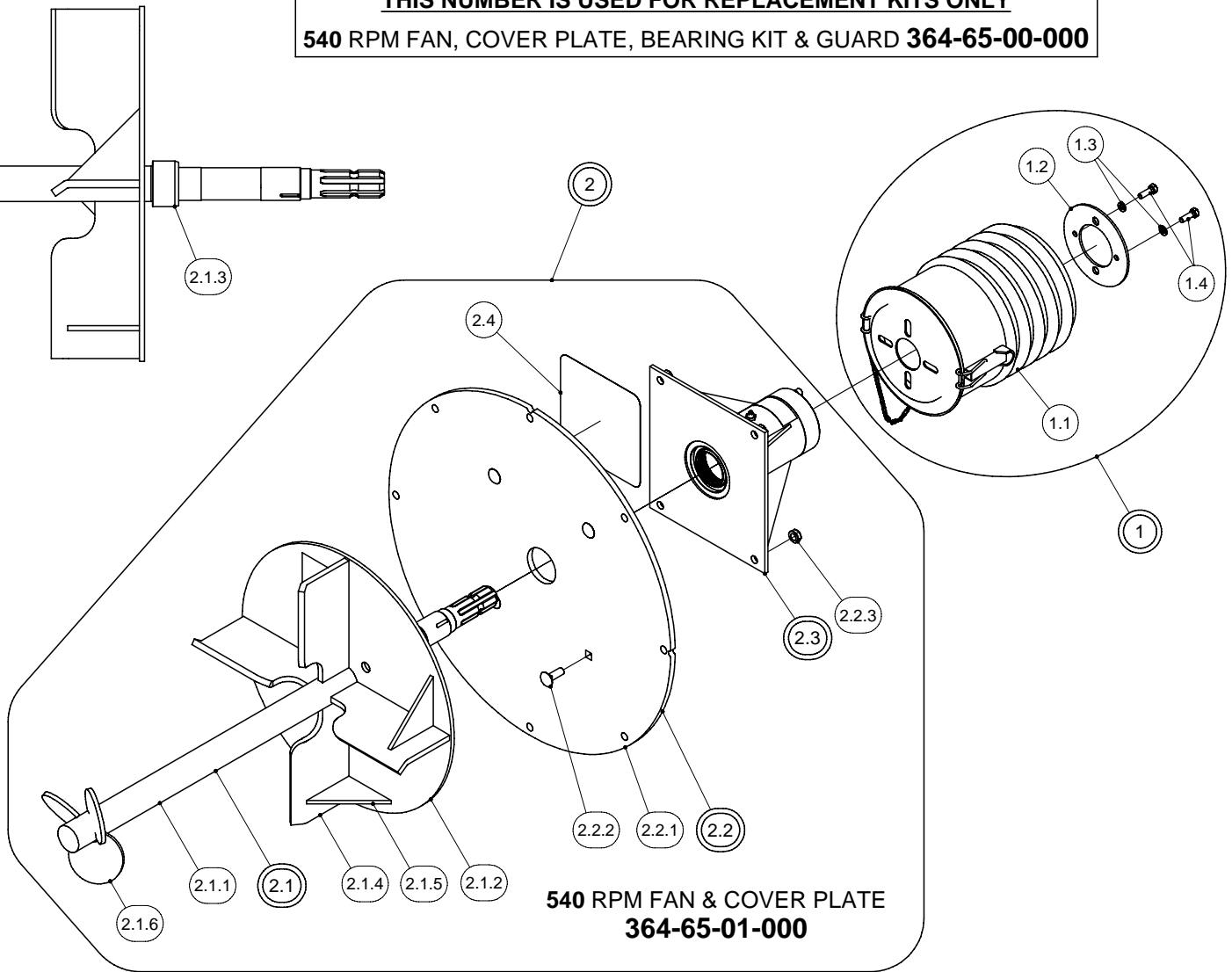


**CHT FAN HOUSING ASSY COMPLETE**  
**357-48-03-000**

PARTS LIST			
ITEM	PART NUMBER	DESCRIPTION	QTY
1	357-48-01-000	CHT FAN HOUSING ASSY LESS FLANGE	1
1.1	364-62-00-000	DRAIN PLUG KIT	1
1.2	R07732	7/16 x 1 1/4 CARRIAGE BOLT	1
1.3	364-01-03-376	DISCHARGE RING	1
1.4	357-48-01-228	CHT HOUSING BACK PLATE	1
1.5	357-48-01-232	CHT HOUSING BAND	1
1.6	357-48-01-231	CHT HOUSING BAND AID	1
1.7	357-48-01-230	CHT FAN HOUSING VERTICAL PC	1
1.8	357-48-01-229	CHT HOUSING FLANGE	1
2	357-48-02-000	CHT HOUSING INLET FLANGE ASSY	1
2.1	364-81-02-393	HOUSING FLANGE	1
2.2	357-48-02-233	CHT INLET EXTENSION	2

# 540 RPM FAN, COVER PLATE, & BRG KIT

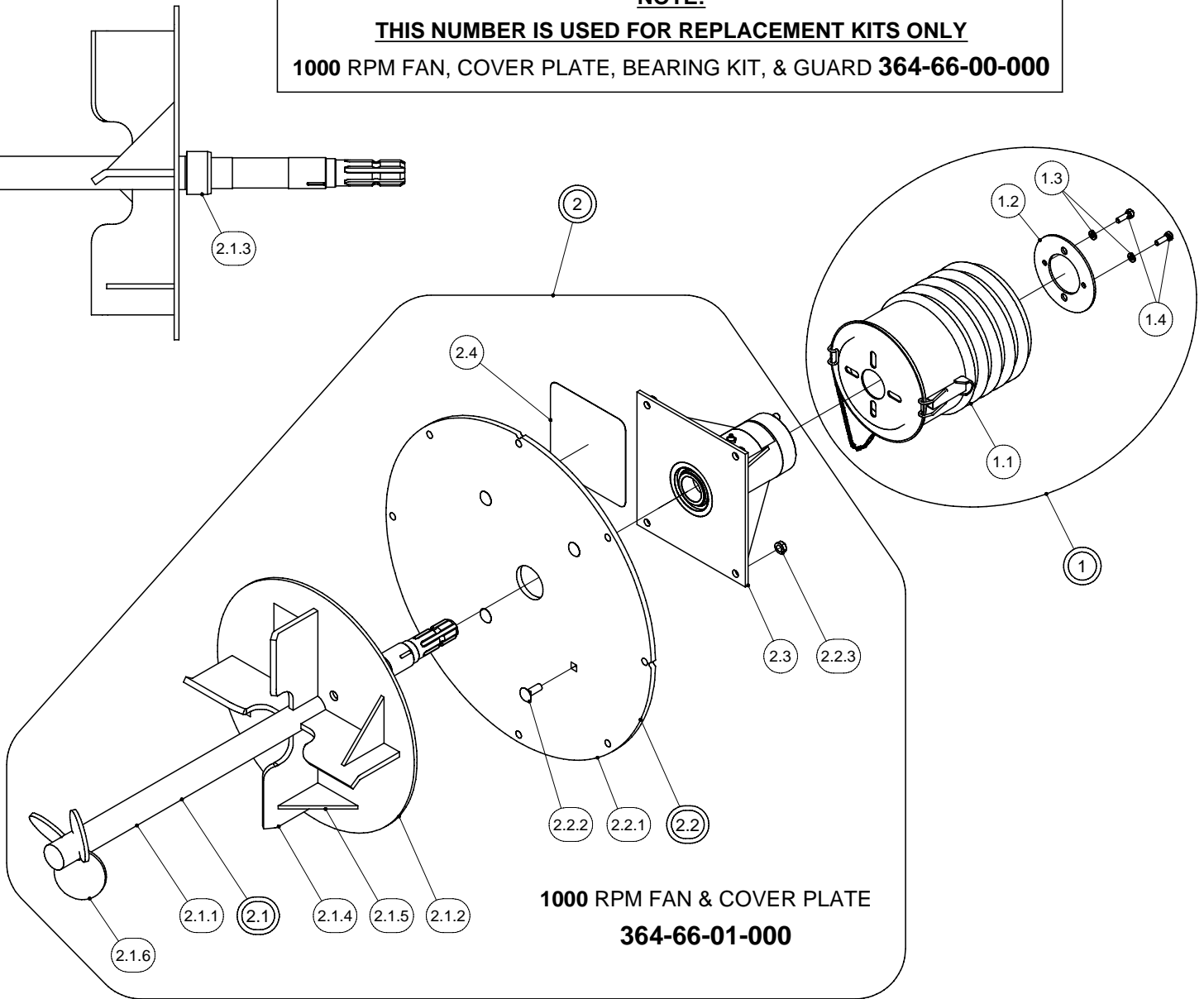
**NOTE:**  
**THIS NUMBER IS USED FOR REPLACEMENT KITS ONLY**  
**540 RPM FAN, COVER PLATE, BEARING KIT & GUARD 364-65-00-000**



PARTS LIST				PARTS LIST			
ITEM	PART NUMBER	DESCRIPTION	QTY	ITEM	PART NUMBER	DESCRIPTION	QTY
1	364-69-00-000	PLASTIC PTO GUARD KIT	1	2.1.4	364-63-00-208	CHT 540 RPM FAN BLADE	4
1.1	R22196	SHEILD CONE ASSY	1	2.1.5	364-72-00-422	FAN BLADE GUSSET	4
1.2	364-00-00-448	GUARD SUPPORT	1	2.1.6	364-72-00-227	AGITATOR BLADE	3
1.3	R07802	5/16 LOCK WASHER	2	2.2	364-67-00-000	COVER PLATE ASSY	1
1.4	R07611	5/16 x 1" HEX BOLT	2	2.2.1	364-67-00-211	HOUSING COVER PLATE	1
2	364-65-01-000	540 RPM FAN & COVER PLATE	1	2.2.2	R07774	7/16 x 1 1/4" GR 5 CARRIAGE BOLT	4
2.1	364-72-00-000	540 RPM SHAFT & IMP. ASSY - CHT	1	2.2.3	R07879	7/16 FLANGE NUT	4
2.1.1	364-72-00-226	FAN SHAFT	1	2.3	357-59-00-000	BEARINGS & HOLDER KIT 2002	1
2.1.2	364-63-00-209	FAN BACK PLATE	1	2.4	R09785	"DANGER ROTATING DRIVELINE"	1
2.1.3	R20238	HARDENED SEAL SLEEVE	1			DECAL	

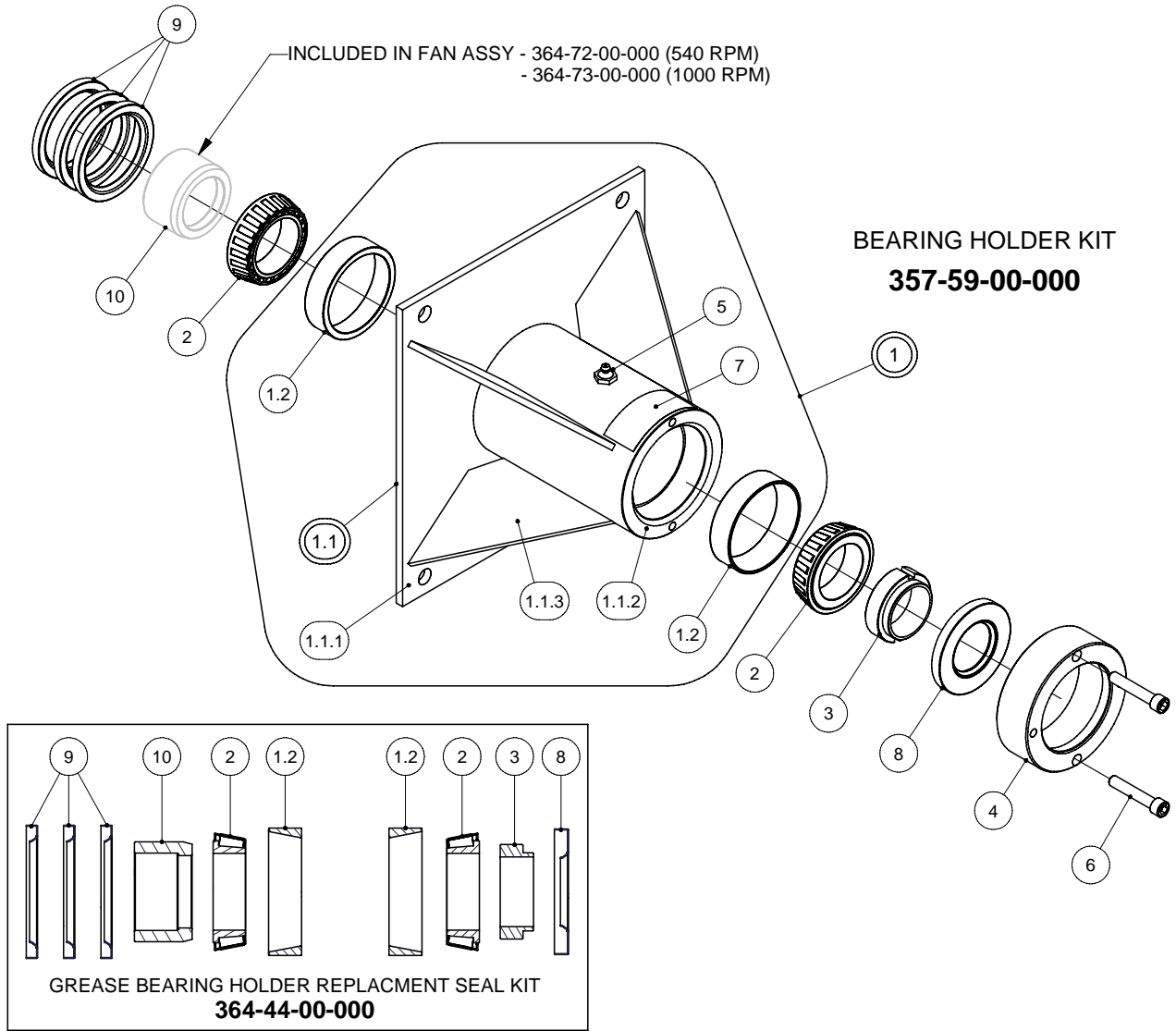
# 1000 RPM FAN, COVER PLATE & BRG KIT

**NOTE:**  
**THIS NUMBER IS USED FOR REPLACEMENT KITS ONLY**  
**1000 RPM FAN, COVER PLATE, BEARING KIT, & GUARD 364-66-00-000**



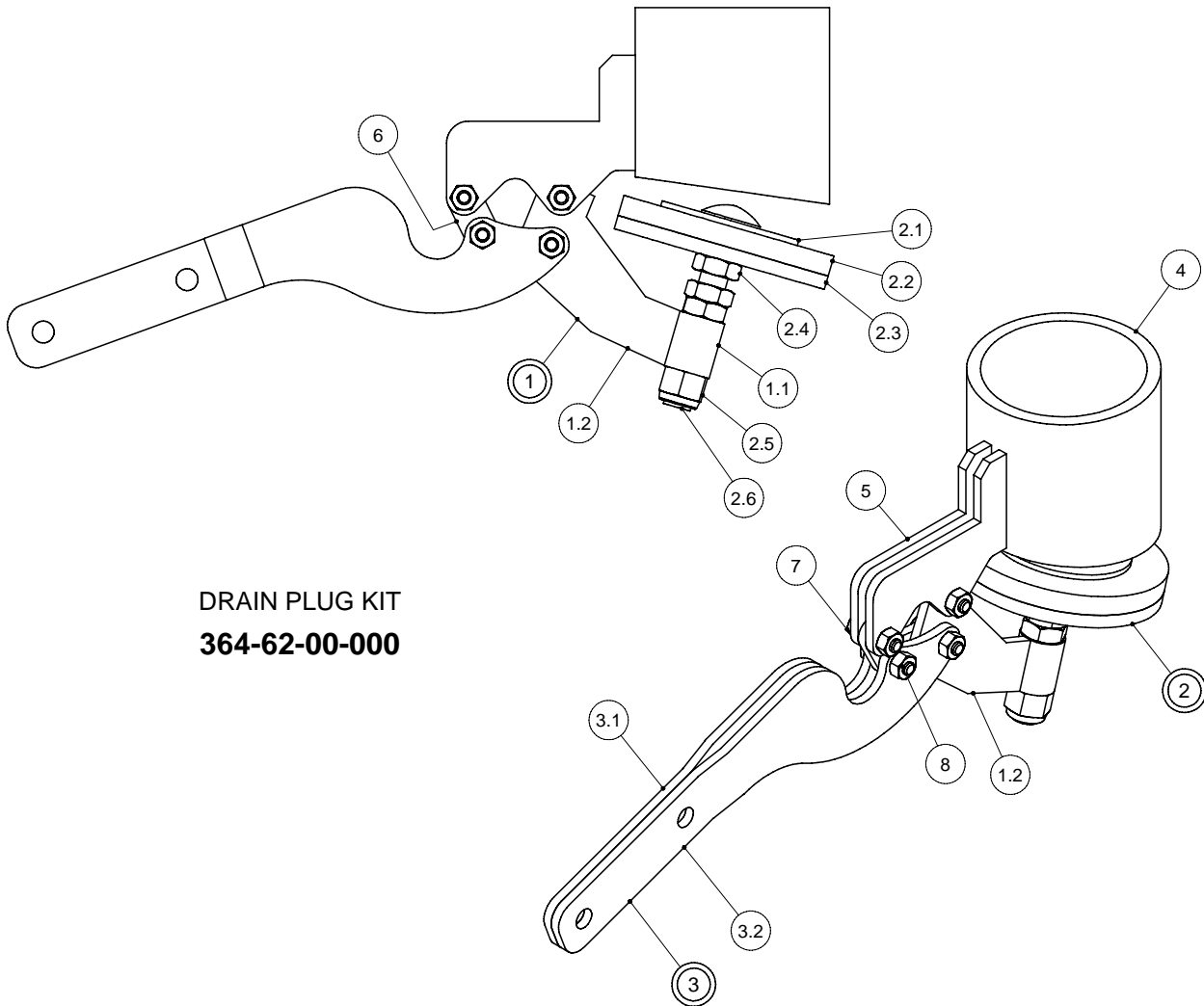
PARTS LIST				PARTS LIST			
ITEM	PART NUMBER	DESCRIPTION	QTY	ITEM	PART NUMBER	DESCRIPTION	QTY
1	364-69-00-000	PLASTIC PTO GUARD KIT	1	2.1.4	364-64-00-210	CHT 1000 RPM FAN BLADE	4
1.1	R22196	SHEILD CONE ASSY	1	2.1.5	364-72-00-422	FAN BLADE GUSSET	4
1.2	364-00-00-448	GUARD SUPPORT	1	2.1.6	364-72-00-227	AGITATOR BLADE	3
1.3	R07802	5/16 LOCK WASHER	2	2.2	364-67-00-000	COVER PLATE ASSY	1
1.4	R07611	5/16 x 1" HEX BOLT	2	2.2.1	364-67-00-211	HOUSING COVER PLATE	1
2	364-66-01-000	1000 RPM FAN & COVER PLATE	1	2.2.2	R07774	7/16 x 1 1/4" GR 5 CARRIAGE BOLT	4
2.1	364-73-00-000	1000 RPM SHAFT & IMP. ASSY - CHT	1	2.2.3	R07879	7/16 FLANGE NUT	4
2.1.1	364-72-00-226	FAN SHAFT	1	2.3	357-59-00-000	BEARINGS & HOLDER KIT 2002	1
2.1.2	364-63-00-209	FAN BACK PLATE	1	2.4	R09785	"DANGER ROTATING DRIVELINE"	1
2.1.3	R20238	HARDENED SEAL SLEEVE	1			DECAL	

# BEARING HOLDER KIT



PARTS LIST			
ITEM	PART NUMBER	DESCRIPTION	QTY
1	357-59-01-000	BEARING HOLDER w/ CUPS KIT	1
1.1	357-59-02-000	BEARING BOX ASSY	1
1.1.1	364-61-00-192	SEAL TUBE BACK PLATE	1
1.1.2	364-61-00-191	BEARING TUBE	1
1.1.3	357-59-02-289	BEARING BOX GUSSET	4
1.2	R20113	LM501310 OUTER CUP	2
2	R20115	LM501349 OUTER CONE	2
3	364-00-00-212	STAKE NUT	1
4	364-00-00-332	SEAL TUBE KIT	1
5	R08188	1/4" NPT STRAIGHT GREASE FITTING	1
6	R08175	5/16 - 18 UNC x 1 3/4" CAP SCREW	2
7	R09787	GREASE DECAL	1
8	R21196	SL LIP SEAL 152833TB 1.5"	1
9	R21197	2.25 x 3.005 x .25 SEAL	3
10	R20238	HARDENED SEAL SLEEVE (NOT INCLUDED IN BEARING HOLDER KIT)	1

## DRAIN PLUG KIT

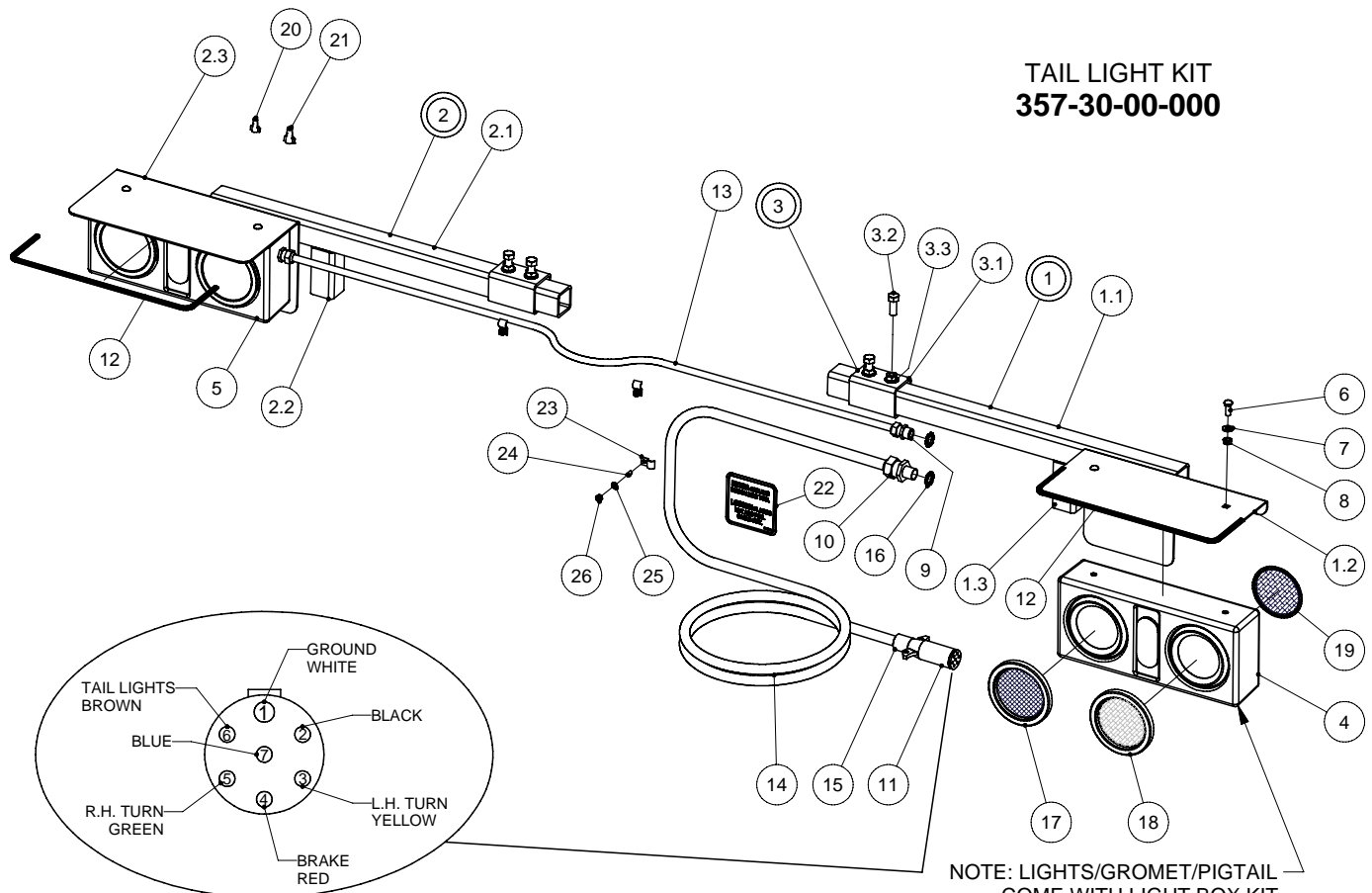


**DRAIN PLUG KIT**  
**364-62-00-000**

PARTS LIST			
ITEM	PART NUMBER	DESCRIPTION	QTY
1	364-62-01-000	DRAIN PLUG SLEEVE ASSY	1
1.1	364-62-01-201	SLEEVE	1
1.2	364-62-01-200	SLEEVE LINKAGE	1
2	364-62-05-000	DRAIN PLUG REPLACMENT KIT	1
2.1	364-62-04-370	PLUG WASHER	1
2.2	364-62-02-204	RUBBER PLUG	1
2.3	364-62-02-203	PLUG PLATE	1
2.4	R08046	1/2 - 13 JAM NUT	3
2.5	R08219	1/2 UNC NYLOCK NUT	1
2.6	R08316	1/2 x 3 1/2" FULL THREAD CAR BOLT	1
3	364-62-03-000	HANDLE ASSY	1
3.1	364-62-03-206	LH HANDLE	1
3.2	364-62-03-207	RH HANDLE	1
4	364-01-03-110	DRAIN PIPE	1
5	364-62-00-199	PLUG HOUSING BRKT	2
6	364-62-00-205	SHORT LINKAGE	1
7	R08176	1/4 x 7/8" HEX BOLT	4
8	R08048	1/4" 2 WAY LOCK NUT	4

# TAIL LIGHT KIT

PARTS LIST				PARTS LIST			
ITEM	PART NUMBER	DESCRIPTION	QTY	ITEM	PART NUMBER	DESCRIPTION	QTY
1	357-30-01-000	RH LIGHT BAR ASSY	1	10	R10357	3/4" NYLON TITE CONNECTOR	1
1.1	357-30-01-171	LIGHT BAR	1	11	R10095	7 POLE CONNECTOR	1
1.2	357-30-01-172	RH LITE BOLT PLATE	1	12	357-30-00-311	SAFETY EDGING	2
1.3	357-30-01-173	STUB BAR	1	13	R04046	4-WIRE TRAILER CABLE - APPROX. 4M	1
2	357-30-02-000	LH LIGHT BAR ASSY	1	14	R04235	14/6 TRAILER CABLE - APPROX. 10.5M	1
2.1	357-30-01-171	LIGHT BAR	1	15	R09636	RUBBER BOOT	1
2.2	357-30-01-173	STUB BAR	1	16	R10345	1/2" ELECTRICAL BOX LOCK NUT	3
2.3	357-30-02-245	LH LITE BOLT PLATE	1	17	R10087	RED LIGHT KIT	2
3	357-30-03-000	MOUNT BRKT ASSY	2	18	R10347	AMBER LIGHT KIT w/ CLEAR BACK	2
3.1	357-30-03-174	MOUNT BRKT	1	19	R10346	AMBER REPLACEMENT LENS	2
3.2	R07674	1/2 x 1 1/4 HEX BOLT	2	20	R04343	#451 YELLOW WING NUT CONNECTOR	8
3.3	R07795	1/2" UNC FLANGE NUT	2	21	R04422	#452 RED WING NUT CONNECTOR	2
4	R10349	RH LAMP BOX w/ 2 LAMPS	1	22	R09808	CABLE - LIGHT BOX DECAL	1
5	R10348	LH LAMP BOX w/ 2 LAMPS	1	23	R21104	HYD. HOSE CLIPS	12
6	R07721	3/8 x 1 CARRIAGE BOLT	4	24	R08301	1/4 x 20 UNC x 1/2" WELD STUD	12
7	R07823	3/8 FLAT WASHER	4	25	R07801	1/4" LOCK WASHER	12
8	R07794	3/8 FLANGE NUT	4	26	R07781	1/4-20 UNC HEX NUT	12
9	R10193	1/2" NYLON TITE CONNECTOR	2				





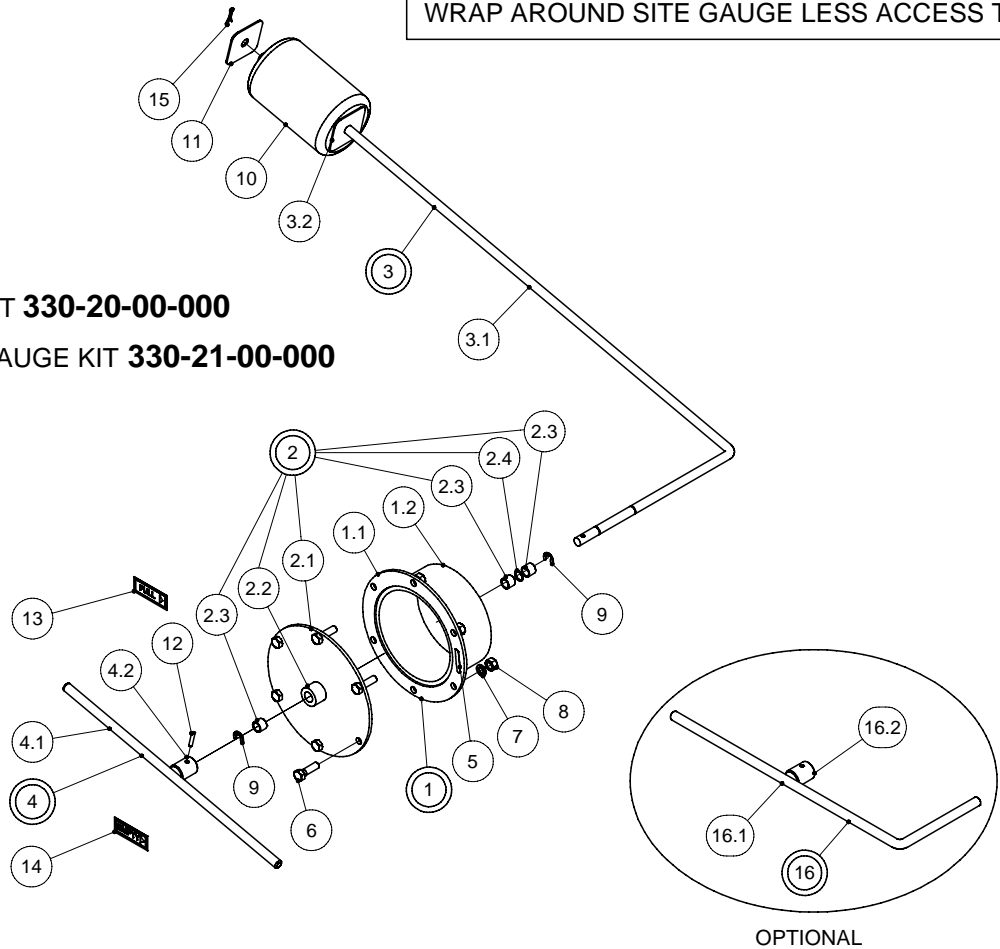
# SIGHT GAUGE KIT

PARTS LIST				PARTS LIST			
ITEM	PART NUMBER	DESCRIPTION	QTY	ITEM	PART NUMBER	DESCRIPTION	QTY
1	330-20-03-000	ACCESS TUBE ASSY	1	5	R04100	SILICONE SEALANT	1
1.1	330-20-03-560	ACCESS TUBE FLANGE	1	6	R07675	3/8 x 1 1/4" HEX BOLT	6
1.2	330-20-03-556	ACCESS TUBE	1	7	R07803	3/8 LOCK WASHER	6
2	330-20-04-000	COVER PLATE ASSY	1	8	R07783	3/8 HEX NUT	6
2.1	330-20-00-557	COVER PLATE	1	9	R07974	EXTERNAL RETAINING RING	2
2.2	330-20-04-562	BUSHING HOLDER	1	10	R09524	FLOAT	1
2.3	R21173	1/2 x 5/8 x 1/2" BRONZE BUSHING	3	11	330-20-01-552	FLOAT STRAPS	1
2.4	R20865	O-RING #11-014	1	12	R08241	3/16 x 1 SS ROLL PIN	1
3	330-20-01-000	FLOAT ARM ASSY	1	13	R09529	"FULL" DECAL	1
3.1	330-20-01-551	FLOAT ARM	1	14	R09530	"EMPTY" DECAL	1
3.2	330-20-01-552	FLOAT STRAPS	1	15	R08021	1/8 x 1 S.S. COTTER PIN	1
4	330-20-02-000	INDICATOR ARM ASSY	1	16	330-21-01-000	WRAP AROUND SITE ARM ASSY	1
4.1	330-20-02-554	INDICATOR ARM	1	16.1	330-19-46-546	WRAP AROUND SITE ARM	1
4.2	330-20-02-553	INDICATOR ARM HUB	1	16.2	330-20-02-553	INDICATOR ARM HUB	1

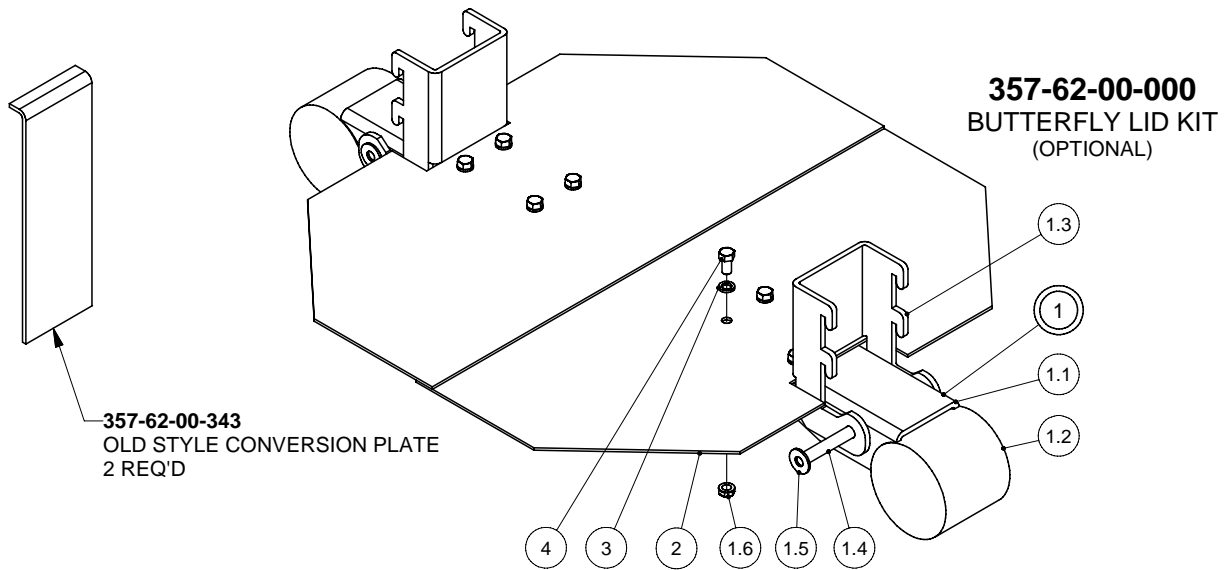
**330-22-00-000**  
SITE GAUGE LESS ACCESS TUBE

**330-23-00-000**  
WRAP AROUND SITE GAUGE LESS ACCESS TUBE

SIGHT GAUGE KIT **330-20-00-000**  
WRAP AROUND SIGHT GAUGE KIT **330-21-00-000**

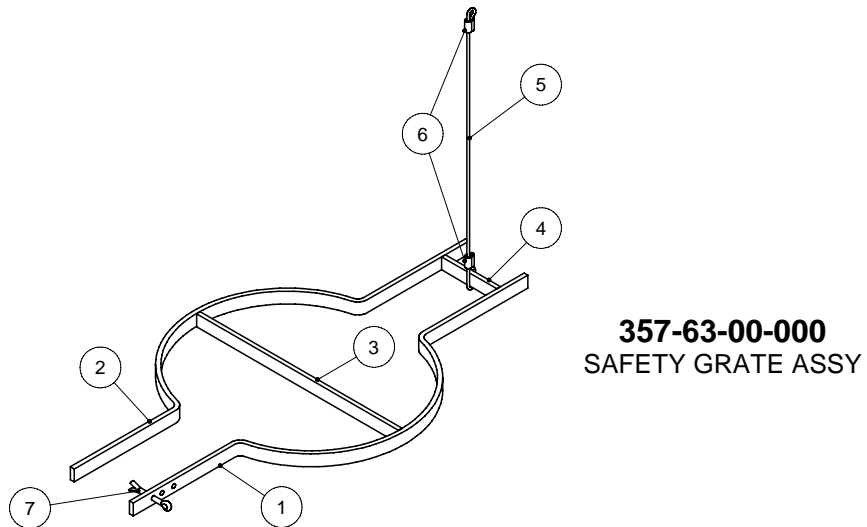


## BUTTERFLY LID & SAFETY GRATE



NOTE: WITH INSTALLATION OF A BUTTERFLY LID, A SAFETY GRATE MUST BE USED TO LOCK LID IN PLACE

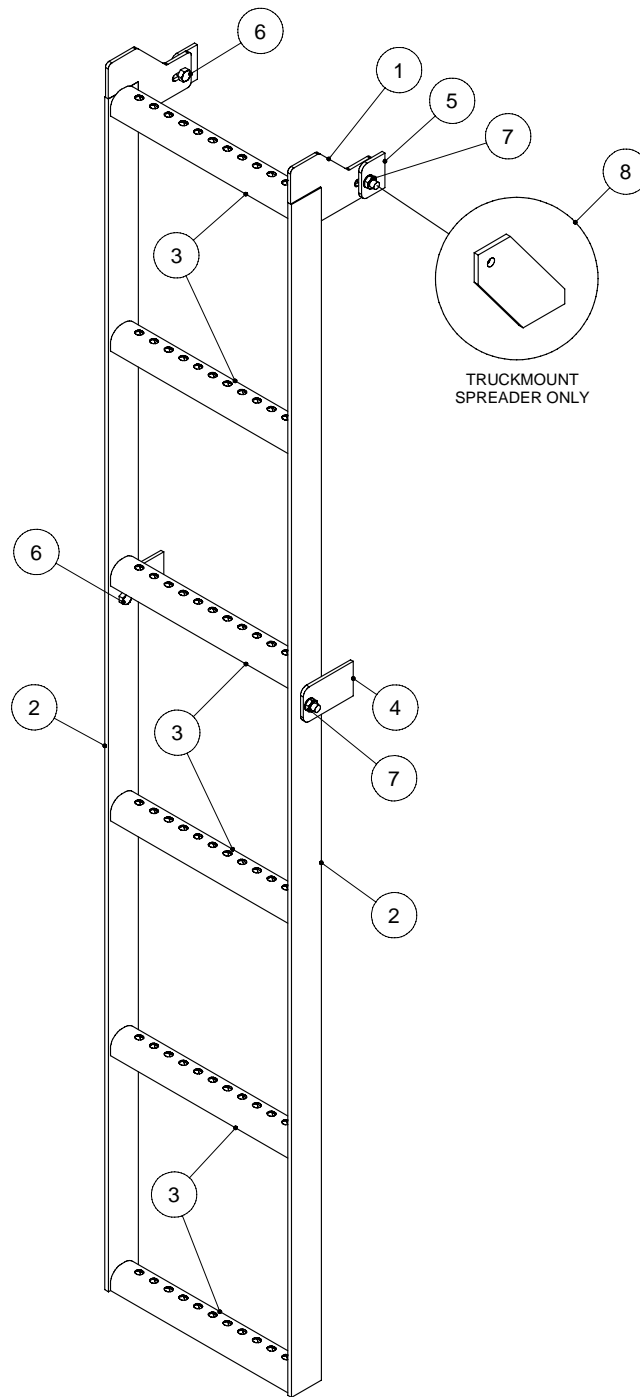
PARTS LIST				PARTS LIST			
ITEM	PART NUMBER	DESCRIPTION	QTY	ITEM	PART NUMBER	DESCRIPTION	QTY
1	357-62-01-000	BUTTERFLY HINGE KIT	2	1.5	R07824	7/16 FLAT WASHER	2
1.1	357-62-01-316	U - CHANNEL HINGE	1	1.6	R07794	3/8 FLANGE NUT	4
1.2	357-62-01-317	COUNTER WEIGHT	1	2	357-62-00-318	BUTTERFLY LID	2
1.3	357-62-01-319	DROP-IN HINGE	1	3	R08319	3/8 S.S. LOCK WASHER	8
1.4	357-62-01-315	HINGE PIN	1	4	R08317	3/8 x 3/4 S.S. HEX BOLT	8



PARTS LIST			
ITEM	PART NUMBER	DESCRIPTION	QTY
1	357-63-00-320	SAFETY BAR w/ HOLE	1
2	357-63-00-332	SAFETY BAR	1
3	357-63-00-321	CROSS SAFETY BAR	1
4	357-63-00-322	STOP BAR	1
5	357-63-00-331	SAFETY CABLE	1
6	R08068	1/8" ALUMINUM CRIMP SLEEVES	2
7	R08016	1/4 x 2 COTTER PIN	1

# LADDER KIT

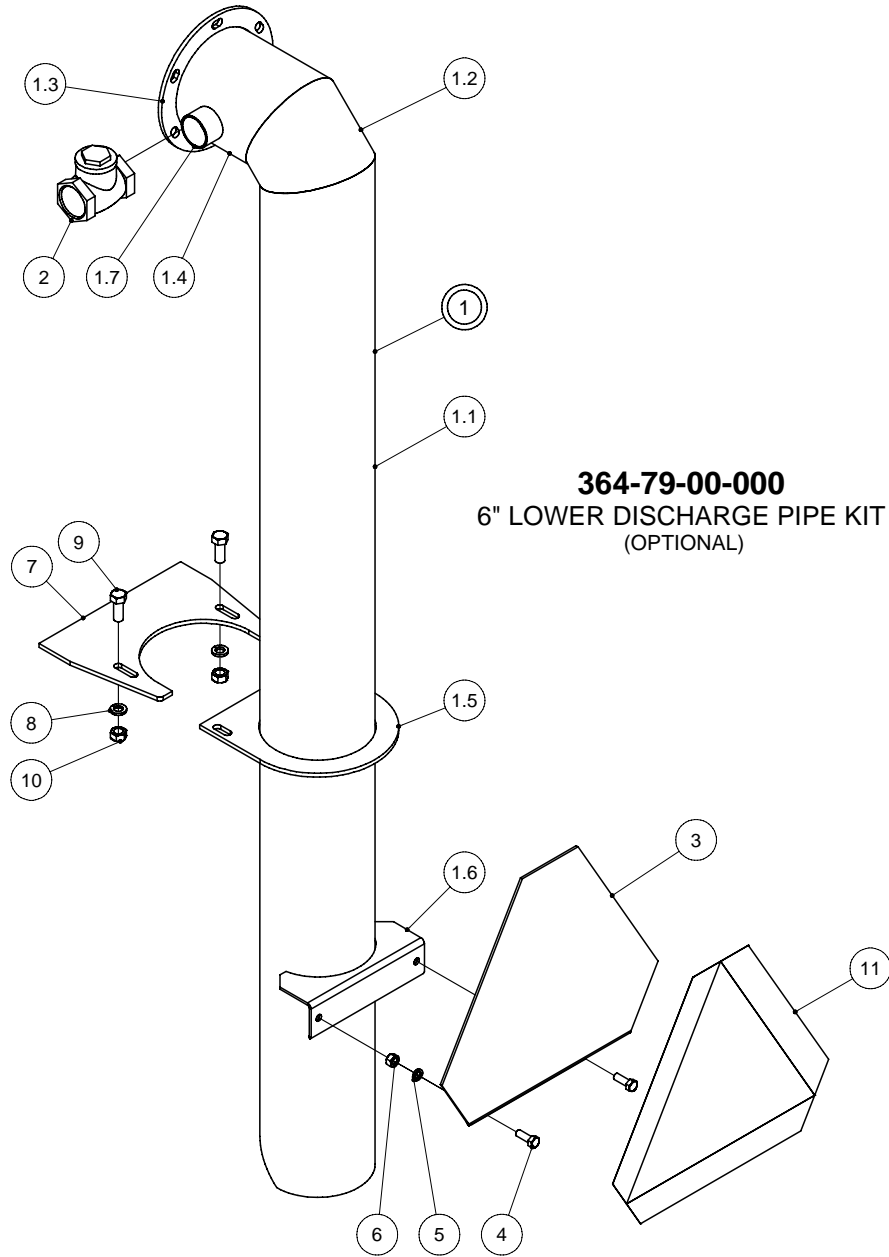
LADDER KIT  
364-95-00-000



## PARTS LIST

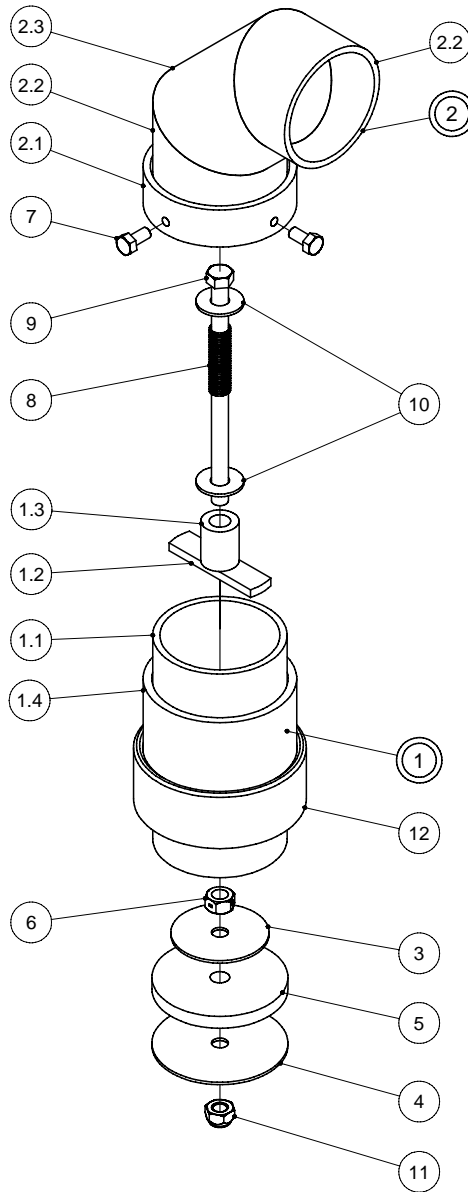
ITEM	PART NUMBER	DESCRIPTION	QTY
1	364-95-00-326	LADDER LUG	2
2	364-95-00-325	LADDER SIDE PC	2
3	364-95-00-324	LADDER RUNG	6
4	364-00-00-414	TANK LUG	2
5	364-95-00-327	UPPER TANK LUG	2
6	R07619	3/8 x 1 HEX BOLT	4
7	R07794	3/8 FLANGE NUT	4
8	384-00-00-216	LADDER BRKT	1

# LOWER DISCHARGE PIPE KIT



PARTS LIST				PARTS LIST			
ITEM	PART NUMBER	DESCRIPTION	QTY	ITEM	PART NUMBER	DESCRIPTION	QTY
1	364-79-01-000	6" DROP PIPE ASSY-15000 PROFILE TANK	1	3	200-00-00-132	S.M.V. SIGN HOLDER	1
				4	R07619	3/8 x 1 HEX BOLT	2
1.1	364-79-01-295	LONG DROP PIPE	1	5	R07803	3/8 LOCK WASHER	2
1.2	364-19-00-082	DISCHARGE PIPE CORNER PC	1	6	R07783	3/8 HEX NUT	2
1.3	364-19-00-087	DISCHARGE PIPE FLANGE	1	7	384-05-03-070	TANK BRKT	1
1.4	364-79-01-296	SHORT HORIZONTAL PIPE	1	8	R07805	1/2 LOCK WASHER	2
1.5	384-05-02-069	TUBE ATTACHMENT BRKT	1	9	R07674	1/2 x 1 1/4 HEX BOLT	2
1.6	308-77-00-226	S.M.V. SIGN HOLDER	1	10	R07785	1/2 HEX NUT	2
1.7	R02127	1 1/2 CLOSE NIPPLE	1	11	R09501	SLOW MOVING VEHICLE DECAL	1
2	R02490	1 1/2" CHECK VALVE	1				

# TANK VENT KIT



**TANK VENT KIT**  
**357-51-00-000**  
(OPTIONAL)

PARTS LIST				PARTS LIST			
ITEM	PART NUMBER	DESCRIPTION	QTY	ITEM	PART NUMBER	DESCRIPTION	QTY
1	357-51-01-000	VENT TUBE ASSY	1	4	357-51-00-258	LOWER STAINLESS STEEL WASHER	1
1.1	357-51-01-246	VENT TUBE	1	5	357-51-00-334	RUBBER PLUG	1
1.2	357-51-01-247	VENT STRAP	1	6	R07891	7/16 2-WAY LOCK NUT	1
1.3	357-51-01-248	INNER SLIDE TUBE	1	7	R07690	5/16 x 5/8 HEX BOLT	2
1.4	357-51-01-335	OUTER NIPPLE	1	8	357-51-00-249	SPRING	1
2	357-51-02-000	CAP ASSY	1	9	R07689	7/16 x 7 HEX BOLT	1
2.1	357-51-02-251	SLEEVE	1	10	R07833	7/16" SAE FLAT WASHER	2
2.2	357-51-02-252	ELBOW SECTION	2	11	R08178	7/16 NYLOCK HEX NUT	1
2.3	357-51-02-253	ELBOW MIDDLE SECTION	1	12	R02969	3 1/2" HALF COUPLER	1
3	357-51-00-250	STAINLESS STEEL WASHER	1				

# HYDRAULIC DIRECT DRIVE KIT

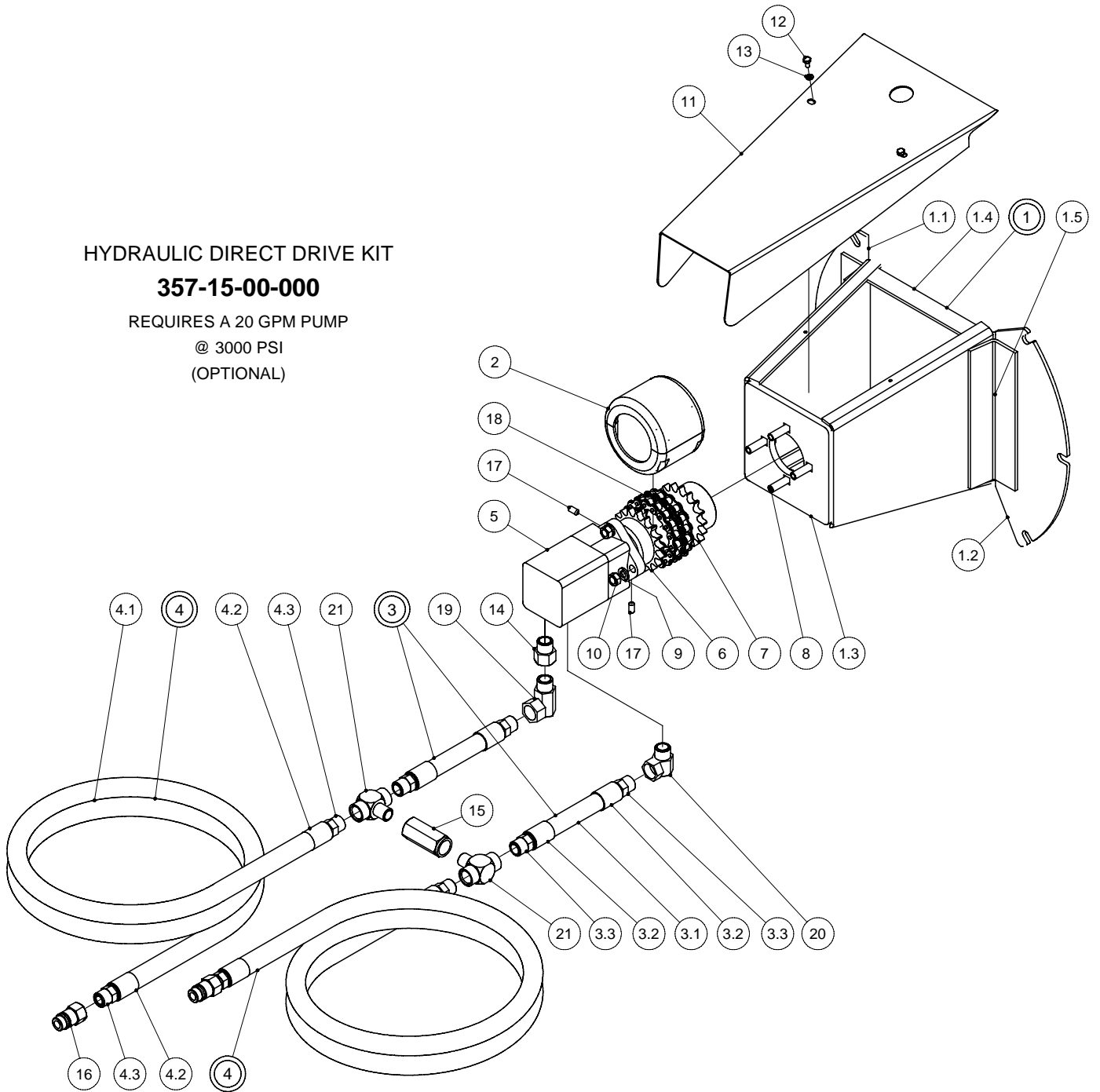
## HYDRAULIC DIRECT DRIVE KIT

**357-15-00-000**

REQUIRES A 20 GPM PUMP

@ 3000 PSI

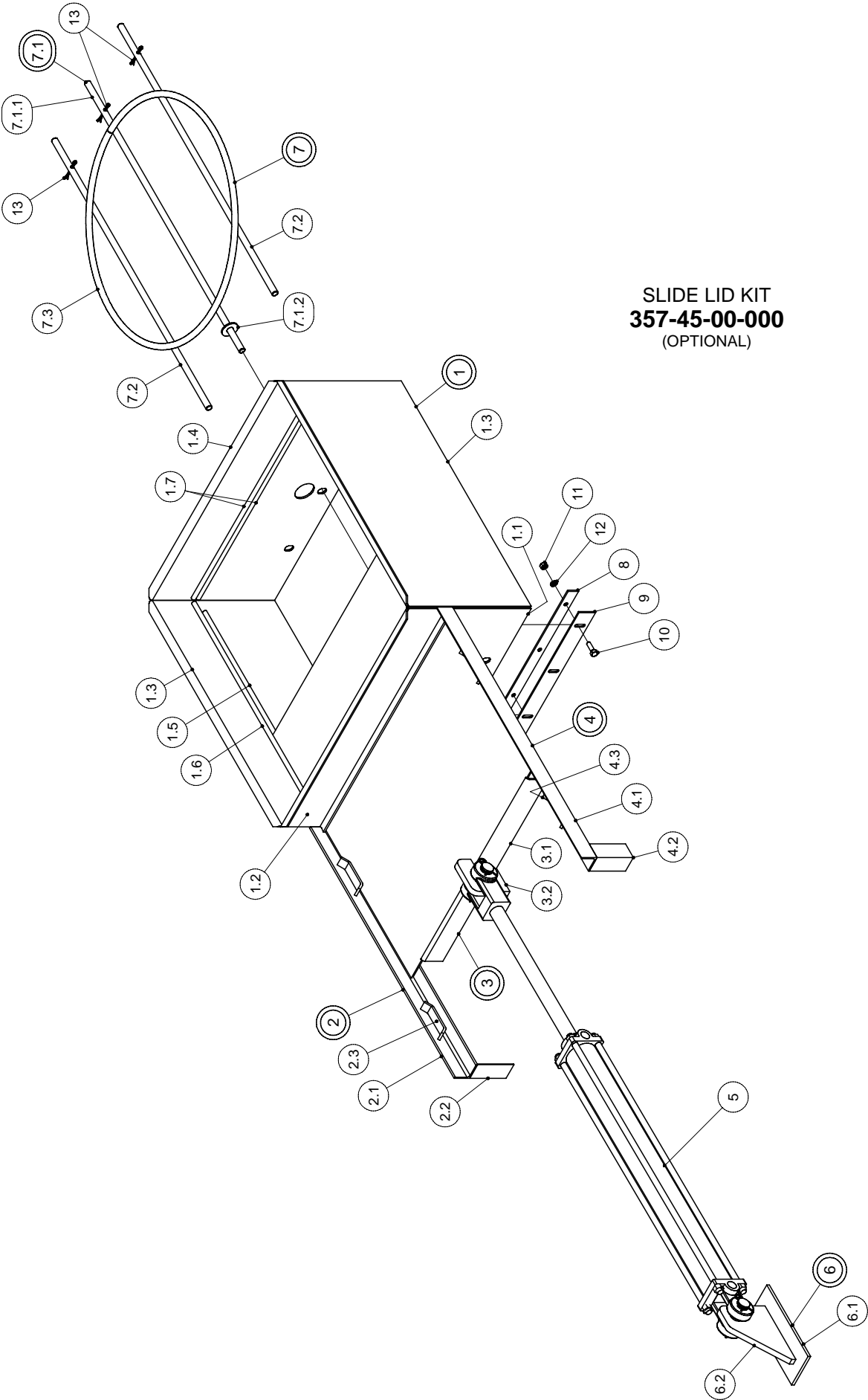
(OPTIONAL)



## HYDRAULIC DIRECT DRIVE KIT

PARTS LIST			
ITEM	PART NUMBER	DESCRIPTION	QTY
1	384-02-01-000	DIRECT HYD DRIVE MOUNT PL ASSY	1
1.1	384-02-01-002	R.H. EXTENSION PLATE	1
1.2	384-02-01-003	L.H. EXTENSION PLATE	1
1.3	384-02-01-004	MOTOR MOUNT PLATE	1
1.4	384-02-01-012	REINFORCING STRAP	2
1.5	384-18-01-275	REINFORCING ANGLE	2
2	R20617	60 - 18 COUPLING COVER	1
3	364-48-32-000	3/4" HYD HOSE ASSY	2
3.1	364-48-32-187	3/4" HYD HOSE ASSY	1
3.2	R20824	3/4" FERRULE	2
3.3	R21241	3/4" MALE SOLID STEM	2
4	364-48-24-000	3/4" HYD HOSE ASSY	2
4.1	364-48-24-163	3/4" HYDRAULIC HOSE	1
4.2	R20824	3/4" FERRULE	2
4.3	R21241	3/4" MALE SOLID STEM	2
5	R21422	MS160 HYDRAULIC MOTOR	1
6	384-02-00-007	60B - 18 SPR.-1 1/4" STR SHAFT	1
7	384-02-00-072	SPROCKET FOR 6 TOOTH SPLINE	1
8	R07744	1/2" x 2 CARRIAGE BOLT	4
9	R07805	1/2 LOCK WASHER	4
10	R07785	1/2 HEX NUT	4
11	384-02-00-005	GUARD	1
12	R07698	1/4 x 1/2 HEX BOLT	2
13	R07801	1/4 LOCK WASHER	2
14	R20815	7/8-14 SAE M x 3/4" ADAPTOR	1
15	R21202	3/4" NPT IN-LINE CHECK VALVE	1
16	R21338	3/4" PIONEER TIP	2
17	R07911	3/8 x 3/4" SET SCREW	2
18	R20883	60-18 COUPLING CHAIN	1
19	R21332	3/4M x 3/4F NPT 90 SWIVEL ADAPTOR	1
20	R21323	7/8" x 3/4" NPT SWIVEL ADAPTOR	1
21	R21393	3/4" HYDRAULIC TEE	2

SLIDE LID KIT



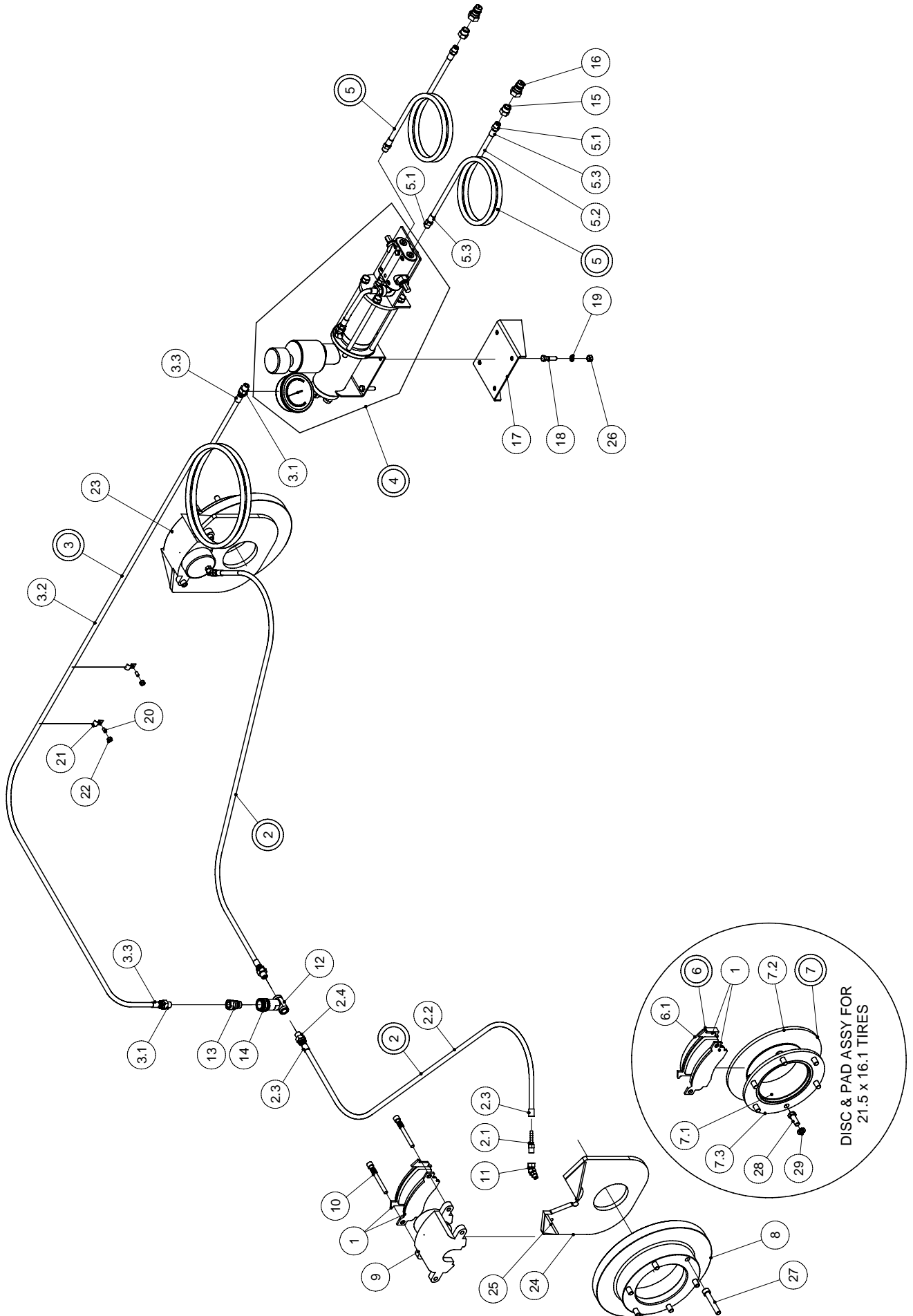
SLIDE LID KIT  
**357-45-00-000**  
(OPTIONAL)



## SLIDE LID KIT CON'T

PARTS LIST			
ITEM	PART NUMBER	DESCRIPTION	QTY
1	357-45-01-000	MANHOLE ASSY	1
1.1	357-45-01-204	FRONT LOWER PANEL	1
1.2	357-45-01-205	FRONT UPPER PANEL	1
1.3	357-45-01-202	SIDES	2
1.4	357-45-01-203	REAR PANEL	1
1.5	357-45-01-257	SIDE LOWER GUIDE BARS	2
1.6	357-45-01-206	SIDE UPPER GUIDE BARS	2
1.7	357-45-01-207	REAR GUIDE BAR	2
2	357-45-02-000	RH SLIDE RAIL ASSY	1
2.1	357-45-02-209	SLIDE RAIL	1
2.2	357-45-02-210	SLIDE RAIL LEG	1
2.3	357-45-01-208	LOWER GUIDE	2
(3)	357-45-05-000	LID ASSY - AIR	*
3	357-45-03-000	LID ASSY - HYDRAULIC	1
3.1	357-45-03-213	SLIDE LID	1
3.2	357-45-03-214	SLIDE LID LUG	1
(3.2)	357-45-05-242	SLIDE LID LUG - AIR	*
4	357-45-04-000	LH SLIDE RAIL ASSY	1
4.1	357-45-02-209	SLIDE RAIL	1
4.2	357-45-02-210	SLIDE RAIL LEG	1
4.3	357-45-01-208	LOWER GUIDE	2
5	R22162	2 x 24 HYDRAULIC CYLINDER	1
(5)		AIR CYLINDER	*
(6)	357-45-06-000	TANK LUG ASSY FOR AIR CYLINDER	*
6	357-45-07-000	TANK LUG ASSY FOR HYD CYLINDER	1
6.1	368-54-02-425	CYLINDER BRKT BASE PLATE	1
6.2	357-45-07-254	TANK LUG FOR HYD CYLINDER	1
(6.2)	357-45-06-243	TANK LUG FOR AIR CYLINDER	*
7	357-45-09-000	SAFETY GRATE ASSY	1
7.1	357-45-08-000	SAFETY BAR ASSY	1
7.1.1	357-45-08-274	SAFETY BAR	1
7.1.2	R08320	1/2 S.S. FLAT WASHER	1
7.2	357-45-08-274	SAFETY BAR	2
7.3	357-45-09-314	SAFETY RING	1
8	357-45-00-211	STRAP	1
9	357-45-00-212	RUBBER	1
10	R07611	5/16 x 1" HEX BOLT	5
11	R07782	5/16 HEX NUT	5
12	R07802	5/16 LOCK WASHER	5
13	R08207	5/32 x 1 1/2 S.S. COTTER PIN	3

# 12,14,15000L BRAKE KIT



## 12,14,15000L BRAKE KIT

**311-00-00-000**

BRAKE KIT FOR 21.5L x 16.1 TIRES

**312-00-00-000**

BRAKE KIT FOR 18 x 22.5 AND 28L x 26 TIRES

PARTS LIST			
ITEM	PART NUMBER	DESCRIPTION	QTY
1	R21067	BRAKE PADS	4
2	312-08-00-000	HYD. BRAKE HOSE ASSY FOR DROP AXLE	2*
2	312-04-00-000	HYD. BRAKE HOSE ASSY	2
2.1	R20802	1/4 - 18 NPT SOLID MALE STEM	1
2.2	312-08-00-051	HYDRAULIC HOSE FOR DROP AXLE	1*
2.2	312-04-00-028	HYDRAULIC HOSE	1
2.3	R21231	STEEL FERRULE - 1/4"	2
2.4	R20806	3/8 NPT SWIVEL MALE STEM	1
3	340-17-38-000	MAIN BRAKE LINE ASSY	1
3.1	R20806	3/8 NPT SWIVEL MALE STEM	2
3.2	340-17-38-544	MAIN HYD. BRAKE HOSE	1
3.3	R21231	STEEL FERRULE - 1/4"	2
4	312-09-00-000	MASTER CYLINDER KIT COMPLETE	1
5	340-17-39-000	HYD. HOSE MASTER CYL. TO TRACTOR	2
5.1	R20803	3/8 - 16 NPT SOLID MALE STEM	2
5.2	340-17-39-545	HYD. HOSE - MASTER CYL. TO TRACTOR	1
5.3	R21231	STEEL FERRULE - 1/4"	2
6	310-15-00-000	PAD & SPACER ASSY	2**
6.1	310-15-00-023	PAD SPACER	1**
7	311-16-00-000	BRAKE DISC ASSY	2**
7.1	311-16-00-025	DISC SPACER	1**
7.2	311-16-00-024	BRAKE DISC	1**
7.3	340-10-00-350	DISC HOLDDOWN PLATE MARTIN HUB	1**
8	R20098	BOLT ON BRAKE DISC	2
9	R21065	RH DISC BRAKE CALIPER ASSY TC500	1
10	R21070	GUIDE PINS	4
11	R21308	45 DEG x 7/16 SAE x 1/4 NPT ADAPTOR	2
12	R22111	3/8" HYD TEE - F x F x M	1
13	R21339	3/8" MALE PIONEER END	1
14	R21337	3/8" FEMALE PIONEER END	1
15	R02043	BUSHING 1/2 x 3/8	2
16	R21342	1/2" MALE PIONEER TIP	2
17	312-06-00-047	MASTER CYLINDER MT BRACKET	1
18	R07620	3/8 x 1 1/2 HEX BOLT	4
19	R07803	3/8 LOCK WASHER	4
20	R08301	1/4 x 20 UNC x 1/2" WELD STUD	2
21	R21104	HYD. HOSE CLIPS	2
22	R07781	1/4 HEX NUT	2
23	R21066	LH DISC BRAKE CALIPER ASSY TC501	1
24	312-02-00-027	CALIPER MOUNTING PLATE	2
	340-08-10-332	CALIPER MOUNTING PLATE (28L TIRES)	2*
	311-17-00-050	CALIPER MOUNTING PLATE (21.5 TIRES)	2**
25	340-08-10-334	CALIPER PLATE SUPPORT	4
26	R07783	3/8 HEX NUT	4
27	R07871	1/2 x 3 UNF SHCS	12
28	R07861	1/2 X 1 1/4" -20 UNF HEX BOLT	12**
29	R07805	1/2" LOCK WASHER	12**

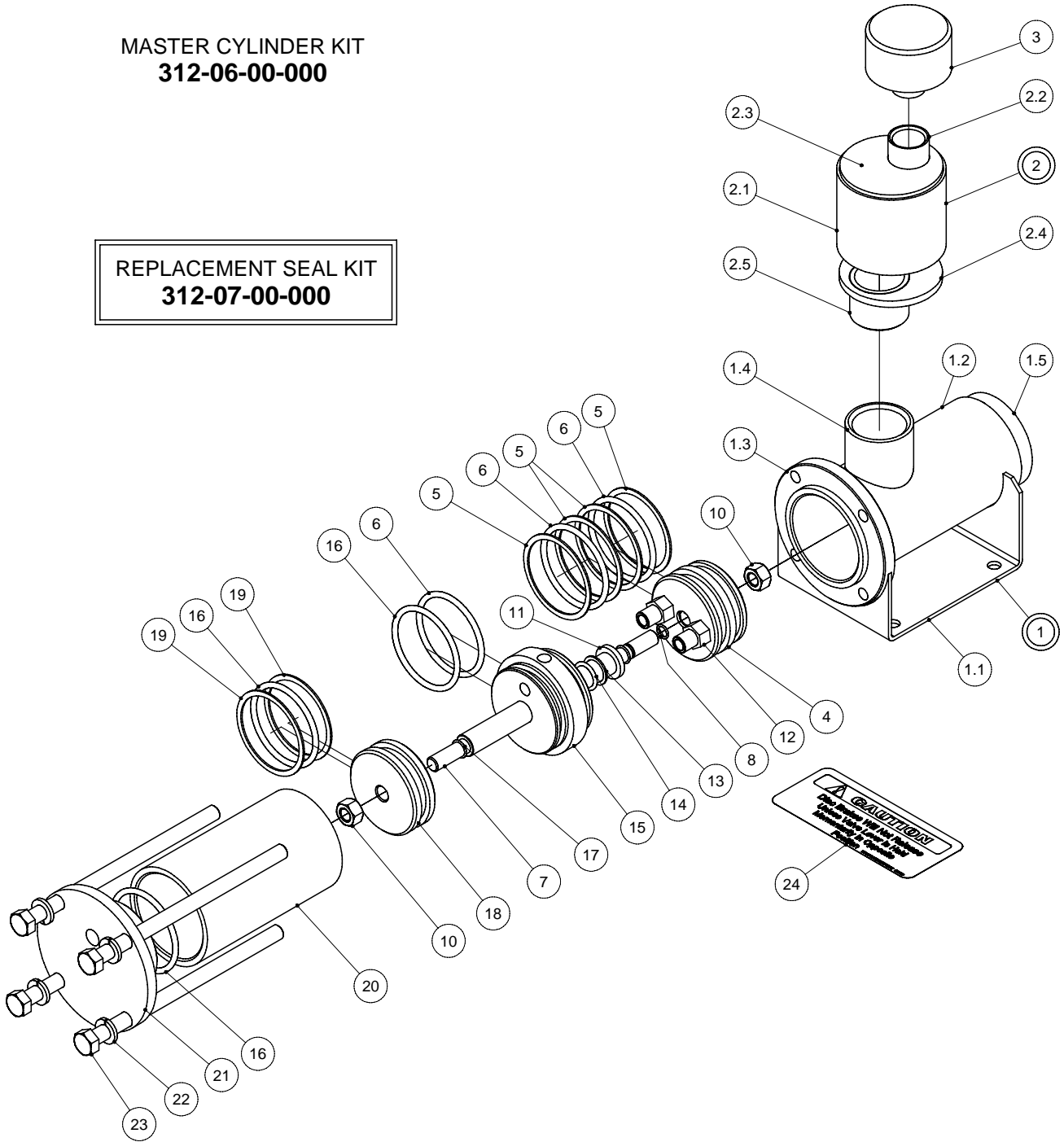
\* DROP AXLE

\*\* FOR 21.5 x 16.1 TIRES ONLY

# MASTER CYLINDER KIT

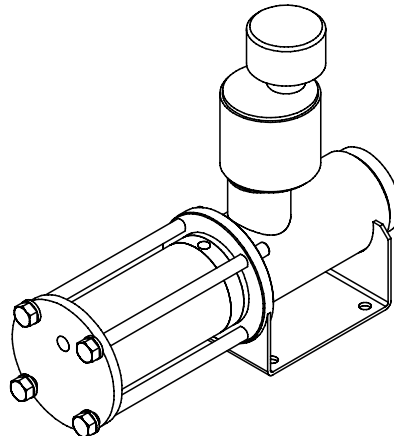
MASTER CYLINDER KIT  
312-06-00-000

REPLACEMENT SEAL KIT  
312-07-00-000



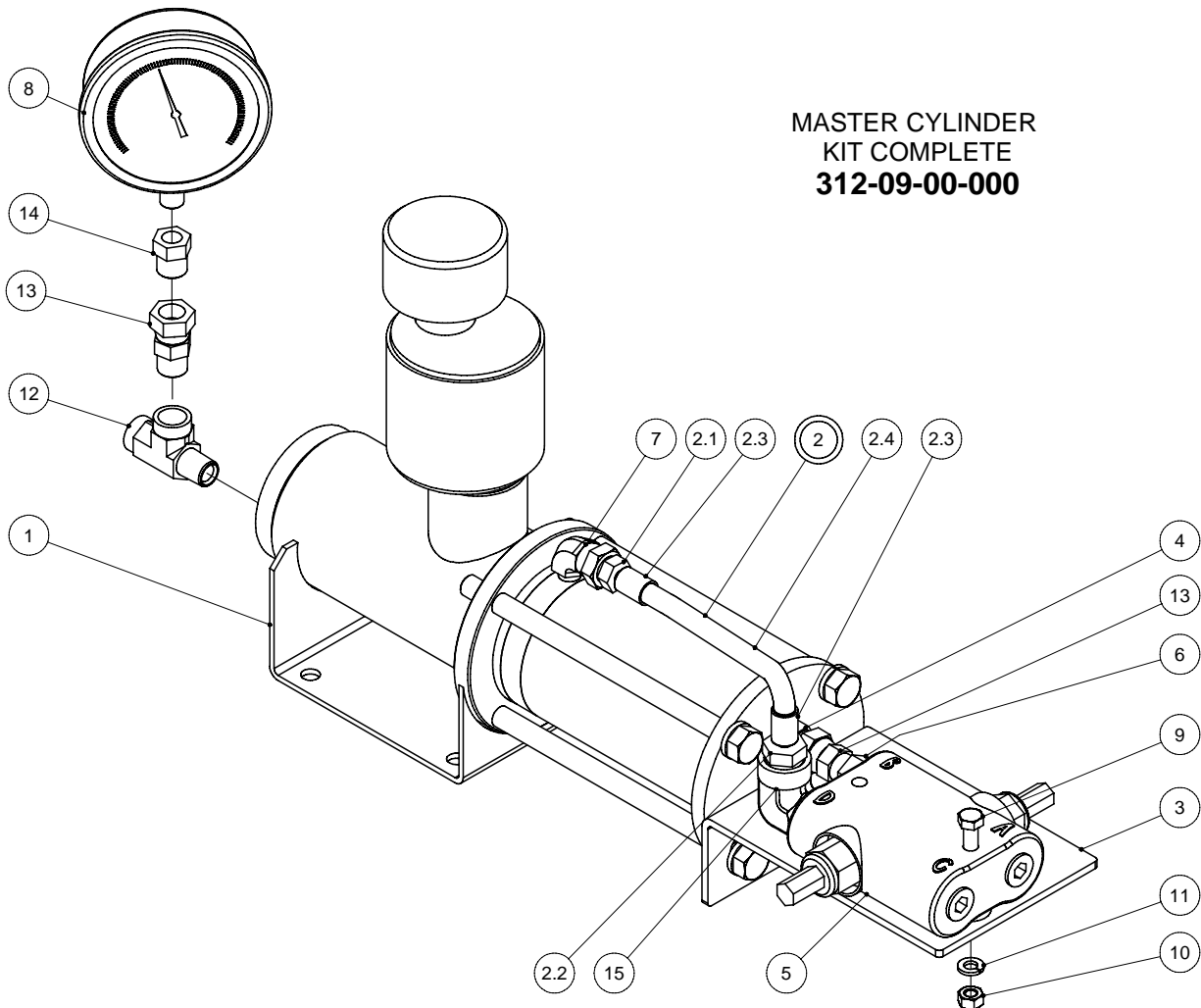
# MASTER CYLINDER KIT

PARTS LIST			
ITEM	PART NUMBER	DESCRIPTION	QTY
1	312-06-02-000	MASTER CYLINDER TUBE ASSY	1
1.1	312-06-02-034	MOUNT PLATE	1
1.2	312-06-02-030	MASTER CYLINDER TUBE	1
1.3	312-06-02-031	MASTER CYLINDER FLANGE	1
1.4	312-06-02-033	COUPLER	1
1.5	312-06-02-032	MASTER CYLINDER END CAP	1
2	312-06-03-000	RESEVOIR ASSY	1
2.1	312-06-03-041	RESERVOIR TUBE	1
2.2	312-06-03-045	RESERVOIR COUPLING	1
2.3	312-06-03-042	RESEVOIR TOP PLATE	1
2.4	312-06-03-043	RESEVOIR BOTTOM PLATE	1
2.5	312-06-03-046	RESERVOIR NIPPLE	1
3	R21103	FILLER BREATHER	1
4	312-06-00-039	MASTER CYLINDER PLUNGER	1
5	R20873	TEFLON BACK UP #334	4
6	R20868	EP "O" RING #334 (2 5/8 x 3/16")	3
7	312-06-00-040	SHAFT	1
8	R20869	EP "O" RING 012 (3/8 x 1/2 x 1/16")	1
9	R20870	EP "O" RING 014 (1/2 x 5/8 x 1/16")	1
10	R07885	1/2 - 2 WAY LOCK NUT	2
11	R20774	3/4" HYTREL ROD WIPER 52-750	1
12	R21207	3/8" CHECK VALVE	2
13	R20874	3/4" HYTREL ROD WIPER 52-750	1
14	R20871	EP "O" RING 210 (3/4 x 1 x 1/8")	1
15	312-06-00-037	CYLINDER DIVIDER BLOCK	1
16	R20836	"O" RING #11-334 (2 5/8 x 3 x 3/16")	3
17	R20865	O-RING #11-014	1
18	312-06-00-038	HYDRAULIC PLUNGER	1
19	R20837	BACK UP #8-334	2
20	312-06-00-035	HYDRAULIC CYLINDER TUBE	1
21	312-06-00-036	HYDRAULIC CYLINDER END CAP	1
22	R07805	1/2 LOCK WASHER	4
23	R08434	1/2 x 13 UNC x 8 1/2" HEX BOLT	4
24	R09689	"CAUTION" DECAL	1

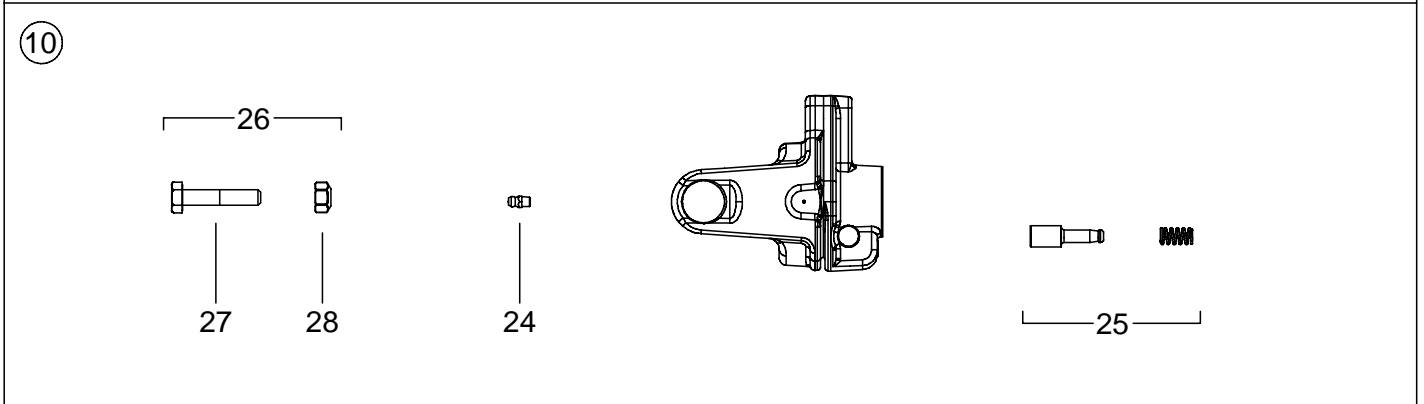
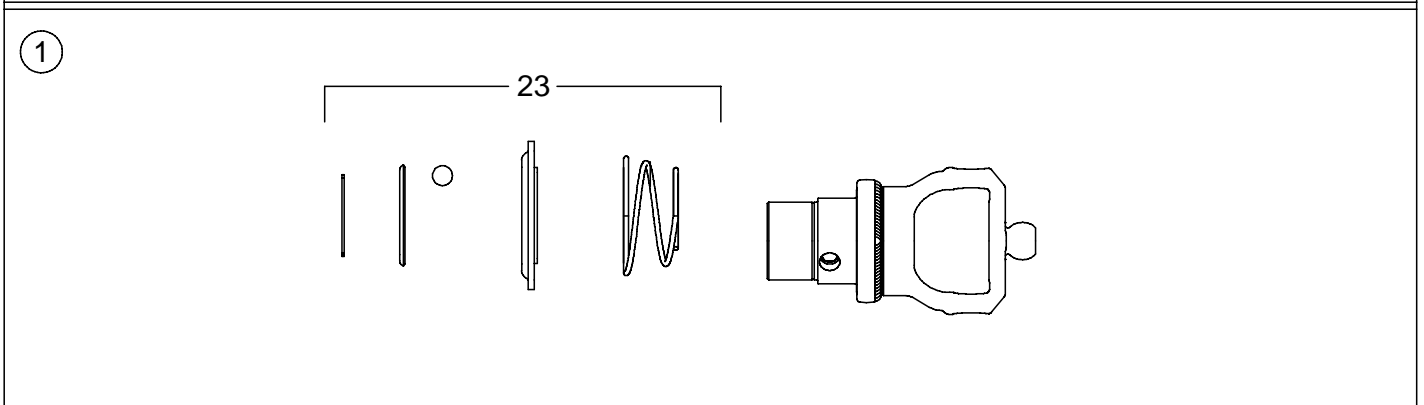
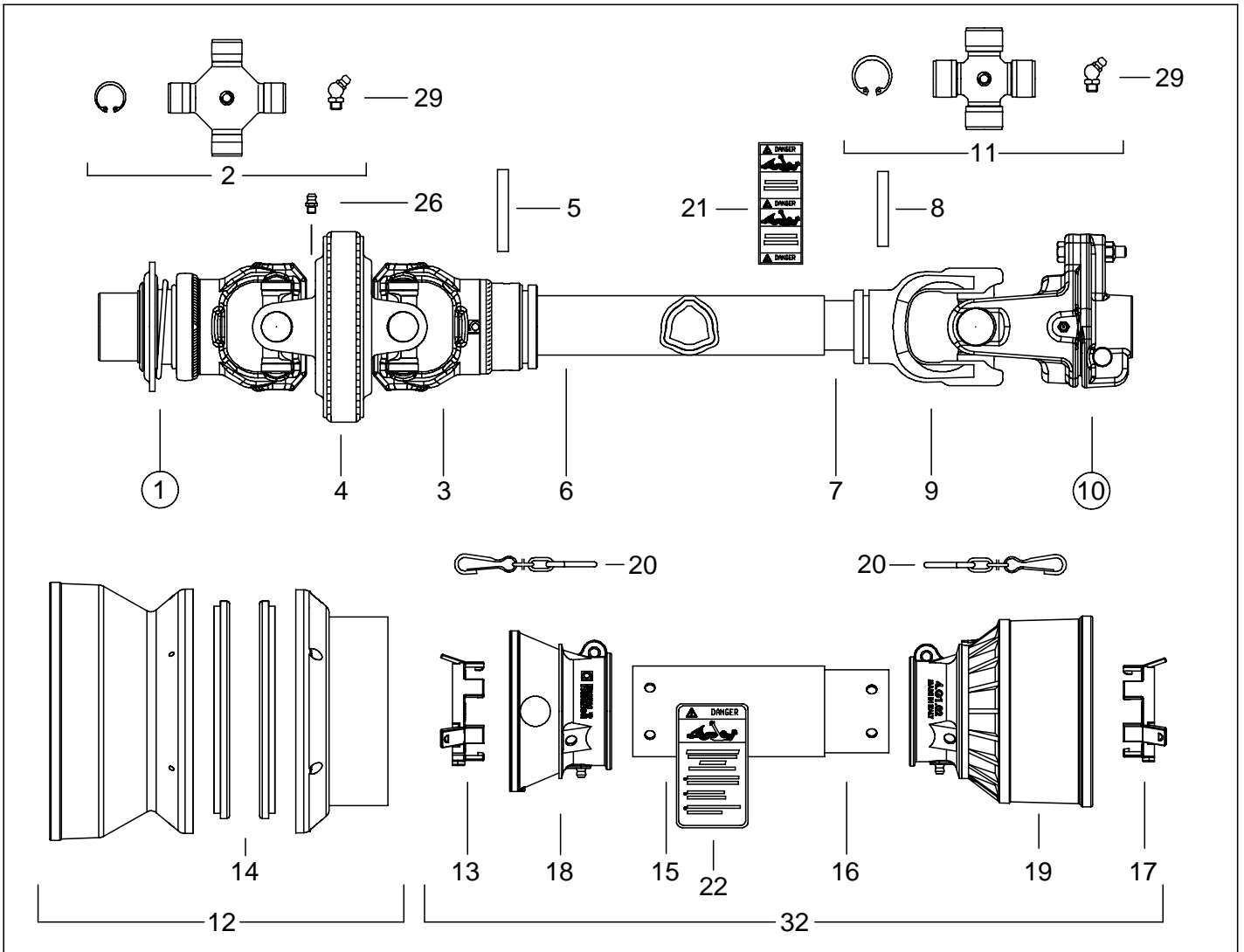


# MASTER CYLINDER KIT COMPLETE

PARTS LIST			
ITEM	PART NUMBER	DESCRIPTION	QTY
1	312-06-00-000	MASTER CYLINDER KIT	1
2	312-06-05-000	HYD HOSE ASSY	1
2.1	R20803	3/8 - 16 NPT SOLID MALE STEM	1
2.2	R20804	1/4 STEM 1/2 NPT SOLID MALE STEM	1
2.3	R21231	STEEL FERRULE - 1/4"	2
2.4	312-06-05-048	1/4" RUBBER HYD HOSE	1
3	312-09-00-054	RELIEF VALVE MOUNT PLATE	1
4	R21397	3/8" HYDRAULIC NIPPLE	1
5	R21209	DUAL RELIEF VALVE	1
6	R02043	BUSHING 1/2 x 3/8	1
7	R21334	1/4 x 3/8-90 DEG SWIVEL ADAPTER	1
8	R21250	PRESSURE GAUGE	1
9	R07614	5/16" x 2 1/2 HEX BOLT	1
10	R07812	5/16 HEX NUT	1
11	R07802	5/16 LOCK WASHER	1
12	R22247	3/8 TEE - MxFxF	1
13	R20812	3/8"M X 3/8"F NPT ST SWIVEL ADAPTOR	2
14	R02042	1/4" X 3/8" BUSHING	1
15	R21367	1/2 X 90 HYD ELBOW	1



PTO - ELITE & SLIM LINE



## PTO - ELITE & SLIM LINE

R21582 - 1 3/8" 6 TOOTH - 540 RPM

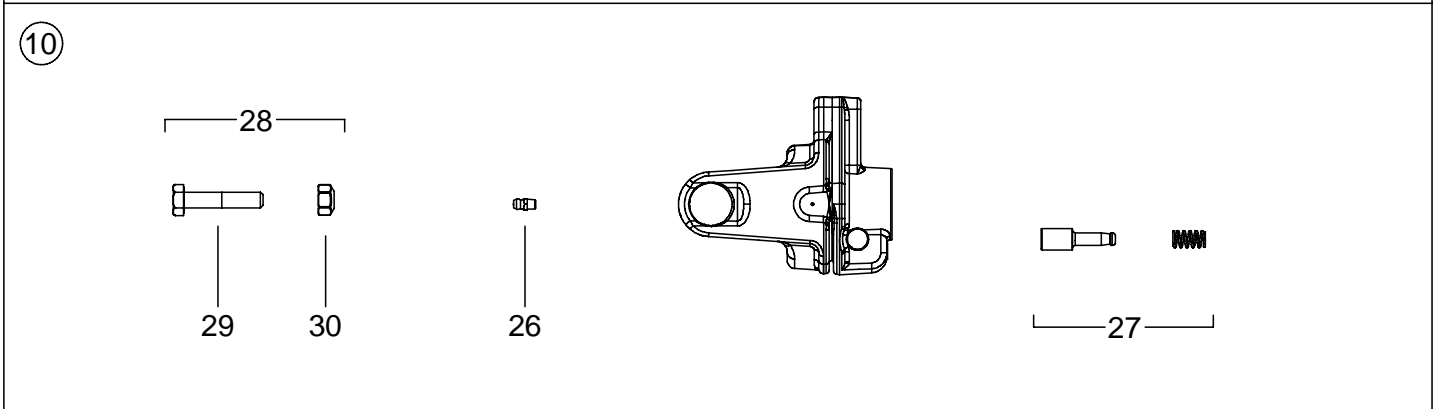
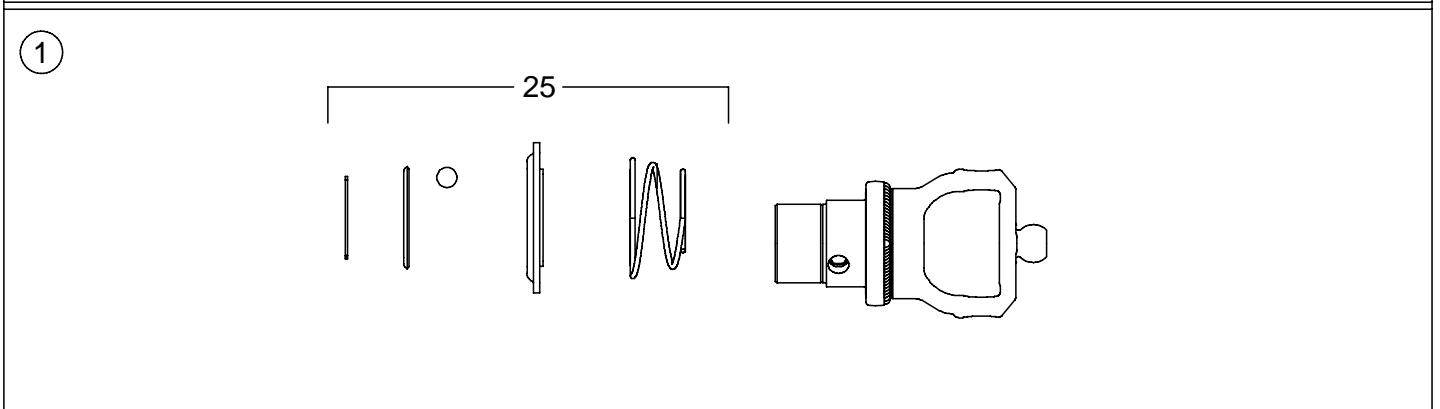
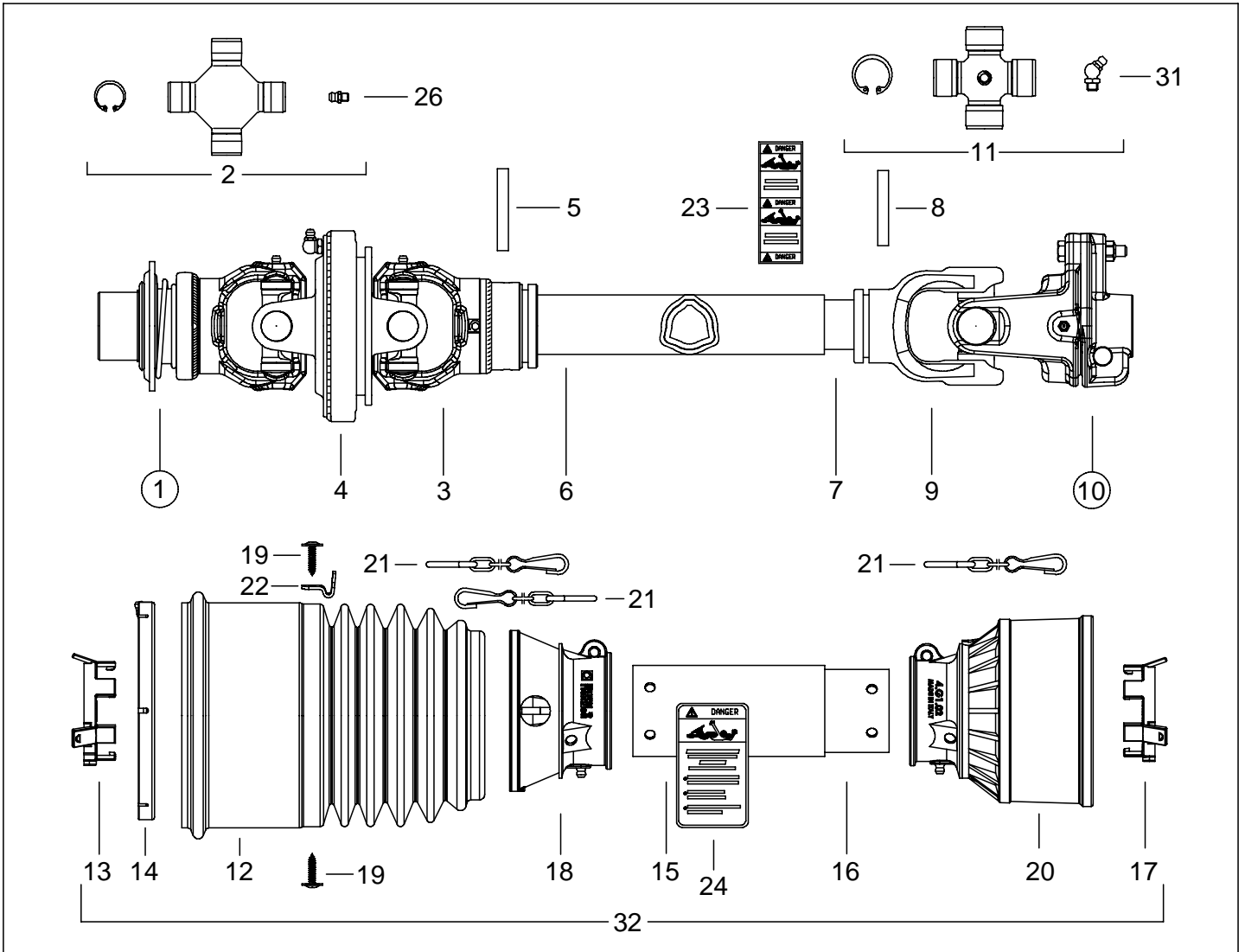
R21583 - 1 3/8" 21 TOOTH - 1000 RPM

R21584 - 1 3/4" 20 TOOTH - 1000 RPM

Table				
ITEM	MFG #	PART NUMBER	DESCRIPTION	QTY
1		R22204	#4 1 3/8" CV YOKE-21T SLIDING COLLAR YOKE	1
		R22203	#4 1 3/8" CV YOKE-6T SLIDING COLLAR YOKE	1
		R22205	#4 1 3/4" CV YOKE-20T SLIDING COLLAR YOKE	1
2	4120440012	R21682	CROSS KIT	2
3	215046854	R21686	SHEAR YOKE	1
4	511040051	R21685	CENTRAL BODY	1
5	341038000	R21475	FLEXIBLE ROLL PIN - OUTER	1
6	255311060	R22177	CARDIN DRIVE TUBE - OUTER	1
7	245101060	R22176	CARDIN DRIVE TUBE - INNER	1
8	341048000	R21476	FLEXIBLE ROLL PIN - INNER	1
9	204046852	R21472	INNER TUBE YOKE	1
10	606404001	R21473	LB4/N4 1-3/8" Z6 1700NM PUSH PIN	1
11	41204	R21693	CROSS KIT #4 27x74.6	1
12	517048001	R21703	CONE KIT	1
13	255040005	R21696	SHIELD BEARING #3/4 OUTER	1
14	255040351	R21702	RING NUT DOWELS	2
15	236680577	R21698	OUTER TUBE	1
16	236671007	R22178	INNER TUBE	1
17	255040006	R21701	SHIELD BEARING #3/4 INNER	1
18		R21485	CONE	1
19	517040061	R21700	SAFETY CONE	1
20	252000050R02	R21738	COMPLETE CHAIN	3
21	399143000	R21523	DANGER LABEL - OUTER DRIVE TUBE	1
22	399141000	R21521	DANGER/SHIELD LABEL	1
23			BALL COLLAR KIT 1-3/8" 6T & 21T	1
			BALL COLLAR KIT 1-3/4" 20T	1
24	348017000R20	R21687	GREASE FITTING M6x1 STRAIGHT	2
25	401000001	R21451	COMPLETE PUSH PIN 1-3/8" 6T	1
26	432000047R05	357-36-00-000	M8x1.25x45 SHEAR BOLT AND NUT - 5/PKG	1
27		R08251	M8x45 BOLT	1
28		R08252	M8 NUT	1
29	348004000	R21655	GREASE FITTING 45°	1
30	5F04121E1654	R22182	GUARD KIT	1



PTO - ELITE & SLIM LINE - NEW STYLE



## PTO - ELITE & SLIM LINE - NEW STYLE

R21582 - 1 3/8" 6 TOOTH - 540 RPM

R21583 - 1 3/8" 21 TOOTH - 1000 RPM

R21584 - 1 3/4" 20 TOOTH - 1000 RPM

Table				
ITEM	MFG #	PART NUMBER	DESCRIPTION	QTY
1	5730E3777	R22706	#4 1 3/8" CV YOKE-21T SLIDING COLLAR YOKE	1
	5730E0384	R22707	#4 1 3/8" CV YOKE-6T SLIDING COLLAR YOKE	1
	5730E3884	R22708	#4 1 3/4" CV YOKE-20T SLIDING COLLAR YOKE	1
2	4120E0051R40	R22709	CROSS KIT	2
3	2150E6885	R22710	SHEAR YOKE	1
4	5110E0052	R22711	CENTRAL BODY	1
5	341038000R10	R21475	FLEXIBLE ROLL PIN #3/4 OUTER 8x60mm	1
6	225311060	R22177	CARDIN DRIVE TUBE #3/4 OUTER RILSAN	1
7	245101075	R22176	CARDIN DRIVE TUBE #4 INNER RILSAN	1
8	341048000R10	R21476	FLEXIBLE ROLL PIN #3/4 INNER 8x55mm	1
9	204046852	R21472	YOKE #4 INNER TUBE	1
10	6060E0302R	R22712	LB4/N4 1-3/8" Z6 1700NM PUSH PIN	1
11	41204E0011R25	R21693	CROSS KIT #4 27x74.6	1
12	2190E0127	R22713	CONE	1
13	255040005R02	R22714	SHIELD BEARING #3/4 OUTER	1
14	2550E0005R02	R22715	RING	1
15	236681007	R22716	OUTER TUBE	1
16	236671007	R22717	INNER TUBE	1
17	255040006R02	R21701	SHIELD BEARING #3/4 INNER	1
18	254040020	R22718	CONE	1
19	3100101428R30	R22719	SCREW w/ WASHER	6
20	517040020	R22720	SAFETY CONE	1
21	252000050R02	R21738	COMPLETE CHAIN	3
22	240001063	R22721	HOOK FOR CHAIN	1
23	399143000	R21523	DANGER LABEL - OUTER DRIVE TUBE	1
24	399141000	R21521	DANGER/SHIELD LABEL	1
25	435000323R	R22722	BALL COLLAR KIT 1-3/8" 6T & 21T	1
	435000420R	R22723	BALL COLLAR KIT 1-3/4" 20T	1
26	348017000R20	R21687	GREASE FITTING M6x1 STRAIGHT	2
27	403000001R10	R22724	COMPLETE PUSH PIN 1-3/8" 6T	1
28	432000047R05	357-36-00-000	M8x1.25x45 SHEAR BOLT AND NUT - 5/PKG	1
29		R08251	M8x45 BOLT	1
30		R08252	M8 NUT	1
31	348004000	R21655	GREASE FITTING 45°	1
32	5F04121W1UC	R22471	COMPLETE GUARD KIT	1

# **HUSKY FARM EQUIPMENT LIMITED**

ALMA, ON

NOB 1A0

PHONE: (519) 846-5329

FAX: (519) 846-9378

## **FIVE YEAR AXLE WARRANTY**

Husky Farm Equipment Limited will guarantee for five (5) years from date of invoice, all Manure Spreader undercarriages and axle assemblies, if used on a farm for farm purposes.

Husky will replace free of charge:

1. Any part of the axle which should break or collapse through normal use.
2. Any spindles or hubs which should break through normal use.
3. Any wheel and rim assemblies which should fail through normal use.

Exempt from extended warranty are:

1. Any part of the axle which should break or collapse through overload. Overload includes: Any attachments (ie. injectors) and any product being transported in Spreader weighing more than 10 lb/gallon. (ie. manure mixed with sand).
2. Bearings and tires which are covered under normal warranty and do require maintenance to avoid failure.
3. Wheel or rim damage resulting from owner failing to keep wheel bolts tight.
4. Spindles damaged through bearing failure.
5. Any axle that is custom built.
6. Any axle used in commercial custom hauling applications.

To qualify for extended warranty, damaged parts must be returned to Husky Farm Equipment Limited, prepaid shipping, along with serial number and copy of the original invoice.

All parts supplied by Husky on warranty, will be shipped freight collect. Extended warranty covers damaged parts only and does not cause liability on Husky for any damage resulting from such failure.

## **TEN YEAR WARRANTY AGAINST RUSTOUT**

Husky Farm Equipment provides a ten (10) year warranty from date of invoice, against premature perforation (rust out) of any liquid manure spreader manufactured. Providing the manure spreader is used for manure or sludge and not for chemical products.

Extended warranty is pro rated and will be paid only through the crediting off of the then current list price of a replacement manure spreader of the portion of warranty not used up in time.

Warranty will be effective toward replacing spreader only and no cash payment will be made. It will be understood that the original equipment to be replaced will then become property of Husky Farm Equipment Limited.

This extended warranty will be effective through Husky Farm Equipment factory or factory outlet only. A copy of the original invoice is to be supplied along with the serial number. This warranty will not be effective for commercial custom haulers or to owners other than the original.

Transportation to and from the factory is to be paid for by the owner of the equipment and not by Husky Farm Equipment Limited.