

Date Purchased _____ Machine Serial No. _____

Size of Spreader _____ Options _____

The key number system in this parts book is arranged as follows:

- ⊙ - Key numbers with two circles denotes main assemblies.
- - Key numbers with one circle are individual parts

Please order parts by number



15000L ELITE SPREADER ▪ 359-00-00-000

OPERATING INSTRUCTIONS:

1. Heed all warnings.
2. Minimum HP requirements to safely operate on level terrain, on hilly terrain HP should be increased.

4500L	70 HP
7000L	85 HP
9000L	95 HP
12000L	110 HP
14000L	130 HP
15000L	140 HP
18000L	160 HP
23000L	200 HP
28000L	250 HP

3. If machine is equipped with hydraulic brakes that are operated from the tractor hydraulics, they will not work should the tractor motor stop. Inspect brakes before each use. Brakes must be bled before initial use unless installed at factory. When releasing brakes the tractor hydraulic lever must be put in the opposing position to release pressure. Do not put in float position they will not release.
4. Tractor PTO spline must be approximately 14" (355mm) from end of compressed PTO for proper adjustment
5. Hitch tanker to tractor with minimum 1" (25mm) hardened hitch pin with a safety lock. Use 10,000 Lbs safety chain from spreader to tractor.
6. Do not use tongue stand to support loaded spreader. Put jack in storage position before using.
7. When hooking PTO to tractor make sure motor is stopped. Make sure QD (Quick Disconnect) safety locking pin is in locked position before using.
8. Clean off hose ends before plugging into tractor hydraulics. If spreader is equipped with hydraulic drive on spreading attachment, make sure tractor has sufficient oil flow and pressure to maintain satisfactory spread pattern, if not use another tractor.

This Page is Intentionally Left Blank

OPERATING INSTRUCTIONS continued:

9. After using spreader in freezing conditions make sure impeller housing is drained.
10. Wash tank inside and out each time work is finished. This will increase the life of the tank by many years. See item 6 of Safety instructions
11. Do not drive on public roads after dusk unless equipped with lights required by Department of Transportation in your area.
12. Remove wheels annually and grease wheel bearings.
13. Because manure smells, many farmers have made unfriendly neighbours. If in a residential area a manure injector is a recommended option to bury the smell.
14. Much of the fertilizer value of manure is lost when exposed to air. Getting the manure covered quickly is a very important part of spreading manure.
15. If rustproof coating on interior shows signs of deterioration, have interior repainted. This can be done with a roller or brush. This helps to increase the life of your spreader. It is a valuable maintenance procedure.

SAFETY INSTRUCTIONS:

Do not operate this machine until you fully understand the safe operating practices.

1. Make sure all moving parts are shielded to prevent coming in contact with loose clothing.
2. Keep children clear; do not let children or any person(s) ride the spreader at anytime.
3. Do not support loaded spreader on tongue jack.
4. Keep tire pressure to recommended pressure at all times. Recommended tire pressure being:

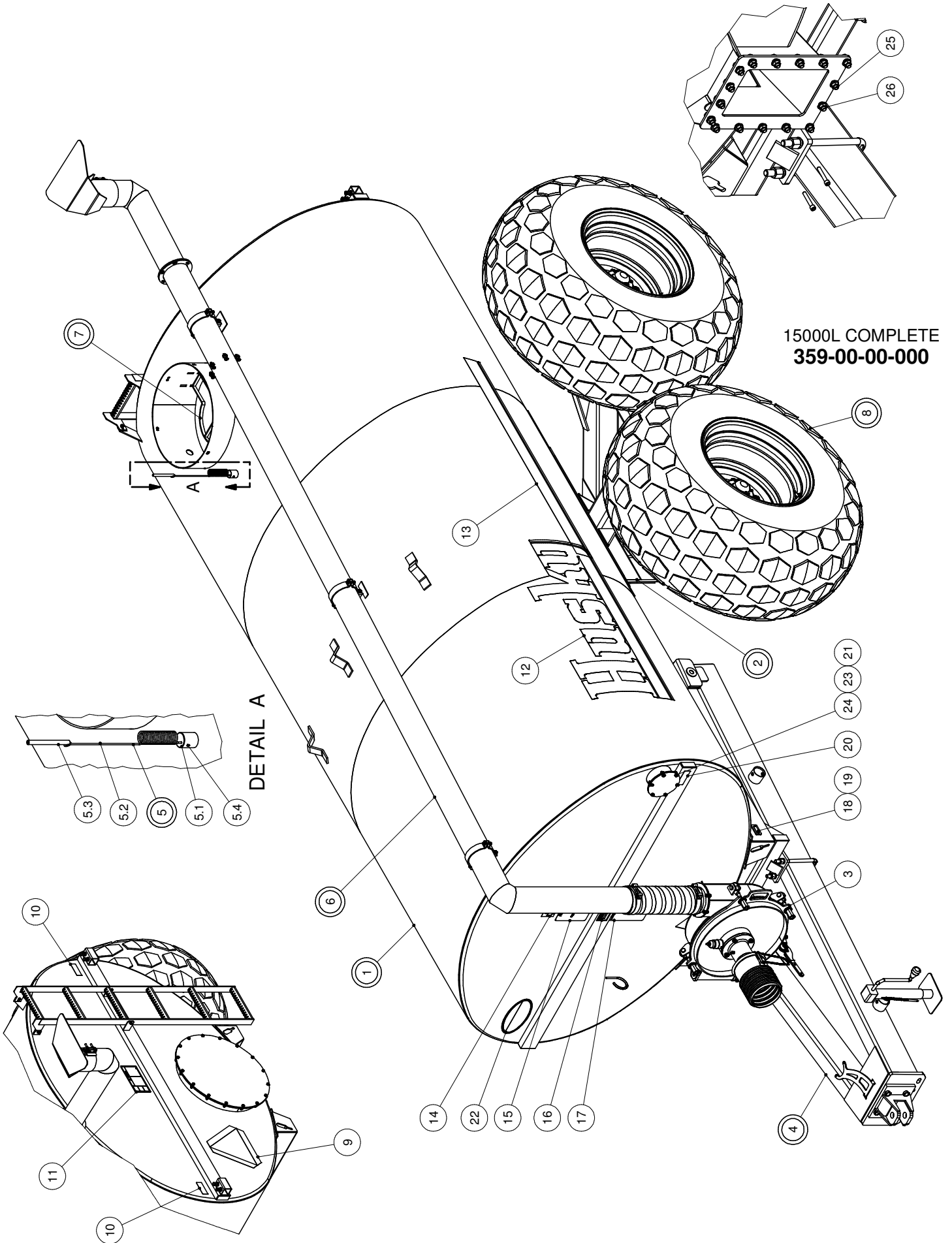
Size	Description	PSI	KPA
40 x 14	Airplane Tires	55	379
44 x 16	Airplane Tires	55	379
47 x 18 x 18	Airplane Tires	55	379
50 x 20 x 20	Airplane Tires	55	379
16.5L x 16.1	Implement Tires	35	241
21.5L x 16.1	Implement Tires	35	241
18.4L x 26	Turf Tires	30	207
23.1L x 26	Turf Tires	24	166
28L x 26	Turf Tires	24	166
30.5L x 32	Turf Tires	35-40	241
35.5L x 32	20 ply Turf Tires	35	241
18L x 22.5	Truck Tires	65	448
23.5L x 25	Loader Dozer Tires	55	379

5. Keep wheel bolts torqued to the recommended torque at all times. (Check Daily)

Wheel Bolt Size	Ft/Lbs Torque (Dry)	Ft/Lbs. - Oiled	Meter/Kg - Torque Dry	Meter/Kg - Oiled
9/16 – 18 NF GR. 5	120	90	16.59	12.44
5/8 – 18 NF GR. 8	240	180	33.18	24.89
3/4 – 16 NF GR. 8	420	310	58.07	42.86

6. Never enter a tanker without special breathing equipment to supply oxygen. Manure gases can kill instantly. One breath of Hydrogen Sulphide can kill.
7. When repairing hydraulic hoses, always relieve pressure in hose. Always wear safety glasses while working on spreader.
8. Caution – disc brakes will not release until valve lever is held momentarily in opposite position. This will relieve pressure in brake line. Do not put in float position, they will not release. (Rule does not apply to Husky Manure Spreaders equipped with a Knott Brake System)

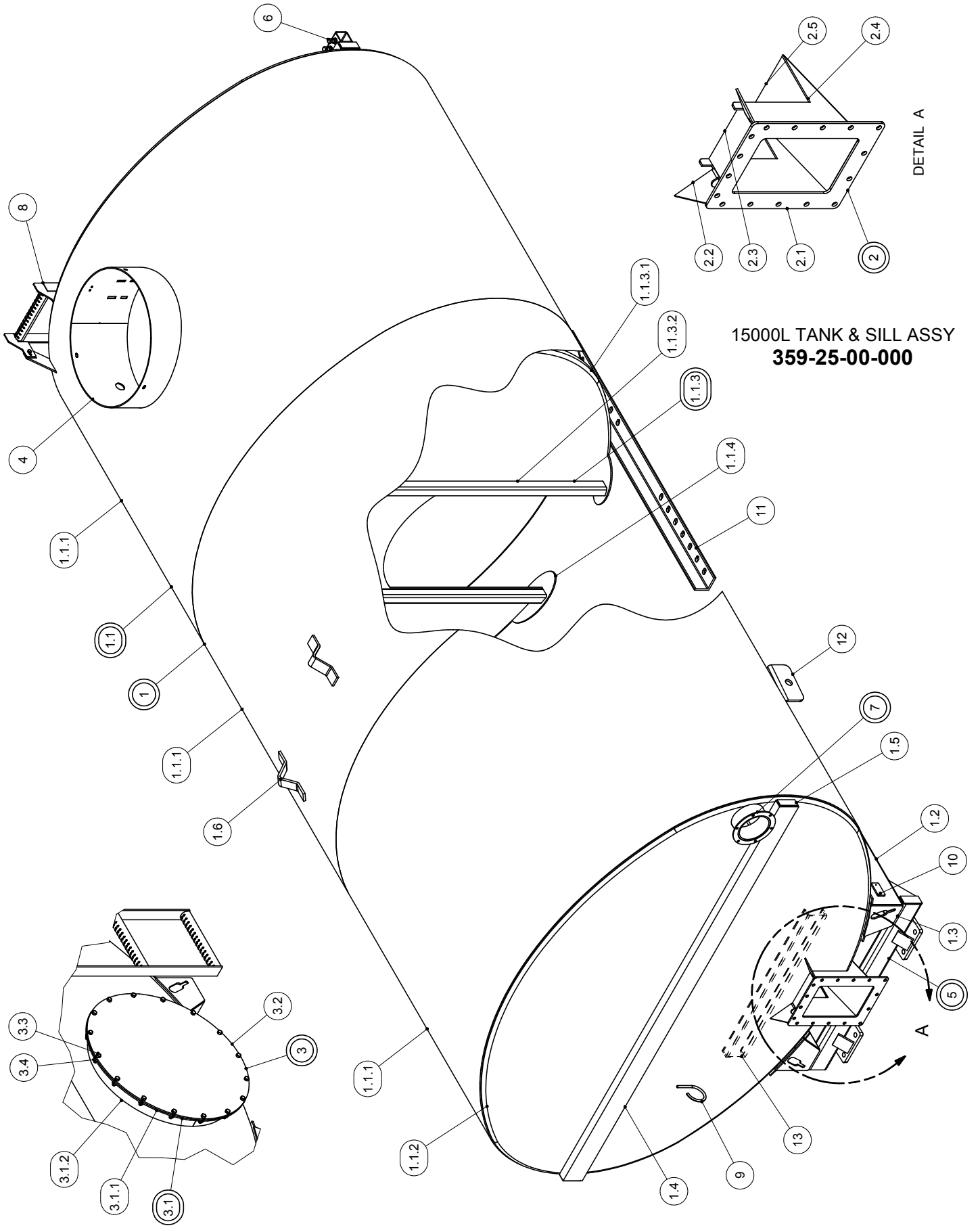
15000L COMPLETE



15000L COMPLETE

PARTS LIST			
ITEM	PART NUMBER	DESCRIPTION	QTY
1	359-25-00-000	15000L TANK,SILL & FUNNEL ASSY-68 X 91	1
2	359-77-00-000	AXLE KIT FOR 28L X 26 TIRES-15000L	1
3	384-50-00-000	540 FAN & HOUSING COMPLETE-TAPERED SHAFT	1
4	364-33-00-000	EXTENDED TONGUE KIT	1
5	340-62-00-000	INDICATOR KIT	1
5.1	340-00-00-536	FLAG SPRING HOLDER	1
5.2	R08037	SPRING FOR SPREADER FLAG	1
5.3	340-62-00-553	INDICATOR HOSE	1
5.4	R07906	5/16-18 UNC x 0.31 SET SCREW - ZINC	1
6	359-85-00-000	15000L 6" DISCHARGE PIPE KIT	1
7	357-63-00-000	SAFETY BAR ASSY	1
8	330-04-00-000	28L x 26 TIRE & WHEEL ASSY	4
9	R09501	SLOW MOVING VEHICLE DECAL	1
10	R10096	RED REFLECTOR	2
11	R10334	TOXIC GAS PICTORIAL DECAL	1
12	R09510	"HUSKY" DECAL	2
13	R09511	ACCENT STRIP	2
14	R09509	"MADE IN CANADA" DECAL - LARGE	1
15	R09730	TORQUE, TIRE PRESSURE DECAL	1
16	R09512	CAPACITY DECAL	1
17	R09783	"CAUTION" DECAL	1
18	R09071	SERIAL NUMBER PLATE	1
19	R08152	#6 x 1/4" PAN HD SOCKET SCREW	2
20	R10097	AMBER REFLECTOR	1
21	330-00-00-559	ACCESS TUBE COVER PLATE	1
22	R10335	MANURE SPILL DECAL	1
23	R07794	3/8-16 UNC FLANGE NUT - ZINC	6
24	R07619	3/8-16 UNC x 1 HEX BOLT GR.5	6
25	R07674	1/2-13 UNC x 1.25 HEX BOLT GR.5	16
26	R07795	1/2-13 UNC FLANGE NUT - ZINC	16

15000L TANK & SILL ASSY

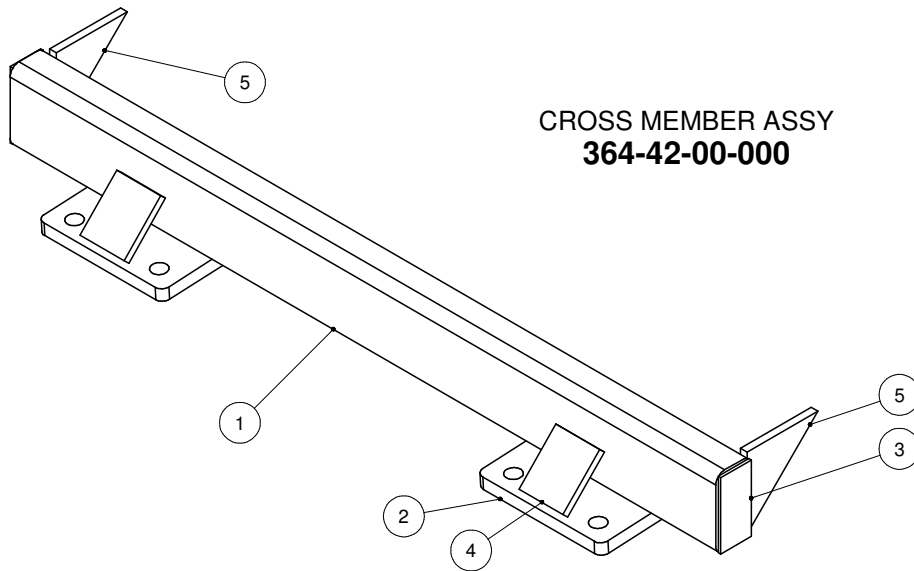


15000L TANK & SILL ASSY
359-25-00-000

DETAIL A

15000L TANK & SILL ASSY

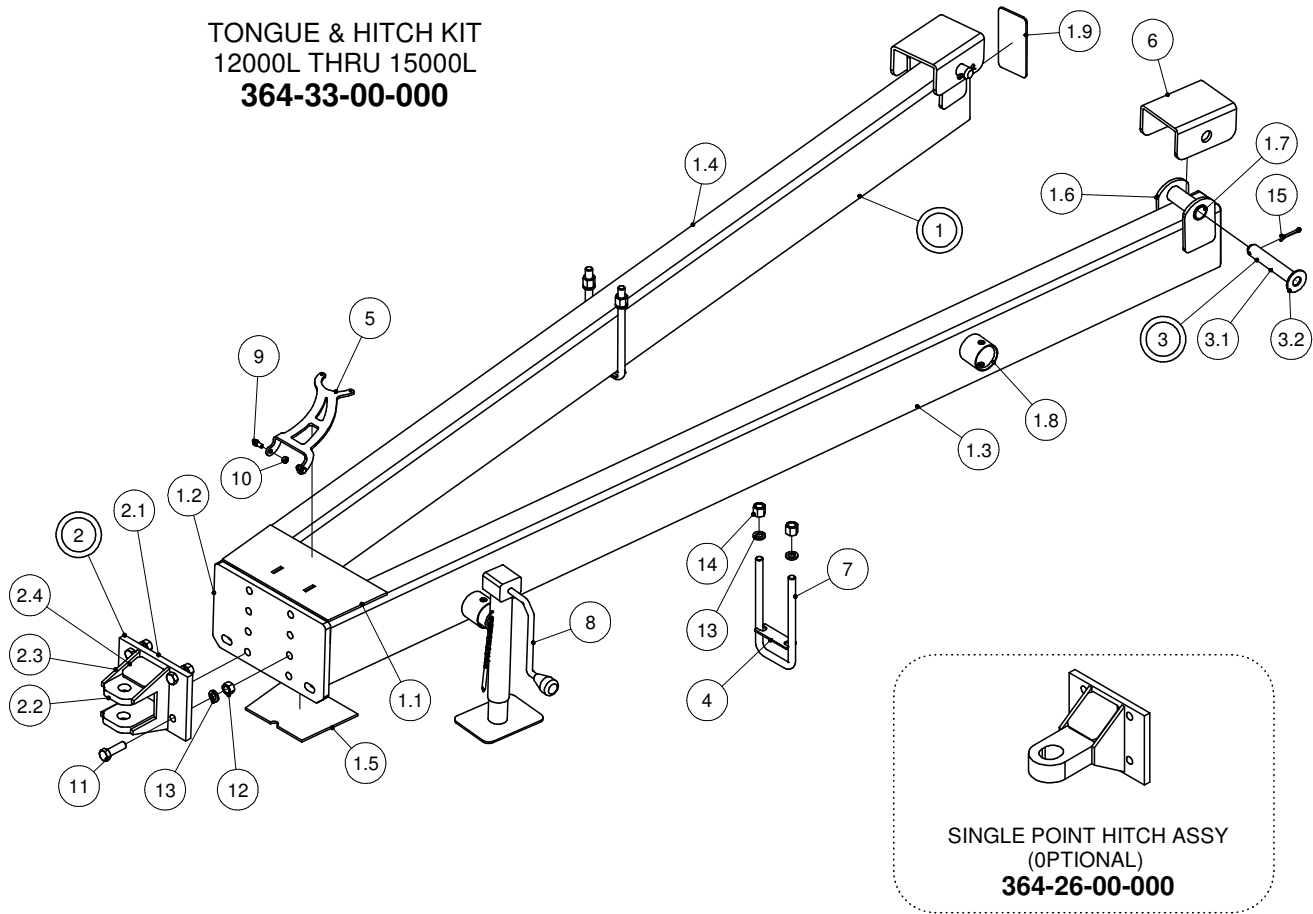
PARTS LIST				PARTS LIST			
ITEM	PART NUMBER	DESCRIPTION	QTY	ITEM	PART NUMBER	DESCRIPTION	QTY
1	359-25-01-000	15000L TANK & SILL ASSY-68 X 91 PROFILE	1	2.4	364-82-00-396	RH OUTLET SIDE PC	1
				2.5	364-01-03-105	OUTLET BOTTOM PC	1
1.1	359-25-02-000	15000L TANK W/ BAFFLE ASSY-68 X 91 PROFILE	1	3	384-40-00-000	ACCESS HOLE & COVER PLATE KIT	1
				3.1	384-40-01-000	ACCESS RING ASSY	1
1.1.1	359-25-02-605	15000L TANK SHELL-68 X 91 PROFILE	3	3.1.1	384-40-01-490	ACCESS HOLE FLANGE	1
				3.1.2	384-40-01-491	ACCESS HOLE RING	1
1.1.2	359-25-02-604	15000L TANK END-68 X 91" PROFILE	2	3.2	384-40-00-492	ACCESS HOLE COVER PLATE	1
1.1.3	359-25-03-000	BAFFLE ASSY-68 X 91 PROFILE	1	3.3	R07671	7/16-14 UNC x 1.25 HEX BOLT GR.5	16
1.1.3.1	359-25-03-606	15000L BAFFLE-68 X 91" PROFILE	1	3.4	R07879	7/16-14 UNC FLANGE NUT - ZINC	16
1.1.3.2	359-25-03-607	15000L BAFFLE SUPPORT TUBE	2	4	364-02-00-006	24" MANHOLE	1
1.1.4	340-01-01-559	OVAL REINFORCING PLATE	2	5	364-42-00-000	CROSS MEMBER ASSY	1
1.2	335-01-00-001	15000 L SILL	2	6	357-30-03-000	MOUNT BRKT ASSY	2
1.3	330-67-00-260	SILL CAP	4	7	330-20-03-000	ACCESS TUBE ASSY	1
1.4	359-25-01-608	TANK END STIFFENER	2	8	364-95-00-000	LADDER ASSY	1
1.5	330-66-00-258	STIFFENER END CAP	4	9	315-30-00-108	HYD. HOSE HOOK	1
1.6	300-01-00-012	TANK LIFT HOOK	3	10	340-01-00-498	SERIAL NO. BACK PLATE	1
2	364-82-00-000	FLANGED TANK OUTLET	1	11	364-02-00-280	AXLE ADJUSTMENT ANGLE	2
2.1	364-81-02-393	HOUSING FLANGE	1	12	315-31-00-115	TONGUE "U" PC - ELITE	2
2.2	364-82-00-395	LH OUTLET SIDE PC	1	13	384-01-00-246	INSIDE CROSS SUPPORT CHANNEL	1
2.3	364-01-03-104	OUTLET TOP PC	1				



PARTS LIST			
ITEM	PART NUMBER	DESCRIPTION	QTY
1	364-02-17-120	CROSS MEMBER	1
2	364-02-17-122	TONGUE STRAP	2
3	364-02-17-121	END CAP	2
4	364-02-17-123	TONGUE STRAP GUSSET	2
5	364-02-17-128	CROSS MEMBER GUSSET	2

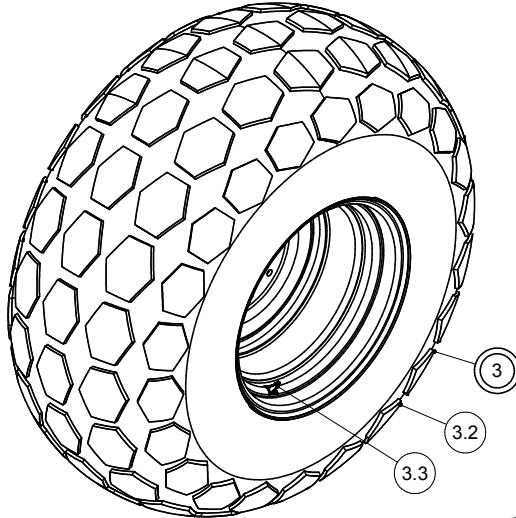
12000L-15000L TONGUE & HITCH KIT

**TONGUE & HITCH KIT
12000L THRU 15000L
364-33-00-000**

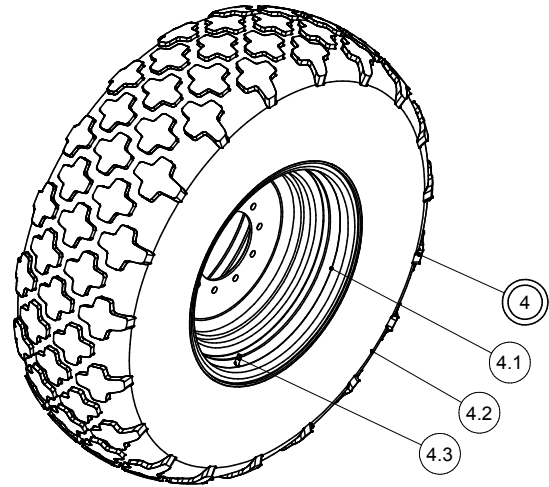


PARTS LIST				PARTS LIST			
ITEM	PART NUMBER	DESCRIPTION	QTY	ITEM	PART NUMBER	DESCRIPTION	QTY
1	364-32-00-000	TONGUE ASSY	1	3	315-39-00-000	LOCK PIN ASSY	2
1.1	364-32-00-379	TONGUE TUBE UPPER GUSSET	1	3.1	315-39-00-155	TONGUE LOCK PIN	1
1.2	364-35-00-117	HITCH BOLT PLATE	1	3.2	R07828	1 FLAT WASHER STD - ZINC	1
1.3	364-32-00-378	LH TONGUE TUBE - LONG STYLE	1	4	364-00-00-131	U - BOLT SPACER	2
1.4	364-32-00-377	RH TONGUE TUBE - LONG STYLE	1	5	395-07-00-076	PTO HOLDER BRACKET	1
1.5	364-32-00-380	TONGUE TUBE LOWER GUSSET	1	6	315-31-00-115	TONGUE "U" PC	2
1.6	315-36-00-146	TONGUE SIDE PC	4	7	R08172	3/4" UNF x 10" - "U" BOLT	2
1.7	315-36-00-145	TONGUE BUSHING	2	8	R09751	7000LB SIDE WIND JACK	1
1.8	364-35-00-245	TONGUE JACK BRKT	2	9	R07688	3/8-16 UNC x 0.75 HEX BOLT GR.5	2
1.9	315-36-00-147	TONGUE TUBE COVER	2	10	R07886	3/8-16 UNC 2-WAY LOCK NUT - ZINC	2
2	364-05-00-000	HITCH ASSY	1	11	R07655	3/4-10 UNC x 2.5 HEX BOLT GR.5	4
2.1	364-05-00-030	HITCH BACK PLATE	1	12	R07787	3/4-10 UNC HEX NUT - ZINC	4
2.2	364-05-00-031	HITCH PLATE	2	13	R07807	3/4 LOCK WASHER - ZINC	8
2.3	364-05-00-032	HITCH SIDE GUSSET	2	14	R07820	3/4-16 UNF HIGH HEX NUT - GR.8	4
2.4	364-05-00-033	HITCH GUSSET	2	15	R08016	1/4 x 2 COTTER PIN - SS	2

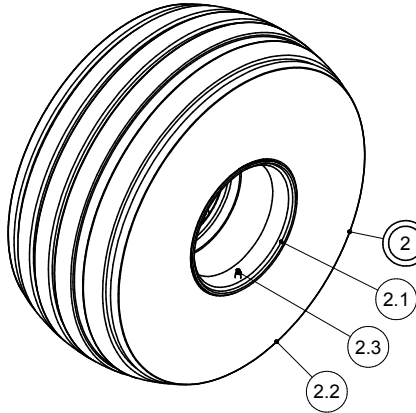
12000L THRU 15000L TIRES



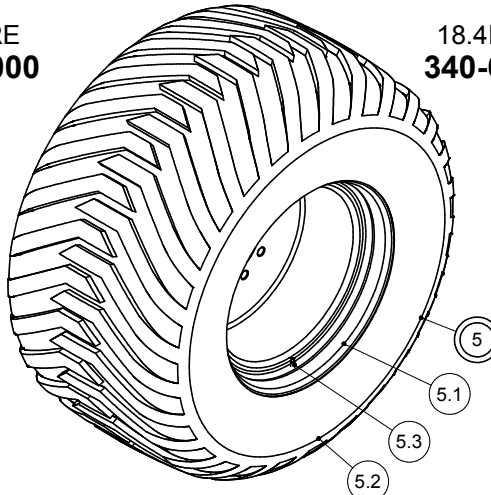
28L x 26 TIRE
330-04-00-000



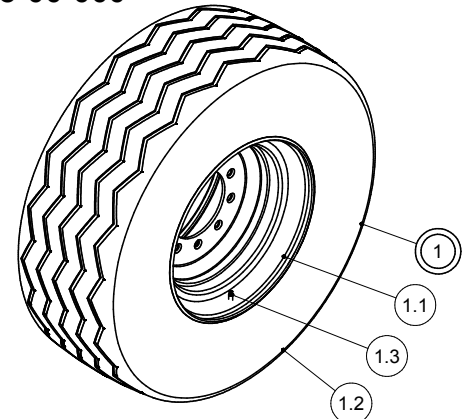
18.4L x 26 TIRE
340-68-00-000



21.5 x 16.1 IMPLEMENT TIRE
326-02-00-000 - 10 PLY
340-54-00-000 - 14 PLY



700/50-26.5 16-PLY ALLIANCE TIRE
359-80-00-000



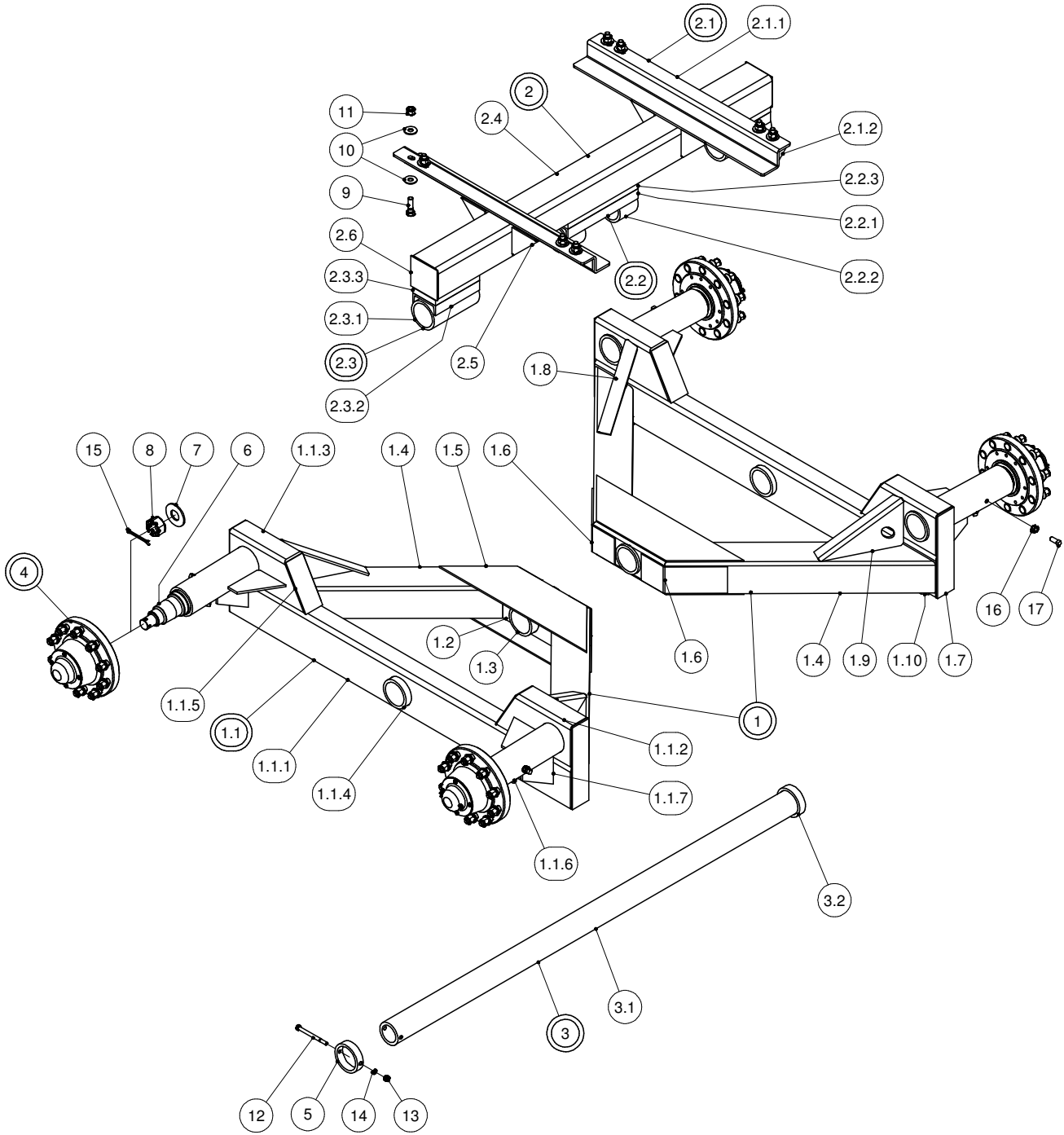
16 x 22.5 USED TRUCK TIRE
340-19-00-000

PARTS LIST				PARTS LIST			
ITEM	PART NUMBER	DESCRIPTION	QTY	ITEM	PART NUMBER	DESCRIPTION	QTY
1	340-19-00-000	16 x 22.5 USED TRUCK TIRE & WHEEL 10 BOLT	4	3	330-04-00-000	28L x 26 TIRE & WHEEL ASSY	4
				3.2	R20015	28L x 26 TURF TIRE	1
1.1	R20059	10 BOLT WHEEL 13.5 x 22.5	1	3.3	R20161	VALVE STEM	1
1.2	R20011	16 x 22.5 USED TRUCK TIRE	1	3.4	R20040	26xDW25B 10-Bolt Wheel 11.25 B.C.	1
1.3	R20050	VALVE STEM FOR TRUCK TIRE	1	4	340-68-00-000	18.4 X 26 TIRE & WHEEL ASSY	4
2	340-54-00-000	21.5 x 16.1 14 PLY T&W 10 BOLT	4	4.1	R20075	16" x 26" 10 BOLT WHEEL	1
	326-02-00-000	21.5 x 16.1 10 PLY T&W 10 BOLT	*	4.2	R20100	18.4" x 26" 10 PLY TBLS TIRE	1
2.1	R20056	RIM FOR 21.5 TIRE - 10 BOLT	1	4.3	R20161	VALVE STEM	1
2.2	R20014	21.5 x 16.1 14 PLY IMPLEMENT TIRE	1	5	359-80-00-000	TIRE & WHEEL ASSY - 700/50x26.5	4
	R20005	21.5 x 16.1 10 PLY IMPLEMENT TIRE	*	5.1	R22555	24 x 26.5 10-11.25 WHEEL	1
2.3	R20020	VALVE STEM	1	5.2	R22554	700/50x26.5 TBLS TIRE	1
				5.3	R20161	VALVE STEM	1

* OPTIONAL

12000L THRU 15000L DROP AXLE KIT

12000L THRU 15000L DROP AXLE KIT
359-77-00-000

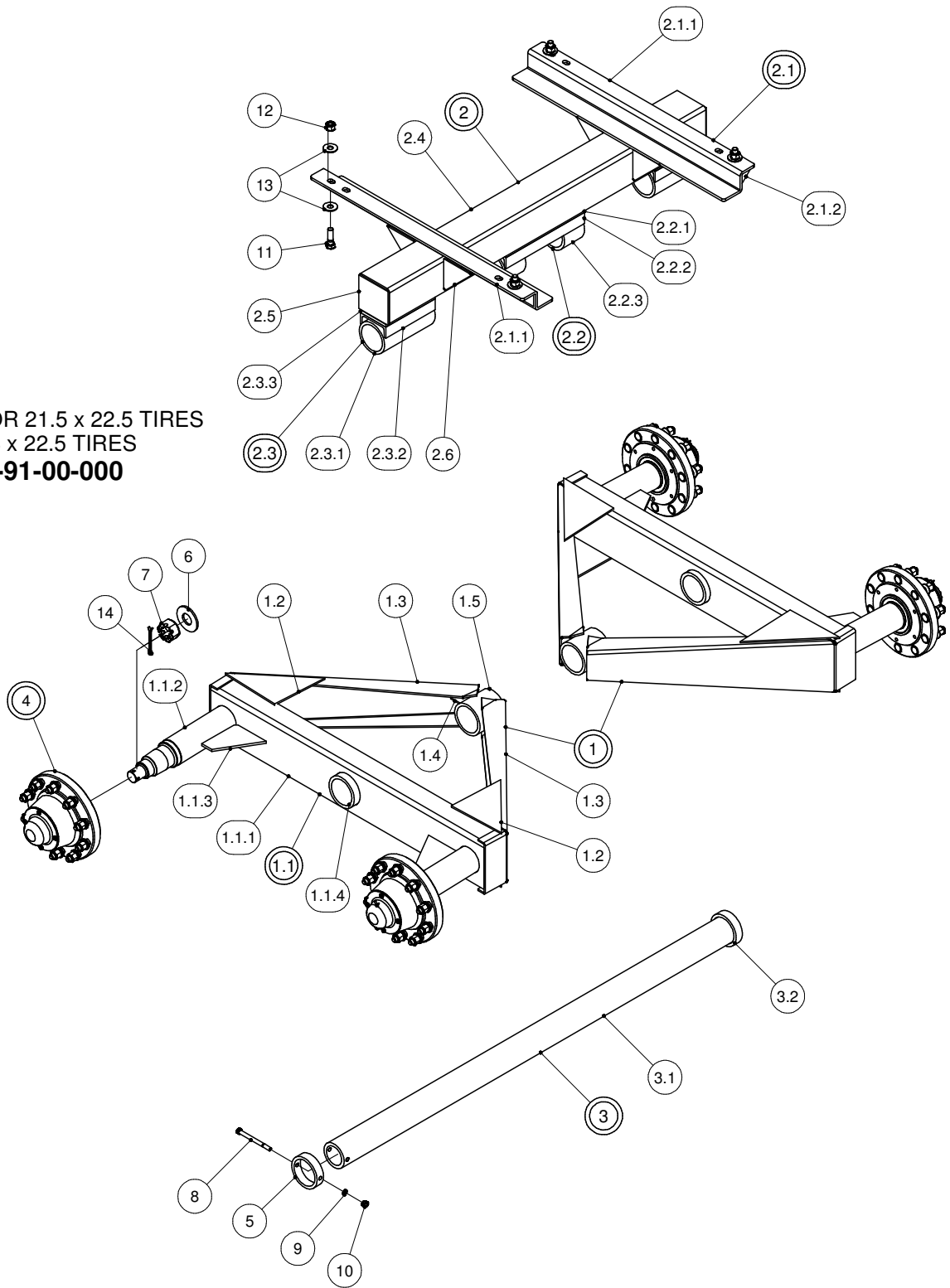


12000L THRU 15000L DROP AXLE KIT

PARTS LIST				PARTS LIST			
ITEM	PART NUMBER	DESCRIPTION	QTY	ITEM	PART NUMBER	DESCRIPTION	QTY
1	359-77-02-000	TANDEM SIDE ASSY	2	2.2.3	359-77-05-519	CENTER SPACER PAD	1
1.1	359-77-01-000	WALKING BEAM ASSY	1	2.3	359-77-04-000	OUTER SLEEVE ASSY	2
1.1.1	330-03-42-505	WALKING BEAM (28L x 26 TIRES)	1	2.3.1	315-35-00-130	STATIONARY SLEEVE	1
1.1.2	364-70-01-390	SPINDLE SLEEVE HOLDER	1	2.3.2	325-62-18-240	LONG CHANNEL SPACER	1
1.1.3	364-70-01-391	SPINDLE SLEEVE HOLDER	1	2.3.3	359-77-04-518	OUTER SPACER BAR	1
1.1.4	315-33-00-127	OUTER ROCKER SLEEVE	1	2.4	330-03-41-504	CROSS AXLE TUBE (28L x 26 TIRES)	1
1.1.5	330-03-42-512	ANGLED END CAP	2	2.5	315-31-00-116	DOUBLE GUSSET	4
1.1.6	364-70-01-392	SPINDLE SLEEVE	2	2.6	325-62-00-238	COVER PLATE	2
1.1.7	330-91-36-486	SPINDLE GUSSET	4	3	330-09-00-000	MAIN AXLE TUBE ASSY	1
1.2	359-77-02-510	MIDDLE CONNECTOR TUBE	1	3.1	330-09-00-529	MAIN AXLE TUBE	1
1.3	358-83-01-235	WALKER SLEEVE	1	3.2	330-08-00-528	STOP RING	1
1.4	359-77-02-512	TANDEM SIDE ARM	2	4	358-11-00-000	16000LB DUCTILE HUB KIT	4
1.5	359-77-02-513	REINFORCING PLATE	2	5	315-00-00-137	RETAINING RING	1
1.6	359-77-02-514	TIE PLATE	2	6	340-00-00-347	16000 SPINDLE	4
1.7	359-77-02-511	END CAP	2	7	340-00-00-556	1 13/16 SPINDLE WASHER	4
1.8	359-77-02-515	SIDE ARM GUSSET-REAR	1	8	R20092	1 3/4 - 12 UNF SPINDLE NUT	4
1.9	359-77-02-516	SIDE ARM GUSSET-FRONT	1	9	R07655	3/4-10 UNC x 2.5 HEX BOLT GR.5	8
1.10	359-77-02-517	BOTTOM GUSSET	2	10	R07827	3/4 FLAT WASHER STD - ZINC	16
2	359-77-03-000	BASE FRAME ASSY - 28L x 26 TIRES	1	11	R07878	3/4-10 UNC NYLOCK NUT - ZINC	8
2.1	330-69-01-000	SILL "Z" PLATE ASSY	2	12	R07645	1/2-13 UNC x 6 HEX BOLT GR.5	1
2.1.1	358-85-00-253	SILL "Z" PLATE	1	13	R07785	1/2-13 UNC HEX NUT - ZINC	1
2.1.2	330-69-00-550	GUSSET	2	14	R07805	1/2 LOCK WASHER - ZINC	1
2.2	359-77-05-000	CENTER SLEEVE ASSY	1	15	R20095	5/16 x 4 COTTER PIN - ZINC	4
2.2.1	330-69-22-263	CENTER CHANNEL SPACER	1	16	R07786	5/8-11 UNC HEX NUT - ZINC	8
2.2.2	330-69-22-264	CENTRE SLEEVE	2	17	R07927	5/8-11 UNC x 1.5 SQ HD SET SCREW - BLK	8

12000L THRU 15000L STRAIGHT AXLE KIT

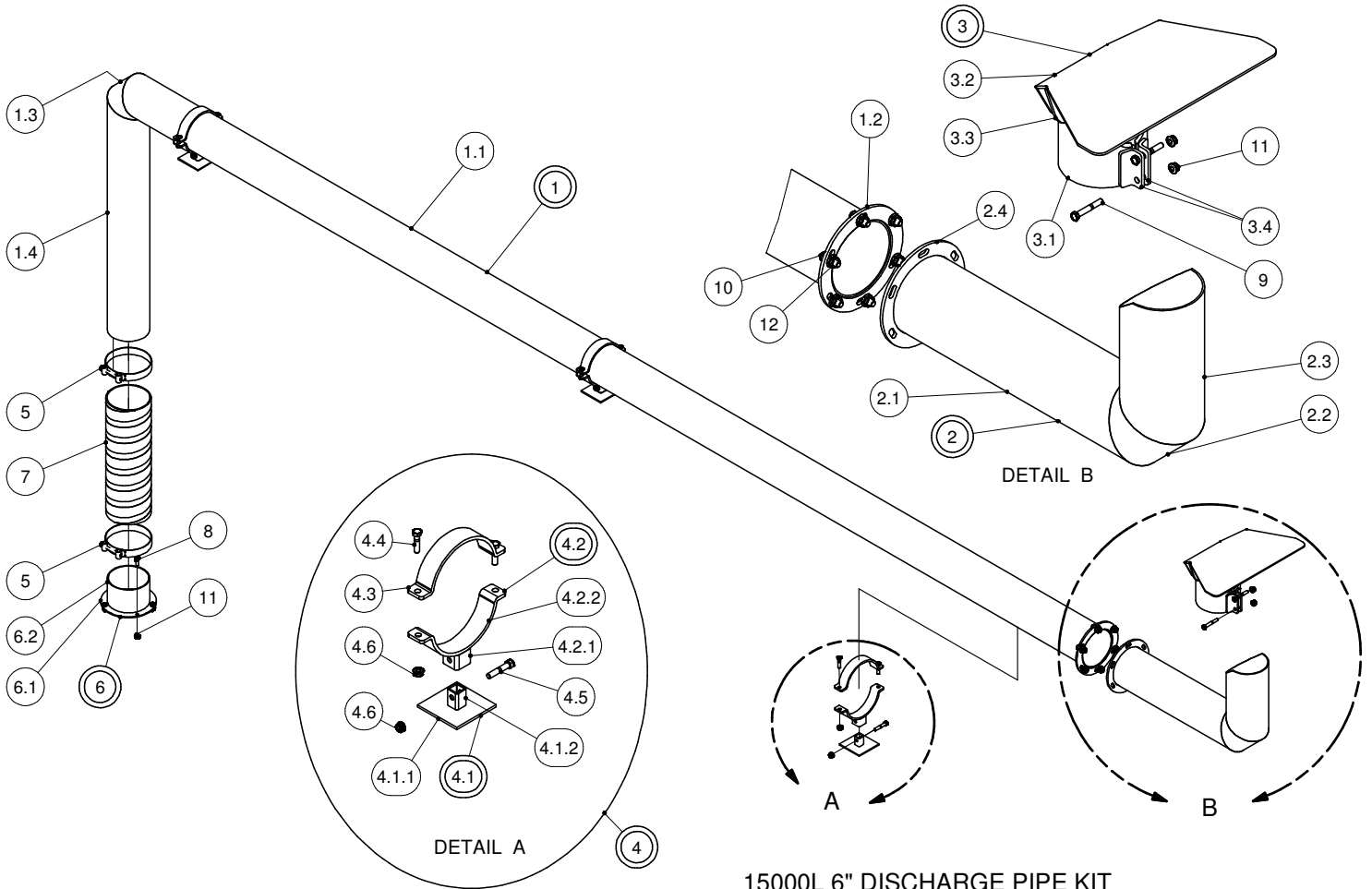
AXLE KIT FOR 21.5 x 22.5 TIRES
OR 18 x 22.5 TIRES
330-91-00-000



12000L THRU 15000L STRAIGHT AXLE KIT

PARTS LIST			
ITEM	PART NUMBER	DESCRIPTION	QTY
1	330-91-44-000	TANDEM SIDE ASSY	2
1.1	330-91-36-000	WALKING BEAM ASSY w/ WELDED SPINDLE	1
1.1.1	325-63-00-245	WALKING BEAM	1
1.1.2	330-91-36-485	16000LB WELD IN SPINDLE	2
1.1.3	330-91-36-486	SPINDLE GUSSET	2
1.1.4	315-33-00-127	OUTER ROCKER SLEEVE	1
1.2	330-91-44-526	GUSSET	4
1.3	325-63-00-246	TANDEM SIDE ARM	2
1.4	325-63-00-244	TANDEM GUSSET	2
1.5	325-63-00-247	INSIDE ROCKER SLEEVE	1
2	330-69-00-000	BASE FRAME ASSY - 21.5 & 22.5 TIRES	1
2.1	330-69-01-000	SILL "Z" PLATE ASSY	2
2.1.1	358-85-00-253	SILL "Z" PLATE	1
2.1.2	330-69-00-550	GUSSET	2
2.2	330-69-22-000	CENTER SLEEVE ASSY	1
2.2.1	330-69-22-262	CENTRE SLEEVE SPACER	1
2.2.2	330-69-22-263	CENTER CHANNEL SPACER	1
2.2.3	330-69-22-264	CENTRE SLEEVE	2
2.3	325-62-18-000	STATIONARY SLEEVE ASSY	2
2.3.1	315-35-00-130	STATIONARY SLEEVE	1
2.3.2	325-62-18-240	LONG CHANNEL SPACER	1
2.3.3	325-62-18-239	LONG BAR SPACER	1
2.4	330-69-00-261	CROSS AXLE SUPPORT	1
2.5	325-62-00-238	COVER PLATE	2
2.6	315-31-00-116	DOUBLE GUSSET	4
3	330-08-00-000	MAIN AXLE TUBE ASSY	1
3.1	330-08-00-527	MAIN AXLE TUBE	1
3.2	330-08-00-528	STOP RING	1
4	340-43-00-000	16000LB DUCTILE TURN DOWN HUB KIT	4
5	315-00-00-137	RETAINING RING	1
6	340-00-00-556	1 13/16 SPINDLE WASHER	4
7	R20092	1 3/4 - 12 UNF SPINDLE NUT	4
8	R07645	1/2-13 UNC x 6 HEX BOLT GR.5	1
9	R07805	1/2 LOCK WASHER - ZINC	1
10	R07785	1/2-13 UNC HEX NUT - ZINC	1
11	R07655	3/4-10 UNC x 2.5 HEX BOLT GR.5	4
12	R07878	3/4-10 UNC NYLOCK NUT - ZINC	4
13	R07827	3/4 FLAT WASHER STD - ZINC	8
14	R20095	5/16 x 4 COTTER PIN - ZINC	4

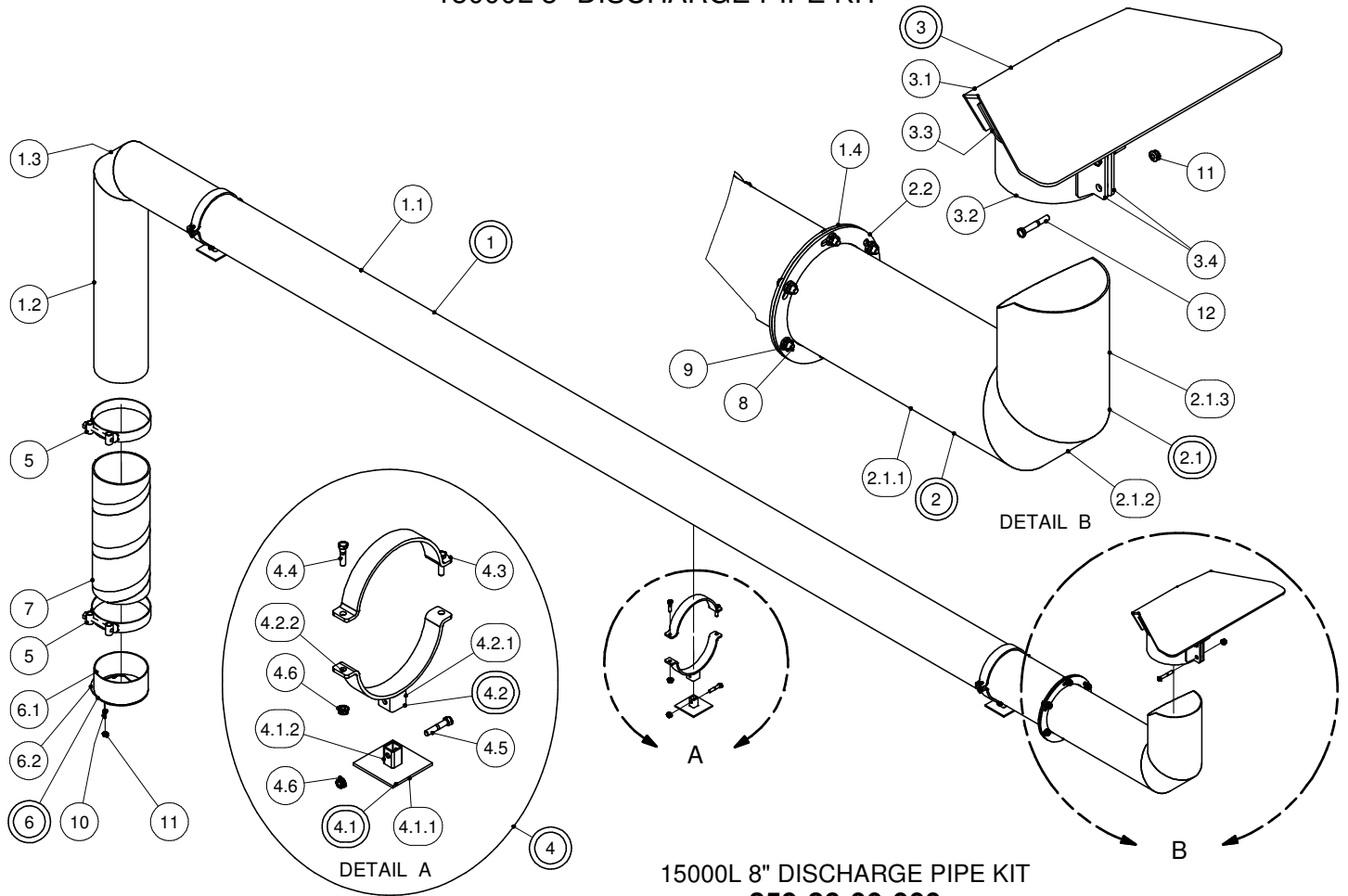
15000L 6" DISCHARGE PIPE KIT



**15000L 6" DISCHARGE PIPE KIT
359-85-00-000**

PARTS LIST				PARTS LIST			
ITEM	PART NUMBER	DESCRIPTION	QTY	ITEM	PART NUMBER	DESCRIPTION	QTY
1	359-30-00-000	6" DISCHARGE PIPE ASSY-15000L	1	4.1.2	357-16-01-131	LOWER STUB	1
1.1	359-30-00-108	DISCHARGE PIPE HORZ. PC	1	4.2	357-16-02-000	PIPE HOLDER ASSY	1
1.2	364-19-00-087	DISCHARGE PIPE FLANGE	1	4.2.1	357-16-02-137	UPPER STUB	1
1.3	364-19-00-082	DISCHARGE PIPE CORNER PC	1	4.2.2	357-16-00-133	TOP PIPE HOLDER - 6"	1
1.4	364-19-00-064	VERTICAL DISCHARGE TUBE	1	4.3	357-16-00-133	TOP PIPE HOLDER - 6"	1
2	364-25-00-000	DISCHARGE PIPE END SECTION ASSY	1	4.4	R07620	3/8-16 UNC x 1.5 HEX BOLT GR.5	2
2.1	364-25-00-088	DISCHARGE PIPE FLANGE PC	1	4.5	R07621	3/8-16 UNC x 2 HEX BOLT GR.5	1
2.2	364-19-00-082	DISCHARGE PIPE CORNER PC	1	4.6	R07794	3/8-16 UNC FLANGE NUT - ZINC	3
2.3	364-25-00-067	DISCHARGE PIPE END PC	1	5	R02482	6" HOSE CLAMP	2
2.4	364-19-00-087	DISCHARGE PIPE FLANGE	1	6	364-31-00-000	HOSE TUBE ASSY - 6"	1
3	364-68-00-000	6" SPLASH PLATE ASSY	1	6.1	364-01-03-376	DISCHARGE RING	1
3.1	364-68-00-215	CLAMPING TUBE	1	6.2	364-01-03-063	DISCHARGE TUBE	1
3.2	364-21-00-069	SPLASH PLATE	1	7	364-00-00-066	HOSE SECTION	1
3.3	364-21-00-224	SPLASH PLATE WING	2	8	R07619	3/8-16 UNC x 1 HEX BOLT GR.5	5
3.4	364-21-00-071	CLAMPING TUBE BRKT	2	9	R07622	3/8-16 UNC x 2.5 HEX BOLT GR.5	2
4	357-16-00-000	6" DISCHARGE PIPE HOLDER KIT	3	10	R07671	7/16-14 UNC x 1.25 HEX BOLT GR.5	6
4.1	357-16-01-000	DISCHARGE PIPE BASE HOLDER ASSY	1	11	R07794	3/8-16 UNC FLANGE NUT - ZINC	7
4.1.1	357-16-01-130	BASE PLATE	1	12	R07879	7/16-14 UNC FLANGE NUT - ZINC	6

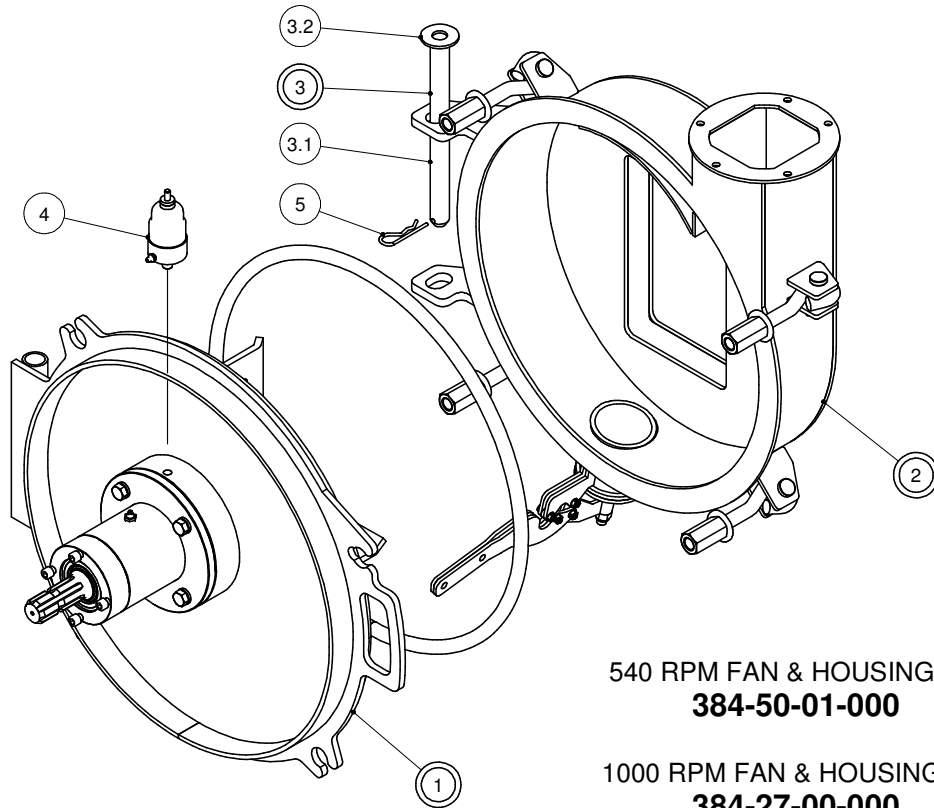
15000L 8" DISCHARGE PIPE KIT



15000L 8" DISCHARGE PIPE KIT
359-86-00-000

PARTS LIST				PARTS LIST			
ITEM	PART NUMBER	DESCRIPTION	QTY	ITEM	PART NUMBER	DESCRIPTION	QTY
1	359-86-01-000	15000L 8" DISCHARGE PIPE ASSY	1	4.1.2	357-16-01-131	LOWER STUB	1
1.1	359-86-01-449	15000L 8" HOR. DISCHARGE PIPE	1	4.2	357-17-01-000	PIPE HOLDER ASSY - 8"	1
1.2	359-16-01-521	15000L 8" VERTICAL TUBE	1	4.2.1	357-16-02-137	UPPER STUB	1
1.3	358-92-02-524	DISCHARGE ELBOW PC	1	4.2.2	357-17-00-135	TOP PIPE HOLDER - 8"	1
1.4	358-92-02-306	8" DISCHARGE FLANGE	1	4.3	357-17-00-135	TOP PIPE HOLDER - 8"	1
2	358-92-03-000	8" EXTENSION PIPE ASSY	1	4.4	R07620	3/8-16 UNC x 1.5 HEX BOLT GR.5	2
2.1	358-92-03-307	8" EXTENSION PIPE	1	4.5	R07621	3/8-16 UNC x 2 HEX BOLT GR.5	1
2.1.1	358-92-03-307-C	8" EXTENSION PIPE - HORIZONTAL PC	1	4.6	R07794	3/8-16 UNC FLANGE NUT - ZINC	3
2.1.2	358-92-03-307-B	8" EXTENSION PIPE CORNER PC	1	5	R02484	8" SUCTION HOSE CLAMP	2
2.1.3	358-92-03-307-A	8" EXTENSION TUBE END PC	1	6	358-92-01-000	8" HOUSING RING & TUBE ASSY	1
2.2	358-92-02-306	8" DISCHARGE FLANGE	1	6.1	358-92-01-302	8" HOUSING OUTLET TUBE	1
3	358-92-04-000	8" SPLASH PLATE ASSY	1	6.2	358-92-01-301	8" HOUSING DISCHARGE RING	1
3.1	358-92-04-308	8" SPLASH PLATE	1	7	358-92-00-329	8" DISCHARGE HOSE	1
3.2	358-92-04-309	8" SPLASH PLATE TUBE	1	8	R07671	7/16-14 UNC x 1.25 HEX BOLT GR.5	6
3.3	358-92-04-310	WING FOR 8" SPLASH PLATE	2	9	R07879	7/16-14 UNC FLANGE NUT - ZINC	6
3.4	358-92-04-311	CLAMPING TUBE BRKT	2	10	R07619	3/8-16 UNC x 1 HEX BOLT GR.5	5
4	357-17-00-000	8" DISCHARGE PIPE HOLDER KIT	3	11	R07794	3/8-16 UNC FLANGE NUT - ZINC	7
4.1	357-16-01-000	DISCHARGE PIPE BASE HOLDER ASSY	1	12	R07622	3/8-16 UNC x 2.5 HEX BOLT GR.5	5
4.1.1	357-16-01-130	BASE PLATE	1				

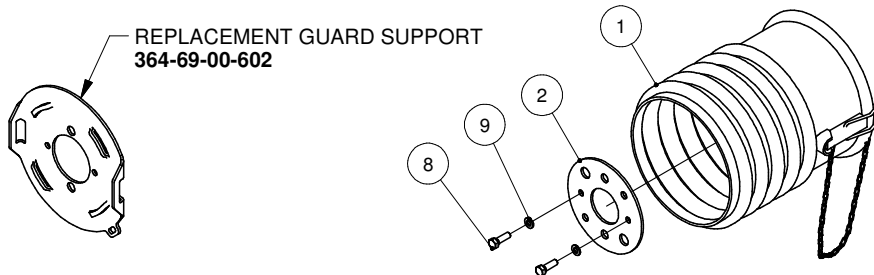
FAN & HOUSING COMPLETE-TAPERED SHAFT



540 RPM FAN & HOUSING KIT
384-50-01-000

1000 RPM FAN & HOUSING KIT
384-27-00-000

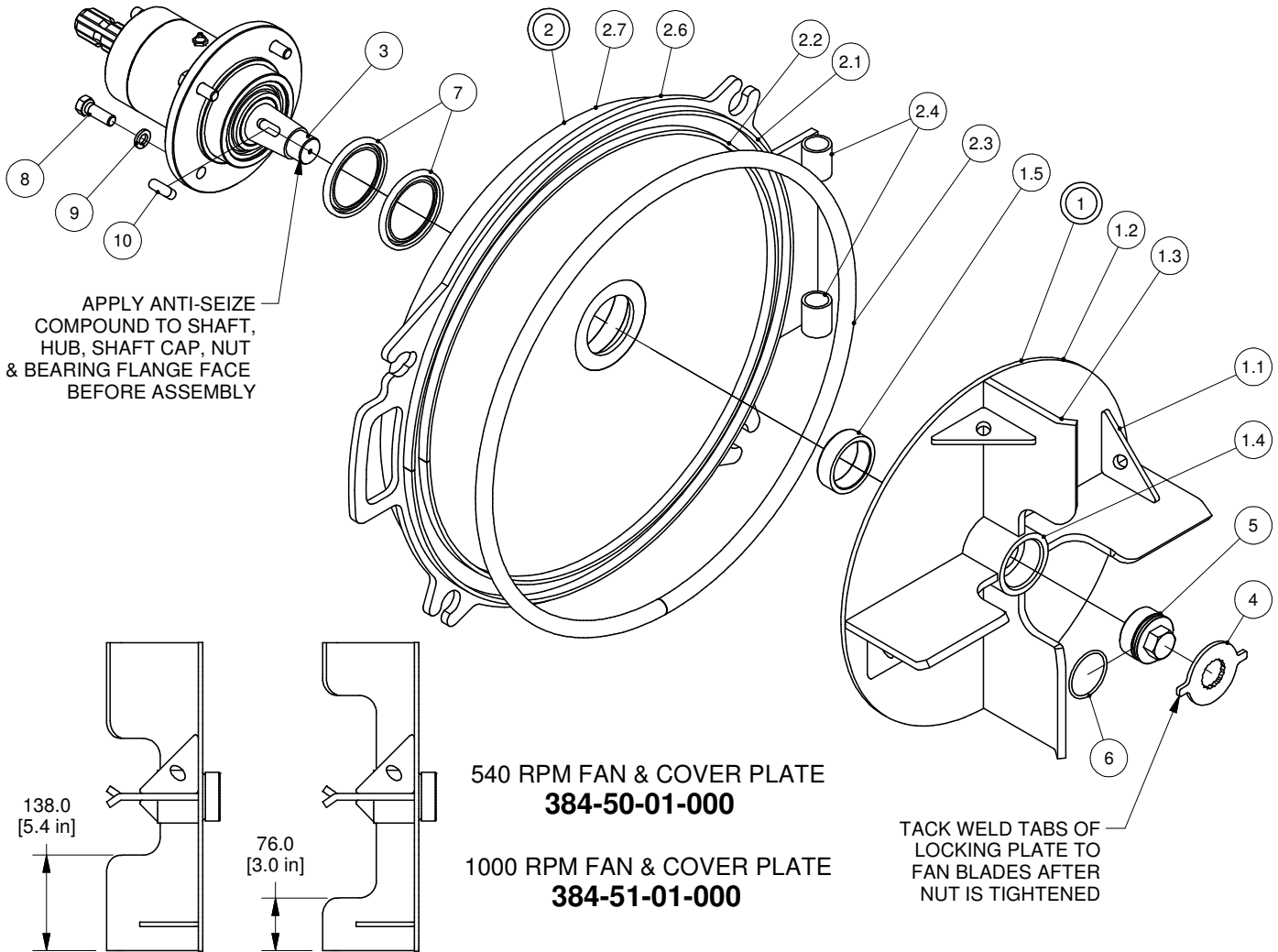
PARTS LIST				PARTS LIST			
ITEM	PART NUMBER	DESCRIPTION	QTY	ITEM	PART NUMBER	DESCRIPTION	QTY
1	384-50-01-000	540 RPM FAN & COVER PLATE -TAPERED SHAFT	1	3	376-02-04-000	LID PIN ASSY	1
	384-27-00-000	1000 RPM FAN & COVER PLATE -TAPERED SHAFT	1	3.1	376-02-04-508	LID PIN	1
				3.2	R07827	3/4 FLAT WASHER STD - ZINC	1
				4	R10595	SPRING PRESSURE AUTO GREASE CUP	1
2	384-20-01-000	HOUSING ASSY-CHT(2007)	1	5	R07948	5/32 HAIR PIN	1
				6	R08368	3/8-16 UNC x 2.25 SHCS - BLK	2



PLASTIC PTO GUARD KIT
364-69-00-000

PARTS LIST				PARTS LIST			
ITEM	PART NUMBER	DESCRIPTION	QTY	ITEM	PART NUMBER	DESCRIPTION	QTY
1	R22196	SHEILD CONE ASSY	1	8	R07611	5/16-18 UNC x 1 HEX BOLT GR.5	2
2	364-00-00-448	PTO GUARD SUPPORT	1	9	R07802	5/16 LOCK WASHER - ZINC	2

COVER PLATE-TAPERED SHAFT

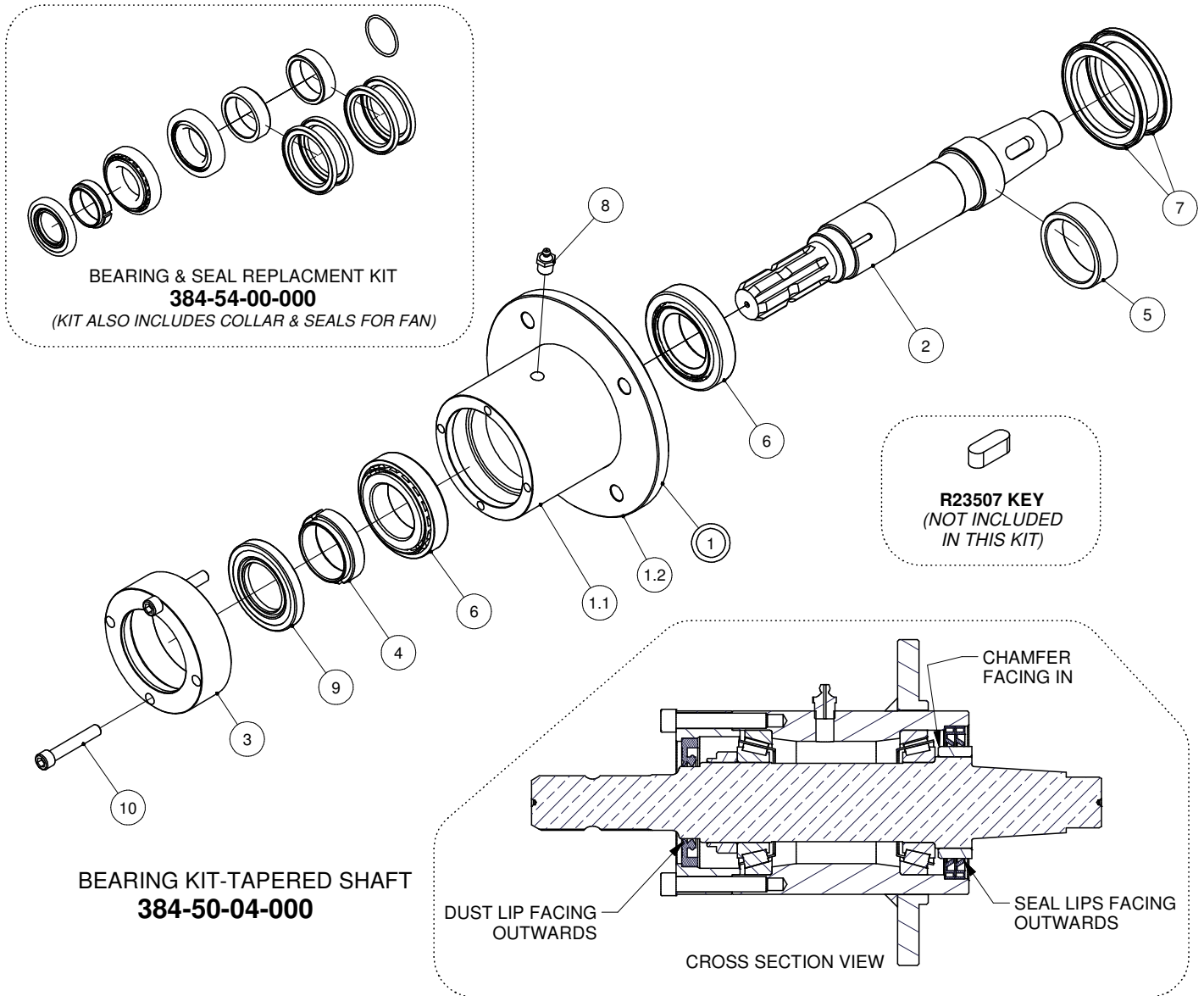


540 RPM FAN & COVER PLATE
384-50-01-000
 1000 RPM FAN & COVER PLATE
384-51-01-000

- NOTES:**
- ALWAYS GREASE SEALS AND SHAFT COLLAR BEFORE INSTALLATION
 - ENSURE SEAL LIPS DO NOT "FOLD OVER" DURING ASSEMBLY

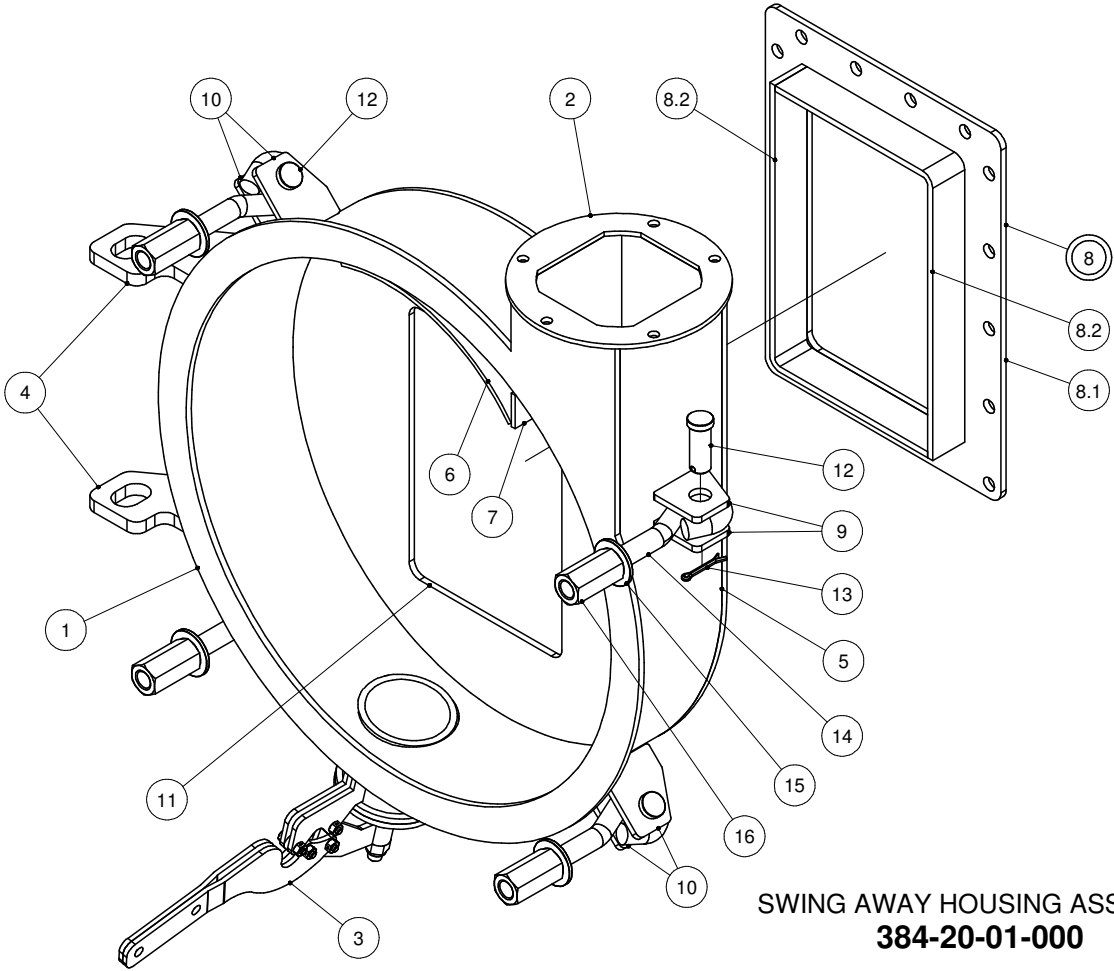
PARTS LIST				PARTS LIST			
ITEM	PART NUMBER	DESCRIPTION	QTY	ITEM	PART NUMBER	DESCRIPTION	QTY
1	384-50-02-000	TAPERED HUB FAN ASSY - 540 RPM CHT	1	2.5	384-50-03-642	MOTOR & BEARING BOX MOUNT	1
	384-51-02-000	TAPERED HUB FAN ASSY-1000 RPM CHT	1	2.6	384-50-03-641	COVER PLATE-TAPERED SHAFT	1
1.1	364-72-00-422	FAN BLADE GUSSET	4	2.7	384-27-02-534	REIN. RING-1000 RPM COVER PLATE	1
1.2	384-33-03-417	FAN BACK PLATE	1	3	384-50-04-000	BEARING KIT 1-3/8"-6T - TAPERED SHAFT	1
1.3	384-33-03-419	CHT 540 RPM FAN BLADE	4	4	384-50-01-647	TAPERED HUB LOCKING PLATE	1
1.4	384-50-02-639	TAPERED IMPELLER HUB	1	5	384-50-01-648	TAPERED SHAFT CAP NUT	1
1.5	R23443	HARDENED SEAL COLLAR - 2.75" OD	1	6	R23444	O-RING #226 - 2.25" OD x 2" ID	1
2	384-50-03-000	COVER PLATE ASSY - TAPERED SHAFT	1	7	R23441	GREASE SEAL HM21 - 2.750" x 3.751" x .25"	2
2.1	384-20-03-295	OUTER RING	1	8	R07638	1/2-13 UNC x 1.5 HEX BOLT GR.5	4
2.2	384-20-03-296	INNER RING	1	9	R07805	1/2 LOCK WASHER - ZINC	4
2.3	384-20-00-301	RUBBER SEAL	1	10	R23507	MACHINE KEY - 7/16" SQ x 1-1/4"	1
2.4	384-20-03-570	HATCH PIN SLEEVE	2				

BEARING KIT-TAPERED SHAFT



PARTS LIST			
ITEM	PART NUMBER	DESCRIPTION	QTY
1	384-50-05-000	BEARING TUBE ASSY-TAPERED SHAFT	1
1.1	384-50-05-643	TAPERED SHAFT BEARING TUBE	1
1.2	384-50-05-644	BEARING TUBE FLANGE	1
2	384-50-04-637	TAPERED FAN SHAFT - 1-3/8"-6T	1
3	384-50-04-645	TAPERED SHAFT BEARING TUBE CAP	1
4	384-50-04-646	STAKE NUT - M50-1.5	1
5	R23443	HARDENED SEAL COLLAR - 2.75" OD	1
6	R23429	TAPERED ROLLER BEARING - 50 x 90 x 21.75	2
7	R23441	GREASE SEAL HM21 - 2.750" x 3.751" x .25"	2
8	R08188	1/4" NPT STRAIGHT GREASE FTG	1
9	R23442	SEAL D.L. - 45 x 80 x 10 HMSA10 RG	1
10	R08368	3/8-16 UNC x 2.25 SHCS - BLK	2

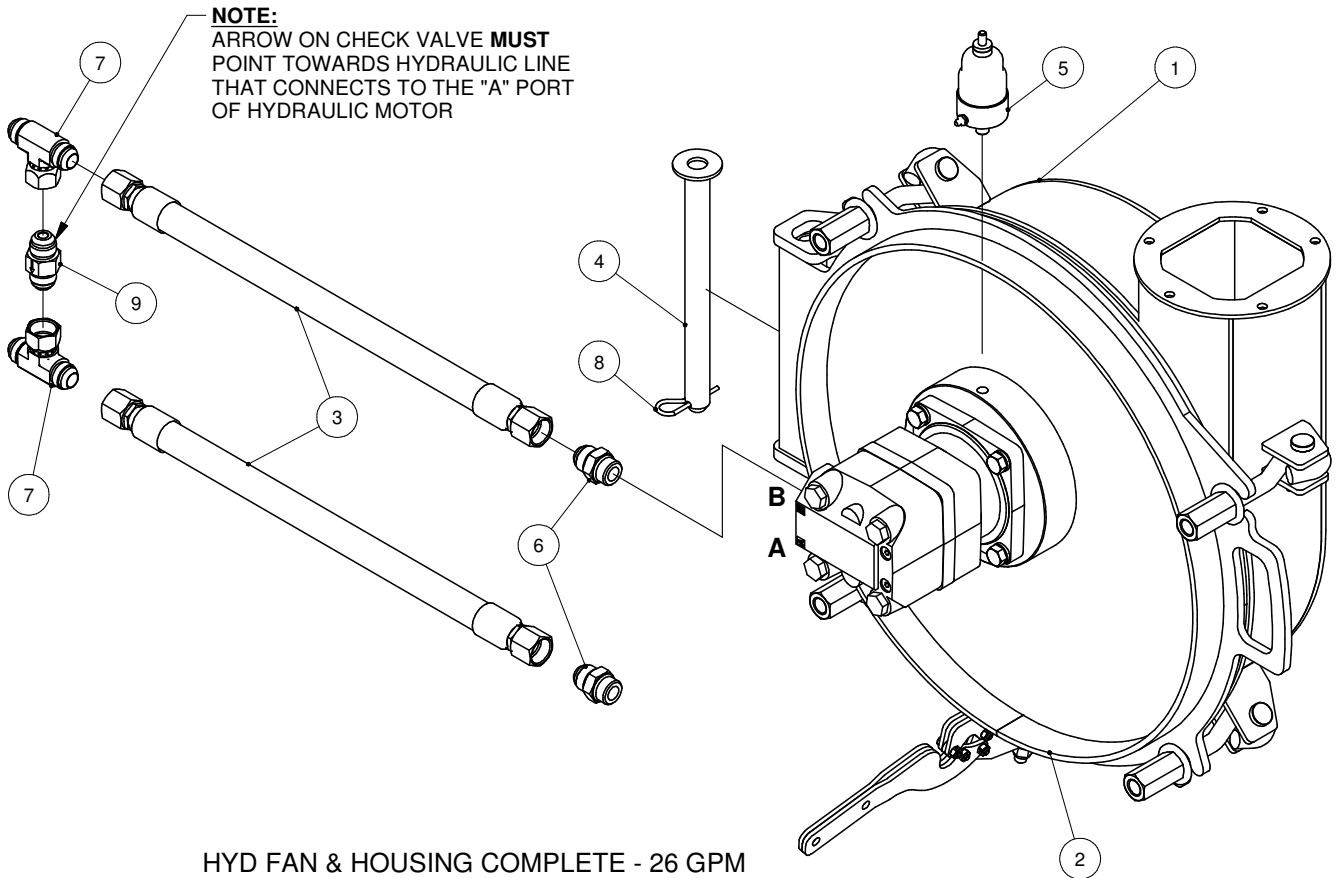
SWING AWAY HOUSING ASSY-CHT



**SWING AWAY HOUSING ASSY-CHT
384-20-01-000**

PARTS LIST			
ITEM	PART NUMBER	DESCRIPTION	QTY
1	384-20-01-289	HOUSING FLANGE	1
2	364-01-03-376	DISCHARGE RING	1
3	364-62-00-000	DRAIN PLUG KIT	1
4	384-20-01-290	DOOR HINGE	2
5	357-48-01-232	CHT HOUSING BAND	1
6	357-48-01-231	CHT HOUSING BAND AID	1
7	357-48-01-230	CHT FAN HOUSING VERTICAL PC	1
8	357-48-02-000	CHT HOUSING INLET FLANGE ASSY	1
8.1	364-81-02-393	HOUSING FLANGE	1
8.2	357-48-02-233	CHT INLET EXTENSION	2
9	384-20-01-424	SHORT HOUSING LUG	2
10	384-20-01-423	HOUSING LUG	6
11	357-48-01-228	CHT HOUSING BACK PLATE	1
12	R08443	EYE BOLT PIN	4
13	R08207	5/32 x 1 1/2 COTTER PIN - SS	4
14	R08442	3/4" EYE BOLT	4
15	376-02-00-577	MANWAY WASHER	4
16	R07800	3/4-10 UNC COUPLING NUT - ZINC	4

HYD FAN & HOUSING COMPLETE -TAPERED SHAFT 26 GPM

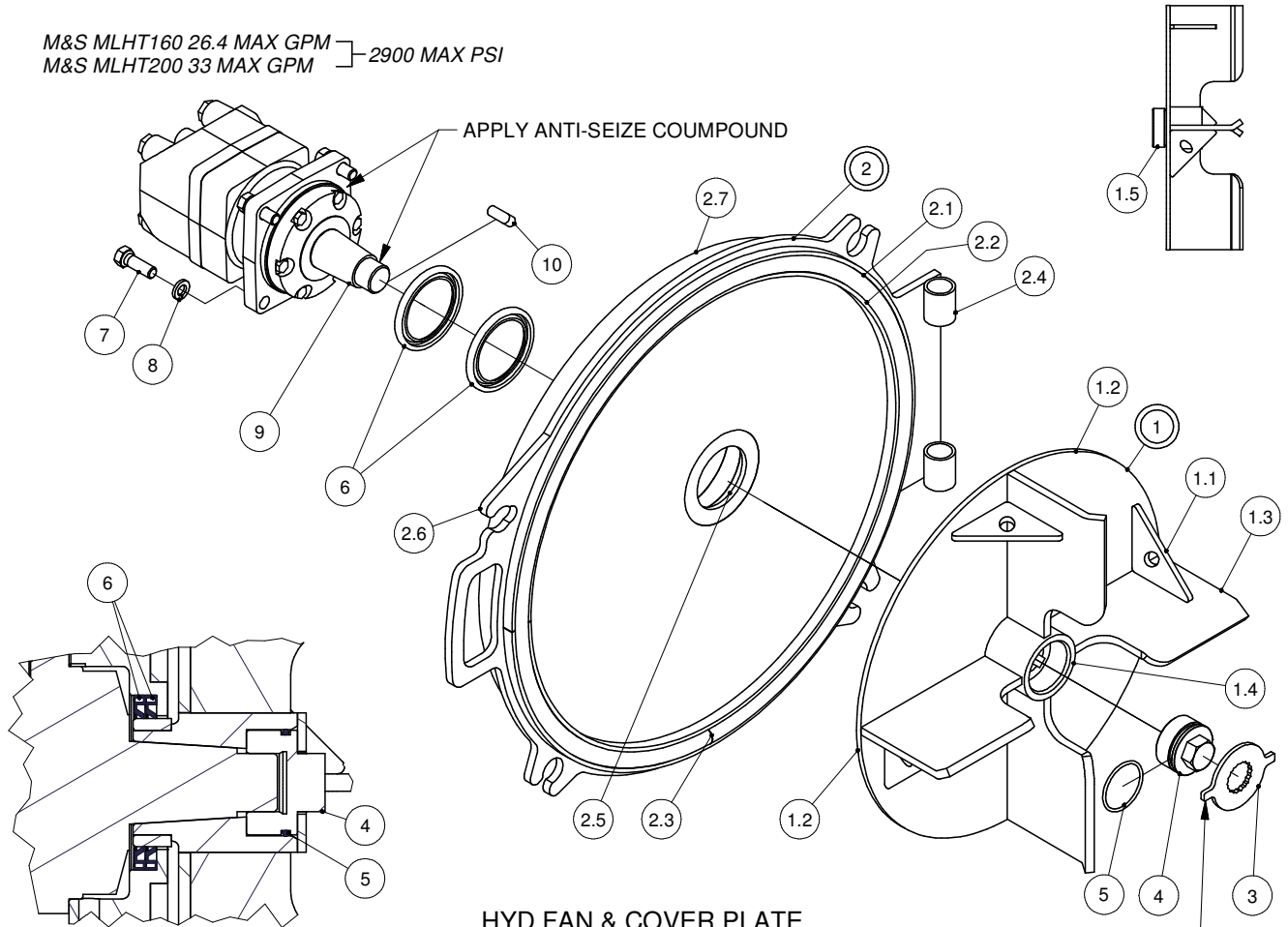


R23512
REPLACEMENT SEAL KIT FOR MLHT160T4A
HYD MOTOR w/ TAPERED SHAFT

PARTS LIST			
ITEM	PART NUMBER	DESCRIPTION	QTY
1	384-20-01-000	HOUSING ASSY-CHT(2007)	1
2	384-52-01-000	HYD FAN & COVER PLATE-TAPERED SHAFT-26 GPM	1
3	384-35-03-000	3/4" HYDRAULIC HOSE ASSY	2
4	376-02-04-000	LID PIN ASSY	1
5	R10595	SPRING PRESSURE AUTO GREASE CUP	1
6	R23098	ORB-12 x 3/4" JIC M. ADAPTOR	2
7	R23122	3/4" M. x 3/4" M. x 3/4" SW F. JIC TEE	2
8	R07948	5/32 HAIR PIN	1
9	R23447	3/4" M. JIC CHECK VALVE	1

HYD FAN & COVER PLATE-TAPERED SHAFT

M&S MLHT160 26.4 MAX GPM } 2900 MAX PSI
 M&S MLHT200 33 MAX GPM }



SEAL DETAIL
 SEAL LIP MUST FACE
 AWAY FROM HYD MOTOR

HYD FAN & COVER PLATE
384-52-01-000 - 26 GPM

HYD FAN & COVER PLATE
384-55-01-000 - 33 GPM

TACK WELD TABS
 OF LOCKING PLATE
 TO FAN BLADES AFTER
 NUT HAS BEEN TIGHTENED

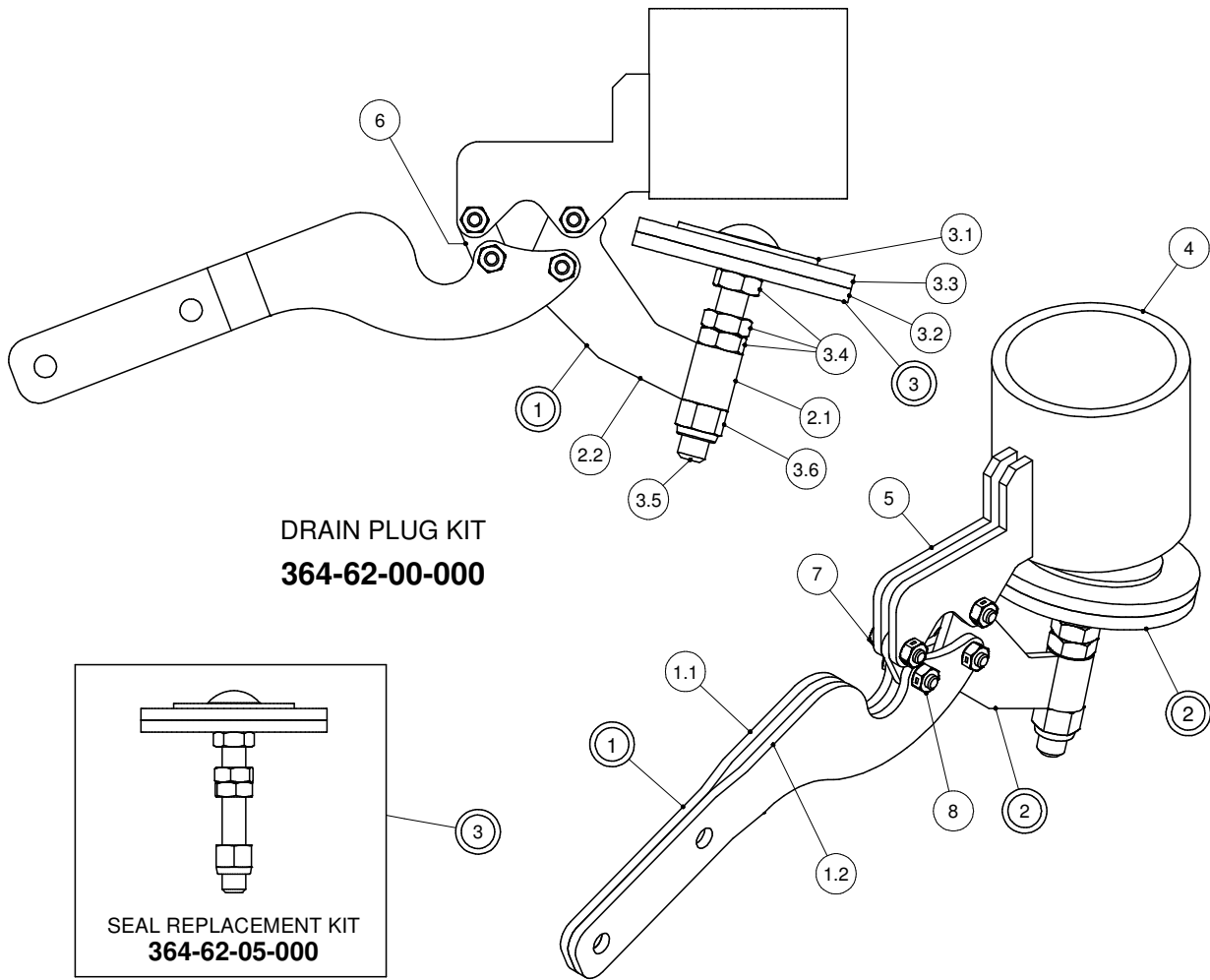
R23512
 REPLACEMENT SEAL KIT FOR MLHT160/200T4A
 HYD MOTOR W/ TAPERED SHAFT

NOTES:

- ALWAYS GREASE SEALS AND SHAFT COLLAR BEFORE INSTALLATION
- ENSURE SEAL LIPS DO NOT "FOLD OVER" DURING ASSEMBLY

PARTS LIST				PARTS LIST			
ITEM	PART NUMBER	DESCRIPTION	QTY	ITEM	PART NUMBER	DESCRIPTION	QTY
1	384-50-02-000	TAPERED HUB FAN ASSY - 540 RPM CHT	1	2.7	384-27-02-534	REIN. RING-1000 RPM COVER PLATE	1
1.1	364-72-00-422	FAN BLADE GUSSET	4	3	384-50-01-647	TAPERED HUB LOCKING PLATE	1
1.2	384-33-03-417	FAN BACK PLATE	1	4	384-50-01-648	TAPERED SHAFT CAP NUT	1
1.3	384-33-03-419	CHT 540 RPM FAN BLADE	4	5	R23444	O-RING #226 - 2.25" OD x 2" ID	1
1.4	384-50-02-639	TAPERED IMPELLER HUB	1	6	R23441	GREASE SEAL HM21 - 2.750" x 3.751" x .25"	2
1.5	R23443	HARDENED SEAL COLLAR - 2.75" OD	1	7	R07638	1/2-13 UNC x 1.5 HEX BOLT GR.5	4
2	384-50-03-000	COVER PLATE ASSY - TAPERED SHAFT	1	8	R07805	1/2 LOCK WASHER - ZINC	4
2.1	384-20-03-295	OUTER RING	1	9	R23506	M+S HYD MOTOR-MLHT160 TAPERED SHAFT-26 GPM	1
2.2	384-20-03-296	INNER RING	1		R22590	M+S HYD MOTOR-MLHT200 TAPERED SHAFT-33 GPM	1
2.3	384-20-00-301	RUBBER SEAL	1				
2.4	384-20-03-570	HATCH PIN SLEEVE	2				
2.5	384-50-03-642	MOTOR & BEARING BOX MOUNT	1	10	R23507	MACHINE KEY - 7/16" SQ x 1-1/4"	1
2.6	384-50-03-641	COVER PLATE-TAPERED SHAFT	1				

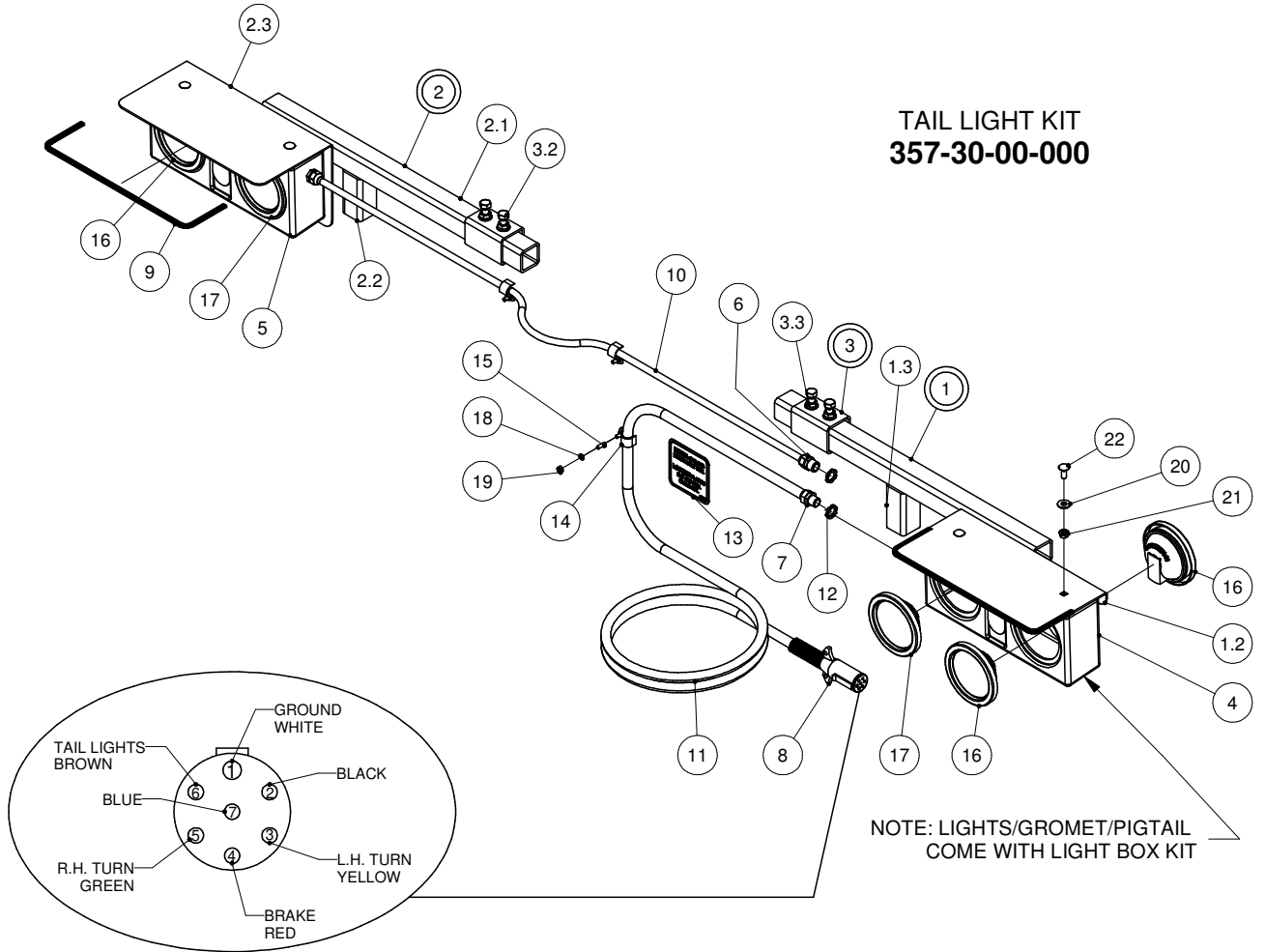
DRAIN PLUG KIT



PARTS LIST

ITEM	PART NUMBER	DESCRIPTION	QTY
1	364-62-03-000	HANDLE ASSY	1
1.1	364-62-03-206	LH HANDLE	1
1.2	364-62-03-207	RH HANDLE	1
2	364-62-01-000	DRAIN PLUG SLEEVE ASSY	1
2.1	364-62-01-201	SLEEVE	1
2.2	364-62-01-200	SLEEVE LINKAGE	1
3	364-62-05-000	DRAIN PLUG REPLACEMENT KIT	1
3.1	364-62-04-370	PLUG WASHER	1
3.2	364-62-02-203	PLUG PLATE	1
3.3	R03071	DRAIN PLUG GASKET	1
3.4	R08046	1/2-13 UNC HEX JAM NUT - ZINC	3
3.5	R07748	1/2-13 UNC x 4 FULL THREAD CARRIAGE BOLT Gr.5	1
3.6	R08219	1/2-13 UNC NYLOCK NUT - ZINC	1
4	364-01-03-110	DRAIN PIPE	1
5	364-62-00-199	PLUG HOUSING BRKT	2
6	364-62-00-205	SHORT LINKAGE	1
7	R07176	1/4-20 UNC x 0.875 SHOULDER HEX BOLT GR.5	4
8	R08048	1/4-20 UNC 2-WAY LOCK NUT - ZINC	4

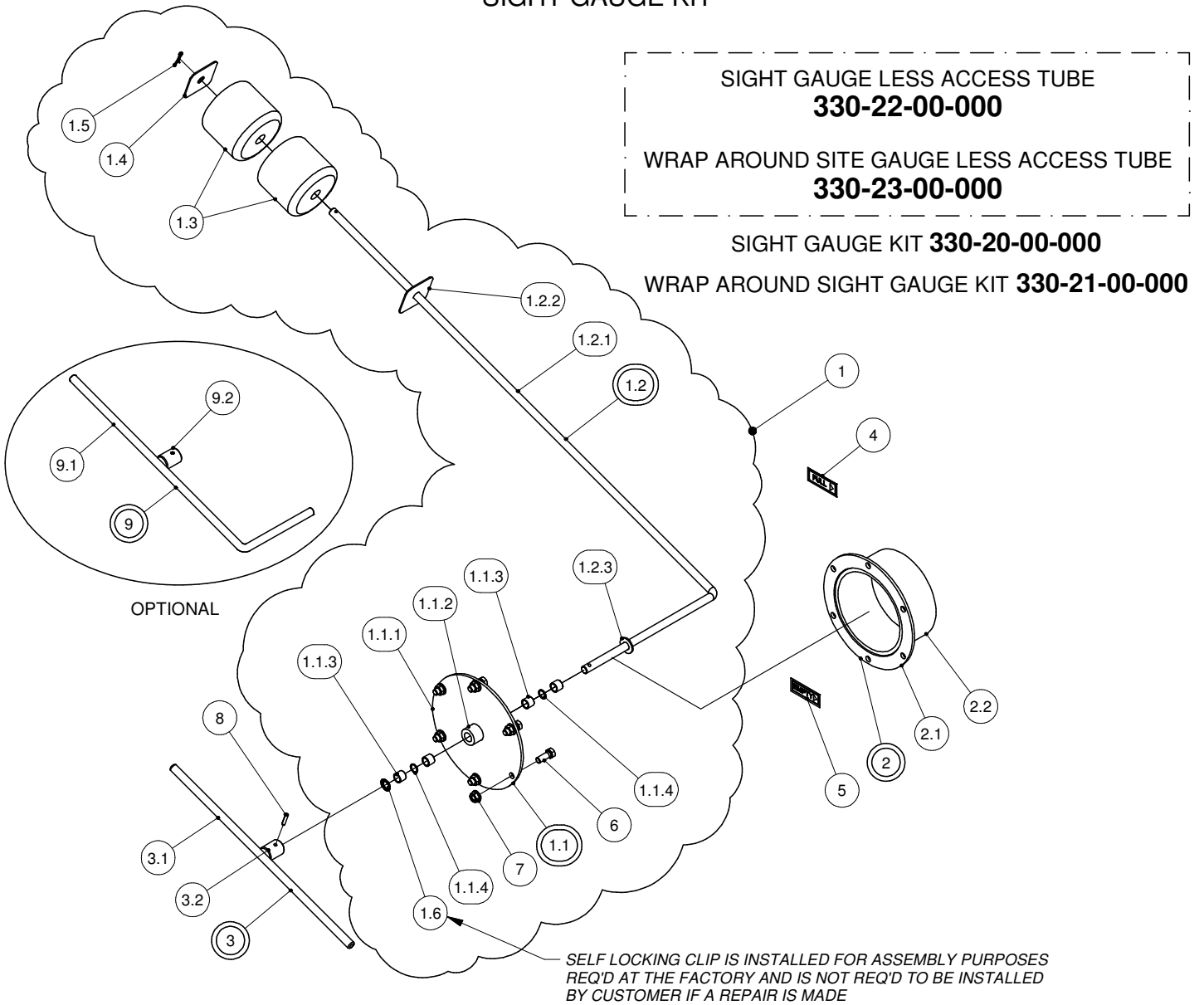
TAIL LIGHT KIT



WIRING DIAGRAM
FOR 7 POLE CONNECTOR

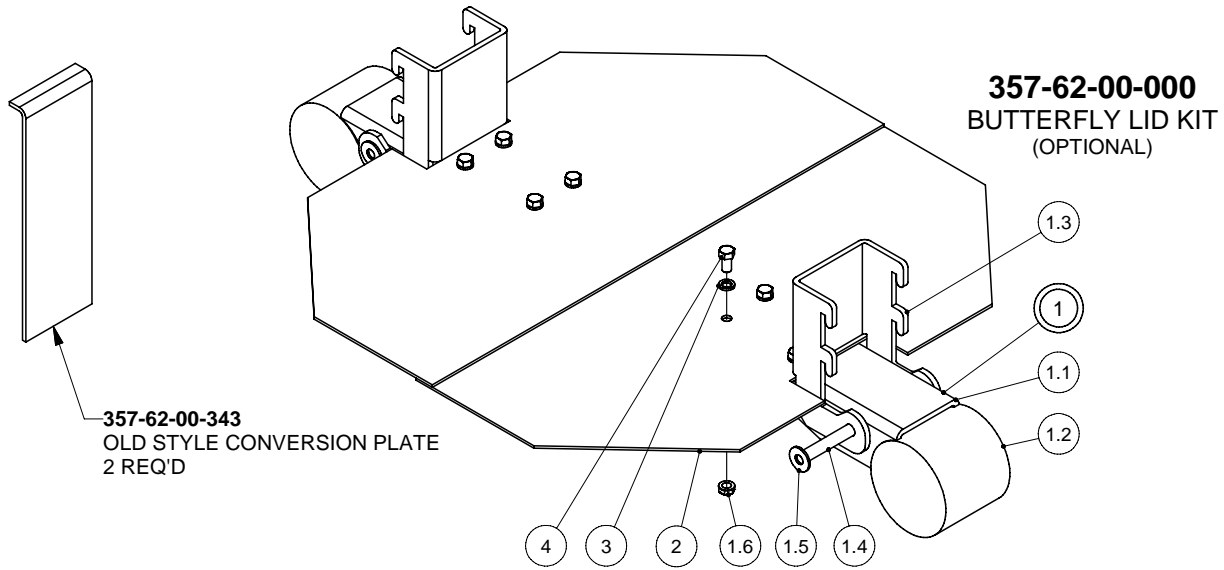
PARTS LIST				PARTS LIST			
ITEM	PART NUMBER	DESCRIPTION	QTY	ITEM	PART NUMBER	DESCRIPTION	QTY
1	357-30-01-000	RH LIGHT BAR ASSY	1	8	R10095	7 POLE CONNECTOR w/ STRAIN RELIEF	1
1.1	357-30-01-171	LIGHT BAR	1				
1.2	357-30-01-172	RH LITE BOLT PLATE	1	9	357-30-00-311	SAFETY EDGING	2
1.3	357-30-01-173	STUB BAR	1	10	R04046	4-WIRE TRAILER CABLE - APPROX. 4M	1
2	357-30-02-000	LH LIGHT BAR ASSY	1	11	R04235	14/6 TRAILER CABLE - APPROX. 10.5M	1
2.1	357-30-01-171	LIGHT BAR	1	12	R10345	1/2" ELECTRICAL BOX LOCK NUT	3
2.2	357-30-01-173	STUB BAR	1	13	R09808	CABLE - LIGHT BOX DECAL	1
2.3	357-30-02-245	LH LITE BOLT PLATE	1	14	R21104	HYD. HOSE CLIPS	11
3	357-30-03-000	MOUNT BRKT ASSY	2	15	R08329	1/4-20 UNC x 3/4" WELD STUD	12
3.1	357-30-03-174	MOUNT BRKT	1	16	R10588	4" YELLOW LED LIGHT KIT	4
3.2	R07674	1/2-13 UNC x 1.25 HEX BOLT GR.5	2	17	R10358	4" RED LED LIGHT KIT	2
3.3	R07795	1/2-13 UNC FLANGE NUT - ZINC	2	18	R07801	1/4 LOCK WASHER - ZINC	11
4	R10349	RH LAMP BOX W/NO LIGHTS	1	19	R07781	1/4-20 UNC HEX NUT - ZINC	11
5	R10348	LH LAMP BOX W/ NO LIGHTS	1	20	R07823	3/8 FLAT WASHER STD - ZINC	4
6	R10193	1/2" NYLON TITE CONNECTOR	2	21	R07794	3/8-16 UNC FLANGE NUT - ZINC	4
7	R10357	3/4" NYLON TITE CONNECTOR	1	22	R07721	3/8-16 UNC x 1 CARRIAGE BOLT Gr.5	4

SIGHT GAUGE KIT



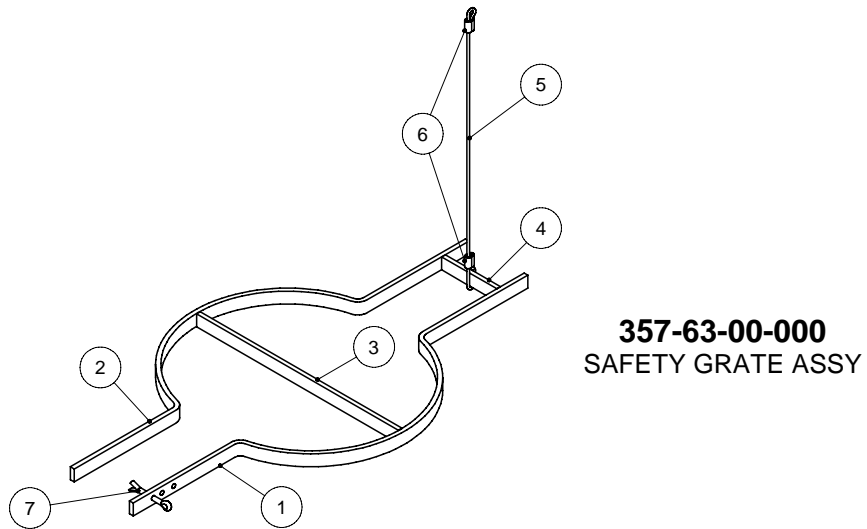
PARTS LIST				PARTS LIST			
ITEM	PART NUMBER	DESCRIPTION	QTY	ITEM	PART NUMBER	DESCRIPTION	QTY
1	330-22-01-000	SIGHT GAUGE w/o INDICATOR	1	2	330-20-03-000	ACCESS TUBE ASSY	1
1.1	330-20-04-000	COVER PLATE ASSY	1	2.1	330-20-03-560	ACCESS TUBE FLANGE	1
1.1.1	330-20-00-557	COVER PLATE	1	2.2	330-20-03-556	ACCESS TUBE	1
1.1.2	330-20-04-562	BUSHING HOLDER	1	3	330-20-02-000	INDICATOR ARM ASSY	1
1.1.3	R21173	1/2 x 5/8 x 1/2" BRONZE BUSHING	4	3.1	330-20-02-554	INDICATOR ARM	1
1.1.4	R20865	O-RING #11-014	2	3.2	330-20-02-553	INDICATOR ARM HUB	1
1.2	330-20-01-000	FLOAT ARM ASSY	1	4	R09529	"FULL" DECAL	1
1.2.1	330-20-01-551	FLOAT ARM	1	5	R09530	"EMPTY" DECAL	1
1.2.2	330-20-01-552	FLOAT STRAPS	1	6	R07619	3/8-16 UNC x 1 HEX BOLT GR.5	6
1.2.3	R08222	1/2 FLAT WASHER SAE - SS	1	7	R07794	3/8-16 UNC FLANGE NUT - ZINC	6
1.3	R09524	FLOAT	2	8	R08241	3/16 x 1 ROLL PIN - SS	1
1.4	330-20-01-552	FLOAT STRAPS	1	9	330-21-01-000	WRAP AROUND SITE ARM ASSY	1
1.5	R08021	1/8 x 1 S.S. COTTER PIN	1	9.1	330-19-46-546	WRAP AROUND SITE ARM	1
1.6	R08514	1/2" EXT. RETAINING RING	1	9.2	330-20-02-553	INDICATOR ARM HUB	1

BUTTERFLY LID & SAFETY GRATE



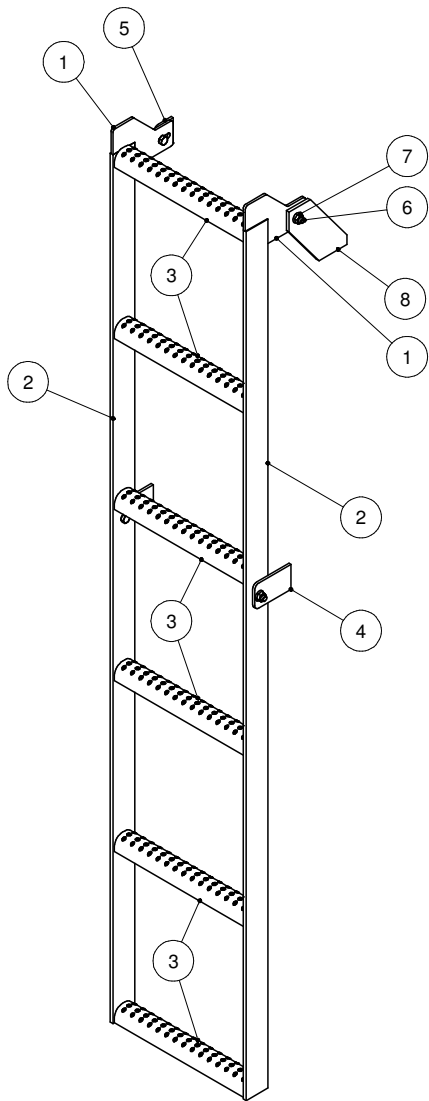
NOTE: WITH INSTALLATION OF A BUTTERFLY LID, A SAFETY GRATE MUST BE USED TO LOCK LID IN PLACE

PARTS LIST				PARTS LIST			
ITEM	PART NUMBER	DESCRIPTION	QTY	ITEM	PART NUMBER	DESCRIPTION	QTY
1	357-62-01-000	BUTTERFLY HINGE KIT	2	1.5	R07824	7/16 FLAT WASHER	2
1.1	357-62-01-316	U - CHANNEL HINGE	1	1.6	R07794	3/8 FLANGE NUT	4
1.2	357-62-01-317	COUNTER WEIGHT	1	2	357-62-00-318	BUTTERFLY LID	2
1.3	357-62-01-319	DROP-IN HINGE	1	3	R08319	3/8 S.S. LOCK WASHER	8
1.4	357-62-01-315	HINGE PIN	1	4	R08317	3/8 x 3/4 S.S. HEX BOLT	8

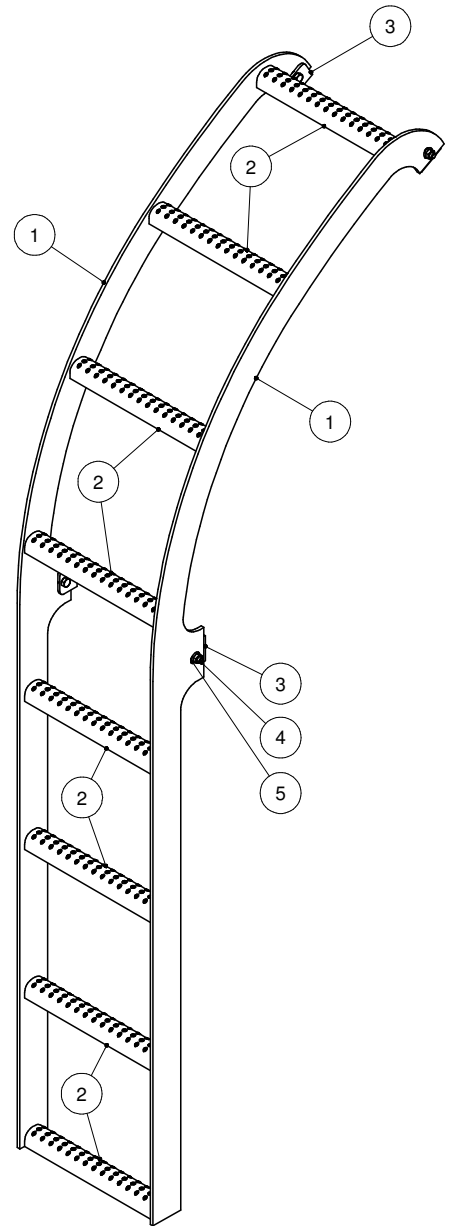


PARTS LIST			
ITEM	PART NUMBER	DESCRIPTION	QTY
1	357-63-00-320	SAFETY BAR w/ HOLE	1
2	357-63-00-332	SAFETY BAR	1
3	357-63-00-321	CROSS SAFETY BAR	1
4	357-63-00-322	STOP BAR	1
5	357-63-00-331	SAFETY CABLE	1
6	R08068	1/8" ALUMINUM CRIMP SLEEVES	2
7	R08016	1/4 x 2 COTTER PIN	1

LADDER KIT



LADDER KIT
364-95-00-000

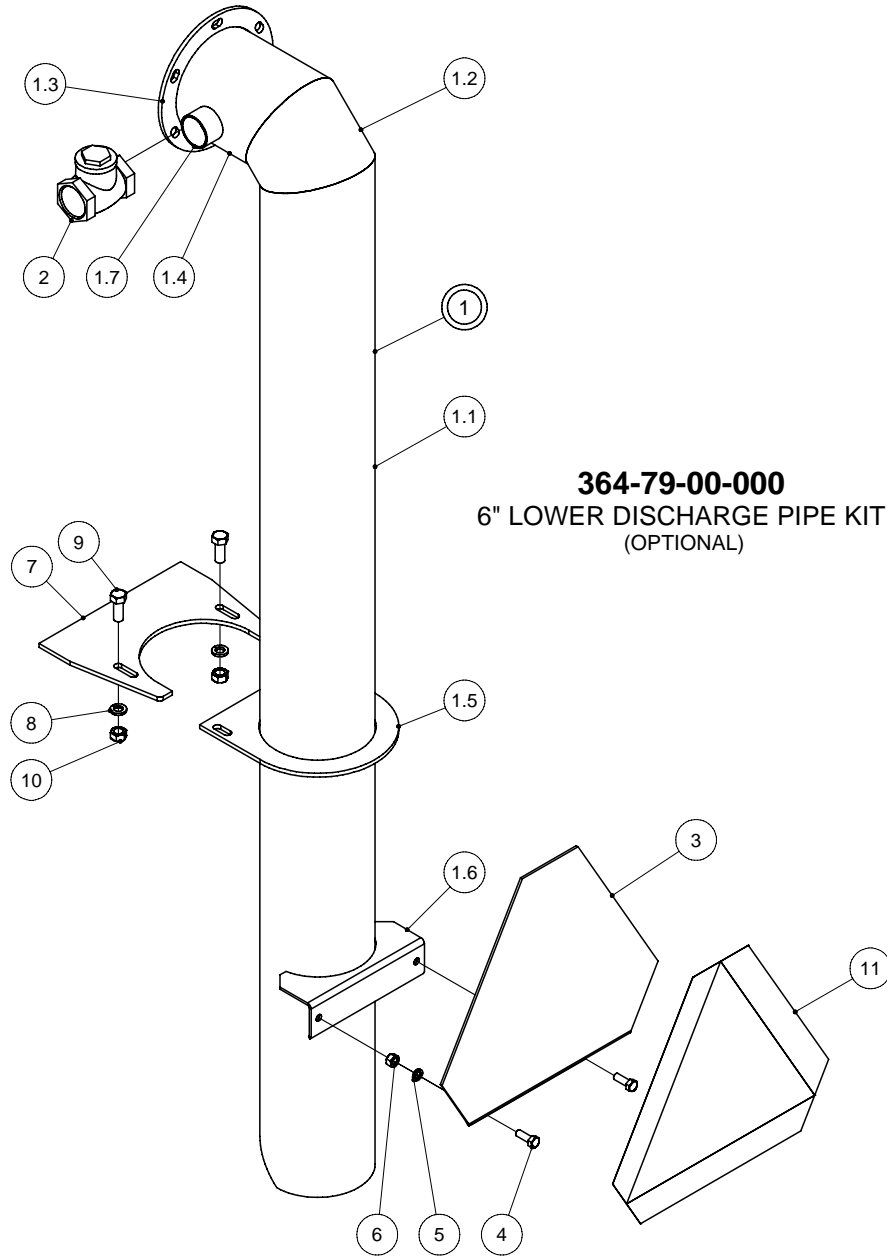


SIDE LADDER KIT
15000L PROFILE
385-39-00-000

PARTS LIST			
ITEM	PART NUMBER	DESCRIPTION	QTY
1	364-95-00-326	LADDER LUG	2
2	364-95-00-325	LADDER SIDE PC	2
3	364-95-00-324	LADDER RUNG	6
4	364-00-00-414	TANK LUG	2
5	364-95-00-327	UPPER TANK LUG	2
6	R07619	3/8-16 UNC x 1 HEX BOLT GR.5	4
7	R07794	3/8-16 UNC FLANGE NUT - ZINC	4
8	384-00-00-216	LADDER BRKT	1

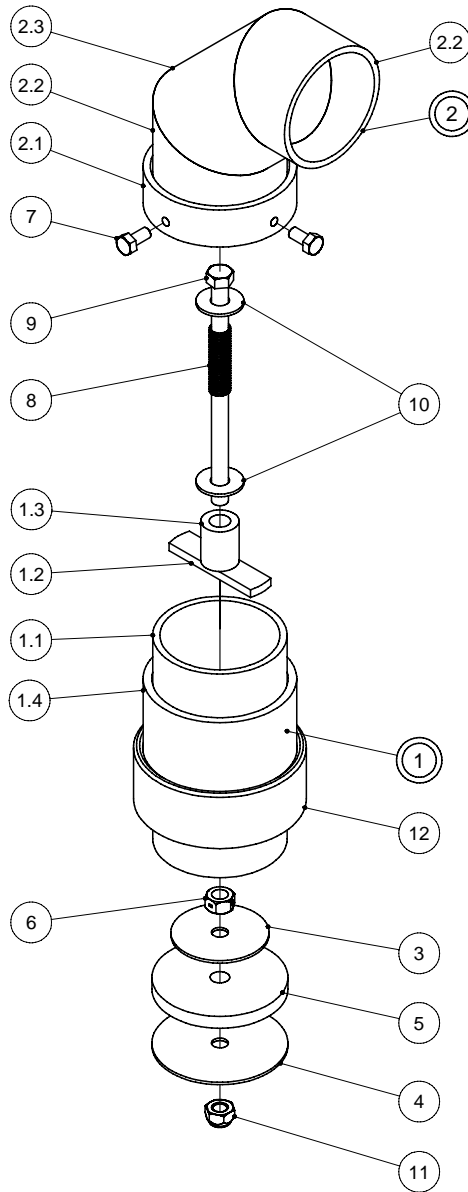
PARTS LIST			
ITEM	PART NUMBER	DESCRIPTION	QTY
1	385-39-00-582	15000 PROFILE SIDE LADDER PC	2
2	364-95-00-324	LADDER RUNG	8
3	364-95-00-327	UPPER TANK LUG	4
4	R07619	3/8-16 UNC x 1 HEX BOLT GR.5	4
5	R07794	3/8-16 UNC FLANGE NUT - ZINC	4

LOWER DISCHARGE PIPE KIT



PARTS LIST				PARTS LIST			
ITEM	PART NUMBER	DESCRIPTION	QTY	ITEM	PART NUMBER	DESCRIPTION	QTY
1	364-79-01-000	6" DROP PIPE ASSY-15000 PROFILE TANK	1	3	200-00-00-132	S.M.V. SIGN HOLDER	1
				4	R07619	3/8 x 1 HEX BOLT	2
1.1	364-79-01-295	LONG DROP PIPE	1	5	R07803	3/8 LOCK WASHER	2
1.2	364-19-00-082	DISCHARGE PIPE CORNER PC	1	6	R07783	3/8 HEX NUT	2
1.3	364-19-00-087	DISCHARGE PIPE FLANGE	1	7	384-05-03-070	TANK BRKT	1
1.4	364-79-01-296	SHORT HORIZONTAL PIPE	1	8	R07805	1/2 LOCK WASHER	2
1.5	384-05-02-069	TUBE ATTACHMENT BRKT	1	9	R07674	1/2 x 1 1/4 HEX BOLT	2
1.6	308-77-00-226	S.M.V. SIGN HOLDER	1	10	R07785	1/2 HEX NUT	2
1.7	R02127	1 1/2 CLOSE NIPPLE	1	11	R09501	SLOW MOVING VEHICLE DECAL	1
2	R02490	1 1/2" CHECK VALVE	1				

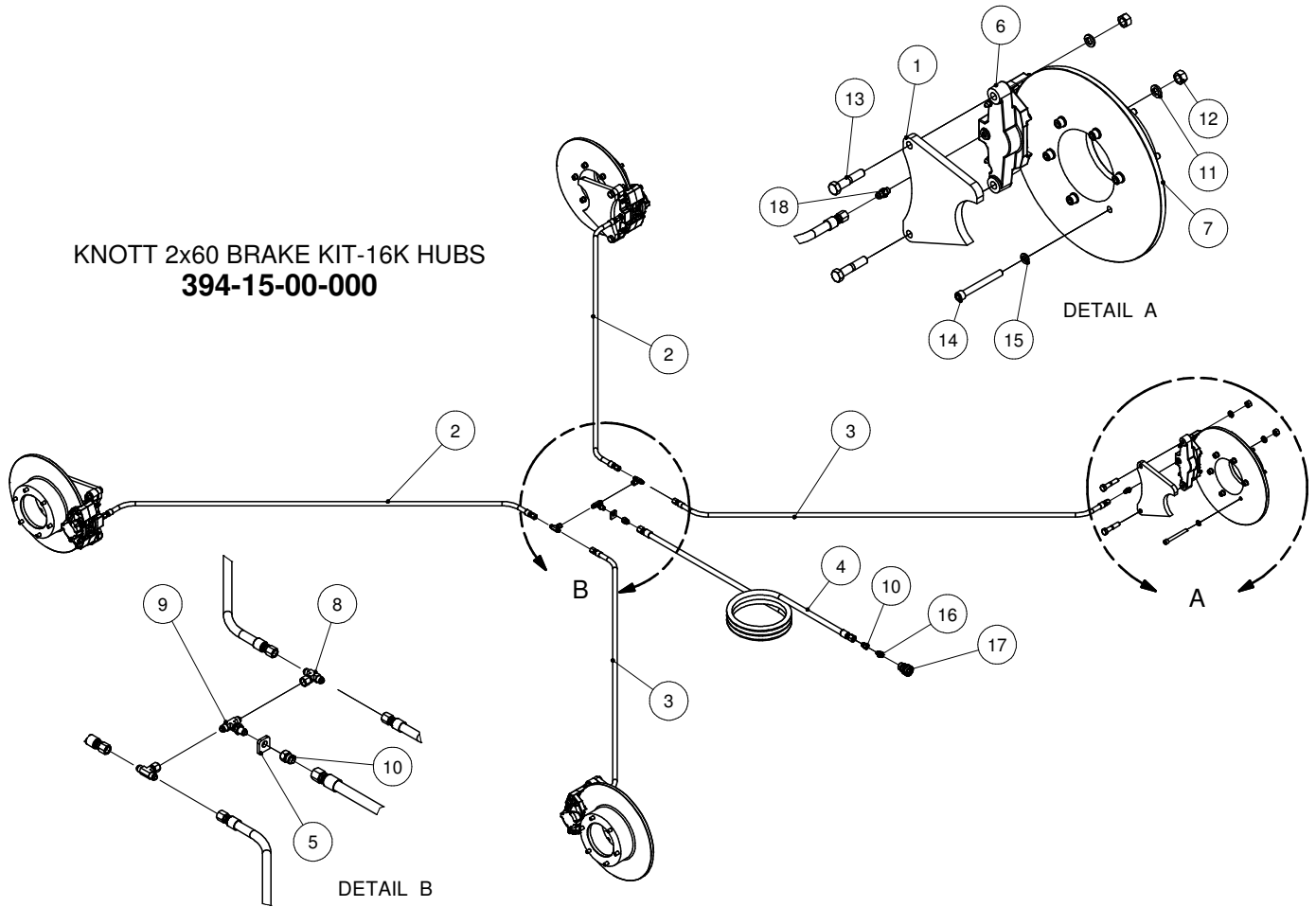
TANK VENT KIT



TANK VENT KIT
357-51-00-000
(OPTIONAL)

PARTS LIST				PARTS LIST			
ITEM	PART NUMBER	DESCRIPTION	QTY	ITEM	PART NUMBER	DESCRIPTION	QTY
1	357-51-01-000	VENT TUBE ASSY	1	4	357-51-00-258	LOWER STAINLESS STEEL WASHER	1
1.1	357-51-01-246	VENT TUBE	1	5	357-51-00-334	RUBBER PLUG	1
1.2	357-51-01-247	VENT STRAP	1	6	R07891	7/16 2-WAY LOCK NUT	1
1.3	357-51-01-248	INNER SLIDE TUBE	1	7	R07690	5/16 x 5/8 HEX BOLT	2
1.4	357-51-01-335	OUTER NIPPLE	1	8	357-51-00-249	SPRING	1
2	357-51-02-000	CAP ASSY	1	9	R07689	7/16 x 7 HEX BOLT	1
2.1	357-51-02-251	SLEEVE	1	10	R07833	7/16" SAE FLAT WASHER	2
2.2	357-51-02-252	ELBOW SECTION	2	11	R08178	7/16 NYLOCK HEX NUT	1
2.3	357-51-02-253	ELBOW MIDDLE SECTION	1	12	R02969	3 1/2" HALF COUPLER	1
3	357-51-00-250	STAINLESS STEEL WASHER	1				

KNOTT 2x60 BRAKE KIT-16K HUBS

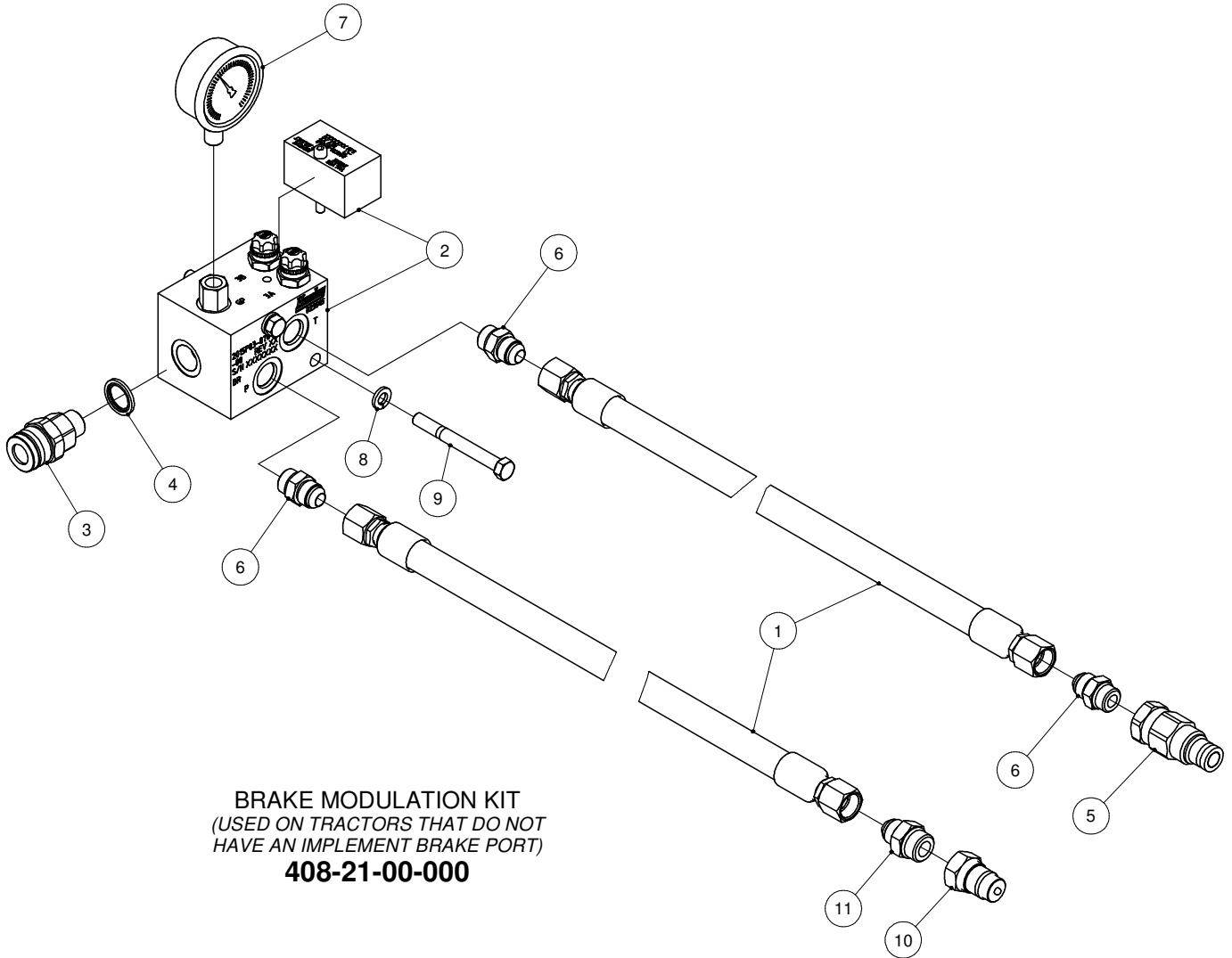


KNOTT 2x60 BRAKE KIT-16K HUBS
394-15-00-000

PARTS LIST

ITEM	PART NUMBER	DESCRIPTION	QTY
1	394-15-00-106	KNOTT 2x60 CALIPER MOUNT PLATE-16K	4
2	394-15-01-000	BRAKE HOSE ASSY 3/8" - REAR	2
3	394-15-02-000	BRAKE HOSE ASSY 3/8" - FRONT	2
4	394-15-03-000	MAIN BRAKE LINE ASSY-1/2"	1
5	394-15-00-110	BULKHEAD PLATE - 1 HOLE	1
6	R22656	KNOTT 2x60 CALIPER	4
7	R22659	17.5" OD CAST BRAKE ROTOR-16K	4
8	R23120	3/8"M X 3/8"M X 3/8" SW F JIC TEE	2
9	R23222	3/8" JIC BULKHEAD TEE	1
10	R23077	3/8" JIC F. x 1/2" JIC M. BUSHING	2
11	R07806	5/8 LOCK WASHER - ZINC	8
12	R07786	5/8-11 UNC HEX NUT - ZINC	8
13	R08502	5/8-11 UNC x 3 HEX BOLT GR.8	8
14	R08377	1/2-20 UNF x 4.5 SHCS - BLK	24
15	R07805	1/2 LOCK WASHER - ZINC	24
16	R23126	3/8" BSPP M. X 3/8" JIC M. ADAPTER	1
17	R23180	FASTER F. BRAKE COUPLING	1
18	R22149	ORB-5 x 3/8" JIC M. ADAPTER	4

BRAKE MODULATION KIT

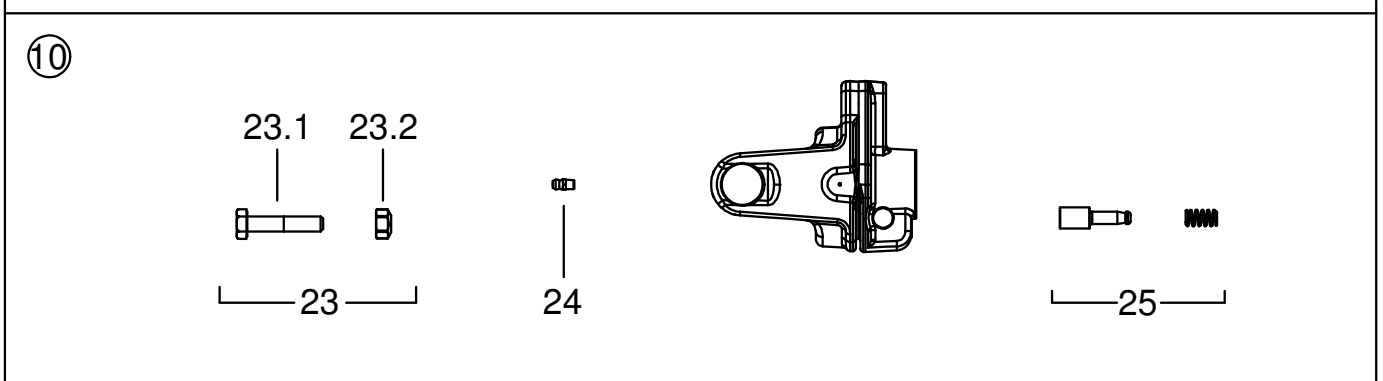
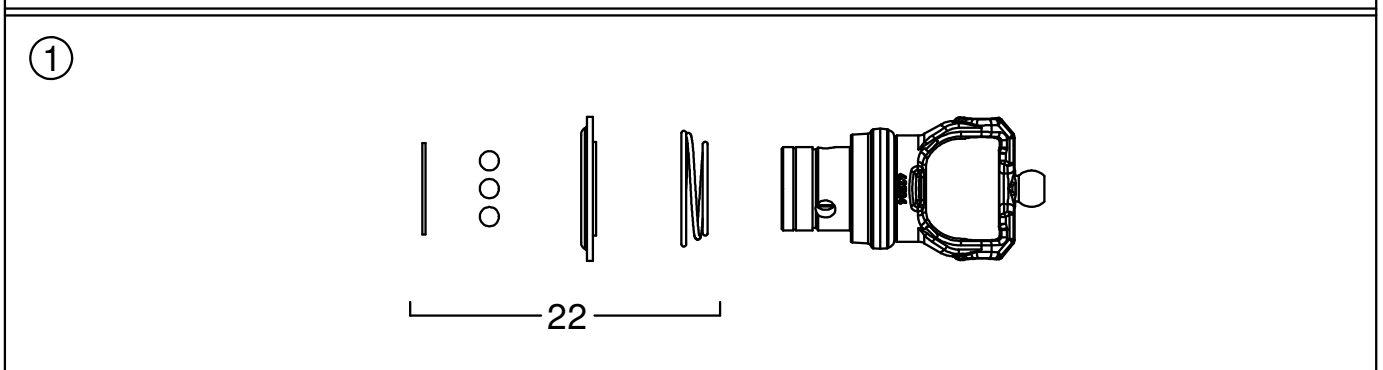
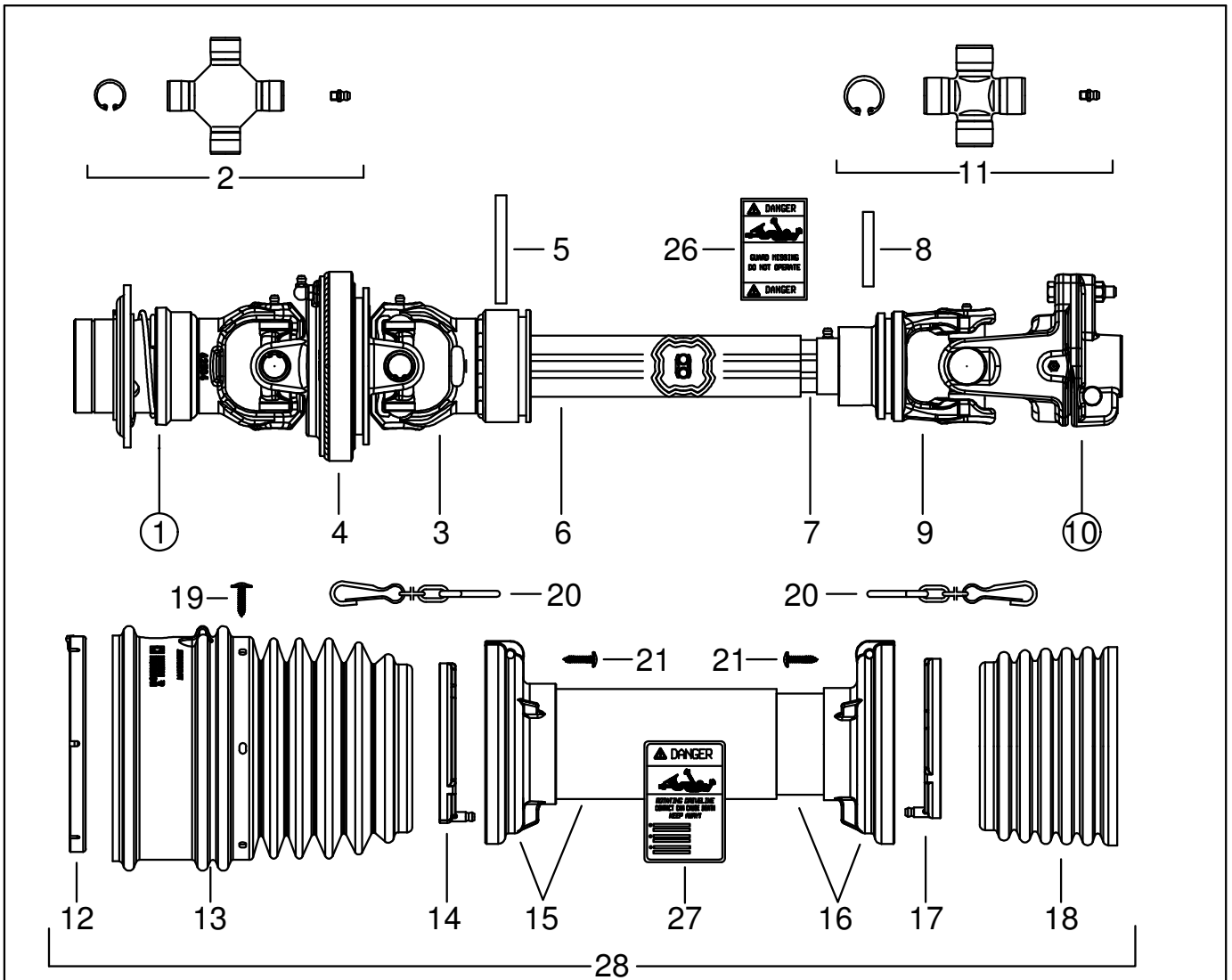


BRAKE MODULATION KIT
 (USED ON TRACTORS THAT DO NOT
 HAVE AN IMPLEMENT BRAKE PORT)
408-21-00-000

PARTS LIST			
ITEM	PART NUMBER	DESCRIPTION	QTY
1	408-21-01-000	HYD HOSE ASSY-MANIFOLD TO TRACTOR	2
2	R23505	BRAKE VALVE MANIFOLD-LYNCH	1
3	R23200	1/2" BSPP MALE FASTER COUPLING	1
4	R23148	1/2" BSPP BONDED SEAL	1
5	R23187	FASTER CASE DRAIN NIPPLE ORB-08	1
6	R23092	ORB-8 x 1/2" JIC M. ADAPTOR	3
7	R21251	2-1/2" SS PRESSURE GAUGE 3000 PSI	1
8	R07803	3/8 LOCK WASHER - ZINC	2
9	R07624	3/8-16 UNC x 3.5 HEX BOLT GR.5	2
10	R23182	MALE PIONEER TIP-ORB-10	1
11	R23095	ORB-10 x 1/2" JIC M ADAPTOR	1

This Page is Intentionally Left Blank

SPREADERS PTO - 2012



SPREADERS PTO - 2012

R21582 - 1 3/8" 6 TOOTH - 540 RPM

R21583 - 1 3/8" 21 TOOTH - 1000 RPM

R21584 - 1 3/4" 20 TOOTH - 1000 RPM

PARTS LIST				
ITEM	MFG #	PART NUMBER	DESCRIPTION	QTY
1	5730E0384	R22707	#4 1-3/8" CV YOKE - 6 TOOTH SLIDING YOKE COLLAR - 540rpm	1
	5730E3784	R22706	#4 1-3/8" CV YOKE - 21 TOOTH SLIDING YOKE COLLAR - 1000rpm	1
	5730E3884	R22708	#4 1-3/4" CV YOKE - 20 TOOTH SLIDING YOKE COLLAR - 1000rpm	1
2	4120E0051	R22709	#4 CROSS KIT - 22x86mm	2
3	2150E6871	R23381	#4 OUTER TUBE YOKE	1
4	5110E0052	R22711	#4 CENTRAL BODY-CV	1
5	341078000	R23382	FLEXIBLE ROLL PIN - 8x80mm	1
6	2253L1050	R23383	#4 OUTER DRIVE TUBE - L=1050mm	1
7	528S4R121WN	R23384	#4 INNER DRIVE TUBE - L=1075mm	1
8	341048000	R21476	FLEXIBLE ROLL PIN - 8x55mm	1
9	204S46853	R23385	#4 TUBE YOKE 4 LOBE - INNER	1
10	6060E0302	R22712	#4 SHEAR CLUTCH 1700Nm 1-3/8" 6T - PUSH PIN	1
11	4120E0012	R23386	#4 CROSS KIT - 27x74.6mm GREASE ZERK CAP	1
12	2550E0005	R23387	SHIELD OUTER BELL SUPPORT	1
13	2190E0121	R23388	CONE SHIELD BELL - OUTER	1
14	2550C0001	R23389	SHIELD SUPPORT - OUTER TUBE	1
15	5TWN3S4121U	R23390	#4 SHIELD TUBE & CONE - OUTER	1
16	5MWN3S4121U	R23391	#4 SHIELD TUBE & CONE - INNER	1
17	2550C0002	R23392	SHIELD SUPPORT - INNER TUBE	1
18	2190E0201	R23393	CONE SHIELD BELL - INNER	1
19	310001428	R22719	SCREW FLANGE HEAD - SELF TAP 4.8x22mm	6
20	252000050	R21738	SHIELD CHAIN w/ S-HOOK L=500mm	2
21	310001431	R23394	SCREW - SELF TAP 4.8x22mm	6
22	435000323	R22722	BALL COLLAR KIT 1-3/8" 6T & 1-3/8" 21T	1
	435000420	R22723	BALL COLLAR KIT 1-3/4" 20T	1
23	432000047	357-36-00-000	SHEAR BOLT & NUT - 5/PACK	1
23.1	-	R08251	M8x1.25x45 BOLT GR8.8 (NOT FOR INDIVIDUAL SALE)	1
23.2	-	R08252	M8x1.25 NYLOCK NUT (NOT FOR INDIVIDUAL SALE)	1
24	348017000	R21687	GREASE FITTING M6x1 STRAIGHT	1
25	403000001	R22724	COMPLETE PUSH PIN 1-3/8" 6T	1
26	399143000	R21523	DANGER SHIELD MISSING LABEL	1
27	399141000	R21521	DANGER ROTATING DRIVELINE LABEL	1
28	5CS4121U2WSG	R23395	COMPLETE SHIELD KIT	

HUSKY FARM EQUIPMENT LIMITED

ALMA, ON

NOB 1A0

PHONE: (519) 846-5329

FAX: (519) 846-9378

FIVE YEAR AXLE WARRANTY

Husky Farm Equipment Limited will guarantee for five (5) years from date of invoice, all Manure Spreader undercarriages and axle assemblies, if used on a farm for farm purposes.

Husky will replace free of charge:

1. Any part of the axle which should break or collapse through normal use.
2. Any spindles or hubs which should break through normal use.
3. Any wheel and rim assemblies which should fail through normal use.

Exempt from extended warranty are:

1. Any part of the axle which should break or collapse through overload. Overload includes: Any attachments (ie. injectors) and any product being transported in Spreader weighing more than 10 lb/gallon. (ie. manure mixed with sand).
2. Bearings and tires which are covered under normal warranty and do require maintenance to avoid failure.
3. Wheel or rim damage resulting from owner failing to keep wheel bolts tight.
4. Spindles damaged through bearing failure.
5. Any axle that is custom built.
6. Any axle used in commercial custom hauling applications.

To qualify for extended warranty, damaged parts must be returned to Husky Farm Equipment Limited, prepaid shipping, along with serial number and copy of the original invoice.

All parts supplied by Husky on warranty, will be shipped freight collect. Extended warranty covers damaged parts only and does not cause liability on Husky for any damage resulting from such failure.

TEN YEAR WARRANTY AGAINST RUSTOUT

Husky Farm Equipment provides a ten (10) year warranty from date of invoice, against premature perforation (rust out) of any liquid manure spreader manufactured. Providing the manure spreader is used for manure or sludge and not for chemical products.

Extended warranty is pro rated and will be paid only through the crediting off of the then current list price of a replacement manure spreader of the portion of warranty not used up in time.

Warranty will be effective toward replacing spreader only and no cash payment will be made. It will be understood that the original equipment to be replaced will then become property of Husky Farm Equipment Limited.

This extended warranty will be effective through Husky Farm Equipment factory or factory outlet only. A copy of the original invoice is to be supplied along with the serial number. This warranty will not be effective for commercial custom haulers or to owners other than the original.

Transportation to and from the factory is to be paid for by the owner of the equipment and not by Husky Farm Equipment Limited.