

DATE PURCHASED _____ MACHINE SERIAL NO. _____
OPTIONS _____

*Office copy
Husky
May 1/92
20 made*

PLEASE NOTE:

The key number system in this parts book is arranged as follows:

- 0 --Key number with one circle denotes main assemblies
- Key numbers not circled are individual parts

Please order parts by number

**18000 LITRE
MODEL 'E'
HUSKY LIQUID MANURE SPREADER**

OPERATING REQUIREMENTS FOR TANKER MANURE SPREADERS:

1. Heed all warnings.
2. Minimum HP requirements to safely operate on level terrain, on hilly terrain HP should be increased.

4500L	70 HP
7000L	85 HP
9000L	95 HP
12000L	110 HP
14000L	130 HP
15000L	140 HP
18000L	160 HP
23000L	200 HP

3. If machine is equipped with hydraulic brakes that are operated from the tractor hydraulics, they will not work should the tractor motor stop.

Inspect brakes before each use. Brakes must be bled before initial use unless installed at factory.

When releasing brakes the tractor hydraulic lever must be put in the opposing position to release pressure. Do not put in float position they will not release.

OPERATING REQUIREMENTS (CONT'D):

4. Tractor PTO spline must be approximately 14" (355 mm) from end of compressed PTO for proper adjustment.
5. Hitch tanker to tractor with minimum of 1" (25 mm) hardened hitch pin with a safety lock. Use 10,000 Lbs safety chain from spreader to tractor.
6. Do not use tongue jack stand to support loaded spreader. Put jack in storage position before using.
7. When hooking PTO to tractor make sure motor is stopped. Make sure QD (Quick Disconnect) safety locking pin is in locked position before using.
8. Clean off hose ends before plugging into tractor hydraulics. If spreader is equipped with hydraulic drive on spreading attachment, make sure tractor has sufficient oil flow and pressure to maintain satisfactory spread pattern, if not use another tractor.
9. After using spreader in freezing condition make sure impeller housing is drained.
10. Wash tank inside and out each time work is finished. This will increase life of tank by many years. See item 6 of Safety instructions.
11. Do not drive on public roads after dusk unless equipped with lights required by Department of Transportation in your area.
12. Remove wheels annually and grease wheel bearings.
13. Because manure smells, many farmers have made unfriendly neighbours. If in a residential area a manure injector is a recommended option to bury the smell.
14. Much of the fertilizer value of manure is lost when exposed to air. Getting the manure covered quickly is a very important part of spreading manure.
15. If rustproof coating on interior shows signs of deterioration, have interior repainted. This can be done with a roller or brush. This helps to increase the life of your spreader. It is a valuable maintenance procedure.

SAFETY INSTRUCTIONS:

Do not operate this machine until you fully understand the safe operating practices.

1. Make sure all moving parts are shielded to prevent coming in contact with loose clothing.
2. Keep children clear, do not let children or anyone ride on the spreader at anytime.
3. Do not support loaded spreader on tongue jack.
4. Keep tire pressure to recommended pressure at all times. Recommended tire pressure being:

		<u>Lbs</u>	<u>KPA</u>
40 x 14	Airplane Tires	55	379
44 x 16		55	379
47 x 18 x 18		55	379
50 x 20 x 20		55	379
16.5L x 16.1	Implement Tires	35	241
21.5L x 16.1		35	241
18.4L x 26	Turf Tires	26	180
28 L x 26		24	166
23.5L x 25	Loader Dozer Tires	55	379
18L x 22.5	Truck Tires	65	448

1 Lb = 6.8947 KPA

5. Keep wheel bolts torqued to recommended torque at all times. Recommended torque being:

Wheel Bolt Size	Torque		Torque	
	<u>Dry</u>	<u>Oiled</u>	<u>Dry</u>	<u>Oiled</u>
9/16 - 18 NF	190	145	26.28	20.06
5/8 - 18 NF	270	205	37.34	28.35
3/4 - 16 NF	470	360	65.01	49.79

(CHECK DAILY)

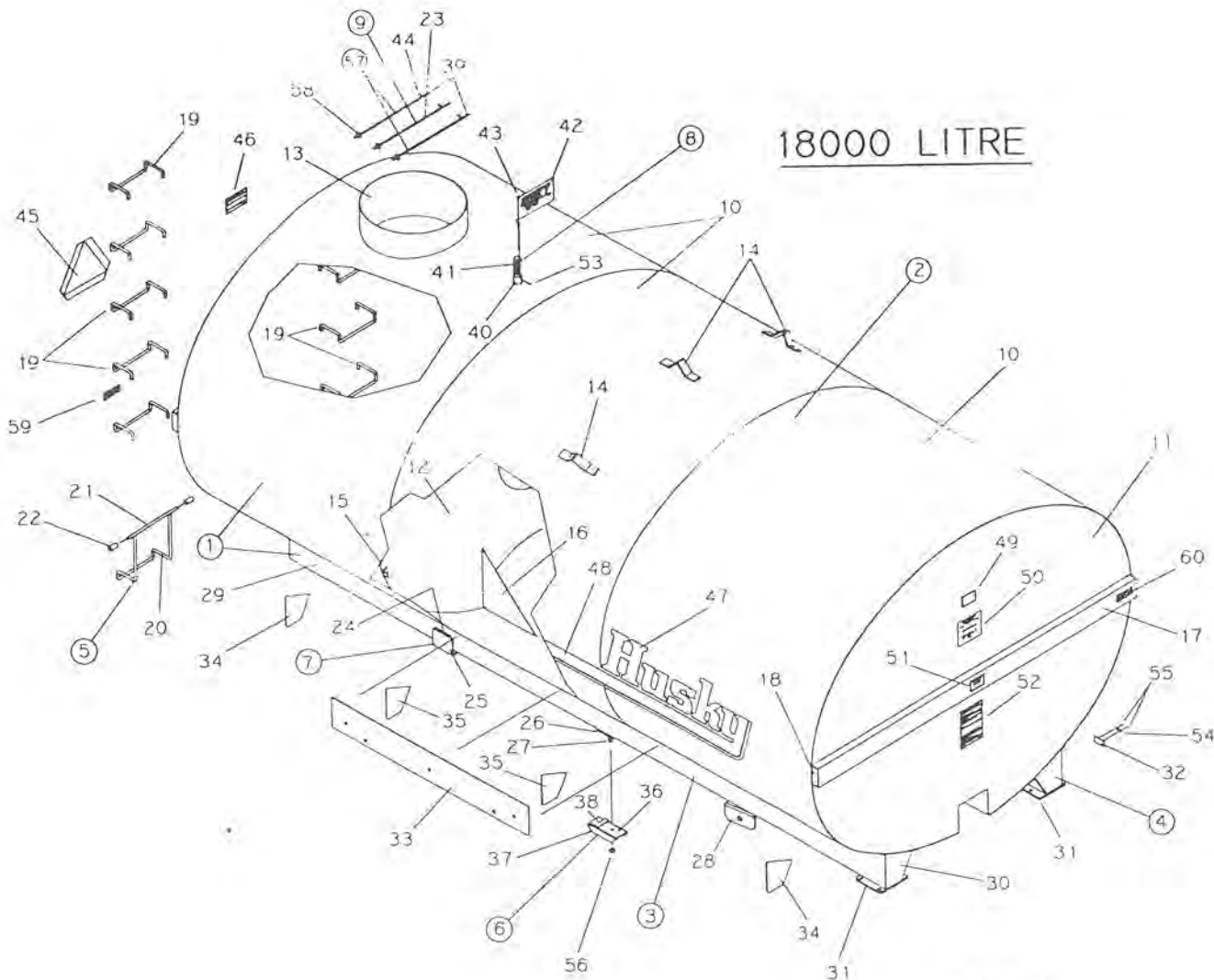
6. Never enter a tanker without special breathing equipment to supply oxygen. Manure gases can kill instantly. One breath of Hydrogen Sulfide can kill.
7. When hooking up or repairing hydraulic hoses always wear safety glasses and relieve pressure to avoid getting oil in eyes.
8. Caution - disc brakes will not release unless valve lever is held momentarily in opposite position. This will relieve pressure in brake line. Do not put in float position, they will not release.

<u>KEY</u>	<u>PART NUMBER</u>	<u>DESCRIPTION</u>	<u>QTY</u>
1	358-31-00-000	18000L TANK & SILL ASSY	1
2	340-01-01-000	18000L TANK ASSY	1
3	340-01-02-000	R.H. SILL ASSY	1
4	340-01-03-000	L.H. SILL ASSY	1

5	364-02-19-000	LADDER BOTTOM RUNG ASSY	1
6	340-41-00-000	CLAMPING BRACKET ASSY	2
7	340-01-20-000	AXLE REAR STOP ASSY	2
8	340-62-00-000	HUSKY FLAG KIT	1

9	364-49-00-000	LONG MANHOLE SAFETY BAR	1
10	340-01-01-301	TANK *SHELL	3
11	340-01-01-300	TANK ENDS	2
12	340-01-01-302	BAFFLE	2

13	364-02-00-006	MANHOLE	1
14	300-01-00-012	LIFT HOOK	3
15	300-01-00-016	BAFFLE BRACKET	16
16	340-01-01-459	BAFFLE GUSSET	8



<u>KEY</u>	<u>PART NUMBER</u>	<u>TANK ASSY DESCRIPTION</u>	<u>QTY</u>
17	340-01-06-312	TANK END STIFFENER	2
18	340-01-06-464	STIFFENER CAP	4
19	364-02-00-008	LADDER RUNG	9
20	364-02-19-151	LADDER BOTTOM RUNG	1

21	364-02-19-152	LADDER TOP PIECE	1
22	364-02-00-153	LADDER BRACKET	2
23	364-49-00-164	LONG MANHOLE SAFETY BAR	1
24	340-01-20-446	AXLE REAR INNER STOP	2

25	340-01-20-447	AXLE REAR OUTER SUPPORT	2
26	340-01-00-445	FRONT SPACER	2
27	300-00-00-448	SCRAPER BLADE BOLT	2
28	315-31-00-115	TONGUE 'U' PIECE	2

29	340-01-02-303	SILL	2
30	340-01-06-311	SILL CAP	4
31	340-01-07-460	TANK SUPPORT HOLD DOWN BRACKET	2
32	340-01-00-498	SERIAL NUMBER PLATE	1

33	340-01-02-304	SILL REINFORCING	2
34	340-01-02-305	END SILL STIFFENERS	4
35	340-01-02-306	CENTER SILL STIFFENERS	4
36	340-41-00-442	CLAMPING BRACKET	2

37	340-41-00-443	CLAMPING BRACKET GUSSET	4
38	340-41-00-444	FILLER BAR	2
39	364-00-00-155	MANHOLE SAFETY BARS	2
40	340-00-00-536	FLAG SPRING HOLDER	1

41	R08037	FLAG SPRING	1
42	R09735	HUSKY FLAG	1
43	R21371	PLASTIC TIP	1
44	R08020	3/16 X 1 1/4 S.S. COTTER PIN	3

45	R09501	SLOW MOVING VEHICLE SIGN	1
46	R09784	"DANGER - TOXIC GAS..." DECAL	1
47	R09510	"HUSKY" DECAL	2
48	R09511	ACCENT STRIPE	2

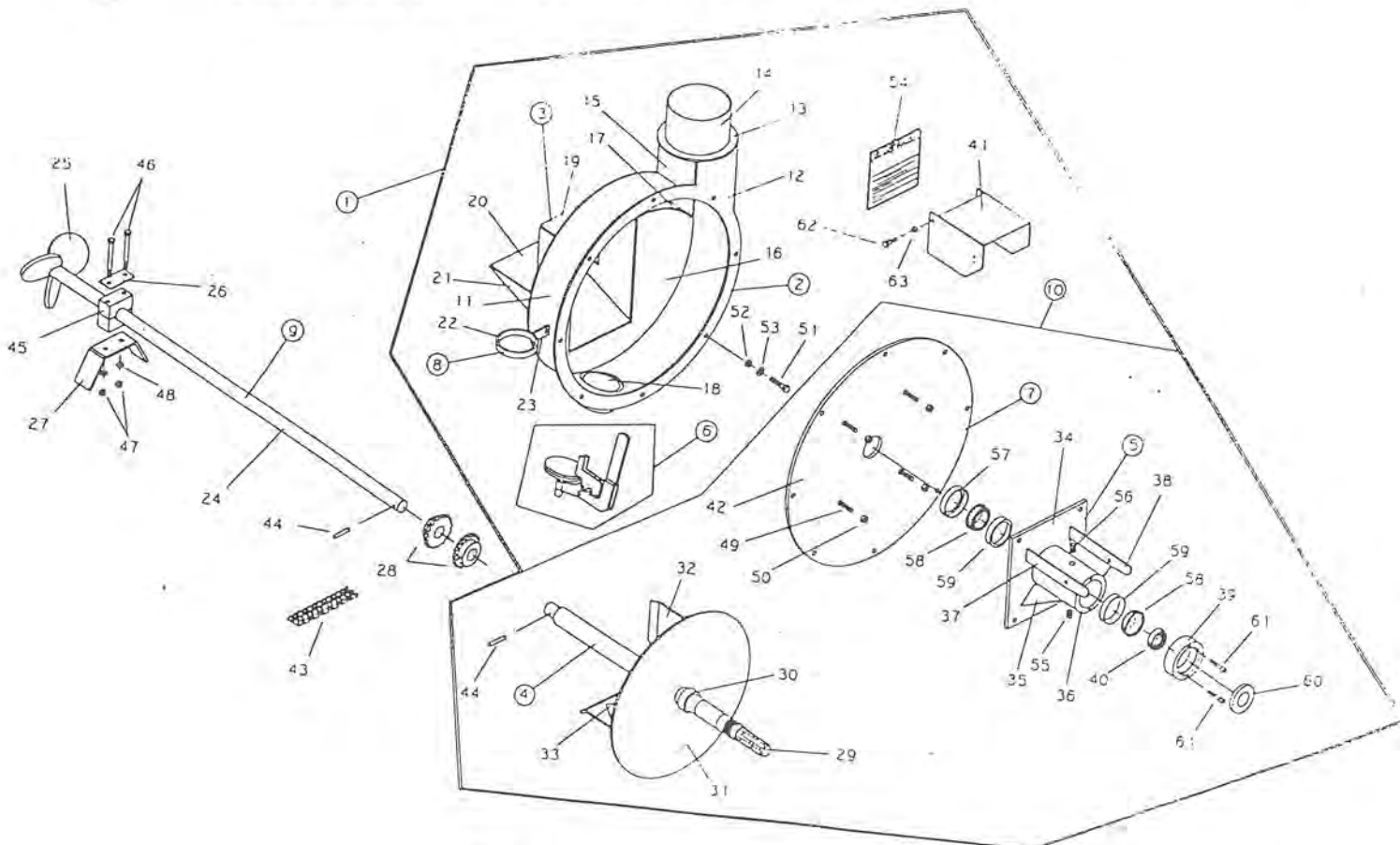
49	R09509	"MADE IN CANADA" DECAL	1
50	R09730	"TIRE PRESSURE" DECAL	1
51	R09512	CAPACITY STICKER	1
52	R09783	"CAUTION" DECAL	1

53	R07926	5/16-18 X 1/4 S.S. SET SCREW	1
54	R09071	SERIAL NUMBER	1
55	R08162	TYPE 'U' DRIVE SCREW 4 X 1/4	2
56	R07878	3/4" NYLON INSERT NUT	2

57	364-47-00-000	MANHOLE SAFETY BAR ASSY	2
58	R07825	1/2" FLAT WASHER	3
59	R10096	RED REFLECTOR	2
60	R10097	AMBER REFLECTOR	1

FAN & HOUSING KIT

KEY	PART NUMBER	DESCRIPTION	QTY
1	364-23-00-000	MODEL E FAN & HOUSING KIT 540 RPM	1
	364-56-00-000	MODEL E FAN & HOUSING KIT 1000 RPM	1
2	364-01-03-000	FAN HOUSING ASSY	1
3	364-01-15-000	HOUSING BACK PLATE ASSY	1
<hr/>			
4	364-63-00-000	FAN ASSEMBLY 540 RPM	1
	364-64-00-000	FAN ASSEMBLY 1000 RPM	1
5	364-61-00-000	BRG HOLDER ASSEMBLY	1
6	364-62-00-000	DRAIN PLUG KIT	1
<hr/>			
7	364-67-00-000	COVER PLATE ASSY	1
8	364-41-00-000	PTO HOLDER ASSY	1
9	364-22-00-000	AGITATOR ASSEMBLY	1
10	364-65-00-000	540-FAN, COVER PLATE & BRG KIT	1
<hr/>			
	364-66-00-000	1000-FAN, COVER PLATE & BRG KIT	1
11	364-01-03-018	HOUSING BAND	1
12	364-01-03-019	HOUSING FLANGE	1
13	364-01-03-062	DISCHARGE RING	1
<hr/>			
14	364-01-03-063	DISCHARGE TUBE	1
15	364-01-03-081	FAN HOUSING VERTICAL PC	1
16	364-01-03-106	HOUSING BACK PLATE	1
17	364-01-03-156	HOUSING BAND AID	1
<hr/>			
18	364-01-03-110	DRAIN PIPE	1
19	364-01-03-104	OUTLET TOP PC	1



FAN & HOUSING KIT CONTINUED

<u>KEY</u>	<u>PART NUMBER</u>	<u>DESCRIPTION</u>	<u>QTY</u>
20	364-01-03-105	OUTLET BOTTOM PC	1
21	364-01-03-103	OUTLET SIDE PCS	2
22	364-41-00-132	PTO HOLDER	1
23	364-41-00-133	PTO HOLDER BRKT	1

24	364-22-00-074	AGITATOR SHAFT	1
25	364-22-00-075	AGITATOR BLADES	3
26	300-00-00-062	BRG PLATE	1
27	364-00-00-077	BRG HOLDER	1

28	364-00-00-085	#50-16 COUPLER SPROCKET	2
29	364-63-00-194	FAN SHAFT	1
30	364-63-00-195	SS SLEEVE	1
31	364-00-00-114	HANDLE	1

32	364-63-00-208	540 RPM FAN BLADE	4
	364-64-00-210	1000RPM FAN BLADE	*
33	364-03-00-024	GUSSET	4
34	364-61-00-192	SEAL TUBE BACK PLATE	1

35	364-61-00-193	SEAL TUBE GUSSET	2
36	364-61-00-191	BRG TUBE	1
37	364-61-00-197	RH FLIP GUARD BRKT	1
38	364-61-00-198	LH FLIP GUARD BRKT	1

39	364-61-00-196	SEAL TUBE CAP	1
40	364-00-00-212	STAKE NUT	1
41	364-00-00-029	FLIP GUARD	1
42	364-67-00-211	COVER PLATE	1

43	R20885	#50-2 COUPLER CHAIN	1
44	R07952	5/16 X 2 1/2 ROLL PIN	2
45	R20228	1 1/4 WOOD BRG	1
46	R07625	3/8 X 4 HEX BOLT	2

47	R07783	3/8 HEX NUT	2
48	R07803	3/8 LOCK WASHER	2
49	R07732	7/16 X 1 1/4 CARRIAGE BOLT	4
50	R07879	7/16 FLANGE NUT	4

51	R07677	7/16 X 1 1/4 HEX BOLT	8
52	R07784	7/16 HEX NUT	8
53	R07804	7/16 LOCK WASHER	8
54	R09785	'DANGER' DECAL	1

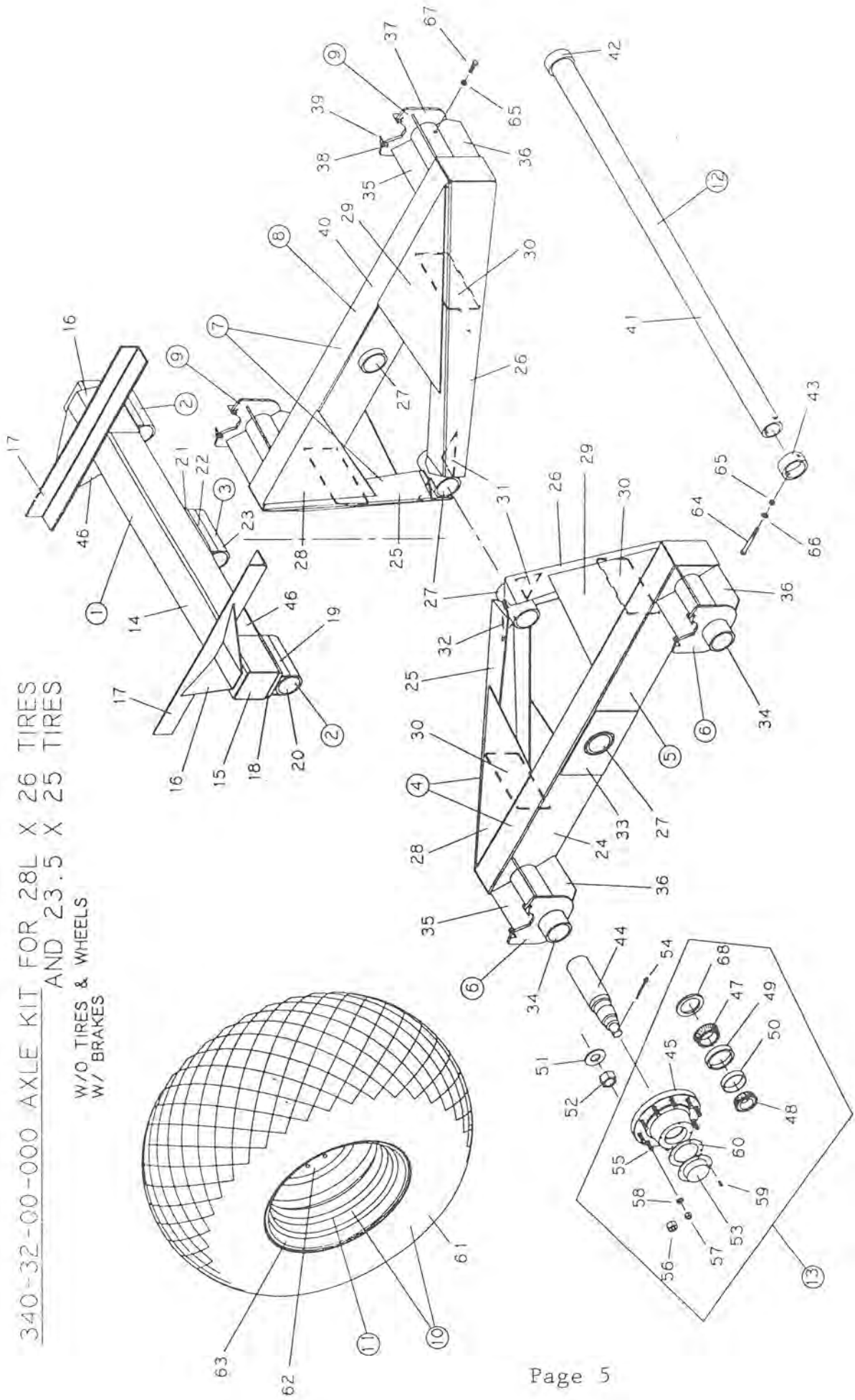
55	R02151	PIPE PLUG	1
56	R20689	VERT PLUG	1
57	R21184	SEAL	1
58	R20115	CONE	2

59	R20113	CUP	2
60	R21185	SEAL	1
61	R08175	5/16-18 UNC X 1 3/4 CAP SCREW	2
62	R07619	3/8 X 1 HEX BOLT	2

63	R07886	3/8 LOCK NUT	2

340-32-00-000 AXLE KIT FOR 28L X 26 TIRES
AND 23.5 X 25 TIRES

W/O TIRES & WHEELS
W/ BRAKES



AXLE KIT FOR 28L X 26 TIRES & 23.5 X 25 TIRES

<u>KEY</u>	<u>PART NUMBER</u>	<u>DESCRIPTION</u>	<u>QTY</u>
1	340-11-00-000	BASE FRAME ASSY	1
2	340-07-08-000	STATIONARY SLEEVE ASSY	2
3	340-11-28-000	CENTRE SLEEVE ASSY	1
4	340-12-00-000	R.H. TANDEM SIDE ASSY	1

5	340-12-30-000	R.H. WALKING BEAM ASSY	1
6	340-08-10-000	R.H. CALIPER MOUNTING PLATE ASSY	2
7	340-13-00-000	L.H. TANDEM SIDE ARM ASSY	1
8	340-13-31-000	L.H.. WALKING BEAM ASSY	2

9	340-09-29-000	L.H. CALIPER MOUNTING ASSY	4
10	330-04-00-000	28L X 26 TIRE, TUBE & WHEEL ASSY	4
	340-18-00-000	23.5L X 25 TIRE, TUBE & WHEEL ASSY	*
11	330-04-43-000	WHEEL ASSY FOR 28L TIRE	4

	340-18-24-000	WHEEL ASSY FOR 23.5L TIRE	*
12	340-63-00-000	AXLE TUBE ASSY	1
13	340-43-00-000	10 BOLT HUB COMPLETE ASSY	4
14	340-11-00-353	CROSS AXLE SUPPORT	1

15	340-07-00-329	COVER PLATE	2
16	340-11-00-354	REINFORCING PLATE	2
17	315-35-00-131	SILL ANGLE PLATE	2
18	340-07-00-324	SPACER	2

19	340-07-08-323	SIDE SLEEVE CHANNEL	2
20	340-07-08-322	STATIONERY SLEEVE	2
21	340-11-00-519	SPACER	1
22	340-11-28-517	CENTRE SLEEVE CHANNEL	1

23	340-11-28-518	CENTRE SLEEVE	1
24	340-12-00-355	R.H. WALKING BEAM	1
25	340-12-00-358	TANDEM SIDE ARM - SHORT	2
26	340-12-00-359	TANDEM SIDE ARM - LONG	2

27	340-08-00-341	ROCKER SLEEVE	4
28	340-12-00-529	WALKING BEAM GUSSET - REAR	4
29	340-12-00-530	WALKING BEAM GUSSET - FRONT	4
30	340-12-00-360	VERTICAL BRACE	4

31	340-12-00-362	TANDEM GUSSET - FRONT	2
32	340-12-00-361	TANDEM GUSSET - REAR	2
33	340-12-30-533	ROCKER SLEEVE REINFORCING PLATE	2
34	340-12-00-357	SPINDLE SLEEVE	4

35	340-12-30-531	SPINDLE SLEEVE GUSSET - UPPER	8
36	340-12-30-532	SPINDLE SLEEVE GUSSET - LOWER	8
37	340-08-10-332	CALIPER MOUNTING PLATE	4
38	340-08-10-333	CALIPER PLATE STOP	8

39	340-08-10-334	CALIPER PLATE SUPPORT	8
40	340-13-00-356	L.H. WALKING BEAM	1
41	340-63-00-537	MAIN AXLE TUBE	1
42	340-63-00-538	STOP RING	1

<u>KEY</u>	<u>PART NUMBER</u>	<u>DESCRIPTION</u>	<u>QTY</u>
43	340-00-00-346	RETAINING RING	1
44	340-00-00-347	SPINDLE	4
45	340-43-00-451	10 BOLT HUB W/ CUPS 16000LB	4
46	340-07-00-330	DOUBLE GUSSET	4

47	R20086	INNER CONE	4
48	R20087	OUTER CONE	4
49	R20088	INNER CUP	4
50	R20089	OUTER CUP	4

51	R20091	SPINDLE WASHER 1-11/16	4
52	R20092	SPINDLE NUT 1-3/4-12 UNF	4
53	R20093	DUST CAP	4
54	R20095	COTTER PIN 5/16 X 4	4

55	R20096	WHEEL BOLTS	40
56	R20097	3/4" SPH-RAD WHEEL NUT	40
57	R07820	3/4-16 UNF FEDALLOY HEX NUT	*
58	R07834	3/4 FEDALLOY FLAT WASHER	*

59	R07690	DUST CAP BOLT 5/16 X 5/8	16
60	R20084	DUST CAP GASKET	4
61	R20015	28L X 26 TIRE & TUBE	4
	R20012	23.5L X 25 TIRE	*

62	R20052	CENTRE DISC FOR 28L X 26 WHEEL	4
	R20055	CENTRE DISC FOR 23.5L X 25 TIRE	*
63	R20053	RIM FOR 28L X 26 TIRE	4
	R20060	RIM FOR 23.5L X 25 TIRE	*

64	R07653	5/8 X 6 HEX BOLT	1
65	R07786	5/8 HEX NUT	9
66	R07806	5/8 LOCK WASHER	1
67	R07927	5/8 X 1-1/2 SQ.HD. SET SCREW	8

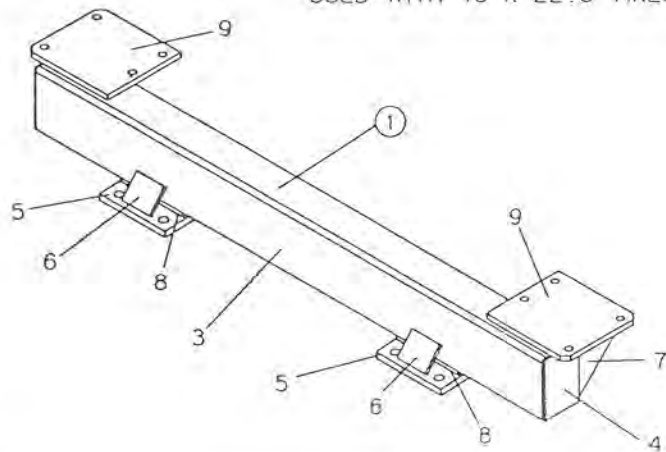
68	R20083	SEAL	4

TONGUE CROSS SUPPORT

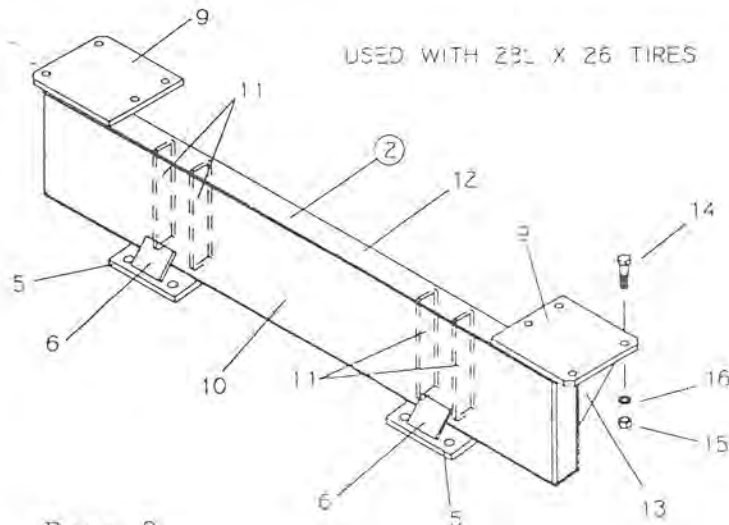
KEY	PART NUMBER	DESCRIPTION	QTY
1	358-45-00-000	CROSS MEMBER ASSY	1
2	358-46-00-000	CROSS MEMBER ASSY	*
3	358-45-00-146	CROSS MEMBER - 18 X 22.5 TIRES	1
4	358-45-00-147	END CAP	2
<hr style="border-top: 1px dashed black;"/>			
5	358-45-00-148	TONGUE STRAP	2
6	364-02-17-123	TONGUE STRAP GUSSET	2
7	358-45-00-149	GUSSET	2
8	358-45-00-150	FILLER ROD	2
<hr style="border-top: 1px dashed black;"/>			
9	340-01-07-460	TANK SUPPORT HOLD DOWN BRACKET	2
10	364-27-00-094	TANK SUPPORT COVER	1
11	364-27-00-096	TANK SUPPORT INSIDE BRACE	4
12	364-27-00-095	TANK SUPPORT 28L X 26 TIRES	1
<hr style="border-top: 1px dashed black;"/>			
13	315-31-00-116	DOUBLE GUSSET	2
14	R07647	5/8 X 2 HEX BOLT	8
15	R07786	5/8 HEX NUT	8
16	R07806	5/8 LOCK WASHER	8

TONGUE CROSS SUPPORT

USED WITH 18 X 22.5 TIRES

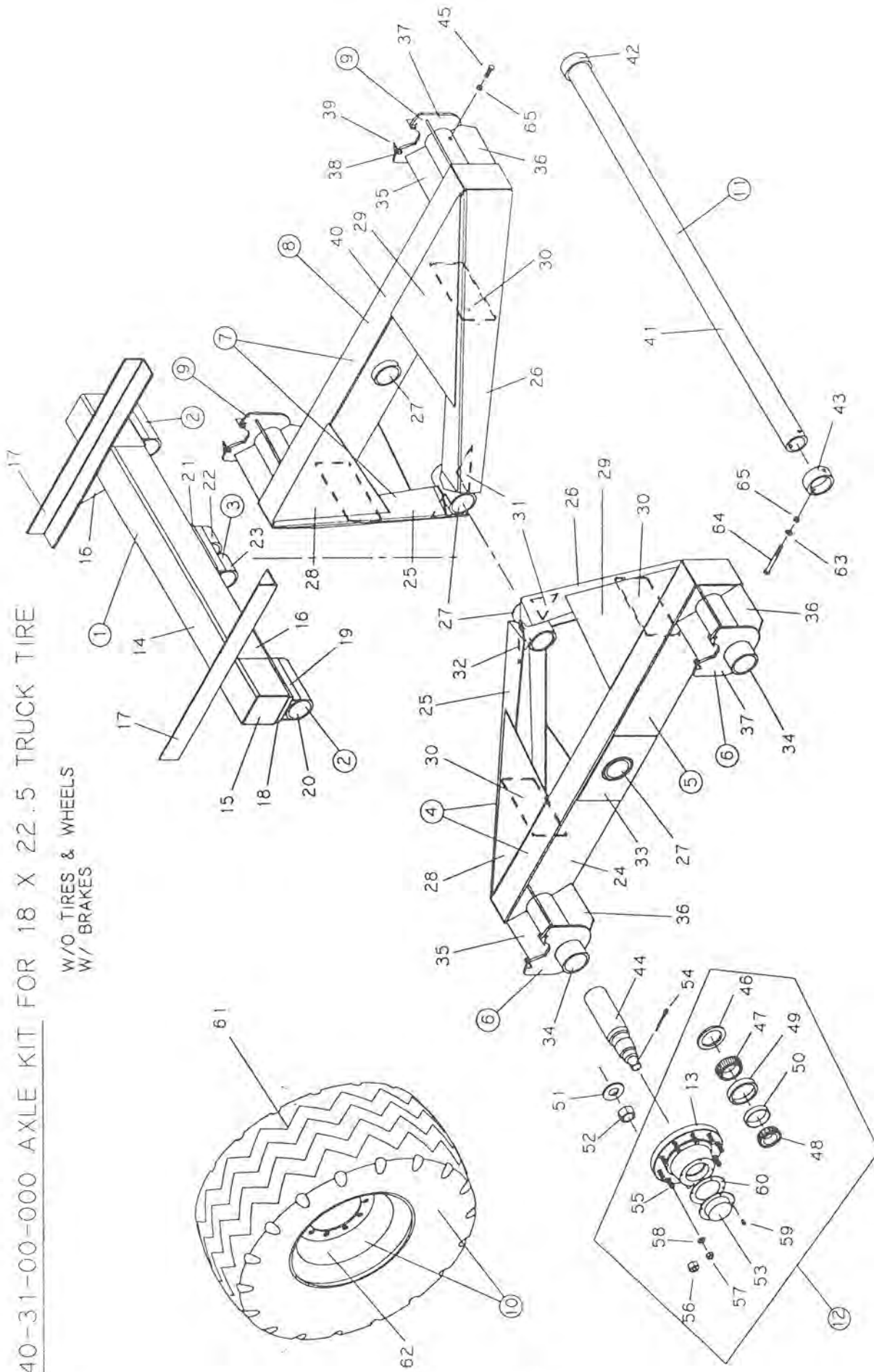


USED WITH 28L X 26 TIRES



340-31-00-000 AXLE KIT FOR 18 X 22.5 TRUCK TIRE

W/O TIRES & WHEELS
W/ BRAKES



AXLE KIT FOR 18 X 22.5 TRUCK TIRE

<u>KEY</u>	<u>PART NUMBER</u>	<u>DESCRIPTION</u>	<u>QTY</u>
1	340-07-00-000	BASE FRAME ASSY	1
2	340-07-08-000	STATIONARY SLEEVE ASSY	2
3	340-07-09-000	CENTRE SLEEVE ASSY	1
4	340-08-00-000	R.H. TANDEM SIDE ASSY	1

5	340-08-32-000	R.H. WALKING BEAM ASSY	1
6	340-08-10-000	R.H. CALIPER MOUNTING PLATE	2
7	340-09-00-000	L.H. TANDEM SIDE ASSY	1
8	340-09-33-000	L.H. WALKING BEAM ASSY	1

9	340-09-29-000	L.H. CALIPER MOUNTING PLATE	2
10	340-19-00-000	TIRE & WHEEL ASSY - 18 X 22.5	4
11	340-64-00-000	MAIN AXLE TUBE ASSY	1
12	340-43-00-000	10 BOLT HUB COMPLETE	4

13	340-43-00-451	10 BOLT HUB W/ CUPS - 16000LB	4
14	340-07-00-328	CROSS AXLE SUPPORT	1
15	340-07-00-329	COVER PLATE	2
16	340-07-00-330	DOUBLE GUSSET	4

17	315-35-00-131	SILL ANGLE PLATE	2
18	340-07-00-324	SPACER	2
19	340-07-08-323	SIDE SLEEVE CHANNEL	2
20	340-07-08-322	STATIONARY SLEEVE	2

21	340-07-00-327	CENTRE SLEEVE SPACER	1
22	340-07-09-326	CENTRE SLEEVE CHANNEL	1
23	340-07-09-325	CENTRE SLEEVE	2
24	340-08-00-335	R.H. WALKING BEAM	1

25	340-08-00-338	TANDEM SIDE ARM - REAR	2
26	340-08-00-337	TANDEM SIDE ARM - FRONT	2
27	340-08-00-341	ROCKER SLEEVE	4
28	340-08-00-527	WALKING BEAM GUSSET - REAR	4

29	340-08-00-528	WALKING BEAM GUSSET - FRONT	4
30	340-08-00-344	VERTICAL BRACE	4
31	340-08-00-339	L.H. TANDEM GUSSET	2
32	340-08-00-340	R.H. TANDEM GUSSET	2

33	340-12-03-533	ROCKER SLEEVE REINFORCING PLATE	2
34	340-08-00-342	SPINDLE SLEEVE	4
35	340-08-32-534	SPINDLE SLEEVE GUSSET - UPPER	8
36	340-08-32-535	SPINDLE SLEEVE GUSSET - LOWER	8

37	340-08-10-332	CALIPER MOUNTING PLATE	4
38	340-08-10-333	CALIPER PLATE STOP	8
39	340-08-10-334	CALIPER PLATE SUPPORT	8
40	340-09-00-336	L.H. WALKING BEAM	1

41	340-64-00-539	MAIN AXLE TUBE	1
42	340-63-00-538	STOP RING	1
43	340-00-00-346	RETAINING RING	1
44	340-00-00-347	TANDEM SPINDLE	4

<u>KEY</u>	<u>PART NUMBER</u>	<u>DESCRIPTION</u>	<u>QTY</u>
45	R07927	5/8 X 1-1/2 SQ.HD. SET SCREW	8
46	R20083	SEAL	4
47	R20086	INNER CONE	4
48	R20087	OUTER CONE	4

49	R20088	INNER CUP	4
50	R20089	OUTER CUP	4
51	R20091	SPINDLE WASHER 1-13/16"	4
52	R20092	SPINDLE NUT 1-3/4-12 UNF	4

53	R20093	DUST CAP	4
54	R20095	COTTER PIN 5/16" X 4"	4
55	R20096	WHEEL BOLTS	40
56	R20097	WHEEL NUTS 3/4" SPA-RAD	40

57	R07820	3/4-16 UNF FEDALLOY HEX NUT	*
58	R07834	3/4 FEDALLOY FLAT WASHER	*
59	R07690	DUST CAP BOLT 5/16 X 5/8	16
60	R20084	DUST CAP GASKET	4

61	R20011	USED 18 X 22.5 TRUCK TIRE	4
62	R20059	13.5 X 22.5 RIM - 10 BOLT	4
63	R07806	5/8 LOCK WASHER	1
64	R07653	5/8 X 6 HEX BOLT	1

65	R07786	5/8 HEX NUT	9

DISCHARGE PIPE

KEY	PART NUMBER	DESCRIPTION	QTY
1	358-32-00-000	DISCHARGE PIPE ASSY - 18000L	1
2	364-25-00-000	DISCHARGE PIPE END SECTION	1
3	364-21-00-000	SPLASH PLATE ASSY	1
4	359-30-00-108	HORIZONTAL DISCHARGE PIPE	1

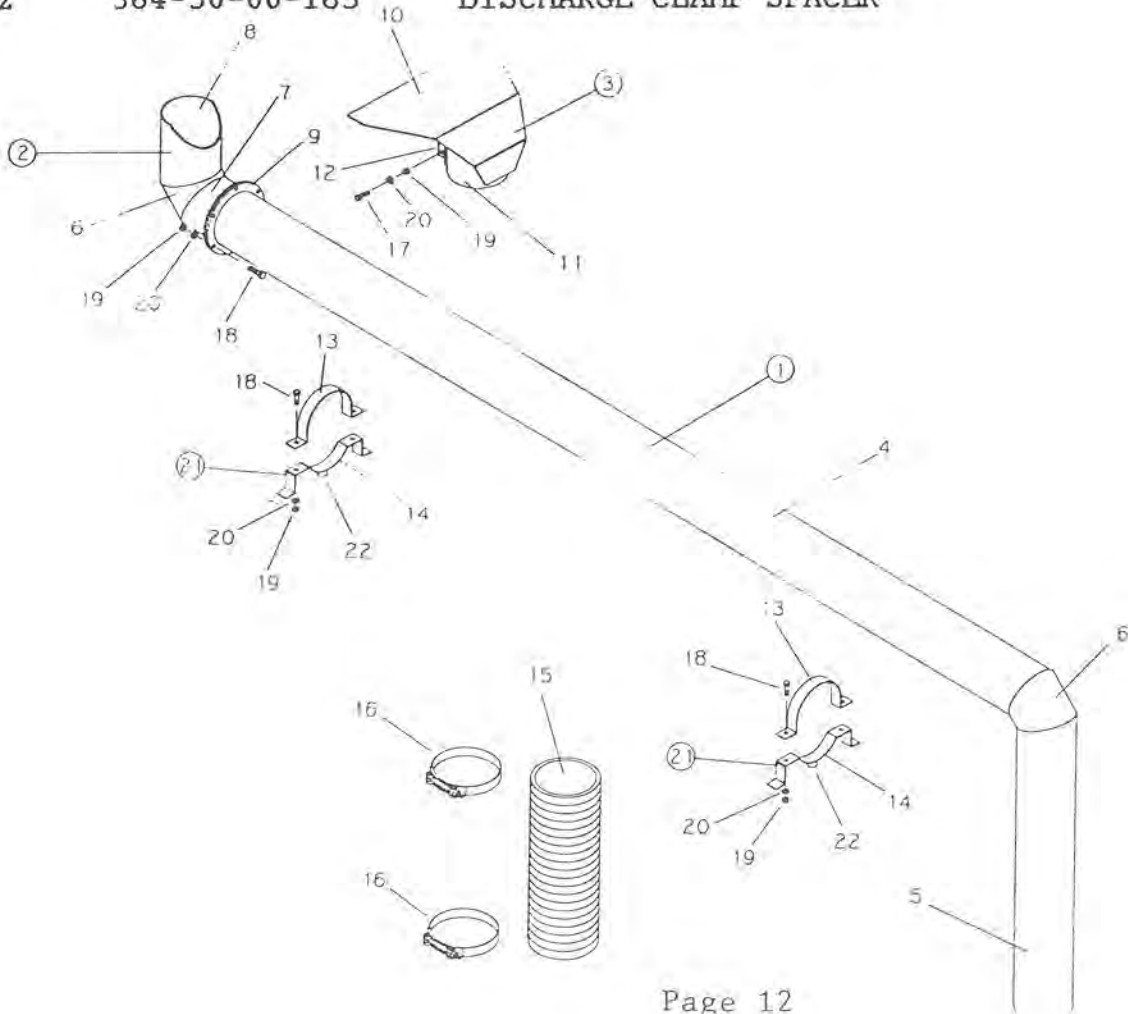
5	358-32-00-109	VERTICAL DISCHARGE PIPE	1
6	364-19-00-082	DISCHARGE PIPE CORNER PIECE	2
7	364-25-00-088	DISCHARGE PIPE FLANGE PIECE	1
8	364-25-00-067	DISCHARGE PIPE END PIECE	1

9	364-19-00-087	DISCHARGE PIPE FLANGE	2
10	364-21-00-069	SPLASH PLATE	1
11	364-21-00-070	CLAMPING TUBE	1
12	364-21-00-071	CLAMPING TUBE BRACKET	2

13	364-00-00-083	DISCHARGE CLAMP UPPER PIECE	2
14	364-50-00-084	DISCHARGE CLAMP BASE PIECE	2
15	364-00-00-066	FLEX HOSE	1
16	R02482	6" CLAMP	2

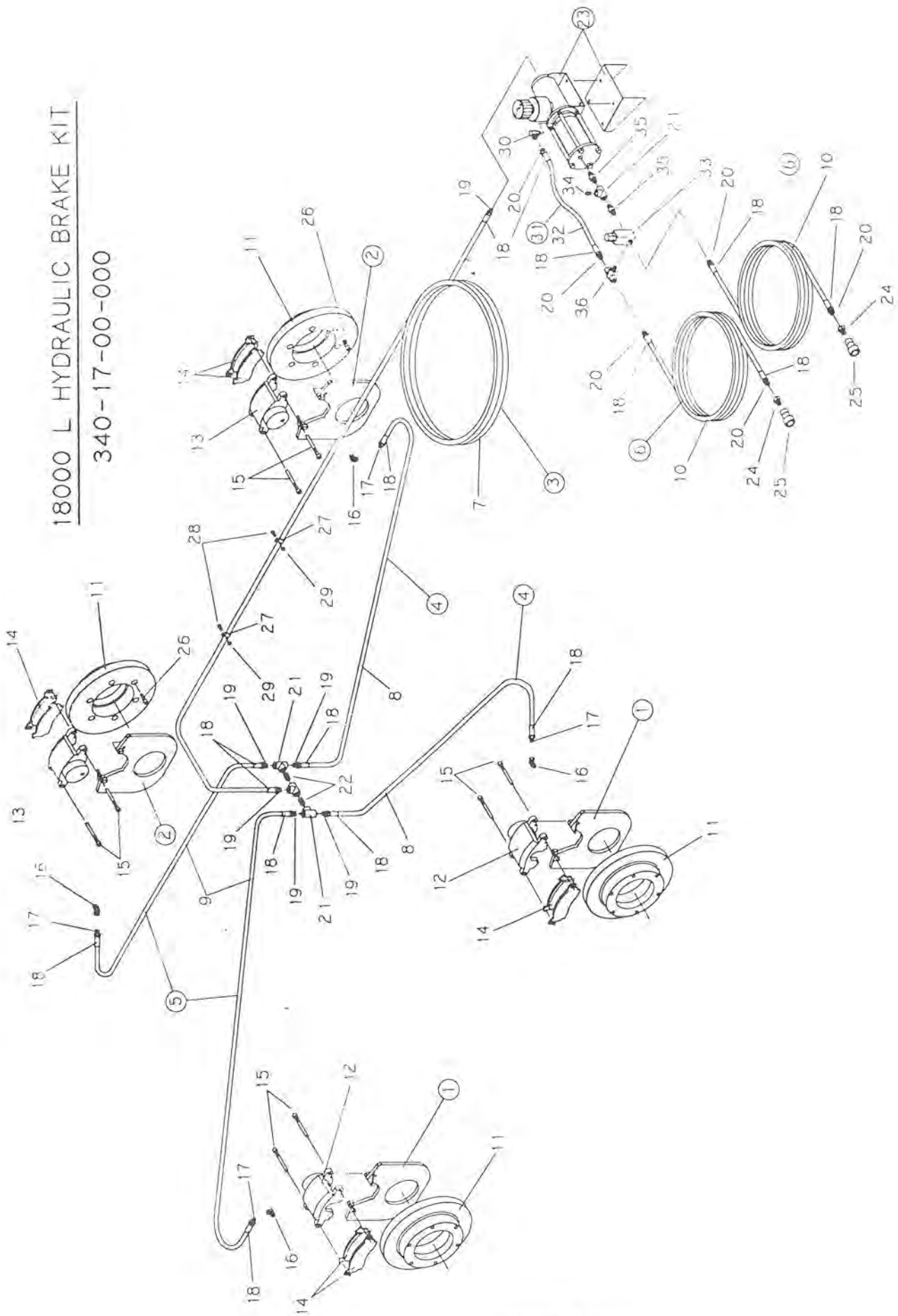
17	R07622	3/8 X 2-1/2 HEX BOLT	2
18	R07675	3/8 X 1-1/4 HEX BOLT	10
19	R07783	3/8 HEX NUT	12
20	R07803	3/8 LOCK WASHER	12

21	364-50-00-000	DISCHARGE CLAMP BASE ASSY	2
22	364-50-00-165	DISCHARGE CLAMP SPACER	2



18000 L HYDRAULIC BRAKE KIT

340-17-00-000



HYDRAULIC BRAKE KIT

KEY	PART NUMBER	DESCRIPTION	QTY
1	340-08-10-000	CALIPER MOUNTING PLATE ASSY - R.H.	2
2	340-09-29-000	CALIPER MOUNTING PLATE ASSY - L.H.	2
3	340-17-38-000	HYD. BRAKE HOSE ASSY - MAIN LINE	1
4	340-17-13-000	HYD. BRAKE HOSE ASSY - FRONT 18X22.5	2

	340-17-15-000	HYD. BRAKE HOSE ASSY - FRONT 28LX26	*
5	340-17-14-000	HYD. BRAKE HOSE ASSY - REAR 18X22.5	2
	340-17-16-000	HYD. BRAKE HOSE ASSY - REAR 28LX26	*
6	340-17-39-000	HYD. HOSE ASSY	2

7	340-17-38-544	HYD. HOSE - MAIN LINE	1
8	340-17-13-368	HYD. HOSE - FRONT 18X22.5	2
	340-17-15-390	HYD. HOSE - FRONT 28LX26	*
9	340-17-14-369	HYD. HOSE - REAR 18X22.5	2

	340-17-16-391	HYD. HOSE - REAR 28LX26	*
10	340-17-39-545	HYD. HOSE	2
11	R20098	CAST DISC BRAKE	4
12	R21065	R.H. BRAKE CALIPER TC500	2

13	R21066	L.H. BRAKE CALIPER TC501	2
14	R21067	BRAKE PADS (PAIR)	4
15	R21070	GUIDE PINS	8
16	R21308	45' 7/16 SAE X 1/4 NPT ADAPTOR	4

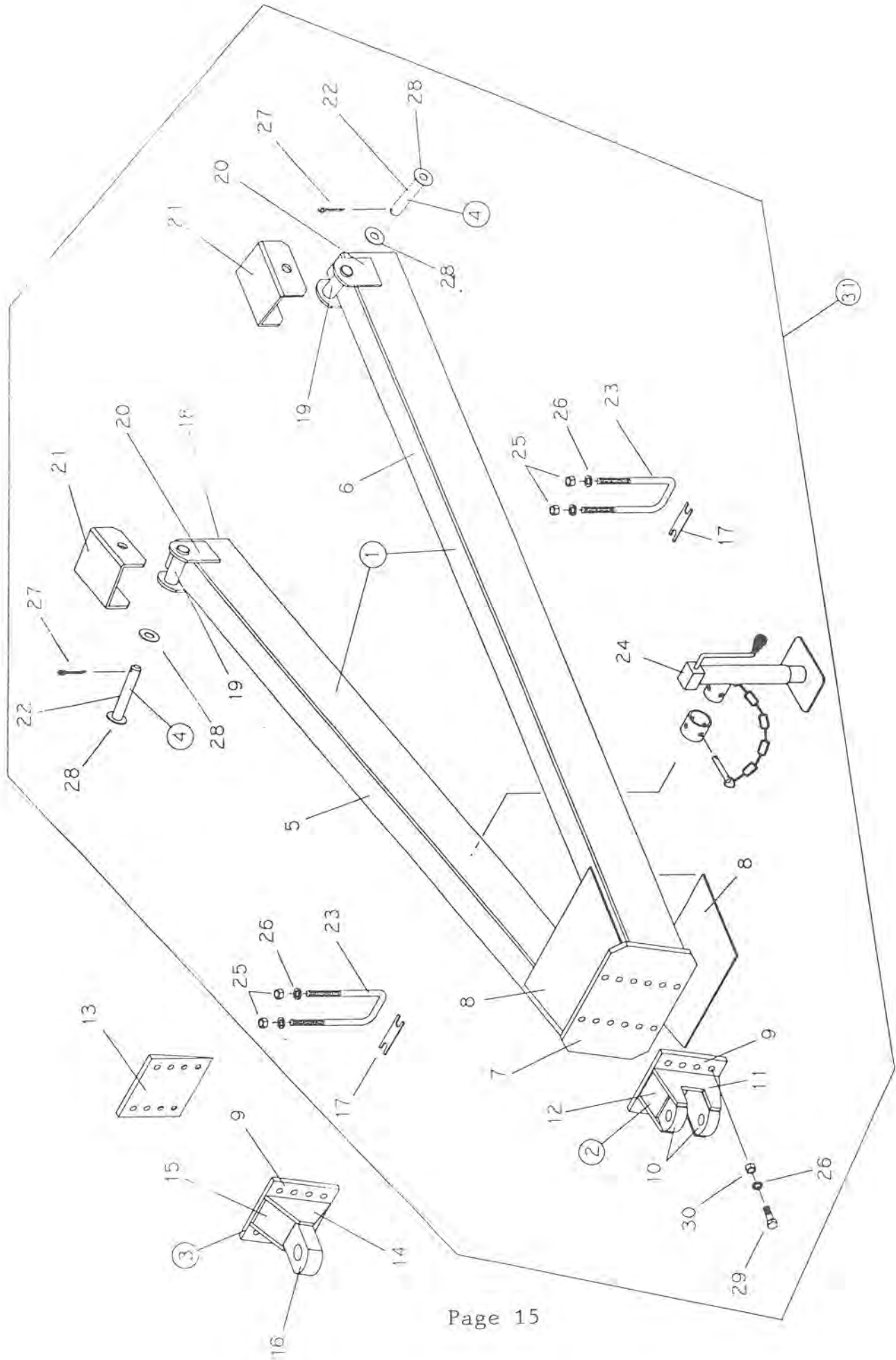
17	R20807	1/4-18 NPT SOLID MALE STEM	4
18	R21231	STEEL FERRULE (1/4" HOSE)	16
19	R20806	3/8-18 NPT SWIVEL MALE STEM	6
20	R20803	3/8-18 NPT SOLID MALE STEM	6

21	R02162	3/8 PIPE TEE	4
22	R02122	3/8 PIPE NIPPLE	2
23	312-06-00-000	MASTER CYLINDER KIT	1
24	R02043	1/2 X 3/8 BUSHING	2

25	R21342	PIONEER COUPLER	2
26	R07871	1/2-20 X 3 SOCKET HD. CAP SCREW	24
27	R21104	HYD. HOSE CLIPS	12
28	R07698	1/4 X 1/2 HEX BOLT	12

29	R07781	1/4 HEX NUT	12
30	R21334	1/4M X 3/8F X 90 DEG. SWIVEL ADAPTOR	1
31	312-06-05-000	HYDRAULIC HOSE ASSY	1
32	312-06-05-048	HYDRAULIC HOSE	1

33	R21201	RELIEF VALVE	1
34	R02151	3/8 PIPE PLUG	1
35	R21397	3/8 HYD NIPPLE	2
36	R21391	3/8 NPT SWIVEL TEE ADAPTOR	1



TONGUE ASSY

<u>KEY</u>	<u>PART NUMBER</u>	<u>DESCRIPTION</u>	<u>QTY</u>
1	358-42-00-000	TONGUE ASSY - 18000L	1
2	358-43-00-000	STANDARD HITCH ASSY	1
3	358-44-00-000	SINGLE POINT HITCH ASSY	*
4	315-39-00-000	LOCK PIN ASSY	2

5	358-42-00-135	R.H. TONGUE TUBE	1
6	358-42-00-136	L.H. TONGUE TUBE	1
7	358-42-00-137	HITCH BOLT PLATE	1
8	358-42-00-138	TONGUE TUBE GUSSET	2

9	358-43-00-139	HITCH BACK PLATE	1
10	358-43-00-140	HITCH PLATE	2
11	358-43-00-141	HITCH SIDE GUSSET	2
12	358-43-00-142	HITCH UPPER GUSSET	2

13	358-00-00-143	WEDGE PLATE	*
14	358-44-00-144	SIDE GUSSET	2
15	358-44-00-145	TOP GUSSET	2
16	364-26-00-091	SINGLE POINT HITCH	1

17	364-00-00-131	'U' BOLT SPACER	2
18	315-36-00-147	TONGUE TUBE END CAP	2
19	315-36-00-145	BUSHING	2
20	315-36-00-146	SIDE PIECE	4

21	315-31-00-115	TONGUE 'U' PIECE	2
22	315-39-00-155	LOCK PIN	2
23	R08172	3/4 NF X 10" 'U' BOLT	2
24	R09751	7000LB SIDE WIDE JACK	1

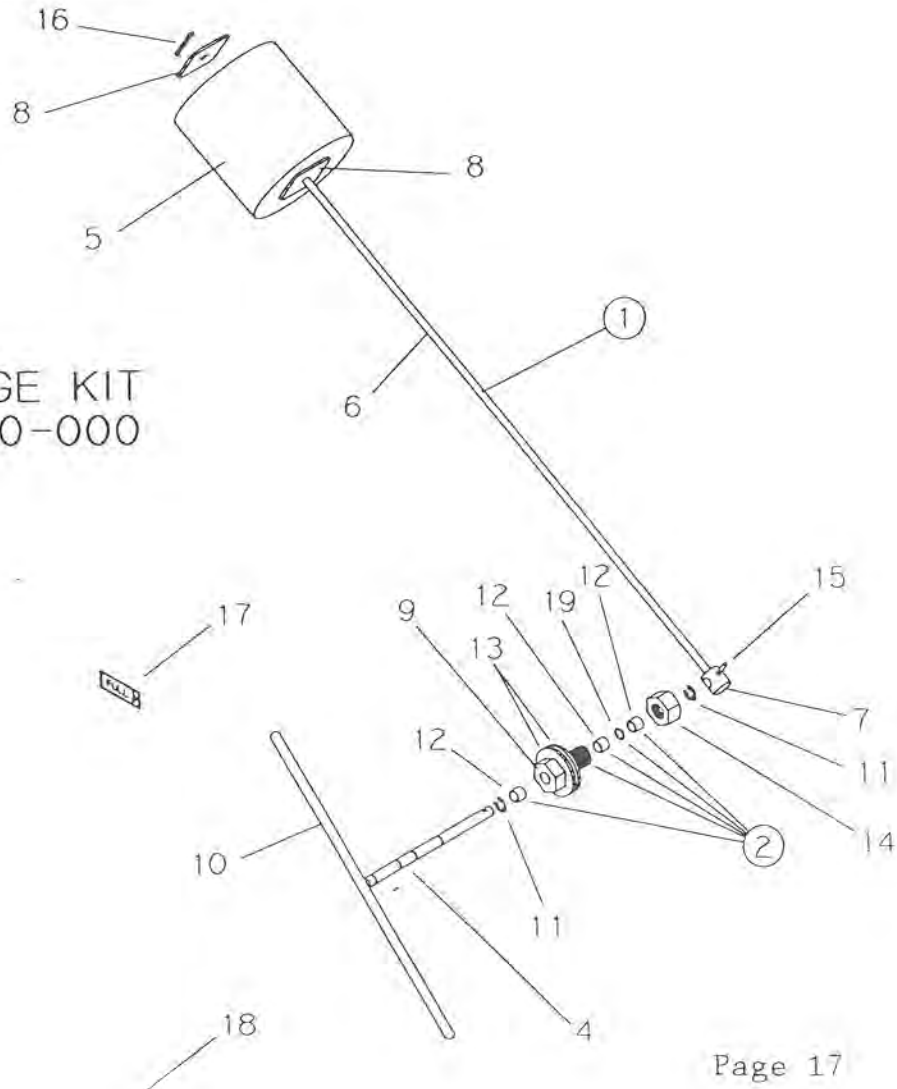
25	R07820	3/4" NF HEX NUT	4
26	R07807	3/4" LOCK WASHER	12
27	R08016	1/4 X 2 COTTER PIN	2
28	R07830	1 1/4" FLAT WASHER	4

29	R07655	3/4 X 2 1/2 HEX BOLT	8
30	R07787	3/4" UNC HEX NUT	8
31	358-57-00-000	TONGUE & HITCH KIT	1

SIGHT GAUGE KIT

<u>KEY</u>	<u>PART NUMBER</u>	<u>DESCRIPTION</u>	<u>QTY</u>
1	330-93-30-000	FLOAT ARM ASSY	1
2	330-93-31-000	BRONZE BRG HOLDER ASSY	1
3	330-93-32-000	INDICATOR ARM ASSY	1
4	330-93-32-374	CONNECTOR SHAFT	1
<hr/>			
5	330-93-00-375	FLOAT	1
6	330-93-30-376	FLOAT ARM	1
7	330-93-30-377	BOSS	1
8	330-93-30-378	FLOAT STRAPS	2
<hr/>			
9	330-93-31-379	BRONZE BEARING HOLDER	1
10	330-93-32-424	INDICATOR ARM	1
11	R07974	EXTERNAL RETAINING RING	2
12	R21173	1/2 X 5/8 X 1/2 BRONZE BUSHING	3
<hr/>			
13	R07828	1" FLAT WASHER	2
14	R07788	1" HEX NUT	1
15	R07950	3/16 X 1-1/4 ROLL PIN	1
16	R08021	1/8 X 1 S.S. COTTER PIN	1
<hr/>			
17	R09529	"FULL" STICKER	1
18	R09530	"EMPTY" STICKER	1
19	R20865	1/2 X 5/8 X 1/16 O-RING	1

SITE GAUGE KIT
330-93-00-000



SERIES CV PTO

KEY	PART NUMBER	DESCRIPTION	QTY
1	R22002	END YOKE - 540 RPM 1 3/8 6T SPLINE	1
	R22003	END YOKE -1000 RPM 1 3/8 21T SPLINE	*
2	R22004	CROSS & BRG KIT	2
3	R22005	DOUBLE YOKE	1

4	R22021	GREASE ZERK	1
5	R22006	INBOARD YOKE	1
6	R22007	SPRING PIN -10MM X 65MM LONG	2
7	R22008	INNER PROFILE -OVAL - 660 MM LONG	1

8	R22025	SCREW	8
9	R22009	CV CONE & BEARING ASSY	1
10	R22010	SHIELD CONE - 2 RIB	1
11	R22011	BEARING RING - SC 15	2

12	R22022	OUTER DECAL	1
13	R22012	OUTER SHIELD TUBE OVAL - 605 MM LONG	1
14	R22013	INNER SHIELD TUBE ROUND- 600 MM LONG	1
15	R22024	SAFETY CHAIN	1

16	R22014	SHIELD CONE - 4 RIB	1
17	R22015	OUTER PROFILE - 660 MM	1
18	R22016	INBOARD YOKE	1
19	R22023	INNER DECAL	1

20	R22017	CROSS & BEARING KIT	1
21	R22018	SHEAR BOLT CLUTCH - 1 3/8 6T SPLINE	1
22	R22019	COLLAR KIT	1
23	R22020	Q.D. PIN KIT	1

