

Office Copy

May 3, 2002

May 3- 16 made  
" 8- 7 "  
Aug 2 5 "  
Feb 28/03- 5 "  
May 2/03- 7 "  
July 21/04- 9 "  
Nov 30/04- 8 "

Date Purchased \_\_\_\_\_ Machine Serial No. \_\_\_\_\_

Size of Spreader \_\_\_\_\_ Options \_\_\_\_\_

Please order parts by number

18000L MODEL "E"

HUSKY LIQUID MANURE SPREADER

OPERATING INSTRUCTIONS:

1. Heed all warnings.
2. Minimum HP requirements to safely operate on level terrain, on hilly terrain HP should be increased.
 

4500L .....	70 HP
7000L .....	85 HP
9000L .....	95 HP
12000L .....	110 HP
14000L .....	130 HP
15000L .....	140 HP
18000L .....	160 HP
23000L .....	200 HP
28000L .....	250 HP
3. If machine is equipped with hydraulic brakes that are operated from the tractor hydraulics, they will not work should the tractor motor stop.
 

Inspect brakes before each use. Brakes must be bled before initial use unless installed at factory.

When releasing brakes the tractor hydraulic lever must be put in the opposing position to release pressure. Do not put in float position they will not release.
4. Tractor PTO spline must be approximately 14" (355 mm) from end of compressed PTO for proper adjustment.
5. Hitch tanker to tractor with minimum of 1" (25mm) hardened hitch pin with a safety lock. Use 10,000 Lbs safety chain from spreader to tractor.
6. Do not use tongue jack stand to support loaded spreader. Put jack in storage position before using.
7. When hooking PTO to tractor make sure motor is stopped. Make sure QD (Quick Disconnect) safety locking pin is in locked position before using.
8. Clean off hose ends before plugging into tractor hydraulics. If spreader is equipped with hydraulic drive on spreading attachment, make sure tractor has sufficient oil flow and pressure to maintain satisfactory spread pattern, if not use another tractor.



OPERATING INSTRUCTIONS continued:

9. After using spreader in freezing conditions make sure impeller housing is drained.
10. Wash tank inside and out each time work is finished. This will increase life of tank by many years. See item 6 of Safety instructions.
11. Do not drive on public roads after dusk unless equipped with lights required by Department of Transportation in your area.
12. Remove wheels annually and grease wheel bearings.
13. Because manure smells, many farmers have made unfriendly neighbours. If in a residential area a manure injector is a recommended option to bury the smell.
14. Much of the fertilizer value of manure is lost when exposed to air. Getting the manure covered quickly is a very important part of spreading manure.
15. If rustproof coating on interior shows signs of deterioration, have interior repainted. This can be done with a roller or brush. This helps to increase the life of your spreader. It is a valuable maintenance procedure.

SAFETY INSTRUCTIONS:

Do not operate this machine until you fully understand the safe operating practices.

1. Make sure all moving parts are shielded to prevent coming in contact with loose clothing.
2. Keep children clear, do not let children or anyone ride on the spreader at anytime.
3. Do not support loaded spreader on tongue jack.
4. Keep tire pressure to recommended pressure at all times. Recommended tire pressure being:

		Lbs	KPA
40 x 14	Airplane Tires	55	379
44 x 16	Airplane Tires	55	379
47 x 18 x 18	Airplane Tires	55	379
50 x 20 x 20	Airplane Tires	55	379
16.5L x 16.1	Implement Tires	35	241
21.5L x 16.1	Implement Tires	35	241
18.4L x 26	Turf Tires	26	180
28L x 26	Turf Tires	24	166
30.5L x 32	Turf Tires	24	166
35.5L x 32	Turf Tires	32	220
23.5L x 25	Loader Dozer Tires	55	379
18L x 22.5	Truck Tires	65	448

1 Lb = 6.8947 KPA

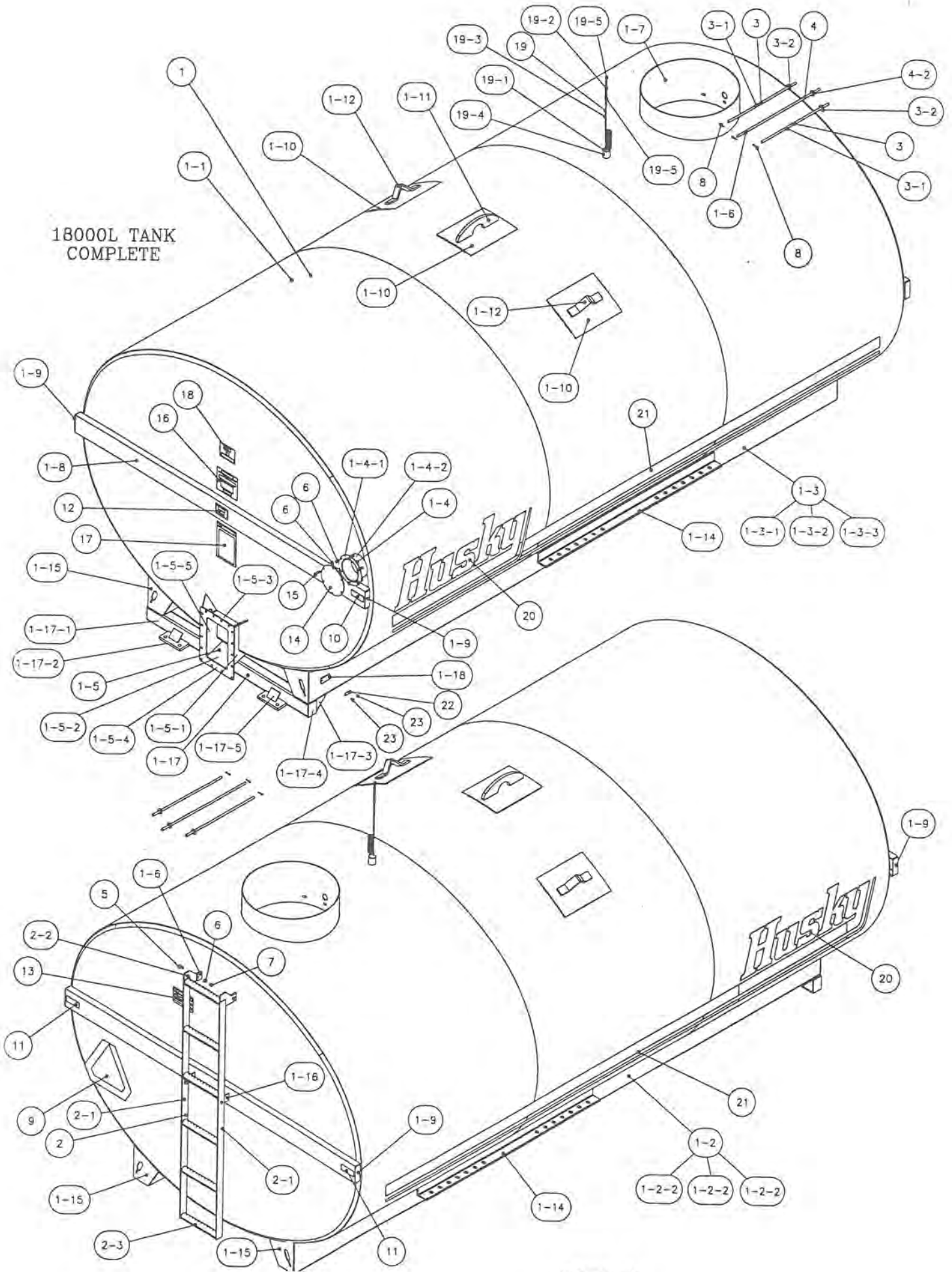
5. Keep wheel bolts torqued to recommended torque at all times.

Wheel Bolt Size	Torque Dry	Ft./Lbs. Oiled	Torque Dry	Meter/Kg Oiled
9/16 - 18 NF	190	145	26.28	20.06
5/8 - 18 NF	270	205	37.34	28.35
3/4 - 16 NF	470	360	65.01	49.79

(Check Daily)

6. Never enter a tanker without special breathing equipment to supply oxygen. Manure gases can kill instantly. One breath of Hydrogen Sulphide can kill.
7. When looking up or repairing hydraulic hoses always wear safety glasses and relieve pressure to avoid getting oil in eyes.
8. Caution - disc brakes will not release unless valve lever is held momentarily in opposite position. This will relieve pressure in brake line. Do not put in float position, they will not release.

18000L TANK COMPLETE



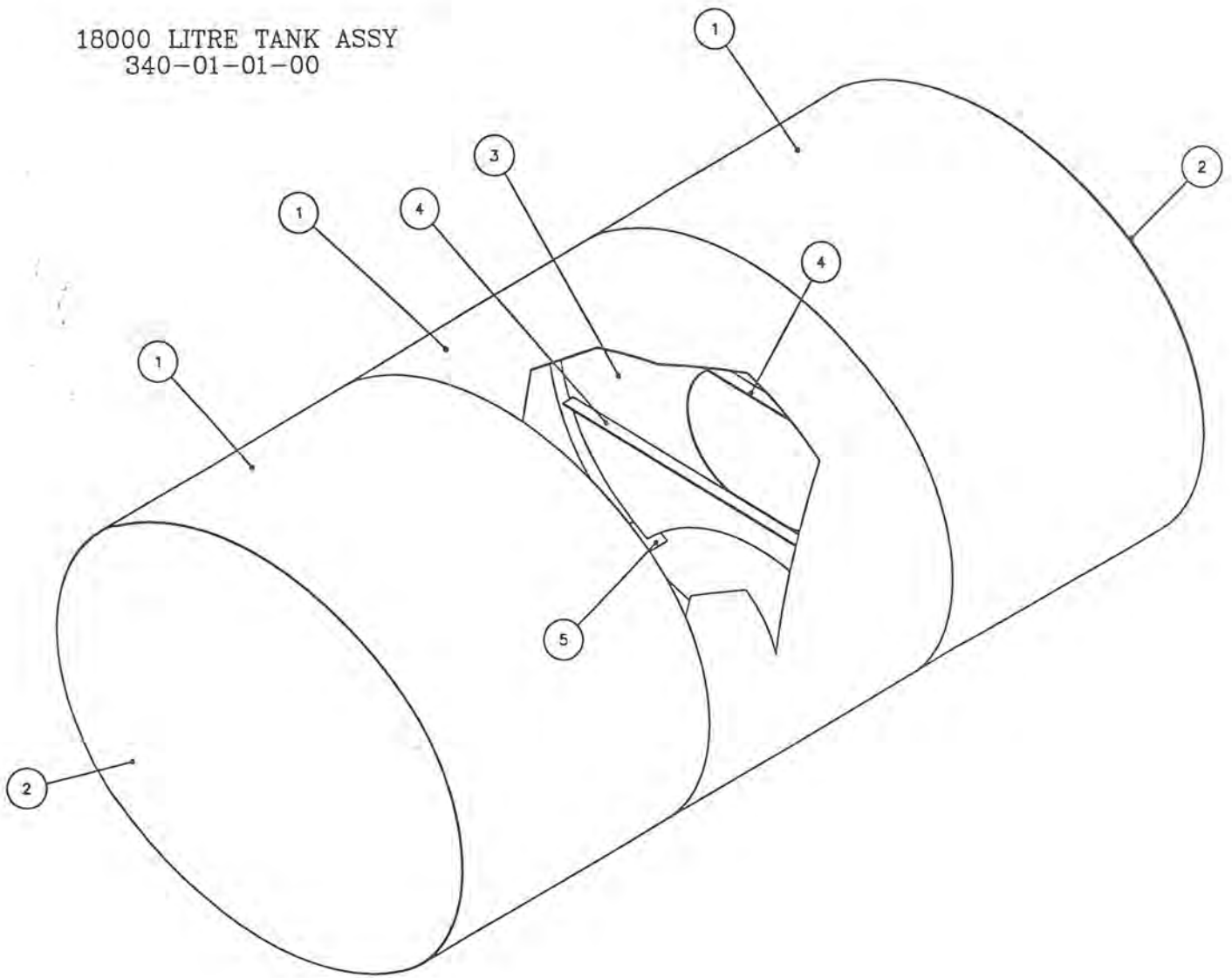
## 18000L TANK COMPLETE

Item	Name	Description	Qty
1	358-31-00-000	18000L TANK AND SILL ASSY	1
1-1	340-01-01-000	18000L TANK ASSY	1
1-2	340-01-02-000	RH SILL ASSY	1
1-2-1	340-01-02-303	18000L SILL	1
1-2-2	340-01-02-304	SILL REINFORCING PLATE	1
1-2-3	340-01-02-305	SILL STIFFENER	4
1-3	340-01-03-000	LH SILL ASSY	1
1-3-1	340-01-02-303	18000L SILL	1
1-3-2	340-01-02-304	SILL REINFORCING PLATE	1
1-3-3	340-01-02-305	SILL STIFFENER	4
1-4	330-20-03-000	ACCESS TUBE ASSY	1
1-4-1	330-20-03-560	ACCESS TUBE FLANGE	1
1-4-2	330-20-03-556	ACCESS TUBE	1
1-5	364-82-00-000	FLANGED TANK OUTLET ASSY	1
1-5-1	364-82-00-396	LH OUTLET SIDE PC	1
1-5-2	364-01-03-105	OUTLET BOTTOM PC	1
1-5-3	364-01-03-104	OUTLET TOP PC	1
1-5-4	364-81-02-393	FLANGE	1
1-5-5	364-82-00-395	RH OUTLET SIDE PC	1
1-6	364-95-00-327	LADDER TANK LUG	2
1-7	364-02-00-006	MANHOLE	1
1-8	340-01-06-312	TANK END STIFFENER	2
1-9	340-01-06-464	STIFFENER CAP	4
1-10	340-01-00-546	REINFORCING PLATE	3
1-11	340-01-00-555	HEAVY DUTY LIFT HOOK	1
1-12	300-01-00-012	LIFT HOOK	2
1-13	364-02-00-008	LADDER RUNG	4
1-14	364-02-00-280	AXLE ADJUSTMENT ANGLE	2
1-15	340-01-06-311	SILL CAP	4
1-16	364-00-00-414	LOWER TANK LADDER LUG	2
1-17	357-60-00-000	CROSS MEMBER ASSY-28L TIRES W/ DROP AXLE	1
1-17-1	357-60-00-290	CROSS MEMBER	1
1-17-2	357-28-00-168	TONGUE STRAP	2
1-17-3	357-60-00-292	DOUBLE GUSSET	2
1-17-4	357-60-00-291	END CAP	2
1-17-5	364-02-17-123	TONGUE STRAP GUSSET	2
1-18	340-01-00-498	SERIAL NUMBER PLATE	1
2	364-95-00-000	LADDER ASSY	1
2-1	364-95-00-325	LADDER SIDE	2
2-2	364-95-00-326	LADDER LUG	2
2-3	364-95-00-324	LADDER STEP	6
3	364-47-00-000	MANHOLE SAFETY BAR ASSY	2
3-1	364-47-00-155	SHORT MANHOLE SAFETY BAR	2
3-2	R08320	1/2" S.S. FLAT WASHER	2
4	364-49-00-000	LONG MANHOLE SAFETY BAR ASSY	1
4-1	364-49-00-164	LONG MANHOLE SAFETY BAR	1
4-2	R08320	1/2" S.S. FLAT WASHER	1

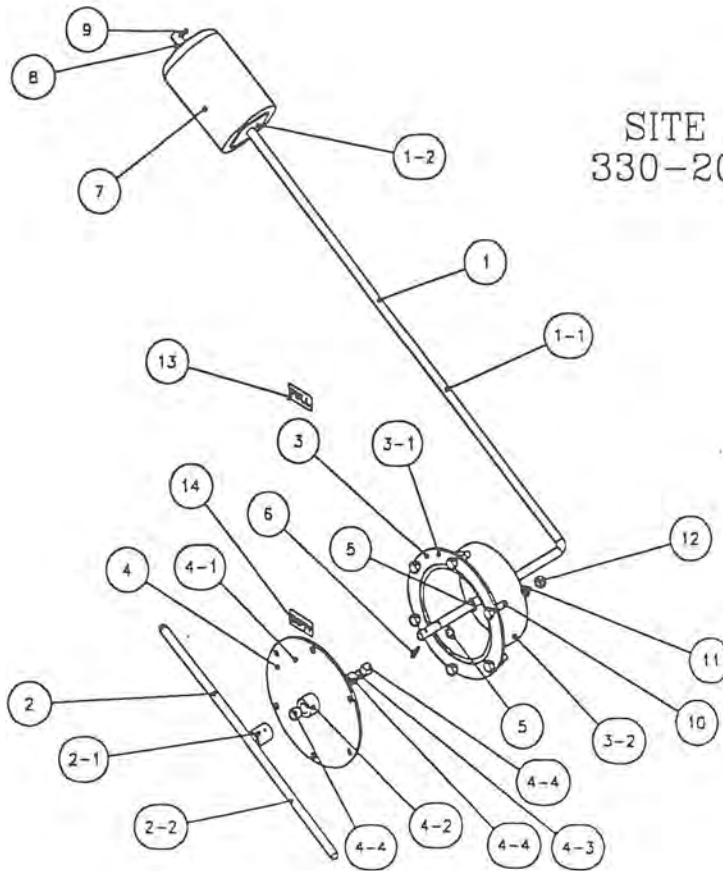
Item	Name	Description	Qty
5	R07619	3/8 X 1" HEX BOLT	4
6	R07803	3/8" LOCK WASHER	10
7	R07783	3/8" HEX NUT	10
8	R08207	5/32 X 1 1/2" S.S. COTTER PIN	3
9	R09501	SLOW MOVING VEHICLE SIGN	1
10	R10097	AMBER REFLECTOR	1
11	R10096	RED REFLECTOR	2
12	R09512	"CAPACITY" DECAL	1
13	R09784	"DANGER TOXIC GAS" DECAL	1
14	330-00-00-559	ACCESS TUBE COVER PLATE	1
15	R07620	3/8 X 1 1/2" HEX BOLT	6
16	R09730	"TIRE PRESSURE" DECAL	1
17	R09783	"CAUTION" DECAL	1
18	R09509	"MADE IN CANADA" DECAL	1
19	340-62-00-000	HUSKY FLAG KIT	1
19-1	340-00-00-536	FLAG SPRING HOLDER	1
19-2	340-62-00-553	INDICATOR HOSE	1
19-3	R08037	FLAG SPRING	1
19-4	R07926	5/16-18 S.S. SET SCREW	1
19-5	R08163	CLIP	2
20	R09510	"HUSKY" DECAL	2
21	R09511	ACCENT STRIPE	2
22	R09071	SERIAL NUMBER	1
23	R08152	#6 X 1/4" PAN HEAD SCREW	2



18000 LITRE TANK ASSY  
340-01-01-00



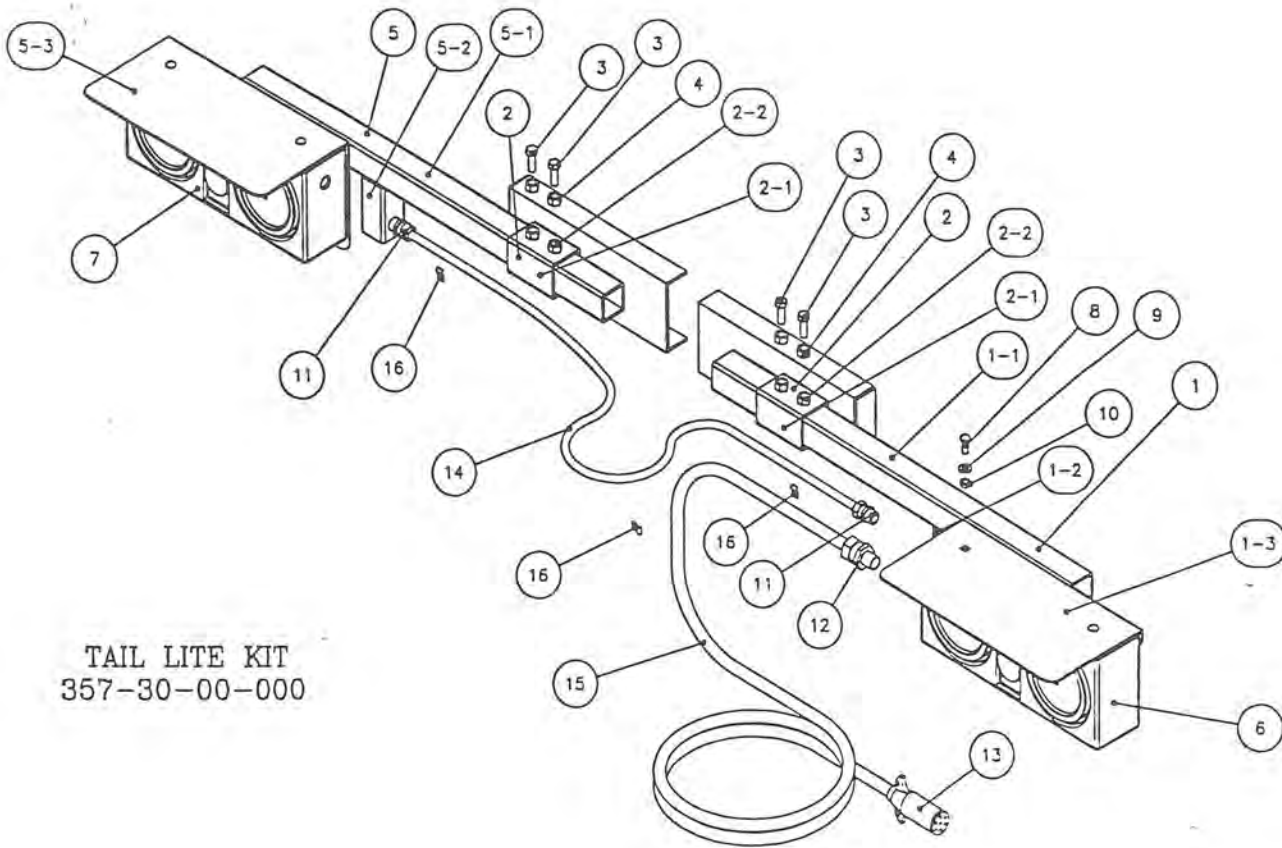
18000 L TANK ASSY			
Item	Name	Description	Qty
1	340-01-01-301	TANK SHELL	3
2	340-01-01-300	18000L FLANGED TANK END	2
3	340-01-01-302	18000L FLANGE TANK BAFFLE	2
4	340-01-01-557	18000L BAFFLE REINFORCING BAR	4
5	340-01-01-559	BAFFLE REINFORCING PLATE	4



SITE GAUGE  
330-20-00-000

SITE GAUGE 330-20-00-000			
Item	Name	Description	Qty
1	330-20-01-000	FLOAT ARM ASSY	1
1-1	330-20-01-551	FLOAT ARM	1
1-2	330-20-01-552	FLOAT STRAP	1
2	330-20-02-000	INDICATOR ARM ASSY	1
2-1	330-20-02-553	INDICATOR ARM HUB	1
2-2	330-20-02-554	INDICATOR ARM	1
3	330-20-03-000	ACCESS TUBE ASSY	1
3-1	330-20-03-560	ACCESS TUBE FLANGE	1
3-2	330-20-03-556	ACCESS TUBE	1
4	330-20-04-000	COVER PLATE ASSY	1
4-1	330-20-00-557	COVER PLATE	1
4-2	330-20-04-562	BRONZE BEARING HOLDER	1
4-3	R20865	O-RING #11-014	1
4-4	R21173	1/2 X 5/8 X 1/2" BRONZE BEARING	3
5	R07974	EXTERNAL RETAINING RING	2
6	R08241	3/16 X 1" S.S. ROLL PIN	1
7	330-93-00-375	FLOAT	1
8	330-20-01-552	FLOAT STRAP	1
9	R08001	5/32 X 1" S.S. COTTER PIN	1
10	R07675	3/8 X 1 1/4" HEX BOLT	6
11	R07803	3/8" LOCK WASHER	6
12	R07783	3/8" HEX NUT	6
13	R09529	"FULL" DECAL	1
14	R09530	"EMPTY" DECAL	1

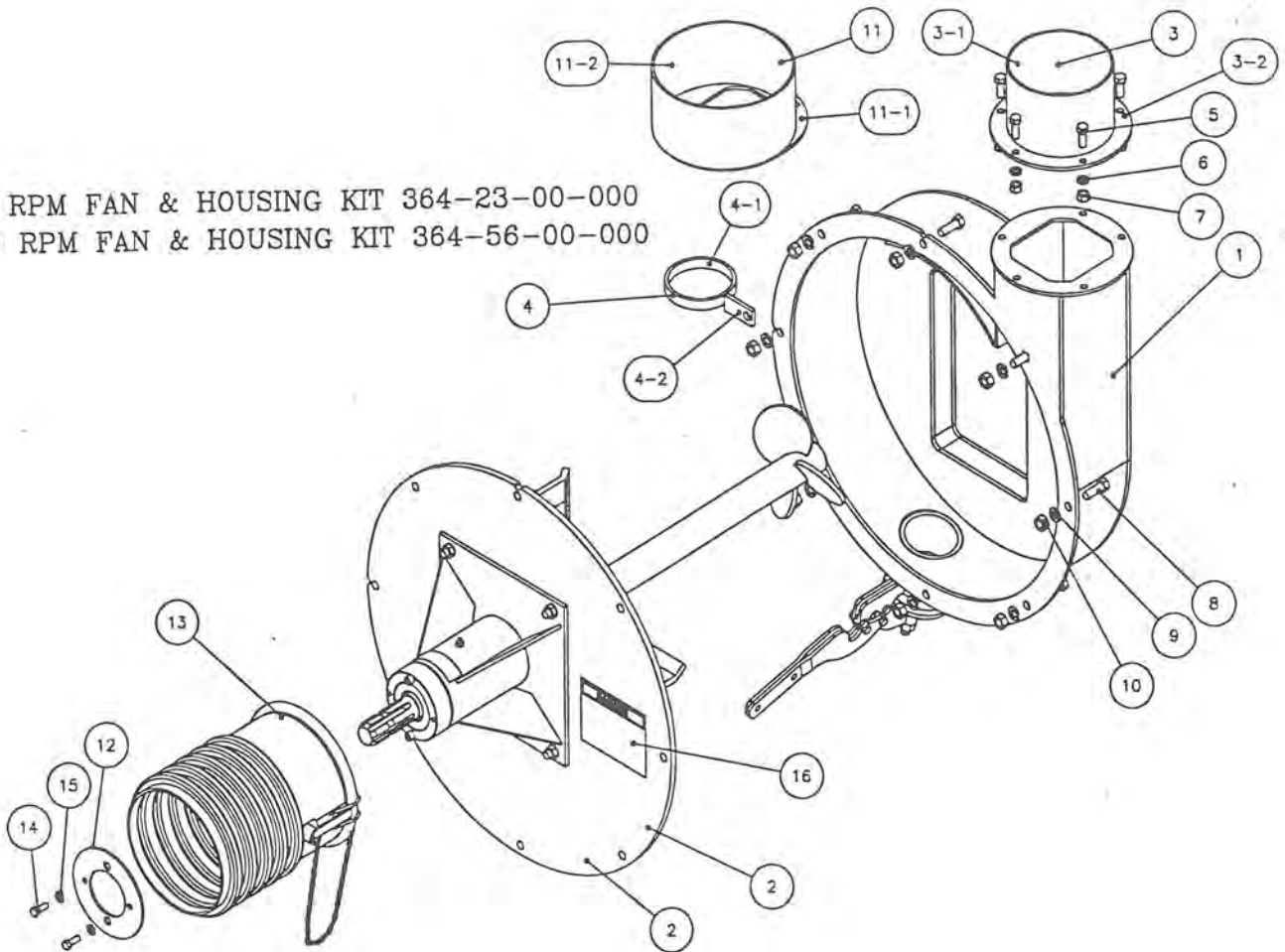




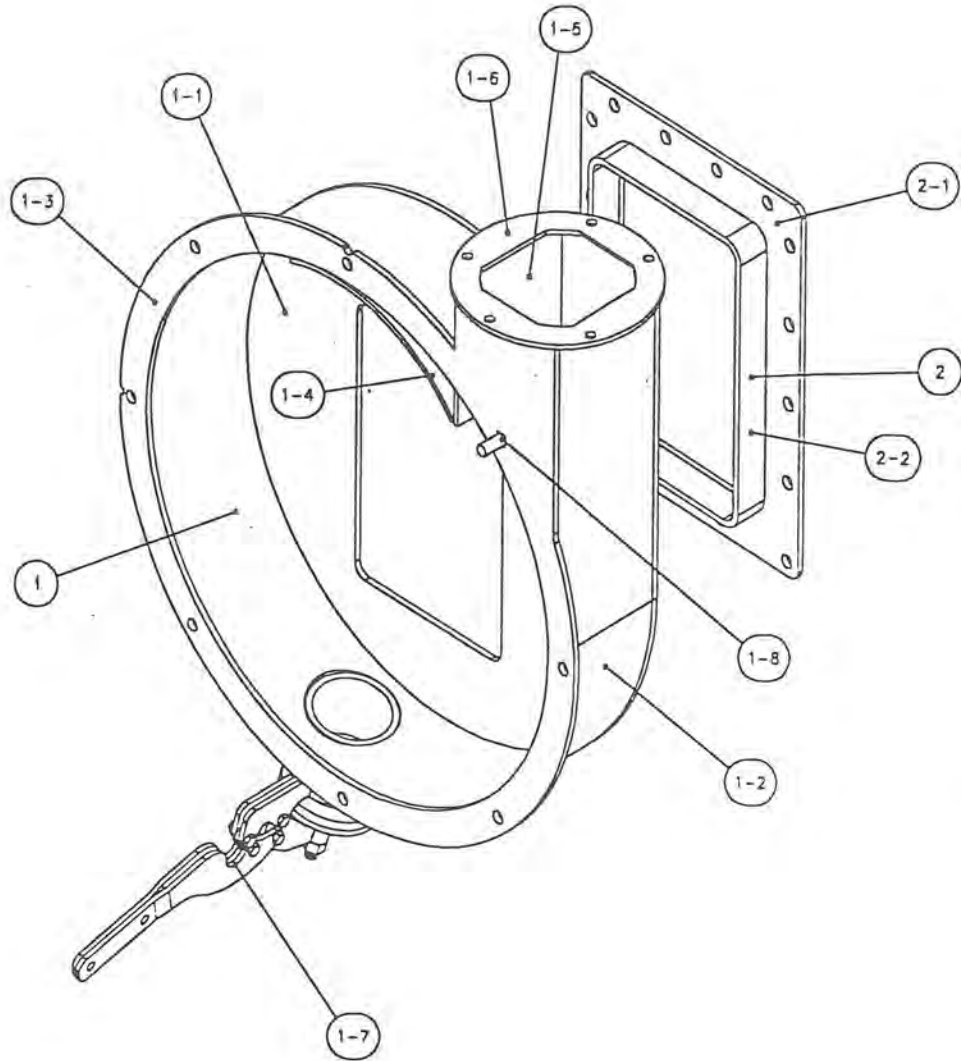
TAIL LITE KIT  
357-30-00-000

TAIL LITE KIT 357-30-00-000			
Item	Name	Description	Qty
1	357-30-01-000	RH LITE BAR ASSY	1
1-1	357-30-01-171	LITE BAR	1
1-2	357-30-01-173	STUB BAR	1
1-3	357-30-01-172	RH LITE BOLT PLATE	1
2	357-30-03-000	MOUNT BRKT ASSY	2
2-1	357-30-03-174	MOUNT BRKT	2
2-2	R07785	1/2" HEX NUT	4
3	R07671	7/16 X 1 1/4" HEX BOLT	4
4	R07785	1/2" HEX NUT	4
5	357-30-02-000	LH LITE BAR ASSY	1
5-1	357-30-01-171	LITE BAR	1
5-2	357-30-01-173	STUB BAR	1
5-3	357-30-02-245	LH LITE BOLT PLATE	1
6	R10349	2 LAMP LITE BAR FR LENS RH	1
7	R10348	2 LAMP LITE BAR FR LENS LH	1
8	R07721	3/8 X 1" CARRIAGE BOLT	4
9	R07823	3/8" FLAT WASHER	4
10	R07794	3/8" FLANGE NUT	4
11	R10193	1/2" NYLON TITE CONNECTOR	2
12	R10357	3/4" NYLON TITE CONNECTOR	1
13	R10095	7 POLE CONNECTOR	1
14	R04046	4-WIRE TRAILER CABLE-APROX 4 METERS REQ'D	1
15	R04235	14/6 TRAILER CABLE-APROX 10.5 METERS REQ'D	1
16	R21104	CLIPS	12
17	R11114	MAR CONNECTORS-NOT SHOWN IN DRAWING	12

540 RPM FAN & HOUSING KIT 364-23-00-000  
 1000 RPM FAN & HOUSING KIT 364-56-00-000

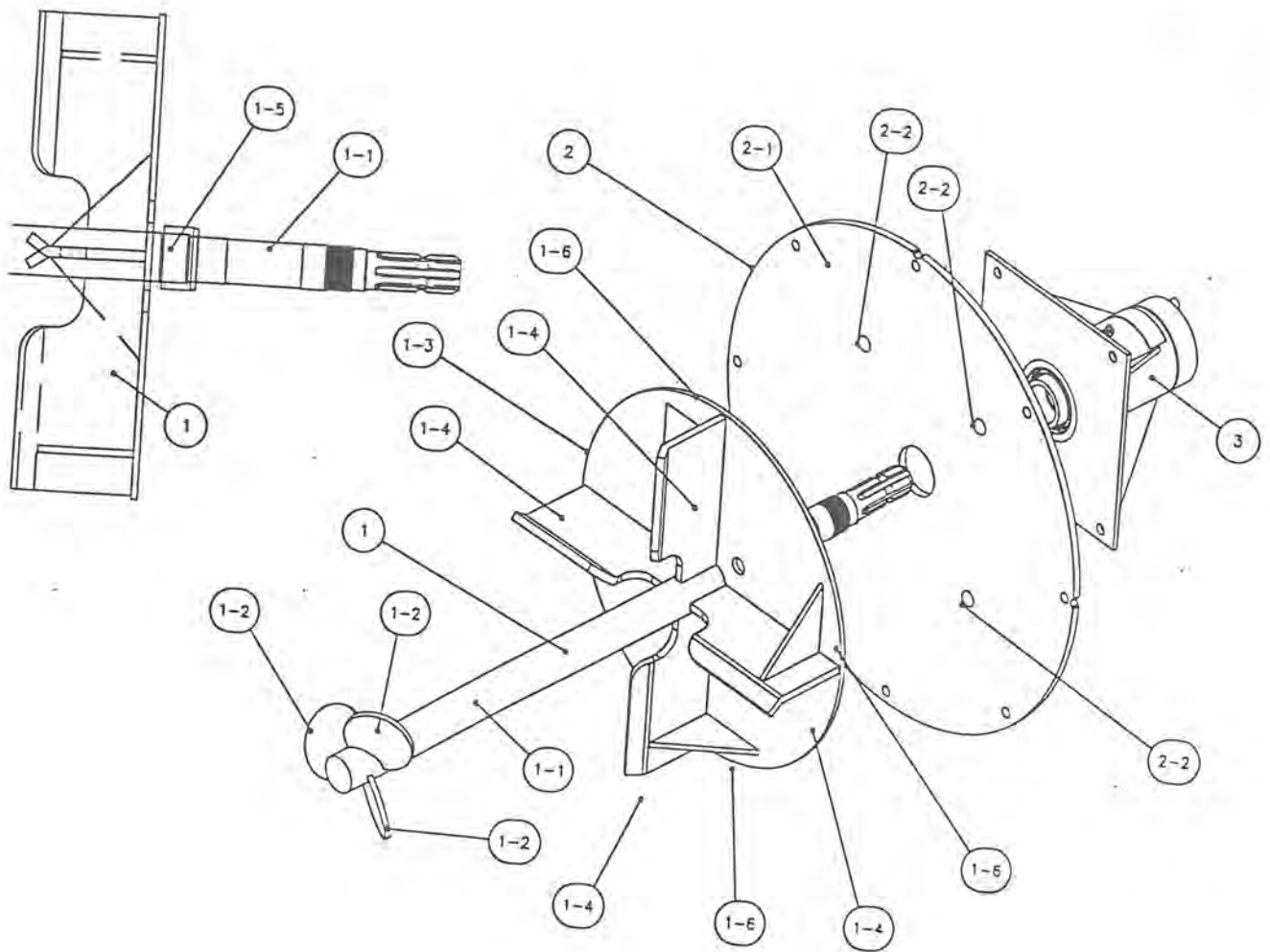


FAN AND HOUSING KIT			
Item	Name	Description	Qty
1	364-81-00-000	FAN HOUSING ASSY COMPLETE	1
2	364-65-00-000	540 RPM FAN,COVER PLATE & BRG KIT	1
2	364-66-00-000	1000 RPM FAN,COVER PLATE & BRG KIT	1
3	364-31-00-000	HOSE TUBE ASSY 6"	1
3-1	364-01-03-063	DISCHARGE TUBE	1
3-2	364-01-03-376	6" DISCHARGE RING	1
4	364-41-00-000	PTO HOLDER ASSY	1
4-1	364-41-00-132	PTO HOLDER	1
4-2	364-41-00-133	PTO HOLDER BRKT	1
5	R07619	3/8 X 1 HEX BOLT	5
6	R07803	3/8" LOCK WASHER	5
7	R07783	3/8" HEX NUT	5
8	R07671	7/16 X 1 1/4" HEX BOLT	7
9	R07804	7/16" LOCK WASHER	8
10	R07784	7/16" NYLOC HEX NUT	8
11	358-92-01-000	8" HOSE TUBE ASSY (NOT INCLUDED IN KIT)	1
11-1	358-92-01-301	DISCHARGE RING	1
11-2	358-92-01-302	8" DISCHARGE TUBE	1
12	364-00-00-448	GUARD SUPPORT	1
13	R22196	PLASTIC PTO GUARD KIT	1
14	R07611	5/16 X 1" HEX BOLT	2
15	R07802	5/16" LOCK WASHER	2
16	R09785	"DANGER" DECAL	1

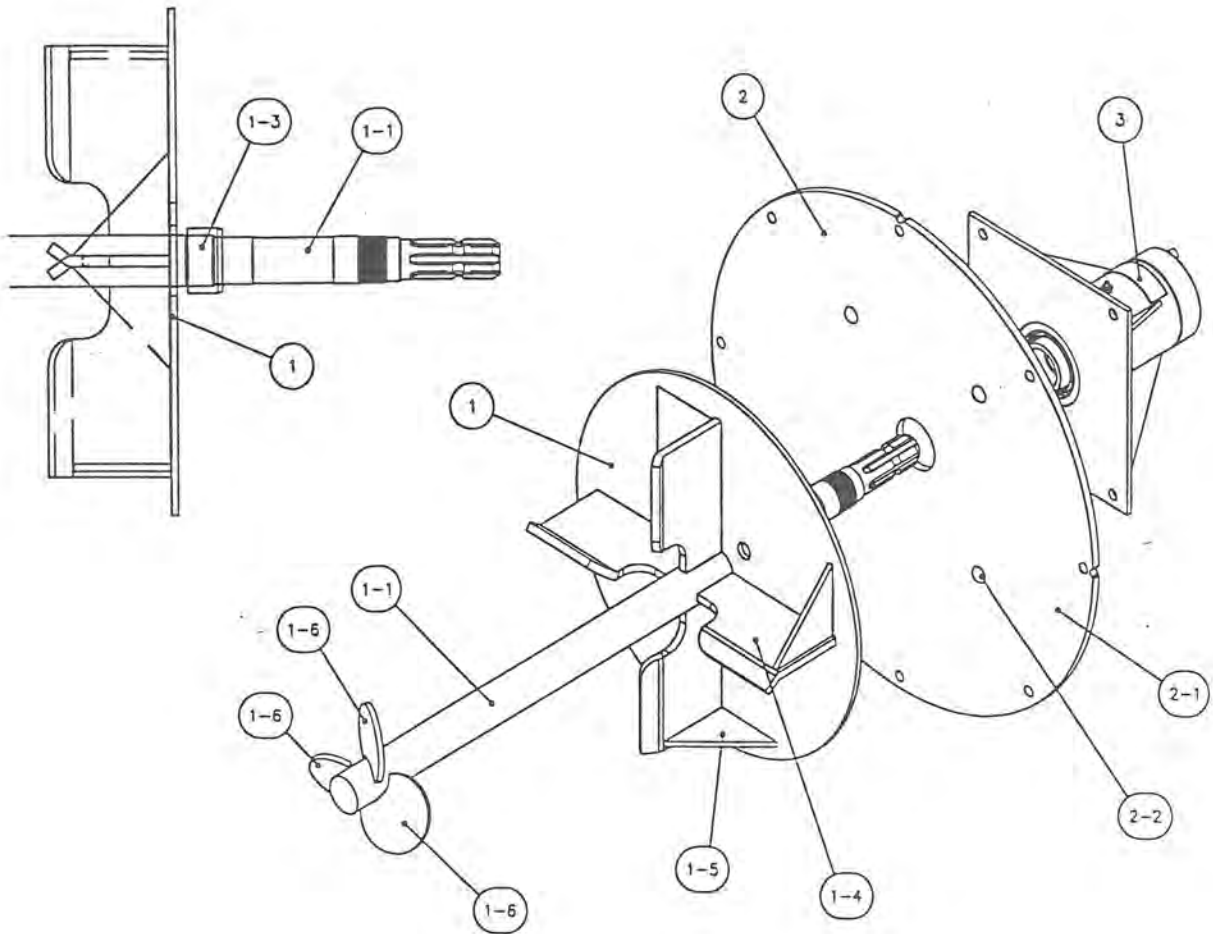


### FAN HOUSING ASSY COMPLETE 364-81-00-000

Item	Name	Description	Qty
1	364-81-01-000	FAN HOUSING ASSY LESS FLANGE	1
1-1	364-01-03-106	HOUSING BACK PLATE	1
1-2	364-01-03-018	HOUSING BAND	1
1-3	364-01-03-019	HOUSING FLANGE	1
1-4	364-01-03-156	HOUSING BAND AID	1
1-5	364-01-03-081	FAN HOUSING VERTICAL PC	1
1-6	364-01-03-376	6" DISCHARGE RING	1
1-7	364-62-00-000	DRAIN PLUG KIT	1
1-8	R07732	7/16 X 1 1/4" CARRIAGE BOLT	1
2	364-81-02-000	HOUSING INLET FLANGE ASSY	1
2-1	364-81-02-393	HOUSING FLANGE	1
2-2	364-81-02-424	INLET EXTENSION TUBE	1

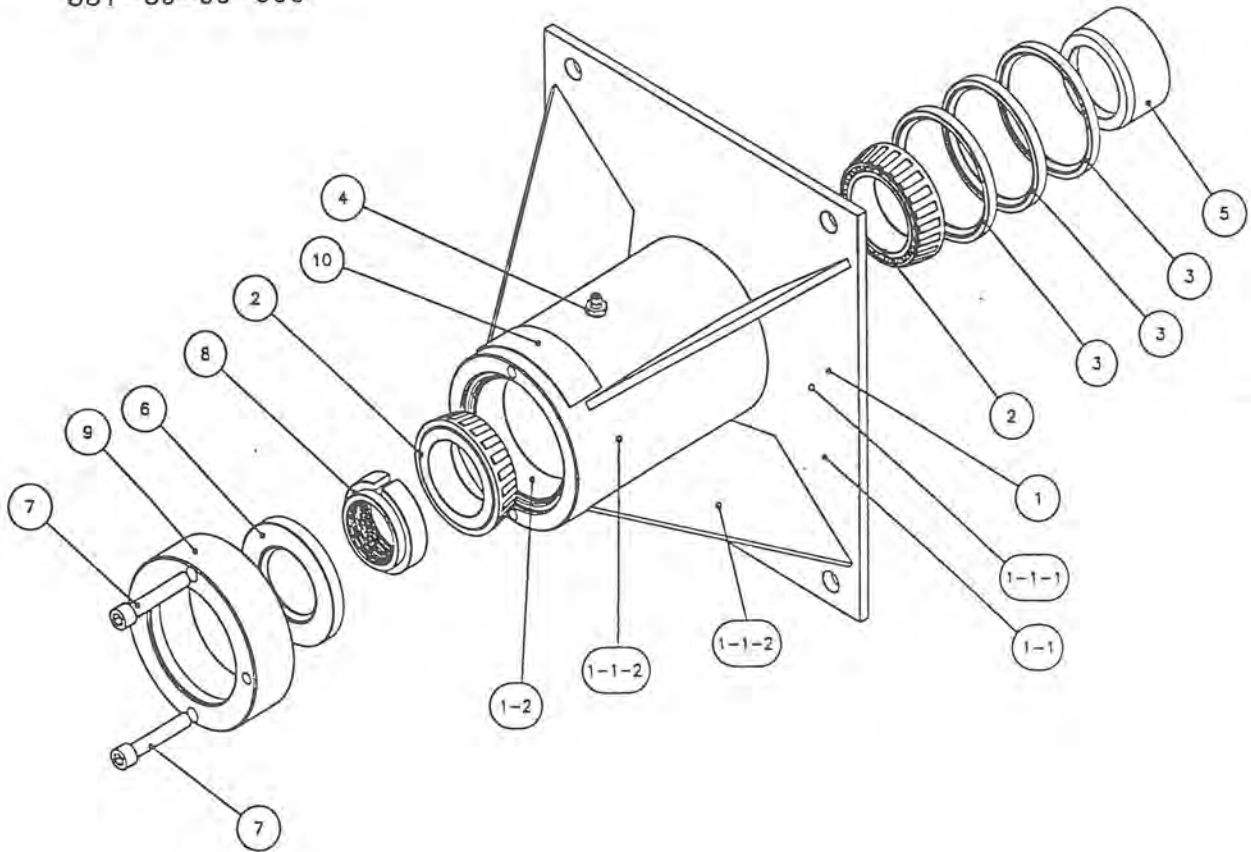


540 RPM FAN, COVER PLATE & BRG KIT 364-65-00-000			
Item	Name	Description	Qty
1	364-72-00-000	540 FAN, SHAFT & AGITATOR ASSY	
1-1	364-72-00-226	FAN SHAFT	1
1-2	364-72-00-227	AGITATOR BLADE	1
1-3	364-63-00-209	IMPELLER BACK PLATE	3
1-4	364-63-00-208	CHT 540 RPM FAN BLADE	1
1-5	R20238	HARDENED SEAL SLEEVE	4
1-6	364-72-00-422	FAN BLADE GUSSET	1
2	364-67-00-000	COVER PLATE ASSY	4
2-1	364-67-00-211	HOUSING COVER PLATE	1
2-2	R07774	7/16 X 1 1/4" GR 5 CARRIAGE BOLT	1
3	357-59-00-000	BEARINGS AND HOLDER KIT 2002	4
			1



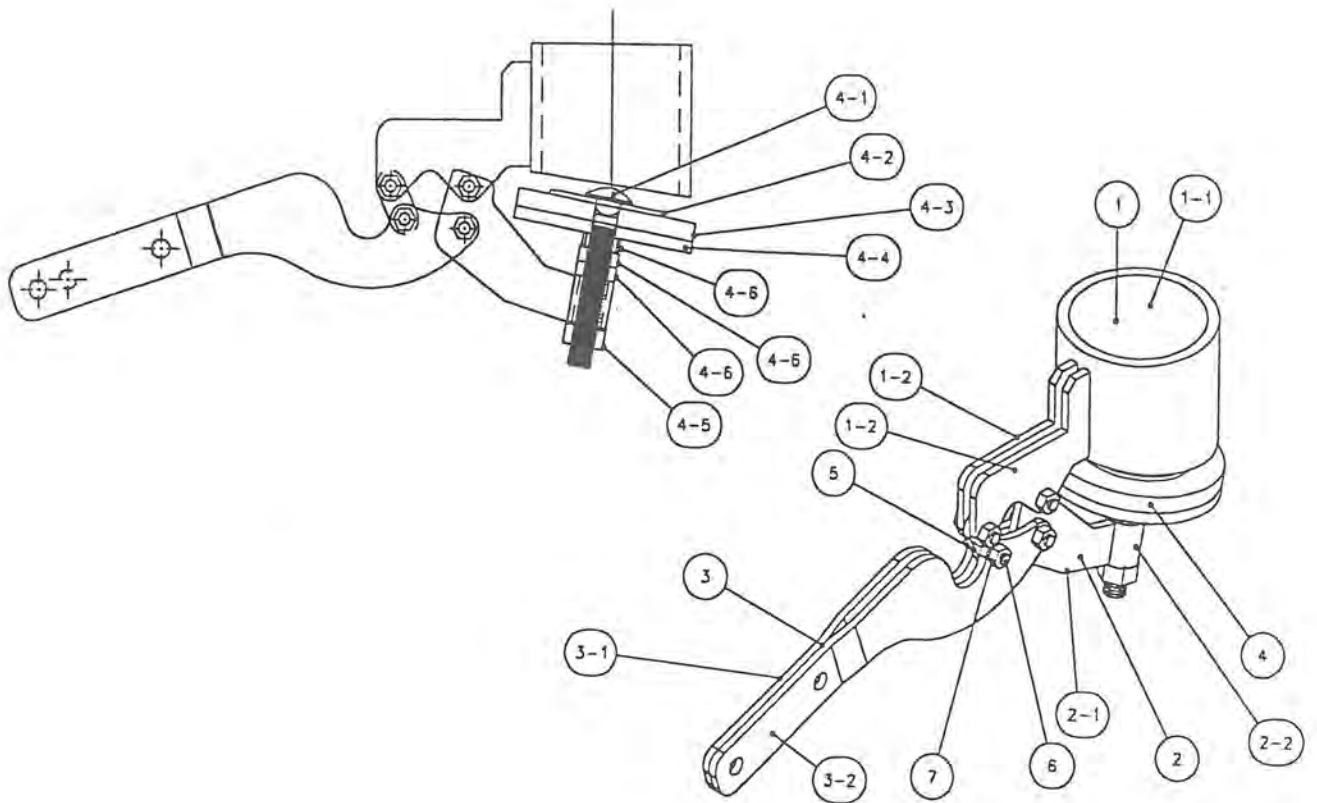
1000 RPM FAN,COVER PLATE & BRG KIT 364-66-00-000			
Item	Name	Description	Qty
1	364-73-00-000	1000 RPM FAN,SHAFT & IMPELLER ASSY	1
1-1	364-72-00-226	FAN SHAFT	1
1-2	364-63-00-209	IMPELLER BACK PLATE	1
1-3	R20238	HARDENED SEAL SLEEVE	1
1-4	364-64-00-210	CHT 1000 RPM FAN BLADE	4
1-5	364-72-00-422	FAN BLADE GUSSET	4
1-6	364-72-00-227	AGITATOR BLADE	3
2	364-67-00-000	COVER PLATE ASSY	1
2-1	364-67-00-211	HOUSING COVER PLATE	1
2-2	R07774	7/16 X 1 1/4" GR 5 CARRIAGE BOLT	4
3	357-59-00-000	BEARINGS AND HOLDER KIT 2002	1

BEARING HOLDER KIT  
357-59-00-000



BEARING HOLDER KIT 357-59-00-000			
Item	Name	Description	Qty
1	357-59-01-000	BEARING HOLDER W/CUPS KIT	1
1-1	357-59-02-000	BEARING BOX WELDED ASSY	1
1-1-1	364-61-00-192	SEAL TUBE BACK PLATE	1
1-1-2	364-61-00-191	BEARING TUBE	1
1-1-3	357-59-02-289	BEARING BOX GUSSET	4
1-2	R20113	BEARING CUP LM501310	2
2	R20115	OUTER CONE LM501349	2
3	R21197	2.25 X 3.005 X .25 SEAL	3
4	R08188	1/4" NPT STRAIGHT GREASE FITTING	1
5	R20238	HARDENED SEAL SLEEVE	1
6	R21196	SL LIP SEAL 152833TB 1.5"	1
7	R08175	5/16-18 UNC X 1 3/4" CAP SCREW	2
8	364-00-00-212	STAKE NUT	1
9	364-00-00-332	SEAL TUBE CAP	1
10	R09787	GREASE DECAL	1





DRAIN PLUG KIT 364-62-00-000			
1	364-62-06-000	DRAIN PIPE ASSY	1
1-1	364-01-03-110	DRAIN PIPE	1
1-2	364-62-00-199	PLUG HOUSING BRKT	2
2	364-62-01-000	DRAIN PLUG SLEEVE ASSY	1
2-1	364-62-01-200	SLEEVE LINKAGE	1
2-2	364-62-01-201	SLEEVE	1
3	364-62-03-000	HANDLE ASSY	1
3-1	364-62-03-206	L.H. HANDLE	1
3-2	364-62-03-207	R.H. HANDLE	1
4	364-62-05-000	DRAIN PLUG REPLACEMENT KIT	1
4-1	R08316	1/2 X 3 1/2" FULL THREAD CAR BOLT	1
4-2	364-62-04-370	PLUG WASHER	1
4-3	364-62-02-204	PLUG RUBBER	1
4-4	364-62-02-203	PLUG PLATE	1
4-5	R07785	1/2-13 UNC NYLOC HEX NUT	1
4-6	R08046	1/2-13 HEX JAM NUT	3
5	364-62-00-205	SHORT LINKAGE	1
6	R08176	1/4-20 X 7/8" SHORT THREAD BOLTS	4
7	R08048	1/4" LOCK NUT	4

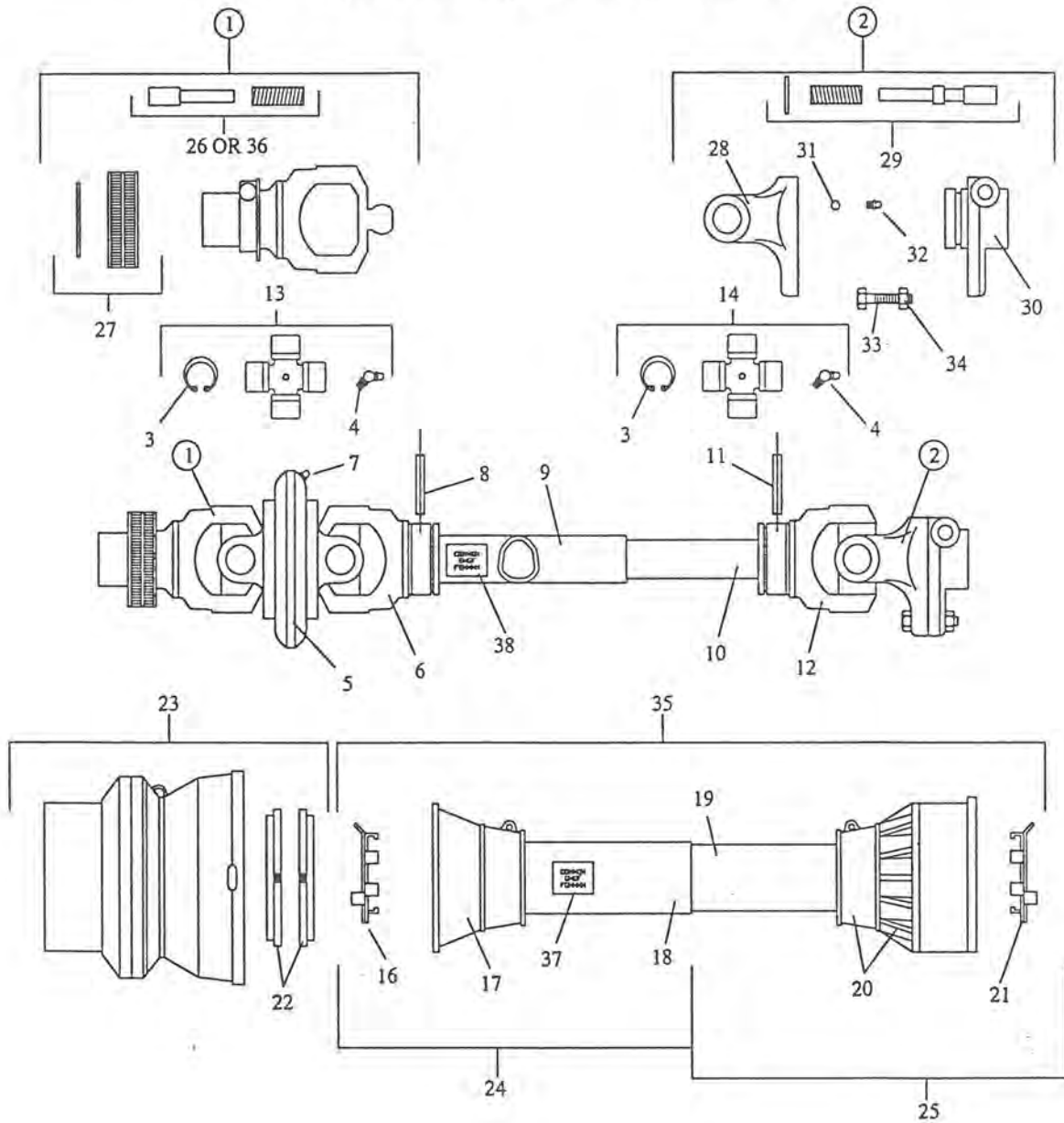
BONDIOLI AND PAVESI PTO

C/W 80° CV JOINT

R21582-540 RPM 1 3/8" 6 TOOTH SPLINE

R21583-1000 RPM 1 3/8" 21 TOOTH SPLINE

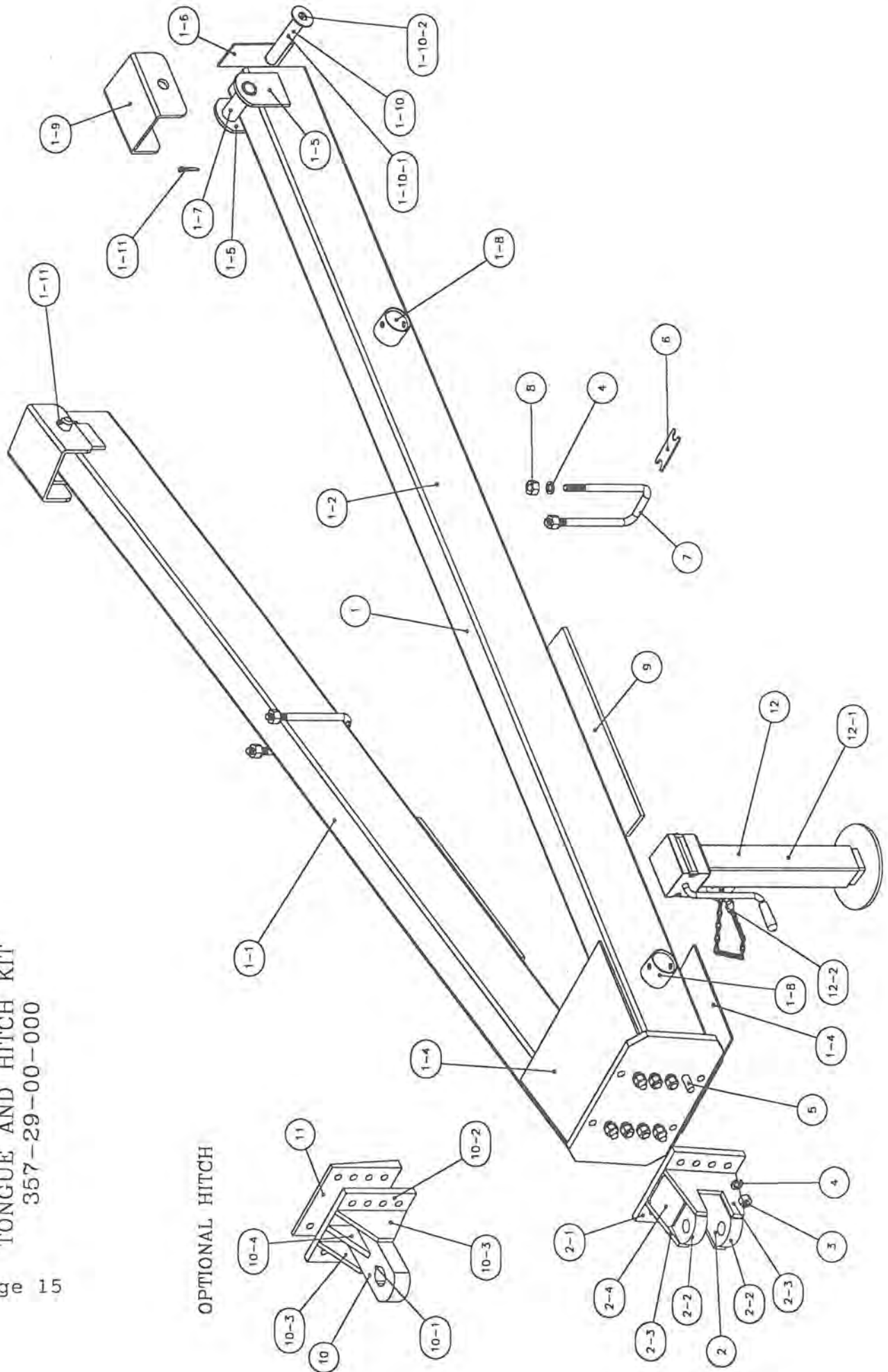
R21584-1000 RPM 1 3/4" 20 TOOTH SPLINE



## 80 DEGREE BONDIOLI AND PAVESI CV PTO

Item	Mfg #	Name	Description	Qty
1	573043875	R21712	1 3/4" 20 TOOTH YOKE	1
1	573040375	R21681	YOKE W/BRIDGE 540 RPM 1 3/8-8 TOOTH	1
1	573043775	R21680	YOKE W/BRIDGE 1000 RPM 1 3/8-21 TOOTH	1
2	606404001	R21473	CV SHEAR BOLT YOKE ASSY	1
3	338009000	R21683	CIRCLIP	8
4	348004000	R21655	GREASE NIPPLE	3
5	511040051	R21685	CENTRAL BODY	1
6	215046854	R21686	YOKE	1
7	348017000	R21687	GREASE NIPPLE	1
8	341038000	R21475	FLEXIBLE PIN	1
9	225311060	R22177	CARDAN TUBE	1
10	245101060	R22176	CARDAN TUBE CM	1
11	341048000	R21476	FLEXIBLE PIN	1
12	204046852	R21472	INNER TUBE YOKE	1
13	412040012	R21682	CROSS JOURNAL ASSY	2
14	412040012	R21693	CROSS JOURNAL ASSY	1
15	338017000	R21694	CIRCLIP	4
16	255040005	R21696	OUTER BEARING	1
17	254040024	R21485	OUTER TUBE CONE	1
18	236681007	R22179	CM SAFETY TUBE - 1007 LONG	1
19	236671007	R22178	CM SAFETY TUBE - 1007 LONG	1
20	517040061	R21700	INNER CONE SET	1
21	255040006	R21701	INNER BEARING	1
22	255040351	R21702	RING NUT DOWELS	2
23	517078001	R21703	COMPLETE CV GUARD	1
24	5FE4121E1654	R22180	OUTER HALF SAFETY GUARD	1
25	5F14121FF	R22181	INNER HALF SAFETY GUARD	1
26	403000001	R21669	COMPLETE PUSH BUTTON	1
27	240080061	R21670	HUB	1
27	240040061	R21708	HUB FOR 1 3/4" 20 TOOTH	1
28	213040020	R21704	SHEAR YOKE	1
29	401000001	R21451	COMPLETE PUSH BUTTON	1
30	513070324	R21706	HUB C/W QUICK DISCONNECT	1
31	362002000	R21705	1/4" BALL	23
32	348012000	R21672	GREASE NIPPLE	1
33	432000047	R08251	M8 1.25 X 45mm BOLT	1
34		R08252	M8 1.25 LOCK NUT	1
35	5F04121E1654	R22182	SAFETY GUARD	1
36	403000011	R21735	PUSH PIN FOR 1 3/4"-20 TOOTH TURNLOCK	1
37		R21521	"WARNING" DECAL	1
38		R21523	"SHIELD MISSING" DECAL	1

TONGUE AND HITCH KIT  
357-29-00-000

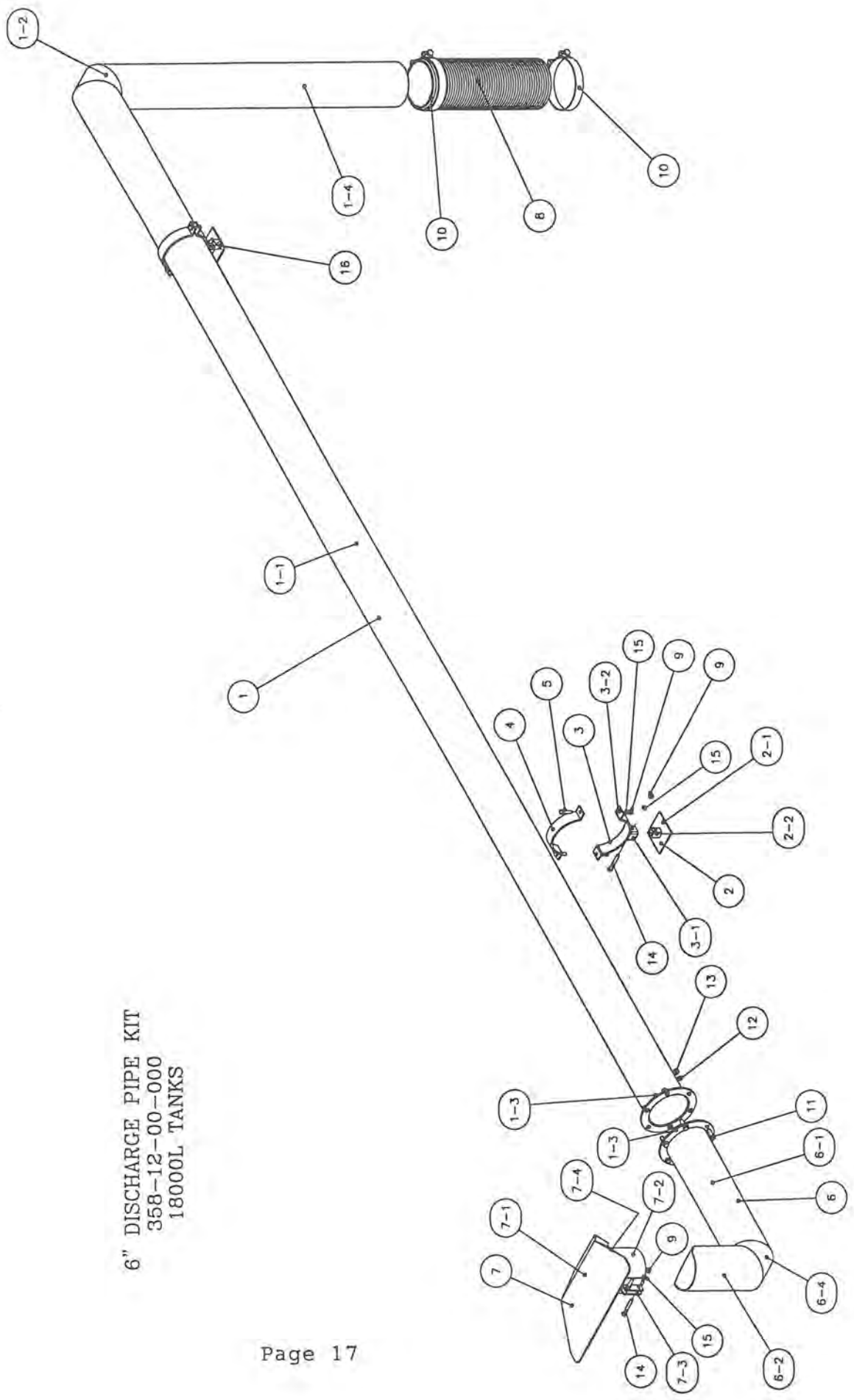


OPTIONAL HITCH

## TONGUE AND HITCH KIT 357-29-00-000

Item	Name	Description	Qty
1	357-27-00-000	TONGUE ASSY	1
1-1	357-27-00-164	LH TONGUE TUBE	1
1-2	357-27-00-165	RH TONGUE TUBE	1
1-3	358-42-00-137	HITCH BOLT PLATE	1
1-4	357-27-00-166	TONGUE TUBE GUSSET	2
1-5	315-36-00-146	SIDE PIECE	4
1-6	315-36-00-147	TONGUE TUBE END CAP	2
1-7	315-36-00-145	TOP GUSSET	2
1-8	364-35-00-245	TONGUE JACK STORAGE BRKT	2
1-9	315-31-00-115	TONGUE "U" PIECE	2
1-10	315-39-00-000	LOCK PIN ASSY	2
1-10-1	315-39-00-155	LOCK PIN	2
1-10-2	R07830	1 1/4" FLAT WASHER	2
1-11	R08016	1/4 X 2" COTTER PIN	2
2	358-43-00-000	STANDARD HITCH ASSY	1
2-1	358-43-00-139	HITCH BACK PLATE	1
2-2	358-43-00-140	HITCH PLATE	2
2-3	358-43-00-141	HITCH SIDE GUSSET	2
2-4	358-43-00-142	HITCH UPPER GUSSET	2
3	R07787	3/4" UNC HEX NUT	8
4	R07807	3/4" LOCK WASHER	12
5	R07655	3/4 X 2 1/2" HEX BOLT	8
6	364-00-00-131	"U" BOLT SPACER	2
7	R08172	3/4" UNF X 10" U BOLT	2
8	R07820	3/4" UNF HEX NUT	4
9	357-00-00-129	REINFORCING PLATE-USED ON 28000L & UP	2
10	358-44-00-000	SINGLE POINT HITCH-18000 L & UP	1
10-1	364-26-00-091	SINGLE POINT HITCH	1
10-2	358-43-00-139	HITCH BACK PLATE	1
10-3	358-44-00-144	SIDE GUSSET	2
10-4	358-44-00-145	TOP GUSSET	2
11	358-00-00-143	WEDGE PLATE	1
12	357-14-00-000	8000 LB SIDE WIND JACK COMPLETE	1
12-1	R10215	8000 LB TONGUE JACK	1
12-2	R10462	TONGUE JACK SLEEVE W/CHAIN & PIN	1

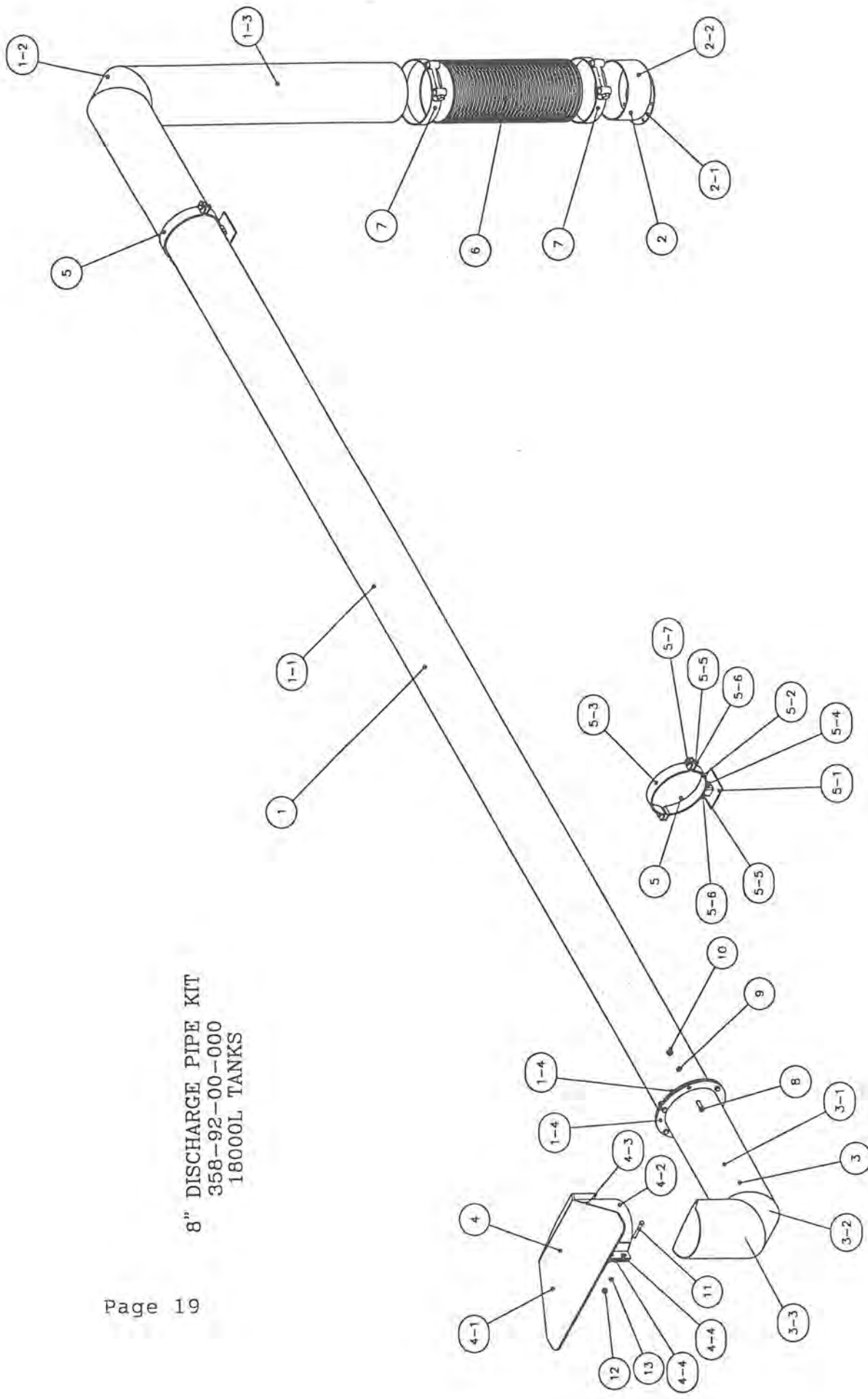
6" DISCHARGE PIPE KIT  
 358-12-00-000  
 18000L TANKS





## 6" DISCHARGE PIPE KIT-18000L

Item	Name	Description	Qty
1	358-32-00-000	6" DISCHARGE PIPE ASSY	1
1-1	359-30-00-108	HORIZONTAL DISCHARGE PIPE	1
1-2	364-19-00-082	DISCHARGE PIPE CORNER PC	1
1-3	364-19-00-087	DISCHARGE PIPE FLANGE	1
1-4	358-32-00-109	VERTICAL DISCHARGE PIPE	1
2	357-16-01-000	BASE HOLDER ASSY	2
2-1	357-16-01-130	BASE PLATE	2
2-2	357-16-01-131	LOWER STUB	2
3	357-16-02-000	PIPE HOLDER ASSY	2
3-1	357-16-02-137	UPPER STUB	2
3-2	357-16-00-133	6" TOP PIPE HOLDER	2
4	357-16-00-133	6" TOP PIPE HOLDER	2
5	R07620	3/8 X 1 1/2" HEX BOLT	4
6	364-25-00-000	DISCHARGE PIPE END SECTION ASSY	1
6-1	364-25-00-088	DISCHARGE PIPE FLANGE PC	1
6-2	364-25-00-067	DISCHARGE PIPE END PC	1
6-3	364-19-00-087	DISCHARGE PIPE FLANGE	1
6-4	364-19-00-082	DISCHARGE PIPE CORNER PC	1
7	364-68-00-000	SPLASH PLATE ASSY	1
7-1	364-21-00-069	SPLASH PLATE	1
7-2	364-68-00-215	CLAMPING TUBE	1
7-3	364-21-00-071	CLAMPING TUBE BRKT	2
7-4	364-21-00-224	SPLASH PLATE WING	2
8	364-00-00-066	6" FLEX HOSE	1
9	R07783	3/8" HEX NUT	8
10	R02482	6" CLAMP	2
11	R07671	7/16 X 1 1/4" HEX BOLT	6
12	R07804	7/16" LOCK WASHER	6
13	R07784	7/16" NYLOC HEX NUT	6
14	R07622	3/8 X 2 1/2" HEX BOLT	4
15	R07803	3/8" LOCK WASHER	8
16	357-16-00-000	6" PIPE HOLDER KIT	2

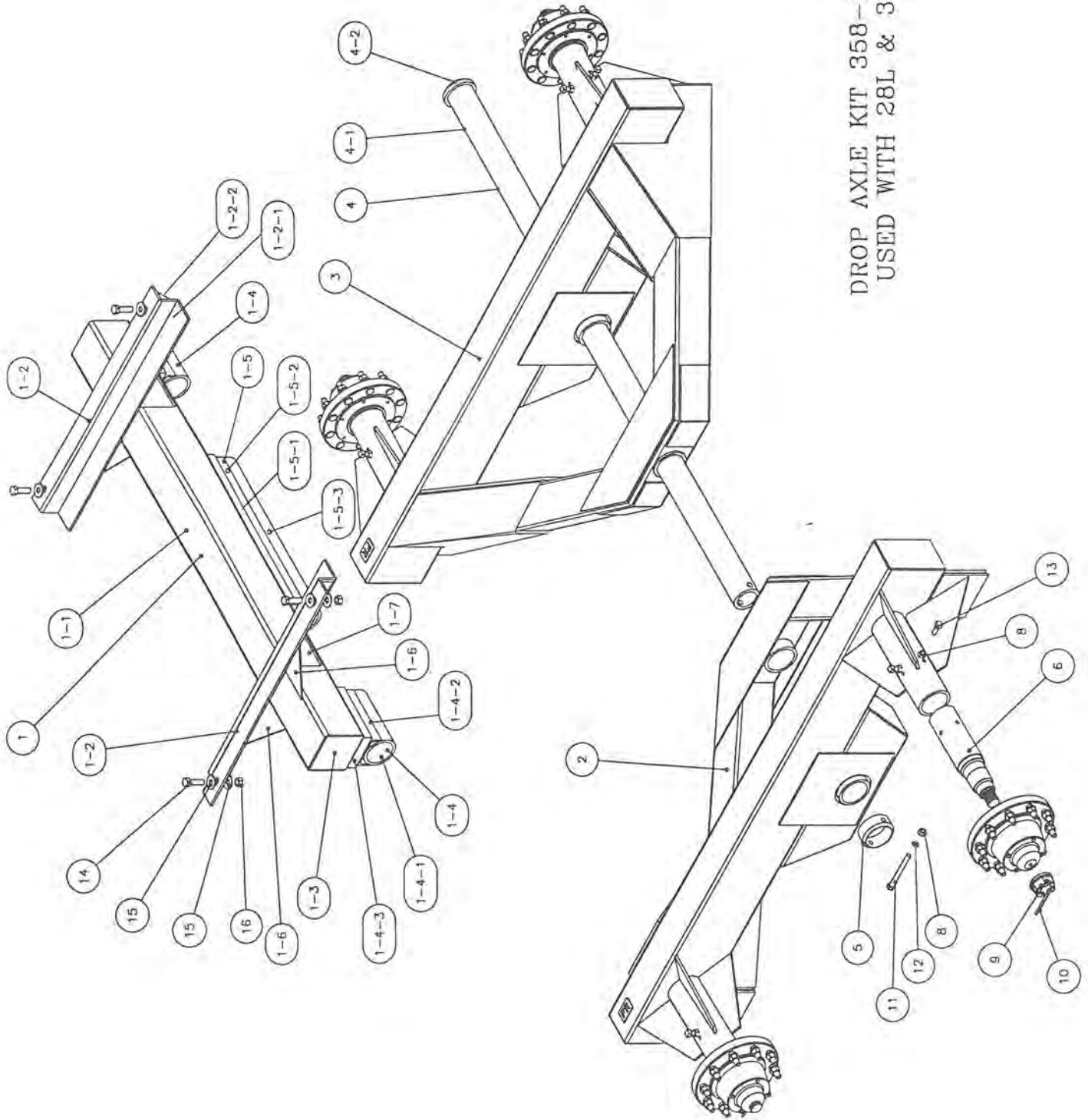


8" DISCHARGE PIPE KIT  
 358-92-00-000  
 18000L TANKS

## 8" DISCHARGE PIPE KIT 358-92-00-000

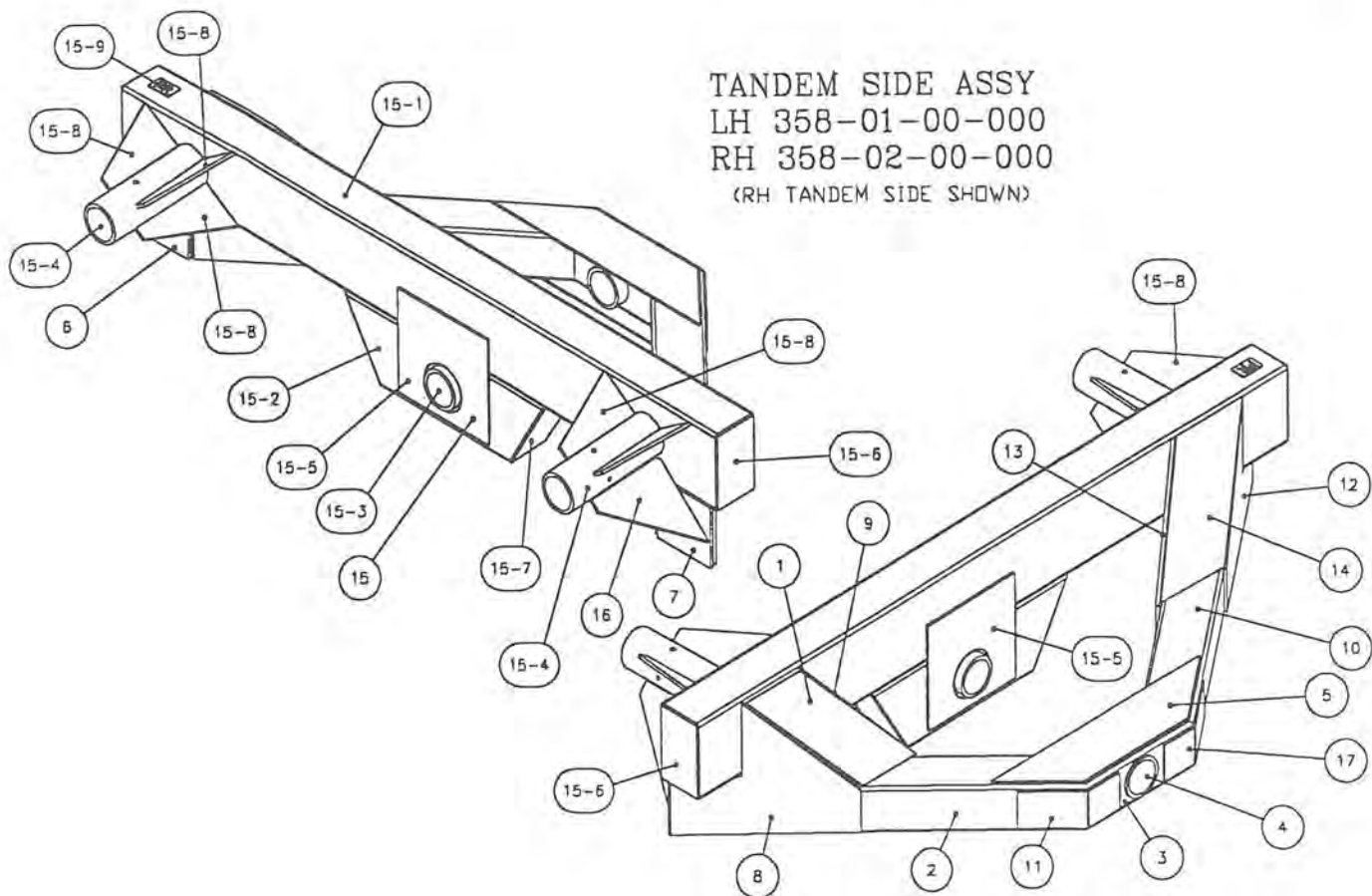
Item	Name	Description	Qty
1	358-92-02-000	18000L DISCHARGE PIPE ASSY 8"	1
1-1	358-92-02-303-A	LONG DISCHARGE PIPE	1
1-2	358-92-02-303-B	DISCHARGE ELBOW PC	1
1-3	358-92-02-303-C	DISCHARGE VERTICAL PIPE	1
1-4	358-92-02-306	8" FLANGE	1
2	358-92-01-000	8" HOUSING RING AND TUBE ASSY	1
2-1	358-92-01-301	DISCHARGE RING	1
2-2	358-92-01-302	8" DISCHARGE TUBE	1
3	358-92-03-000	8" DISCHARGE PIPE END SECTION ASSY	1
3-1	358-92-03-307-A	8" EXTENSION PIPE	1
3-2	358-92-03-307-B	EXTENSION PIPE ELBOW PC	1
3-3	358-92-03-307-C	EXTENSION VERTICAL PC	1
3-4	358-92-02-306	FLANGE	1
4	358-92-04-000	8" SPLASH PLATE ASSY	1
4-1	358-92-04-308	8" SPLASH PLATE	1
4-2	358-92-04-309	8" SPLASH PLATE TUBE	1
4-3	358-92-04-310	WING FOR 8" SPLASH PLATE	2
4-4	358-92-04-311	CLAMPING TUBE BRKT	2
5	357-17-00-000	8" DISCHARGE PIPE HOLDER KIT	2
5-1	357-16-01-000	BASE HOLDER ASSY	2
5-2	357-17-01-000	PIPE HOLDER ASSY-8"	2
5-3	357-17-00-135	PIPE HOLDER 8"	2
5-4	R07622	3/8 X 2 1/2" HEX BOLT	2
5-5	R07803	3/8" LOCK WASHER	6
5-6	R07783	3/8" HEX NUT	6
5-7	R07620	3/8 X 1 1/2" HEX BOLT	4
6	358-92-00-329	8" DISCHARGE HOSE	1
7	R02484	8" CLAMP	2
8	R07671	7/16 X 1 1/4" HEX BOLT	6
9	R07804	7/16" LOCK WASHER	6
10	R07784	7/16" NYLOC HEX NUT	6
11	R07622	3/8 X 2 1/2" HEX BOLT	2
12	R07783	3/8" HEX NUT	2
13	R07803	3/8" LOCK WASHER	2

DROP AXLE KIT 358-10-00-000  
USED WITH 28L & 30.5 TIRES



## DROP AXLE KIT 28L & 30.5 TIRES 358-10-00-000

Item	Name	Description	Qty
1	358-09-00-000	18000L BASE FRAME ASSY	1
1-1	358-85-00-250	CROSS AXLE SUPPORT	1
1-2	330-69-01-000	SILL "Z" PLATE ASSY	2
1-2-1	358-85-00-253	SILL "Z" PLATE	2
1-2-2	330-69-00-550	GUSSET	4
1-3	340-07-00-329	COVER PLATE	2
1-4	358-09-02-000	OUTER SLEEVE ASSY	2
1-4-1	340-07-08-322	STATIONARY SLEEVE	2
1-4-2	340-07-08-323	SLEEVE CHANNEL	2
1-4-3	358-85-00-251	SPACER BAR	2
1-5	358-09-03-000	CENTER SLEEVE ASSY	1
1-5-1	358-09-03-444	CENTER SPACER BAR	1
1-5-2	358-09-03-445	INNER SLEEVE HOLDER	1
1-5-3	358-09-03-446	CENTER SLEEVE	1
1-6	358-03-00-355	GUSSET	4
1-7	340-07-00-330	DOUBLE GUSSET	4
2	358-01-00-000	LH TANDEM SIDE ASSY	1
3	358-02-00-000	RH TANDEM SIDE ASSY	1
4	358-86-00-000	MAIN AXLE TUBE ASSY	1
4-1	358-86-00-252	MAIN AXLE TUBE	1
4-2	340-63-00-538	STOP RING	1
5	340-00-00-346	REINFORCING PLATE	1
6	340-00-00-347	16000 LB SPINDLE	4
7	358-11-00-000	16000 LB 10 BOLT DUC	4
8	R07786	5/8" HEX NUT	9
9	R20094	SPINDLE FLANGE NUT 1 3/4" -12 UNF	4
10	R20095	5/16 X 4" COTTER PIN	4
11	R07653	5/8 X 6" HEX BOLT	1
12	R07806	5/8" LOCK WASHER	1
13	R07927	5/8 X 1 1/2" SQ HEAD SET SCREW	8
14	R07655	3/4 X 2 1/2" HEX BOLT	4
15	R07827	3/4" FLAT WASHER	8
16	R07878	3/4" NYLOC HEX NUT	4

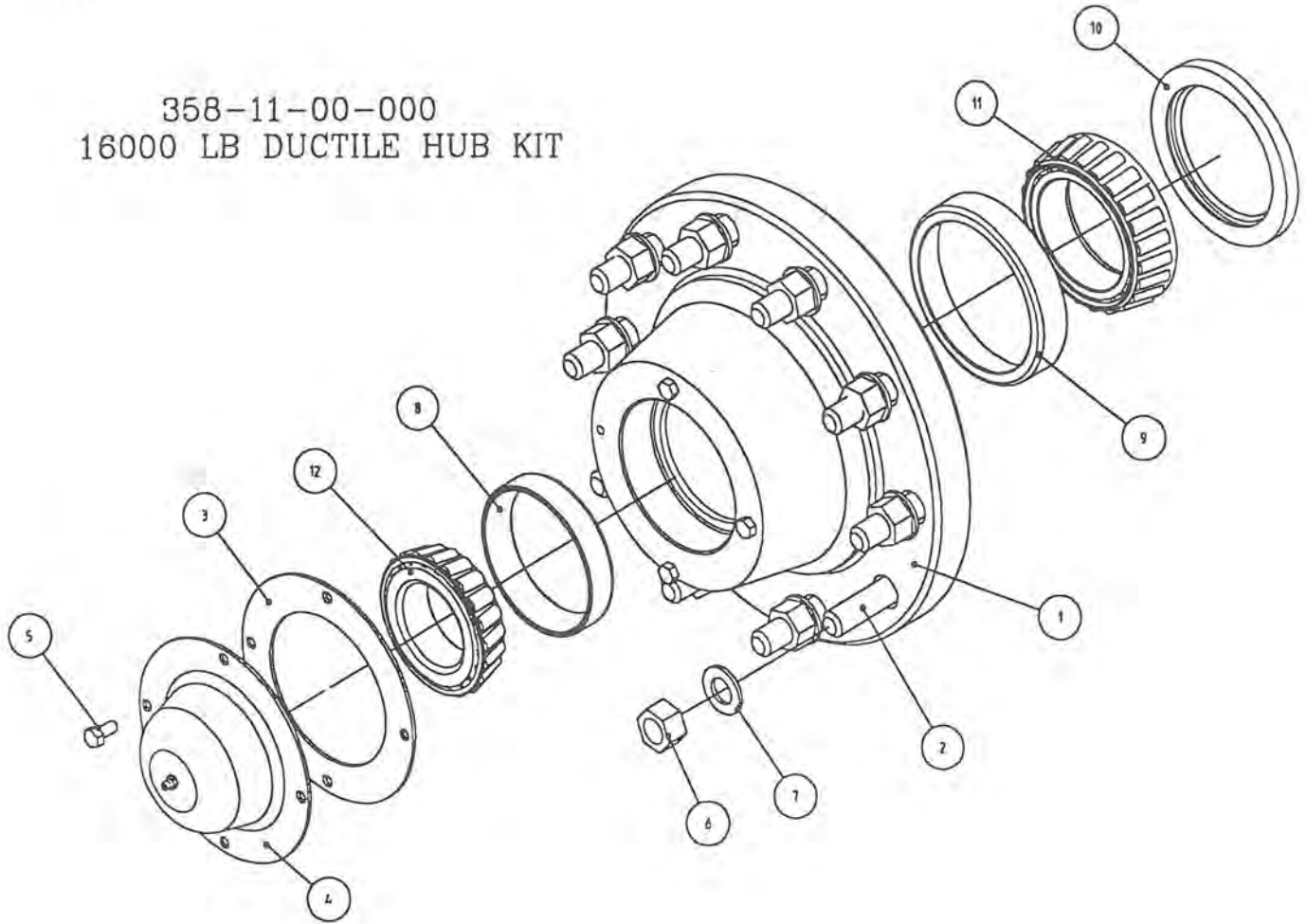


### TANDEM SIDE ASSY 358-01-00-000 & 358-02-00-000

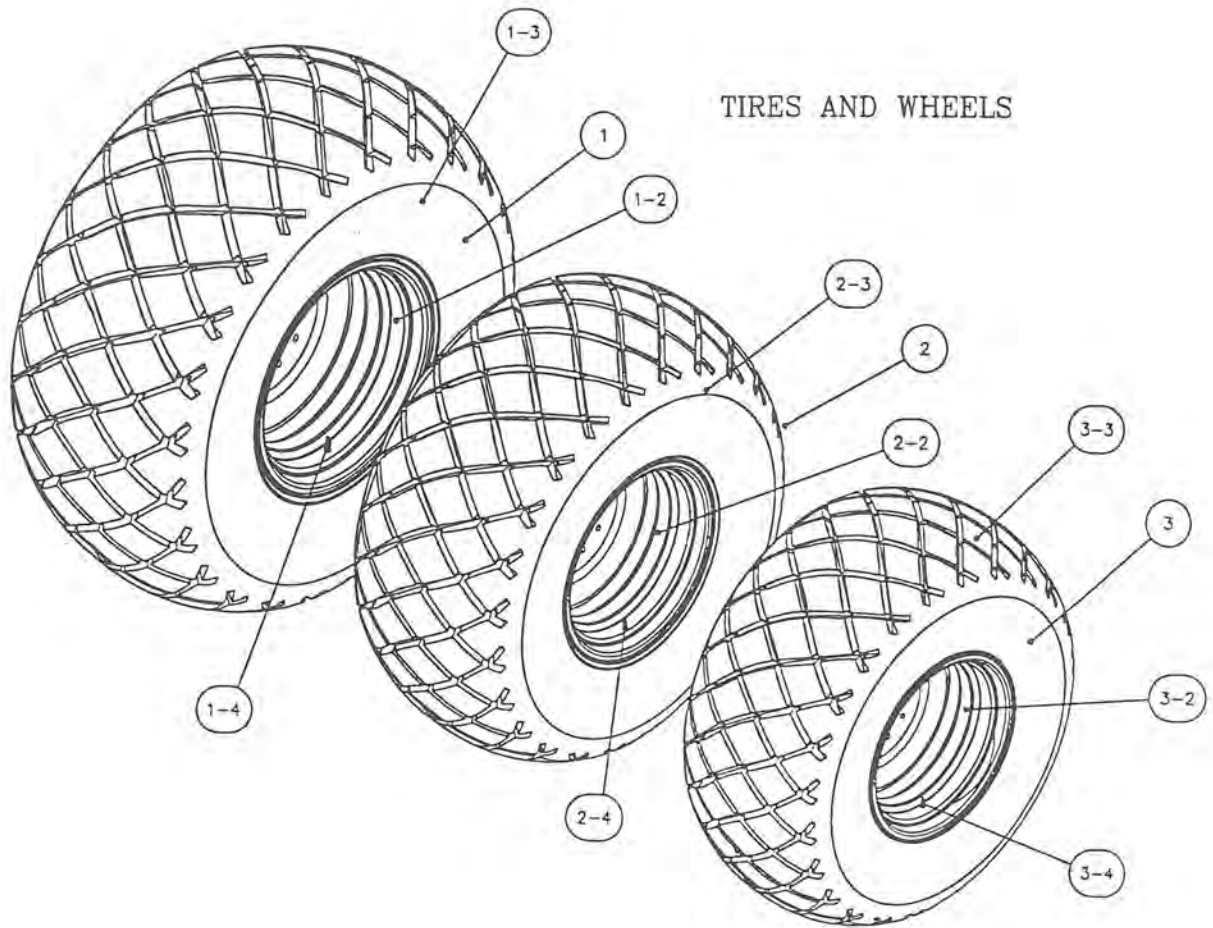
Item	Name	Description	Qty
1	358-01-00-352	REAR GUSSET CAP	1
2	358-01-00-340	REAR TANDEM ARM	1
3	358-01-00-345	MIDDLE CONNECTOR TUBE	1
4	358-83-01-235	WALKER SLEEVE	1
5	358-01-00-346	REINFORCING PLATE	2
6	358-01-00-349	FRONT TUBE CAP	1
7	358-01-00-350	REAR TUBE CAP	1
8	358-01-00-343	REAR OUTER GUSSET	1
9	358-01-00-344	REAR INNER GUSSET	1
10	358-01-00-339	FRONT TANDEM ARM	1
11	358-01-00-348	REAR TIE PLATE	1
12	358-01-00-341	FRONT OUTER GUSSET	1
13	358-01-00-342	FRONT INNER GUSSET	1
14	358-01-00-351	FRONT GUSSET CAP	1
15	358-01-01-000	LH WALKER ASSY	1
15-1	358-01-01-353	WALKING BEAM	1
15-2	358-83-01-229	DROP TUBE	1
15-3	358-83-01-235	WALKER SLEEVE	1
15-4	358-83-01-230	SPINDLE SLEEVE	2
15-5	358-83-01-234	DROP TUBE REINF PLATE	2
15-6	358-83-01-236	WALKING BEAM END CAP	2
15-7	358-83-01-233	DROP TUBE END CAP	2
15-8	358-83-01-231	SPINDLE SLEEVE GUSSET-SMALL	6
15-9	358-01-00-401	*"FRONT" PLATE	1
16	358-83-00-232	LARGE SPINDLE SLEEVE GUSSET	2
17	358-01-00-347	FRONT TIE PLATE	1



358-11-00-000  
16000 LB DUCTILE HUB KIT



10 BOLT DUCTILE HUB KIT 358-11-00-000			
Item	Name	Description	Qty
1	R22049	16000 LB 10 BOLT DUCTILE HUB-CASTING	1
2	R20096	3/4-16 UNF WHEEL BOLTS	10
3	R20084	DUST CAP GASKET	1
4	R20093	DUST CAP W/ GREASE FITTING D1600	1
5	R07690	5/16 X 5/8" LONG WHEEL BOLTS	4
6	R07820	3/4-16 UNF FEDALLOY HEX NUT	10
7	R07834	3/4" FEDALLOY FLAT WASHER	10
7	R20152	3/4" SPHERICAL WASHER	10
8	R20089	OUTER CUP 39520	1
9	R20088	INNER CUP 47620	1
10	R20083	HUB SEAL CR-38730	1
11	R20086	INNER CONE 47687	1
12	R20087	OUTER CONE 39585	1

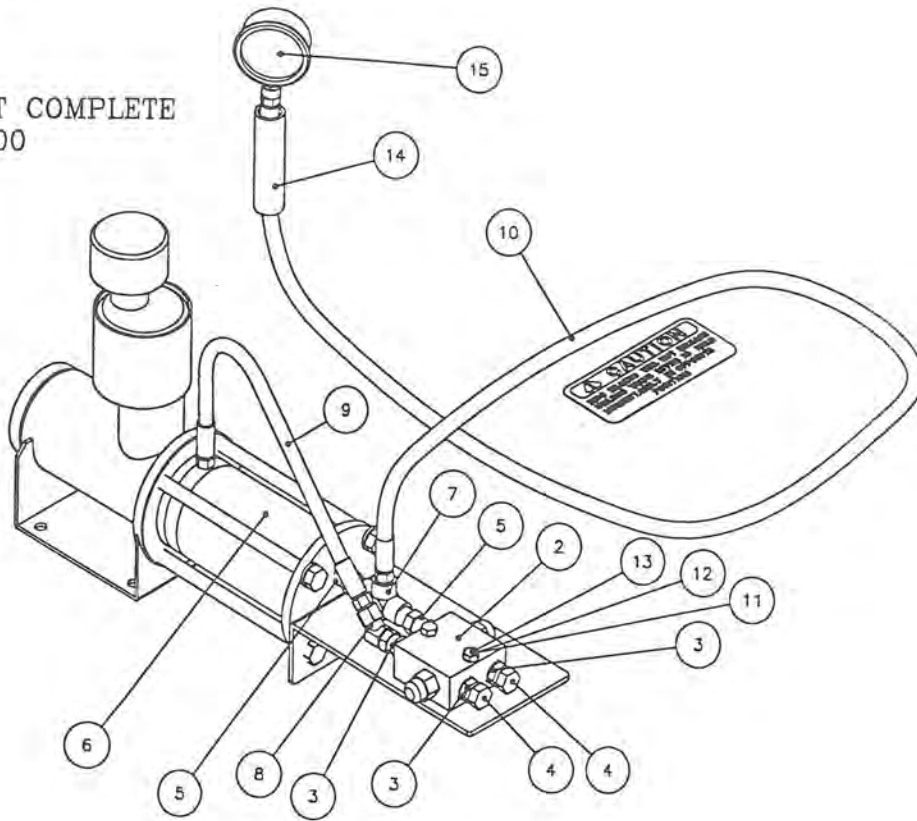


TIRES AND WHEELS

TIRES AND WHEELS

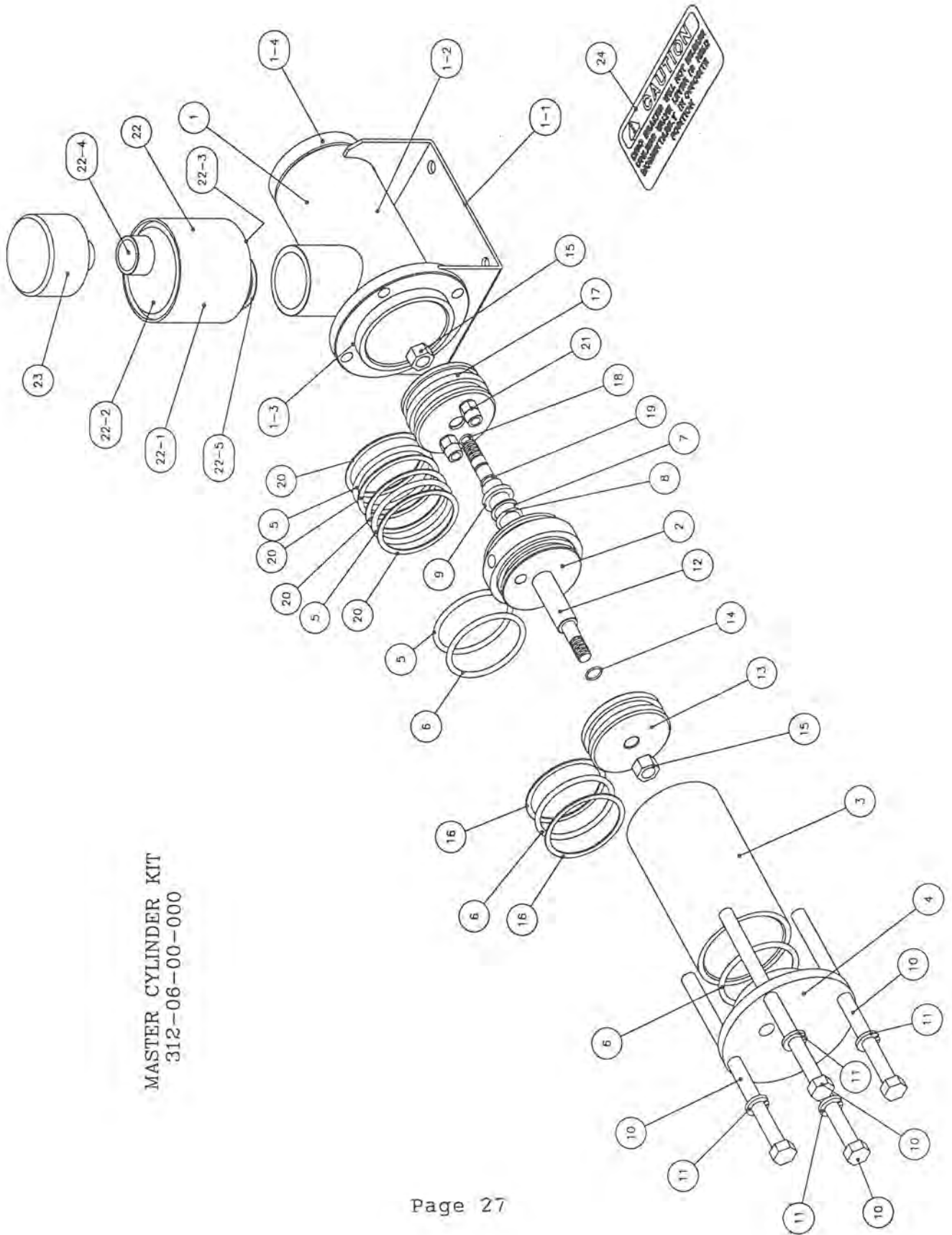
Item	Name	Description	Qty
1	358-89-00-000	30.5L X 32 TIRE AND WHEEL ASSY	1
1-2	R22077	27 X 32 X 10 BOLT WHEEL-11.25 BC	1
1-3	R22070	30.5 L X 32 TIRE	1
1-4	R20161	VALVE STEM	1
2	330-04-00-000	28L X 26 T & W ASSY	1
2-2	R20040	25 X 26 X 10 BOLT WHEEL-11.25 BC	1
2-3	R20015	28L X 26 TURF TIRE	1
2-4	R20161	VALVE STEM FOR 28L TIRE	1
3	340-68-00-000	18.4 X 26 T & W ASSY	1
3-2	R20075	16 X 26" 10 BOLT WHEEL	1
3-3	R20100	18.4 X 26" 10 PLY TBLS TIRE	1
3-4	R20161	VALVE STEM FOR 28L TIRE	1

MASTER CYLINDER KIT COMPLETE  
312-09-00-000



**MASTER CYLINDER COMPLETE 312-09-00-000**

Item	Name	Description	Qty
1	3120900054	RELIEF VALVE MOUNT PLATE	1
2	R21209	DUAL RELIEF VALVE	1
3	R02043	1/2 X 3/8" BUSHING	4
4	R02151	3/8" PIPE PLUG	2
5	R21397	3/8" HYDRAULIC NIPPLE	2
6	312-06-00-000	MASTER CYLINDER KIT	1
7	R21400	3/8" SOLID TEE	1
8	R21312	SWIVEL ADAPTOR	1
9	312-06-05-000	HYDRAULIC HOSE ASSY	1
10	312-09-01-000	PRESSURE GAUGE HYD HOSE ASSY	1
11	R07802	5/16" LOCK WASHER	2
12	R07782	5/16" HEX NUT	2
13	R07613	5/16 X 2" HEX BOLT	2
14	312-09-00-056	PRESSURE GAUGE HOLDER	1
15	R21250	PRESSURE GAUGE	1

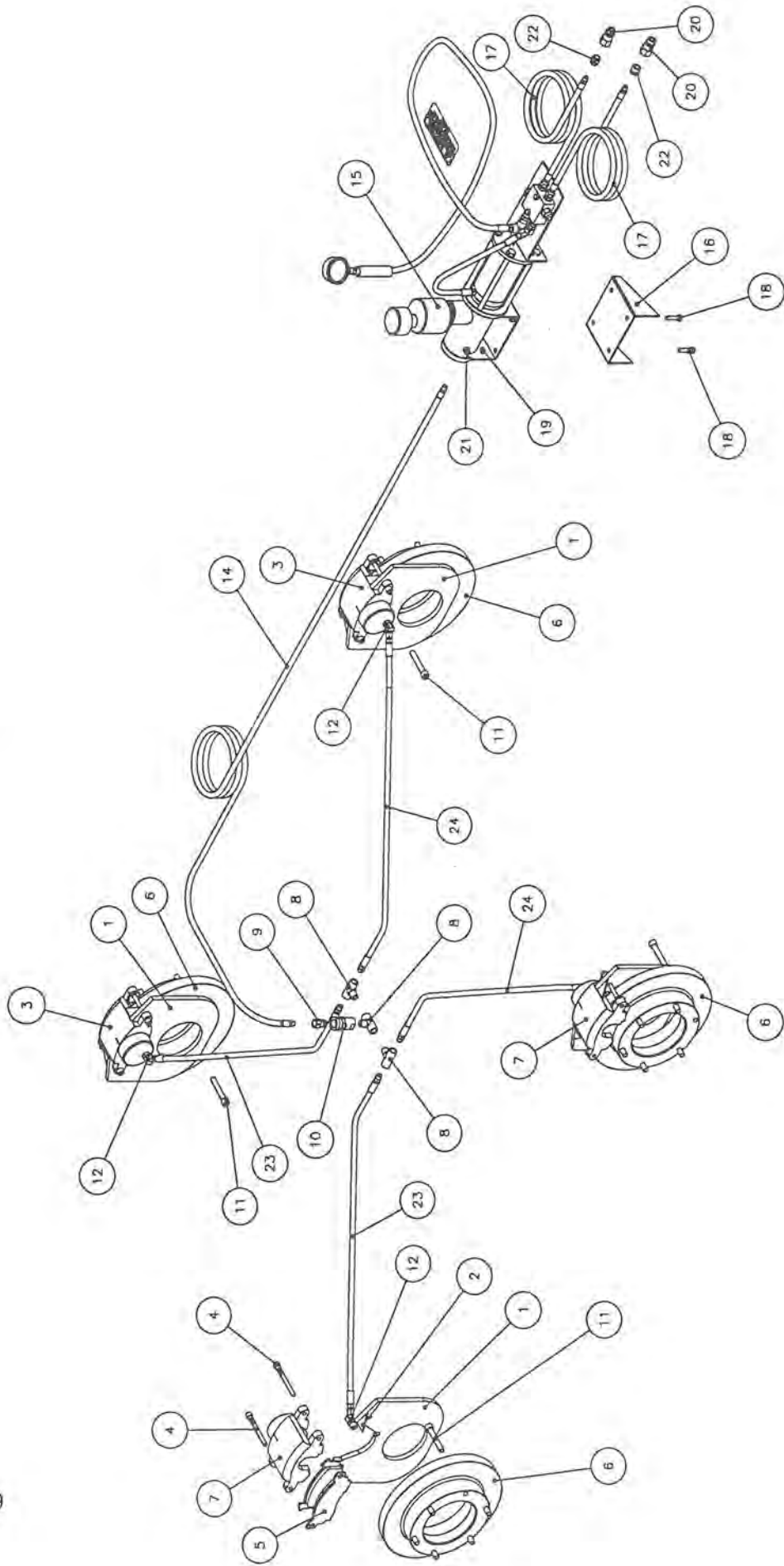


MASTER CYLINDER KIT  
312-06-00-000

## MASTER CYLINDER KIT 312-06-00-000

Item	Name	Description	Qty
1	312-06-02-000	MASTER CYLINDER TUBE ASSY	1
1-1	312-06-02-034	MOUNT PLATE	1
1-2	312-06-02-030	MASTER CYLINDER TUBE	1
1-3	312-06-02-031	MASTER CYLINDER FLANGE	1
1-4	312-06-02-032	MASTER CYLINDER END CAP	1
1-5	312-06-02-033	1 1/2" PIPE COUPLING	1
2	312-06-00-037	CYLINDER DIVIDER BLOCK	1
3	312-06-00-035	HYDRAULIC CYLINDER TUBE	1
4	312-06-00-036	HYDRAULIC CYLINDER END CAP	1
5	R20868	EP *O*RING #334 (2 5/8 X 3 X 3/16")	3
6	R20836	*O*RING #11-334 (2 5/8 X 3 X 3/16")	3
7	R20874	3/4" TEFLON BACK UP	1
8	R20871	EP *O*RING 210 (3/4 X 1 X 1/8")	1
9	R20774	3/4" HYTREL ROD WIPER 52-750	1
10	R07679	1/2-13 UNC X 8" HEX BOLT	4
11	R07805	1/2" LOCK WASHER	4
12	312-06-00-040	SHAFT	1
13	312-06-00-038	HYDRAULIC PLUNGER	1
14	R20865	O-RING #11-014	1
15	R07885	1/2" -2 WAY LOCK NUT	2
16	R20837	BACK UP #8-334	2
17	312-06-00-039	MASTER CYLINDER PLUNGER	1
18	R20869	EP *O*RING 012 (3/8 X 1/2 X 1/16")	1
19	R20870	EP *O*RING 014 (1/2 X 5/8 X 1/16")	1
20	R20873	TEFLON BACK UP #334	4
21	R21207	3/8" CHECK VALVE	2
22	312-06-03-000	RESERVOIR ASSY	1
22-1	312-06-03-041	RESERVOIR TUBE	1
22-2	312-06-03-042	RESERVOIR TOP PLATE	1
22-3	312-06-03-043	RESERVOIR BOTTOM PLATE	1
22-4	312-06-03-045	RESERVOIR COUPLING	1
22-5	312-06-03-046	RESERVOIR NIPPLE	1
23	R21103	FILLER BREATHER	1
24	R09689	"CAUTION" DECAL	1

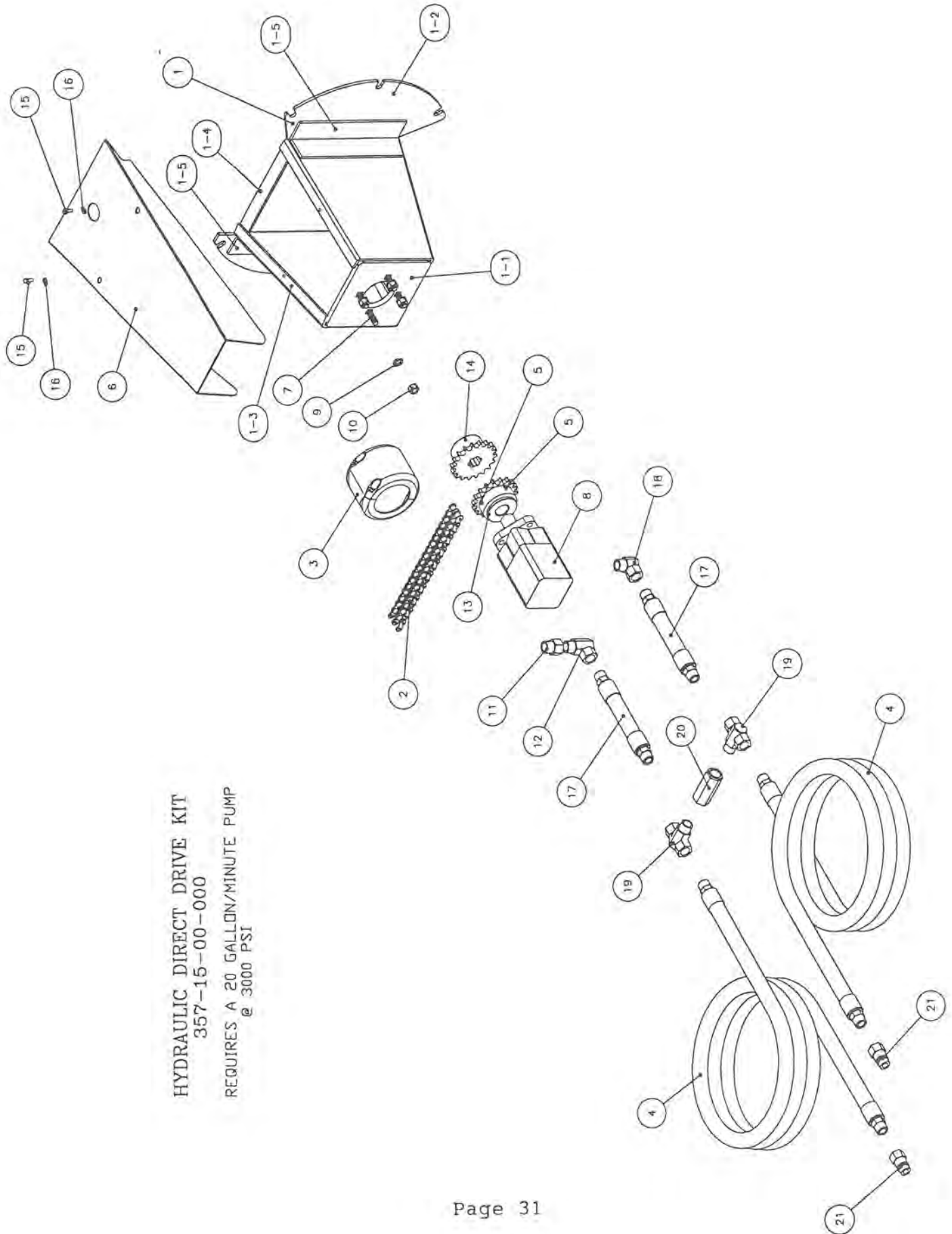
DISC BRAKES FOR 18000 LITRE TANKS  
 340-17-00-000  
 USED WITH 28L AND 30.5 TIRES





## DISC BRAKE KIT FOR 28L & 30.5 TIRES 340-17-00-000

Item	Name	Description	Qty
1	340-08-10-332	CALIPER MOUNTING PLATE-28L & 22.5 TIRES	4
2	340-08-10-334	CALIPER PLATE SUPPORT	8
3	R21066	LH DISC BRAKE CALIPER ASSY TC501	2
4	R21070	GUIDE PINS	8
5	R21067	BRAKE PADS (PAIR)	4
6	R20098	BOLT ON CAST BRAKE DISC	4
7	R21065	RH DISC BRAKE CALIPER ASSY TC500	2
8	R22111	3/8" HYDRAULIC TEE F X F X M	3
9	R21339	3/8" MALE PIONEER END	1
10	R21337	3/8" FEMALE PIONEER END	1
11	R07871	1/2-20 UNF X 3" SOCKET HEAD CAP SCREWS	24
12	R21308	45-X 7/16" SAE X 1/4" NPT ADAPTOR	4
13	312-04-00-000	HYDRAULIC BRAKE HOSE ASSY	2
14	340-17-38-000	MAIN BRAKE HOSE ASSY	1
15	312-09-00-000	MASTER CYLINDER KIT COMPLETE	1
16	312-06-00-047	TONGUE MOUNT PLATE	1
17	340-17-39-000	HYDRAULIC HOSE ASSY	2
18	R07620	3/8-16 UNC X 1 1/2" HEX BOLT	4
19	R07803	3/8" LOCK WASHER	4
20	R21342	PIONEER COUPLER	2
21	R07783	3/8" HEX NUT	4
22	R02043	1/2 X 3/8" BUSHING	2
23	340-17-16-000	HYDRAULIC BRAKE HOSE ASSY-REAR	2
24	340-17-15-000	HYDRAULIC BRAKE HOSE ASSY-FRONT	2

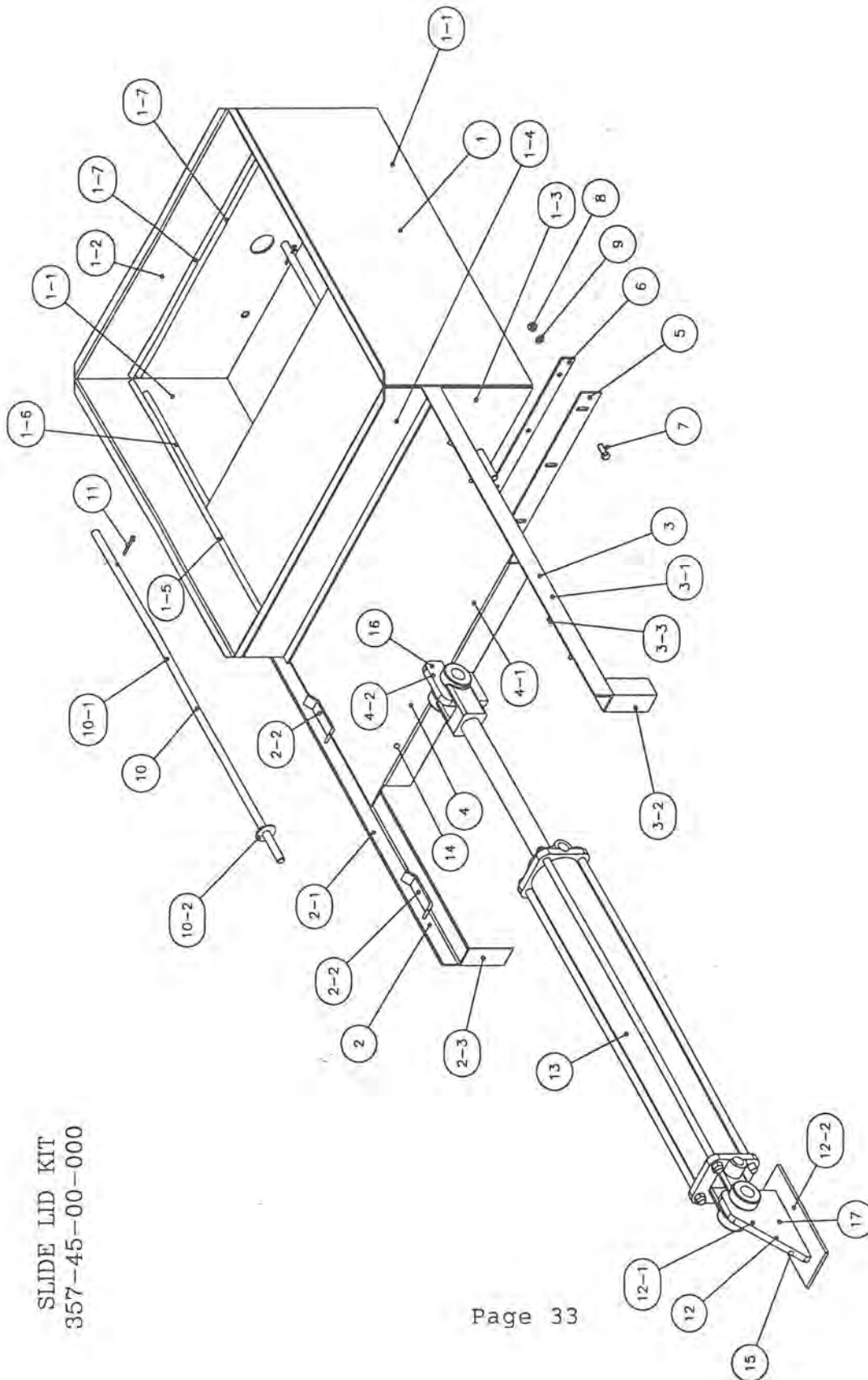


HYDRAULIC DIRECT DRIVE KIT  
 357-15-00-000  
 REQUIRES A 20 GALLON/MINUTE PUMP  
 @ 3000 PSI

## HYDRAULIC DIRECT DRIVE KIT 357-15-00-000

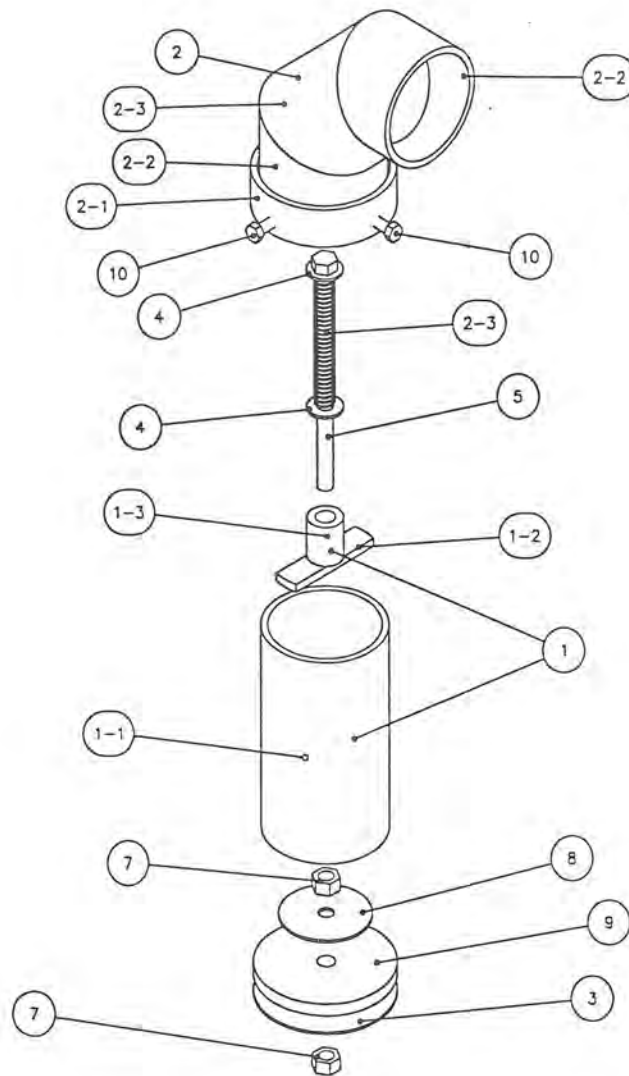
Item	Name	Description	Qty
1	384-02-01-000	DIRECT HYD DRIVE MT PLATE ASSY	1
1-1	384-02-01-004	MOTOR MOUNT PLATE	1
1-2	384-02-01-003	LH EXTENSION PLATE	1
1-3	384-02-01-002	RH EXTENSION PLATE	1
1-4	384-02-01-012	REINFORCING STRAP	1
1-5	384-02-01-207	REINFORCING ANGLE	2
2	R20883	60-18 COUPLING CHAIN C/W CONNECTOR LINK	2
3	R20617	60-18 COUPLING COVER	1
4	364-48-24-000	HYDRAULIC HOSE ASSY-3/4"	1
5	R07911	3/8 X 3/4" SET SCREW	2
6	384-02-00-005	GUARD	2
7	R07744	1/2 X 2" CARRIAGE BOLT	1
8	R21422	MS160 HYDRAULIC MOTOR	4
9	R07805	1/2" LOCK WASHER	1
10	R07785	1/2" HEX NUT	4
11	R20815	7/8-14 SAE M X 3/4" ADAPTOR	4
12	R21332	3/4M X 3/4F NPT 90~ SWIVEL ADAPTER	1
13	384-02-00-007	60 B-18 SPROCKET FOR STR SHAFT	1
14	384-02-00-072	60 B-18 SPROCKET W/6 TOOTH SPLINE	1
15	R07698	1/4 X 1/2" HEX HEAD BOLT	1
16	R07801	1/4" LOCK WASHER	2
17	364-48-32-000	3/4" HYDRAULIC HOSE ASSY	2
18	R21323	7/8 X 3/4" NPT SWV ADAPTOR	2
19	R21393	3/4" HYDRAULIC TEE	1
20	R21202	3/4" NPT IN-LINE CHECK VALVE	2
21	R21338	3/4" PIONEER TIP	1
			2

SLIDE LID KIT  
357-45-00-000



## SLIDE LID KIT 357-45-00-000

Item	Name	Description	Qty
1	357-45-01-000	MANHOLE ASSY	1
1-1	357-45-01-202	SIDES	2
1-2	357-45-01-203	REAR PANEL	1
1-3	357-45-01-204	FRONT LOWER PANEL	1
1-4	357-45-01-205	FRONT UPPER PANEL	1
1-5	357-45-01-206	SIDE UPPER GUIDE BAR	2
1-6	357-45-01-257	SIDE LOWER GUIDE BARS	2
1-7	357-45-01-207	REAR GUIDE BAR	2
2	357-45-02-000	RH SLIDE RAIL ASSY	1
2-1	357-45-02-209	SLIDE RAIL	1
2-2	357-45-02-208	LOWER GUIDE	2
2-3	357-45-02-210	SLIDE RAIL LEG	1
3	357-45-04-000	LH SLIDE RAIL ASSY	1
3-1	357-45-02-209	SLIDE RAIL	1
3-2	357-45-02-210	SLIDE RAIL LEG	1
3-3	357-45-02-208	LOWER GUIDE	2
4	357-45-03-000	LID ASSY	1
4-1	357-45-03-213	SLIDE LID	1
4-2	357-45-03-214	SLIDE LID LUG	1
5	357-45-00-212	RUBBER	1
6	357-45-00-211	STRAP	1
7	R07611	5/16 X 1" HEX BOLT	5
8	R07782	5/16" HEX NUT	5
9	R07802	5/16" LOCK WASHER	5
10	357-45-08-000	LONG MANHOLE SAFETY BAR	3
10-1	357-45-08-274	MANHOLE SAFETY BAR	3
10-2	R08320	1/2" S.S. FLAT WASHER	3
11	R08207	5/32 X 1 1/2" SS COTTER PIN	3
12	357-45-07-000	TANK LUG ASSY FOR HYD CYLINDER	1
12-1	357-45-07-254	TANK LUG FOR HYD CYLINDER	1
12-2	368-54-02-425	YLINDER BRKT BASE PLATE	1
13	R22162	2 X 24" HYDRAULIC CYLINDER	1
14	357-45-05-000	LID ASSY-AIR CYLINDER	1
15	357-45-06-000	TANK LUG ASSY-AIR CYLINDER	1
16	357-45-05-242	SLIDE LID LUG-AIR CYLINDER	1
17	357-45-06-243	TANK LUG-AIR CYLINDER	1

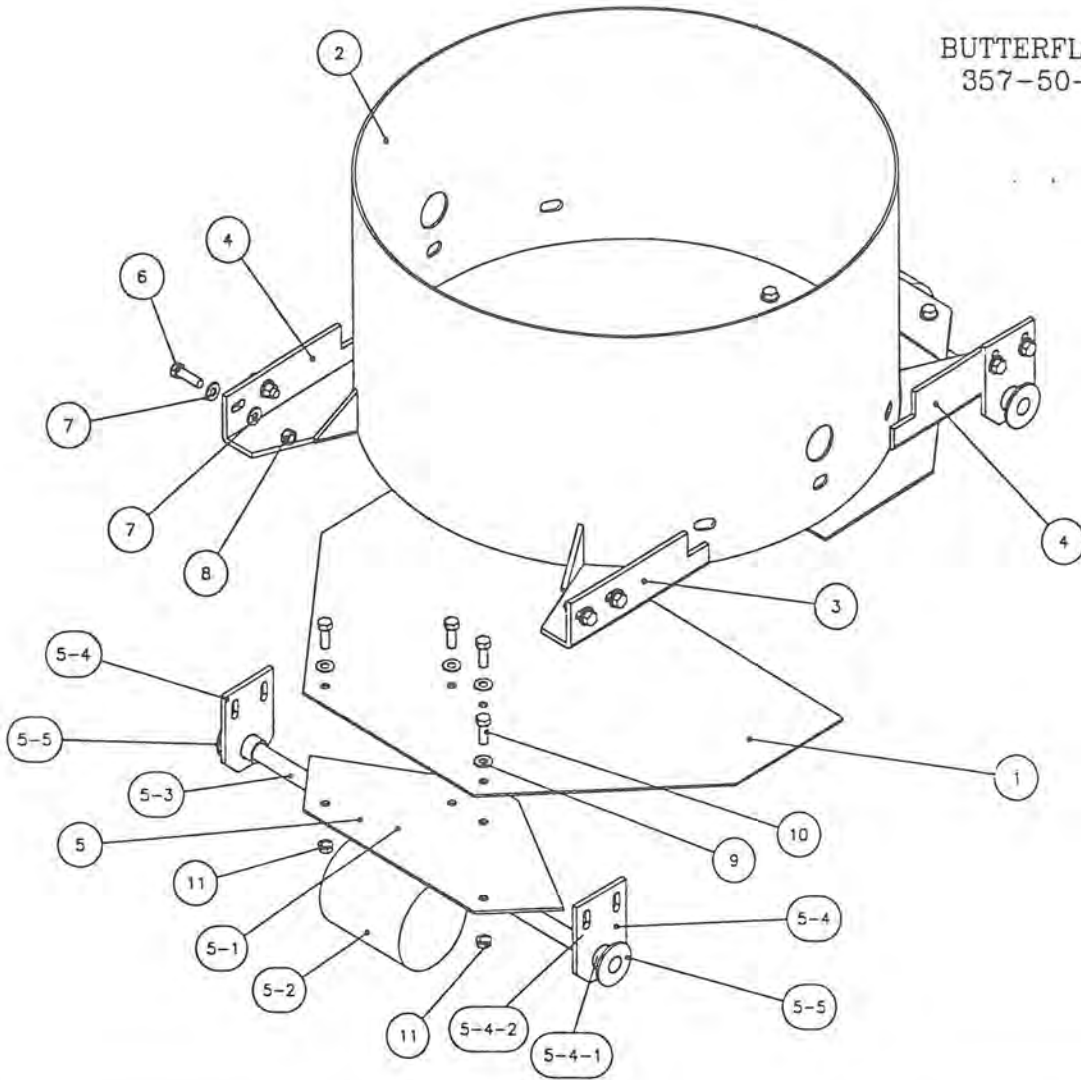


TANK VENT KIT  
357-51-00-000

TANK VENT KIT 357-51-00-000			
Item	Name	Description	Qty
1	3575101000	VENT TUBE ASSY	1
1-1	357-51-01-246	VENT TUBE	1
1-2	357-51-01-247	VENT STRAP	1
1-3	357-51-01-248	INNER SLIDE TUBE	1
2	357-51-02-000	CAP ASSY	1
2-1	357-51-02-251	SLEEVE	1
2-2	357-51-02-252	ELBOW SECTION	2
2-3	357-51-02-253	ELBOW MIDDLE SECTION	1
3	357-51-00-258	LOWER STAINLESS STEEL WASHER	1
4	R07833	7/16" SAE FLAT WASHER	2
5	R07689	7/16 X 7" HEX BOLT	1
6	357-51-00-249	SPRING	1
7	R07784	7/16" NYLOC HEX NUT	2
8	357-51-00-250	STAINLESS STEEL WASHER	1
9	364-62-02-204	RUBBER PLUG	1
10	R07690	5/16 X 5/8" HEX BOLT	2

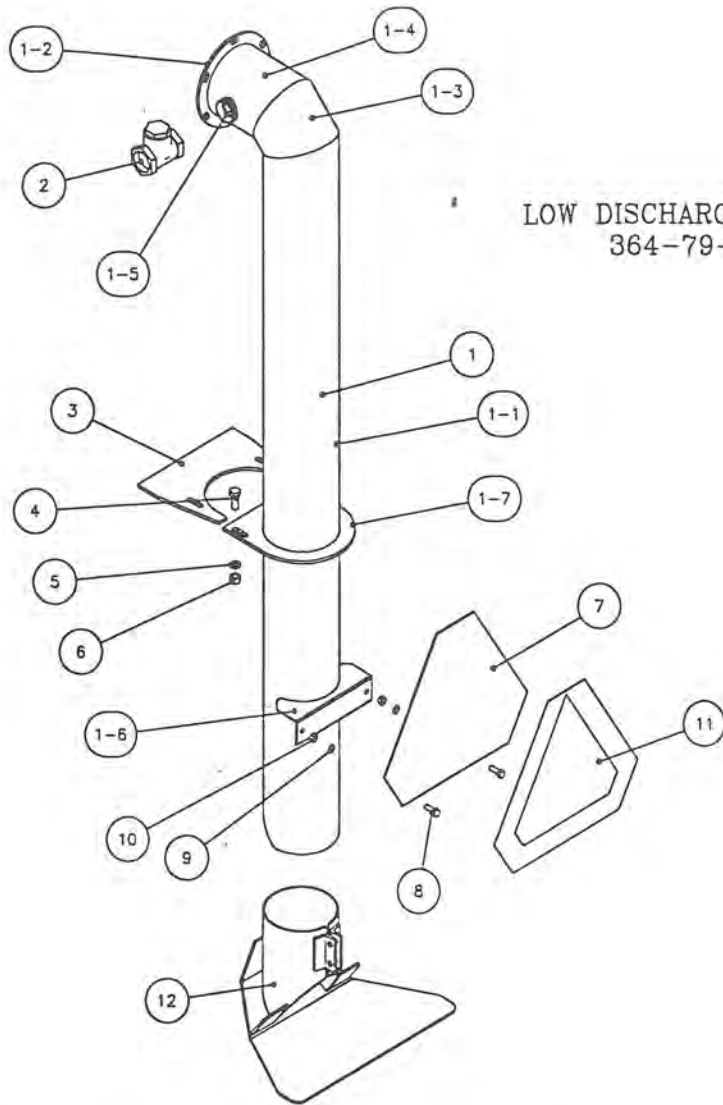


BUTTERFLY LID KIT  
357-50-00-000



**BUTTERFLY LID KIT 357-50-00-000**

Item	Name	Description	Qty
1	357-50-00-239	BUTTERFLY LID	2
2	364-02-00-006	MANHOLE (NOT INCLUDED IN KIT)	1
3	357-50-00-255	RH HANGER BRKT	2
4	357-50-00-256	LH HANGER BRKT	2
5	357-50-01-000	COUNTER WEIGHT PLATE ASSY	2
5-1	357-50-01-240	COUNTER WEIGHT PLATE	2
5-2	357-50-01-241	COUNTER WEIGHT	2
5-3	364-87-01-271	CROSS SHAFT	2
5-4	364-87-03-000	HINGE BRKT ASSY	4
5-4-1	364-87-03-276	SLEEVE	4
5-4-2	364-87-03-275	HINGE BRKT	4
5-5	R07827	3/4" FLAT WASHER	4
6	R07675	3/8 X 1 1/4" HEX HD BOLTS	8
7	R07823	3/8" FLAT WASHER	16
8	R08247	3/8-16 UNC NYLOC HEX NUT	8
9	R08231	3/8 SAE S.S. FLAT WASHER	8
10	R08317	3/8 X 1" S.S. HEX BOLT	8
11	R07794	3/8" HEX FLANGE NUT	8



LOW DISCHARGE PIPE KIT 6"  
364-79-00-000

LOW DISCHARGE PIPE KIT 6" 364-79-00-000			
Item	Name	Description	Qty
1	364-79-01-000	6" DROP PIPE ASSY	1
1-1	364-79-01-295	LONG DROP PIPE	1
1-2	364-19-00-087	DISCHARGE PIPE FLANGE	1
1-3	364-19-00-082	DISCHARGE PIPE CORNER PC	1
1-4	364-79-01-296	SHORT HORIZONTAL PIPE	1
1-5	R02127	1 1/2" CLOSE NIPPLE	1
1-6	308-77-00-226	SMV SIGN HOLDER	1
1-7	384-05-02-069	TUBE ATTACHMENT BRKT	1
2	R02490	1 1/2" BRASS CHECK VALVE	1
3	384-05-03-070	TANK BRACKET	1
4	R07674	1/2 X 1 1/4" HEX BOLT	2
5	R07805	1/2" LOCK WASHER	2
6	R07785	1/2" HEX NUT	2
7	200-00-00-132	SMV SIGN HOLDER	1
8	R07619	3/8 X 1" HEX BOLT	2
9	R07803	3/8" LOCK WASHER	2
10	R07783	3/8" HEX NUT	2
11	R09501	SLOW MOVING VEHICLE SIGN	1
12	364-68-00-000	SPLASH PLATE ASSY-NOT INCLUDED	1

HUSKY FARM EQUIPMENT LIMITED

ALMA, ON N0B 1A0

PHONE: (519) 846 - 5329

FAX: (519) 846 - 9378

5 YEAR AXLE WARRANTY

Husky Farm Equipment Limited will guarantee for 5 years from date of invoice, all Manure Spreader undercarriages and axle assemblies, if used on a farm for farm purposes.

Husky will replace free of charge:

1. Any part of the axle which should break or collapse through overload.
2. Any spindles or hub which should break.
3. Any wheel and rim assemblies which should fail.

Exempt from extended warranty are:

1. Bearings and tires which are covered under normal warranty and do require maintenance to avoid failure.
2. Spindles damaged through bearing failure.
3. Wheel or rim damage resulting from owner failing to keep wheel bolts tight.
4. 23000 Litre (6000 US Gal) is not covered because it is custom built.

To qualify for extended warranty, damaged parts must be returned to Husky Farm Equipment Limited, prepaid, along with serial number and copy of the original invoice.

All parts supplied by Husky on warranty, will be shipped freight collect. Extended warranty covers damaged parts only and does not cause liability on Husky for any damage resulting from such failure.

TEN YEAR WARRANTY AGAINST RUSTOUT

Husky Farm Equipment provides a 10 year warranty against premature perforation (rustout) of any liquid manure spreader manufactured later than Jan. 1987. Providing the manure spreader is used for manure or sludge and not for chemical products.

Extended warranty is pro rated and will be paid only through the crediting off of the then current list price of a replacement manure spreader that portion of the warranty not used up in time.

Warranty will be effective toward replacing spreader only and no cash payments will be made. It will be understood that the original equipment to be replaced will then become the property of Husky Farm Equipment.

This extended warranty will be effective through Husky Farm Equipment factory or factory outlet only, copy of the original invoice to be supplied along with the serial number. This warranty will not be effective for commercial custom haulers or to owners other than the original.

Transportation to and from the factory to be paid for by the owner of the equipment and not by Husky Farm Equipment.

