

Office Copy

06/28/2005 - 14, 27

Aug 25 - 8 1

Date Purchased _____ Machine Serial No. _____
Size of Spreader _____ Options _____

PLEASE NOTE:

The key number system in this parts book is arranged as follows:

- ⊙ -- Key numbers with two circles denotes main assemblies.
- -- Key numbers with one circle are individual parts.

Please order parts by number

18000 LITRE MODEL "E" HUSKY LIQUID MANURE SPREADER

358-00-00-000

OPERATING INSTRUCTIONS:

1. Heed all warnings.
2. Minimum HP requirements to safely operate on level terrain, on hilly terrain HP should be increased.

4500L	70 HP
7000L	85 HP
9000L	95 HP
12000L	110 HP
14000L	130 HP
15000L	140 HP
18000L	160 HP
23000L	200 HP
28000L	250 HP
3. If machine is equipped with hydraulic brakes that are operated from the tractor hydraulics, they will not work should the tractor motor stop. Inspect brakes before each use. Brakes must be bled before initial use unless installed at factory. When releasing brakes the tractor hydraulic lever must be put in the opposing position to release pressure. Do not put in float position they will not release.
4. Tractor PTO spline must be approximately 14" (355 mm) from end of compressed PTO for proper adjustment.
5. Hitch tanker to tractor with minimum of 1" (25mm) hardened hitch pin with a safety lock. Use 10,000 Lbs safety chain from spreader to tractor.
6. Do not use tongue jack stand to support loaded spreader. Put jack in storage position before using.
7. When hooking PTO to tractor make sure motor is stopped. Make sure QD (Quick Disconnect) safety locking pin is in locked position before using.
8. Clean off hose ends before plugging into tractor hydraulics. If spreader is equipped with hydraulic drive on spreading attachment, make sure tractor has sufficient oil flow and pressure to maintain satisfactory spread pattern, if not use another tractor.

OPERATING INSTRUCTIONS continued:

9. After using spreader in freezing conditions make sure impeller housing is drained.
10. Wash tank inside and out each time work is finished. This will increase life of tank by many years. See item 6 of Safety instructions.
11. Do not drive on public roads after dusk unless equipped with lights required by Department of Transportation in your area.
12. Remove wheels annually and grease wheel bearings.
13. Because manure smells, many farmers have made unfriendly neighbours. If in a residential area a manure injector is a recommended option to bury the smell.
14. Much of the fertilizer value of manure is lost when exposed to air. Getting the manure covered quickly is a very important part of spreading manure.
15. If rustproof coating on interior shows signs of deterioration, have interior repainted. This can be done with a roller or brush. This helps to increase the life of your spreader. It is a valuable maintenance procedure.

SAFETY INSTRUCTIONS:

Do not operate this machine until you fully understand the safe operating practices.

1. Make sure all moving parts are shielded to prevent coming in contact with loose clothing.
2. Keep children clear, do not let children or anyone ride on the spreader at anytime.
3. Do not support loaded spreader on tongue jack.
4. Keep tire pressure to recommended pressure at all times. Recommended tire pressure being:

		Lbs	KPA
40 x 14	Airplane Tires	55	379
44 x 16	Airplane Tires	55	379
47 x 18 x 18	Airplane Tires	55	379
50 x 20 x 20	Airplane Tires	55	379
16.5L x 16.1	Implement Tires	35	241
21.5L x 16.1	Implement Tires	35	241
18.4L x 26	Turf Tires	30	207
23.1L x 26	Turf Tires	24	166
28L x 26	Turf Tires	24	166
30.5L x 32	Turf Tires	24	166
35.5L x 32	20 ply Turf Tires	32	220
18L x 22.5	Truck Tires	65	448
23.5L x 25	Loader Dozer Tires	55	379

1 Lb = 6.8947 KPA

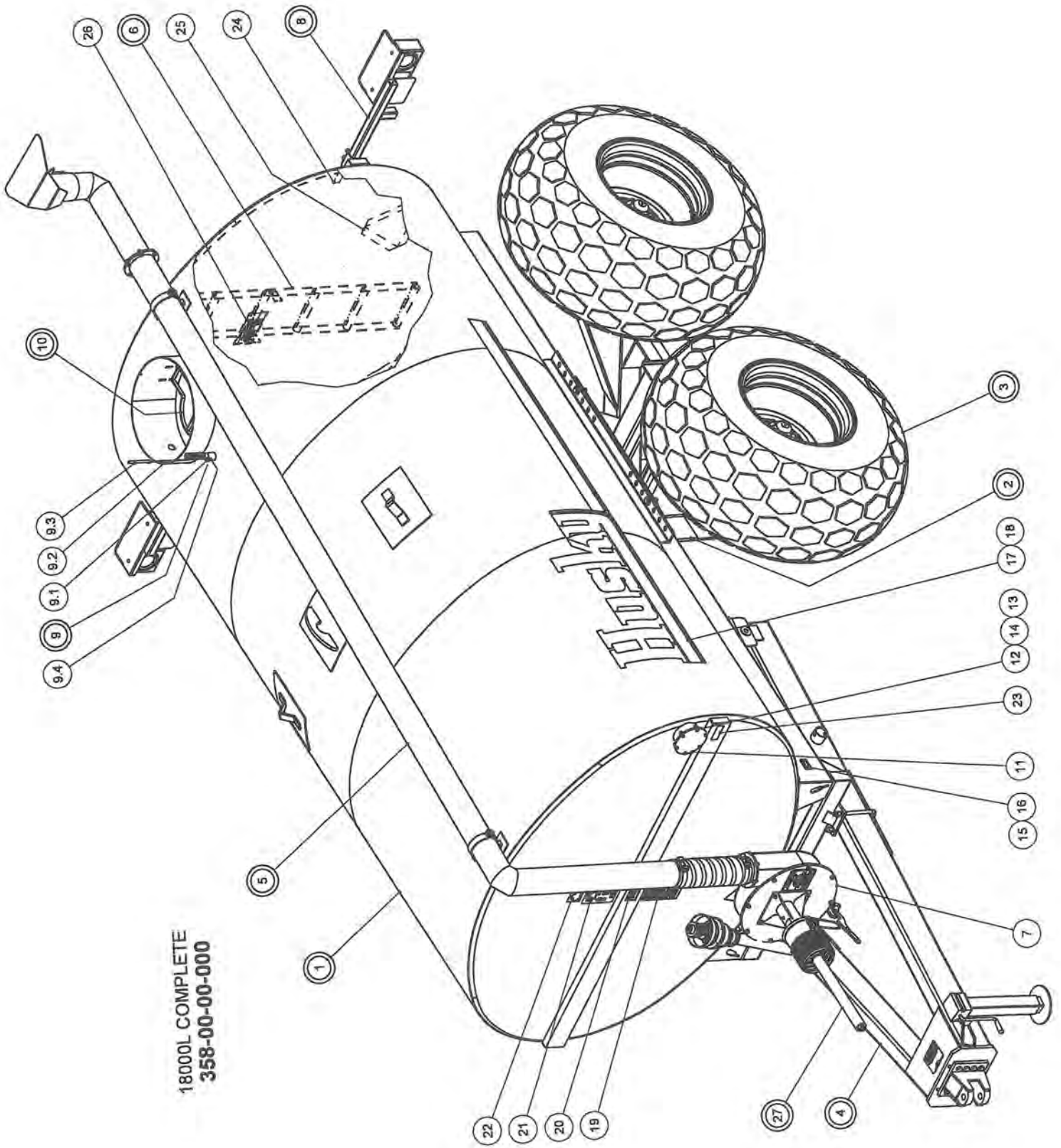
5. Keep wheel bolts torqued to recommended torque at all times.

Wheel Bolt Size	Torque		Torque	
	Dry	Ft./Lbs. Oiled	Dry	Meter/Kg Oiled
9/16 - 18 NF GR. 5	120	90	16.59	12.44
5/8 - 18 NF GR. 8	240	180	33.18	24.89
3/4 - 16 NF GR. 8	420	310	58.07	42.86

(Check Daily)

6. Never enter a tanker without special breathing equipment to supply oxygen. Manure gases can kill instantly. One breath of Hydrogen Sulphide can kill.
7. When looking up or repairing hydraulic hoses always wear safety glasses and relieve pressure to avoid getting oil in eyes.
8. Caution - disc brakes will not release unless valve lever is held momentarily in opposite position. This will relieve pressure in brake line. Do not put in float position, they will not release.

18000L TANK COMPLETE

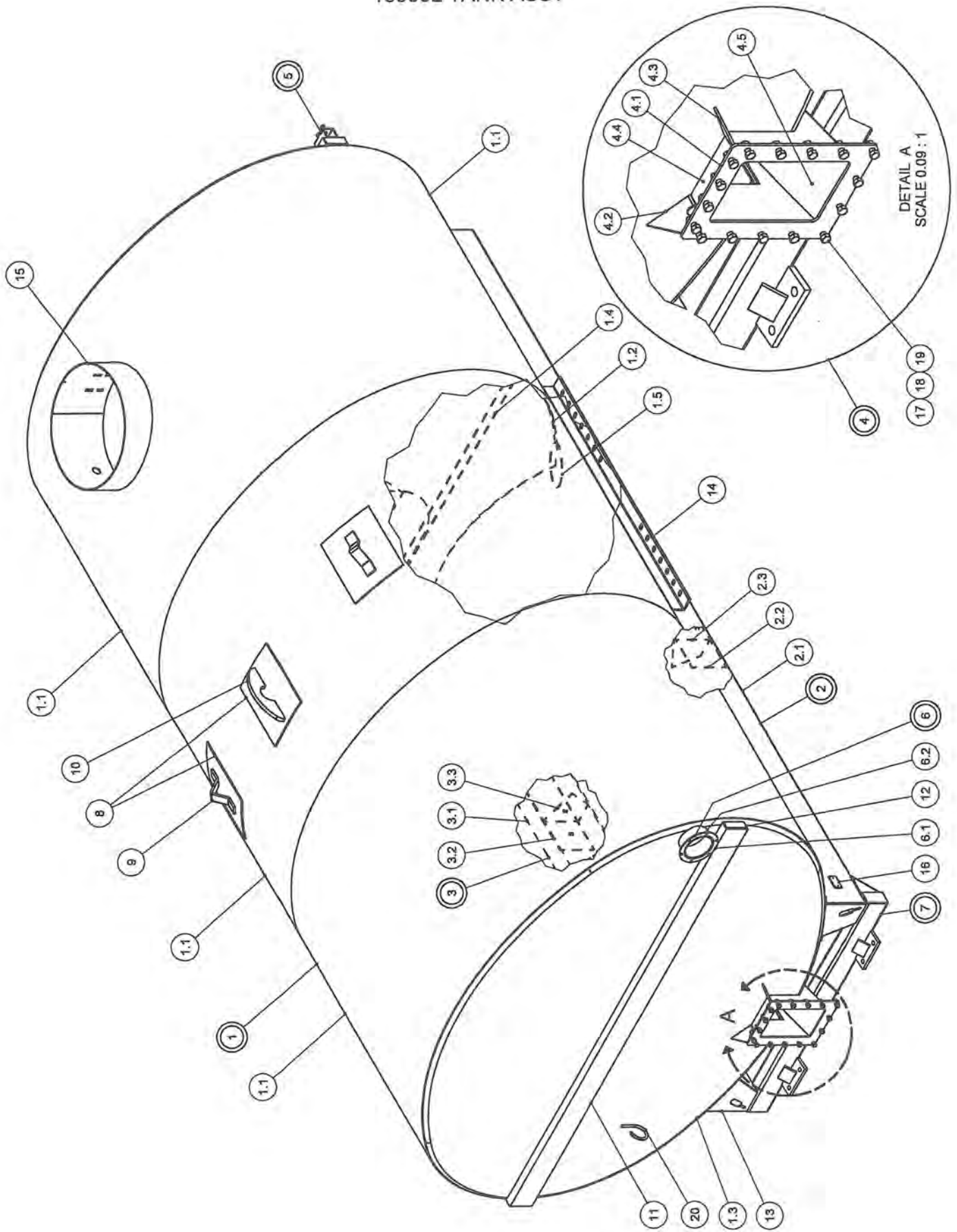


18000L COMPLETE
358-00-00-000

18000L TANK COMPLETE

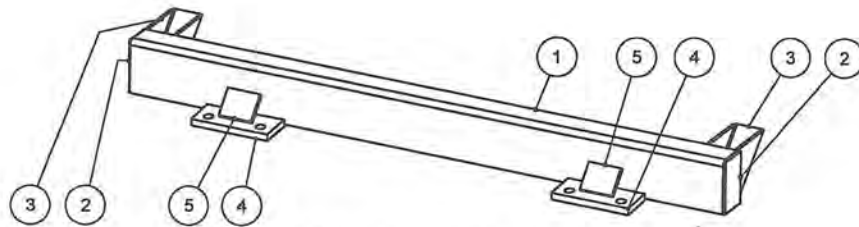
PARTS LIST			
ITEM	PART NUMBER	DESCRIPTION	QTY
1	358-31-00-000	18000L TANK & SILL ASSY	1
2	358-17-00-000	18000L AXLE KIT FOR 28L & 30.5 TIRES	1
3	330-04-00-000	28L x 26 TIRE & WHEEL ASSY	4
4	357-29-00-000	TONGUE & HITCH KIT - EXTENDED	1
5	358-12-00-000	6" DISCHARGE PIPE KIT- 18000L STD	1
6	364-95-00-000	LADDER ASSY	1
7	364-56-00-000	1000 FAN & HOUSING KIT	1
8	357-30-00-000	TAIL LIGHT KIT	1
9	340-62-00-000	INDICATOR KIT	1
9.1	340-00-00-536	FLAG SPRING HOLDER	1
9.2	R08037	SPRING FOR SPREADER FLAG	1
9.3	340-62-00-553	INDICATOR HOSE	1
9.4	R07926	5/16-18 x 1/4" SET SCREW	1
10	357-63-00-000	SAFETY BAR ASSY	1
11	330-00-00-559	ACCESS TUBE COVER PLATE	1
12	R07675	3/8 x 1 1/4" HEX BOLT	6
13	R07783	3/8 HEX NUT	6
14	R07803	3/8 LOCK WASHER	6
15	R09071	SERIAL NUMBER PLATE	1
16	R08152	6 x 1/4 PAN HD SOCKET SCREW	2
17	R09510	"HUSKY" DECAL	2
18	R09511	ACCENT STRIP	2
19	R09783	"CAUTION" DECAL	1
20	R09512	CAPACITY DECAL	1
21	R09730	TORQUE, TIRE PRESSURE DECAL	1
22	R09509	"MADE IN CANADA" DECAL - LARGE	1
23	R10097	AMBER REFLECTOR	1
24	R10096	RED REFLECTOR	2
25	R09501	SLOW MOVING VEHICLE DECAL	1
26	R10334	TOXIC GAS PICTORAL DECAL	1
27	R21582	540 RPM PTO	1

18000L TANK ASSY



18000L TANK ASSY

PARTS LIST				PARTS LIST			
ITEM	PART NUMBER	DESCRIPTION	QTY	ITEM	PART NUMBER	DESCRIPTION	QTY
1	340-01-01-000	18000 L TANK ASSY	1	5.1	357-30-03-174	MOUNT BRKT	1
1.1	340-01-01-301	TANK SHELL	3	5.2	R07674	1/2 x 1 1/4 HEX BOLT	2
1.2	340-01-01-302	FLANGED TANK BAFFLE	2	5.3	R07795	1/2" UNC FLANGE NUT	2
1.3	340-01-01-300	FLANGED TANK END	2	5.4	R08046	1/2 - 13 JAM NUT	2
1.4	340-01-01-557	BAFFLE REINFORCING BAR	4	6	330-20-03-000	ACCESS TUBE ASSY	1
1.5	340-01-01-559	OVAL REINFORCING PLATE	4	6.1	330-20-03-560	ACCESS TUBE FLANGE	1
2	340-01-02-000	R.H. SILL ASSY	1	6.2	330-20-03-556	ACCESS TUBE	1
2.1	340-01-02-303	18000 L SILL	1	7	357-60-00-000	CROSS MEMBER ASSY	1
2.2	340-01-02-3004	SILL REINFORCING	1	8	340-01-00-546	LIFT HOOK REINFORCING PLATE	3
2.3	340-01-02-305	SILL STIFFENERS	4	9	300-01-00-012	TANK LIFT HOOK	2
3	340-01-03-000	L.H. SILL ASSY	1	10	340-01-00-555	CENTER LIFT HOOK	1
3.1	340-01-02-303	18000 L SILL	1	11	340-01-06-312	TANK END STIFFENER	2
3.2	340-01-02-3004	SILL REINFORCING	1	12	340-01-06-464	TANK STIFFENER CAP	4
3.3	340-01-02-305	SILL STIFFENERS	4	13	340-01-06-311	SILL CAP	4
4	364-82-00-000	FLANGED TANK OUTLET	1	14	364-02-00-280	AXLE ADJUSTMENT ANGLE	2
4.1	364-81-02-393	HOUSING FLANGE	1	15	364-02-00-006	24" MANHOLE	1
4.2	364-82-00-395	LH OUTLET SIDE PC	1	16	340-01-00-498	SERIAL NO. BACK PLATE	1
4.3	364-82-00-396	RH OUTLET SIDE PC	1	17	R07805	1/2 LOCK WASHER	16
4.4	364-01-03-104	OUTLET TOP PC	1	18	R07785	1/2 HEX NUT	17
4.5	364-01-03-105	OUTLET BOTTOM PC	1	19	R07674	1/2 x 1 1/4 HEX BOLT	27
5	357-30-03-000	MOUNT BRKT ASSY	2	20	315-30-00-108	HYD. HOSE HOOK	1

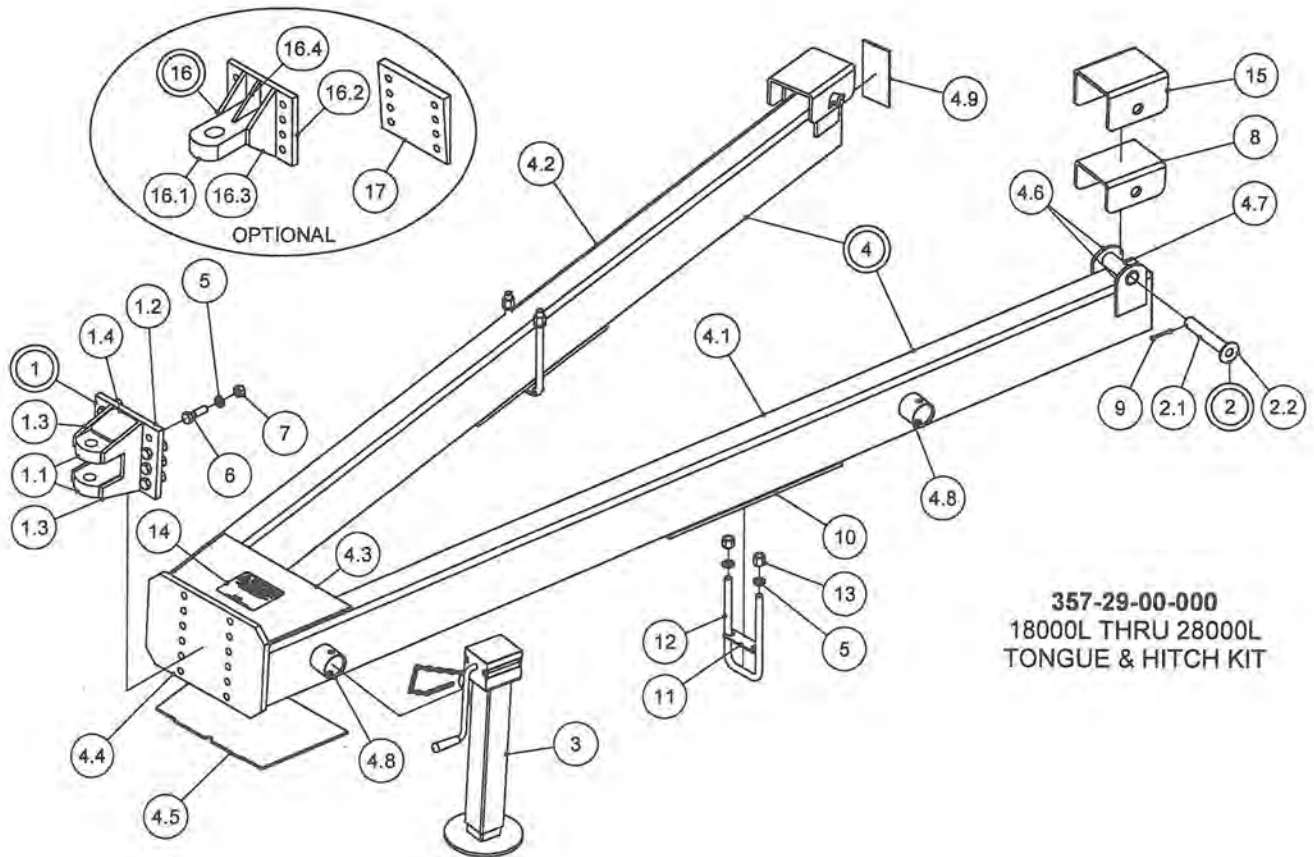


**CROSS MEMBER ASSY
364-42-00-000**

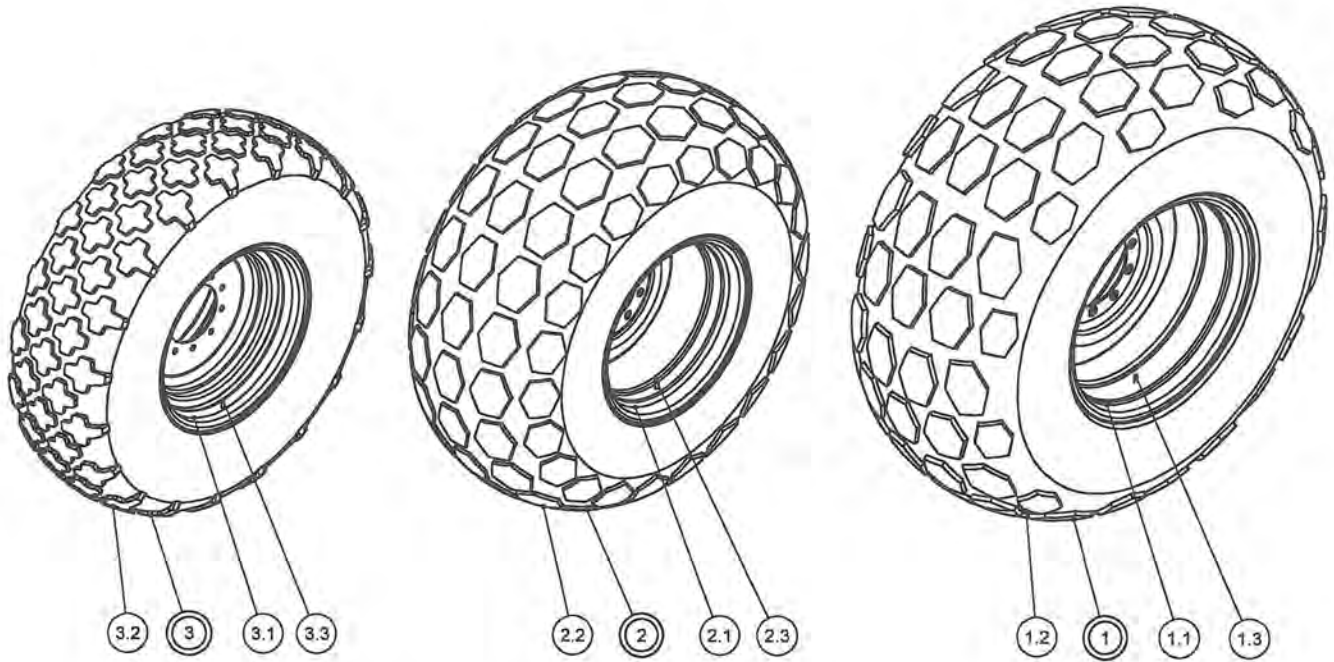
PARTS LIST			
ITEM	PART NUMBER	DESCRIPTION	QTY
1	357-60-00-290	CROSS MEMBER	1
2	357-60-00-291	END CAP	2
3	357-60-00-292	DOUBLE GUSSET	2
4	357-28-00-168	TONGUE STRAP	2
5	364-02-17-123	TONGE STRAP GUSSET	2

18000L THRU 28000L TONGUE & HITCH KIT

PARTS LIST				PARTS LIST			
ITEM	PART NUMBER	DESCRIPTION	QTY	ITEM	PART NUMBER	DESCRIPTION	QTY
1	358-43-00-000	HITCH ASSY	1	4.9	315-36-00-147	TONGUE TUBE COVER	2
1.1	358-43-00-140	HITCH PLATE	2	5	R07807	3/4" LOCK WASHER	12
1.2	358-43-00-139	HITCH BACK PLATE	1	6	R07855	3/4 x 2 1/2 HEX BOLT	8
1.3	358-43-00-141	HITCH SIDE GUSSET	2	7	R07787	3/4 - 10 UNC HEX NUT	8
1.4	358-43-00-142	HITCH UPPER GUSSET	2	8	315-31-00-115	TONGUE "U" PC	2
2	315-39-00-000	LOCK PIN ASSY	2	9	R08016	1/4 x 2 COTTER PIN	2
2.1	315-39-00-155	TONGUE LOCK PIN	1	10	357-00-00-129	TONGUE REINFORCING PLATE	2
2.2	R07828	1" FLAT WASHER	1	11	364-00-00-131	U - BOLT SPACER	2
3	357-14-00-000	8000 LB JACK KIT	1	12	R08172	3/4" UNF x 10" - "U" BOLT	2
4	357-27-00-000	TONGUE ASSY	1	13	R07820	3/4" FED. HIGH HEX NUT	4
4.1	357-27-00-165	LH TONGUE TUBE	1	14	R09672	CAUTION PTO LENGTH DECAL	1
4.2	357-27-00-164	RH TONGUE TUBE	1	15	394-03-00-014	TONGUE "U" PC	2
4.3	357-27-00-166	UPPER TONGUE TUBE GUSSET	1	16	358-44-00-000	SINGLE POINT HITCH ASSY	1
4.4	358-42-00-137	HITCH BOLT PLATE	1	16.1	364-26-00-091	SINGLE POINT HITCH	1
4.5	357-27-00-310	LOWER TONGUE TUBE GUSSET	1	16.2	358-43-00-139	HITCH BACK PLATE	1
4.6	315-36-00-146	TONGUE SIDE PC	4	16.3	358-44-00-144	SIDE GUSSET	2
4.7	315-36-00-145	TONGUE BUSHING	2	16.4	358-44-00-145	TOP GUSSET	2
4.8	364-35-00-245	TONGUE JACK BRKT	2	17	358-00-00-143	WEDGE PLATE	1



18000L TIRES



18.4L x 26 TIRE & WHEEL ASSY
340-68-00-000

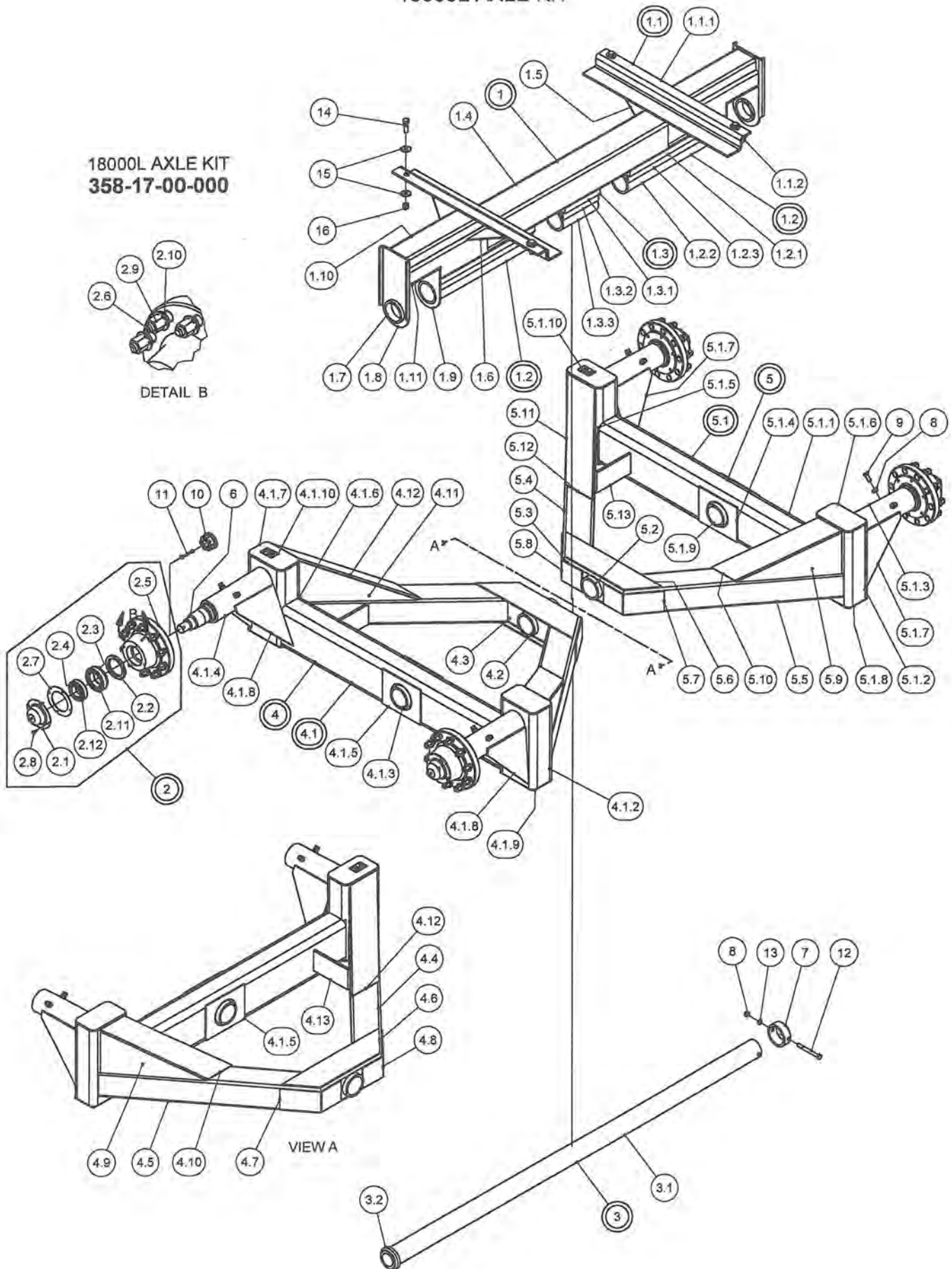
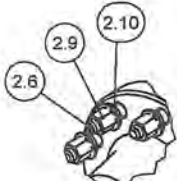
28L x 26 TIRE & WHEEL ASSY
330-04-00-000

30.5L x 32 TIRE & WHEEL ASSY
357-07-00-000

PARTS LIST			
ITEM	PART NUMBER	DESCRIPTION	QTY
1	357-07-00-000	30.5L x 32 TIRE & WHEEL ASSY - 25000LB	1
1.1	R22071	30.5 - 25000lb RIM	1
1.2	R22070	30.5L x 32 R3 12 PLY TIRE	1
1.3	R20161	VALVE STEM	1
2	330-04-00-000	28L x 26 TIRE & WHEEL ASSY	1
2.1	R20040	28L x 26 - 16000lb RIM	1
2.2	R20015	28L x 26 TURF TIRE	1
2.3	R20161	VALVE STEM	1
3	340-68-00-000	18.4 X 26 TIRE & WHEEL ASSY	1
3.1	R20075	16" x 26" 10 BOLT WHEEL	1
3.2	R20100	18.4" x 26" 10 PLY TBLT TIRE	1
3.3	R20161	VALVE STEM	1

18000L AXLE KIT

18000L AXLE KIT
358-17-00-000

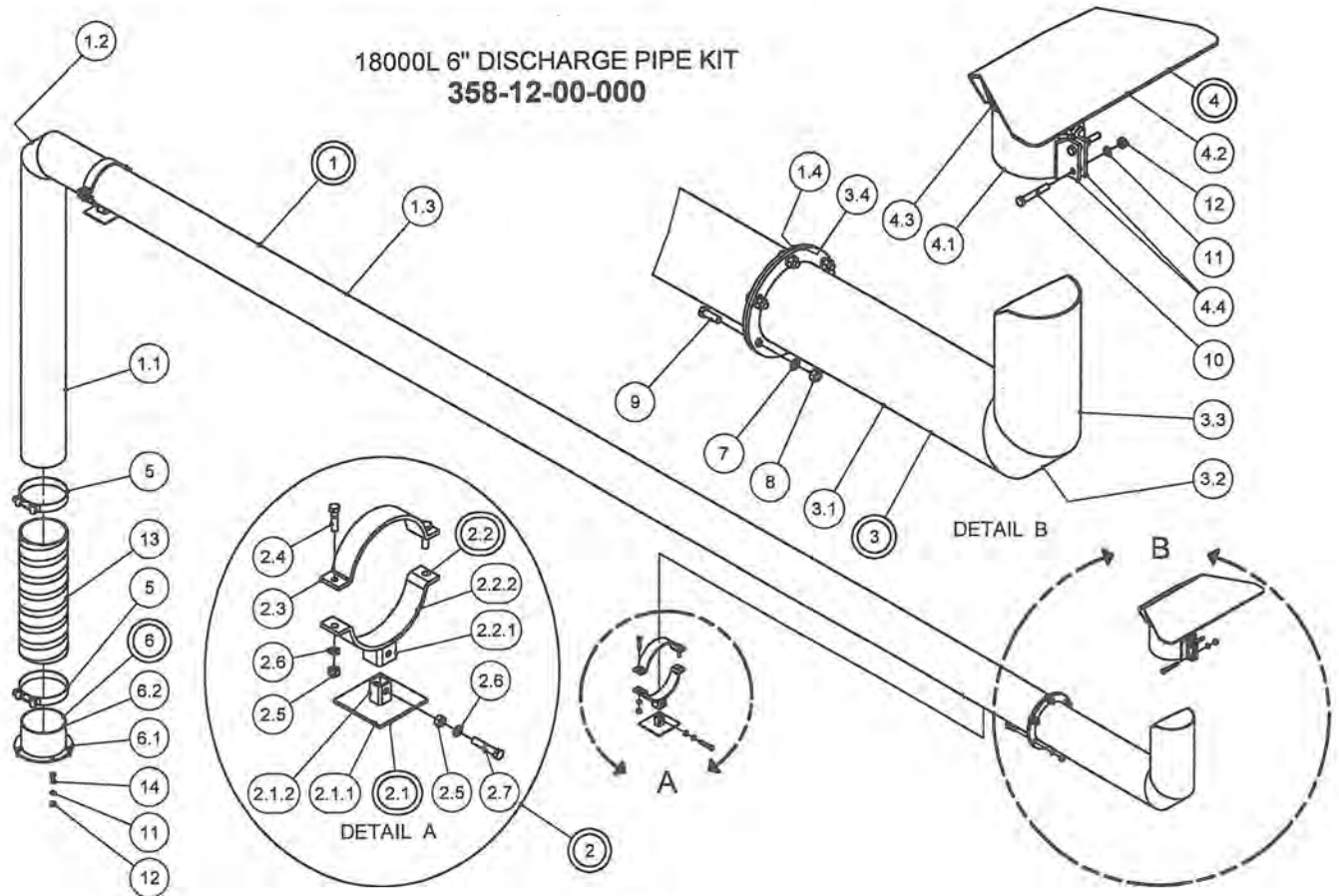


18000L AXLE KIT

PARTS LIST				PARTS LIST			
ITEM	PART NUMBER	DESCRIPTION	QTY	ITEM	PART NUMBER	DESCRIPTION	QTY
1	358-17-03-000	BASE FRAME ASSY	1	4.2	358-83-01-235	WALKER SLEEVE	1
1.1	330-69-01-000	SILL "Z" PLATE ASSY	2	4.3	358-17-06-511	CENTER CONNECTOR TUBE	1
1.1.1	358-85-00-253	SILL "Z" PLATE	1	4.4	358-17-06-512	FRONT TANDEM ARM	1
1.1.2	330-69-00-550	GUSSET	2	4.5	358-17-06-513	REAR TANDEM ARM	1
1.2	358-17-04-000	OUTER SLEEVE ASSY	2	4.6	358-17-06-514	REINFORCING PLATE	2
1.2.1	358-17-04-486	CENTER SPACER BAR	1	4.7	358-17-06-515	TIE PLATE REAR	1
1.2.2	358-17-04-488	CENTER SLEEVE	1	4.8	358-17-06-516	TIE PLATE-FRONT	1
1.2.3	358-17-04-487	LONG SPACER CHANNEL	1	4.9	358-17-06-517	REAR ARM GUSSET	2
1.3	358-09-02-000	OUTER SLEEVE ASSY	1	4.10	358-17-06-518	REAR ARM CAP	1
1.3.1	358-85-00-251	SPACER BAR	1	4.11	358-17-06-519	FRONT ARM GUSSET	2
1.3.2	340-07-08-323	5" CHANNEL @ 9LB	1	4.12	358-17-06-520	FRONT ARM CAP	1
1.3.3	340-07-08-322	STATIONARY SLEEVE	1	4.13	358-17-06-521	CORNER GUSSET	2
1.4	358-17-03-484	CROSS AXLE SUPPORT	1	5	358-17-08-000	RH TANDEM SIDE ASSY	1
1.5	340-07-00-330	DOUBLE GUSSET	4	5.1	358-17-09-000	RH WALKING BEAM ASSY	1
1.6	358-03-00-355	GUSSET	4	5.1.1	358-17-07-510	WALKING BEAM	1
1.7	358-17-03-501	HANGER TUBE	2	5.1.2	358-17-02-483	VERTICAL SPINDLE TUBE	2
1.8	358-17-03-485	HANGER BRKT	2	5.1.3	358-83-01-230	SPINDLE SLEEVE	2
1.9	358-17-03-489	FILLER PLATE	2	5.1.4	395-01-01-004	REINFORCING PLATE	2
1.10	358-17-03-500	"U" CHANNEL	2	5.1.5	394-01-03-056	FILLER BAR	4
1.11	358-17-03-509	BOTTOM CAP	2	5.1.6	395-01-01-005	TUBE CAPS	2
2	358-11-00-000	16000LB DUCTILE HUB KIT	4	5.1.7	358-17-02-498	SPINDLE SLEEVE GUSSET	4
2.1	R20093	16000LB DUST CAP w/ FTG.	1	5.1.8	358-17-02-502	REINFORCING CAP	2
2.2	R20083	CR-38730 HUB SEAL	1	5.1.9	358-83-01-235	WALKER SLEEVE	1
2.3	R20086	3 1/4" 476871 INNER CONE	1	5.1.10	358-01-00-401	"FRONT" PLATE	1
2.4	R20087	39585 2 1/2 OUTER CONE	1	5.2	358-83-01-235	WALKER SLEEVE	1
2.5	R22049	HUB,C,BT,N,W,358-11-00-259	1	5.3	358-17-06-511	CENTER CONNECTOR TUBE	1
2.6	R20096	3/4" WHEEL BOLTS	10	5.4	358-17-06-512	FRONT TANDEM ARM	1
2.7	R20084	DUST CAP GASKET. 10 BOLT	1	5.5	358-17-06-513	REAR TANDEM ARM	1
2.8	R07690	5/16 x 5/8 HEX BOLT	4	5.6	358-17-06-514	REINFORCING PLATE	2
2.9	R07820	3/4" FED. HIGH HEX NUT	10	5.7	358-17-06-515	TIE PLATE REAR	1
2.10	R20152	3/4" SPHERICAL WASHER	10	5.8	358-17-06-516	TIE PLATE-FRONT	1
2.11	R20088	47620 INNER CUP	1	5.9	358-17-06-517	REAR ARM GUSSET	2
2.12	R20089	39520 OUTER CUP	1	5.10	358-17-06-518	REAR ARM CAP	1
3	358-17-05-000	MAIN AXLE TUBE ASSY	1	5.11	358-17-06-519	FRONT ARM GUSSET	2
3.1	358-17-05-499	MAIN AXLE TUBE	1	5.12	358-17-06-520	FRONT ARM CAP	1
3.2	340-63-00-538	STOP RING	1	5.13	358-17-06-521	CORNER GUSSET	2
4	358-17-06-000	LH TANDEM SIDE ASSY	1	6	340-00-00-347	16000 SPINDLE	4
4.1	358-17-07-000	LH WALKING BEAM ASSY	1	7	340-00-00-346	RETAINING RING	1
4.1.1	358-17-07-510	WALKING BEAM	1	8	R07786	5/8 HEX NUT	9
4.1.2	358-17-02-483	VERTICAL SPINDLE TUBE	2	9	R07927	5/8 x 1 1/2 SQ. HD. SET SCREW	8
4.1.3	358-83-01-235	WALKER SLEEVE	1	10	R20094	SPINDLE FLANGE NUT 1 3/4 - 12 UNF	4
4.1.4	358-83-01-230	SPINDLE SLEEVE	2				
4.1.5	395-01-01-004	REINFORCING PLATE	2	11	R20095	5/16 x 4 COTTER PIN	4
4.1.6	394-01-03-056	FILLER BAR	4	12	R07653	5/8 x 6 HEX BOLT	1
4.1.7	395-01-01-005	TUBE CAPS	2	13	R07606	5/8 LOCK WASHER	1
4.1.8	358-17-02-498	SPINDLE SLEEVE GUSSET	4	14	R07655	3/4 x 2 1/2 HEX BOLT	4
4.1.9	358-17-02-502	REINFORCING CAP	2	15	R07827	3/4" FLAT WASHER	8
4.1.10	358-01-00-401	"FRONT" PLATE	1	16	R07878	3/4 NYLOCK NUT	4

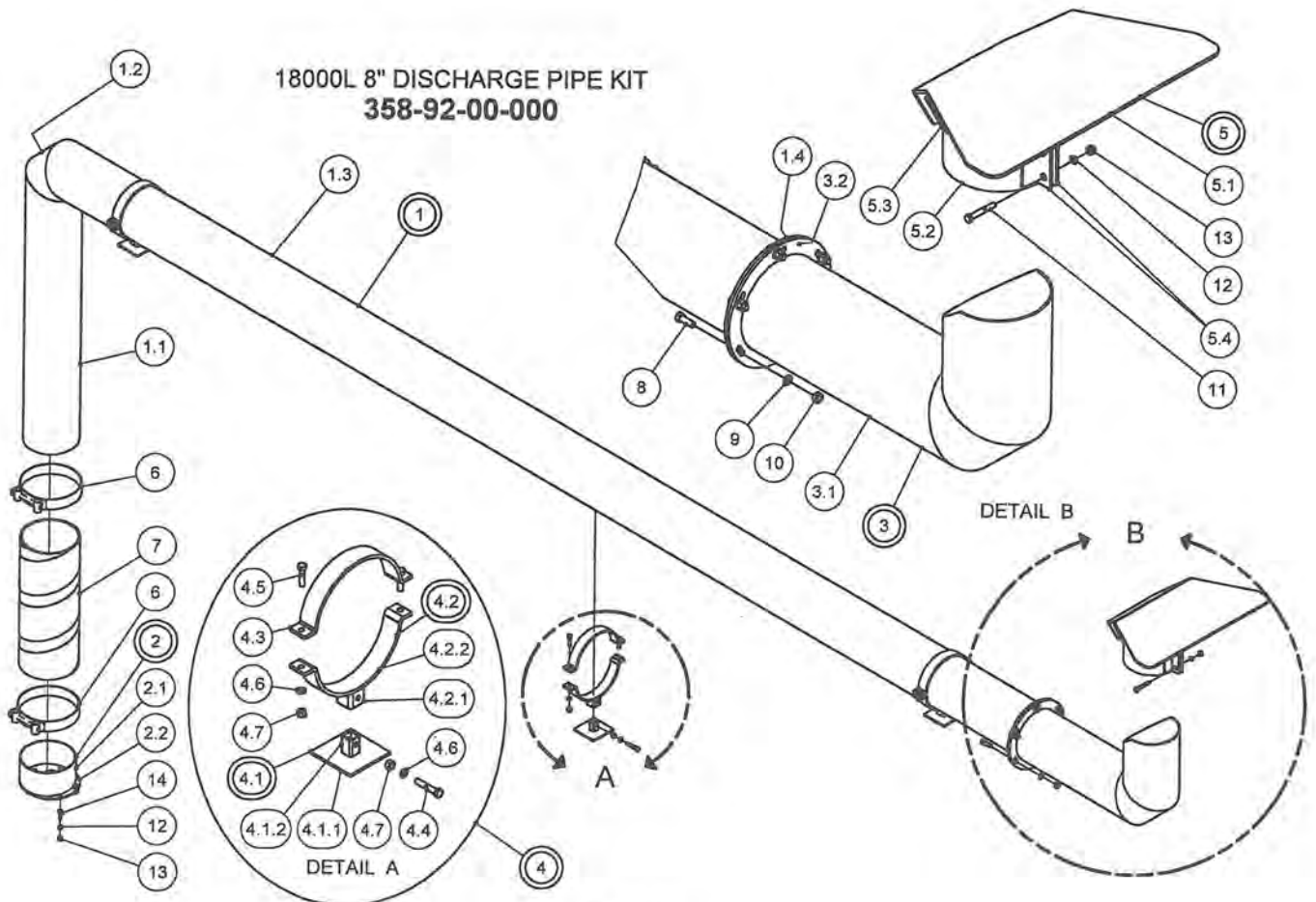
18000L 6" DISCHARGE PIPE KIT

PARTS LIST				PARTS LIST			
ITEM	PART NUMBER	DESCRIPTION	QTY	ITEM	PART NUMBER	DESCRIPTION	QTY
1	358-32-00-000	6" DISCHARGE PIPE ASSY	1	3.3	364-25-00-067	DISCHARGE PIPE END PC	1
1.1	358-32-00-109	VERTICAL DISCHARGE PIPE	1	3.4	364-19-00-087	DISCHARGE PIPE FLANGE	1
1.2	364-19-00-082	DISCHARGE PIPE CORNER PC	1	4	364-68-00-000	SPLASH PLATE ASSY	1
1.3	359-30-00-108	DISCHARGE PIPE HORZ. PC	1	4.1	364-68-00-215	CLAMPING TUBE	1
1.4	364-19-00-087	DISCHARGE PIPE FLANGE	1	4.2	364-21-00-069	SPLASH PLATE	1
2	357-16-00-000	6" DISCHARGE PIPE HOLDER KIT	2	4.3	364-21-00-224	SPLASH PLATE WING	2
2.1	357-16-01-000	DISCHARGE PIPE BASE HOLDER ASSY	1	4.4	364-21-00-071	CLAMPING TUBE BRKT	2
2.1.1	357-16-01-130	BASE PLATE	1	5	R02482	6" HOSE CLAMP	2
2.1.2	357-16-01-131	LOWER STUB	1	6	364-31-00-000	HOSE TUBE ASSY - 6"	1
2.2	357-16-02-000	PIPE HOLDER ASSY	1	6.1	364-01-03-376	DISCHARGE RING	1
2.2.1	357-16-02-137	UPPER STUB	1	6.2	364-01-03-063	DISCHARGE TUBE	1
2.2.2	357-16-00-133	TOP PIPE HOLDER - 6"	1	7	R07804	7/16 LOCK WASHER	6
2.3	357-16-00-133	TOP PIPE HOLDER - 6"	1	8	R07784	7/16 HEX NUT	6
2.4	R07620	3/8 x 1 1/2 HEX BOLT	2	9	R07671	7/16 x 1 1/4 HEX BOLT	6
2.5	R07783	3/8 HEX NUT	3	10	R07622	3/8 x 2 1/2 HEX BOLT	2
2.6	R07803	3/8 LOCK WASHER	3	11	R07803	3/8 LOCK WASHER	7
2.7	R07621	3/8 x 2" HEX BOLT	1	12	R07783	3/8 HEX NUT	7
3	364-25-00-000	DISCHARGE PIPE END SECTION ASSY	1	13	364-00-00-066	HOSE SECTION	1
3.1	364-25-00-088	DISCHARGE PIPE FLANGE PC	1	14	R07619	3/8 x 1 HEX BOLT	5
3.2	364-19-00-082	DISCHARGE PIPE CORNER PC	1				



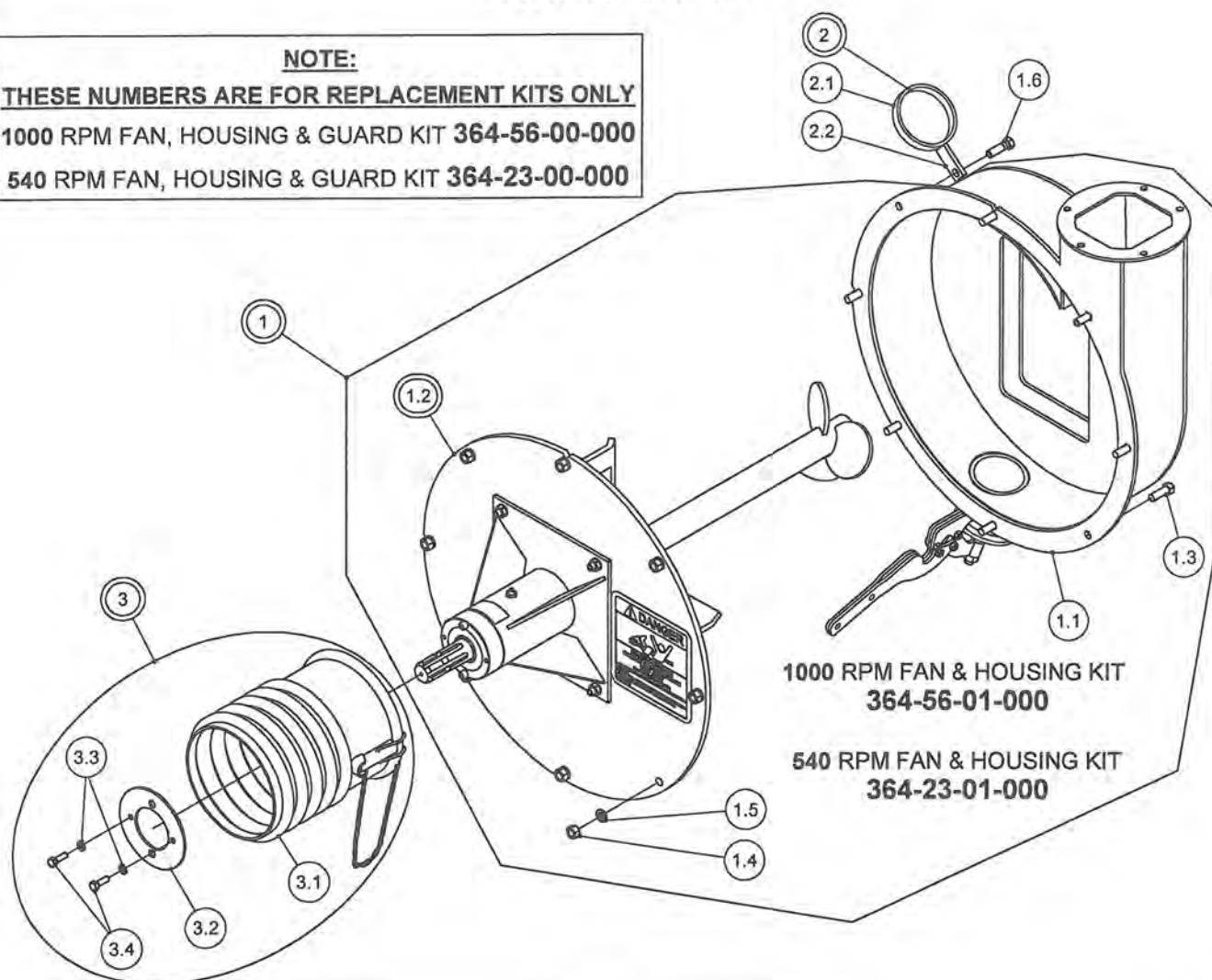
18000L 8" DISCHARGE PIPE KIT

PARTS LIST				PARTS LIST			
ITEM	PART NUMBER	DESCRIPTION	QTY	ITEM	PART NUMBER	DESCRIPTION	QTY
1	358-92-02-000	8" DISCHARGE PIPE ASSY-18000L	1	4.4	R07621	3/8 x 2" HEX BOLT	1
1.1	358-92-02-525	DISCHARGE VERTICAL PIPE	1	4.5	R07620	3/8 x 1 1/2 HEX BOLT	2
1.2	358-92-02-524	DISCHARGE ELBOW PC	1	4.6	R07803	3/8 LOCK WASHER	3
1.3	358-92-02-303	8" HORIZONTAL DISCHARGE PIPE	1	4.7	R07783	3/8 HEX NUT	3
1.4	358-92-02-306	8" DISCHARGE FLANGE	1	5	358-92-04-000	8" SPLASH PLATE ASSY	1
2	358-92-01-000	8" HOUSING RING & TUBE ASSY	1	5.1	358-92-04-308	8" SPLASH PLATE	1
2.1	358-92-01-302	8" HOUSING OUTLET TUBE	1	5.2	358-92-04-309	8" SPLASH PLATE TUBE	1
2.2	358-92-01-301	8" HOUSING DISCHARGE RING	1	5.3	358-92-04-310	WING FOR 8" SPLASH PLATE	2
3	358-92-03-000	8" EXTENSION PIPE ASSY	1	5.4	358-92-04-311	CLAMPING TUBE BRKT	2
3.1	358-92-03-307	8" EXTENSION PIPE	1	6	R02484	8" SUCTION HOSE CLAMP	2
3.2	358-92-02-306	8" DISCHARGE FLANGE	1	7	358-92-00-329	8" DISCHARGE HOSE	1
4	357-17-00-000	8" DISCHARGE PIPE HOLDER KIT	3	8	R07671	7/16 x 1 1/4 HEX BOLT	6
4.1	357-16-01-000	DISCH. PIPE BASE HOLDER ASSY	1	9	R07804	7/16 LOCK WASHER	6
4.1.1	357-16-01-130	BASE PLATE	1	10	R07784	7/16 HEX NUT	6
4.1.2	357-16-01-131	LOWER STUB	1	11	R07622	3/8 x 2 1/2 HEX BOLT	2
4.2	357-17-01-000	PIPE HOLDER ASSY - 8"	1	12	R07803	3/8 LOCK WASHER	7
4.2.1	357-16-02-137	UPPER STUB	1	13	R07783	3/8 HEX NUT	7
4.2.2	357-17-00-135	TOP PIPE HOLDER - 8"	1	14	R07619	3/8 x 1 HEX BOLT	5
4.3	357-17-00-135	TOP PIPE HOLDER - 8"	1				



FAN & HOUSING KIT

NOTE:
THESE NUMBERS ARE FOR REPLACEMENT KITS ONLY
1000 RPM FAN, HOUSING & GUARD KIT 364-56-00-000
540 RPM FAN, HOUSING & GUARD KIT 364-23-00-000



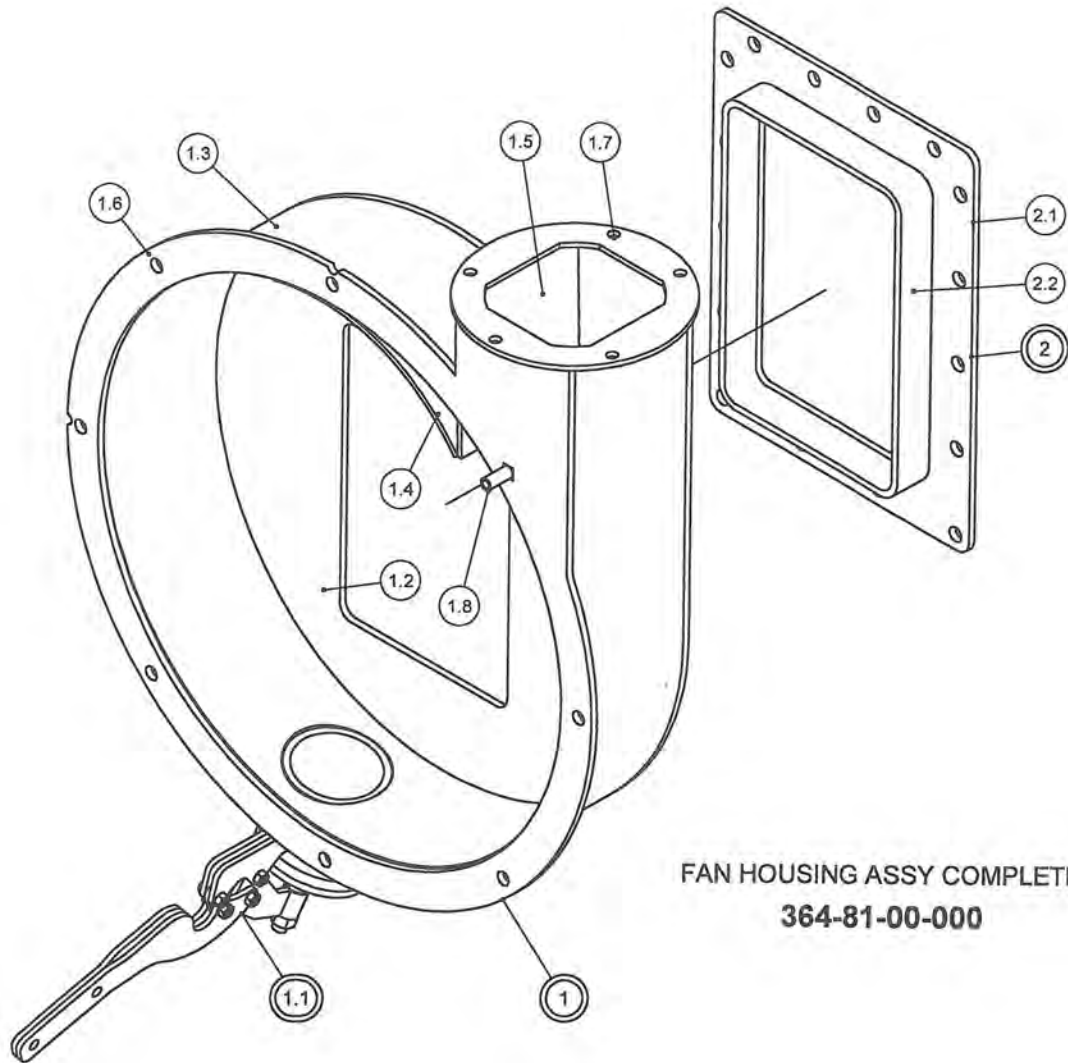
**1000 RPM FAN & HOUSING KIT
364-56-01-000**

**540 RPM FAN & HOUSING KIT
364-23-01-000**

PARTS LIST

ITEM	PART NUMBER	DESCRIPTION	QTY
1	364-56-01-000	1000 FAN & HOUSING KIT	1
1	364-23-01-000	540 FAN & HOUSING KIT	1
1.1	364-81-00-000	FAN HOUSING ASSY COMPLETE	1
1.2	364-66-01-000	1000 RPM FAN & COVER PLATE	1
1.2	364-65-01-000	540 RPM FAN & COVER PLATE	1
1.3	R07671	7/16 x 1 1/4 HEX BOLT	6
1.4	R07784	7/16 HEX NUT	8
1.5	R07804	7/16 LOCK WASHER	8
1.6	R07629	7/16 x 1 1/2 HEX BOLT	1
2	364-41-00-000	PTO HOLDER ASSY	1
2.1	364-41-00-132	PTO HOLDER	1
2.2	364-41-00-133	PTO HOLDER BRACKET	1
3	364-69-00-000	PLASTIC PTO GUARD KIT	1
3.1	R22196	SHEILD CONE ASSY	1
3.2	364-00-00-448	GUARD SUPPORT	1
3.3	R07802	5/16 LOCK WASHER	2
3.4	R07611	5/16 x 1" HEX BOLT	2

FAN HOUSING ASSY



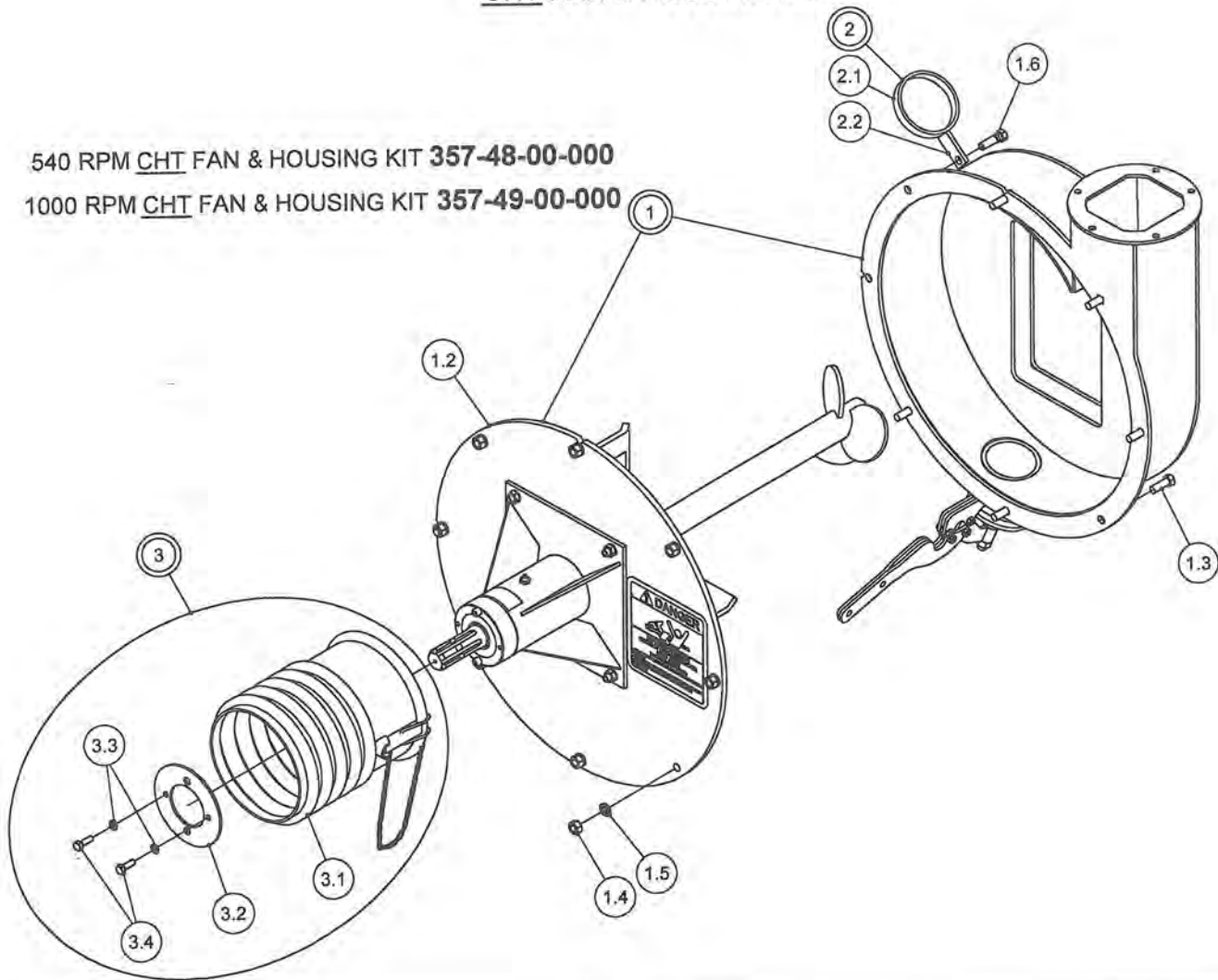
FAN HOUSING ASSY COMPLETE
364-81-00-000

PARTS LIST			
ITEM	PART NUMBER	DESCRIPTION	QTY
1	364-81-01-000	FAN HOUSING ASSY LESS FLANGE	1
1.1	364-62-00-000	DRAIN PLUG KIT	1
1.2	364-01-03-106	HOUSING BACK PLATE	1
1.3	364-01-03-018	HOUSING BAND	1
1.4	364-01-03-156	HOUSING BAND AID	1
1.5	364-01-03-081	FAN HOUSING VERTICAL PC	1
1.6	364-01-03-019	HOUSING FLANGE	1
1.7	364-01-03-376	DISCHARGE RING	1
1.8	R07774	7/16 x 1 1/4" GR 5 CARRIAGE BOLT	1
2	364-81-02-000	HOUSING INLET FLANGE ASSY	1
2.1	364-81-02-393	HOUSING FLANGE	1
2.2	364-81-02-424	INLET EXTENSION TUBE	1

CHT FAN & HOUSING KIT

540 RPM CHT FAN & HOUSING KIT **357-48-00-000**

1000 RPM CHT FAN & HOUSING KIT **357-49-00-000**

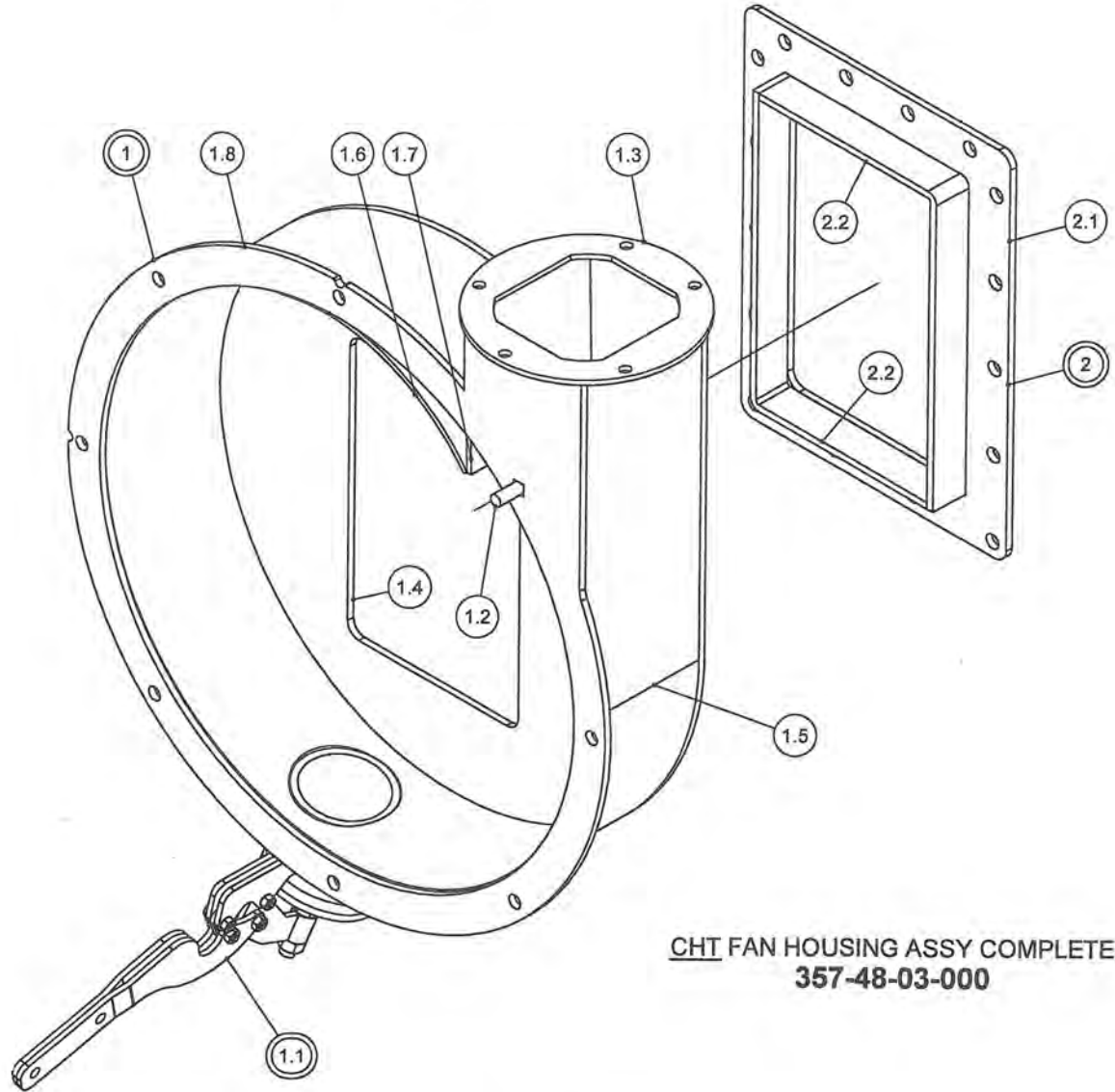


PARTS LIST

ITEM	PART NUMBER	DESCRIPTION	QTY
1	357-49-03-000	CHT 1000 RPM FAN & HOUSING KIT	OPT
1	357-48-06-000	CHT 540 FAN & HOUSING KIT	1
1.1	357-48-03-000	CHT FAN HOUSING ASSY COMPLETE	1
1.2	364-65-01-000	540 RPM FAN & COVER PLATE	1
1.3	R07671	7/16 x 1 1/4 HEX BOLT	6
1.4	R07784	7/16 HEX NUT	8
1.5	R07804	7/16 LOCK WASHER	8
1.6	R07629	7/16 x 1 1/2 HEX BOLT	1
2	364-41-00-000	PTO HOLDER ASSY	1
2.1	364-41-00-132	PTO HOLDER	1
2.2	364-41-00-133	PTO HOLDER BRACKET	1
3	364-69-00-000	PLASTIC PTO GUARD KIT	1
3.1	R22196	SHEILD CONE ASSY	1
3.2	364-00-00-448	GUARD SUPPORT	1
3.3	R07802	5/16 LOCK WASHER	2
3.4	R07611	5/16 x 1" HEX BOLT	2

OPT - OPTIONAL

CHT FAN HOUSING ASSY

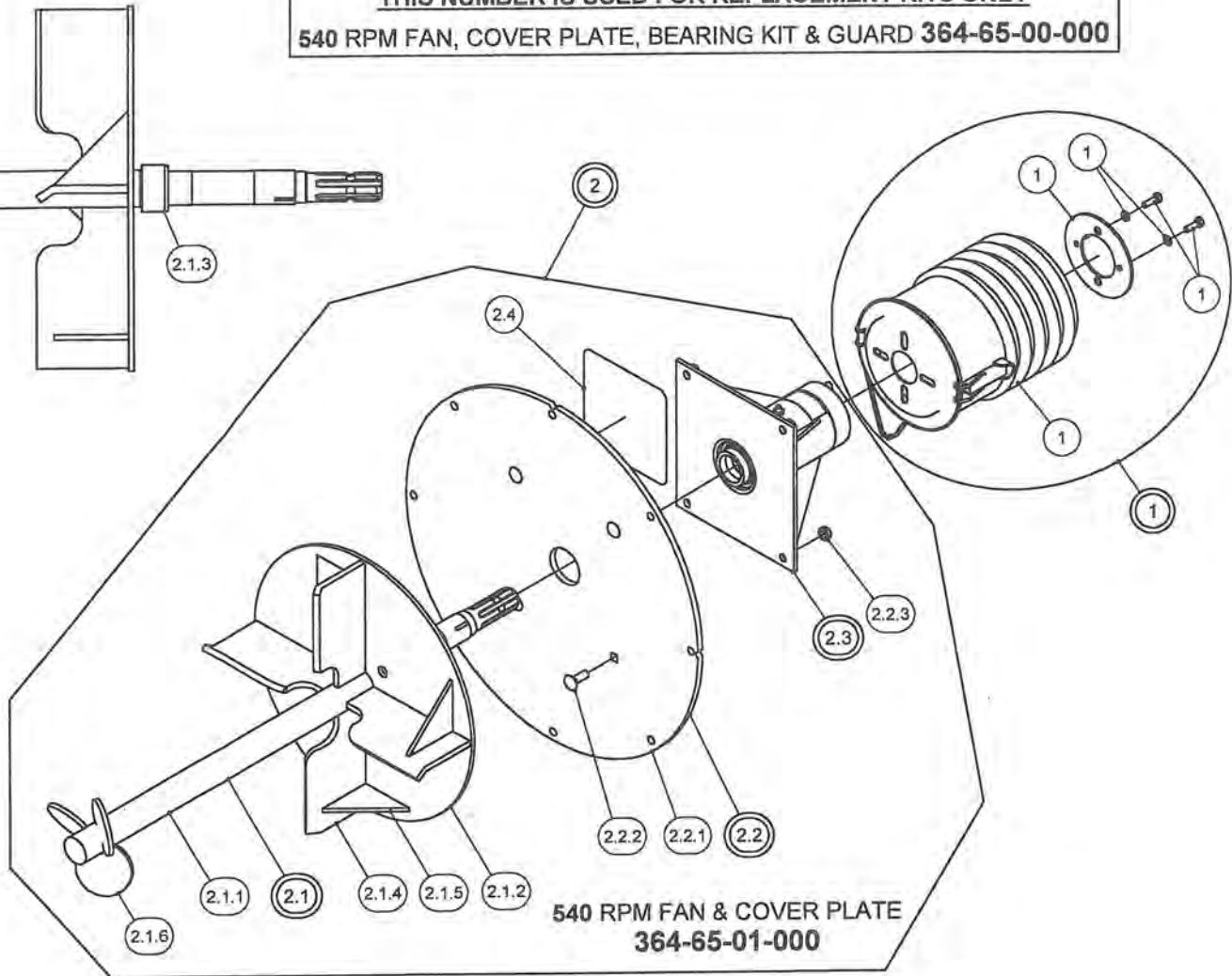


CHT FAN HOUSING ASSY COMPLETE
357-48-03-000

PARTS LIST			
ITEM	PART NUMBER	DESCRIPTION	QTY
1	357-48-01-000	CHT FAN HOUSING ASSY LESS FLANGE	1
1.1	364-62-00-000	DRAIN PLUG KIT	1
1.2	R07732	7/16 x 1 1/4 CARRIAGE BOLT	1
1.3	364-01-03-376	DISCHARGE RING	1
1.4	357-48-01-228	CHT HOUSING BACK PLATE	1
1.5	357-48-01-232	CHT HOUSING BAND	1
1.6	357-48-01-231	CHT HOUSING BAND AID	1
1.7	357-48-01-230	CHT FAN HOUSING VERTICAL PC	1
1.8	357-48-01-229	CHT HOUSING FLANGE	1
2	357-48-02-000	CHT HOUSING INLET FLANGE ASSY	1
2.1	364-81-02-393	HOUSING FLANGE	1
2.2	357-48-02-233	CHT INLET EXTENSION	2

540 RPM FAN, COVER PLATE, & BRG KIT

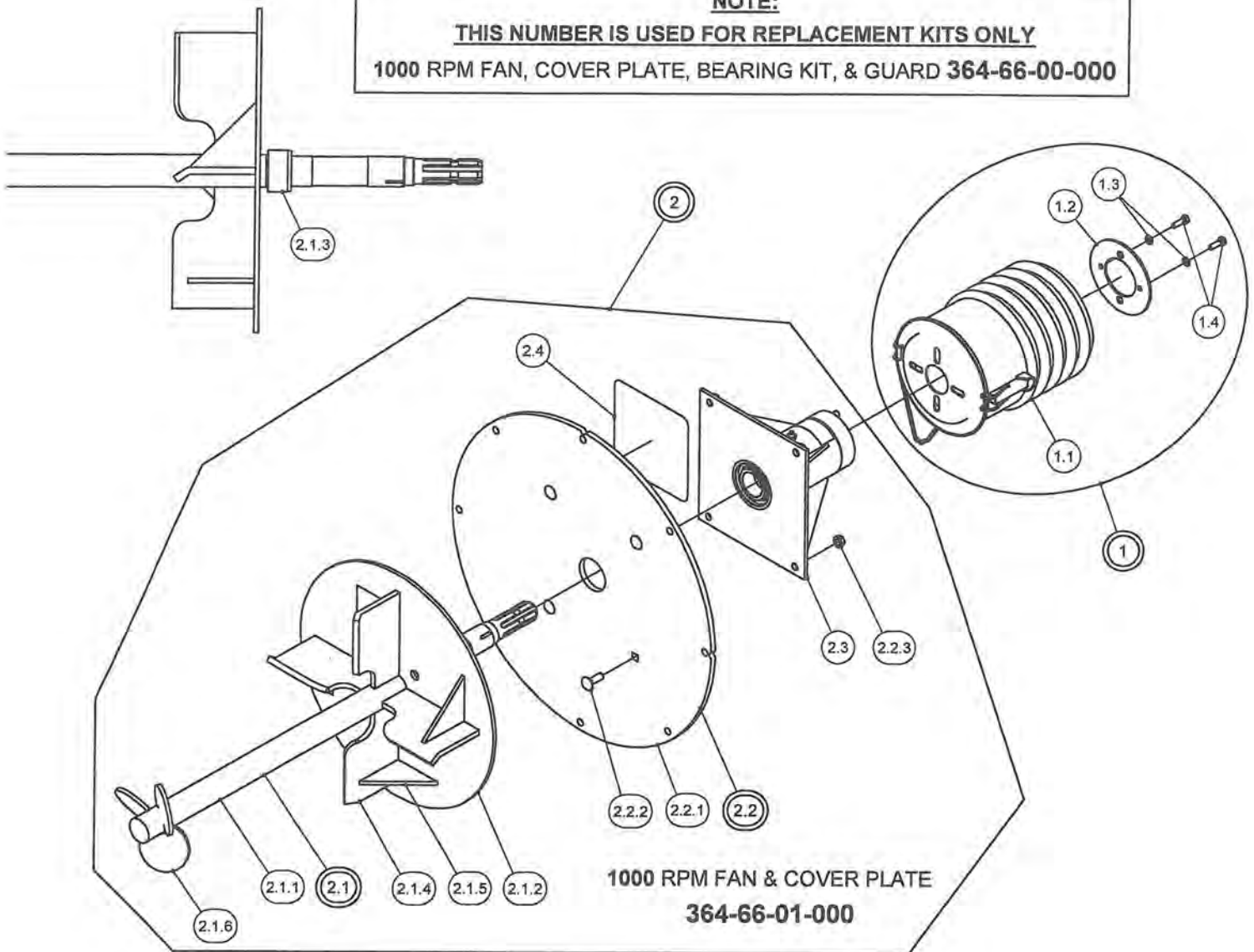
NOTE:
THIS NUMBER IS USED FOR REPLACEMENT KITS ONLY
540 RPM FAN, COVER PLATE, BEARING KIT & GUARD 364-65-00-000



PARTS LIST				PARTS LIST			
ITEM	PART NUMBER	DESCRIPTION	QTY	ITEM	PART NUMBER	DESCRIPTION	QTY
1	364-69-00-000	PLASTIC PTO GUARD KIT	1	2.1.6	364-72-00-227	AGITATOR BLADE	3
2	364-65-01-000	540 RPM FAN & COVER PLATE	1	2.2	364-67-00-000	COVER PLATE ASSY	1
2.1	364-72-00-000	540 RPM SHAFT & IMP. ASSY - CHT	1	2.2.1	364-67-00-211	HOUSING COVER PLATE	1
2.1.1	364-72-00-226	FAN SHAFT	1	2.2.2	R07774	7/16 x 1 1/4" GR 5 CARRIAGE BOLT	4
2.1.2	364-63-00-209	FAN BACK PLATE	1	2.2.3	R07879	7/16 FLANGE NUT	4
2.1.3	R20238	HARDENED SEAL SLEEVE	1	2.3	357-59-00-000	BEARINGS & HOLDER KIT 2002	1
2.1.4	364-63-00-208	CHT 540 RPM FAN BLADE	4	2.4	R09785	"DANGER ROTATING DRIVELINE"	1
2.1.5	364-72-00-422	FAN BLADE GUSSET	4			DECAL	

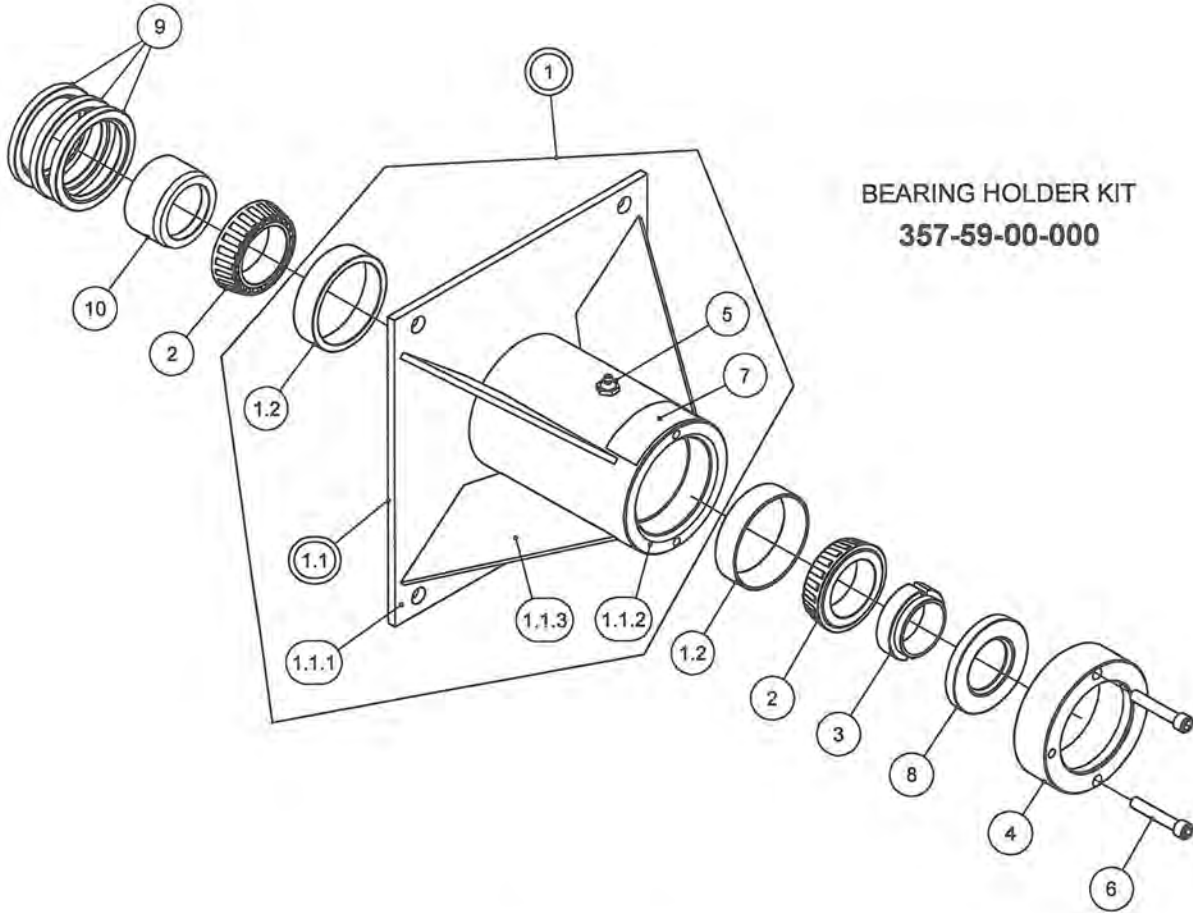
1000 RPM FAN, COVER PLATE & BRG KIT

NOTE:
THIS NUMBER IS USED FOR REPLACEMENT KITS ONLY
1000 RPM FAN, COVER PLATE, BEARING KIT, & GUARD 364-66-00-000



PARTS LIST				PARTS LIST			
ITEM	PART NUMBER	DESCRIPTION	QTY	ITEM	PART NUMBER	DESCRIPTION	QTY
1	364-69-00-000	PLASTIC PTO GUARD KIT	1	2.1.4	364-64-00-210	CHT 1000 RPM FAN BLADE	4
1.1	R22196	SHEILD CONE ASSY	1	2.1.5	364-72-00-422	FAN BLADE GUSSET	4
1.2	364-00-00-448	GUARD SUPPORT	1	2.1.6	364-72-00-227	AGITATOR BLADE	3
1.3	R07802	5/16 LOCK WASHER	2	2.2	364-67-00-000	COVER PLATE ASSY	1
1.4	R07611	5/16 x 1" HEX BOLT	2	2.2.1	364-67-00-211	HOUSING COVER PLATE	1
2	364-66-01-000	1000 RPM FAN & COVER PLATE	1	2.2.2	R07774	7/16 x 1 1/4" GR 5 CARRIAGE BOLT	4
2.1	364-73-00-000	1000 RPM SHAFT & IMP. ASSY - CHT	1	2.2.3	R07879	7/16 FLANGE NUT	4
2.1.1	364-72-00-226	FAN SHAFT	1	2.3	357-59-00-000	BEARINGS & HOLDER KIT 2002	1
2.1.2	364-63-00-209	FAN BACK PLATE	1	2.4	R09785	"DANGER ROTATING DRIVELINE"	1
2.1.3	R20238	HARDENED SEAL SLEEVE	1			DECAL	

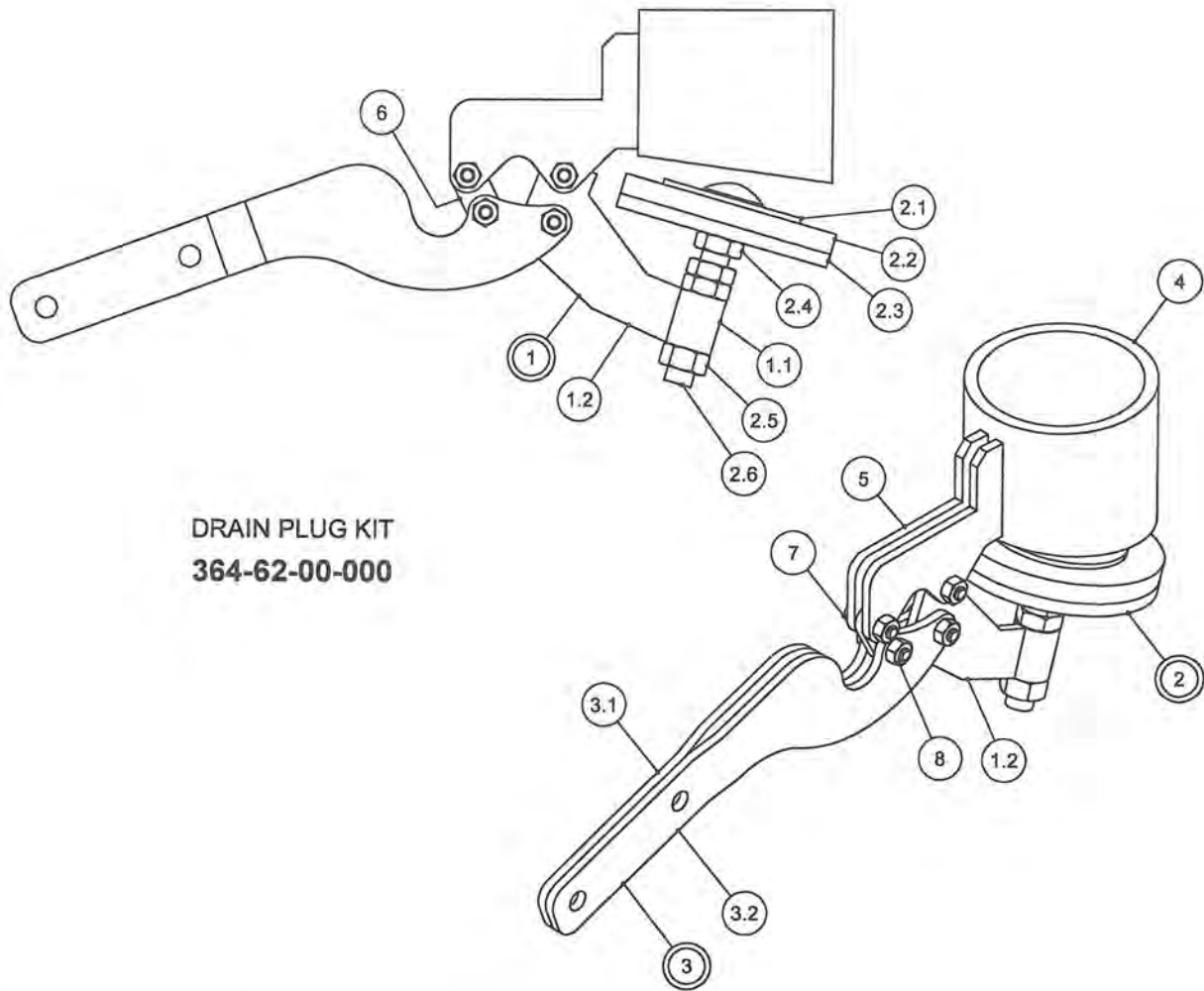
BEARING HOLDER KIT



**BEARING HOLDER KIT
357-59-00-000**

PARTS LIST			
ITEM	PART NUMBER	DESCRIPTION	QTY
1	357-59-01-000	BEARING HOLDER w/ CUPS KIT	1
1.1	357-59-02-000	BEARING BOX ASSY	1
1.1.1	364-61-00-192	SEAL TUBE BACK PLATE	1
1.1.2	364-61-00-191	BEARING TUBE	1
1.1.3	357-59-02-289	BEARING BOX GUSSET	4
1.2	R20113	OUTER CUP	2
2	R20115	OUTER CONE	2
3	364-00-00-212	STAKE NUT	1
4	364-00-00-332	SEAL TUBE KIT	1
5	R08188	1/4" NPT STRAIGHT GREASE FITTING	1
6	R08175	5/16 - 18 UNC x 1 3/4" CAP SCREW	2
7	R09787	GREASE DECAL	1
8	R21196	SL LIP SEAL 152833TB 1.5"	1
9	R21197	2.25 x 3.005 x .25 SEAL	3
10	R20238	HARDENED SEAL SLEEVE	1

DRAIN PLUG KIT

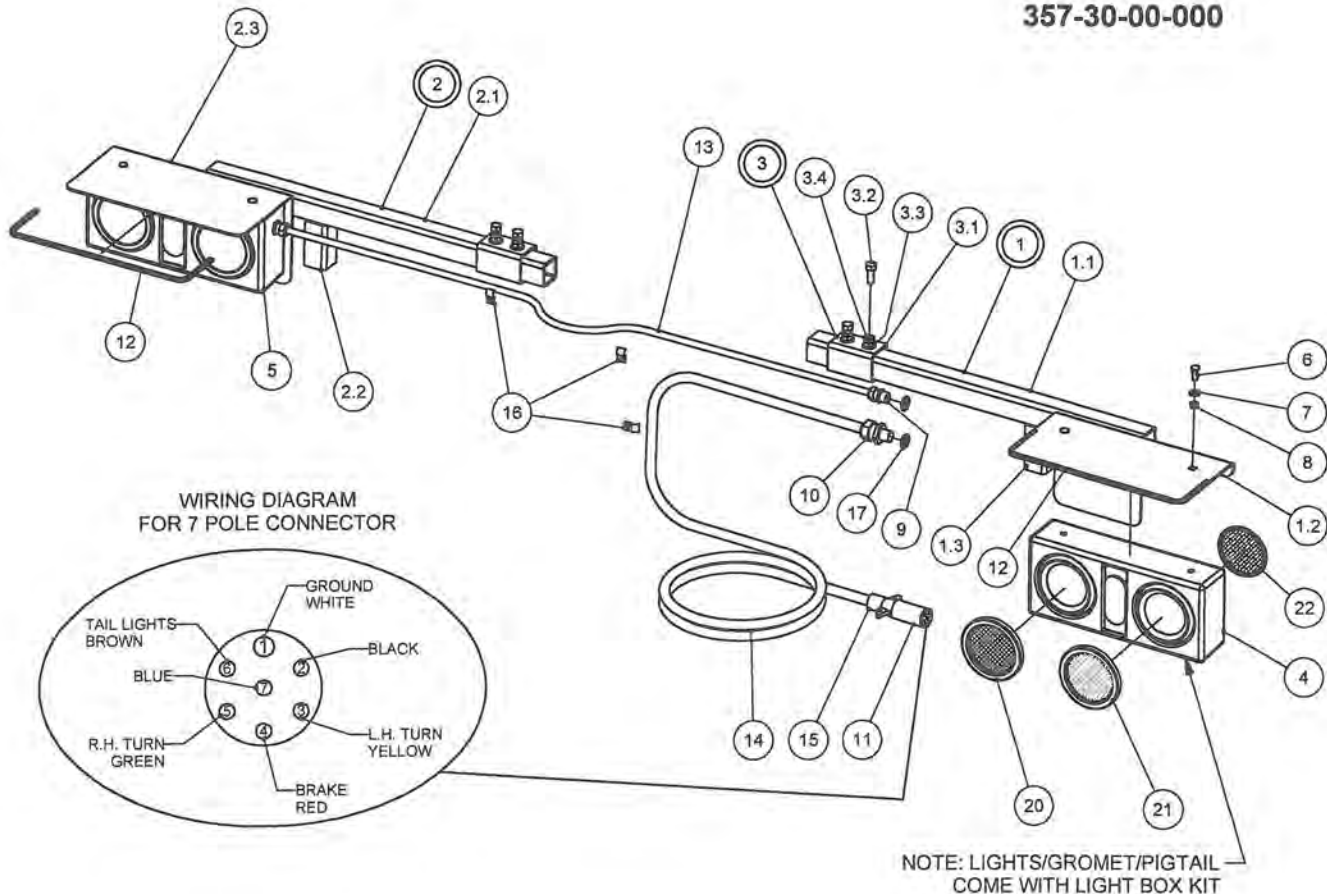


PARTS LIST			
ITEM	PART NUMBER	DESCRIPTION	QTY
1	364-62-01-000	DRAIN PLUG SLEEVE ASSY	1
1.1	364-62-01-201	SLEEVE	1
1.2	364-62-01-200	SLEEVE LINKAGE	1
2	364-62-05-000	DRAIN PLUG REPLACEMENT KIT	1
2.1	364-62-04-370	PLUG WASHER	1
2.2	364-62-02-204	RUBBER PLUG	1
2.3	364-62-02-203	PLUG PLATE	1
2.4	R08046	1/2 - 13 JAM NUT	3
2.5	R07785	1/2 HEX NUT	1
2.6	R08316	1/2 x 3 1/2" FULL THREAD CAR BOLT	1
3	364-62-03-000	HANDLE ASSY	1
3.1	364-62-03-206	LH HANDLE	1
3.2	364-62-03-207	RH HANDLE	1
4	364-01-03-110	DRAIN PIPE	1
5	364-62-00-199	PLUG HOUSING BRKT	2
6	364-62-00-205	SHORT LINKAGE	1
7	R08176	1/4 x 7/8" HEX BOLT	4
8	R08048	1/4" 2 WAY LOCK NUT	4

TAIL LIGHT KIT

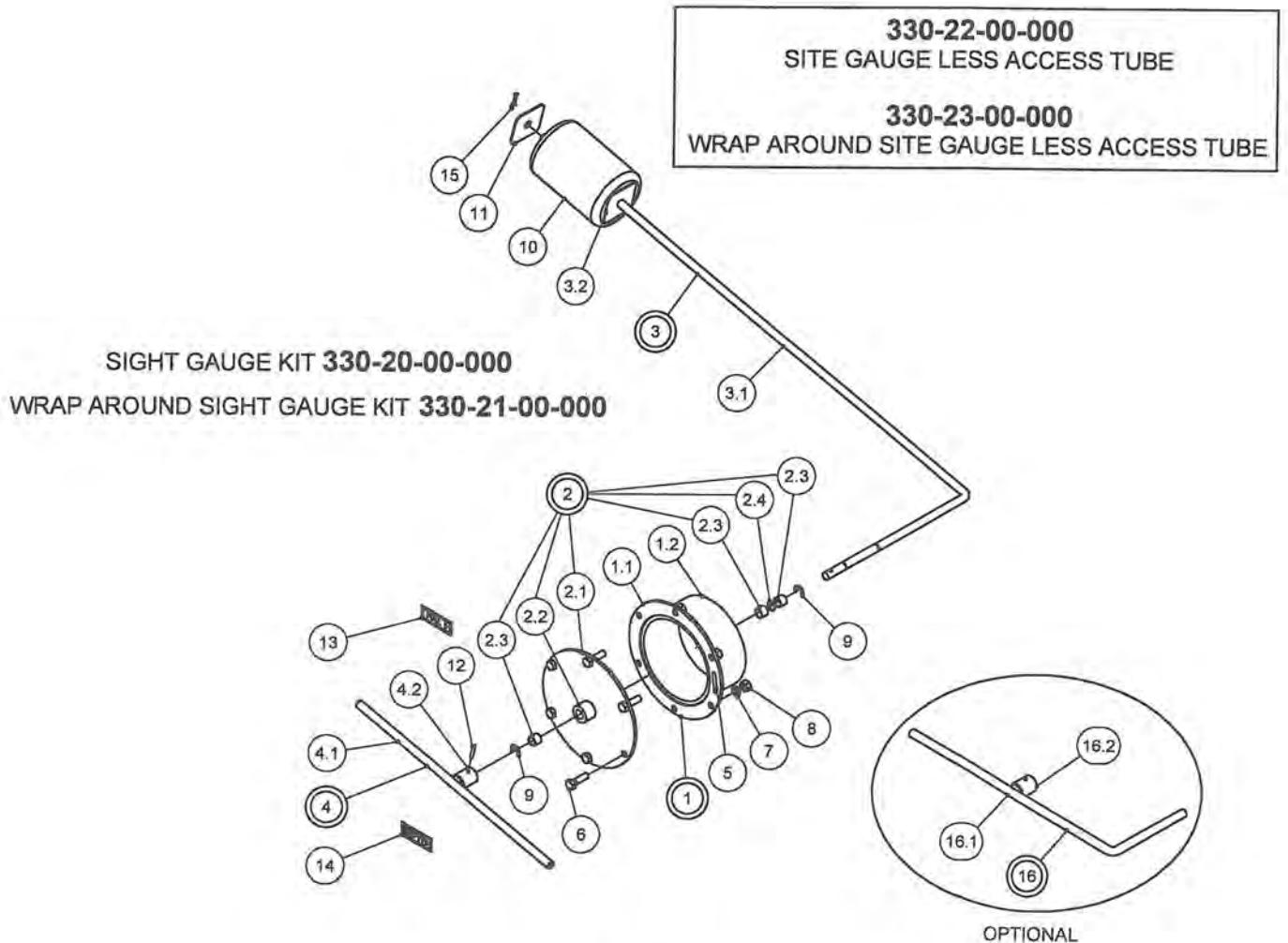
PARTS LIST				PARTS LIST			
ITEM	PART NUMBER	DESCRIPTION	QTY	ITEM	PART NUMBER	DESCRIPTION	QTY
1	357-30-01-000	RH LIGHT BAR ASSY	1	6	R07721	3/8 x 1 CARRIAGE BOLT	4
1.1	357-30-01-171	LIGHT BAR	1	7	R07823	3/8 FLAT WASHER	4
1.2	357-30-01-172	RH LITE BOLT PLATE	1	8	R07794	3/8 FLANGE NUT	4
1.3	357-30-01-173	STUB BAR	1	9	R10193	1/2" NYLON TITE CONNECTOR	2
2	357-30-02-000	LH LIGHT BAR ASSY	1	10	R10357	3/4" NYLON TITE CONNECTOR	1
2.1	357-30-01-171	LIGHT BAR	1	11	R10095	7 POLE CONNECTOR	1
2.2	357-30-01-173	STUB BAR	1	12	357-30-00-311	SAFETY EDGING	2
2.3	357-30-02-245	LH LITE BOLT PLATE	1	13	RO4046	4-WIRE TRAILER CABLE - APPROX. 4M	1
3	357-30-03-000	MOUNT BRKT ASSY	2	14	R04235	14/6 TRAILER CABLE - APPROX. 10.5M	1
3.1	357-30-03-174	MOUNT BRKT	1	15	R09636	RUBBER BOOT	1
3.2	R07674	1/2 x 1 1/4 HEX BOLT	2	16	R21104	HYD. HOSE CLIPS	12
3.3	R07795	1/2" UNC FLANGE NUT	2	17	R10345	1/2" ELECTRICAL BOX LOCK NUT	3
3.4	R08046	1/2 - 13 JAM NUT	2	20	R10087	RED LIGHT KIT	2
4	R10349	RH LAMP BOX w/ 2 LAMPS	1	21	R10347	AMBER LIGHT KIT w/ CLEAR BACK	2
5	R10348	LH LAMP BOX w/ 2 LAMPS	1	22	R10346	AMBER REPLACEMENT LENS	2

TAIL LIGHT KIT 357-30-00-000

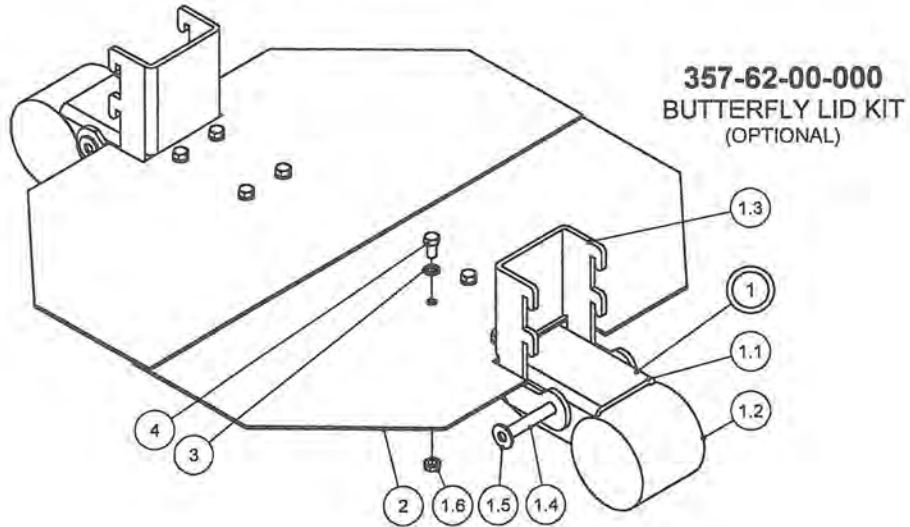


SIGHT GAUGE KIT

PARTS LIST				PARTS LIST			
ITEM	PART NUMBER	DESCRIPTION	QTY	ITEM	PART NUMBER	DESCRIPTION	QTY
1	330-20-03-000	ACCESS TUBE ASSY	1	5	R04100	SILICONE SEALANT	1
1.1	330-20-03-560	ACCESS TUBE FLANGE	1	6	R07875	3/8 x 1 1/4" HEX BOLT	6
1.2	330-20-03-558	ACCESS TUBE	1	7	R07803	3/8 LOCK WASHER	6
2	330-20-04-000	COVER PLATE ASSY	1	8	R07783	3/8 HEX NUT	6
2.1	330-20-00-557	COVER PLATE	1	9	R07974	EXTERNAL RETAINING RING	2
2.2	330-20-04-562	BUSHING HOLDER	1	10	R09524	FLOAT	1
2.3	R21173	1/2 x 5/8 x 1/2" BRONZE BUSHING	3	11	330-20-01-552	FLOAT STRAPS	1
2.4	R20865	O-RING #11-014	1	12	R08241	3/16 x 1 SS ROLL PIN	1
3	330-20-01-000	FLOAT ARM ASSY	1	13	R09529	"FULL" DECAL	1
3.1	330-20-01-551	FLOAT ARM	1	14	R09530	"EMPTY" DECAL	1
3.2	330-20-01-552	FLOAT STRAPS	1	15	R08021	1/8 x 1 S.S. COTTER PIN	1
4	330-20-02-000	INDICATOR ARM ASSY	1	16	330-21-01-000	WRAP AROUND SITE ARM ASSY	1
4.1	330-20-02-554	INDICATOR ARM	1	16.1	330-19-46-546	WRAP AROUND SITE ARM	1
4.2	330-20-02-553	INDICATOR ARM HUB	1	16.2	330-20-02-553	INDICATOR ARM HUB	1



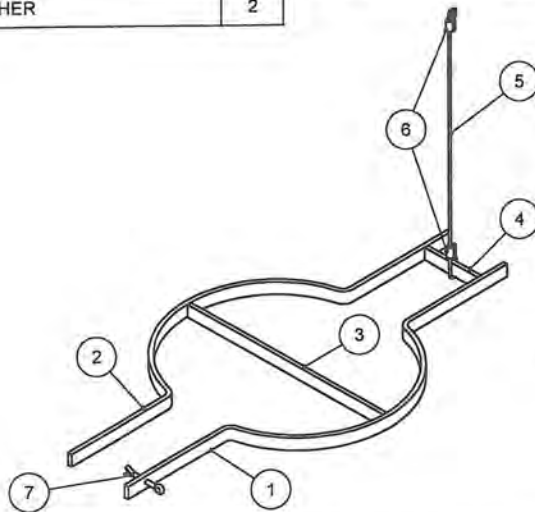
BUTTERFLY LID & SAFETY GRATE



357-62-00-000
BUTTERFLY LID KIT
 (OPTIONAL)

NOTE: WITH INSTALLATION OF A BUTTERFLY LID, A SAFETY GRATE MUST BE USED TO LOCK LID IN PLACE

PARTS LIST				PARTS LIST			
ITEM	PART NUMBER	DESCRIPTION	QTY	ITEM	PART NUMBER	DESCRIPTION	QTY
1	357-62-01-000	BUTTERFLY HINGE KIT	2	1.6	R07794	3/8 FLANGE NUT	4
1.1	357-62-01-316	U - CHANNEL HINGE	1	2	357-62-00-318	BUTTERFLY LID	2
1.2	357-62-01-317	COUNTER WEIGHT	1	3	R08319	3/8 S.S. LOCK WASHER	8
1.3	357-62-01-319	DROP-IN HINGE	1	4	R08317	3/8 x 3/4 S.S. HEX BOLT	8
1.4	357-62-01-315	HINGE PIN	1	5	357-62-00-343	OLD STYLE CONVERSION PLATE	2
1.5	R07824	7/16 FLAT WASHER	2				

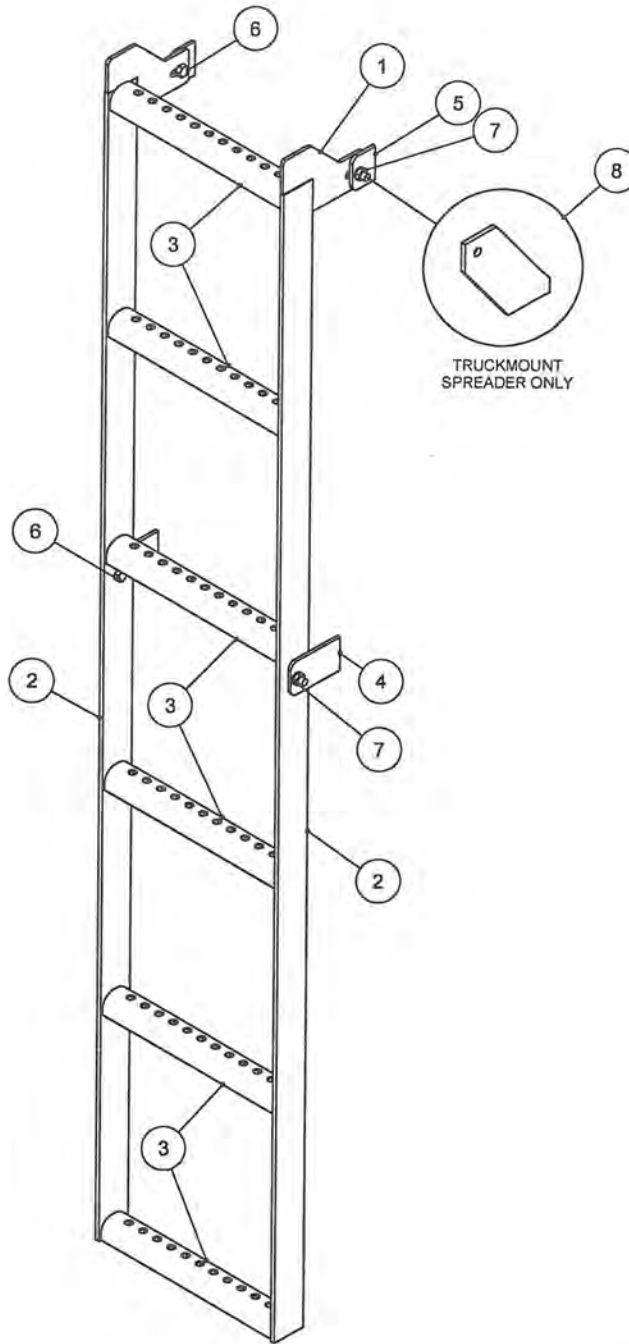


357-63-00-000
SAFETY GRATE ASSY

PARTS LIST			
ITEM	PART NUMBER	DESCRIPTION	QTY
1	357-63-00-320	SAFETY BAR w/ HOLE	1
2	357-63-00-332	SAFETY BAR	1
3	357-63-00-321	CROSS SAFETY BAR	1
4	357-63-00-322	STOP BAR	1
5	357-63-00-331	SAFETY CABLE	1
6	R08068	1/8" ALUMINUM CRIMP SLEEVES	2
7	R08016	1/4 x 2 COTTER PIN	1

LADDER KIT

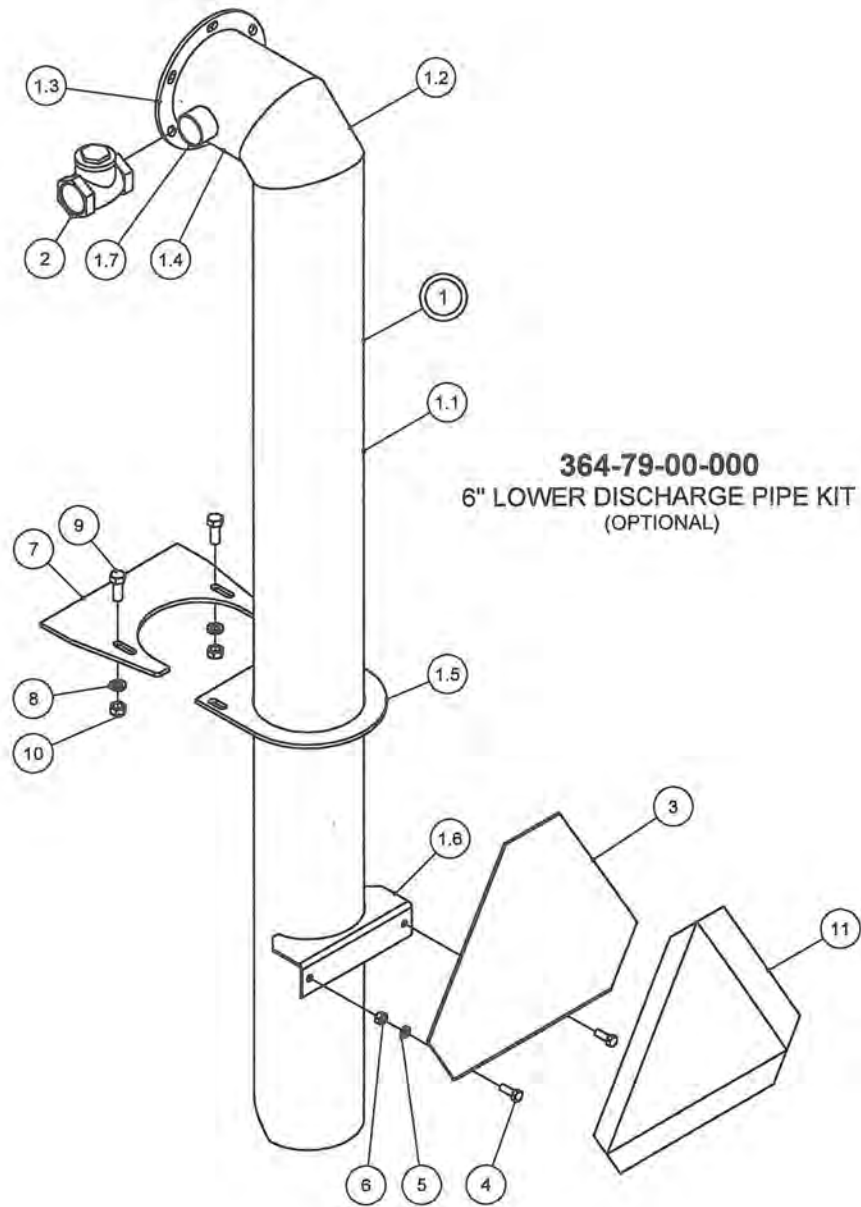
LADDER KIT
364-95-00-000



PARTS LIST

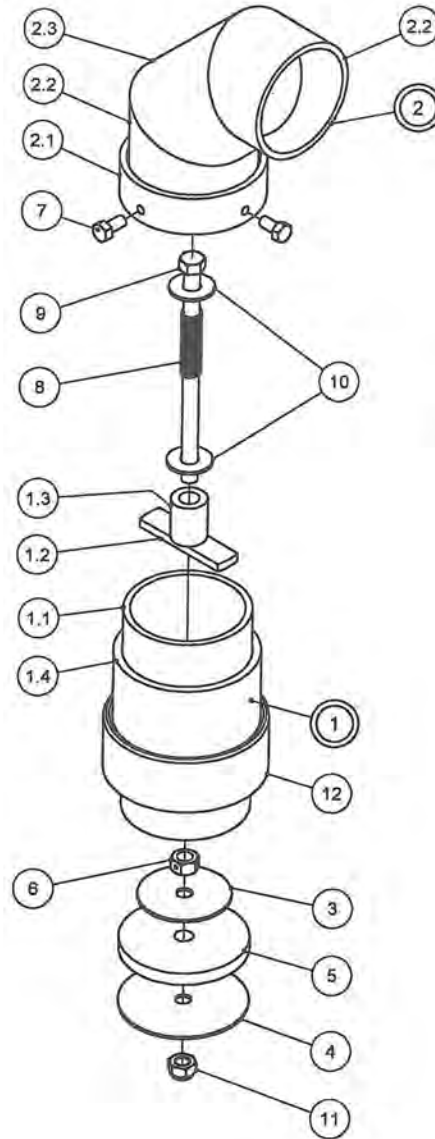
ITEM	PART NUMBER	DESCRIPTION	QTY
1	364-95-00-326	LADDER LUG	2
2	364-95-00-325	LADDER SIDE PC	2
3	364-95-00-324	LADDER RUNG	6
4	364-00-00-414	TANK LUG	2
5	364-95-00-327	UPPER TANK LUG	2
6	R07619	3/8 x 1 HEX BOLT	4
7	R07794	3/8 FLANGE NUT	4
8	364-00-00-216	LADDER BRKT	1

LOWER DISCHARGE PIPE KIT



PARTS LIST				PARTS LIST			
ITEM	PART NUMBER	DESCRIPTION	QTY	ITEM	PART NUMBER	DESCRIPTION	QTY
1	364-79-01-000	6" DROP PIPE ASSY	1	3	200-00-00-132	S.M.V. SIGN HOLDER	1
1.1	364-79-01-295	LONG DROP PIPE	1	4	R07819	3/8 x 1 HEX BOLT	2
1.2	364-19-00-082	DISCHARGE PIPE CORNER PC	1	5	R07803	3/8 LOCK WASHER	2
1.3	364-19-00-087	DISCHARGE PIPE FLANGE	1	6	R07783	3/8 HEX NUT	2
1.4	364-79-01-296	SHORT HORIZONTAL PIPE	1	7	384-05-03-070	TANK BRKT	1
1.5	384-05-02-069	TUBE ATTACHMENT BRKT	1	8	R07805	1/2 LOCK WASHER	2
1.6	308-77-00-226	S.M.V. SIGN HOLDER	1	9	R07674	1/2 x 1 1/4 HEX BOLT	2
1.7	R02127	1 1/2 CLOSE NIPPLE	1	10	R07785	1/2 HEX NUT	2
2	R02490	1 1/2" CHECK VALVE	1	11	R09501	SLOW MOVING VEHICLE DECAL	1

TANK VENT KIT



TANK VENT KIT
357-51-00-000
(OPTIONAL)

PARTS LIST				PARTS LIST			
ITEM	PART NUMBER	DESCRIPTION	QTY	ITEM	PART NUMBER	DESCRIPTION	QTY
1	357-51-01-000	VENT TUBE ASSY	1	4	357-51-00-258	LOWER STAINLESS STEEL WASHER	1
1.1	357-51-01-246	VENT TUBE	1	5	357-51-00-334	RUBBER PLUG	1
1.2	357-51-01-247	VENT STRAP	1	6	R07891	7/16 2-WAY LOCK NUT	1
1.3	357-51-01-248	INNER SLIDE TUBE	1	7	R07690	5/16 x 5/8 HEX BOLT	2
1.4	357-51-01-335	OUTER NIPPLE	1	8	357-51-00-249	SPRING	1
2	357-51-02-000	CAP ASSY	1	9	R07689	7/16 x 7 HEX BOLT	1
2.1	357-51-02-251	SLEEVE	1	10	R07833	7/16" SAE FLAT WASHER	2
2.2	357-51-02-252	ELBOW SECTION	2	11	R08178	7/16 NYLOCK HEX NUT	1
2.3	357-51-02-253	ELBOW MIDDLE SECTION	1	12	R02969	3 1/2" HALF COUPLER	1
3	357-51-00-250	STAINLESS STEEL WASHER	1				

HYDRAULIC DIRECT DRIVE KIT

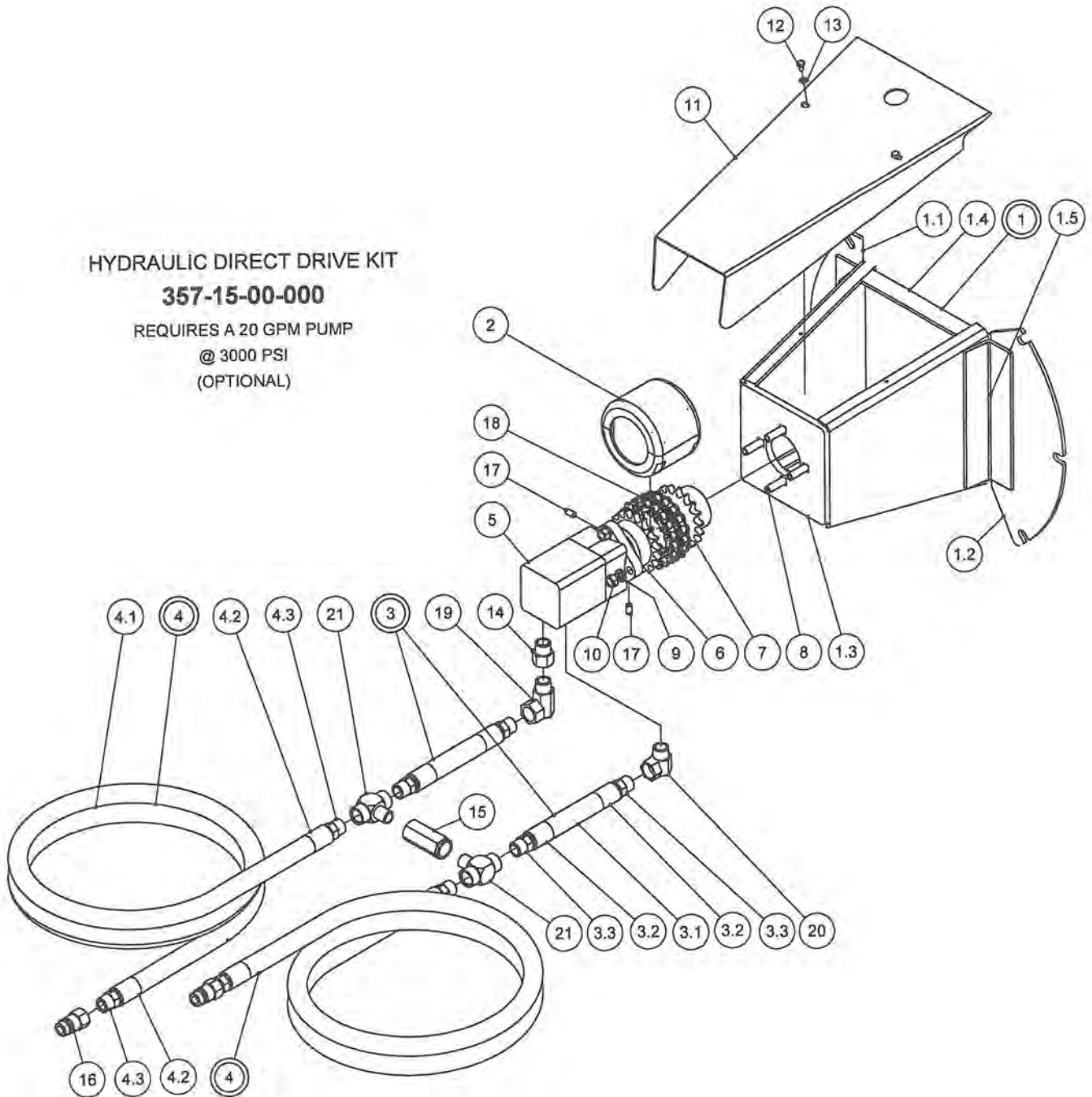
HYDRAULIC DIRECT DRIVE KIT

357-15-00-000

REQUIRES A 20 GPM PUMP

@ 3000 PSI

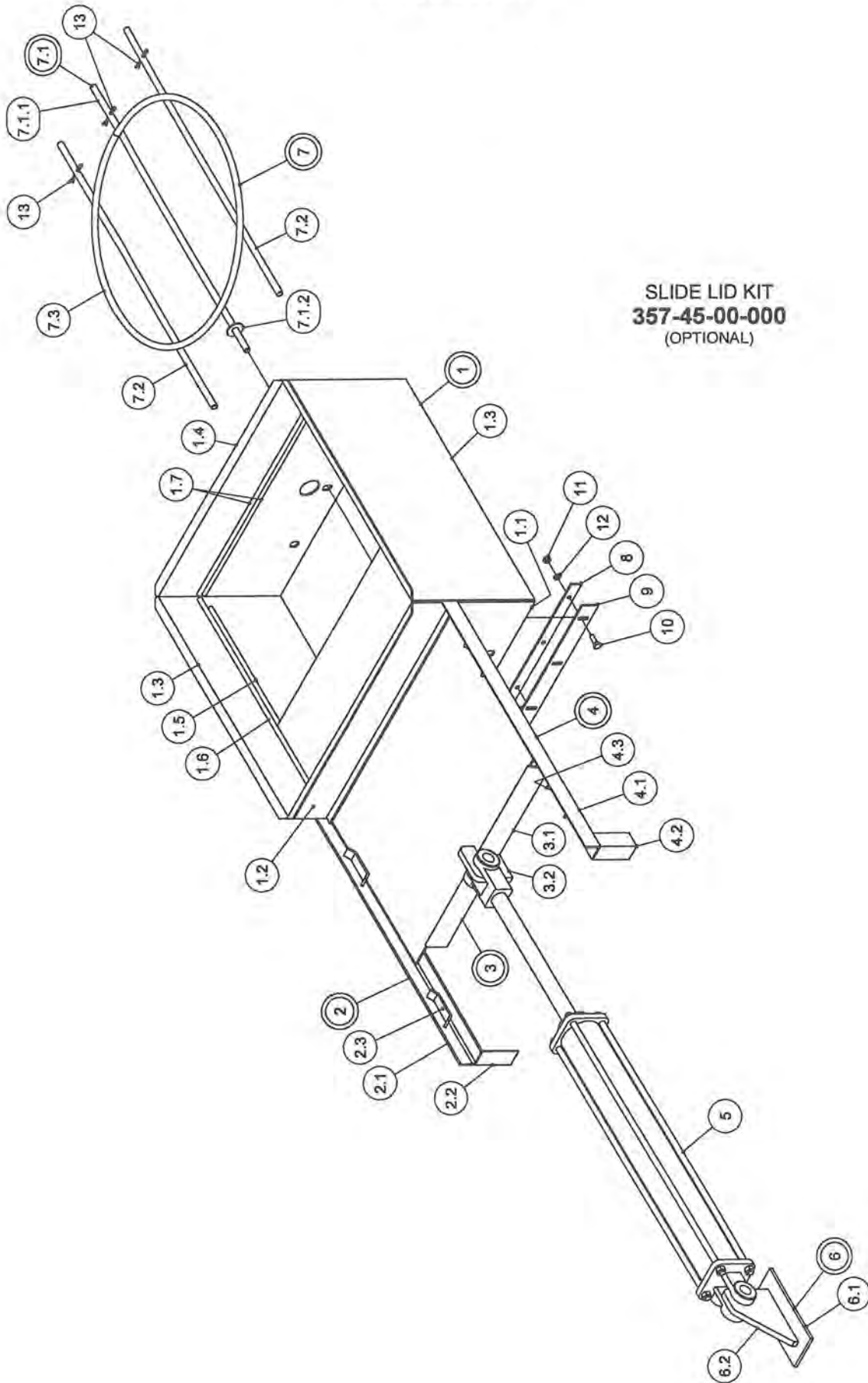
(OPTIONAL)



HYDRAULIC DIRECT DRIVE KIT CON'T

PARTS LIST			
ITEM	PART NUMBER	DESCRIPTION	QTY
1	384-02-01-000	DIRECT HYD DRIVE MOUNT PL ASSY	1
1.1	384-02-01-002	R.H. EXTENSION PLATE	1
1.2	384-02-01-003	L.H. EXTENSION PLATE	1
1.3	384-02-01-004	MOTOR MOUNT PLATE	1
1.4	384-02-01-012	REINFORCING STRAP	2
1.5	384-18-01-275	REINFORCING ANGLE	2
2	R20617	60 - 18 COUPLING COVER	1
3	364-48-32-000	3/4" HYD HOSE ASSY	2
3.1	364-48-32-187	3/4" HYD HOSE ASSY	1
3.2	R20824	3/4" FERRULE	2
3.3	R21241	3/4" MALE SOLID STEM	2
4	364-48-24-000	3/4" HYD HOSE ASSY	2
4.1	364-48-24-163	3/4" HYDRAULIC HOSE	1
4.2	R20824	3/4" FERRULE	2
4.3	R21241	3/4" MALE SOLID STEM	2
5	R21422	MS160 HYDRAULIC MOTOR	1
6	384-02-00-007	60B - 18 SPR.-1 1/4" STR SHAFT	1
7	384-02-00-072	SPROCKET FOR 6 TOOTH SPLINE	1
8	R07744	1/2" x 2 CARRIAGE BOLT	4
9	R07805	1/2 LOCK WASHER	4
10	R07785	1/2 HEX NUT	4
11	384-02-00-005	GUARD	1
12	R07698	1/4 x 1/2 HEX BOLT	2
13	R07801	1/4 LOCK WASHER	2
14	R20815	7/8-14 SAE M x 3/4" ADAPTOR	1
15	R21202	3/4" NPT IN-LINE CHECK VALVE	1
16	R21338	3/4" PIONEER TIP	2
17	R07911	3/8 x 3/4" SET SCREW	2
18	R20883	60-18 COUPLING CHAIN	1
19	R21332	3/4M x 3/4F NPT 90 SWIVEL ADAPTOR	1
20	R21323	7/8" x 3/4" NPT SWIVEL ADAPTOR	1
21	R21393	3/4" HYDRAULIC TEE	2

SLIDE LID KIT



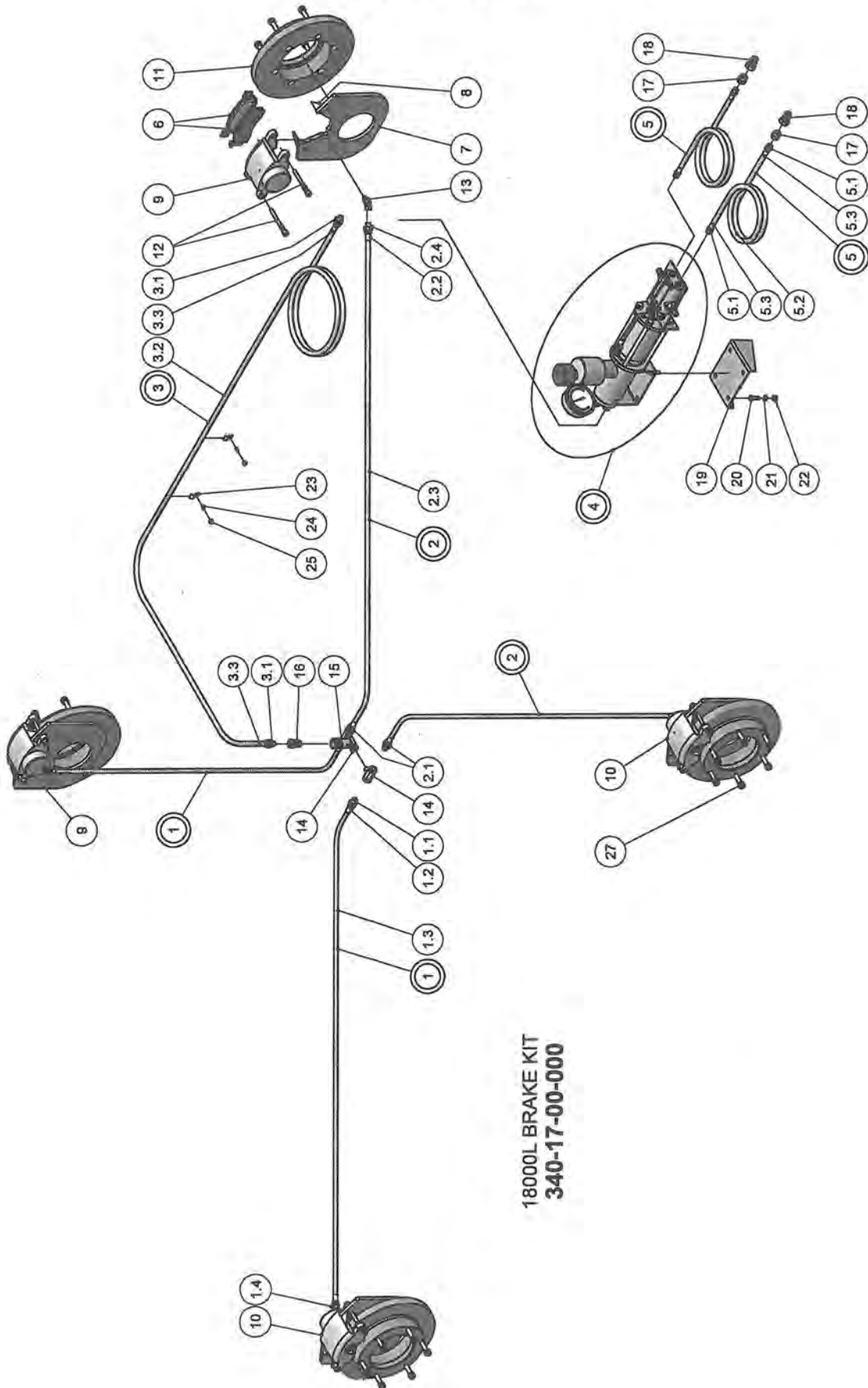
SLIDE LID KIT
357-45-00-000
(OPTIONAL)

**BONDIOLI & PAVESI PTO
80° CV JOINT - FOR LONG TONGUE
(ELITE & SLIM LINE SPREADERS)**

- R21582 540 RPM 6 TOOTH
- R21583 1000 RPM 21 TOOTH
- R21584 1000 RPM 20 TOOTH - 1 3/4"

PARTS LIST				
ITEM	MFG #	PART NUMBER	DESCRIPTION	QTY
1	517048001	R21703	COMPLETE SHELL	1
1.1	255040351	R21702	RING NUT DOWELS	2
2	5F04121E1654	R21711	SAFETY GUARD	1
2.1	5FE4121E1654	R21709	HALF SAFETY GUARD	1
2.1.1	254040024	R21697	O. BASIC CONES N3-4	1
2.1.2	255040005	R21696	O. BEARING 3-4	1
2.1.3	236681007	R21698	CM SAFETY TUBE	1
2.2	5F14121FF	R21710	HALF SAFETY GUARD	1
2.2.1	255040006	R21701	I. BEARING 3-4	1
2.2.2	517040061	R21700	I. CONE SET N3-4	1
2.2.3	236671007	R21699	CM SAFETY TUBE	1
3		R22204	#4 1 3/8" CV YOKE-21T SLIDING COLLAR YOKE	1
		R22203	#4 1 3/8" CV YOKE-6T SLIDING COLLAR YOKE	*
		R22205	#4 1 3/4" CV YOKE-20T SLIDING COLLAR YOKE	*
4	4120440012	R21682	CROSS JOURNAL ASSY	2
4.1	338009000	R21694	CIRCLIP	4
4.2	348004000	R21655	GREASE NIPPLE 45 DEG	1
5	41204	R21693	CROSS JOURNAL ASSY	1
5.1	348004000	R21655	GREASE NIPPLE 45 DEG	1
5.2	338017000	R21694	CIRCLIP	4
6	606404001	R21473	TORQUE LIM SB 4/4	1
6.1	401000001	R21451	COMPLETE PUSH BUTTON	1
6.2	213040020	R21704	SHEAR YOKE	1
6.3	513070324	R21706	HUB c/w QUICK DISCONNECT	1
6.4	362002000	R21705	1/4" BALL	23
6.5	432000047	R08251	M8 x 1.25 x 45 HEX BOLT	1
6.6		R08252	M8 x 1.25 LOCK NUT	1
7	511040051	R21685	CENTRAL BODY	1
8	215046854	R21686	YOKE	1
9	341038000	R21475	FLEXIBLE PIN	1
10	255311060	R21689	CARDAN TUBE	1
11	245101060	R21690	CARDAN TUBE CM	1
12	204046852	R21472	INNER TUBE YOKE	1
13	341048000	R21476	FLEXIBLE PIN	1
14		R21521	"ROTATING DRIVE LINE" DECAL	1
15		R21523	"SHIELD MISSING" DECAL	1
16	348017000	R21687	GREASE NIPPLE	1

18000L BRAKE KIT



18000L BRAKE KIT
340-17-00-000

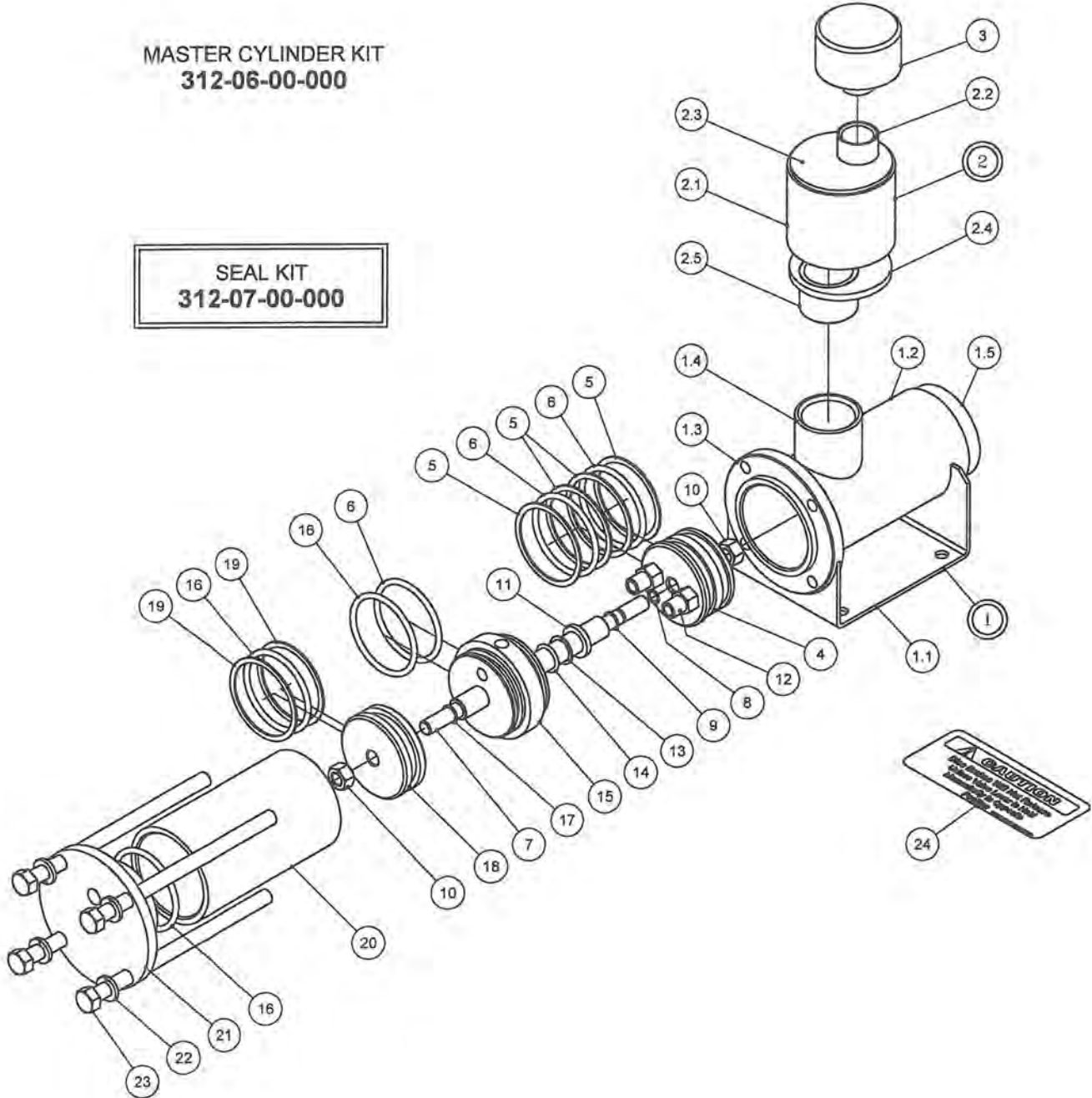
18000L BRAKE KIT

PARTS LIST			
ITEM	PART NUMBER	DESCRIPTION	QTY
1	340-17-16-000	HYDRAULIC BRAKE HOSE ASSY-REAR	2
1.1	R20806	3/8 NPT SWIVEL MALE STEM	1
1.2	R21231	STEEL FERRULE - 1/4"	2
1.3	340-17-16-391	REAR BRAKE HOSE	1
1.4	R20807	1/4 NPT SOLID MALE STEM	1
2	340-17-15-000	HYDRAULIC BRAKE HOSE ASSY-FRONT	2
2.1	R20806	3/8 NPT SWIVEL MALE STEM	1
2.2	R21231	STEEL FERRULE - 1/4"	2
2.3	340-17-15-390	FRONT BRAKE HOSE	1
2.4	R20807	1/4 NPT SOLID MALE STEM	1
3	340-17-38-000	MAIN BRAKE LINE ASSY	1
3.1	R20806	3/8 NPT SWIVEL MALE STEM	2
3.2	340-77-38-544	MAIN HYD. BRAKE HOSE	1
3.3	R21231	STEEL FERRULE - 1/4"	2
4	312-09-00-000	MASTER CYLINDER KIT COMPLETE	1
5	340-17-39-000	HYD. HOSE MASTER CYL. TO TRACTOR	2
5.2	340-17-39-545	HYD. HOSE - MASTER CYL. TO TRACTOR	1
5.3	R21231	STEEL FERRULE - 1/4"	2
5.1	R20803	3/8 - 16 NPT SOLID MALE STEM	2
6	R21067	BRAKE PADS (PAIR)	4
7	340-08-10-332	CALIPER MOUNTING PLATE	4
8	340-08-10-334	CALIPER PLATE SUPPORT	8
9	R21066	LH DISC BRAKE CALIPER ASSY TC501	2
10	R21065	RH DISC BRAKE CALIPER ASSY TC500	2
11	R20098	BOLT ON BRAKE DISC	4
12	R21070	GUIDE PINS	8
13	R21308	45 DEG x 7/16 SAE x 1/4 NPT ADAPTOR	4
14	R22111	3/8" HYD TEE - F x F x M	3
15	R21337	3/8" FEMALE PIONEER END	1
16	R21339	3/8" MALE PIONEER END	1
17	R02043	BUSHING 1/2 x 3/8	2
18	R21342	1/2" MALE PIONEER TIP	2
19	312-06-00-047	TONGUE BRACKET	1
20	R07619	3/8 x 1 HEX BOLT	4
21	R07803	3/8 LOCK WASHER	4
22	R07783	3/8 HEX NUT	4
23	R21104	HYD. HOSE CLIPS	12
24	R08301	1/4 x 20 UNC x 1/2" WELD STUD	12
25	R07781	1/4 HEX NUT	12
27	R07871	1/2 - 20 x 3 UNF SOCKET HEAD CAP SCREW	24

MASTER CYLINDER KIT

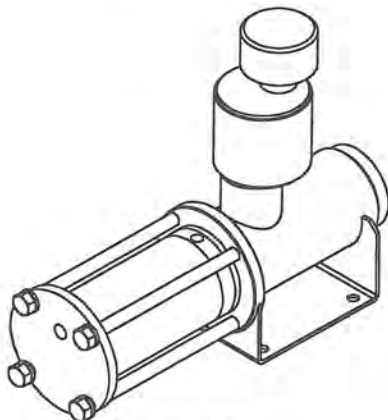
MASTER CYLINDER KIT
312-06-00-000

SEAL KIT
312-07-00-000



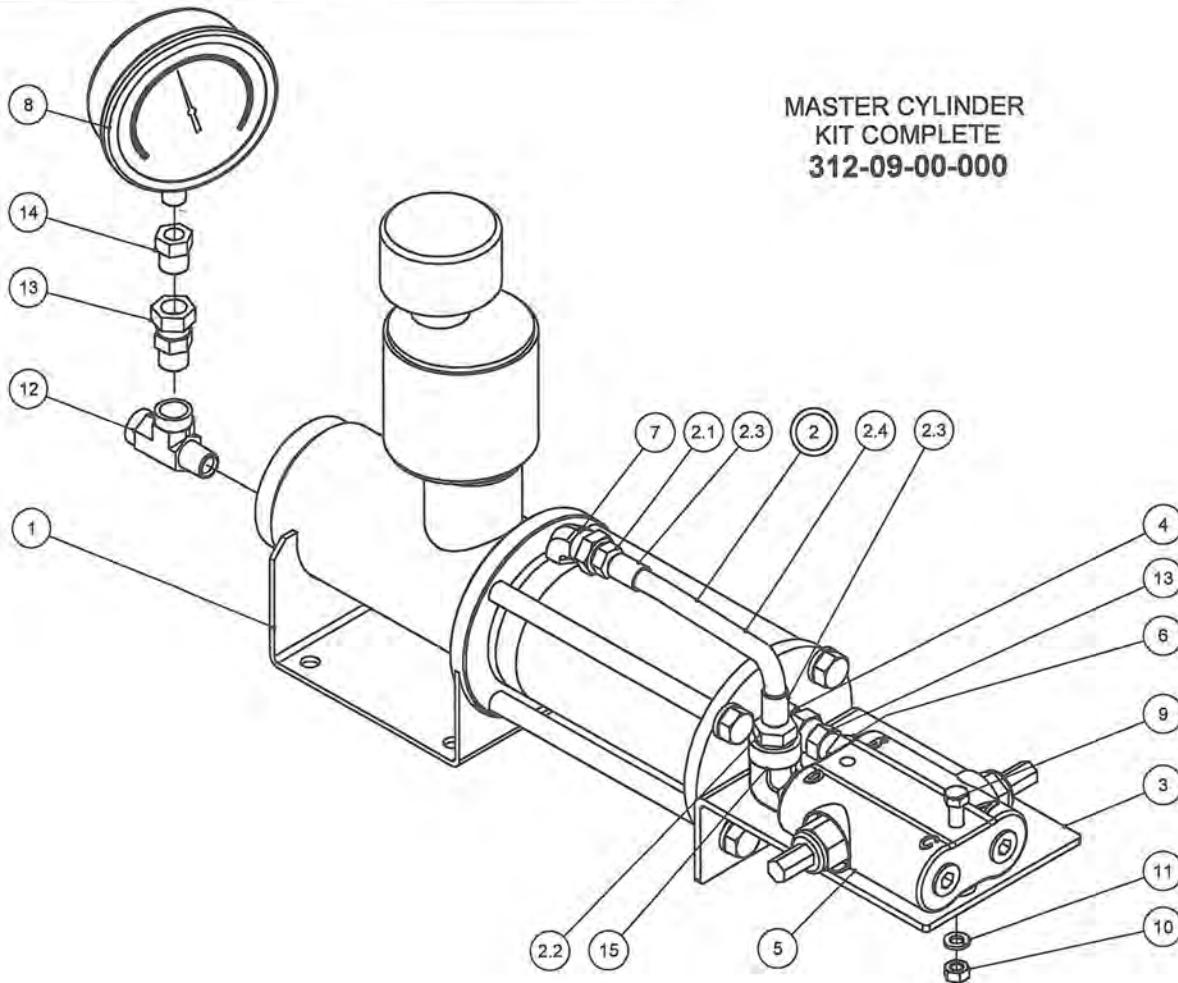
MASTER CYLINDER KIT

PARTS LIST			
ITEM	PART NUMBER	DESCRIPTION	QTY
1	312-06-02-000	MASTER CYLINDER TUBE ASSY	1
1.1	312-06-02-034	MOUNT PLATE	1
1.2	312-06-02-030	MASTER CYLINDER TUBE	1
1.3	312-06-02-031	MASTER CYLINDER FLANGE	1
1.4	312-06-02-033	COUPLER	1
1.5	312-06-02-032	MASTER CYLINDER END CAP	1
2	312-06-03-000	RESEVOIR ASSY	1
2.1	312-06-03-041	RESERVOIR TUBE	1
2.2	312-06-03-045	RESERVOIR COUPLING	1
2.3	312-06-03-042	RESEVOIR TOP PLATE	1
2.4	312-06-03-043	RESEVOIR BOTTOM PLATE	1
2.5	312-06-03-046	RESERVOIR NIPPLE	1
3	R21103	FILLER BREATHER	1
4	312-06-00-039	MASTER CYLINDER PLUNGER	1
5	R20873	TEFLON BACK UP #334	4
6	R20868	EP "O" RING #334 (2 5/8 x 3/16")	3
7	312-06-00-040	SHAFT	1
8	R20869	EP "O" RING 012 (3/8 x 1/2 x 1/16")	1
9	R20870	EP "O" RING 014 (1/2 x 5/8 x 1/16")	1
10	R07885	1/2 - 2 WAY LOCK NUT	2
11	R20774	3/4" HYTREL ROD WIPER 52-750	1
12	R21207	3/8" CHECK VALVE	2
13	R20874	3/4" HYTREL ROD WIPER 52-750	1
14	R20871	EP "O" RING 210 (3/4 x 1 x 1/8")	1
15	312-06-00-037	CYLINDER DIVIDER BLOCK	1
16	R20836	"O" RING #11-334 (2 5/8 x 3 x 3/16")	3
17	R20865	O-RING #11-014	1
18	312-06-00-038	HYDRAULIC PLUNGER	1
19	R20837	BACK UP #8-334	2
20	312-06-00-035	HYDRAULIC CYLINDER TUBE	1
21	312-06-00-036	HYDRAULIC CYLINDER END CAP	1
22	R07805	1/2 LOCK WASHER	4
23	R07679	1/2 x 13 UNC x 8" HEX BOLT	4
24	R09689	"CAUTION" DECAL	1



MASTER CYLINDER KIT COMPLETE

PARTS LIST			
ITEM	PART NUMBER	DESCRIPTION	QTY
1	312-06-00-000	MASTER CYLINDER KIT	1
2	312-06-05-000	HYD HOSE ASSY	1
2.1	R20803	3/8 - 16 NPT SOLID MALE STEM	1
2.2	R20804	1/4 STEM 1/2 NPT SOLID MALE STEM	1
2.3	R21231	STEEL FERRULE - 1/4"	2
2.4	312-06-05-048	1/4" RUBBER HYD HOSE	1
3	312-09-00-054	RELIEF VALVE MOUNT PLATE	1
4	R21397	3/8" HYDRAULIC NIPPLE	1
5	R21209	DUAL RELIEF VALVE	1
6	R02043	BUSHING 1/2 x 3/8	1
7	R21334	1/4 x 3/8-90 DEG SWIVEL ADAPTER	1
8	R21250	PRESSURE GAUGE	1
9	R07614	5/16" x 2 1/2 HEX BOLT	1
10	R07812	5/16 HEX NUT	1
11	R07802	5/16 LOCK WASHER	1
12	R22247	3/8 TEE - MxFxF	1
13	R20812	3/8"M X 3/8"F NPT ST SWIVEL ADAPTOR	2
14	R02042	1/4" X 3/8" BUSHING	1
15	R21367	1/2 X 90 HYD ELBOW	1



**MASTER CYLINDER
KIT COMPLETE
312-09-00-000**

HUSKY FARM EQUIPMENT LIMITED
ALMA, ON N0B 1A0
PHONE: (519) 846 - 5329
FAX: (519) 846 - 9378

5 YEAR AXLE WARRANTY

Husky Farm Equipment Limited will guarantee for 5 years from date of invoice, all Manure Spreader undercarriages and axle assemblies, if used on a farm for farm purposes.

Husky will replace free of charge:

1. Any part of the axle which should break or collapse through overload.
2. Any spindles or hub which should break.
3. Any wheel and rim assemblies which should fail.

Exempt from extended warranty are:

1. Bearings and tires which are covered under normal warranty and do require maintenance to avoid failure.
2. Spindles damaged through bearing failure.
3. Wheel or rim damage resulting from owner failing to keep wheel bolts tight.
4. 23000 Litre (6000 US Gal) is not covered because it is custom built.

To qualify for extended warranty, damaged parts must be returned to Husky Farm Equipment Limited, prepaid, along with serial number and copy of the original invoice.

All parts supplied by Husky on warranty, will be shipped freight collect. Extended warranty covers damaged parts only and does not cause liability on Husky for any damage resulting from such failure.

TEN YEAR WARRANTY AGAINST RUSTOUT

Husky Farm Equipment provides a 10 year warranty against premature perforation (rustout) of any liquid manure spreader manufactured later than Jan. 1987. Providing the manure spreader is used for manure or sludge and not for chemical products.

Extended warranty is pro rated and will be paid only through the crediting off of the then current list price of a replacement manure spreader that portion of the warranty not used up in time.

Warranty will be effective toward replacing spreader only and no cash payments will be made. It will be understood that the original equipment to be replaced will then become the property of Husky Farm Equipment.

This extended warranty will be effective through Husky Farm Equipment factory or factory outlet only, copy of the original invoice to be supplied along with the serial number. This warranty will not be effective for commercial custom haulers or to owners other than the original.

Transportation to and from the factory to be paid for by the owner of the equipment and not by Husky Farm Equipment.

