

*Office Copy  
Dec 13  
15 made  
Aug 18/95 3 made  
Jan 24/96 -5  
Mar 26/96 -10*

Date Purchased \_\_\_\_\_ Machine Serial No. \_\_\_\_\_  
Size of Spreader \_\_\_\_\_ Options \_\_\_\_\_

PLEASE NOTE:

The key number system in this parts book is arranged as follows:

- 0 -- Key number with one circle denotes main assemblies
- Key Numbers not circled are individual parts.

Please order parts by number

23000L MODEL "E"

HUSKY LIQUID MANURE SPREADER

OPERATING INSTRUCTIONS:

1. Heed all warnings.
2. Minimum HP requirements to safely operate on level terrain, on hilly terrain HP should be increased.
 

|              |        |
|--------------|--------|
| 4500L .....  | 70 HP  |
| 7000L .....  | 85 HP  |
| 9000L .....  | 95 HP  |
| 12000L ..... | 110 HP |
| 14000L ..... | 130 HP |
| 15000L ..... | 200 HP |
3. If machine is equipped with hydraulic brakes that are operated from the tractor hydraulics, they will not work should the tractor motor stop.
 

Inspect brakes before each use. Brakes must be bled before initial use unless installed at factory.

When releasing brakes the tractor hydraulic lever must be put in the opposing position to release pressure. Do not put in float position they will not release.
4. Tractor PTO spline must be approximately 14" (355 mm) from end of compressed PTO for proper adjustment.
5. Hitch tanker to tractor with minimum of 1" (25mm) hardened hitch pin with a safety lock. Use 10,000 Lbs safety chain from spreader to tractor.
6. Do not use tongue jack stand to support loaded spreader. Put jack in storage position before using.
7. When hooking PTO to tractor make sure motor is stopped. Make sure QD (Quick Disconnect) safety locking pin is in locked position before using.
8. Clean off hose ends before plugging into tractor hydraulics. If spreader is equipped with hydraulic drive on spreading attachment, make sure tractor has sufficient oil flow and pressure to maintain satisfactory spread pattern. if not use another tractor.



OPERATING INSTRUCTIONS continued:

9. After using spreader in freezing conditions make sure impeller housing is drained.
10. Wash tank inside and out each time work is finished. This will increase life of tank by many years. See item 6 of Safety instructions.
11. Do not drive on public roads after dusk unless equipped with lights required by Department of Transportation in your area.
12. Remove wheels annually and grease wheel bearings.
13. Because manure smells, many farmers have made unfriendly neighbours. If in a residential area a manure injector is a recommended option to bury the smell.
14. Much of the fertilizer value of manure is lost when exposed to air. Getting the manure covered quickly is a very important part of spreading manure.
15. If rustproof coating on interior shows signs of deterioration, have interior repainted. This can be done with a roller or brush. This helps to increase the life of your spreader. It is a valuable maintenance procedure.

SAFETY INSTRUCTIONS:

Do not operate this machine until you fully understand the safe operating practices.

1. Make sure all moving parts are shielded to prevent coming in contact with loose clothing.
2. Keep children clear, do not let children or anyone ride on the spreader at anytime.
3. Do not support loaded spreader on tongue jack.
4. Keep tire pressure to recommended pressure at all times. Recommended tire pressure being:

|              |                    | Lbs | KPA |
|--------------|--------------------|-----|-----|
| 40 x 14      | Airplane Tires     | 55  | 379 |
| 44 x 16      | Airplane Tires     | 55  | 379 |
| 47 x 18 x 18 | Airplane Tires     | 55  | 379 |
| 50 x 20 x 20 | Airplane Tires     | 55  | 379 |
| 16.5L x 16.1 | Implement Tires    | 35  | 241 |
| 21.5L x 16.1 | Implement Tires    | 35  | 241 |
| 18.4L x 26   | Turf Tires         | 26  | 180 |
| 28L x 26     | Turf Tires         | 24  | 166 |
| 23.5L x 25   | Loader Dozer Tires | 55  | 379 |
| 18L x 22.5   | Truck Tires        | 65  | 448 |

1 Lb = 6.8947 KPA

5. Keep wheel bolts torqued to recommended torque at all times.

| Wheel Bolt Size | Torque<br><u>Dry</u> | Ft./Lbs.<br><u>Oiled</u> | Torque<br><u>Dry</u> | Meter/Kg<br><u>Oiled</u> |
|-----------------|----------------------|--------------------------|----------------------|--------------------------|
| 9/16 - 18 NF    | 190                  | 145                      | 26.28                | 20.06                    |
| 5/8 - 18 NF     | 270                  | 205                      | 37.34                | 28.35                    |
| 3/4 - 16 NF     | 470                  | 360                      | 65.01                | 49.79                    |

(Check Daily)

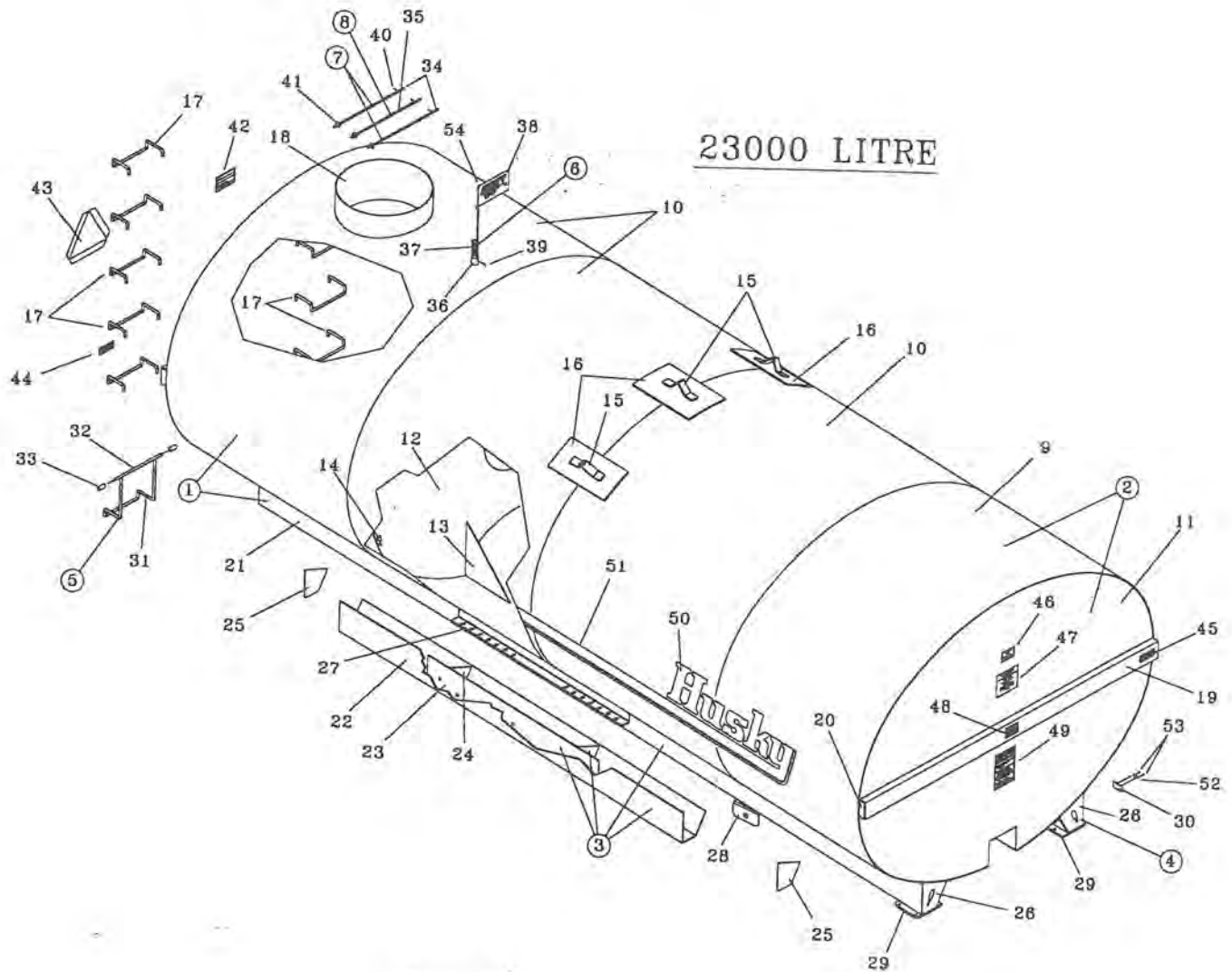
6. Never enter a tanker without special breathing equipment to supply oxygen. Manure gases can kill instantly. One breath of Hydrogen Sulphide can kill.
7. When looking up or repairing hydraulic hoses always wear safety glasses and relieve pressure to avoid getting oil in eyes.
8. Caution - disc brakes will not release unless valve lever is held momentarily in opposite position. This will relieve pressure in brake line. Do not put in float position, they will not release.

## 23000L TANK COMPLETE

| <u>KEYS</u> | <u>PARTS NUMBER</u> | <u>DESCRIPTION</u>            | <u>QTY</u> |
|-------------|---------------------|-------------------------------|------------|
| 1           | 357-01-00-000       | 23000L Tank & Sill Assy.      | 1          |
| 2           | 357-01-01-000       | 23000L Tank Assy.             | 1          |
| 3           | 357-01-02-000       | R.H. Sill Assy.               | 1          |
| 4           | 357-01-03-000       | L.H. Sill Assy.               | 1          |
| 5           | 364-02-19-000       | Ladder Bottom Rung Assy.      | 1          |
| 6           | 340-62-00-000       | Husky Flag Kit                | 1          |
| 7           | 364-47-00-000       | Manhole Safety Bar Assy.      | 2          |
| 8           | 364-49-00-000       | Long Manhole Safety Bar Assy. | 1          |
| 9           | 357-01-01-120       | Tank Shell                    | 1          |
| 10          | 340-01-01-301       | Tank Shell                    | 3          |
| 11          | 340-01-01-300       | Tank End                      | 2          |
| 12          | 340-01-01-302       | Baffle                        | 2          |
| 13          | 340-01-01-459       | Gusset                        | 8          |
| 14          | 300-01-00-016       | Baffle Bracket                | 32         |
| 15          | 300-01-00-012       | Lift Hook                     | 3          |
| 16          | 340-01-00-546       | Reinforcing Plate             | 3          |
| 17          | 364-02-00-008       | Ladder Rung                   | 9          |
| 18          | 364-02-00-006       | Manhole                       | 1          |
| 19          | 340-01-06-312       | Tank End Stiffener            | 2          |
| 20          | 340-01-06-464       | Stiffener Cap                 | 4          |
| 21          | 357-01-02-121       | Sill                          | 2          |
| 22          | 357-01-02-122       | Inner Sill                    | 2          |
| 23          | 340-01-02-304       | Sill Reinforcing              | 2          |
| 24          | 357-01-02-123       | Middle Reinforcing Plate      | 4          |
| 25          | 340-01-02-305       | End Sill Stiffeners           | 4          |
| 26          | 340-01-06-311       | Sill Cap                      | 4          |
| 27          | 364-02-00-280       | Axle Adjustment Angle         | 2          |
| 28          | 315-31-00-115       | Tongue "U" Piece              | 2          |
| 29          | 340-01-07-460       | Tank Support Hold Down Brkt   | 2          |
| 30          | 340-01-00-498       | Serial Number Plate           | 1          |
| 31          | 364-02-19-151       | Ladder Bottom Rung            | 1          |
| 32          | 364-02-19-152       | Ladder Top Piece              | 1          |
| 33          | 364-02-00-153       | Ladder Bracket                | 2          |
| 34          | 364-00-00-155       | Manhole Safety Bars           | 2          |
| 35          | 364-49-00-164       | Long Manhole Safety Bar       | 1          |
| 36          | 340-00-00-536       | Flag Spring Holder            | 1          |
| 37          | R08037              | Flag Spring                   | 1          |
| 38          | R09735              | Husky Flag                    | 1          |
| 39          | R07926              | 5/16-18 x 1/4 SS Set Screw    | 1          |
| 40          | R08207              | 3/32 x 1 1/2 S.S. Cotter Pin  | 3          |

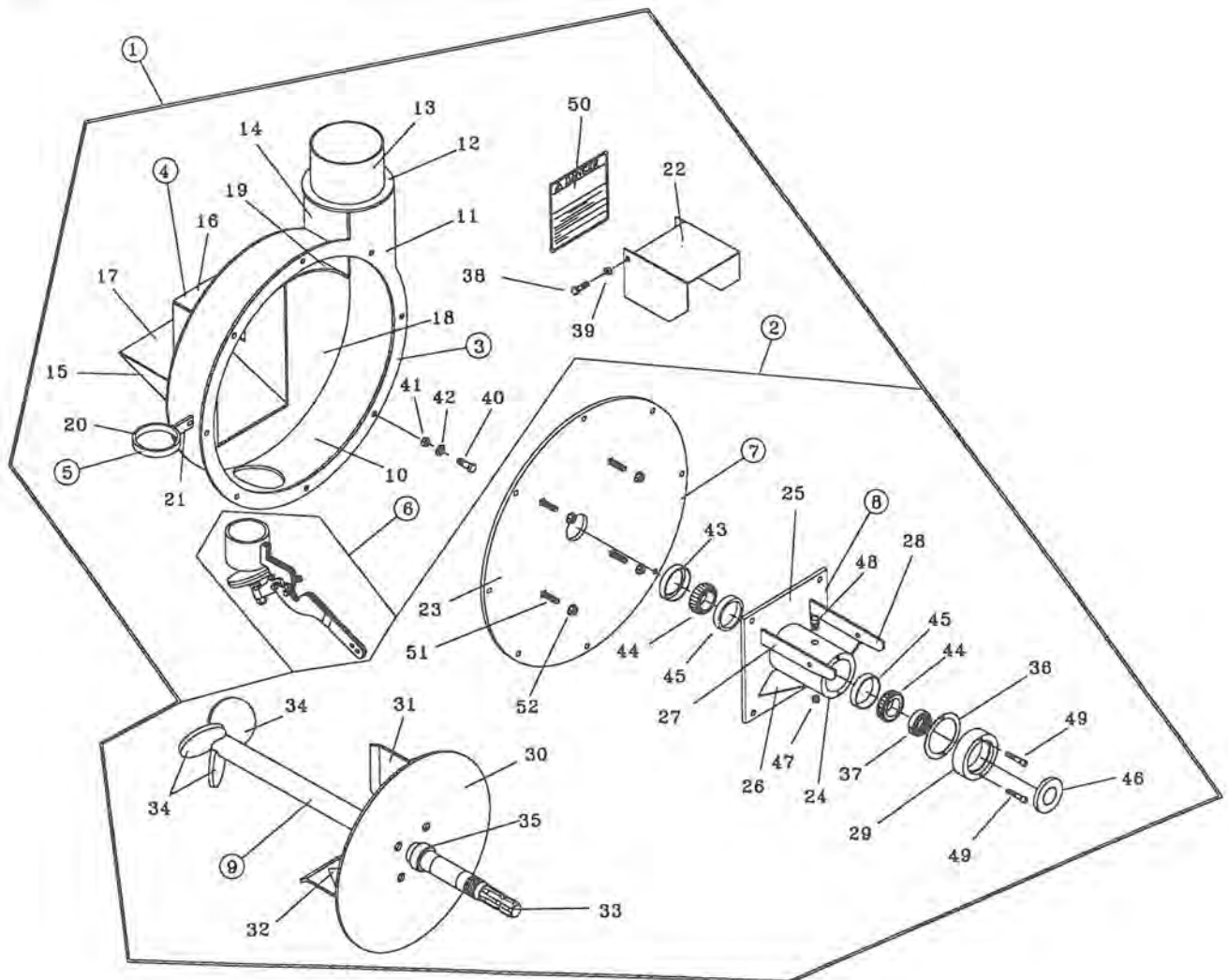
23000L TANK COMPLETE CONTINUED

| <u>KEYS</u> | <u>PARTS NUMBER</u> | <u>DESCRIPTION</u>       | <u>QTY</u> |
|-------------|---------------------|--------------------------|------------|
| 41          | R07825              | 1/2" Flat Washer         | 3          |
| 42          | R09784              | "Danger Toxic Gas" Decal | 1          |
| 43          | R09501              | Slow Moving Vehicle Sign | 1          |
| 44          | R10096              | Red Reflector            | 2          |
| <hr/>       |                     |                          |            |
| 45          | R10097              | Amber Reflector          | 1          |
| 46          | R09509              | "Made In Canada" Decal   | 1          |
| 47          | R09730              | "Tire Pressure" Decal    | 1          |
| 48          | R09512              | "Capacity" Decal         | 1          |
| <hr/>       |                     |                          |            |
| 49          | R09783              | "Caution" Decal          | 1          |
| 50          | R09510              | "Husky" Decal            | 2          |
| 51          | R09511              | Accent Stripe            | 2          |
| 52          | R09071              | Serial Number            | 1          |
| <hr/>       |                     |                          |            |
| 53          | R08152              | #6 x 1/4 Pan Head Screw  | 2          |
| 54          | R21371              | Plastic Tip              | 1          |



## FAN & HOUSING KIT

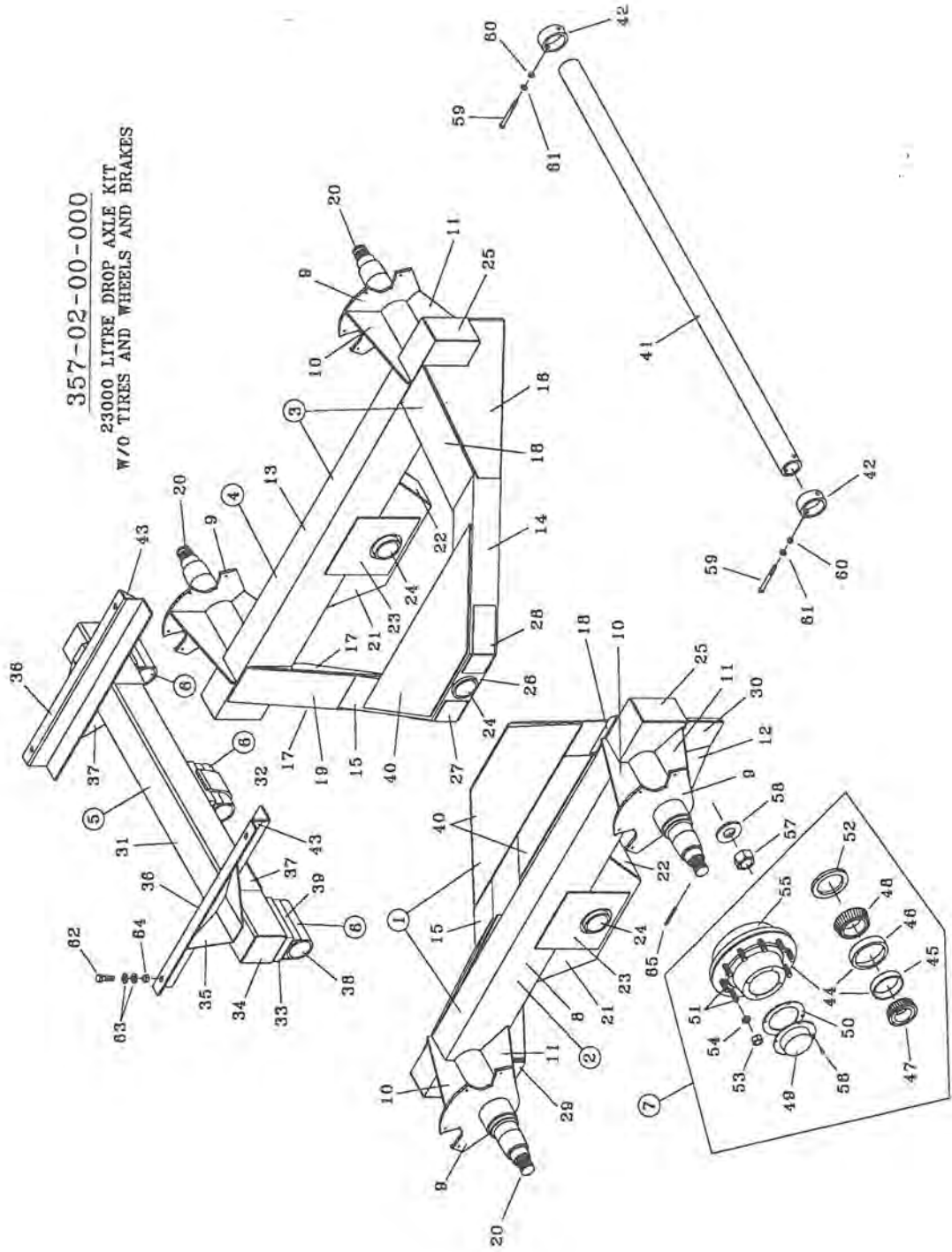
| <u>KEYS</u> | <u>PARTS NUMBER</u> | <u>DESCRIPTION</u>                 | <u>QTY</u> |
|-------------|---------------------|------------------------------------|------------|
| 1           | 364-23-00-000       | Model E Fan & Housing Kit 540 RPM  | 1          |
|             | 364-56-00-000       | Model E Fan & Housing Kit 1000 RPM | *          |
| 2           | 364-65-00-000       | 540 Fan, Cover Plate, & Brg Kit    | 1          |
|             | 364-66-00-000       | 1000 Fan, Cover Plate, & Brg Kit   | *          |
|             |                     |                                    |            |
| 3           | 364-01-03-000       | Fan Housing Assembly               | 1          |
| 4           | 364-01-15-000       | Housing Back Plate Assembly        | 1          |
| 5           | 364-41-00-000       | PTO Holder Assembly                | 1          |
| 6           | 364-62-00-000       | Drain Plug Kit                     | 1          |
| 7           | 364-67-00-000       | Cover Plate Assembly               | 1          |
| 8           | 364-61-00-000       | Bearing Holder Assembly            | 1          |
| 9           | 364-72-00-000       | Fan, Shaft & Agitator Assy - 540   | 1          |
|             | 364-73-00-000       | Fan, Shaft & Agitator Assy -1000   | *          |
| 10          | 364-01-03-018       | Housing Band                       | 1          |
| 11          | 364-01-03-019       | Housing Flange                     | 1          |
| 12          | 364-01-03-062       | Discharge Ring                     | 1          |
| 13          | 364-01-03-063       | Discharge Tube                     | 1          |



## FAN &amp; HOUSING KIT CONTINUED

| <u>KEYS</u> | <u>PARTS NUMBER</u> | <u>DESCRIPTION</u>                     | <u>QTY</u> |
|-------------|---------------------|--|------------|
| 14          | 364-01-03-081       | Fan Housing Vertical Pc                | 1          |
| 15          | 364-01-03-103       | Outlet Side Pc                         | 2          |
| 16          | 364-01-03-104       | Outlet Top Pc                          | 1          |
| 17          | 364-01-03-105       | Outlet Bottom Pc                       | 1          |
| 18          | 364-01-03-106       | Housing Back Plate                     | 1          |
| 19          | 364-01-03-156       | Housing Band Aid                       | 1          |
| 20          | 364-41-00-132       | Pto Holder                             | 1          |
| 21          | 364-41-00-133       | Pto Holder Brkt                        | 1          |
| 22          | 364-00-00-029       | Flip Guard                             | 1          |
| 23          | 364-67-00-211       | Cover Plate                            | 1          |
| 24          | 364-61-00-191       | Brg Tube                               | 1          |
| 25          | 364-61-00-192       | Seal Tube Back Plate                   | 1          |
| 26          | 364-61-00-193       | Seal Tube Gusset                       | 2          |
| 27          | 364-61-00-197       | RH Flip Guard Brkt                     | 1          |
| 28          | 364-61-00-198       | LH Flip Guard Brkt                     | 1          |
| 29          | 364-00-00-196       | Seal Tube Cap                          | 1          |
| 30          | 364-63-00-209       | Impeller Back Plate                    | 1          |
| 31          | 364-63-00-208       | 540 RPM Fan Blade                      | 4          |
|             | 364-64-00-210       | 1000 RPM Fan Blade                     | *          |
| 32          | 364-03-00-024       | Gusset                                 | 4          |
| 33          | 364-72-00-226       | Fan Shaft                              | 1          |
| 34          | 364-72-00-227       | Agitator Blades                        | 3          |
| 35          | R20238              | Hardened Sleeve                        | 1          |
| 36          | 364-00-00-225       | Cap Gasket                             | 1          |
| 37          | 364-00-00-212       | Stake Nut                              | 1          |
| 38          | R07619              | 3/8 x 1 Hex Bolt                       | 2          |
| 39          | R07886              | 3/8 Lock Nut                           | 2          |
| 40          | R07671              | 7/16 x 1 1/4 Hex Bolt                  | 8          |
| 41          | R07784              | 7/16 Hex Nut                           | 8          |
| 42          | R07804              | 7/16 Lock Washer                       | 8          |
| 43          | R21184              | Seal                                   | 1          |
| 44          | R20115              | Cone                                   | 2          |
| 45          | R20113              | Cup                                    | 2          |
| 46          | R21185              | Seal                                   | 1          |
| 47          | R02169              | Pipe Plug                              | 1          |
| 48          | R20685              | Vent Plug                              | 1          |
| 49          | R08175              | 5/16-18 UNC x 1 3/4 Cap Screw          | 2          |
| 50          | R09785              | "Danger" Decal                         | 1          |
| 51          | R07774              | 7/16 x 1 1/4 Carriage Bolt Gr. 5 Black | 4          |
| 52          | R07879              | 7/16 Flange Nut                        | 4          |

357-02-00-000  
 23000 LITRE DROP AXLE KIT  
 W/O TIRES AND WHEELS AND BRAKES





## 23000L DROP AXLE KIT

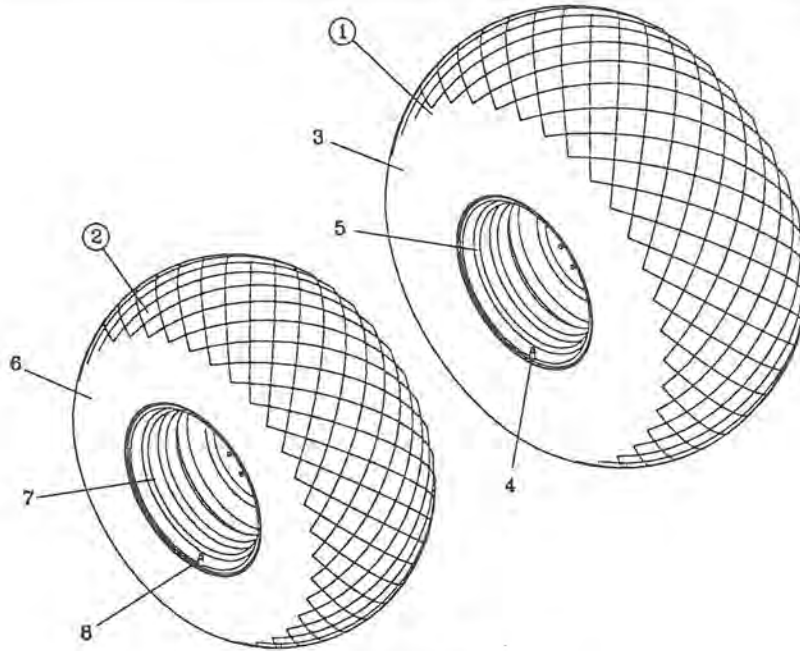
| <u>KEYS</u> | <u>PARTS NUMBER</u> | <u>DESCRIPTION</u>                  | <u>QTY</u> |
|-------------|---------------------|-------------------------------------|------------|
| 1           | 357-03-00-000       | R.H. Tandem Side                    | 1          |
| 2           | 357-03-01-000       | R.H. Walking Beam Assy.             | 1          |
| 3           | 357-04-00-000       | L.H. Tandem Side                    | 1          |
| 4           | 357-04-01-000       | L.H. Walking Beam Assy.             | 1          |
| 5           | 357-05-00-000       | Base Frame Assy.                    | 1          |
| 6           | 340-07-08-000       | Stationary Sleeve Assy.             | 3          |
| 7           | 357-06-00-000       | 25000 Lb Hub - 10 Bolt Hub Complete | 4          |
| 8           | 357-03-01-101       | R.H. Walking Beam                   | 1          |
| 9           | 357-03-01-103       | Brake Caliper Mount Plate           | 4          |
| 10          | 357-03-01-104       | Upper Spindle Gusset                | 4          |
| 11          | 357-03-01-105       | Side Spindle Gusset                 | 8          |
| 12          | 357-03-00-113       | Large Spindle Gusset                | 4          |
| 13          | 357-04-01-106       | L.H. Walking Beam                   | 1          |
| 14          | 357-03-00-107       | Front Tandem Arm                    | 2          |
| 15          | 357-03-00-108       | Rear Tandem Arm                     | 2          |
| 16          | 357-03-00-109       | Front Gusset                        | 4          |
| 17          | 357-03-00-110       | Rear Gusset                         | 4          |
| 18          | 357-03-00-111       | Front Gusset Cap                    | 2          |
| 19          | 357-03-00-112       | Rear Gusset Cap                     | 2          |
| 20          | 357-03-01-114       | 6" Spindle - 25000 Lb.              | 4          |
| 21          | 358-83-01-229       | Drop Tube                           | 2          |
| 22          | 358-83-01-233       | Drop Tube End Cap                   | 4          |
| 23          | 358-83-01-234       | Drop Tube Reinforcing Plate         | 4          |
| 24          | 358-83-01-235       | Walker Sleeve                       | 4          |
| 25          | 358-83-01-236       | Walking Beam End Cap                | 4          |
| 26          | 358-83-00-239       | Middle Connector Tube               | 2          |
| 27          | 358-83-00-248       | Rear Tie Plate                      | 2          |
| 28          | 358-83-00-249       | Front Tie Plate                     | 2          |
| 29          | 358-83-00-242       | Rear Tandem Arm End Cap             | 2          |
| 30          | 358-83-00-247       | Front Tandem Arm End Cap            | 2          |
| 31          | 357-05-00-115       | Cross Axle Support                  | 1          |
| 32          | 357-05-00-119       | Base Frame Band                     | 1          |
| 33          | 358-85-00-251       | Spacer Bar                          | 3          |
| 34          | 340-07-00-329       | Cover Plate                         | 2          |
| 35          | 340-11-00-354       | Reinforcing Plate                   | 2          |
| 36          | 358-85-00-253       | Sill "Z" Plate                      | 2          |
| 37          | 340-07-00-330       | Double Gusset                       | 4          |
| 38          | 340-07-08-322       | Stationary Sleeve                   | 3          |
| 39          | 340-07-08-323       | Sleeve Channel                      | 3          |
| 40          | 358-83-00-241       | Middle Reinforcing Plate            | 4          |

## 23000L DROP AXLE KIT

| <u>KEYS</u> | <u>PARTS NUMBER</u>      | <u>DESCRIPTION</u>                   | <u>QTY</u> |
|-------------|--------------------------|--------------------------------------|------------|
|             | <del>357-00-00-116</del> |                                      |            |
|             | 356-10-02-066            |                                      |            |
| 41          | <del>357-00-00-116</del> | Axle Tube                            | 1          |
| 42          | 357-00-00-118            | Retaining Ring                       | 2          |
| 43          | 330-69-00-550            | Gusset                               | 4          |
| 44          | R22035                   | 25000Lb Hub w/cups                   | 4          |
| -----       |                          |                                      |            |
| 45          | R22037                   | Outer Cup 652                        | 4          |
| 46          | R22038                   | Inner Cup 71750                      | 4          |
| 47          | R22039                   | Outer Cup 663                        | 4          |
| 48          | R22040                   | Inner Cup 71455                      | 4          |
| -----       |                          |                                      |            |
| 49          | R22041                   | Dust Cap D-25000                     | 4          |
| 50          | R22042                   | Dust Cap Gasket                      | 4          |
| 51          | R22044                   | Wheel Bolts 3/4-16 x 3 1/2           | 40         |
| 52          | R22045                   | Hub Seal 456192                      | 4          |
| -----       |                          |                                      |            |
| 53          | R07820                   | Wheel Nuts 3/4-16 High Nut           | 40         |
| 54          | R20152                   | 3/4" Spherical Washer                | 40         |
| 55          | R22036                   | 25000Lb Hub - Machined Less Bearings | 4          |
| 56          | R07694                   | Dust Cap Bolts 5/16-18 x 1/2         | 16         |
| -----       |                          |                                      |            |
| 57          | R22047                   | Spindle Nut 2 1/2 -12N               | 4          |
| 58          | R22046                   | Spindle Washer 2 1/2                 | 4          |
| 59          | R07660                   | 3/4 x 6 Hex Bolt                     | 2          |
| 60          | R07787                   | 3/4 Hex Nut                          | 2          |
| -----       |                          |                                      |            |
| 61          | R07807                   | 3/4 Lock Washer                      | 2          |
| 62          | R07655                   | 3/4 x 2 1/2 Hex Bolt                 | 4          |
| 63          | R07827                   | 3/4" Flat Washer                     | 8          |
| 64          | R07878                   | 3/4" Nyloc Hex Nut                   | 4          |
| -----       |                          |                                      |            |
| 65          | R07987                   | Roll Pin 3/8 x 3 1/2                 | 4          |

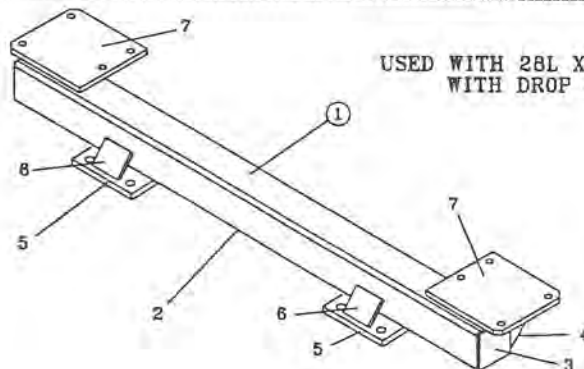
23000L TIRES & WHEELS

| <u>KEYS</u> | <u>PARTS NUMBER</u> | <u>DESCRIPTION</u>                 | <u>QTY</u> |
|-------------|---------------------|------------------------------------|------------|
| 1           | 357-07-00-000       | 30.5 L x 32 Tire & Wheel Assy.     | 4          |
| 2           | 357-11-00-000       | 28L x 26 Tire & Wheel Assy.        | *          |
| 3           | R22070              | 30.5 L 32 R3 12 Ply Tire           | 4          |
| 4           | R22072              | 30.5L 32 Tube                      | 4          |
| <hr/>       |                     |                                    |            |
| 5           | R22071              | 27-32 x 10 Bolt wheel 13.19 B.C.   | 4          |
| 6           | R20015              | 28L x 26 Turf Tire                 | *          |
| 7           | R22076              | 25 x 26 x 10 Bolt Wheel 13.19 B.C. | *          |
| 8           | R20161              | Valve Stem                         | *          |



23000L CROSS SUPPORT

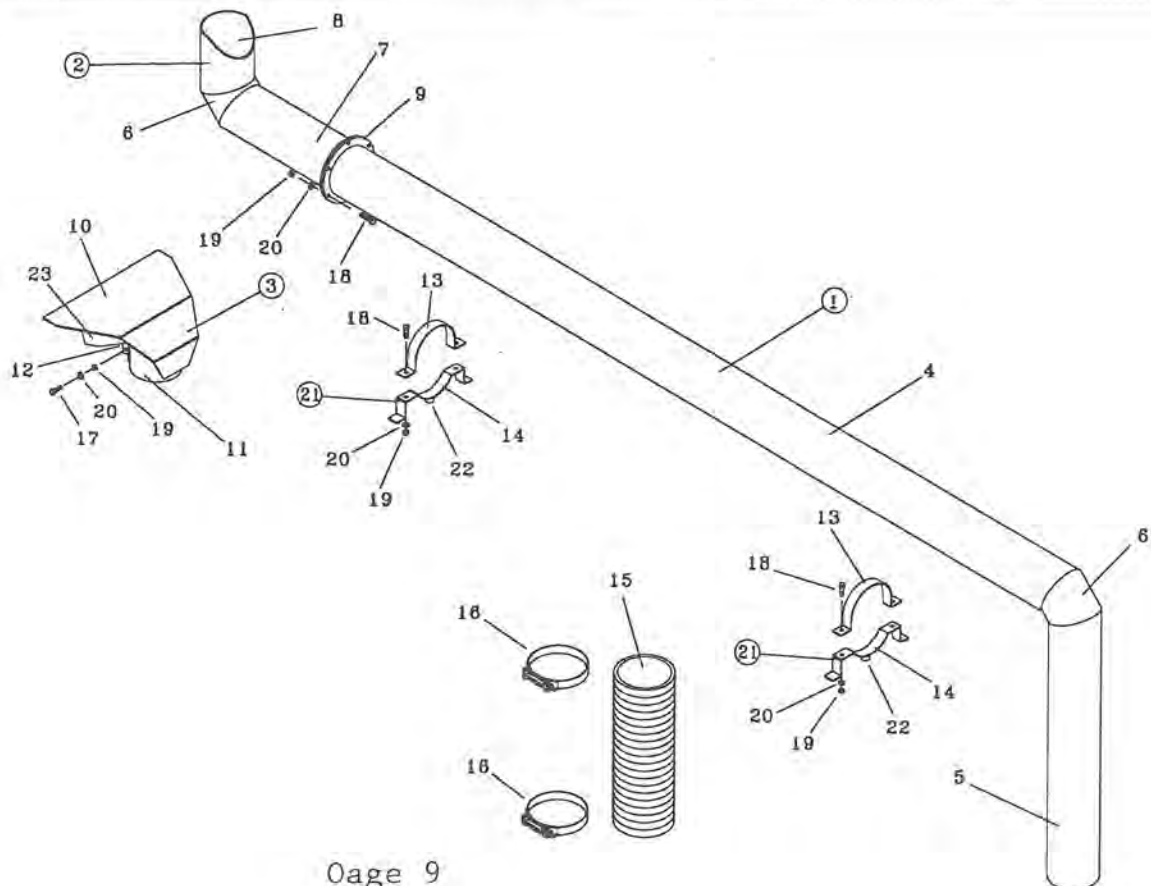
| <u>KEYS</u> | <u>PARTS NUMBER</u> | <u>DESCRIPTION</u>                  | <u>QTY</u> |
|-------------|---------------------|-------------------------------------|------------|
| 1           | 358-81-00-000       | Cross Member Assy. - 28L x 26 Tires | 1          |
| 2           | 358-81-00-277       | Cross Member                        | 1          |
| 3           | 358-81-00-278       | End Cap                             | 2          |
| 4           | 358-81-00-279       | Gusset                              | 2          |
| <hr/>       |                     |                                     |            |
| 5           | 358-45-00-148       | Tongue Strap                        | 2          |
| 6           | 364-02-17-123       | Tongue Strap Gusset                 | 2          |
| 7           | 340-01-07-460       | Tank Support Hold Down Brackets     | 2          |



USED WITH 28L X 26 TIRES  
WITH DROP AXLE

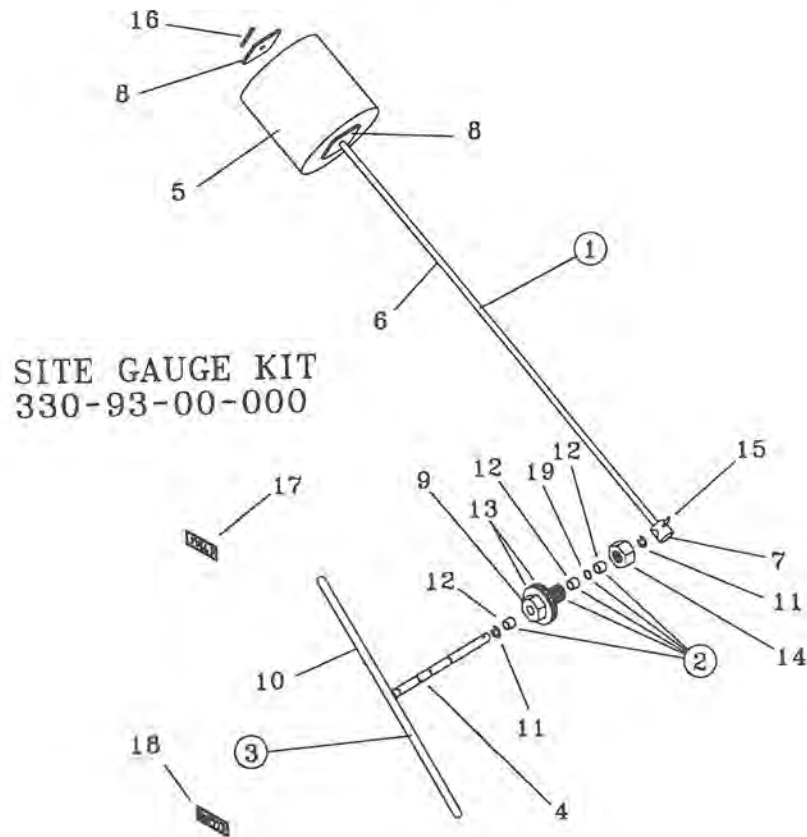
## DISCHARGE PIPE ASSEMBLY

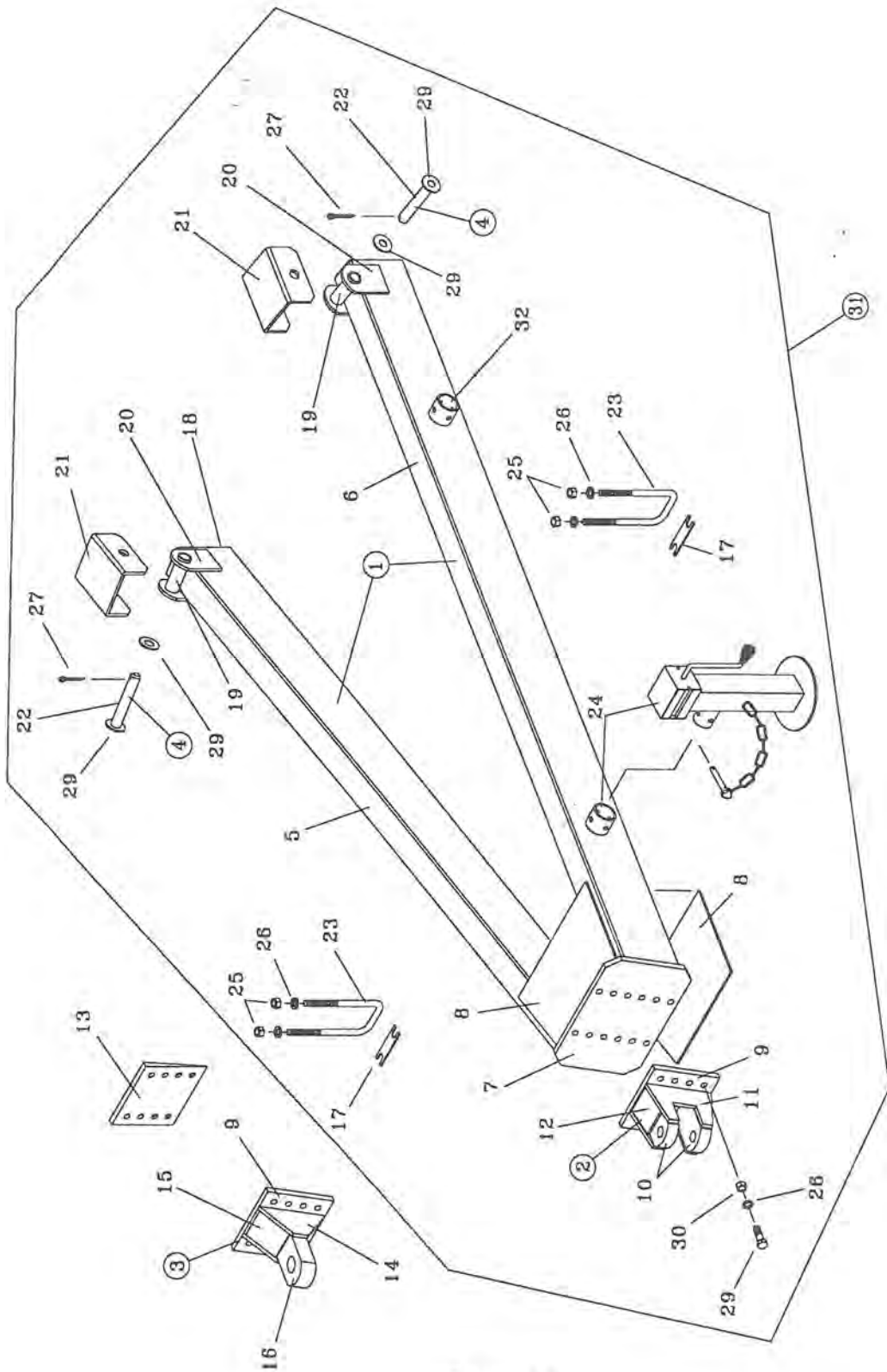
| <u>KEYS</u> | <u>PARTS NUMBER</u> | <u>DESCRIPTION</u>           | <u>QTY</u> |
|-------------|---------------------|------------------------------|------------|
| 1           | 357-08-00-000       | Discharge Pipe Assy - 23000L | 1          |
| 2           | 364-25-00-000       | Discharge Pipe End Section   | 1          |
| 3           | 364-21-00-000       | Splash Plate Assy.           | 1          |
| 4           | 357-08-00-124       | Horizontal Discharge Pipe    | 1          |
| <hr/>       |                     |                              |            |
| 5           | 358-32-00-109       | Vertical Discharge Pipe      | 1          |
| 6           | 364-19-00-082       | Discharge Pipe Corner Piece  | 2          |
| 7           | 364-25-00-088       | Discharge Pipe Flange Piece  | 1          |
| 8           | 364-25-00-067       | Discharge Pipe End Piece     | 1          |
| <hr/>       |                     |                              |            |
| 9           | 364-19-00-087       | Discharge Pipe Flange        | 2          |
| 10          | 364-21-00-069       | Splash Plate                 | 1          |
| 11          | 364-21-00-070       | Clamping Tube                | 1          |
| 12          | 364-21-00-071       | Clamping Tube Bracket        | 2          |
| <hr/>       |                     |                              |            |
| 13          | 364-00-00-083       | Discharge Clamp Upper Piece  | 2          |
| 14          | 364-50-00-084       | Discharge Clamp Base Piece   | 2          |
| 15          | 364-00-00-066       | Flex Hose                    | 1          |
| 16          | R02482              | 6" Clamp                     | 2          |
| <hr/>       |                     |                              |            |
| 17          | R07622              | 3/8 x 2 1/2 Hex Bolt         | 2          |
| 18          | R07675              | 3/8 x 1 1/4 Hex Bolt         | 10         |
| 19          | R07783              | 3/8 Hex Nut                  | 12         |
| 20          | R07803              | 3/8 Lock Washer              | 12         |
| <hr/>       |                     |                              |            |
| 21          | 364-50-00-000       | Discharge Clamp Base Assy.   | 2          |
| 22          | 364-50-00-165       | Discharge Clamp Spacer       | 2          |
| 23          | 364-21-00-224       | Splash Plate Wing            | 2          |



## SIGHT GAUGE KIT

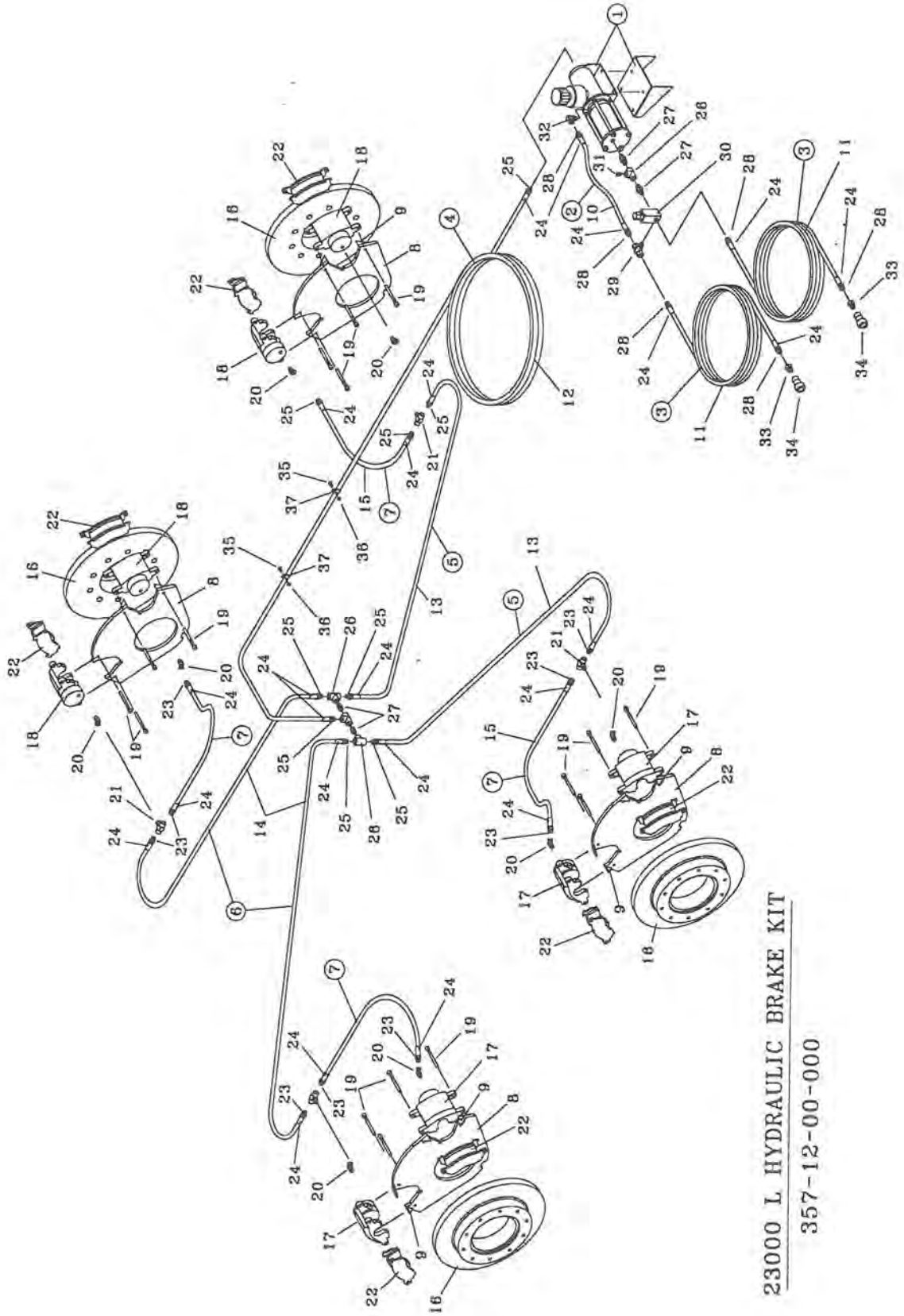
| <u>KEYS</u> | <u>PARTS NUMBER</u> | <u>DESCRIPTION</u>             | <u>QTY</u> |
|-------------|---------------------|--------------------------------|------------|
| 1           | 330-93-30-000       | Float Arm Assy                 | 1          |
| 2           | 330-93-31-000       | Bronze Brg Holder Assy         | 1          |
| 3           | 330-93-32-000       | Indicator Arm Assy.            | 1          |
| 4           | 330-93-32-374       | Connector Shaft                | 1          |
| <hr/>       |                     |                                |            |
| 5           | 330-93-00-375       | Float                          | 1          |
| 6           | 330-93-00-376       | Float Arm                      | 1          |
| 7           | 330-93-30-377       | Boss                           | 1          |
| 8           | 330-93-30-378       | Float Straps                   | 2          |
| <hr/>       |                     |                                |            |
| 9           | 330-93-31-379       | Bronze Bearing Holder          | 1          |
| 10          | 330-93-32-424       | Indicator Arm                  | 1          |
| 11          | R07974              | External Retaining Ring        | 2          |
| 12          | R21173              | 1/2 x 5/8 x 1/2 Bronze Bushing | 3          |
| <hr/>       |                     |                                |            |
| 13          | R07828              | 1" Flat Washer                 | 2          |
| 14          | R07788              | 1" Hex Nut                     | 1          |
| 15          | R08241              | 3/16 x 1 SS. Roll Pin          | 1          |
| 16          | R08021              | 1/8 x 1 SS Cotter Pin          | 1          |
| <hr/>       |                     |                                |            |
| 17          | R09529              | "Full" Sticker                 | 1          |
| 18          | R09530              | "Empty" Sticker                | 1          |
| 19          | R20865              | 1/2 x 5/8 x 1/16 O Ring        | 1          |





TONGUE AND HITCH

| <u>KEYS</u> | <u>PARTS NUMBER</u> | <u>DESCRIPTION</u>          | <u>QTY</u> |
|-------------|---------------------|-----------------------------|------------|
| 1           | 358-42-00-000       | Tongue Assy.                | 1          |
| 2           | 358-43-00-000       | Standard Hitch Assy.        | 1          |
| 3           | 358-44-00-000       | Single Point Hitch Assy     | *          |
| 4           | 315-39-00-000       | Lock Pin Assy.              | 2          |
| 5           | 358-42-00-135       | R.H. Tongue Tube            | 1          |
| 6           | 358-42-00-136       | L.H. Tongue Tube            | 1          |
| 7           | 358-42-00-137       | Hitch Bolt Plate            | 1          |
| 8           | 358-42-00-138       | Tongue Tube Gusset          | 2          |
| 9           | 358-43-00-139       | Hitch Back Plate            | 1          |
| 10          | 358-43-00-140       | Hitch Plate                 | 2          |
| 11          | 358-43-00-141       | Hitch Side Gusset           | 2          |
| 12          | 358-43-00-142       | Hitch Upper Gusset          | 2          |
| 13          | 358-00-00-143       | Wedge Plate                 | *          |
| 14          | 358-44-00-144       | Side Gusset                 | 2          |
| 15          | 358-44-00-145       | Top Gusset                  | 2          |
| 16          | 364-26-00-091       | Single Point Hitch          | 1          |
| 17          | 364-00-00-131       | "U" Bolt Spacer             | 2          |
| 18          | 315-36-00-147       | Tongue Tube End Cap         | 2          |
| 19          | 315-36-00-145       | Bushing                     | 2          |
| 20          | 315-36-00-146       | Side Piece                  | 4          |
| 21          | 315-31-00-115       | Tongue "U" Piece            | 2          |
| 22          | 315-39-00-155       | Lock Pin                    | 2          |
| 23          | R08172              | 3/4 NF x 10" "U" Bolt       | 2          |
| 24          | R10215              | 8000Lb Side Wind Jack       | 1          |
| 25          | R07820              | 3/4" NF Hex Nut             | 4          |
| 26          | R07807              | 3/4" Lock Washer            | 12         |
| 27          | R08016              | 1/4 x 2 Cotter Pin          | 2          |
| 28          | R07830              | 1 1/4" Flat Washer          | 4          |
| 29          | R07655              | 3/4 x 2 1/2 Hex Bolt        | 8          |
| 30          | R07787              | 3/4" UNC Hex Nut            | 8          |
| 31          | 358-57-00-000       | Tongue & Hitch Kit          | 1          |
| 32          | 358-42-00-260       | Tongue Jack Storage Bracket | 1          |



**23000 L HYDRAULIC BRAKE KIT**

357-12-00-000



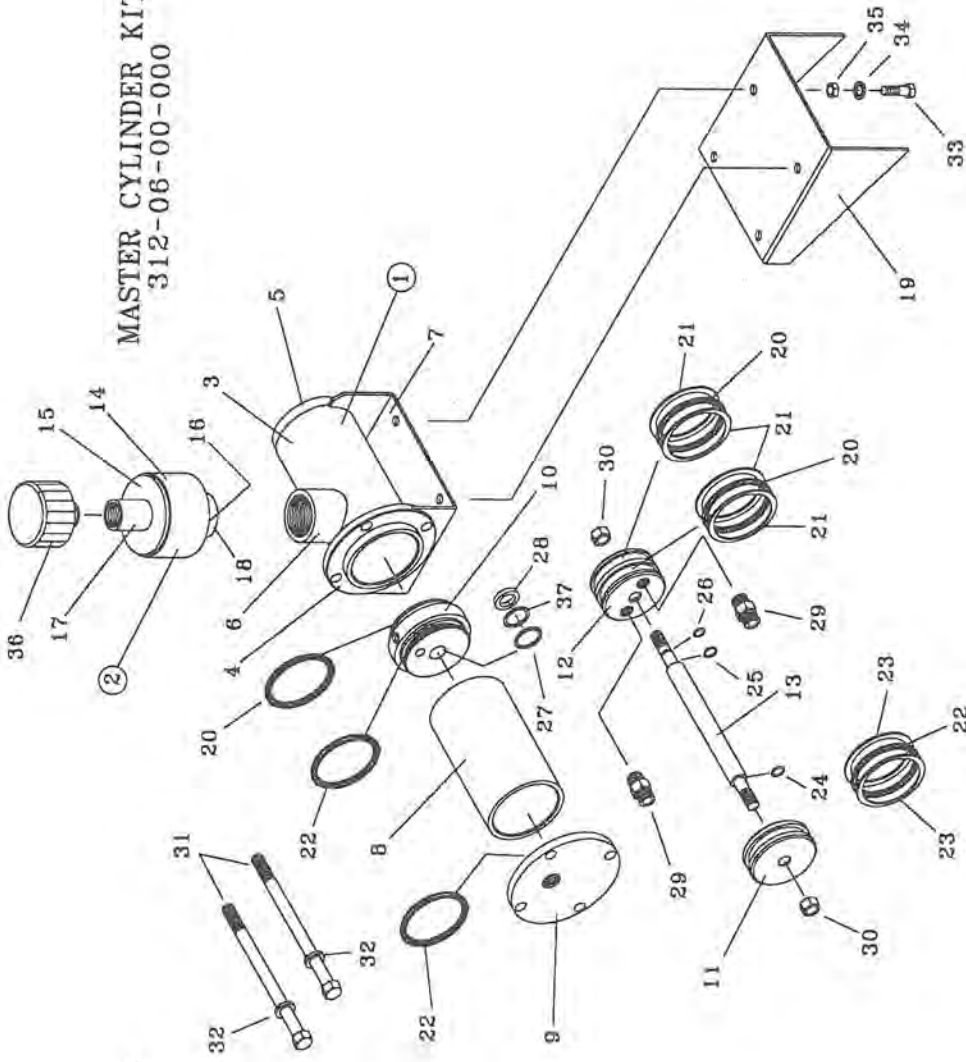
## 23000L BRAKE KIT

| <u>KEYS</u> | <u>PARTS NUMBER</u> | <u>DESCRIPTION</u>                     | <u>QTY</u> |
|-------------|---------------------|--|------------|
| 1           | 312-06-00-000       | Master Cylinder Kit                    | 1          |
| 2           | 312-06-05-000       | Hydraulic Hose Assy.                   | 1          |
| 3           | 340-17-39-000       | Hydraulic Hose Assy.                   | 2          |
| 4           | 340-17-38-000       | Hydraulic Brake Hose Main Line         | 1          |
| 5           | 340-17-15-000       | Hydraulic Brake Hose Assy. - Front     | 2          |
| 6           | 340-17-16-000       | Hydraulic Brake Hose Assy. - Rear      | 2          |
| 7           | 357-13-00-000       | Hydraulic Brake Hose Assy. - Secondary | 4          |
| 8           | 357-03-01-103       | Brake Caliper Mount Plate              | 4          |
| 9           | 340-08-10-334       | Caliper Plate Support                  | 16         |
| 10          | 312-06-05-048       | Hydraulic Hose                         | 1          |
| 11          | 340-17-39-545       | Hydraulic Hose                         | 2          |
| 12          | 340-17-38-544       | Hydraulic Hose - Main Line             | 1          |
| 13          | 340-17-15-390       | Hydraulic Hose - Front                 | 2          |
| 14          | 340-17-16-391       | Hydraulic Hose - Rear                  | 2          |
| 15          | 357-13-00-127       | Hydraulic Hose - Secondary             | 4          |
| 16          | R22048              | Cast Brake Disc                        | 4          |
| 17          | R21065              | R.H. Brake Caliper TC500               | 4          |
| 18          | R21066              | L.H. Brake Caliper TC501               | 4          |
| 19          | R21070              | Guide Pins                             | 16         |
| 20          | R21308              | 45 Deg. 7/16 SAE x 1/4 NPT Adapter     | 8          |
| 21          | R21407              | 1/4" Hydraulic Tee FxFxM               | 4          |
| 22          | R21067              | Brake Pads (Pair)                      | 8          |
| 23          | R20807              | 1/4-18 NPT Solid Male Stem             | 12         |
| 24          | R21231              | Steel Ferrule (1/4" Hose)              | 24         |
| 25          | R20806              | 3/8-18 NPT Swivel Male Stem            | 6          |
| 26          | R21400              | 3/8 Hydraulic Tee                      | 4          |
| 27          | R21399              | 3/8 Hydraulic Nipple                   | 4          |
| 28          | R20803              | 3/8-18 NPT Solid Male Stem             | 6          |
| 29          | R21391              | 3/8-18 NPT Swivel Tee Adapter          | 1          |
| 30          | R21201              | Relief Valve                           | 1          |
| 31          | R02151              | 3/8 Pipe Plug                          | 1          |
| 32          | R21334              | 1/4M x 3/8F x 90 Deg. Swivel Adapter   | 1          |
| 33          | R02043              | 1/2 x 3/8" Bushing                     | 2          |
| 34          | R21342              | Pioneer Coupler                        | 2          |
| 35          | R07698              | 1/4 x 1/2 Hex Bolt                     | 14         |
| 36          | R07781              | 1/4 Hex Nut                            | 14         |
| 37          | R21104              | Hydraulic Hose Clips                   | 14         |

MASTER CYLINDER

| <u>KEYS</u> | <u>PARTS NUMBER</u> | <u>DESCRIPTION</u>                | <u>QTY</u> |
|-------------|---------------------|-----------------------------------|------------|
| 1           | 312-06-02-000       | Master Cylinder Tube Assembly     | 1          |
| 2           | 312-06-03-000       | Reservoir Assy                    | 1          |
| 3           | 312-06-02-000       | Master Cylinder Tube              | 1          |
| 4           | 312-06-02-031       | Master Cylinder Flange            | 1          |
| 5           | 312-06-02-032       | Master Cylinder End Cap           | 1          |
| 6           | 312-06-02-033       | Coupler                           | 1          |
| 7           | 312-06-02-034       | Mount Plate                       | 1          |
| 8           | 312-06-00-035       | Hydraulic Cylinder Tube           | 1          |
| 9           | 312-06-00-036       | Hydraulic Cylinder End Cap        | 1          |
| 10          | 312-06-00-037       | Cylinder Divider Block            | 1          |
| 11          | 312-06-00-038       | Hydraulic Plunger                 | 1          |
| 12          | 312-06-00-039       | Master Cylinder Plunger           | 1          |
| 13          | 312-06-00-040       | Shaft                             | 1          |
| 14          | 312-06-03-041       | Reservoir Tube                    | 1          |
| 15          | 312-06-03-042       | Reservoir Top Plate               | 1          |
| 16          | 312-06-03-043       | Reservoir Bottom Plate            | 1          |
| 17          | 312-06-03-045       | Reservoir Coupling                | 1          |
| 18          | 312-06-03-046       | Reservoir Nipple                  | 1          |
| 19          | 312-06-00-047       | Tongue Mount Plate                | 1          |
| 20          | R20868              | EP ORing #334 ( 2 5/8 x 3 x 3/16) | 3          |
| 21          | R20873              | Back Ups Teflon #334              | 4          |
| 22          | R20836              | O Ring #11-334 (2 5/8 x 3 x 3/16) | 3          |
| 23          | R20837              | Back Ups #8-334                   | 2          |
| 24          | R20865              | O Ring #11-014 (1/2 x 5/8 x 1/16) | 1          |
| 25          | R20870              | EP Oring 014 (1/2 x 5/8 x 1/16)   | 1          |
| 26          | R20869              | EP Oring 012 (3/8 x 1/2 x 1/16)   | 1          |
| 27          | R20871              | EP Oring 210 (3/4 x 1 x 1/8)      | 1          |
| 28          | R20872              | 3/4" Hytrel Rod Wiper 52-750      | 1          |
| 29          | R21207              | 3/8 Check Valve                   | 2          |
| 30          | R07885              | 1/2"-13 UNC Lock Nut              | 2          |
| 31          | R07679              | 1/2-13 UNC x 8 Hex Bolt           | 4          |
| 32          | R07805              | 1/2 Lock Washer                   | 4          |
| 33          | R07620              | 3/8-16 UNC x 1 1/2 Hex Bolt       | 4          |
| 34          | R07803              | 3/8 Lock Washer                   | 4          |
| 35          | R07783              | 3/8-16 UNC Hex Nut                | 4          |
| 36          | R21103              | Filler Breather                   | 1          |
| 37          | R20874              | 3/4" Back Up Teflon               | 1          |
| 38          | 312-07-00-000       | O Ring Repair Kit                 | *          |

MASTER CYLINDER KIT  
312-06-00-000

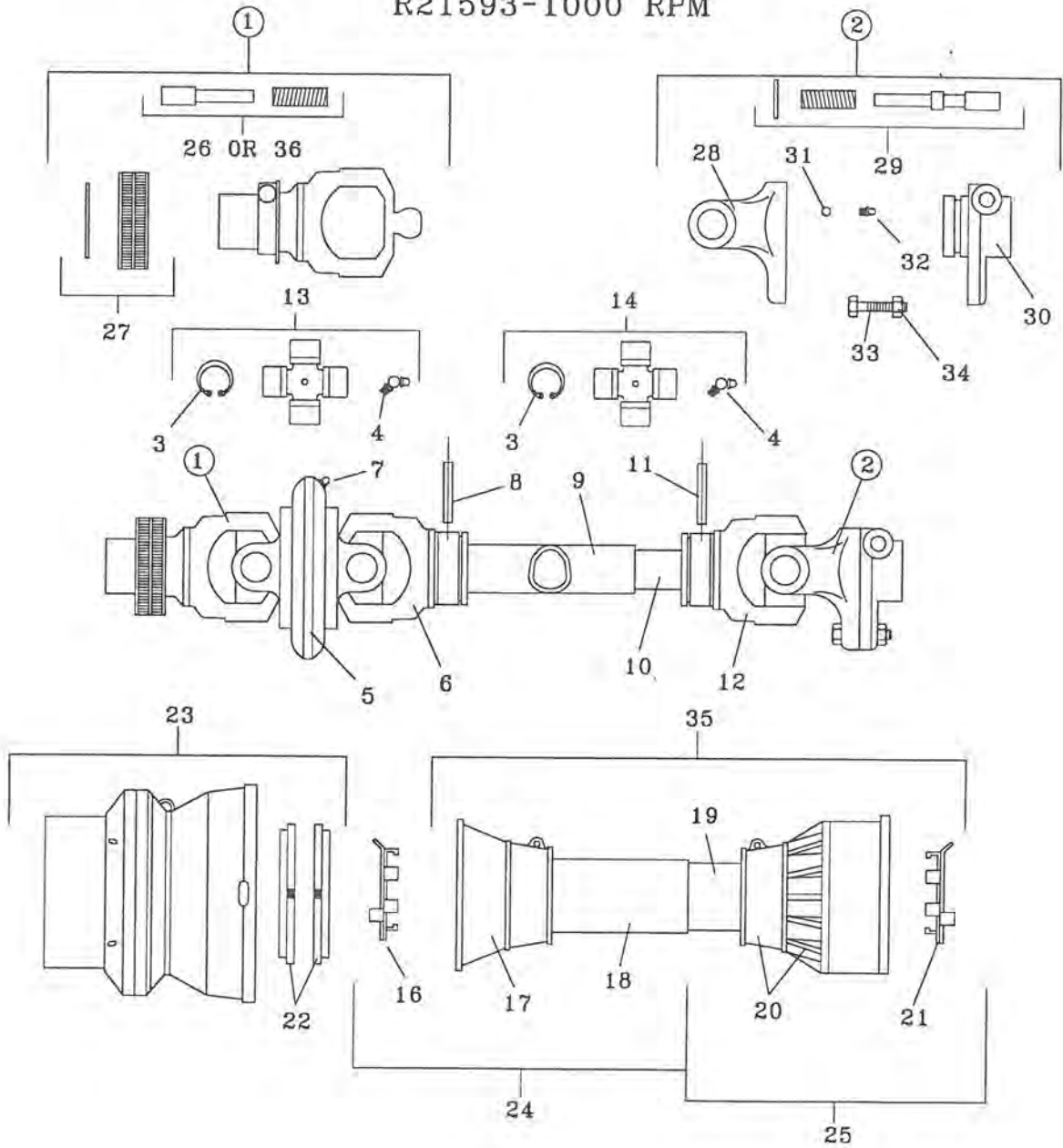


BONDIOLI AND PAVESI PTO

C/W 80° CV JOINT

R21592-540 RPM

R21593-1000 RPM

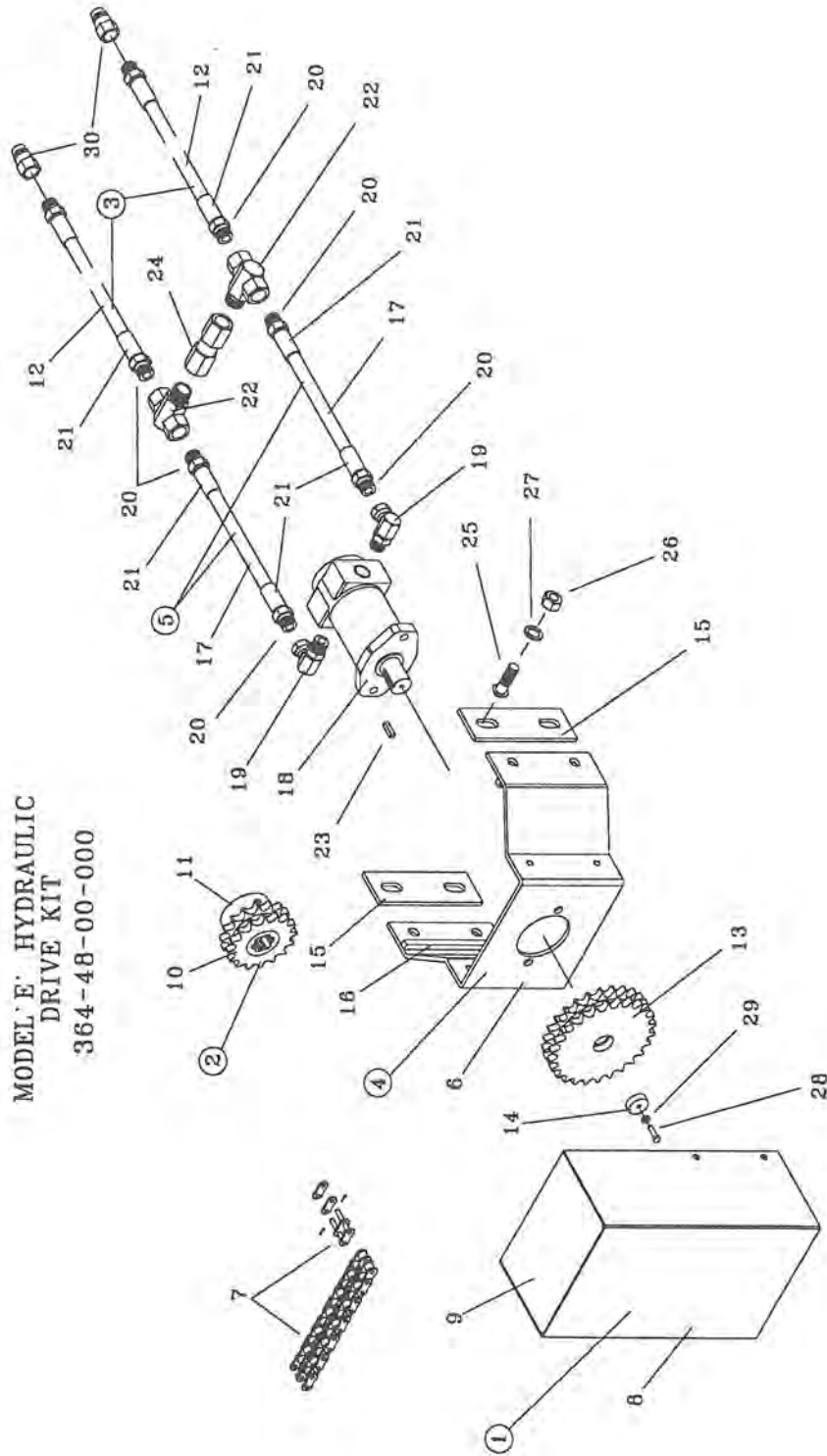


80 DEG. BONDIOLI AND PAVESI CV PTO - R21592 540 RPM  
 - R21593 1000 RPM

| <u>KEYS</u> | <u>MFG #</u> | <u>PART #</u> | <u>DESCRIPTION</u>                | <u>QTY</u> |
|-------------|--------------|---------------|-----------------------------------|------------|
| 1           |              | R21712        | 1 3/4" - 20 T Yoke                | 1          |
|             | 573040375    | R21681        | Yoke w/ Bridge 540 RPM            | 1          |
|             | 573043775    | R21680        | Yoke w/ Bridge 1000 RPM           |            |
| 2           | 606404001    | R21695        | Torque Lim SB 4/4                 | 1 *        |
| 3           | 338009000    | R21613        | Circlip                           | 8          |
| 4           | 348004000    | R21655        | Grease Nipple                     | 3          |
| 5           | 511040051    | R21685        | Central Body                      | 1          |
| 6           | 215046854    | R21686        | Yoke                              | 1          |
| 7           | 348017000    | R21687        | Grease Nipple                     | 1          |
| 8           | 341038000    | R21475        | Flexible Pin                      | 1 *        |
| 9           | 225310630    | R21689        | Cardan Tube                       | 1          |
| 10          | 245100630    | R21690        | Cardan Tube CM                    | 1          |
| 11          | 341048000    | R21476        | Flexible Pin                      | 1 *        |
| 12          | 204046852    | R21472        | Inner Tube Yoke                   | 1 *        |
| 13          | 412040012    | R21682        | Cross Journal Assy                | 2          |
| 14          | 41204        | R21693        | Cross Journal Assy                | 1          |
| 15          | 338017000    | R21694        | Circlip                           | 4          |
| 16          | 255040005    | R21696        | O. Bearing 3-4                    | 1 *        |
| 17          | 254040024    | R21697        | O. Basic Cones N3-4               | 1          |
| 18          | 236680577    | R21698        | CM Safety Tube                    | 1          |
| 19          | 236670577    | R21699        | CM Safety Tube                    | 1          |
| 20          | 517040061    | R21700        | I. Cone Set N3-4                  | 1          |
| 21          | 255040006    | R21701        | I. Bearing 3-4                    | 1 *        |
| 22          | 255040351    | R21702        | Ring Nut Dowels                   | 1          |
| 23          | 517048001    | R21703        | Complete Shell                    | 1          |
| 24          | 5NE4078W1654 | R21709        | Half Safety Guard                 | 1          |
| 25          | 5NI40788NN   | R21710        | Half Safety Guard                 | 1          |
| 26          | 403000001    | R21669        | Complete Push Button              | 1 ~        |
| 27          | 240080061    | R21670        | Hub                               | 1 ~        |
| 28          | 213040020    | R21704        | Shear Yoke                        | 1          |
| 29          | 401000001    | R21451        | Complete Push Button              | 1~ *       |
| 30          | 513070324    | R21706        | Hub c/w Quick Disconnect          | 1          |
| 31          | 362002000    | R21705        | 1/4" Ball                         | 23         |
| 32          | 348012000    | R21672        | Grease Nipple                     | 1          |
| 33          | 432000047    | R08251        | M8 1.25 x 45 Bolt                 | 1          |
| 34          |              | R08252        | M8 1.25 x Lock Nut                | 1          |
| 35          | 5N04078W1654 | R21711        | Safety Guard                      | 1          |
| 36          | 403000011    | R21735        | Push Pin for 1 3/4 - 20 T Turnlok |            |

\* Same as 70 Deg. CV. PTO  
 ~ Same as K31

MODEL 'E' HYDRAULIC  
DRIVE KIT  
364-48-00-000



364-48-00-000 MODEL "E" HYDRAULIC DRIVE KIT

| <u>KEYS</u> | <u>PARTS NUMBER</u> | <u>DESCRIPTION</u>                        | <u>QTY</u> |
|-------------|---------------------|---|------------|
| 1           | 364-48-22-000       | Guard Assembly                            | 1          |
| 2           | 364-48-23-000       | Fan Shaft Sprocket Assy                   | 1          |
| 3           | 364-48-24-000       | Hydraulic Hose Assy - To Tractor          | 2          |
| 4           | 364-48-31-000       | Motor Mount Assembly                      | 1          |
| 5           | 364-48-32-000       | Hydraulic Hose Assy - Motor To Chk Valve  | 2          |
| 6           | 364-48-31-157       | Hydraulic Motor Mount                     | 1          |
| 7           | 364-48-00-158       | #60 Double Roller Chain w/ Conn           | 1          |
| 8           | 364-48-22-159       | Guard Body                                | 1          |
| 9           | 364-48-22-160       | Guard Cap                                 | 1          |
| 10          | 364-48-23-161       | Fan Shaft Sprocket #D60B16                | 1          |
| 11          | 364-48-23-162       | Spline Adaptor                            | 1          |
| 12          | 364-48-24-163       | 3/4" Hydraulic Hose                       | 2          |
| 13          | 364-48-00-166       | Motor Sprocket #D60B26                    | 1          |
| 14          | 364-48-00-167       | Plug                                      | 1          |
| 15          | 364-48-00-185       | Motor Mount Bracket                       | 2          |
| 16          | 364-48-31-186       | Guide Bar                                 | 2          |
| 17          | 364-48-32-187       | 3/4" Hydraulic Hose                       | 2          |
| 18          | R21346              | 110 Series Nichols - Gray Hyd Motor       | 1          |
| 19          | R21323              | 7/8-14 SAE O Ring Boss 3/4 NPT SW Adaptor | 2          |
| 20          | R21241              | 3/4" Male Solid Stem                      | 8          |
| 21          | R20824              | 3/4" Ferrule                              | 8          |
| 22          | R21393              | 3/4" NPT Hyd Swivel Tee                   | 2          |
| 23          | R11114              | Key                                       | 1          |
| 24          | R21202              | 3/4" NPT In Line Check Valve              | 1          |
| 25          | R07753              | 5/8 x 1 1/2 Carriage Bolt                 | 4          |
| 26          | R07786              | 5/8 Hex Nut                               | 4          |
| 27          | R07806              | 5/8 Lock Washer                           | 4          |
| 28          | R07603              | 1/4 x 1 1/2 Hex Bolt                      | 1          |
| 29          | R07801              | 1/4" Lock Washer                          | 1          |
| 30          | R21338              | 3/4" Pioneer Tip                          | 2          |

DRAIN PLUG KIT

| <u>KEYS</u> | <u>PARTS NUMBER</u> | <u>DESCRIPTION</u>               | <u>QTY</u> |
|-------------|---------------------|----------------------------------|------------|
| 1           | 364-62-01-000       | Drain Plug Sleeve Assy           | 1          |
| 2           | 364-62-02-000       | Plug Assy                        | 1          |
| 3           | 364-62-03-000       | Handle Assy                      | 1          |
| 4           | 364-62-00-199       | Housing Brkt                     | 2          |
| <hr/>       |                     |                                  |            |
| 5           | 364-62-01-200       | Sleeve Linkage                   | 1          |
| 6           | 364-62-01-201       | Sleeve                           | 1          |
| 7           | 364-62-02-202       | Adjustment Rod                   | 1          |
| 8           | 364-62-02-203       | Plug Plate                       | 1          |
| <hr/>       |                     |                                  |            |
| 9           | 364-62-02-204       | Plug Rubber                      | 1          |
| 10          | 364-62-00-205       | Short Linkage                    | 1          |
| 11          | 364-62-03-206       | LH Handle                        | 1          |
| 12          | 364-62-03-207       | RH Handle                        | 1          |
| <hr/>       |                     |                                  |            |
| 13          | 364-01-03-110       | Drain Pipe                       | 1          |
| 14          | R08176              | 1/4-20 UNC x 7/8 Short Thrd Bolt | 4          |
| 15          | R08048              | 1/4-20 Lock Nut                  | 4          |
| 16          | R07885              | 1/2-13 UNC Hex Nyloc Nut         | 1          |
| <hr/>       |                     |                                  |            |
| 17          | R08046              | 1/2-13 UNC Jam Nut               | 2          |

DRAIN PLUG KIT  
364-62-00-000

