

Office Copy  
Sept 5, 1997 - 13 made  
Oct 3 - 5 "  
Mar 9/99 - 5 "

Date Purchased \_\_\_\_\_ Machine Serial No. \_\_\_\_\_  
Size of Spreader \_\_\_\_\_ Options \_\_\_\_\_

PLEASE NOTE:

The key number system in this parts book is arranged as follows:

- -- Key number with one circle denotes main assemblies
- Key Numbers not circled are individual parts.

Please order parts by number

23000L MODEL "E"  
HUSKY LIQUID MANURE SPREADER

OPERATING INSTRUCTIONS:

1. Heed all warnings.
2. Minimum HP requirements to safely operate on level terrain. on hilly terrain HP should be increased.  
4500L ..... 70 HP  
7000L ..... 85 HP  
9000L ..... 95 HP  
12000L ..... 110 HP  
14000L ..... 130 HP  
15000L ..... 140 HP  
18000L ..... 160 HP  
23000L ..... 200 HP  
28000L ..... 250 HP
3. If machine is equipped with hydraulic brakes that are operated from the tractor hydraulics, they will not work should the tractor motor stop.  
Inspect brakes before each use. Brakes must be bled before initial use unless installed at factory.  
When releasing brakes the tractor hydraulic lever must be put in the opposing position to release pressure. Do not put in float position they will not release.
4. Tractor PTO spline must be approximately 14" (355 mm) from end of compressed PTO for proper adjustment.
5. Hitch tanker to tractor with minimum of 1" (25mm) hardened hitch pin with a safety lock. Use 10,000 Lbs safety chain from spreader to tractor.
6. Do not use tongue jack stand to support loaded spreader. Put jack in storage position before using.
7. When hooking PTO to tractor make sure motor is stopped. Make sure QD (Quick Disconnect) safety locking pin is in locked position before using.
8. Clean off hose ends before plugging into tractor hydraulics. If spreader is equipped with hydraulic drive on spreading attachment, make sure tractor has sufficient oil flow and pressure to maintain satisfactory spread pattern, if not use another tractor.



OPERATING INSTRUCTIONS continued:

9. After using spreader in freezing conditions make sure impeller housing is drained.
10. Wash tank inside and out each time work is finished. This will increase life of tank by many years. See item 6 of Safety instructions.
11. Do not drive on public roads after dusk unless equipped with lights required by Department of Transportation in your area.
12. Remove wheels annually and grease wheel bearings.
13. Because manure smells, many farmers have made unfriendly neighbours. If in a residential area a manure injector is a recommended option to bury the smell.
14. Much of the fertilizer value of manure is lost when exposed to air. Getting the manure covered quickly is a very important part of spreading manure.
15. If rustproof coating on interior shows signs of deterioration, have interior repainted. This can be done with a roller or brush. This helps to increase the life of your spreader. It is a valuable maintenance procedure.

SAFETY INSTRUCTIONS:

Do not operate this machine until you fully understand the safe operating practices.

1. Make sure all moving parts are shielded to prevent coming in contact with loose clothing.
2. Keep children clear, do not let children or anyone ride on the spreader at anytime.
3. Do not support loaded spreader on tongue jack.
4. Keep tire pressure to recommended pressure at all times. Recommended tire pressure being:

		Lbs	KPA
40 x 14	Airplane Tires	55	379
44 x 16	Airplane Tires	55	379
47 x 18 x 18	Airplane Tires	55	379
50 x 20 x 20	Airplane Tires	55	379
16.5L x 16.1	Implement Tires	35	241
21.5L x 16.1	Implement Tires	35	241
18.4L x 26	Turf Tires	26	180
28L x 26	Turf Tires	24	166
30.5L x 32	Turf Tires	24	166
35.5L x 32	Turf Tires	32	220
23.5L x 25	Loader Dozer Tires	55	379
18L x 22.5	Truck Tires	65	448

1 Lb = 6.8947 KPA

5. Keep wheel bolts torqued to recommended torque at all times.

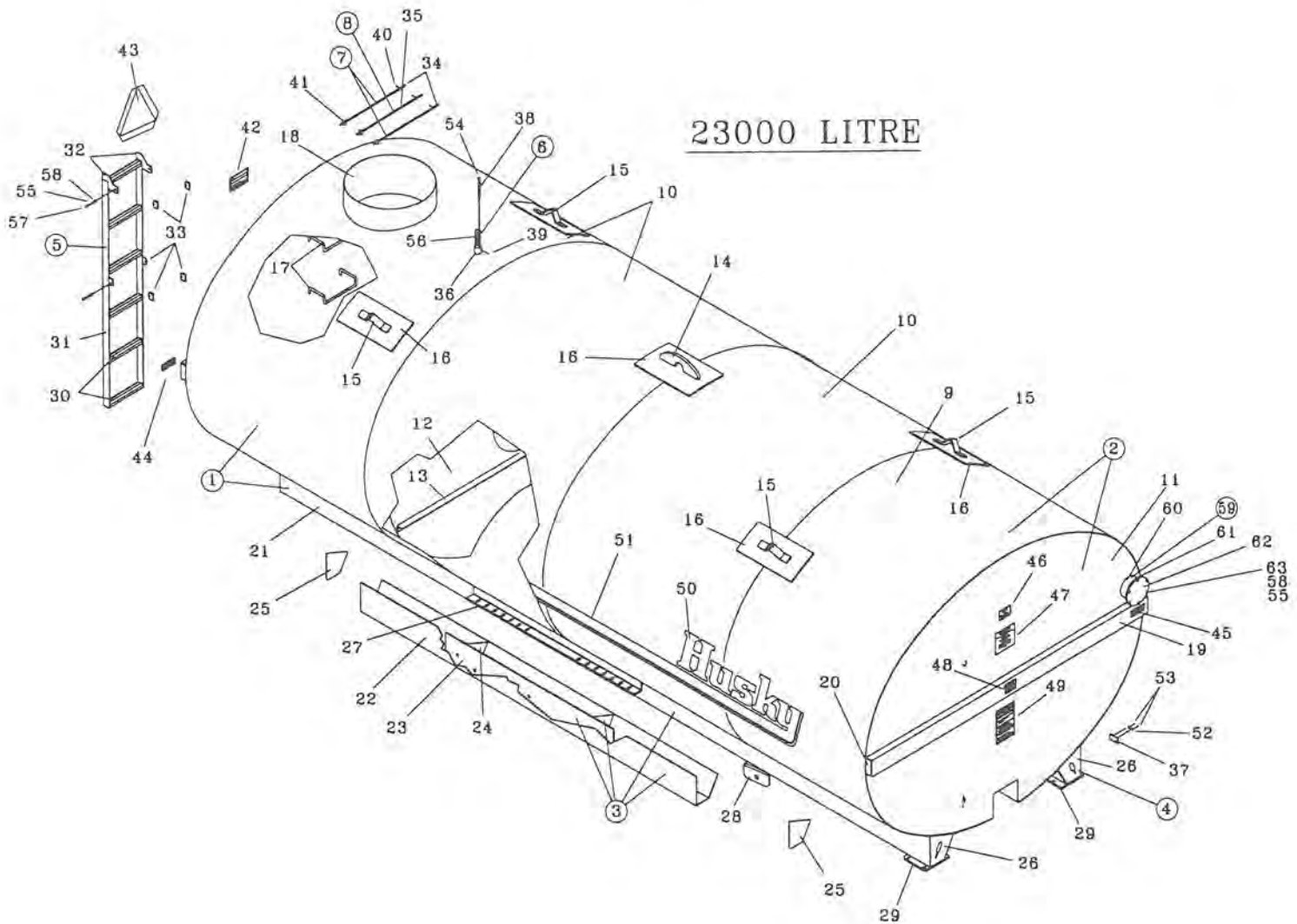
Wheel Bolt Size	Torque		Torque	
	Dry	Ft./Lbs. Oiled	Dry	Meter/Kg Oiled
9/16 - 18 NF	190	145	26.28	20.06
5/8 - 18 NF	270	205	37.34	28.35
3/4 - 16 NF	470	360	65.01	49.79

(Check Daily)

6. Never enter a tanker without special breathing equipment to supply oxygen. Manure gases can kill instantly. One breath of Hydrogen Sulphide can kill.
7. When looking up or repairing hydraulic hoses always wear safety glasses and relieve pressure to avoid getting oil in eyes.
8. Caution - disc brakes will not release unless valve lever is held momentarily in opposite position. This will relieve pressure in brake line. Do not put in float position, they will not release.

### 23000L TANK COMPLETE

<u>Keys</u>	<u>Parts Number</u>	<u>Description</u>	<u>Qty</u>
1	357-01-00-000	23000L Tank & Sill Assy.	1
2	357-01-01-000	23000L Tank Assy.	1
3	357-01-02-000	R.H. Sill Assy.	1
4	357-01-03-000	L.H. Sill Assy.	1
5	364-95-00-000	Ladder Assy.	1
6	340-62-00-000	Husky Flag Kit	1
7	364-47-00-000	Manhole Safety Bar Assy.	2
8	364-49-00-000	Long Manhole Safety Bar Assy.	1
9	357-01-01-120	Tank Shell	1
10	356-01-01-001	Tank Shell	3
11	340-01-01-300	Tank End	2
12	340-01-01-302	Baffle	2
13	340-01-01-557	Baffle Reinforcing Angle	4
14	340-01-00-555	Lift Hook	1
15	300-01-00-012	Lift Hook	4



**23000L FAN & HOUSING KIT**

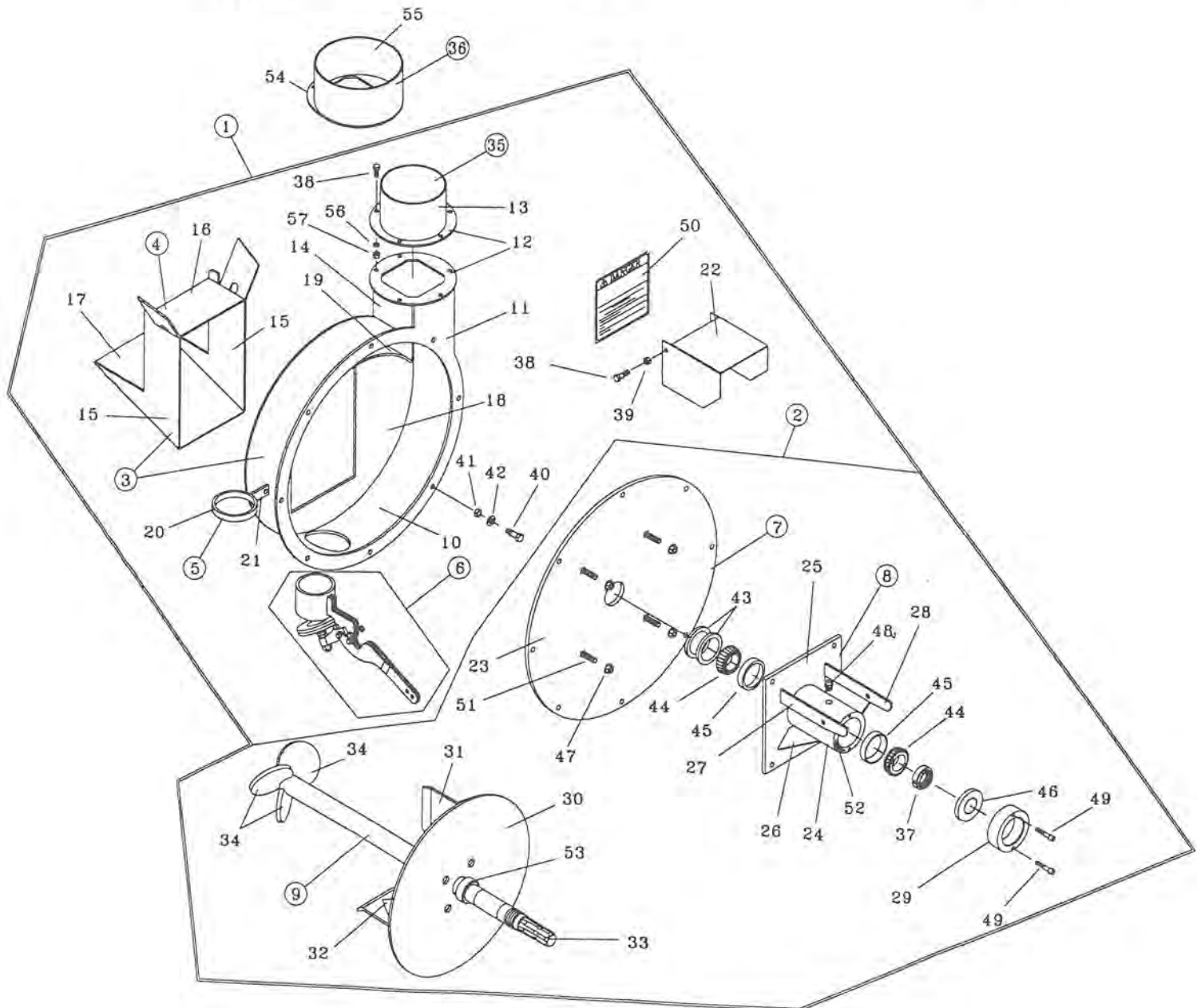
<u>Keys</u>	<u>Parts Number</u>	<u>Description</u>	<u>Qty</u>
1	364-23-00-000	Model E Fan & Housing Kit 540 RPM	*
	364-56-00-000	Model E Fan & Housing Kit 1000 RPM	1
2	364-65-00-000	540 Fan. Cover Plate. & Brg Kit	*
	364-66-00-000	1000 Fan. Cover Plate. & Brg Kit	1
3	364-01-03-000	Fan Housing Assembly	1
4	364-01-15-000	Housing Back Plate Assembly	1
5	364-41-00-000	PTO Holder Assembly	1
6	364-62-00-000	Drain Plug Kit	1
7	364-67-00-000	Cover Plate Assembly	1
8	364-61-00-000	Bearing Holder Assembly	1
9	364-72-00-000	Fan. Shaft & Agitator Assy - 540	*
	364-73-00-000	Fan. Shaft & Agitator Assy -1000	1
10	364-01-03-018	Housing Band	1
11	364-01-03-019	Housing Flange	1
12	364-03-01-376	Discharge Ring - 6"	2
13	364-01-03-063	Discharge Tube	1
14	364-01-03-081	Fan Housing Vertical Pc	1
15	364-01-03-103	Outlet Side Pc	2
16	364-01-03-104	Outlet Top Pc	1
17	364-01-03-105	Outlet Bottom Pc	1
18	364-01-03-106	Housing Back Plate	1
19	364-01-03-156	Housing Band Aid	1
20	364-41-00-132	Pto Holder	1
21	364-41-00-133	Pto Holder Brkt	1
22	364-00-00-029	Flip Guard	1
23	364-67-00-211	Cover Plate	1
24	364-61-00-191	Brg Tube	1
25	364-61-00-192	Seal Tube Back Plate	1
26	364-61-00-193	Seal Tube Gusset	2
27	364-61-00-197	RH Flip Guard Brkt	1
28	364-61-00-198	LH Flip Guard Brkt	1
29	364-00-00-332	Seal Tube Cap	1
30	364-63-00-209	Impeller Back Plate	1
31	364-63-00-208	540 RPM Fan Blade	*
	364-64-00-210	1000 RPM Fan Blade	4
32	364-03-00-024	Gusset	4
33	364-72-00-226	Fan Shaft	1
34	364-72-00-227	Agitator Blades	3
35	364-31-00-000	Hose Tube Assy - 6"	1
36	358-92-01-00	Hose Tube Assy - 8"	1
37	364-00-00-212	Stake Nut	1
38	R07619	3/8 x 1 Hex Bolt	7
39	R07886	3/8 Lock Nut	2
40	R07671	7/16 X 1 1/4 Hex Bolt	8
41	R07784	7/16 Hex Nut	8
42	R07804	7/16 Lock Washer	8
43	R21197	Seal - 2 1/2 X 3 X 1/4	2
44	R20115	Conc	2

23000L TANK COMPLETE CONTINUED

<u>Keys</u>	<u>Parts Number</u>	<u>Description</u>	<u>Qty</u>
16	340-01-00-546	Reinforcing Plate	5
17	364-02-00-008	Ladder Rung	4
18	364-02-00-006	Manhole	1
19	340-01-06-312	Tank End Stiffener	2
20	340-01-06-464	Stiffener Cap	4
21	357-01-02-121	Sill	2
22	357-01-02-122	Inner Sill	2
23	340-01-02-304	Sill Reinforcing	2
24	357-01-02-123	Middle Reinforcing Plate	4
25	340-01-02-305	End Sill Stiffeners	4
26	340-01-06-311	Sill Cap	4
27	364-02-00-280	Axle Adjustment Angle	2
28	315-31-00-115	Tongue "U" Piece	2
29	340-01-07-460	Tank Support Hold Down Brkt	2
30	364-95-00-324	Ladder Step	6
31	364-95-00-325	Ladder Side	2
32	364-95-00-326	Ladder Lug	2
33	364-95-00-327	Ladder - Tank Lug	6
34	364-47-00-155	Manhole Safety Bars	2
35	364-49-00-164	Long Manhole Safety Bar	1
36	340-00-00-536	Flag Spring Holder	1
37	340-01-00-498	Serial Number Plate	1
38	340-62-00-553	Indicator	1
39	R07926	5/16-18 X 1/4 Ss Set Screw	1
40	R08207	5/32 x 1 1/2 S.S. Cotter Pin	3
41	R07825	1/2" Flat Washer	3
42	R09784	"Danger Toxic Gas" Decal	1
43	R09501	Slow Moving Vehicle Sign	1
44	R10096	Red Reflector	2
45	R10097	Amber Reflector	1
46	R09509	"Made In Canada" Decal	1
47	R09730	"Tire Pressure" Decal	1
48	R09512	"Capacity" Decal	1
49	R09783	"Caution" Decal	1
50	R09510	"Husky" Decal	2
51	R09511	Accent Stripe	4
52	R09071	Serial Number	1
53	R08152	#6 x 1/4 Pan Head Screw	2
54	R08163	Clip	2
55	R07803	3/8 Lock Washer	4
56	R08037	Spring	1
57	R07620	3/8 x 1 1/2 Hex Bolt	4
58	R07783	3/8 Hex Nut	4
59	330-20-03-000	Access Tube Assy	1
60	330-20-03-556	Access Tube	1
61	330-20-03-560	Access Tube Flange	1
62	330-00-00-559	Access Tube Plate	1
63	R07619	3/8 x 1 Hex Bolt	6

FAN & HOUSING KIT CONTINUED

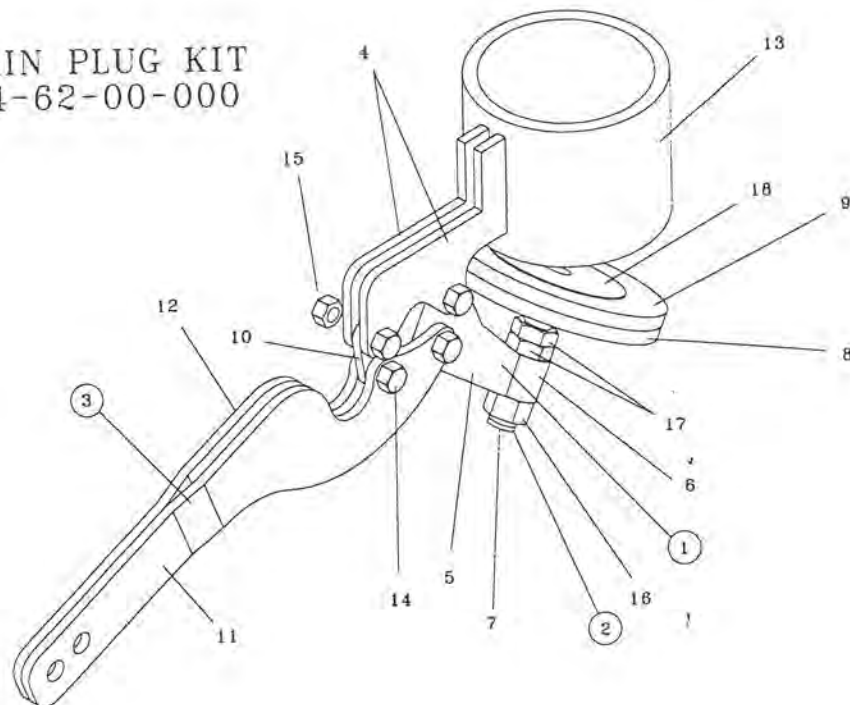
<u>Keys</u>	<u>Parts Number</u>	<u>Description</u>	<u>Qty</u>
45	R20113	Cup	2
46	R21196	Seal - 1.5 X 2.835 X .313	1
47	R07879	7/16 Flange Nut	4
48	R08188	1/4 " NPT Grease Fitting	1
49	R08175	5/16-18 UNC x 1 3/4 Cap Screw	2
50	R09785	"Danger" Decal	1
51	R07774	7/16 x 1 1/4 Carriage Bolt Gr. 5 Black	4
52	R04100	Silicone Sealant	1
53	R20238	Hardened Sleeve	1
54	358-92-01-301	Discharge Ring - 8"	1
55	358-92-01-302	Discharge Tube	1
56	R07803	3/8 Lock Washer	5
57	R07783	3/8 Hex Nut	5



## DRAIN PLUG KIT

<u>Keys</u>	<u>Parts Number</u>	<u>Description</u>	<u>Qty</u>
1	364-62-01-000	Drain Plug Sleeve Assy	1
2	364-62-04-000	Plug Assy	1
3	364-62-03-000	Handle Assy	1
4	364-62-00-199	Housing Brkt	2
5	364-62-01-200	Sleeve Linkage	1
6	364-62-01-201	Sleeve	1
7	364-62-02-202	Adjustment Rod	1
8	364-62-02-203	Plug Plate	1
9	364-62-02-204	Plug Rubber	1
10	364-62-00-205	Short Linkage	1
11	364-62-03-206	LH Handle	1
12	364-62-03-207	RH Handle	1
13	364-01-03-110	Drain Pipe	1
14	R08176	1/4-20 UNC x 7/8 Short Thrd Bolt	4
15	R08048	1/4-20 Lock Nut	4
16	R07885	1/2-13 UNC Hex Nyloc Nut	1
17	R08046	1/2-13 UNC Jam Nut	3
18	364-62-04-370	Plug Washer	1

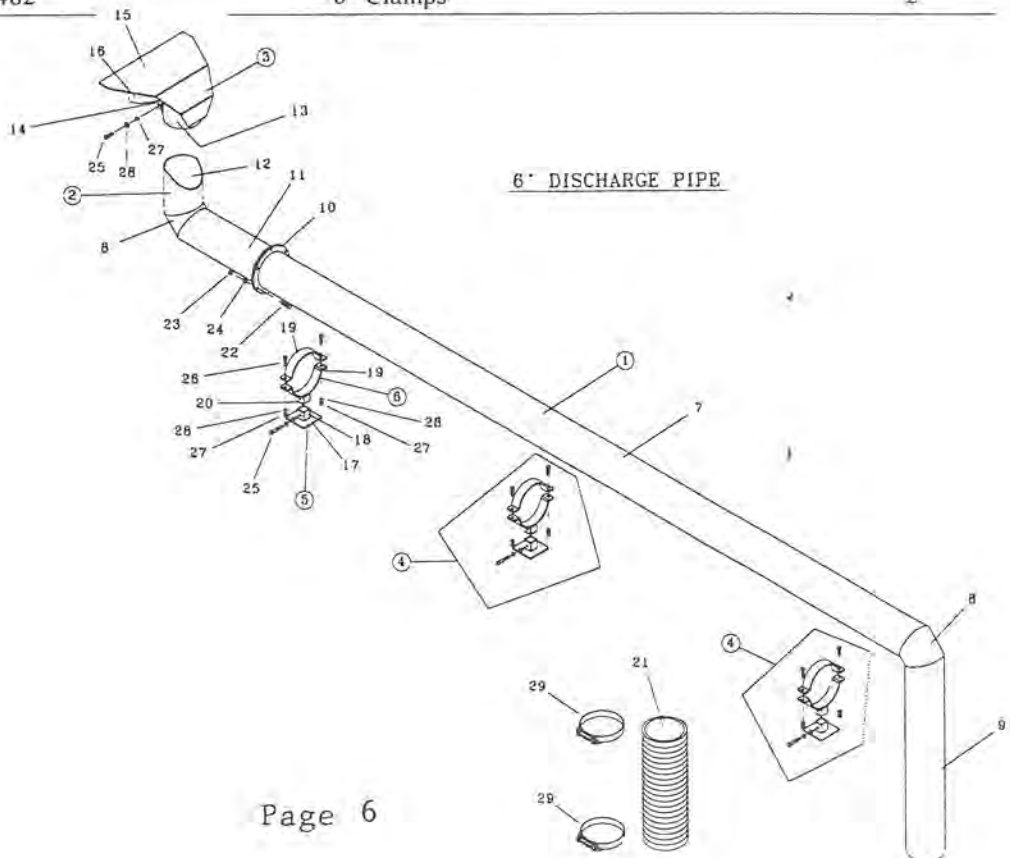
DRAIN PLUG KIT  
364-62-00-000



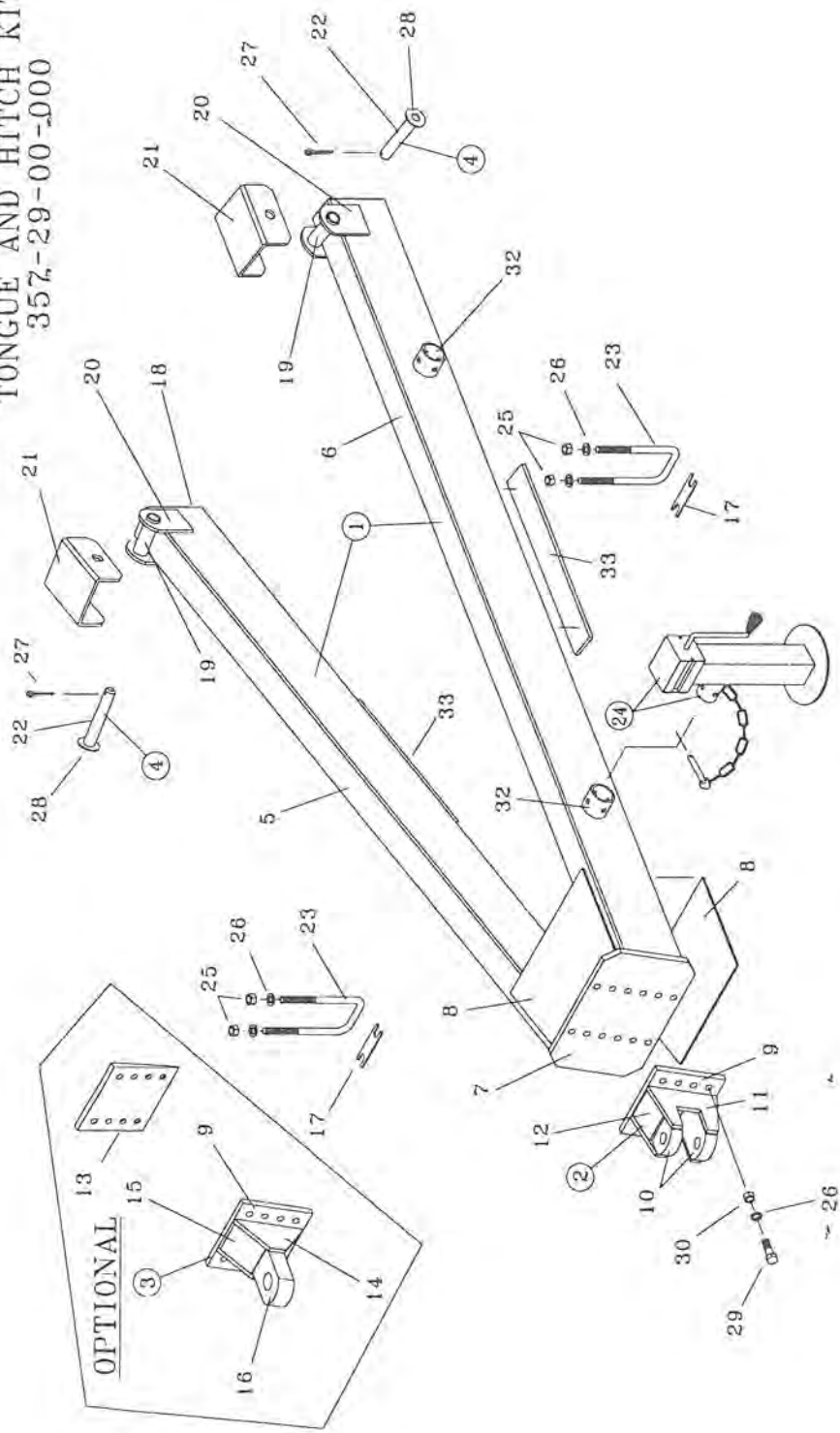


## DISCHARGE PIPE ASSEMBLY

<u>Keys</u>	<u>Parts Number</u>	<u>Description</u>	<u>Qty</u>
1	357-08-00-000	Discharge Pipe Assy - 23000L	1
2	364-25-00-000	Discharge Pipe End Section	1
3	364-68-00-000	Splash Plate Assy.	1
4	357-16-00-000	6" Discharge Pipe & Holder	3
5	357-16-01-000	Base Holder Assy.	3
6	357-16-02-000	Pipe Holder Assy	3
7	357-08-00-124	23000L Discharge Pipe - 6"	1
8	364-19-00-082	Discharge Pipe Corner Piece	2
9	358-32-00-109	Vertical Discharge Pipe	1
10	364-19-00-087	Flange	2
11	364-25-00-088	Discharge Pipe Flange Piece	1
12	364-25-00-067	Discharge Pipe End Piece	1
13	364-68-00-215	Clamping Tube	1
14	364-21-00-071	Clamping Tube Bracket	2
15	364-21-00-069	Splash Plate	1
16	364-21-00-224	Splash Plate Wing	2
17	357-16-01-130	Base Plate	3
18	357-16-01-131	Stub	3
19	357-16-00-133	Pipe Holder - 6"	6
20	357-16-02-137	Upper Stub	3
21	364-00-00-066	Flex Hose	1
22	R07671	7/16 x 1 1/4 Hex Bolt	6
23	R07784	7/16 Hex Nut	6
24	R07804	7/16 Lock Washer	6
25	R07622	3/8 x 2 1/2 Hex Bolt	5
26	R07620	3/8 x 1 1/2 Hex Bolt	6
27	R07783	3/8 Hex Nuts	11
28	R07803	3/8" Lock Washer	11
29	R02482	6" Clamps	2



TONGUE AND HITCH KIT  
357-29-00-000



**TONGUE AND HITCH**

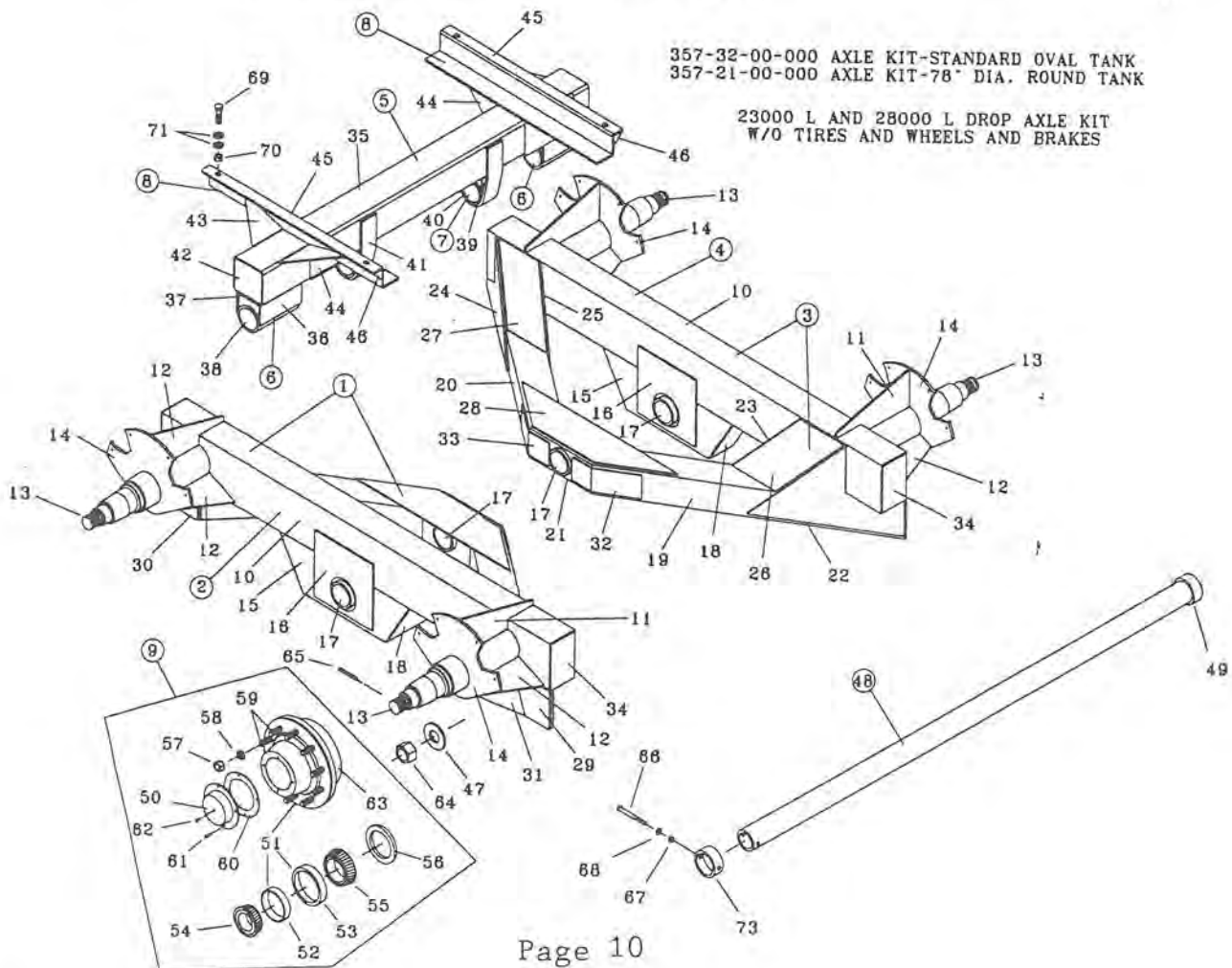
<u>Keys</u>	<u>Parts Number</u>	<u>Description</u>	<u>Qty</u>
1	357-27-00-000	Tongue Assembly	1
2	358-43-00-000	Standard Hitch Assembly	1
3	358-44-00-000	Single Point Hitch Assembly	*
4	315-39-00-000	Lock Pin Assembly	2
5	357-27-00-165	RH Tongue Tube	1
6	357-27-00-164	LH Tongue Tube	1
7	358-42-00-137	Hitch Bolt Plate	1
8	357-27-00-166	Tongue Tube Gusset	2
9	358-43-00-139	Hitch Back Plate	1
10	358-43-00-140	Hitch Plate	2
11	358-43-00-141	Hitch Side Gusset	2
12	358-43-00-142	Hitch Upper Gusset	2
13	358-00-00-143	Wedge Plate (Used w/Straight Axle)	*
14	358-44-00-144	Side Gusset	2
15	358-44-00-145	Top Gusset	2
16	364-26-00-091	Single Point Hitch	1
17	364-00-00-131	"U" Bolt Spacer	2
18	315-36-00-147	Tongue Tube End Cap	2
19	315-36-00-145	Bushings	2
20	315-36-00-146	Side Piece	4
21	315-31-00-115	Tongue "U" Piece	2
22	315-39-00-155	Lock Pin	2
23	R08172	3/4 NF x 10" "U" Bolt	2
24	357-14-00-000	8000Lb Side Wind Jack	1
25	R07820	3/4" NF Hex Nut	4
26	R07807	3/4" Lock Washer	12
27	R08016	1/4 x 2 Cotter Pin	2
28	R07830	1 1/4" Flat Washer	2
29	R07655	3/4 x 2 1/2 Hex Bolt	8
30	R07787	3/4" UNC Hex Nut	8
31	357-00-00-129	Reinforcing Plate - 23000L and Larger	2
32	358-42-00-260	Tongue Jack Storage Bracket	1

**23000L DROP AXLE KIT**

<u>Keys</u>	<u>Parts Number</u>	<u>Description</u>	<u>Qty</u>
1	357-22-00-000	RH Tandem Side	1
2	357-22-01-000	RH Walking Beam Assy	1
3	357-23-00-000	LH Tandem Side Assy	1
4	357-23-01-000	Lh Walking Beam Assy	1
5	358-09-00-000	Base Frame Assy - Std Oval Tank	1
	358-03-00-000	Base Frame Assy - 78" Rd Tank	*
6	358-03-01-000	Outer Sleeve Assy	2
7	358-03-02-000	Inner Sleeve Assy	2
8	330-69-01-000	Sill "Z" Plate Assy	2
9	357-06-00-000	25000lb Hub - 10 Bolt Complete	4
10	357-22-01-142	Walking Beam	2
11	357-03-01-104	Upper Spindle Gusset	4
12	357-03-01-105	Side Spindle Gusset	8
13	357-03-01-114	25000lb Spindle	4
14	357-03-01-103	Brake Caliper Mount Plate	4
15	358-83-01-229	Drop Tube	2
16	358-83-01-234	Drop Tube Reinforcing Plate	4
17	358-83-01-235	Walker Sleeve	4
18	358-83-01-233	Drop Tube End Cap	4
19	358-01-00-339	Front Tandem Arm	2
20	358-01-00-340	Rear Tandem Arm	2
21	358-01-00-345	Middle Connector Tube	2
22	358-01-00-341	Front Outer Gusset	2
23	358-01-00-342	Front Innter Gusset	2
24	358-01-00-343	Rear Outer Gusset	2
25	358-01-00-344	Rear Inner Gusset	2
26	358-01-00-351	Front Gusset Cap	2
27	358-01-00-352	Rear Gusset Cap	2
28	358-01-00-346	Gusset	4
29	358-01-00-349	Front Arm End Cap	2
30	358-01-00-350	Rear Arm End Cap	2
31	357-03-00-113	Large Spindle Gusset	4
32	358-01-00-347	Front Tie Plate	2
33	358-01-00-348	Rear Tie Plate	2
34	358-83-01-236	End Cap	4
35	358-85-00-250	Cross Axle Support - Std Axle	1
	358-03-00-354	Cross Axle Support - 78" Dia Rd Tanke	*
36	358-03-01-356	Outer Sleeve Holder	2
37	358-03-01-357	Sleeve Holder Reinforcing Plate	10
38	340-07-08-322	Stationary Sleeve	2
39	358-03-02-358	Inner Sleeve Holder	2
40	340-07-09-325	Centre Sleeve	2
41	358-03-00-375	Base Frame Band	2
42	340-07-00-329	Tube End Cap	2
43	340-11-00-354	Gusset	4
44	340-07-00-330	Double Gusset	4
45	358-85-00-253	Sill "Z" Plate	2
46	330-69-00-550	Gusset	4
47	357-00-00-128	Spindle Washer	4
48	357-34-00-000	Axle Tube Assy - Std Oval Tank	1
	357-35-00-000	Axle Tube Assy - 78" Rd Tank	*
49	340-63-00-538	Stop Ring	1

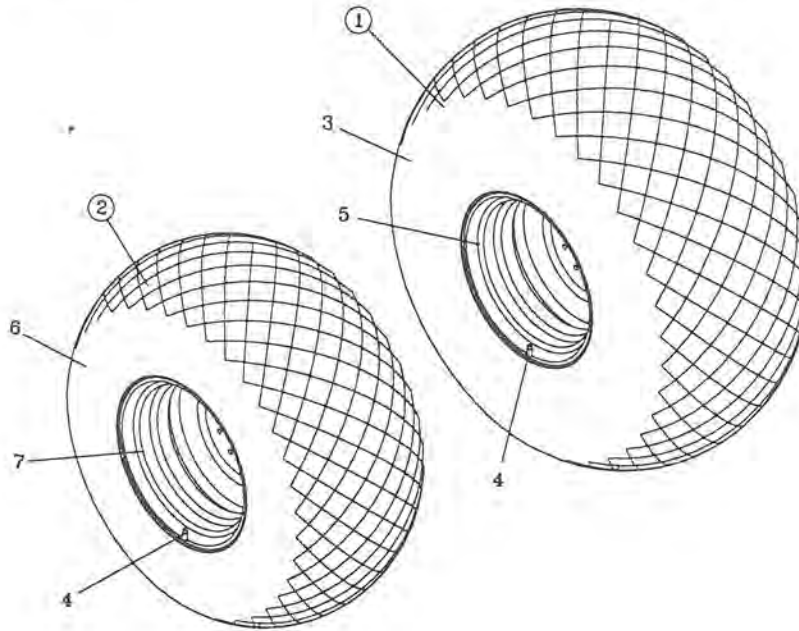
## 23000L DROP AXLE KIT CONTINUED

<u>Keys</u>	<u>Parts Number</u>	<u>Description</u>	<u>Qty</u>
50	357-06-00-136	Dust Cap d-25000	4
51	R22035	25000lb Hub w/Cups	4
52	R22037	Outer Cup 652	4
53	R22038	Inner Cup 71750	4
54	R22039	Outer Cone 663	4
55	R22040	Inner Cone 71455	4
56	R22045	Hub Seal 456192	4
57	R07820	Wheel Nuts 3/4 - 16 High Nut	40
58	R20152	3/4" Spherical Washer	40
59	R20096	Wheel Bolts 3/4 - 16 x 3 1/2	40
60	R22042	Dust Cap Gasket	4
61	R07694	Dust Cap Bolts 5/16 - 18 X 1/2	16
62	R08183	1/4 - 28 UNF Grease Fitting	4
63	R20036	25000 LB Hub - Machined less Bearings	4
64	R22047	Spindle Nut 2 1/2 - 12N	4
65	R07987	Roll Pin 3/8 X 3 1/2	4
66	R07660	3/4 x 6 Hex Bolt	1
67	R07787	3/4 Hex Nut	1
68	R07807	3/4" Lock Washer	1
69	R07655	3/4 X 2 1/2 Hex Bolt	4
70	R07878	3/4" Nyloc Hex Nut	4
71	R07827	3/4" Flat Washer	8
72	357-34-00-184	Main Axle Tube - Std Oval	1
	357-35-00-185	Main Axle Tube - 78" Rd	*
73	357-00-00-118	Retaining Ring	1



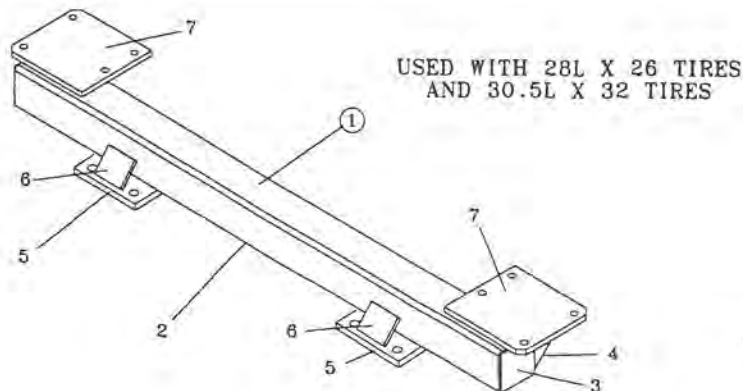
## 23000L TIRES & WHEELS

<u>Keys</u>	<u>Parts Number</u>	<u>Description</u>	<u>Qty</u>
1	357-07-00-000	30.5 L x 32 Tire & Wheel Assy.	4
2	357-11-00-000	28L x 26 Tire & Wheel Assy.	*
3	R22070	30.5 L 32 R3 12 Ply Tire	4
4	R20161	Valve Stem	1
5	R22071	27-32 x 10 Bolt wheel 13.19 B.C.	4
6	R20015	28L x 26 Turf Tire	*
7	R22076	25 x 26 x 10 Bolt Wheel 13.19 B.C.	*



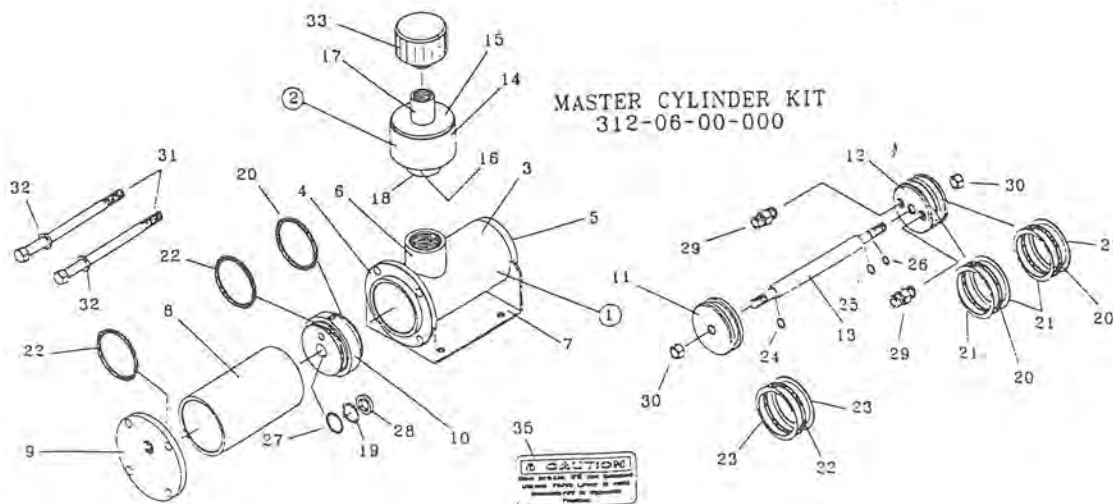
## 23000L CROSS SUPPORT

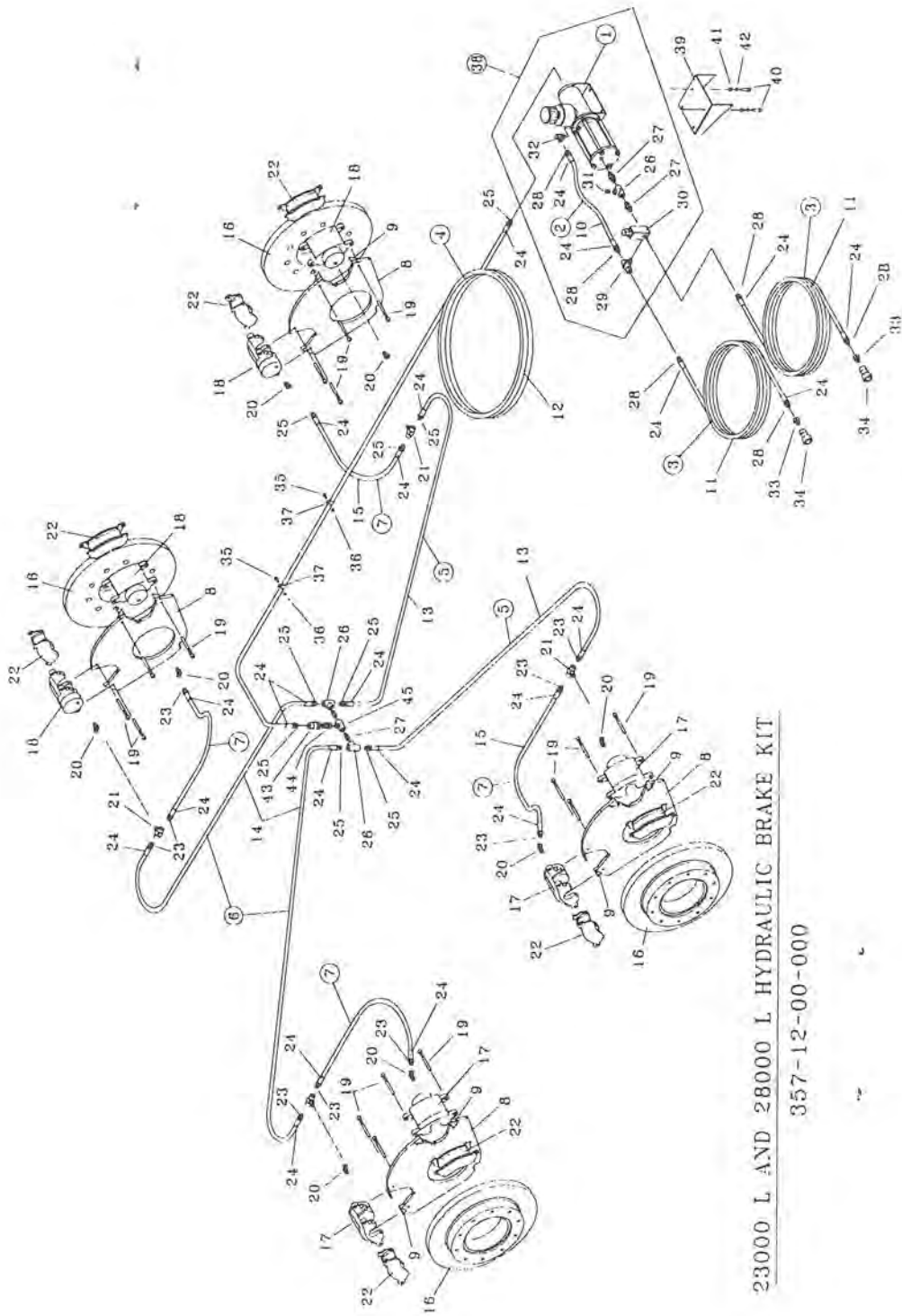
<u>Keys</u>	<u>Parts Number</u>	<u>Description</u>	<u>Qty</u>
1	357-28-00-000	Cross Member Assy. - 28L x 26 Tires	1
2	357-28-00-167	Cross Member	1
3	357-28-00-170	End Cap	2
4	357-28-00-169	Gusset	2
5	357-28-00-168	Tongue Strap	2
6	364-02-17-123	Tongue Strap Gusset	2
7	340-01-07-460	Tank Support Hold Down Brackets	2



# MASTER CYLINDER

<u>Keys</u>	<u>Parts Number</u>	<u>Description</u>	<u>Qty</u>
1	312-06-02-000	Master Cylinder Tube Assembly	1
2	312-06-03-000	Reservoir Assy	1
3	312-06-02-030	Master Cylinder Tube	1
4	312-06-02-031	Master Cylinder Flange	1
5	312-06-02-032	Master Cylinder End Cap	1
6	312-06-02-033	Coupler	1
7	312-06-02-034	Mount Plate	1
8	312-06-00-035	Hydraulic Cylinder Tube	1
9	312-06-00-036	Hydraulic Cylinder End Cap	1
10	312-06-00-037	Cylinder Divider Block	1
11	312-06-00-038	Hydraulic Plunger	1
12	312-06-00-039	Master Cylinder Plunger	1
13	312-06-00-040	Shaft	1
14	312-06-03-041	Reservoir Tube	1
15	312-06-03-042	Reservoir Top Plate	1
16	312-06-03-043	Reservoir Bottom Plate	1
17	312-06-03-045	Reservoir Coupling	1
18	312-06-03-046	Reservoir Nipple	1
19	R20874	3/4" Back Up Teflon	1
20	R20868	EP ORing #334 ( 2 5/8 x 3 x 3/16)	3
21	R20873	Back Ups Teflon #334	4
22	R20836	O Ring #11-334 (2 5/8 x 3 x 3/16)	3
23	R20837	Back Ups #8-334	2
24	R20865	O Ring #11-014 (1/2 x 5/8 x 1/16)	1
25	R20870	EP Oring 014 (1/2 x 5/8 x 1/16)	1
26	R20869	EP Oring 012 (3/8 x 1/2 x 1/16)	1
27	R20871	EP Oring 210 (3/4 x 1 x 1/8)	1
28	R20872	3/4" Hytrel Rod Wiper 52-750	1
29	R21207	3/8 Check Valve	2
30	R07885	1/2"-13 UNC Lock Nut	2
31	R07679	1/2"-13 UNC x 8 Hex Bolt	4
32	R07805	1/2 Lock Washer	4
33	R21103	Filler Breather	1
34	312-07-00-000	O Ring Repair Kit	*
35	R09689	"Caution" Decal	1





23000 L AND 28000 L HYDRAULIC BRAKE KIT  
357-12-00-000



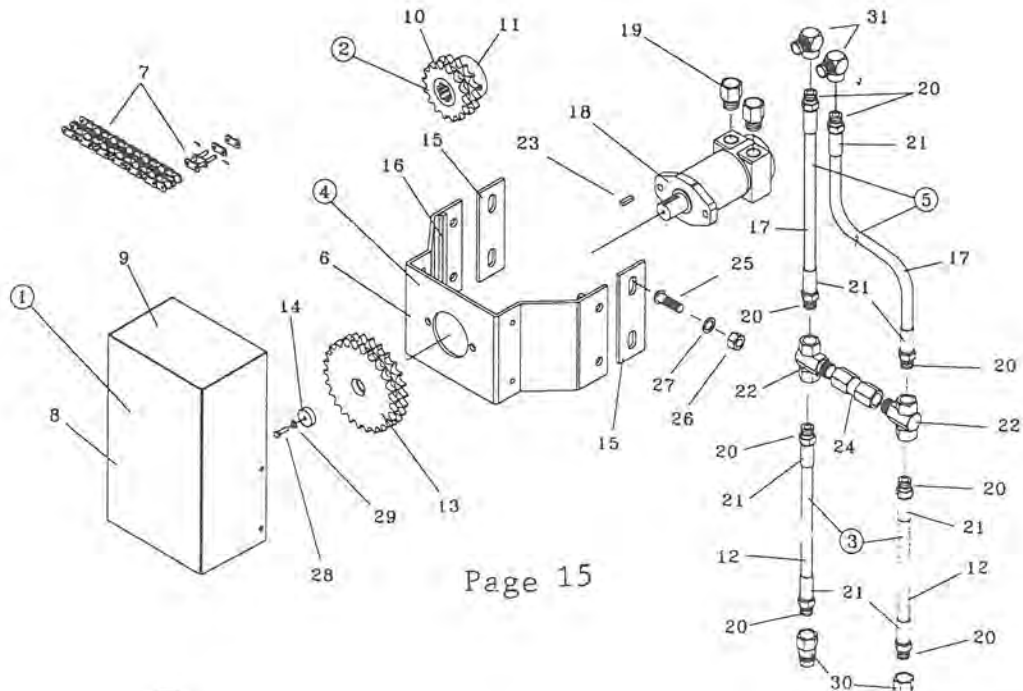
## 23000L BRAKE KIT

<u>Keys</u>	<u>Parts Number</u>	<u>Description</u>	<u>Qty</u>
1	312-06-00-000	Master Cylinder Kit	1
2	312-06-05-000	Hydraulic Hose Assy.	1
3	340-17-39-000	Hydraulic Hose Assy.	2
4	340-17-38-000	Hydraulic Brake Hose Main Line	1
5	340-17-15-000	Hydraulic Brake Hose Assy. - Front	2
6	340-17-16-000	Hydraulic Brake Hose Assy. - Rear	2
7	357-13-00-000	Hydraulic Brake Hose Assy. - Secondary	4
8	357-03-01-103	Brake Caliper Mount Plate	4
9	340-08-10-334	Caliper Plate Support	16
10	312-06-05-048	Hydraulic Hose	1
11	340-17-39-545	Hydraulic Hose	2
12	340-17-38-544	Hydraulic Hose - Main Line	1
13	340-17-15-390	Hydraulic Hose - Front	2
14	340-17-16-391	Hydraulic Hose - Rear	2
15	357-13-00-127	Hydraulic Hose - Secondary	4
16	R22048	Cast Brake Disc	4
17	R21065	R.H. Brake Caliper TC500	4
18	R21066	L.H. Brake Caliper TC501	4
19	R21070	Guide Pins	16
20	R21308	45 Deg. 7/16 Sae X 1/4 Npt Adapter	8
21	R21407	1/4" Hydraulic Tee FxFxM	4
22	R21067	Brake Pads (Pair)	8
23	R20807	1/4-18 NPT Solid Male Stem	12
24	R21231	Steel Ferrule (1/4" Hose)	24
25	R20806	3/8-18 NPT Swivel Male Stem	6
26	R21400	3/8 Hydraulic Tee	4
27	R21399	3/8 Hydraulic Nipple	4
28	R20803	3/8-18 Npt Solid Male Stem	6
29	R21391	3/8-18 NPT Swivel Tee Adapter	1
30	R21201	Relief Valve	1
31	R02151	3/8 Pipe Plug	1
32	R21334	1/4M X 3/8F X 90 Deg. Swivel Adapter	1
33	R02043	1/2 x 3/8" Bushing	2
34	R21342	Pioneer Coupler	2
35	R07698	1/4 x 1/2 Hex Bolt	14
36	R07781	1/4 Hex Nut	14
37	R21104	Hydraulic Hose Clips	14
38	312-09-00-000	Master Cylinder w/ Relief & Hose	1
39	312-06-00-047	Tongue Bracket	1
40	R07620	3/8-16 Unc X 1 1/2 Hex Bolt	4
41	R07788	3/8-16 UNC Hex Nut	4
42	R07803	3/8 Lock Washer	4
43	R21137	3/8 Female Pioneer End	1
44	R21139	3/8 Male Pioneer End	1
45	R22111	3/8" Hyd Tee F x F x M	1

364-48-00-000 MODEL "E" HYDRAULIC DRIVE KIT

<u>Keys</u>	<u>Parts Number</u>	<u>Description</u>	<u>Qty</u>
1	364-48-22-000	Guard Assembly	1
2	364-48-23-000	Fan Shaft Sprocket Assy	1
3	364-48-24-000	Hydraulic Hose Assy - To Tractor	2
4	364-48-31-000	Motor Mount Assembly	1
5	364-48-32-000	Hydraulic Hose Assy - Motor To Chk Valve	2
6	364-48-31-157	Hydraulic Motor Mount	1
7	364-48-00-158	#60 Double Roller Chain w/ Conn	1
8	364-48-22-159	Guard Body	1
9	364-48-22-160	Guard Cap	1
10	364-48-23-161	Fan Shaft Sprocket #D60B16	1
11	364-48-23-162	Spline Adaptor	1
12	364-48-24-163	3/4" Hydraulic Hose	2
13	364-48-00-166	Motor Sprocket #D60B26	1
14	364-48-00-167	Plug	1
15	364-48-00-185	Motor Mount Bracket	2
16	364-48-31-186	Guide Bar	2
17	364-48-32-187	3/4" Hydraulic Hose	2
18	R21346	110 Series Nichols - Gray Hyd Motor	1
19	R20815	7/8-14 M x 3/4 Adaptor	2
20	R21241	3/4" Male Solid Stem	8
21	R20824	3/4" Ferrule	8
22	R21393	3/4" NPT Hyd Swivel Tee	2
23	R11114	Key	1
24	R21202	3/4" NPT In Line Check Valve	1
25	R07753	5/8 x 1 1/2 Carriage Bolt	4
26	R07786	5/8 Hex Nut	4
27	R07806	5/8 Lock Washer	4
28	R07603	1/4 x 1 1/2 Hex Bolt	1
29	R07801	1/4" Lock Washer	1
30	R21338	3/4" Pioneer Tip	2
31	R21368	3/4" Hydraulic Street Elbow	2

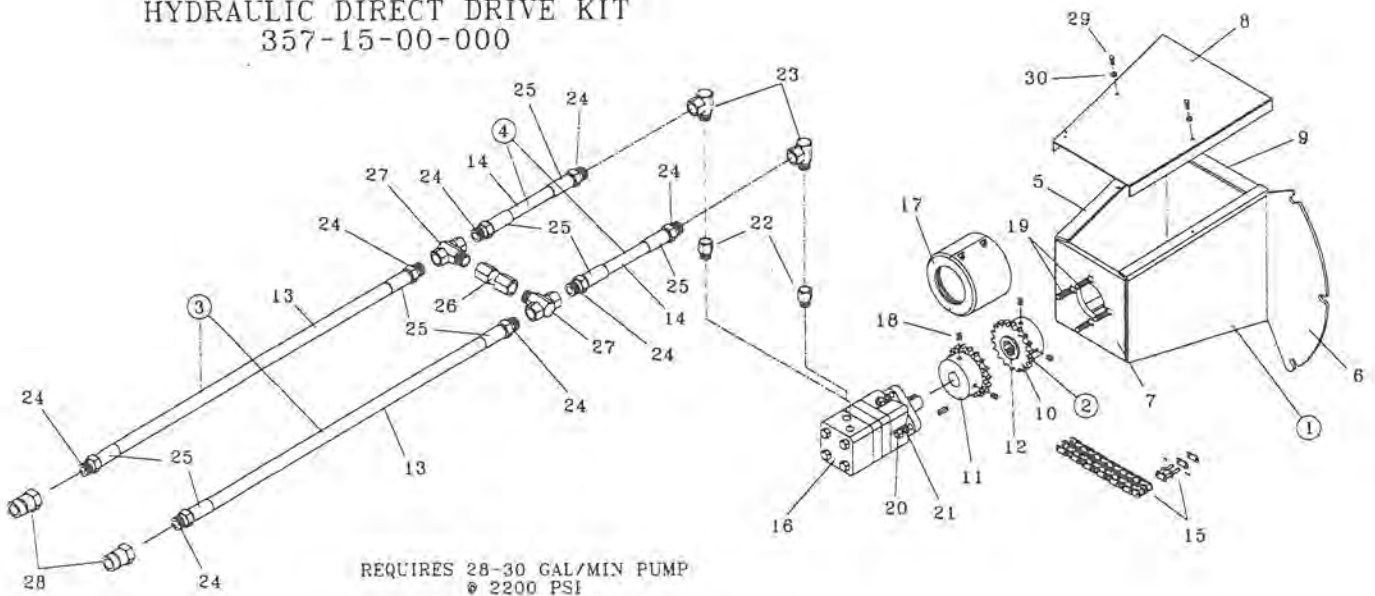
MODEL "E" HYDRAULIC  
DRIVE KIT  
364-48-00-000



DIRECT HYDRAULIC DRIVE KIT 357-15-00-000

<u>Keys</u>	<u>Parts Number</u>	<u>Description</u>	<u>Qty</u>
1	384-02-01-000	Direct Drive Mount Plate Assembly	1
2	384-02-02-000	#60-18 Sprocket w/6 T Spline Assembly	1
3	364-48-24-000	Hydraulic Hose Assembly	2
4	364-48-32-000	Hydraulic Hose Assembly	2
5	384-02-01-002	RH Extension Plate	1
6	384-02-01-003	LH Extension Plate	1
7	384-02-01-004	Motor Mount Plate	1
8	384-02-00-005	Guard	1
9	384-02-01-012	Reinforcing Strap	2
10	384-02-02-006	60-18 Sprocket For 6 T. Spline	1
11	384-02-00-007	60-18 Sprocket for Hyd. Motor	1
12	364-48-23-162	Spline Adaptor	1
13	364-48-24-163	3/4" Hydraulic Hose	2
14	364-48-32-187	3/4" Hydraulic Hose	2
15	R20883	#60 Coupling Chain w/Conn. Link	1
16	R21422	MS160 Hydraulic Motor w/Key	1
17	R20617	#60-18 Coupling Cover	1
18	R07911	3/8 x 3/4 Set Screw	4
19	R07744	1/2 x 2 Carriage Bolt	4
20	R07785	1/2" Hex Nut	4
21	R07805	1/2" Lock Washer	4
22	R20815	7/8 SAE 3/4" NPT Straight Swivel	2
23	R21332	3/4" NPT 90 Deg. Swivel Adaptor	2
24	R21241	3/4" Male Stem	8
25	R20824	3/4" Ferrule	8
26	R21202	3/4" NPT In Line Check Valve	1
27	R21393	3/4" NPT Hydraulic Swivel Tee	2
28	R21338	3/4" Pioneer Fitting	2
29	R07698	1/4" x 1/2" Hex Bolt	2
30	R07801	1/4" Lock Washer	2

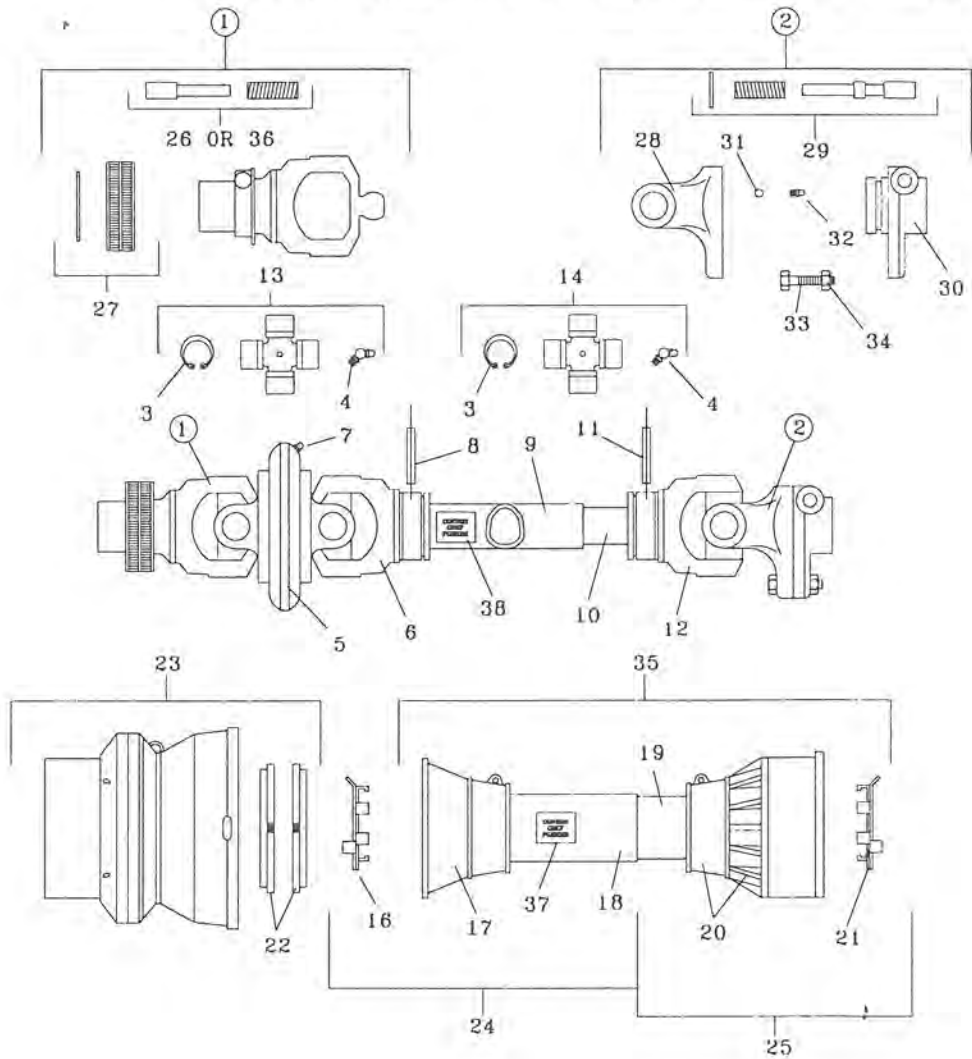
HYDRAULIC DIRECT DRIVE KIT  
357-15-00-000



BONDIOLI AND PAVESI PTO

C/W 80° CV JOINT

R21592-540 RPM	1	3/8"	6 TOOTH SPLINE
R21593-1000 RPM	1	3/8"	21 TOOTH SPLINE
R21585-1000 RPM	1	3/4"	20 TOOTH SPLINE



## 80 DEG. BONDIOLI AND PAVESI CV PTO - R21592 540 RPM 6 TOOTH

- R21593 1000 RPM 21 TOOTH

- R21585 1000 RPM 20 TOOTH

<u>Keys</u>	<u>Mfg #</u>	<u>Part #</u>	<u>Description</u>	<u>Qty</u>
1		R21712	1 3/4" - 20 T Yoke	1
	573040375	R21681	Yoke w/ Bridge 540 RPM	1
	573043775	R21680	Yoke w/ Bridge 1000 RPM	
2	606404001	R21473	Torque Lim Sb 4/4	1 *
3	338009000	R21613	Circlip	8
4	348004000	R21655	Grease Nipple	3
5	511040051	R21685	Central Body	1
6	215046854	R21686	Yoke	1
7	348017000	R21687	Grease Nipple	1
8	341038000	R21475	Flexible Pin	1 *
9	225310630	R21689	Cardan Tube	1
10	245100630	R21690	Cardan Tube Cm	1
11	341048000	R21476	Flexible Pin	1 *
12	204046852	R21472	Inner Tube Yoke	1 *
13	412040012	R21682	Cross Journal Assy	2
14	41204	R21693	Cross Journal Assy	1
15	338017000	R21694	Circlip	4
16	255040005	R21696	O. Bearing 3-4	1 *
17	254040024	R21697	O. Basic Cones N3-4	1
18	236680577	R21698	Cm Safety Tube	1
19	236670577	R21699	CM Safety Tube	1
20	517040061	R21700	I. Cone Set N3-4	1
21	255040006	R21701	I. Bearing 3-4	1 *
22	255040351	R21702	Ring Nut Dowels	1
23	517048001	R21703	Complete Shell	1
24	5NE4078W1654	R21709	Half Safety Guard	1
25	5NI40788NN	R21710	Half Safety Guard	1
26	403000001	R21669	Complete Push Button	1 ~
27	240080061	R21670	Hub	1 ~
28	213040020	R21704	Shear Yoke	1
29	401000001	R21451	Complete Push Button	1~ *
30	513070324	R21706	Hub C/W Quick Disconnect	1
31	362002000	R21705	1/4" Ball	23
32	348012000	R21672	Grease Nipple	1
33	432000047	R08251	M8 1.25 x 45 Bolt	1
34		R08252	M8 1.25 X Lock Nut	1
35	5N04078W1654	R21711	Safety Guard	1
36	403000011	R21735	Push Pin for 1 3/4 - 20 T Turnlock	
37		R21521	"Warning" Decal	1
38		R21523	"Shield Missing" Decal	1

\* Same as 70 Deg. CV. PTO ~ Same as K31

## SIGHT GAUGE KIT

<u>Keys</u>	<u>Parts Number</u>	<u>Description</u>	<u>Qty</u>
1	330-20-01-000	Float Arm Assy	1
2	330-20-02-000	Indicator Arm Assy	1
3	330-20-03-000	Access Tube Assy.	1
4	330-20-04-000	Cover Plate Assy	1
5	330-20-01-551	Float Arm	1
6	330-93-30-378	Float Straps	2
7	330-93-00-375	Float	1
8	330-20-04-562	Bronze Bearing Holder	1
9	330-20-02-553	Indicator Arm Hub	1
10	330-20-02-554	Indicator Arm	1
11	330-20-03-556	Access Tube	1
12	330-20-03-560	Access Tube Flange	1
13	330-20-00-557	Cover Plate	1
14	R20865	1/2 x 5/8 x 1/16" O Ring	1
15	R09529	"Full" Decal	1
16	R09530	"Empty" Decal	1
17	R07974	External Retaining Ring	2
18	R21173	1/2 x 5/8 x 1/2" Bronze Bushing	3
19	R08241	3/16 x 1 Stainless Steel Roll Pin	1
20	R07675	3/8 X 1 1/4" Hex Bolt	6
21	R07783	3/8" Hex Nut	6
22	R07803	3/8" Lock Washer	6
23	R08207	5/32 X 1 1/2" Stainless Steel Cotter Pin	1

