

Date Purchased _____ Machine Serial No. _____

Size of Spreader _____ Options _____

PLEASE NOTE:

The key number system in this parts book is arranged as follows:

- ⊙ -- Key numbers with two circles denotes main assemblies.
- -- Key numbers with one circle are individual parts.

Please order parts by number

23000 LITRE MODEL "E"
HUSKY LIQUID MANURE SPREADER
357-00-00-000

OPERATING INSTRUCTIONS:

1. Heed all warnings.
2. Minimum HP requirements to safely operate on level terrain, on hilly terrain HP should be increased.

4500L	70 HP
7000L	85 HP
9000L	95 HP
12000L	110 HP
14000L	130 HP
15000L	140 HP
18000L	160 HP
23000L	200 HP
28000L	250 HP
3. If machine is equipped with hydraulic brakes that are operated from the tractor hydraulics, they will not work should the tractor motor stop.
Inspect brakes before each use. Brakes must be bled before initial use unless installed at factory.
When releasing brakes the tractor hydraulic lever must be put in the opposing position to release pressure. Do not put in float position they will not release.
4. Tractor PTO spline must be approximately 14" (355 mm) from end of compressed PTO for proper adjustment.
5. Hitch tanker to tractor with minimum of 1" (25mm) hardened hitch pin with a safety lock. Use 10,000 Lbs safety chain from spreader to tractor.
6. Do not use tongue jack stand to support loaded spreader. Put jack in storage position before using.
7. When hooking PTO to tractor make sure motor is stopped. Make sure QD (Quick Disconnect) safety locking pin is in locked position before using.
8. Clean off hose ends before plugging into tractor hydraulics. If spreader is equipped with hydraulic drive on spreading attachment, make sure tractor has sufficient oil flow and pressure to maintain satisfactory spread pattern, if not use another tractor.

OPERATING INSTRUCTIONS continued:

9. After using spreader in freezing conditions make sure impeller housing is drained.
10. Wash tank inside and out each time work is finished. This will increase life of tank by many years. See item 6 of Safety instructions.
11. Do not drive on public roads after dusk unless equipped with lights required by Department of Transportation in your area.
12. Remove wheels annually and grease wheel bearings.
13. Because manure smells, many farmers have made unfriendly neighbours. If in a residential area a manure injector is a recommended option to bury the smell.
14. Much of the fertilizer value of manure is lost when exposed to air. Getting the manure covered quickly is a very important part of spreading manure.
15. If rustproof coating on interior shows signs of deterioration, have interior repainted. This can be done with a roller or brush. This helps to increase the life of your spreader. It is a valuable maintenance procedure.

SAFETY INSTRUCTIONS:

Do not operate this machine until you fully understand the safe operating practices.

1. Make sure all moving parts are shielded to prevent coming in contact with loose clothing.
2. Keep children clear, do not let children or anyone ride on the spreader at anytime.
3. Do not support loaded spreader on tongue jack.
4. Keep tire pressure to recommended pressure at all times. Recommended tire pressure being:

		Lbs	KPA
40 x 14	Airplane Tires	55	379
44 x 16	Airplane Tires	55	379
47 x 18 x 18	Airplane Tires	55	379
50 x 20 x 20	Airplane Tires	55	379
16.5L x 16.1	Implement Tires	35	241
21.5L x 16.1	Implement Tires	35	241
18.4L x 26	Turf Tires	30	207
23.1L x 26	Turf Tires	24	166
28L x 26	Turf Tires	24	166
30.5L x 32	Turf Tires	24	166
35.5L x 32	20 ply Turf Tires	32	220
18L x 22.5	Truck Tires	65	448
23.5L x 25	Loader Dozer Tires	55	379

1 Lb = 6.8947 KPA

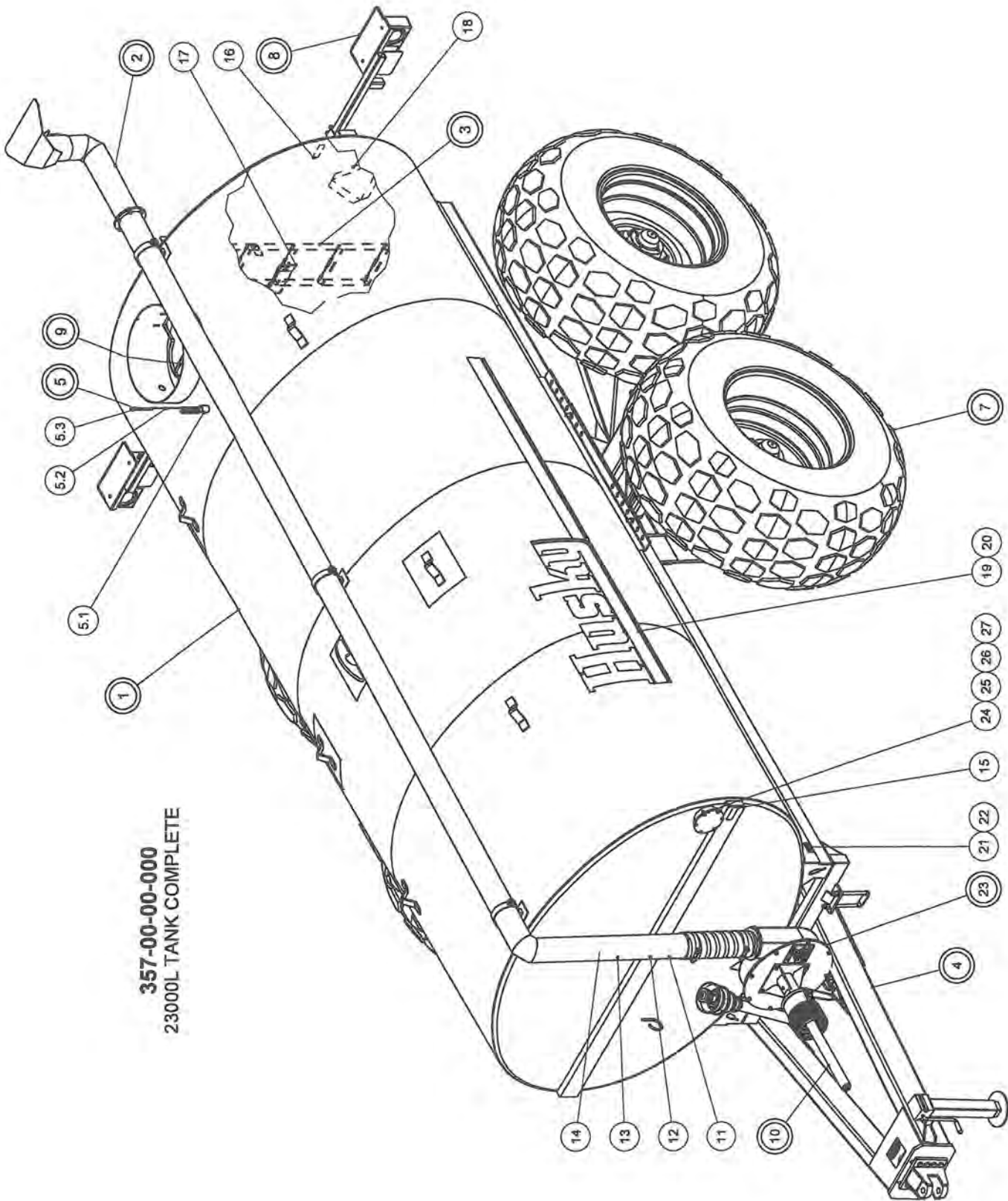
5. Keep wheel bolts torqued to recommended torque at all times.

Wheel Bolt Size	Torque <u>Dry</u>	Ft./Lbs. <u>Oiled</u>	Torque <u>Dry</u>	Meter/Kg <u>Oiled</u>
9/16 - 18 NF GR. 5	120	90	16.59	12.44
5/8 - 18 NF GR. 8	240	180	33.18	24.89
3/4 - 16 NF GR. 8	420	310	58.07	42.86

(Check Daily)

6. Never enter a tanker without special breathing equipment to supply oxygen. Manure gases can kill instantly. One breath of Hydrogen Sulphide can kill.
7. When looking up or repairing hydraulic hoses always wear safety glasses and relieve pressure to avoid getting oil in eyes.
8. Caution - disc brakes will not release unless valve lever is held momentarily in opposite position. This will relieve pressure in brake line. Do not put in float position, they will not release.

23000L TANK COMPLETE

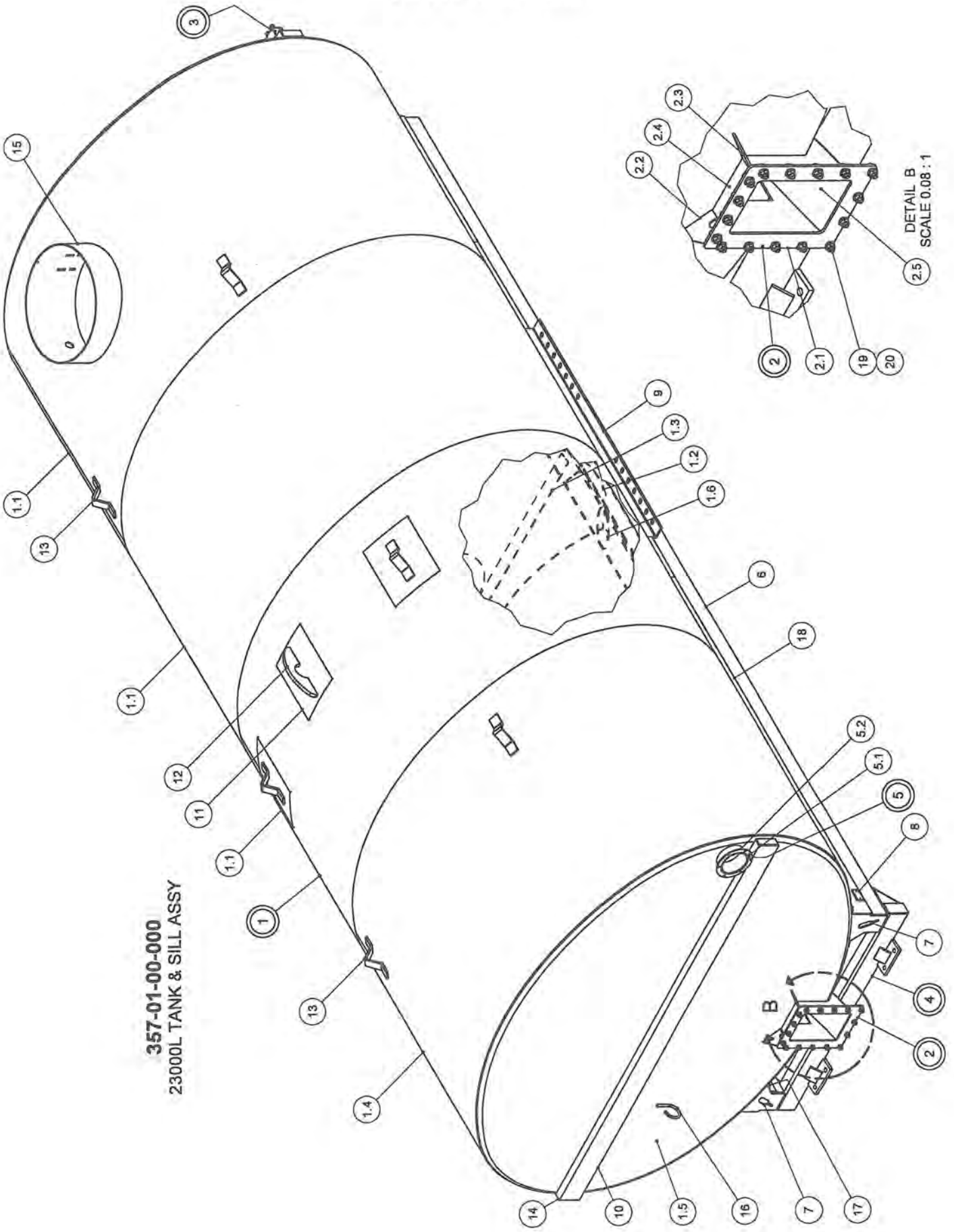


357-00-00-000
23000L TANK COMPLETE

23000L TANK COMPLETE

PARTS LIST			
ITEM	PART NUMBER	DESCRIPTION	QTY
1	357-01-00-000	23000L TANK & SILL ASSY	1
2	357-53-00-000	6" DISCHARGE PIPE KIT	1
3	364-95-00-000	LADDER ASSY	1
4	357-29-00-000	TONGUE & HITCH KIT - EXTENDED	1
5	340-62-00-000	INDICATOR KIT	1
5.1	340-00-00-536	FLAG SPRING HOLDER	1
5.2	R08037	SPRING FOR SPREADER FLAG	1
5.3	340-62-00-553	INDICATOR HOSE	1
5.4	R07926	5/16-18 x 1/4" SET SCREW	1
6	356-11-00-000	AXLE KIT FOR 30.5 X 32 TIRES	1
7	357-07-00-000	30.5L x 32 TIRE & WHEEL ASSY - 25000LB	4
8	LIGHT KIT 23000L	TAIL LIGHT KIT	1
9	357-63-00-000	SAFETY BAR ASSY	1
10	R21583	PTO - 1000 RPM	1
11	R09783	"CAUTION" DECAL	1
12	R09512	CAPACITY DECAL	1
13	R09730	TORQUE, TIRE PRESSURE DECAL	1
14	R09509	"MADE IN CANADA" DECAL - LARGE	1
15	R10097	AMBER REFLECTOR	1
16	R10096	RED REFLECTOR	2
17	R10334	TOXIC GAS PICTORAL DECAL	1
18	R09501	SLOW MOVING VEHICLE DECAL	1
19	R09510	"HUSKY" DECAL	2
20	R09511	ACCENT STRIP	2
21	R09071	SERIAL NUMBER PLATE	1
22	R08152	6 x 1/4 PAN HD SOCKET SCREW	2
23	364-56-00-000	1000 FAN & HOUSING KIT	1
24	330-00-00-559	ACCESS TUBE COVER PLATE	1
25	R07675	3/8 x 1 1/4" HEX BOLT	6
26	R07803	3/8 LOCK WASHER	6
27	R07783	3/8 HEX NUT	6

23000L TANK ASSY

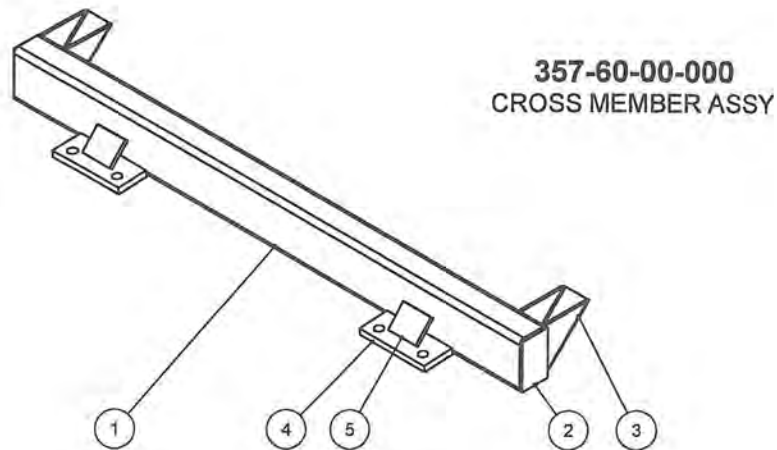


357-01-00-000
23000L TANK & SILL ASSY

DETAIL B
SCALE 0.08 : 1

23000L TANK ASSY

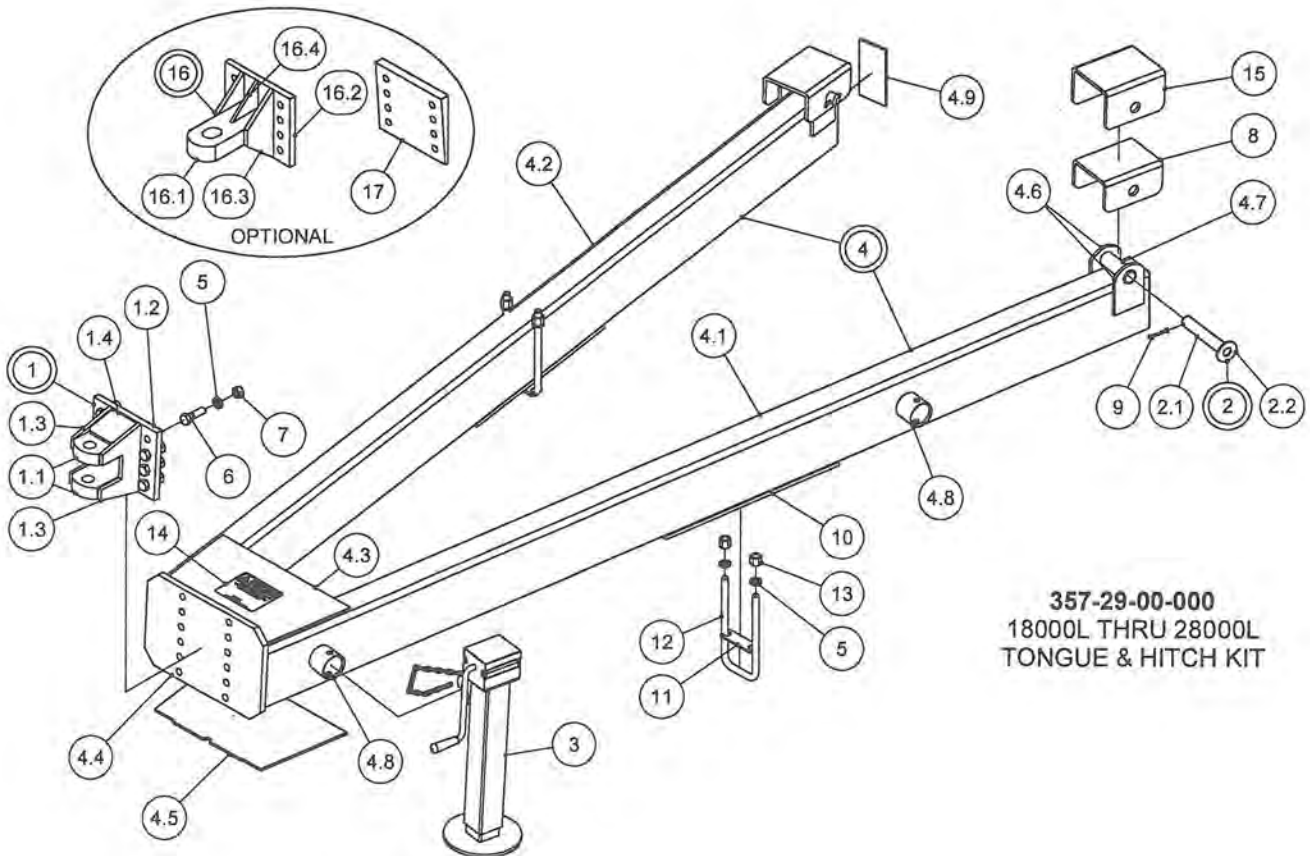
PARTS LIST				PARTS LIST			
ITEM	PART NUMBER	DESCRIPTION	QTY	ITEM	PART NUMBER	DESCRIPTION	QTY
1	357-01-01-000	23000L TANK ASSY	1	5.2	330-20-03-556	ACCESS TUBE	1
1.1	357-01-01-120	TANK SHELL	3	6	357-01-00-264	23000L SILL	2
1.2	340-01-01-302	FLANGED TANK BAFFLE	2	7	357-01-00-265	SILL CAP FOR 5 x 7 TUBE	4
1.3	340-01-01-557	BAFFLE REINFORCING BAR	4	8	340-01-00-498	SERIAL NO. BACK PLATE	1
1.4	356-01-01-001	TANK SHELL	1	9	364-02-00-280	AXLE ADJUSTMENT ANGLE	2
1.5	340-01-01-300	FLANGED TANK END	2	10	340-01-06-312	TANK END STIFFENER	2
1.6	340-01-01-559	OVAL REINFORCING PLATE	4	11	340-01-00-546	LIFT HOOK REINFORCING PLATE	3
2	364-82-00-000	FLANGED TANK OUTLET	1	12	340-01-00-555	CENTER LIFT HOOK	1
2.1	364-81-02-393	HOUSING FLANGE	1	13	300-01-00-012	TANK LIFT HOOK	6
2.2	364-82-00-395	LH OUTLET SIDE PC	1	14	340-01-06-464	TANK STIFFENER CAP	4
2.3	364-82-00-396	RH OUTLET SIDE PC	1	15	364-02-00-006	24" MANHOLE	1
2.4	364-01-03-104	OUTLET TOP PC	1	16	315-30-00-108	HYD. HOSE HOOK	1
2.5	364-01-03-105	OUTLET BOTTOM PC	1	17	356-01-00-029	INNER SILL REINFORCING PLATE	6
3	357-30-03-000	MOUNT BRKT ASSY	2	18	356-01-00-030	OUTER SILL REINFORCING PLATE	6
4	357-60-00-000	CROSS MEMBER ASSY	1	19	R07674	1/2 x 1 1/4 UNC HEX BOLT	16
5	330-20-03-000	ACCESS TUBE ASSY	1	20	R07795	1/2-13 UNC FLANGE NUT	16
5.1	330-20-03-560	ACCESS TUBE FLANGE	1				



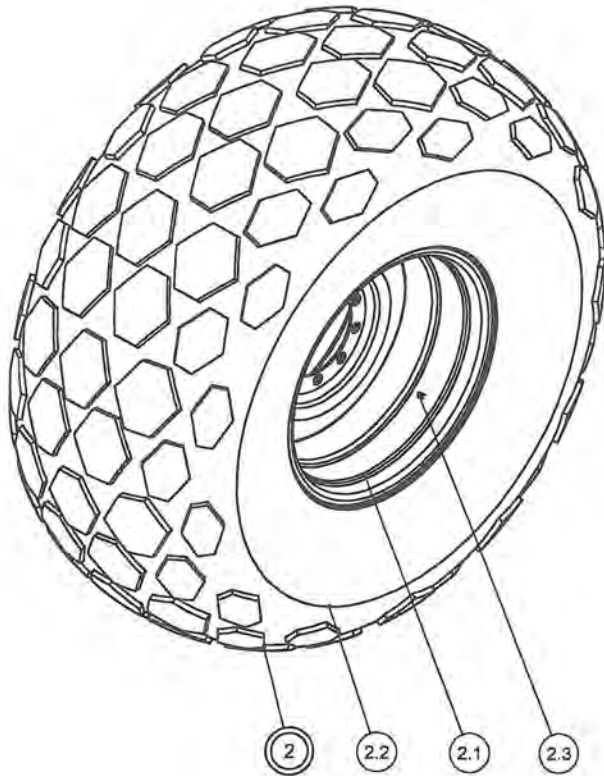
PARTS LIST			
ITEM	PART NUMBER	DESCRIPTION	QTY
1	357-60-00-290	CROSS MEMBER	1
2	357-60-00-291	END CAP	2
3	357-60-00-292	DOUBLE GUSSET	2
4	357-28-00-168	TONGUE STRAP	2
5	364-02-17-123	TONGE STRAP GUSSET	2

18000L THRU 28000L TONGUE & HITCH KIT

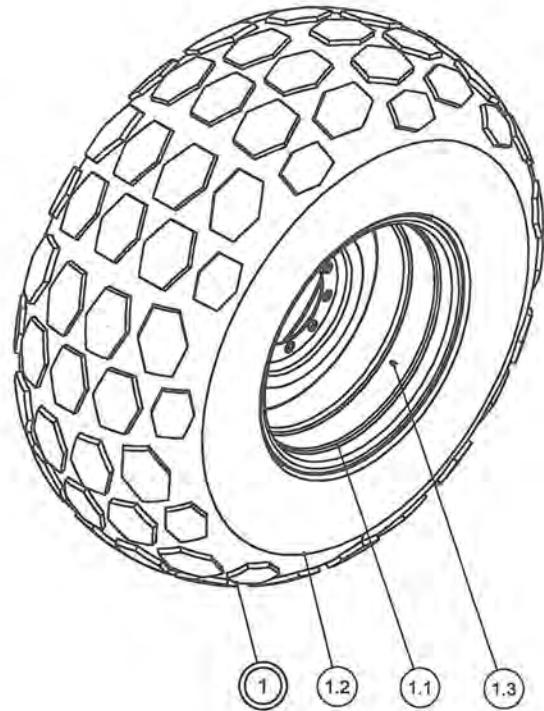
PARTS LIST				PARTS LIST			
ITEM	PART NUMBER	DESCRIPTION	QTY	ITEM	PART NUMBER	DESCRIPTION	QTY
1	358-43-00-000	HITCH ASSY	1	4.9	315-36-00-147	TONGUE TUBE COVER	2
1.1	358-43-00-140	HITCH PLATE	2	5	R07807	3/4" LOCK WASHER	12
1.2	358-43-00-139	HITCH BACK PLATE	1	6	R07655	3/4 x 2 1/2 HEX BOLT	8
1.3	358-43-00-141	HITCH SIDE GUSSET	2	7	R07787	3/4 - 10 UNC HEX NUT	8
1.4	358-43-00-142	HITCH UPPER GUSSET	2	8	315-31-00-115	TONGUE "U" PC	2
2	315-39-00-000	LOCK PIN ASSY	2	9	R08016	1/4 x 2 COTTER PIN	2
2.1	315-39-00-155	TONGUE LOCK PIN	1	10	357-00-00-129	TONGUE REINFORCING PLATE	2
2.2	R07828	1" FLAT WASHER	1	11	364-00-00-131	U - BOLT SPACER	2
3	357-14-00-000	8000 LB JACK KIT	1	12	R08172	3/4" UNF x 10" - "U" BOLT	2
4	357-27-00-000	TONGUE ASSY	1	13	R07820	3/4" FED. HIGH HEX NUT	4
4.1	357-27-00-165	LH TONGUE TUBE	1	14	R09672	CAUTION PTO LENGTH DECAL	1
4.2	357-27-00-164	RH TONGUE TUBE	1	15	394-03-00-014	TONGUE "U" PC	2
4.3	357-27-00-166	UPPER TONGUE TUBE GUSSET	1	16	358-44-00-000	SINGLE POINT HITCH ASSY	1
4.4	358-42-00-137	HITCH BOLT PLATE	1	16.1	364-26-00-091	SINGLE POINT HITCH	1
4.5	357-27-00-310	LOWER TONGUE TUBE GUSSET	1	16.2	358-43-00-139	HITCH BACK PLATE	1
4.6	315-36-00-146	TONGUE SIDE PC	4	16.3	358-44-00-144	SIDE GUSSET	2
4.7	315-36-00-145	TONGUE BUSHING	2	16.4	358-44-00-145	TOP GUSSET	2
4.8	364-35-00-245	TONGUE JACK BRKT	2	17	358-00-00-143	WEDGE PLATE	1



23000L & 28000L TIRES



35.5 x 32 TIRE & WHEEL ASSY
356-08-00-000
 (OPTIONAL)



30.5 x 32 TIRE & WHEEL ASSY
357-07-00-000

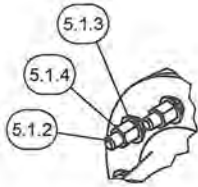
PARTS LIST			
ITEM	PART NUMBER	DESCRIPTION	QTY
1	357-07-00-000	30.5L x 32 TIRE & WHEEL ASSY - 25000LB	4
1.1	R22071	30.5 - 25000lb RIM	1
1.2	R22070	30.5L x 32 R3 12 PLY TIRE	1
1.3	R20161	VALVE STEM	1
2	356-08-00-000	35.5L x 32 TIRE & WHEEL ASSY - 25000LB	4
2.1	R22071	30.5 - 25000lb RIM	1
2.2	R22089	35.5L x 32 TIRE	1
2.3	R20161	VALVE STEM	1

23000L AXLE KIT

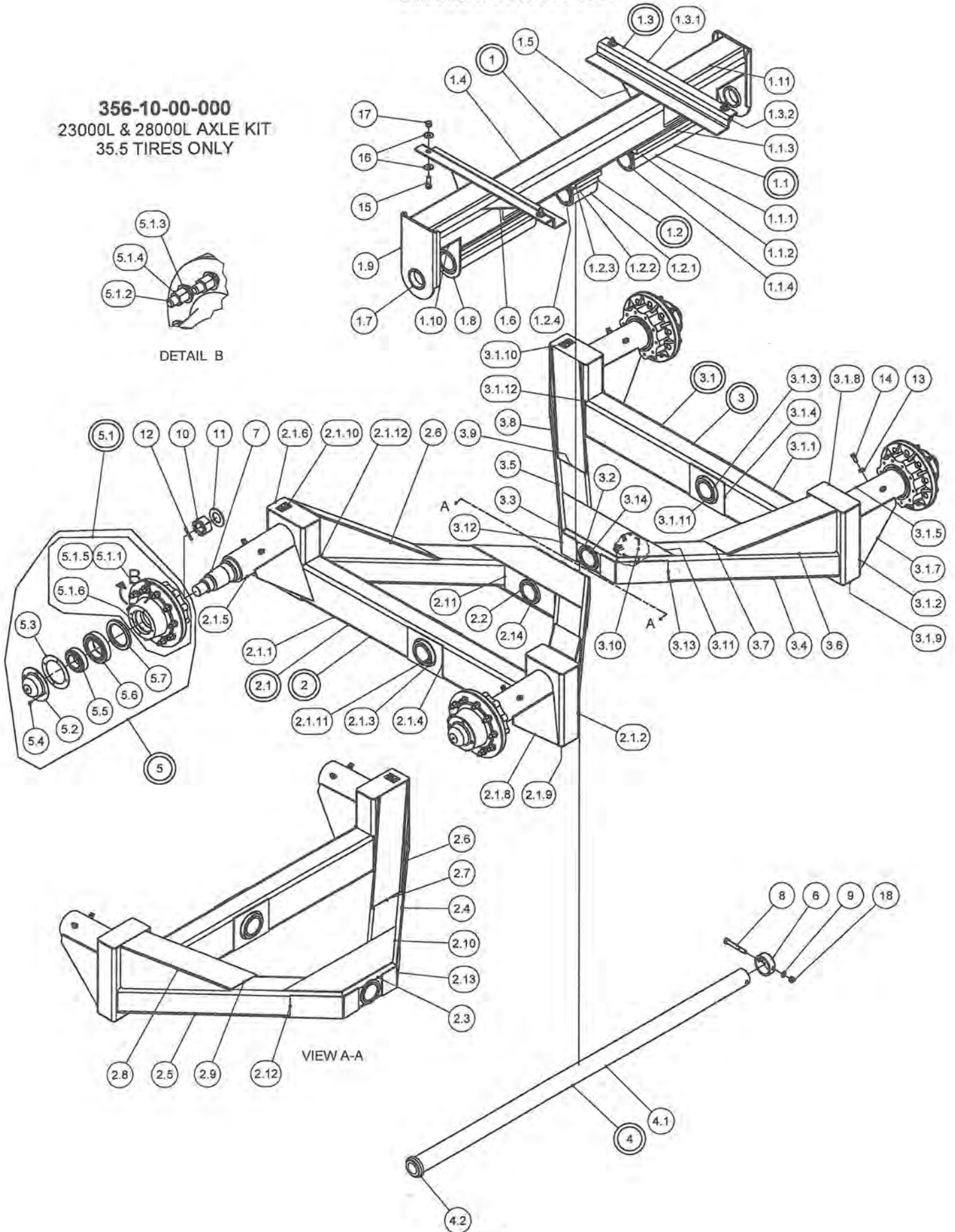
PARTS LIST				PARTS LIST			
ITEM	PART NUMBER	DESCRIPTION	QTY	ITEM	PART NUMBER	DESCRIPTION	QTY
1	356-10-01-000	BASE FRAME ASSY	1	3.1.4	356-09-02-037	REINFORCING PLATE	2
1.1	356-09-06-000	OUTER SLEEVE ASSY	2	3.1.5	356-07-02-012	SPINDLE SLEEVE FOR 5 1/2" SPINDLE	2
1.1.1	356-09-06-055	OUTER TUBE	1	3.1.7	356-09-02-039	SMALL SPINDLE SLEEVE GUSSET	4
1.1.2	356-09-06-054	OUTER SLEEVE HOLDER	1	3.1.8	394-01-03-017	COVER PLATE	2
1.1.3	356-09-06-053	OUTER SPACER BAR	1	3.1.9	356-09-02-040	BOTTOM CAP	2
1.1.4	356-09-06-069	INNER CENTER SLEEVE	1	3.1.10	358-01-00-401	"FRONT" PLATE	1
1.2	356-09-07-000	CENTER SLEEVE ASSY	1	3.1.11	356-09-02-070	INNER WALKER SLEEVE	1
1.2.1	356-09-07-058	INNER TUBE	1	3.1.12	356-09-02-060	FILLER BAR	4
1.2.2	356-09-07-057	OUTER SLEEVE HOLDER	1	3.2	356-09-01-041	INNER WALKER SLEEVE	1
1.2.3	356-09-07-056	INNER SPACER BAR	1	3.3	356-09-01-071	INSIDE INNER WALKER SLEEVE	1
1.2.4	356-09-07-068	INNER CENTER SLEEVE	1	3.4	356-11-01-073	MIDDLE CONNECTOR TUBE	1
1.3	330-69-01-000	SILL "Z" PLATE ASSY	2	3.5	356-11-01-074	FRONT TANDEM ARM	1
1.3.1	358-85-00-253	SILL "Z" PLATE	1	3.6	356-11-01-075	REAR TANDEM ARM	1
1.3.2	330-69-00-550	GUSSET	2	3.7	356-11-01-077	REAR TIE PLATE	1
1.4	356-10-01-061	CROSS AXLE SUPPORT	1	3.8	356-11-01-078	FRONT TIE PLATE	1
1.5	340-07-00-330	DOUBLE GUSSET	4	3.9	356-11-01-076	TOP GUSSET	2
1.6	358-03-00-355	GUSSET	4	3.10	356-11-01-080	FRONT TANDEM ARM GUSSET	2
1.7	356-10-01-062	SUPPORT SLEEVE	2	3.11	356-11-01-079	REAR TANDEM ARM GUSSET	2
1.8	356-10-01-063	INNER END CAP	2	3.12	356-11-01-082	FRONT GUSSET CAP	1
1.9	356-10-01-064	END CAP w/ HOLE	2	3.13	356-11-01-081	REAR GUSSET CAP	1
1.10	356-10-01-065	FILLER PLATE	2	3.14	356-11-01-083	INNER SUPPORT PLATE	1
1.11	356-10-01-067	"U" SUPPORT PC	2	4	356-10-02-000	MAIN AXLE TUBE ASSY	1
2	356-11-01-000	LH TANDEM SIDE ASSY-30.5	1	4.1	356-10-02-066	MAIN AXLE TUBE	1
2.1	356-11-02-000	LH WALKING BEAM ASSY-30.5	1	4.2	340-63-00-538	STOP RING	1
2.1.1	356-11-02-072	WALKING BEAM	1	5	357-06-00-000	25000 LB HUB COMPLETE	4
2.1.2	356-09-02-035	WALKING BEAM END TUBE	2	5.1	357-06-00-215	25000LB HUB w/ CUPS,BLTS,NUTS & WSHRS	1
2.1.3	356-09-02-036	WALKER SLEEVE	1	5.1.1	25000LB HUB	25000LB HUB - MACHINED LESS BEARINGS	1
2.1.4	356-09-02-037	REINFORCING PLATE	2				
2.1.5	356-07-02-012	SPINDLE SLEEVE FOR 5 1/2" SPINDLE	2	5.1.2	R20096	3/4" WHEEL BOLTS	10
2.1.6	394-01-03-017	COVER PLATE	2	5.1.3	R20152	3/4" SPHERICAL WASHER	10
2.1.8	356-09-02-039	SMALL SPINDLE SLEEVE GUSSET	4	5.1.4	R07820	3/4" FED. HIGH HEX NUT	10
2.1.9	356-09-02-040	BOTTOM CAP	2	5.1.5	R22038	INNER CUP 71750	1
2.1.10	358-01-00-401	"FRONT" PLATE	1	5.1.6	R22037	OUTER CUP 652	1
2.1.11	356-09-02-070	INNER WALKER SLEEVE	1	5.2	357-06-00-136	25000LB DUST CAP w/ GREASE FTG	1
2.1.12	356-09-02-060	FILLER BAR	4	5.3	R22042	DUST CAP GASKET	1
2.2	356-09-01-041	INNER WALKER SLEEVE	1	5.4	R07694	DUST CAP BOLT 5/16 - 18 x 1/2	4
2.3	356-09-01-071	INSIDE INNER WALKER SLEEVE	1	5.5	R22039	OUTER CONE - 863	1
2.4	356-11-01-073	MIDDLE CONNECTOR TUBE	1	5.6	R22040	INNER CONE - 71455	1
2.5	356-11-01-074	FRONT TANDEM ARM	1	5.7	R22045	HUB SEAL 456192	1
2.6	356-11-01-075	REAR TANDEM ARM	1	6	357-00-00-118	RETAINING RING	1
2.7	356-11-01-076	TOP GUSSET	2	7	R07660	3/4 x 6" HEX BOLT	1
2.8	356-11-01-077	REAR TIE PLATE	1	8	R07807	3/4" LOCK WASHER	1
2.9	356-11-01-078	FRONT TIE PLATE	1	9	R07787	3/4 - 10 UNC HEX NUT	1
2.10	356-11-01-079	REAR TANDEM ARM GUSSET	2	10	R07786	5/8 HEX NUT	8
2.11	356-11-01-080	FRONT TANDEM ARM GUSSET	2	11	R07927	5/8 x 1 1/2 SQ. HD. SET SCREW	8
2.12	356-11-01-081	REAR GUSSET CAP	1	12	R07827	3/4" FLAT WASHER	8
2.13	356-11-01-082	FRONT GUSSET CAP	1	13	R07655	3/4 x 2 1/2 HEX BOLT	4
2.14	356-11-01-083	INNER SUPPORT PLATE	1	14	R07878	3/4 NYLOCK NUT	4
3	356-11-03-000	RH TANDEM SIDE ASSY-30.5	1	15	357-00-00-196	25000 LB SPINDLE	4
3.1	356-11-04-000	RH WALKING BEAM-30.5	1	16	357-00-00-128	SPINDLE WASHER	4
3.1.1	356-11-02-072	WALKING BEAM	1	17	R22047	SPINDLE NUT 2 1/2" - 12UN	4
3.1.2	356-09-02-035	WALKING BEAM END TUBE	2	18	R07987	3/8 x 3" ROLL PIN	4
3.1.3	356-09-02-036	WALKER SLEEVE	1				

23000L & 28000L AXLE

356-10-00-000
 23000L & 28000L AXLE KIT
 35.5 TIRES ONLY



DETAIL B



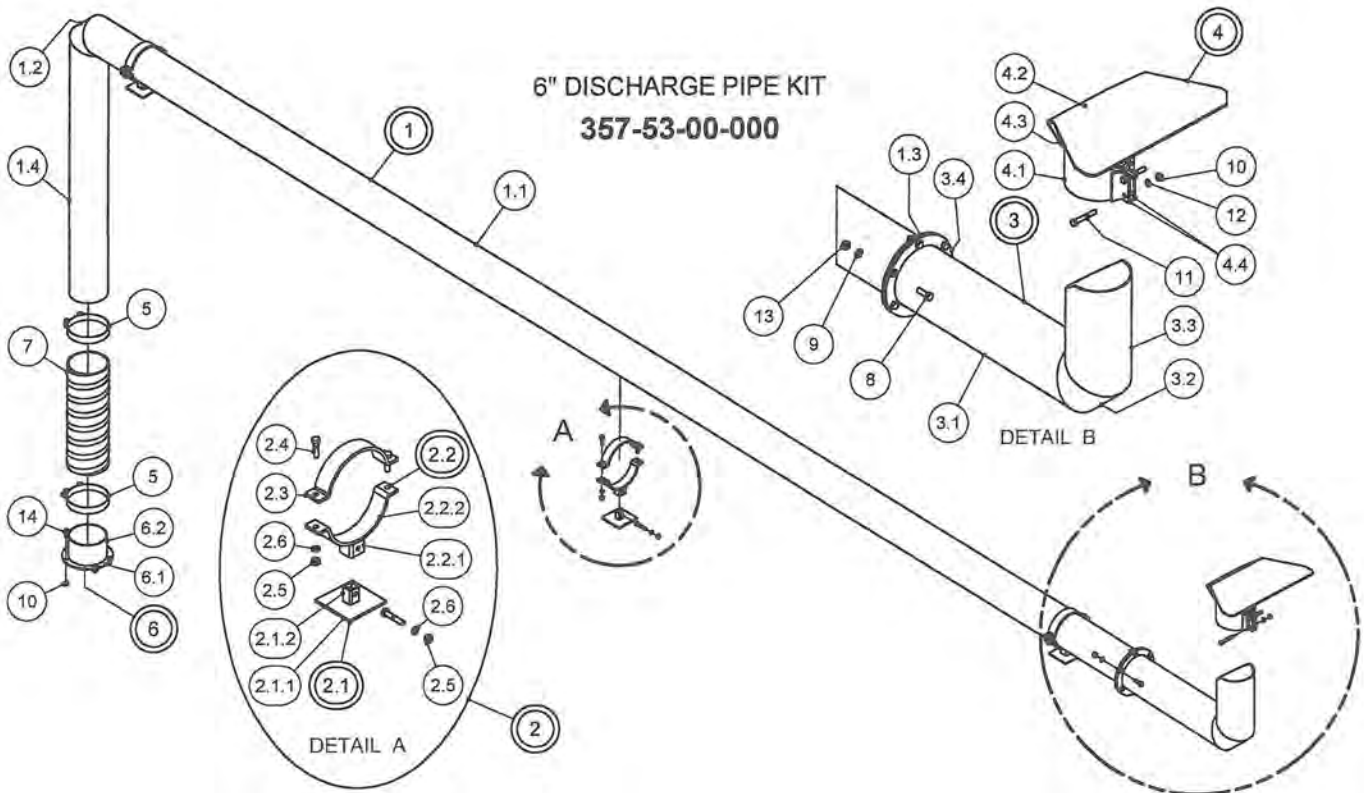
VIEW A-A

23000L & 28000L AXLE

PARTS LIST				PARTS LIST			
ITEM	PART NUMBER	DESCRIPTION	QTY	ITEM	PART NUMBER	DESCRIPTION	QTY
1	356-10-01-000	BASE FRAME ASSY	1	3.1.4	356-09-02-037	REINFORCING PLATE	2
1.1	356-09-06-000	OUTER SLEEVE ASSY	2	3.1.5	356-07-02-012	SPINDLE SLEEVE FOR 5 1/2" SPINDLE	2
1.1.1	356-09-06-055	OUTER TUBE	1	3.1.7	356-09-02-039	SMALL SPINDLE SLEEVE GUSSET	4
1.1.2	356-09-06-054	OUTER SLEEVE HOLDER	1	3.1.8	394-01-03-017	COVER PLATE	2
1.1.3	356-09-06-053	OUTER SPACER BAR	1	3.1.9	356-09-02-040	BOTTOM CAP	2
1.1.4	356-09-06-069	INNER CENTER SLEEVE	1	3.1.10	358-01-00-401	"FRONT" PLATE	1
1.2	356-09-07-000	CENTER SLEEVE ASSY	1	3.1.11	356-09-02-070	INNER WALKER SLEEVE	1
1.2.1	356-09-07-058	INNER TUBE	1	3.1.12	356-09-02-060	FILLER BAR	4
1.2.2	356-09-07-057	OUTER SLEEVE HOLDER	1	3.2	356-09-01-041	INNER WALKER SLEEVE	1
1.2.3	356-09-07-056	INNER SPACER BAR	1	3.3	356-09-01-042	MIDDLE CONNECTOR TUBE	1
1.2.4	356-09-07-068	INNER CENTER SLEEVE	1	3.4	356-09-01-044	REAR TANDEM ARM	1
1.3	330-69-01-000	SILL "Z" PLATE ASSY	2	3.5	356-09-01-043	FRONT TANDEM ARM	1
1.3.1	358-85-00-253	SILL "Z" PLATE	1	3.6	356-09-01-050	REAR TANDEM ARM GUSSET	2
1.3.2	330-69-00-550	GUSSET	2	3.7	356-09-01-052	REAR TOP FILLER PLATE	1
1.4	356-10-01-061	CROSS AXLE SUPPORT	1	3.8	356-09-01-049	FRONT TANDEM ARM GUSSET	2
1.5	340-07-00-330	DOUBLE GUSSET	4	3.9	356-09-01-051	FRONT TOP FILLER PLATE	1
1.6	358-03-00-355	GUSSET	4	3.10	356-09-01-048	INNER SUPPORT PLATE	1
1.7	356-10-01-062	SUPPORT SLEEVE	2	3.11	356-09-01-047	TOP GUSSET	2
1.8	356-10-01-063	INNER END CAP	2	3.12	356-09-01-045	FRONT TIE PLATE	1
1.9	356-10-01-064	END CAP w/ HOLE	2	3.13	356-09-01-046	REAR TIE PLATE	1
1.10	356-10-01-065	FILLER PLATE	2	3.14	356-09-01-071	INSIDE INNER WALKER SLEEVE	1
1.11	356-10-01-067	"U" SUPPORT PC	2	4	356-10-02-000	MAIN AXLE TUBE ASSY	1
2	356-09-01-000	LH TANDEM SIDE ASSY	1	4.1	356-10-02-066	MAIN AXLE TUBE	1
2.1	356-09-02-000	LH WALKING BEAM ASSY	1	4.2	340-63-00-538	STOP RING	1
2.1.1	356-09-02-034	WALKING BEAM	1	5	357-06-00-000	25000 LB HUB COMPLETE	4
2.1.2	356-09-02-035	WALKING BEAM END TUBE	2	5.1	357-06-00-215	25000LB HUB w/ CUPS,BLTS,NUTS & WSHRS	1
2.1.3	356-09-02-036	WALKER SLEEVE	1				
2.1.4	356-09-02-037	REINFORCING PLATE	2	5.1.1	25000LB HUB	25000LB HUB - MACHINED LESS BEARINGS	1
2.1.5	356-07-02-012	SPINDLE SLEEVE FOR 5 1/2" SPINDLE	2				
2.1.6	394-01-03-017	COVER PLATE	2	5.1.2	R20096	3/4" WHEEL BOLTS	10
2.1.8	356-09-02-039	SMALL SPINDLE SLEEVE GUSSET	4	5.1.3	R20152	3/4" SPHERICAL WASHER	10
2.1.9	356-09-02-040	BOTTOM CAP	2	5.1.4	R07820	3/4" FED. HIGH HEX NUT	10
2.1.10	358-01-00-401	"FRONT" PLATE	1	5.1.5	R22038	INNER CUP 71750	1
2.1.11	356-09-02-070	INNER WALKER SLEEVE	1	5.1.6	R22037	OUTER CUP 652	1
2.1.12	356-09-02-060	FILLER BAR	4	5.2	357-06-00-136	25000LB DUST CAP w/ GREASE FTG	1
2.2	356-09-01-041	INNER WALKER SLEEVE	1	5.3	R22042	DUST CAP GASKET	1
2.3	356-09-01-042	MIDDLE CONNECTOR TUBE	1	5.4	R07694	DUST CAP BOLT 5/16 - 18 x 1/2	4
2.4	356-09-01-043	FRONT TANDEM ARM	1	5.5	R22039	OUTER CONE - 663	1
2.5	356-09-01-044	REAR TANDEM ARM	1	5.6	R22040	INNER CONE - 71455	1
2.6	356-09-01-049	FRONT TANDEM ARM GUSSET	2	5.7	R22045	HUB SEAL 456192	1
2.7	356-09-01-051	FRONT TOP FILLER PLATE	1	6	357-00-00-118	RETAINING RING	1
2.8	356-09-01-050	REAR TANDEM ARM GUSSET	2	7	357-00-00-196	25000 LB SPINDLE	4
2.9	356-09-01-052	REAR TOP FILLER PLATE	1	8	R07680	3/4 x 6" HEX BOLT	1
2.10	356-09-01-047	TOP GUSSET	2	9	R07807	3/4" LOCK WASHER	1
2.11	356-09-01-048	INNER SUPPORT PLATE	1	10	R22047	SPINDLE NUT 2 1/2" - 12UN	4
2.12	356-09-01-046	REAR TIE PLATE	1	11	357-00-00-128	SPINDLE WASHER	4
2.13	356-09-01-045	FRONT TIE PLATE	1	12	R07987	3/8 x 3" ROLL PIN	4
2.14	356-09-01-071	INSIDE INNER WALKER SLEEVE	1	13	R07786	5/8 HEX NUT	8
3	356-09-03-000	RH TANDEM SIDE ASSY	1	14	R07927	5/8 x 1 1/2 SQ. HD. SET SCREW	8
3.1	356-09-04-000	RH WALKING BEAM	1	15	R07655	3/4 x 2 1/2 HEX BOLT	4
3.1.1	356-09-02-034	WALKING BEAM	1	16	R07827	3/4" FLAT WASHER	8
3.1.2	356-09-02-035	WALKING BEAM END TUBE	2	17	R07878	3/4 NYLOCK NUT	4
3.1.3	356-09-02-036	WALKER SLEEVE	1	18	R07787	3/4 - 10 UNC HEX NUT	1

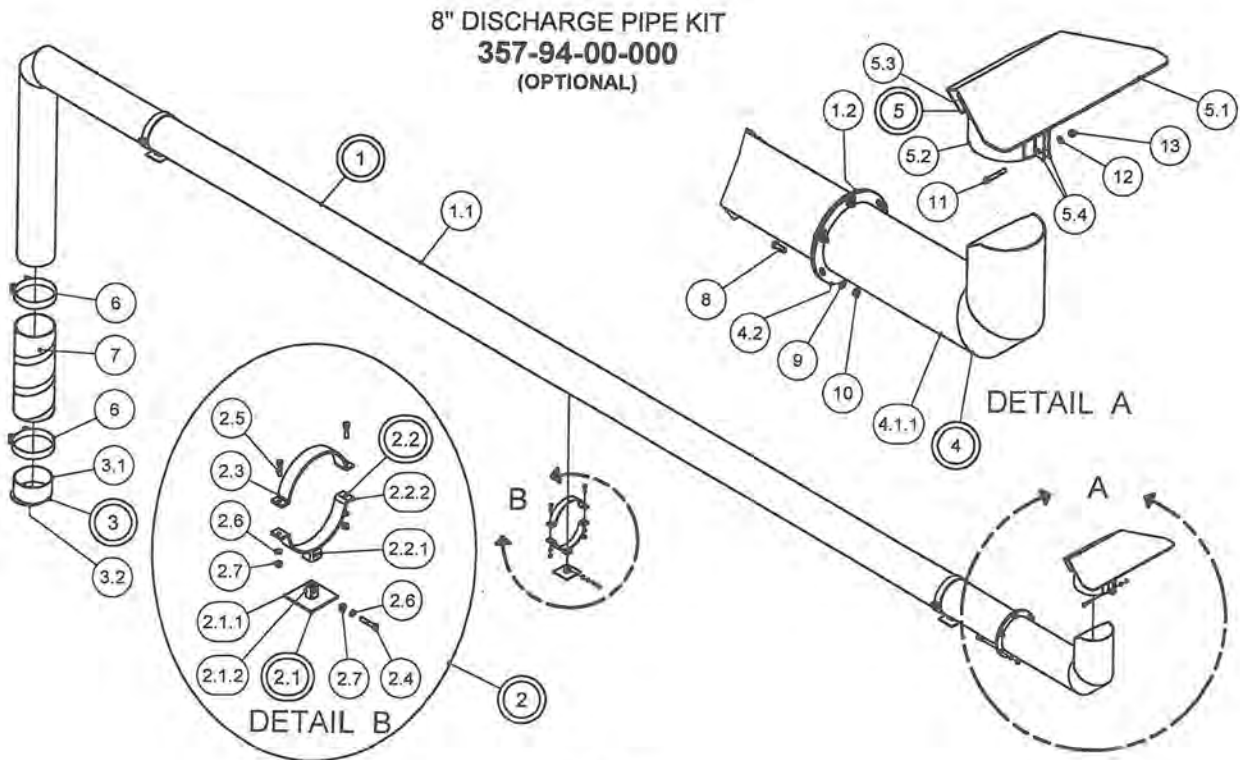
6" DISCHARGE PIPE KIT - 23000L

PARTS LIST				PARTS LIST			
ITEM	PART NUMBER	DESCRIPTION	QTY	ITEM	PART NUMBER	DESCRIPTION	QTY
1	357-08-00-000	DISCHARGE PIPE ASSY - 6"	1	3.3	364-25-00-067	DISCHARGE PIPE END PC	1
1.1	357-08-00-124	6" HORIZONTAL DISCHARGE PIPE	1	3.4	364-19-00-087	DISCHARGE PIPE FLANGE	1
1.2	364-19-00-082	DISCHARGE PIPE CORNER PC	1	4	364-68-00-000	SPLASH PLATE ASSY	1
1.3	364-19-00-087	DISCHARGE PIPE FLANGE	1	4.1	364-68-00-215	CLAMPING TUBE	1
1.4	358-32-00-109	VERTICAL DISCHARGE PIPE	1	4.2	364-21-00-069	SPLASH PLATE	1
2	357-16-00-000	6" DISCHARGE PIPE HOLDER KIT	3	4.3	364-21-00-224	SPLASH PLATE WING	2
2.1	357-16-01-000	DISCHARGE PIPE BASE HOLDER ASSY	1	4.4	364-21-00-071	CLAMPING TUBE BRKT	2
2.1.1	357-16-01-130	BASE PLATE	1	5	R02482	6" HOSE CLAMP	2
2.1.2	357-16-01-131	LOWER STUB	1	6	364-31-00-000	HOSE TUBE ASSY - 6"	1
2.2	357-16-02-000	PIPE HOLDER ASSY	1	6.1	364-01-03-376	DISCHARGE RING	1
2.2.1	357-16-02-137	UPPER STUB	1	6.2	364-01-03-063	DISCHARGE TUBE	1
2.2.2	357-16-00-133	TOP PIPE HOLDER - 6"	1	7	364-00-00-066	HOSE SECTION	1
2.3	357-16-00-133	TOP PIPE HOLDER - 6"	1	8	R07671	7/16 x 1 1/4 HEX BOLT	6
2.4	R07620	3/8 x 1 1/2 HEX BOLT	2	9	R07804	7/16 LOCK WASHER	6
2.5	R07783	3/8 HEX NUT	3	10	R07783	3/8 HEX NUT	7
2.6	R07803	3/8 LOCK WASHER	3	11	R07622	3/8 x 2 1/2 HEX BOLT	2
2.7	R07621	3/8 x 2" HEX BOLT	1	12	R07803	3/8 LOCK WASHER	7
3	364-25-00-000	DISCHARGE PIPE END SECTION ASSY	1	13	R07784	7/16 HEX NUT	6
3.1	364-25-00-088	DISCHARGE PIPE FLANGE PC	1	14	R07619	3/8 x 1 HEX BOLT	5
3.2	364-19-00-082	DISCHARGE PIPE CORNER PC	1				



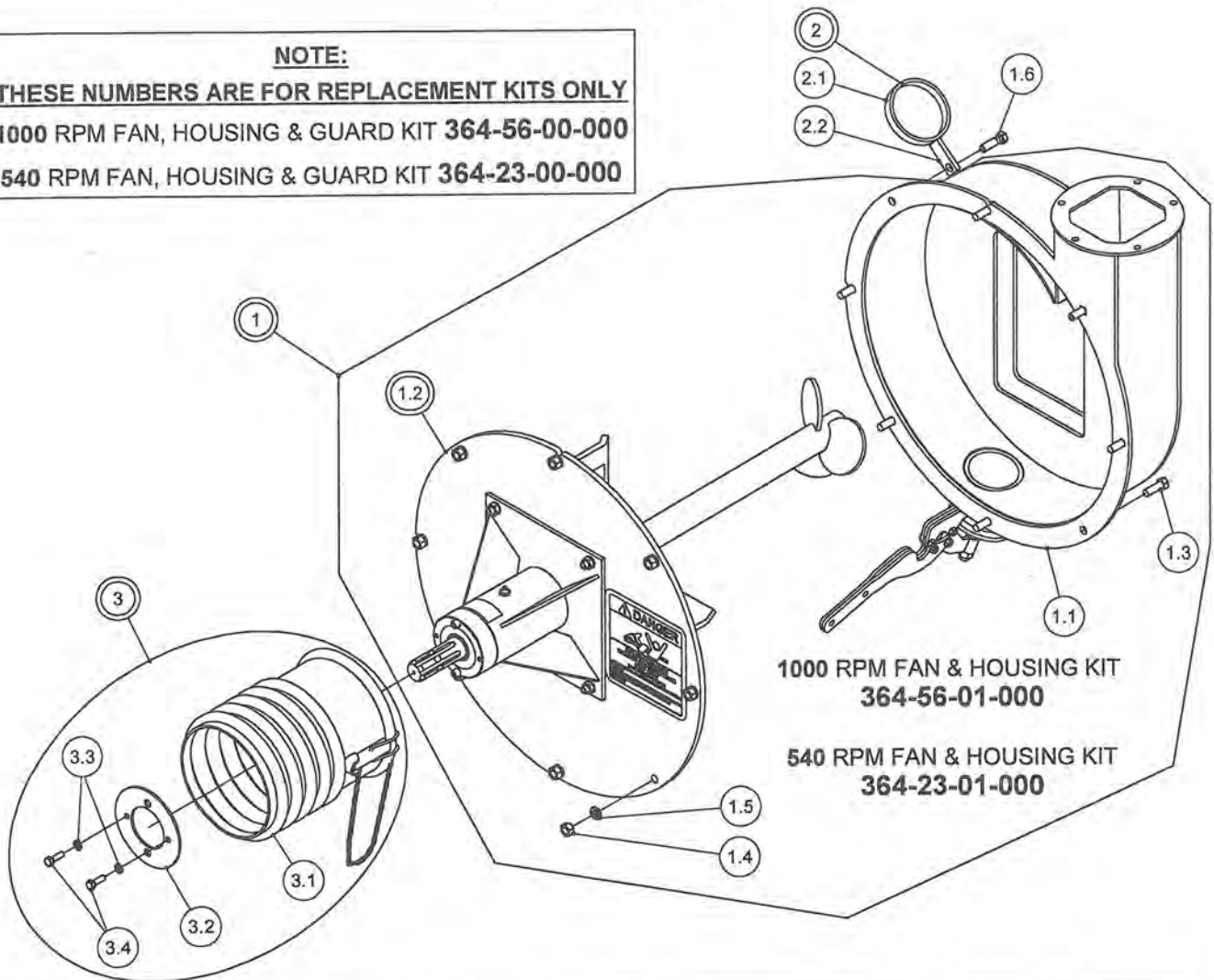
8" DISCHARGE PIPE KIT - 23000L

PARTS LIST				PARTS LIST			
ITEM	PART NUMBER	DESCRIPTION	QTY	ITEM	PART NUMBER	DESCRIPTION	QTY
1	357-94-02-000	23000L DISCHARGE PIPE ASSY 8"	1	4.1	358-92-03-307	8" EXTENSION PIPE	1
1.1	357-94-02-305	23000L 8" DISCHARGE PIPE - 78" DIA.	1	4.1.1	358-92-03-307	8" EXTENSION PIPE - HORIZONTAL PC	1
1.2	358-92-02-306	8" DISCHARGE FLANGE	1	4.1.2	358-92-03-307 - B	8" EXTENSION PIPE CORNER PC	1
2	357-17-00-000	8" DISCHARGE PIPE HOLDER KIT	3	4.1.3	358-92-03-307 - A	8" EXTENSION TUBE END PC	1
2.1	357-16-01-000	DISCHARGE PIPE BASE HOLDER ASSY	1	4.2	358-92-02-306	8" DISCHARGE FLANGE	1
2.1.1	357-16-01-130	BASE PLATE	1	5	358-92-04-000	8" SPLASH PLATE ASSY	1
2.1.2	357-16-01-131	LOWER STUB	1	5.1	358-92-04-308	8" SPLASH PLATE	1
2.2	357-17-01-000	PIPE HOLDER ASSY - 8"	1	5.2	358-92-04-309	8" SPLASH PLATE TUBE	1
2.2.1	357-16-02-137	UPPER STUB	1	5.3	358-92-04-310	WING FOR 8" SPLASH PLATE	2
2.2.2	357-17-00-135	TOP PIPE HOLDER - 8"	1	5.4	358-92-04-311	CLAMPING TUBE BRKT	2
2.3	357-17-00-135	TOP PIPE HOLDER - 8"	1	6	R02484	8" SUCTION HOSE CLAMP	2
2.4	R07621	3/8 x 2" HEX BOLT	1	7	358-92-00-329	8" DISCHARGE HOSE	1
2.5	R07620	3/8 x 1 1/2 HEX BOLT	2	8	R07671	7/16 x 1 1/4 HEX BOLT	6
2.6	R07803	3/8 LOCK WASHER	3	9	R07804	7/16 LOCK WASHER	6
2.7	R07783	3/8 HEX NUT	3	10	R07784	7/16 HEX NUT	6
3	358-92-01-000	8" HOUSING RING & TUBE ASSY	1	11	R07622	3/8 x 2 1/2 HEX BOLT	2
3.1	358-92-01-302	8" HOUSING OUTLET TUBE	1	12	R07803	3/8 LOCK WASHER	2
3.2	358-92-01-301	8" HOUSING DISCHARGE RING	1	13	R07783	3/8 HEX NUT	2
4	358-92-03-000	8" EXTENSION PIPE ASSY	1				



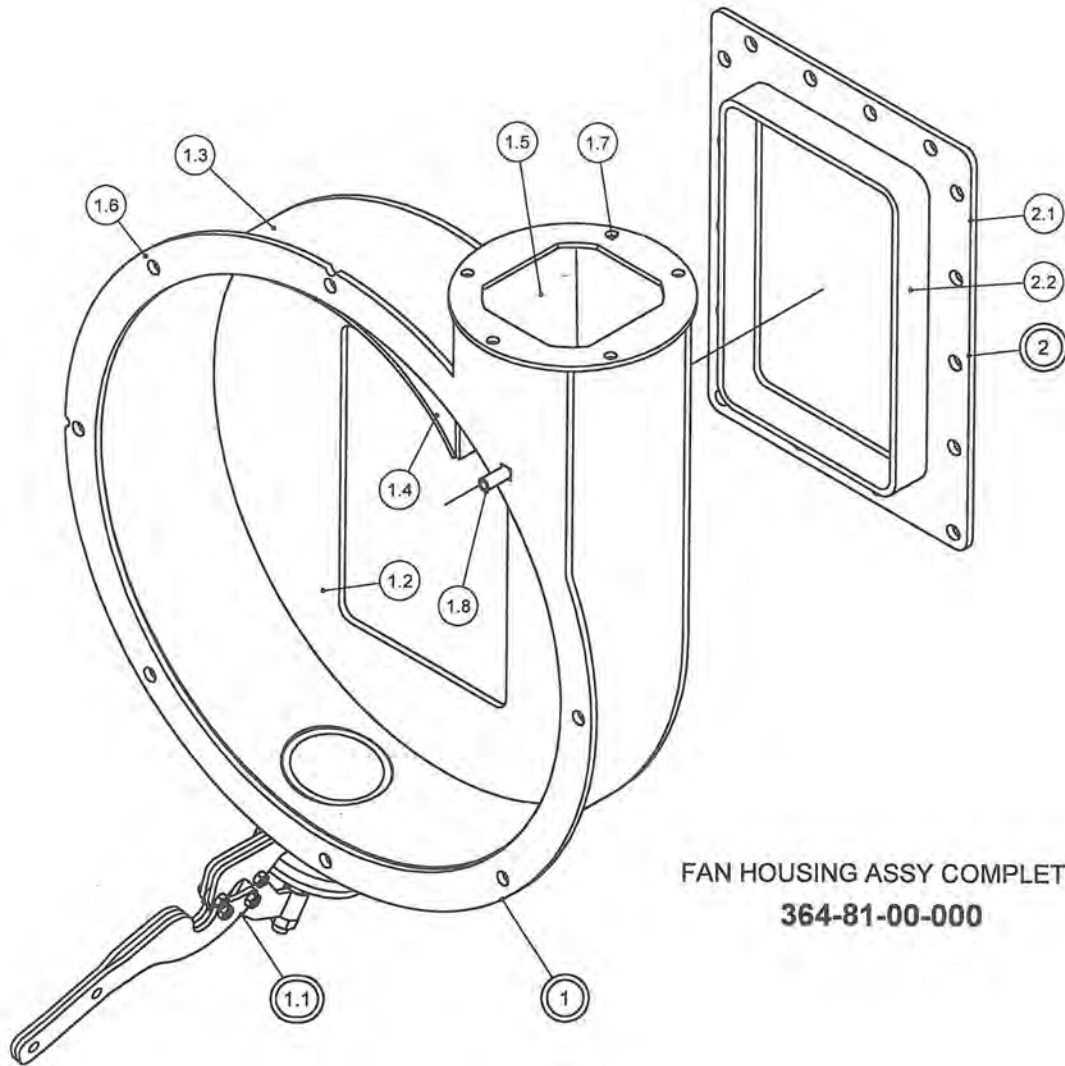
FAN & HOUSING KIT

NOTE:
THESE NUMBERS ARE FOR REPLACEMENT KITS ONLY
1000 RPM FAN, HOUSING & GUARD KIT 364-56-00-000
540 RPM FAN, HOUSING & GUARD KIT 364-23-00-000



PARTS LIST			
ITEM	PART NUMBER	DESCRIPTION	QTY
1	364-56-01-000	1000 FAN & HOUSING KIT	1
1	364-23-01-000	540 FAN & HOUSING KIT	1
1.1	364-81-00-000	FAN HOUSING ASSY COMPLETE	1
1.2	364-66-01-000	1000 RPM FAN & COVER PLATE	1
1.2	364-65-01-000	540 RPM FAN & COVER PLATE	1
1.3	R07871	7/16 x 1 1/4 HEX BOLT	6
1.4	R07784	7/16 HEX NUT	8
1.5	R07804	7/16 LOCK WASHER	8
1.6	R07629	7/16 x 1 1/2 HEX BOLT	1
2	364-41-00-000	PTO HOLDER ASSY	1
2.1	364-41-00-132	PTO HOLDER	1
2.2	364-41-00-133	PTO HOLDER BRACKET	1
3	364-69-00-000	PLASTIC PTO GUARD KIT	1
3.1	R22196	SHEILD CONE ASSY	1
3.2	364-00-00-448	GUARD SUPPORT	1
3.3	R07802	5/16 LOCK WASHER	2
3.4	R07611	5/16 x 1" HEX BOLT	2

FAN HOUSING ASSY

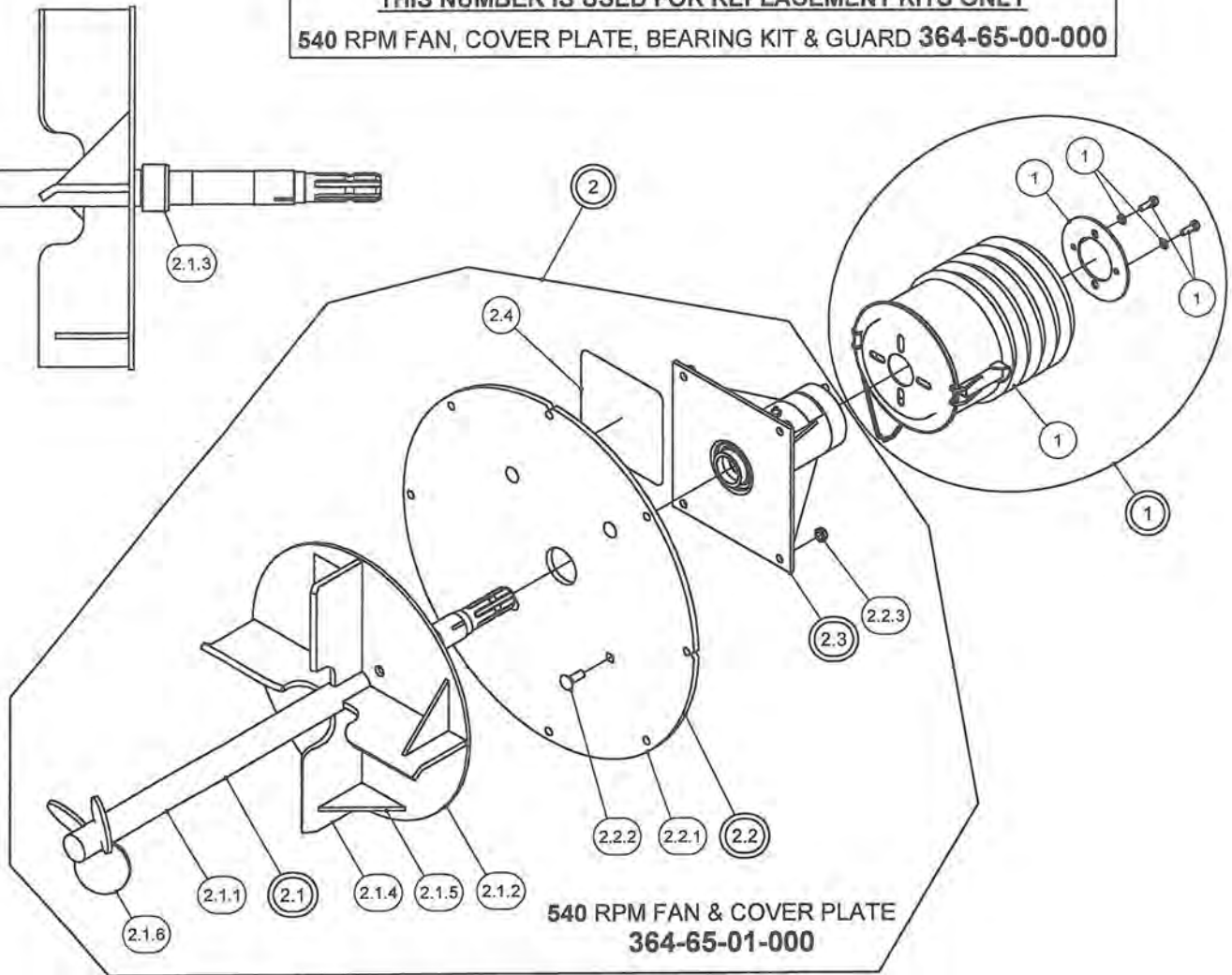


FAN HOUSING ASSY COMPLETE
364-81-00-000

PARTS LIST			
ITEM	PART NUMBER	DESCRIPTION	QTY
1	364-81-01-000	FAN HOUSING ASSY LESS FLANGE	1
1.1	364-62-00-000	DRAIN PLUG KIT	1
1.2	364-01-03-106	HOUSING BACK PLATE	1
1.3	364-01-03-018	HOUSING BAND	1
1.4	364-01-03-156	HOUSING BAND AID	1
1.5	364-01-03-081	FAN HOUSING VERTICAL PC	1
1.6	364-01-03-019	HOUSING FLANGE	1
1.7	364-01-03-376	DISCHARGE RING	1
1.8	R07774	7/16 x 1 1/4" GR 5 CARRIAGE BOLT	1
2	364-81-02-000	HOUSING INLET FLANGE ASSY	1
2.1	364-81-02-393	HOUSING FLANGE	1
2.2	364-81-02-424	INLET EXTENSION TUBE	1

540 RPM FAN, COVER PLATE, & BRG KIT

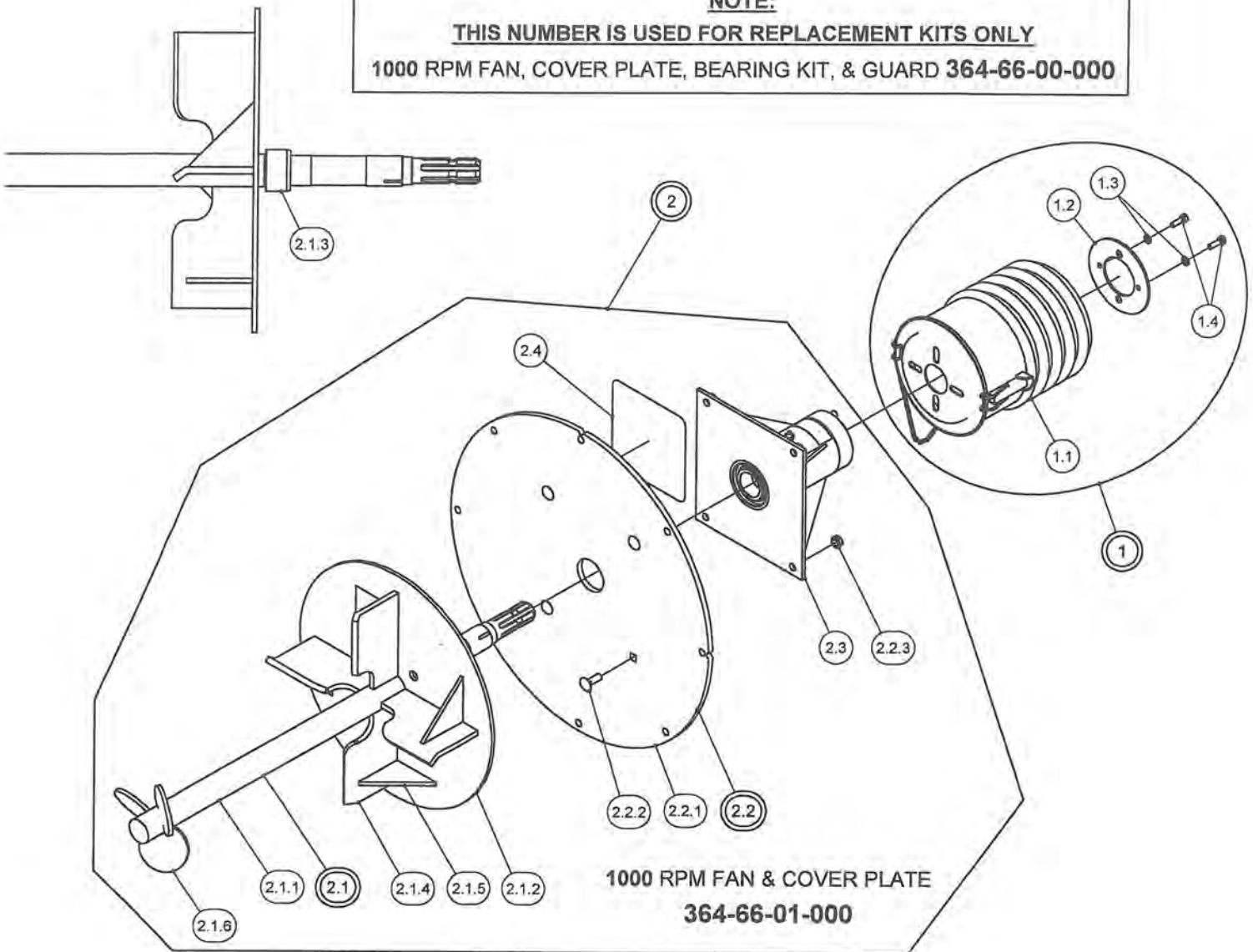
NOTE:
THIS NUMBER IS USED FOR REPLACEMENT KITS ONLY
540 RPM FAN, COVER PLATE, BEARING KIT & GUARD 364-65-00-000



PARTS LIST				PARTS LIST			
ITEM	PART NUMBER	DESCRIPTION	QTY	ITEM	PART NUMBER	DESCRIPTION	QTY
1	364-69-00-000	PLASTIC PTO GUARD KIT	1	2.1.6	364-72-00-227	AGITATOR BLADE	3
2	364-65-01-000	540 RPM FAN & COVER PLATE	1	2.2	364-67-00-000	COVER PLATE ASSY	1
2.1	364-72-00-000	540 RPM SHAFT & IMP. ASSY - CHT	1	2.2.1	364-67-00-211	HOUSING COVER PLATE	1
2.1.1	364-72-00-226	FAN SHAFT	1	2.2.2	R07774	7/16 x 1 1/4" GR 5 CARRIAGE BOLT	4
2.1.2	364-63-00-209	FAN BACK PLATE	1	2.2.3	R07879	7/16 FLANGE NUT	4
2.1.3	R20238	HARDENED SEAL SLEEVE	1	2.3	357-59-00-000	BEARINGS & HOLDER KIT 2002	1
2.1.4	364-63-00-208	CHT 540 RPM FAN BLADE	4	2.4	R09785	"DANGER ROTATING DRIVELINE"	1
2.1.5	364-72-00-422	FAN BLADE GUSSET	4			DECAL	

1000 RPM FAN, COVER PLATE & BRG KIT

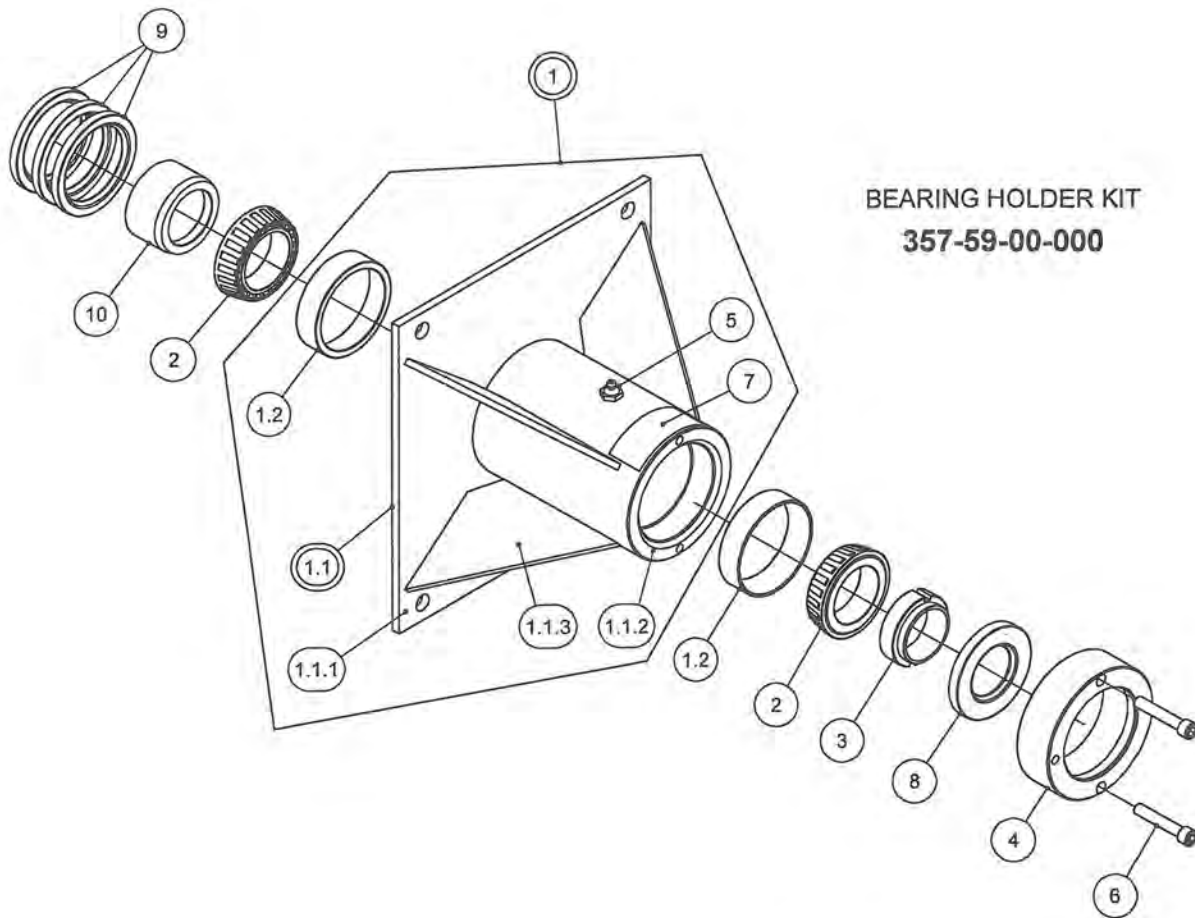
NOTE:
THIS NUMBER IS USED FOR REPLACEMENT KITS ONLY
1000 RPM FAN, COVER PLATE, BEARING KIT, & GUARD 364-66-00-000



1000 RPM FAN & COVER PLATE
364-66-01-000

PARTS LIST				PARTS LIST			
ITEM	PART NUMBER	DESCRIPTION	QTY	ITEM	PART NUMBER	DESCRIPTION	QTY
1	364-69-00-000	PLASTIC PTO GUARD KIT	1	2.1.4	364-64-00-210	CHT 1000 RPM FAN BLADE	4
1.1	R22196	SHEILD CONE ASSY	1	2.1.5	364-72-00-422	FAN BLADE GUSSET	4
1.2	364-00-00-448	GUARD SUPPORT	1	2.1.6	364-72-00-227	AGITATOR BLADE	3
1.3	R07802	5/16 LOCK WASHER	2	2.2	364-67-00-000	COVER PLATE ASSY	1
1.4	R07811	5/16 x 1" HEX BOLT	2	2.2.1	364-67-00-211	HOUSING COVER PLATE	1
2	364-66-01-000	1000 RPM FAN & COVER PLATE	1	2.2.2	R07774	7/16 x 1 1/4" GR 5 CARRIAGE BOLT	4
2.1	364-73-00-000	1000 RPM SHAFT & IMP. ASSY - CHT	1	2.2.3	R07879	7/16 FLANGE NUT	4
2.1.1	364-72-00-226	FAN SHAFT	1	2.3	357-59-00-000	BEARINGS & HOLDER KIT 2002	1
2.1.2	364-63-00-209	FAN BACK PLATE	1	2.4	R09785	"DANGER ROTATING DRIVELINE"	1
2.1.3	R20238	HARDENED SEAL SLEEVE	1			DECAL	

BEARING HOLDER KIT

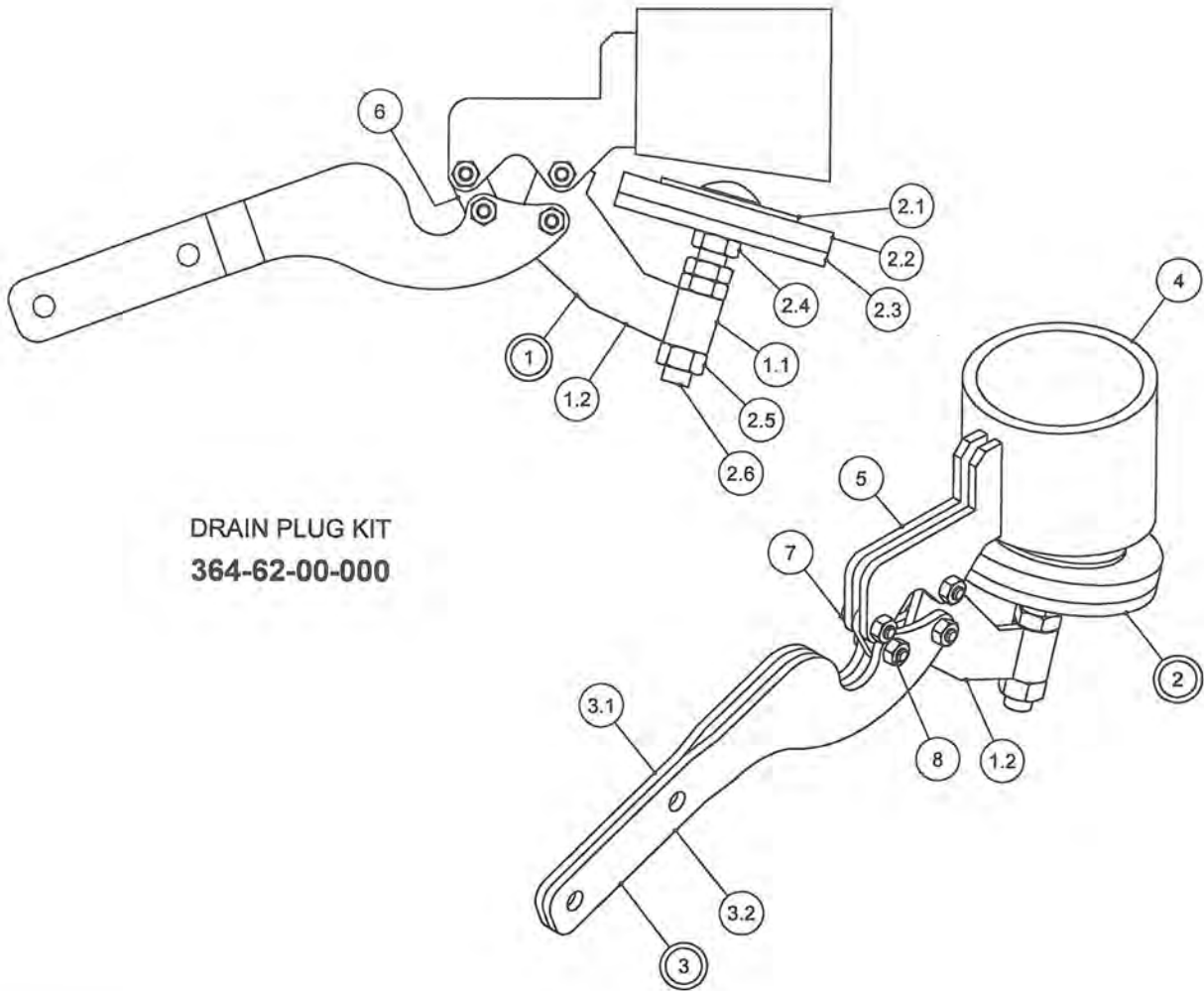


BEARING HOLDER KIT
357-59-00-000

PARTS LIST

ITEM	PART NUMBER	DESCRIPTION	QTY
1	357-59-01-000	BEARING HOLDER w/ CUPS KIT	1
1.1	357-59-02-000	BEARING BOX ASSY	1
1.1.1	364-61-00-192	SEAL TUBE BACK PLATE	1
1.1.2	364-61-00-191	BEARING TUBE	1
1.1.3	357-59-02-289	BEARING BOX GUSSET	4
1.2	R20113	OUTER CUP	2
2	R20115	OUTER CONE	2
3	364-00-00-212	STAKE NUT	1
4	364-00-00-332	SEAL TUBE KIT	1
5	R08188	1/4" NPT STRAIGHT GREASE FITTING	1
6	R08175	5/16 - 18 UNC x 1 3/4" CAP SCREW	2
7	R09787	GREASE DECAL	1
8	R21196	SL LIP SEAL 152833TB 1.5"	1
9	R21197	2.25 x 3.005 x .25 SEAL	3
10	R20238	HARDENED SEAL SLEEVE	1

DRAIN PLUG KIT



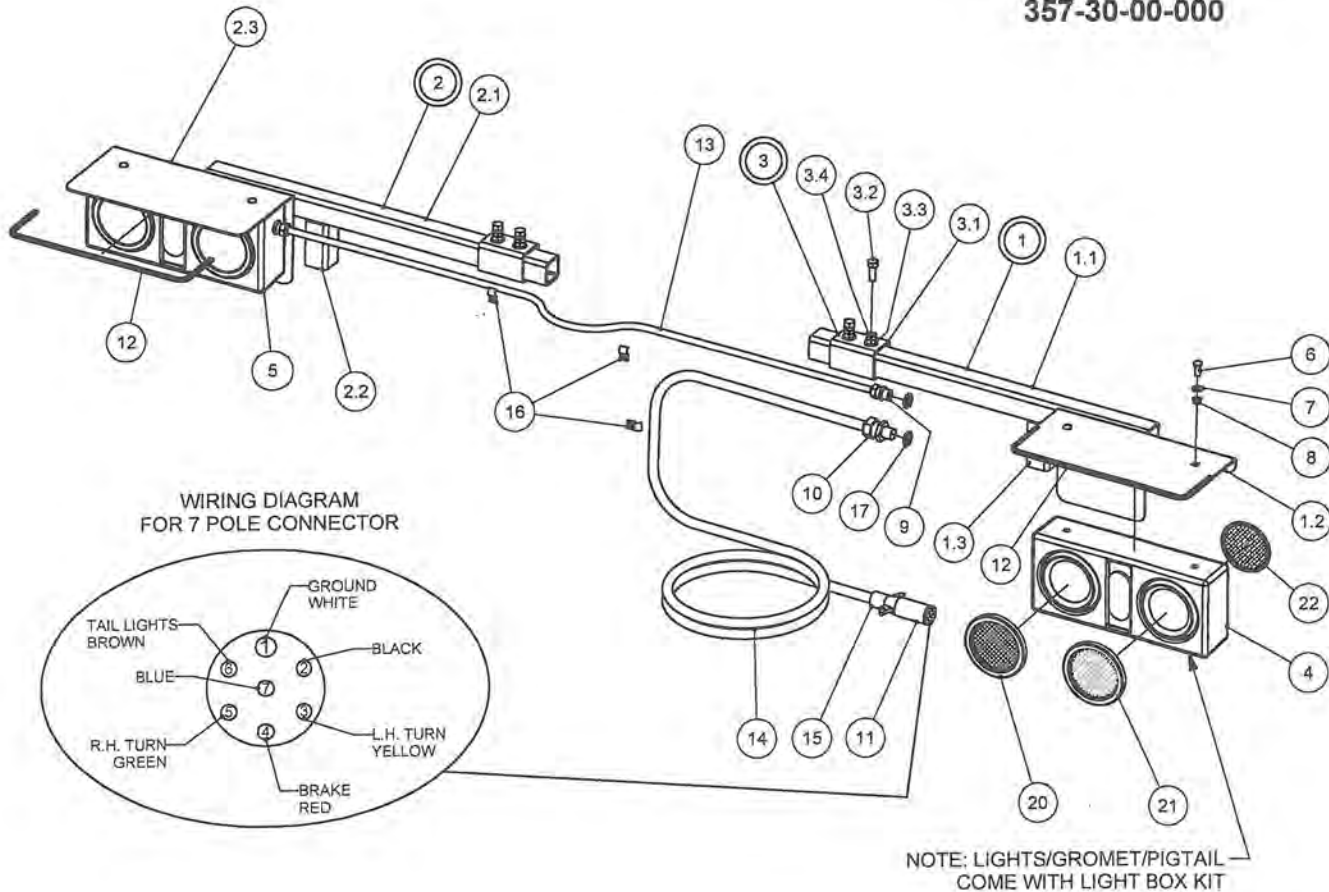
DRAIN PLUG KIT
364-62-00-000

PARTS LIST			
ITEM	PART NUMBER	DESCRIPTION	QTY
1	364-62-01-000	DRAIN PLUG SLEEVE ASSY	1
1.1	364-62-01-201	SLEEVE	1
1.2	364-62-01-200	SLEEVE LINKAGE	1
2	364-62-05-000	DRAIN PLUG REPLACEMENT KIT	1
2.1	364-62-04-370	PLUG WASHER	1
2.2	364-62-02-204	RUBBER PLUG	1
2.3	364-62-02-203	PLUG PLATE	1
2.4	R08046	1/2 - 13 JAM NUT	3
2.5	R07785	1/2 HEX NUT	1
2.6	R08316	1/2 x 3 1/2" FULL THREAD CAR BOLT	1
3	364-62-03-000	HANDLE ASSY	1
3.1	364-62-03-206	LH HANDLE	1
3.2	364-62-03-207	RH HANDLE	1
4	364-01-03-110	DRAIN PIPE	1
5	364-62-00-199	PLUG HOUSING BRKT	2
6	364-62-00-205	SHORT LINKAGE	1
7	R08176	1/4 x 7/8" HEX BOLT	4
8	R08048	1/4" 2 WAY LOCK NUT	4

TAIL LIGHT KIT

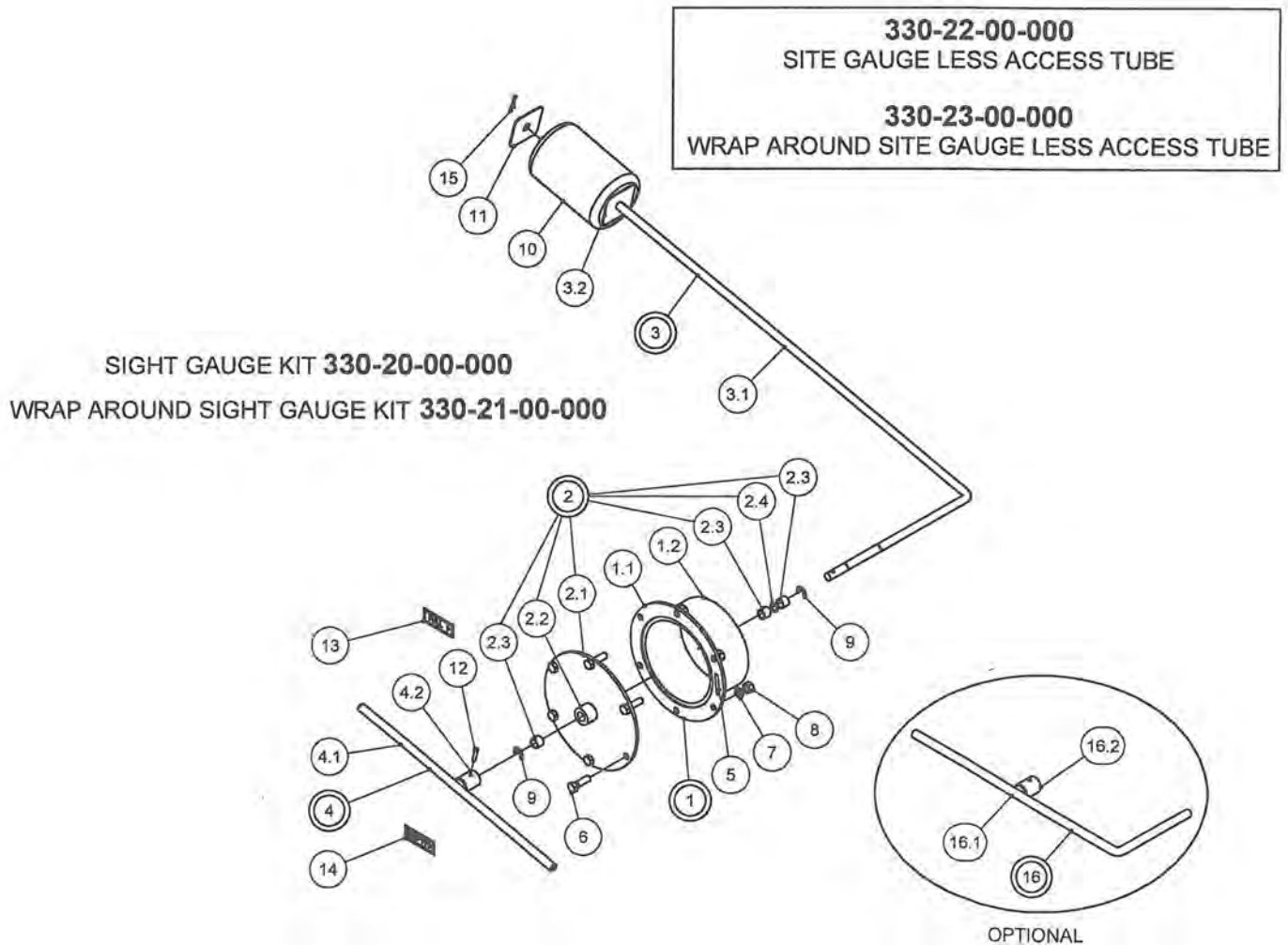
PARTS LIST				PARTS LIST			
ITEM	PART NUMBER	DESCRIPTION	QTY	ITEM	PART NUMBER	DESCRIPTION	QTY
1	357-30-01-000	RH LIGHT BAR ASSY	1	6	R07721	3/8 x 1 CARRIAGE BOLT	4
1.1	357-30-01-171	LIGHT BAR	1	7	R07823	3/8 FLAT WASHER	4
1.2	357-30-01-172	RH LITE BOLT PLATE	1	8	R07794	3/8 FLANGE NUT	4
1.3	357-30-01-173	STUB BAR	1	9	R10193	1/2" NYLON TITE CONNECTOR	2
2	357-30-02-000	LH LIGHT BAR ASSY	1	10	R10357	3/4" NYLON TITE CONNECTOR	1
2.1	357-30-01-171	LIGHT BAR	1	11	R10095	7 POLE CONNECTOR	1
2.2	357-30-01-173	STUB BAR	1	12	357-30-00-311	SAFETY EDGING	2
2.3	357-30-02-245	LH LITE BOLT PLATE	1	13	RO4046	4-WIRE TRAILER CABLE - APPROX. 4M	1
3	357-30-03-000	MOUNT BRKT ASSY	2	14	R04235	14/8 TRAILER CABLE - APPROX. 10.5M	1
3.1	357-30-03-174	MOUNT BRKT	1	15	R09636	RUBBER BOOT	1
3.2	R07674	1/2 x 1 1/4 HEX BOLT	2	16	R21104	HYD. HOSE CLIPS	12
3.3	R07795	1/2" UNC FLANGE NUT	2	17	R10345	1/2" ELECTRICAL BOX LOCK NUT	3
3.4	R08046	1/2 - 13 JAM NUT	2	20	R10087	RED LIGHT KIT	2
4	R10349	RH LAMP BOX w/ 2 LAMPS	1	21	R10347	AMBER LIGHT KIT w/ CLEAR BACK	2
5	R10348	LH LAMP BOX w/ 2 LAMPS	1	22	R10346	AMBER REPLACEMENT LENS	2

TAIL LIGHT KIT 357-30-00-000

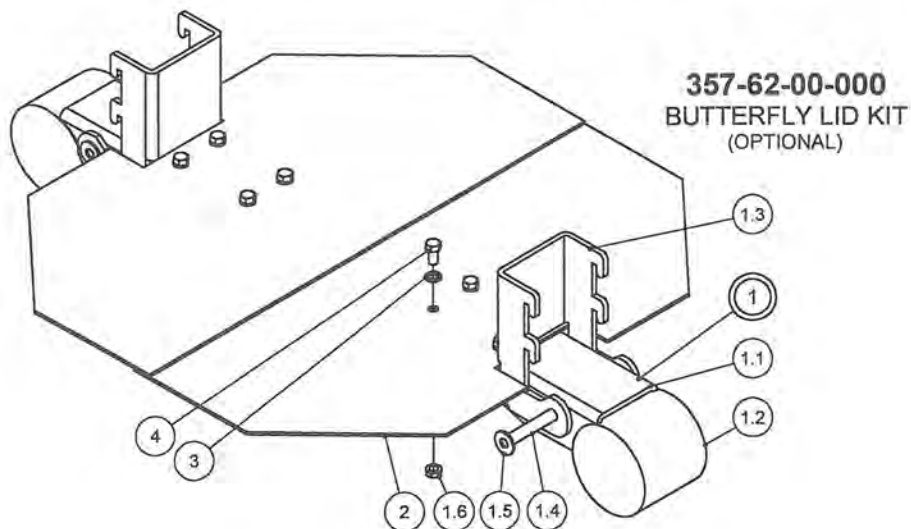


SIGHT GAUGE KIT

PARTS LIST				PARTS LIST			
ITEM	PART NUMBER	DESCRIPTION	QTY	ITEM	PART NUMBER	DESCRIPTION	QTY
1	330-20-03-000	ACCESS TUBE ASSY	1	5	R04100	SILICONE SEALANT	1
1.1	330-20-03-560	ACCESS TUBE FLANGE	1	6	R07675	3/8 x 1 1/4" HEX BOLT	6
1.2	330-20-03-556	ACCESS TUBE	1	7	R07803	3/8 LOCK WASHER	6
2	330-20-04-000	COVER PLATE ASSY	1	8	R07783	3/8 HEX NUT	6
2.1	330-20-00-557	COVER PLATE	1	9	R07974	EXTERNAL RETAINING RING	2
2.2	330-20-04-562	BUSHING HOLDER	1	10	R09524	FLOAT	1
2.3	R21173	1/2 x 5/8 x 1/2" BRONZE BUSHING	3	11	330-20-01-552	FLOAT STRAPS	1
2.4	R20865	O-RING #11-014	1	12	R08241	3/16 x 1 SS ROLL PIN	1
3	330-20-01-000	FLOAT ARM ASSY	1	13	R09529	"FULL" DECAL	1
3.1	330-20-01-551	FLOAT ARM	1	14	R09530	"EMPTY" DECAL	1
3.2	330-20-01-552	FLOAT STRAPS	1	15	R08021	1/8 x 1 S.S. COTTER PIN	1
4	330-20-02-000	INDICATOR ARM ASSY	1	16	330-21-01-000	WRAP AROUND SITE ARM ASSY	1
4.1	330-20-02-554	INDICATOR ARM	1	16.1	330-19-46-546	WRAP AROUND SITE ARM	1
4.2	330-20-02-553	INDICATOR ARM HUB	1	16.2	330-20-02-553	INDICATOR ARM HUB	1



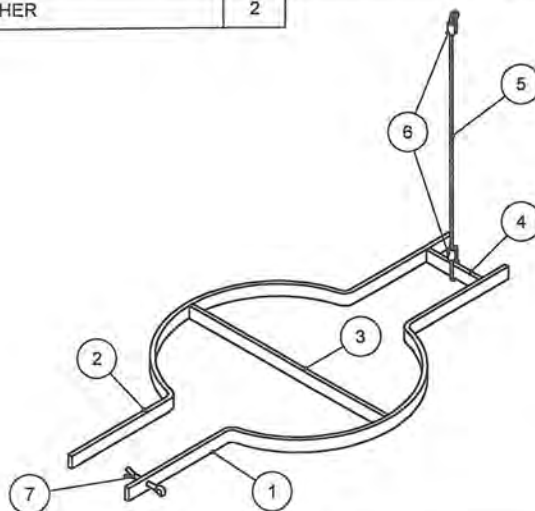
BUTTERFLY LID & SAFETY GRATE



357-62-00-000
BUTTERFLY LID KIT
(OPTIONAL)

NOTE: WITH INSTALLATION OF A BUTTERFLY LID, A SAFETY GRATE MUST BE USED TO LOCK LID IN PLACE

PARTS LIST				PARTS LIST			
ITEM	PART NUMBER	DESCRIPTION	QTY	ITEM	PART NUMBER	DESCRIPTION	QTY
1	357-62-01-000	BUTTERFLY HINGE KIT	2	1.6	R07794	3/8 FLANGE NUT	4
1.1	357-62-01-316	U - CHANNEL HINGE	1	2	357-62-00-318	BUTTERFLY LID	2
1.2	357-62-01-317	COUNTER WEIGHT	1	3	R08319	3/8 S.S. LOCK WASHER	8
1.3	357-62-01-319	DROP-IN HINGE	1	4	R08317	3/8 x 3/4 S.S. HEX BOLT	8
1.4	357-62-01-315	HINGE PIN	1	5	357-62-00-343	OLD STYLE CONVERSION PLATE	2
1.5	R07824	7/16 FLAT WASHER	2				

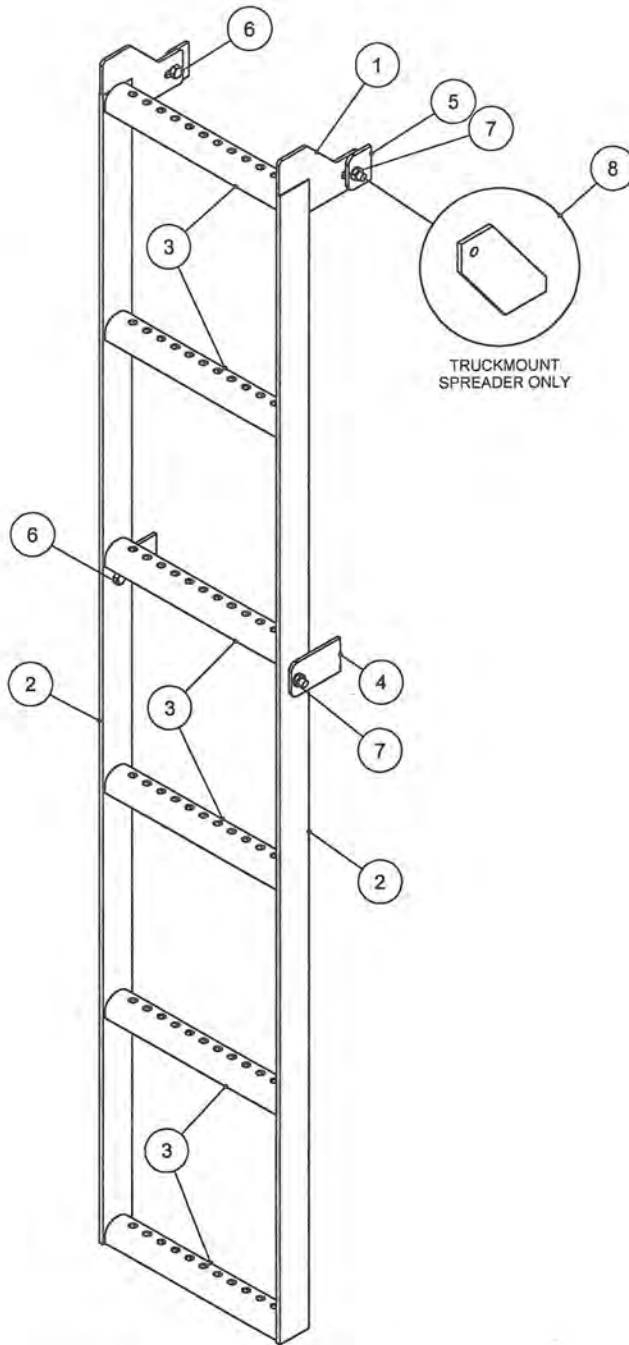


357-63-00-000
SAFETY GRATE ASSY

PARTS LIST			
ITEM	PART NUMBER	DESCRIPTION	QTY
1	357-63-00-320	SAFETY BAR w/ HOLE	1
2	357-63-00-332	SAFETY BAR	1
3	357-63-00-321	CROSS SAFETY BAR	1
4	357-63-00-322	STOP BAR	1
5	357-63-00-331	SAFETY CABLE	1
6	R08068	1/8" ALUMINUM CRIMP SLEEVES	2
7	R08016	1/4 x 2 COTTER PIN	1

LADDER KIT

LADDER KIT
364-95-00-000



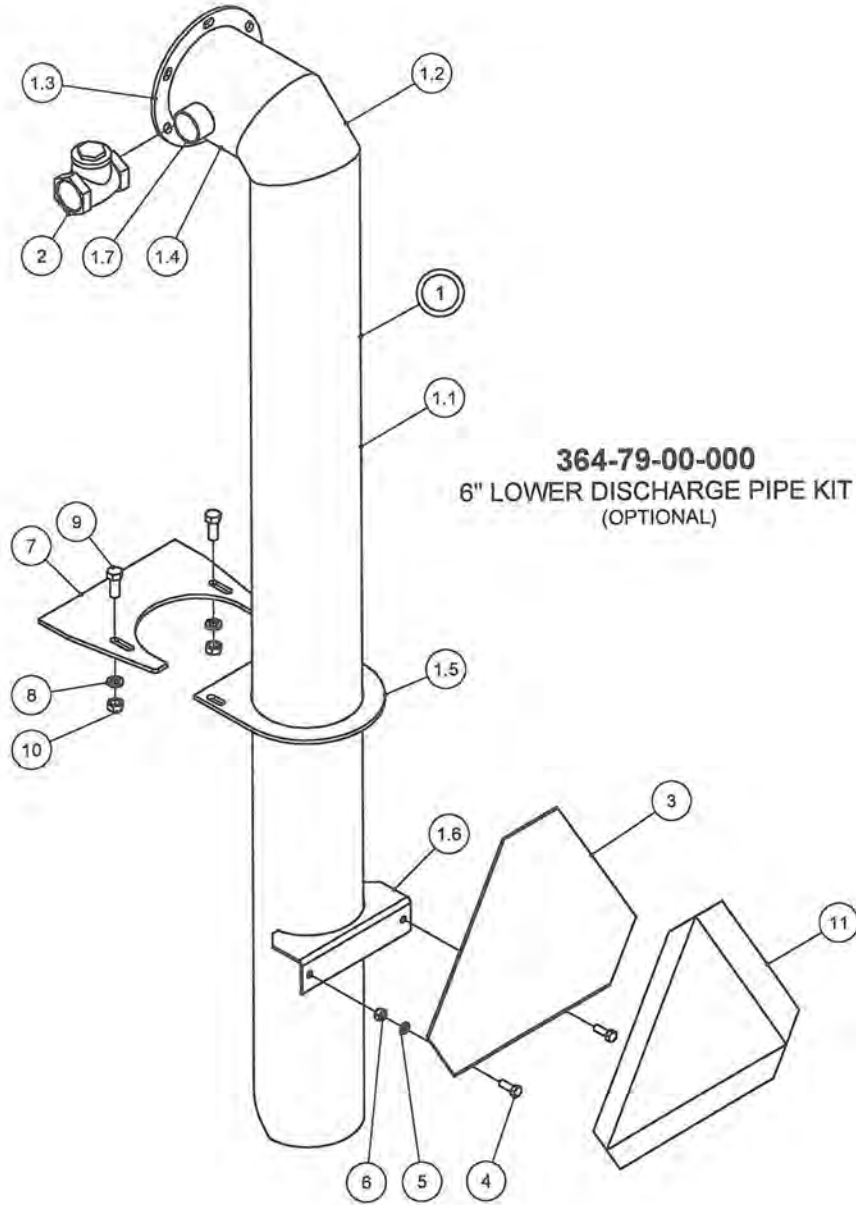
PARTS LIST

ITEM	PART NUMBER	DESCRIPTION	QTY
1	364-95-00-326	LADDER LUG	2
2	364-95-00-325	LADDER SIDE PC	2
3	364-95-00-324	LADDER RUNG	6
4	364-00-00-414	TANK LUG	2
5	364-95-00-327	UPPER TANK LUG	2
6	R07619	3/8 x 1 HEX BOLT	4
7	R07794	3/8 FLANGE NUT	4
8	384-00-00-216	LADDER BRKT	1

SLIDE LID KIT CON'T

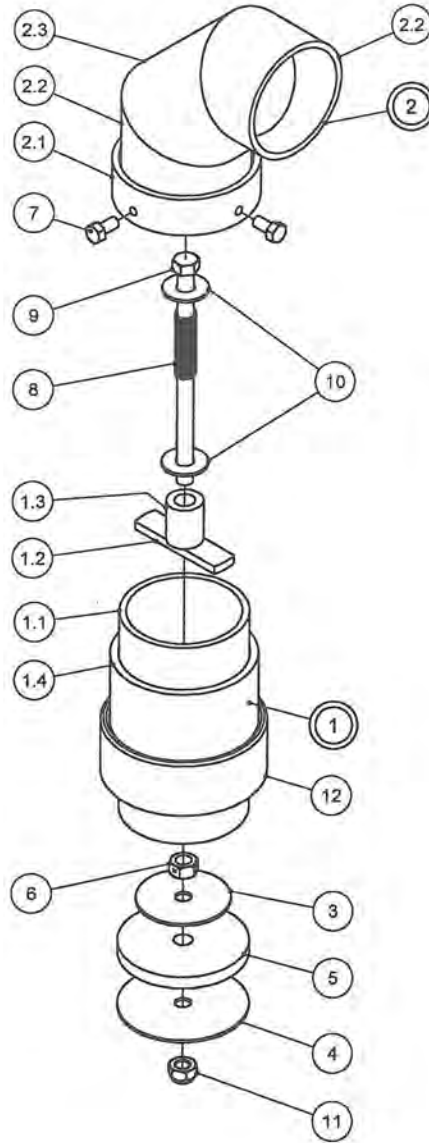
PARTS LIST			
ITEM	PART NUMBER	DESCRIPTION	QTY
1	357-45-01-000	MANHOLE ASSY	1
1.1	357-45-01-204	FRONT LOWER PANEL	1
1.2	357-45-01-205	FRONT UPPER PANEL	1
1.3	357-45-01-202	SIDES	2
1.4	357-45-01-203	REAR PANEL	1
1.5	357-45-01-257	SIDE LOWER GUIDE BARS	2
1.6	357-45-01-206	SIDE UPPER GUIDE BARS	2
1.7	357-45-01-207	REAR GUIDE BAR	2
2	357-45-02-000	RH SLIDE RAIL ASSY	1
2.1	357-45-02-209	SLIDE RAIL	1
2.2	357-45-02-210	SLIDE RAIL LEG	1
2.3	357-45-01-208	LOWER GUIDE	2
(3)	357-45-05-000	LID ASSY - AIR	*
3	357-45-03-000	LID ASSY - HYDRAULIC	1
3.1	357-45-03-213	SLIDE LID	1
3.2	357-45-03-214	SLIDE LID LUG	1
(3.2)	357-45-05-242	SLIDE LID LUG - AIR	*
4	357-45-04-000	LH SLIDE RAIL ASSY	1
4.1	357-45-02-209	SLIDE RAIL	1
4.2	357-45-02-210	SLIDE RAIL LEG	1
4.3	357-45-01-208	LOWER GUIDE	2
(5)		AIR CYLINDER	*
(6)	357-45-06-000	TANK LUG ASSY FOR AIR CYLINDER	*
6	357-45-07-000	TANK LUG ASSY FOR HYD CYLINDER	1
6.1	368-54-02-425	CYLINDER BRKT BASE PLATE	1
6.2	357-45-07-254	TANK LUG FOR HYD CYLINDER	1
(6.2)	357-45-06-243	TANK LUG FOR AIR CYLINDER	*
7	357-45-09-000	SAFETY GRATE ASSY	1
7.1	357-45-08-000	SAFETY BAR ASSY	1
7.1.1	357-45-08-274	SAFETY BAR	1
7.1.2	R08320	1/2 S.S. FLAT WASHER	1
7.2	357-45-08-274	SAFETY BAR	2
7.3	357-45-09-314	SAFETY RING	1
8	357-45-00-211	STRAP	1
9	357-45-00-212	RUBBER	1
10	R07611	5/16 x 1" HEX BOLT	5
11	R07782	5/16 HEX NUT	5
12	R07802	5/16 LOCK WASHER	5
13	R08207	5/32 x 1 1/2 S.S. COTTER PIN	3
20	R22162	2 x 24 HYDRAULIC CYLINDER	1

LOWER DISCHARGE PIPE KIT



PARTS LIST				PARTS LIST			
ITEM	PART NUMBER	DESCRIPTION	QTY	ITEM	PART NUMBER	DESCRIPTION	QTY
1	364-79-01-000	6" DROP PIPE ASSY	1	3	200-00-00-132	S.M.V. SIGN HOLDER	1
1.1	364-79-01-295	LONG DROP PIPE	1	4	R07619	3/8 x 1 HEX BOLT	2
1.2	364-19-00-082	DISCHARGE PIPE CORNER PC	1	5	R07803	3/8 LOCK WASHER	2
1.3	364-19-00-087	DISCHARGE PIPE FLANGE	1	6	R07783	3/8 HEX NUT	2
1.4	364-79-01-296	SHORT HORIZONTAL PIPE	1	7	384-05-03-070	TANK BRKT	1
1.5	384-05-02-069	TUBE ATTACHMENT BRKT	1	8	R07805	1/2 LOCK WASHER	2
1.6	308-77-00-226	S.M.V. SIGN HOLDER	1	9	R07674	1/2 x 1 1/4 HEX BOLT	2
1.7	R02127	1 1/2 CLOSE NIPPLE	1	10	R07785	1/2 HEX NUT	2
2	R02490	1 1/2" CHECK VALVE	1	11	R09501	SLOW MOVING VEHICLE DECAL	1

TANK VENT KIT

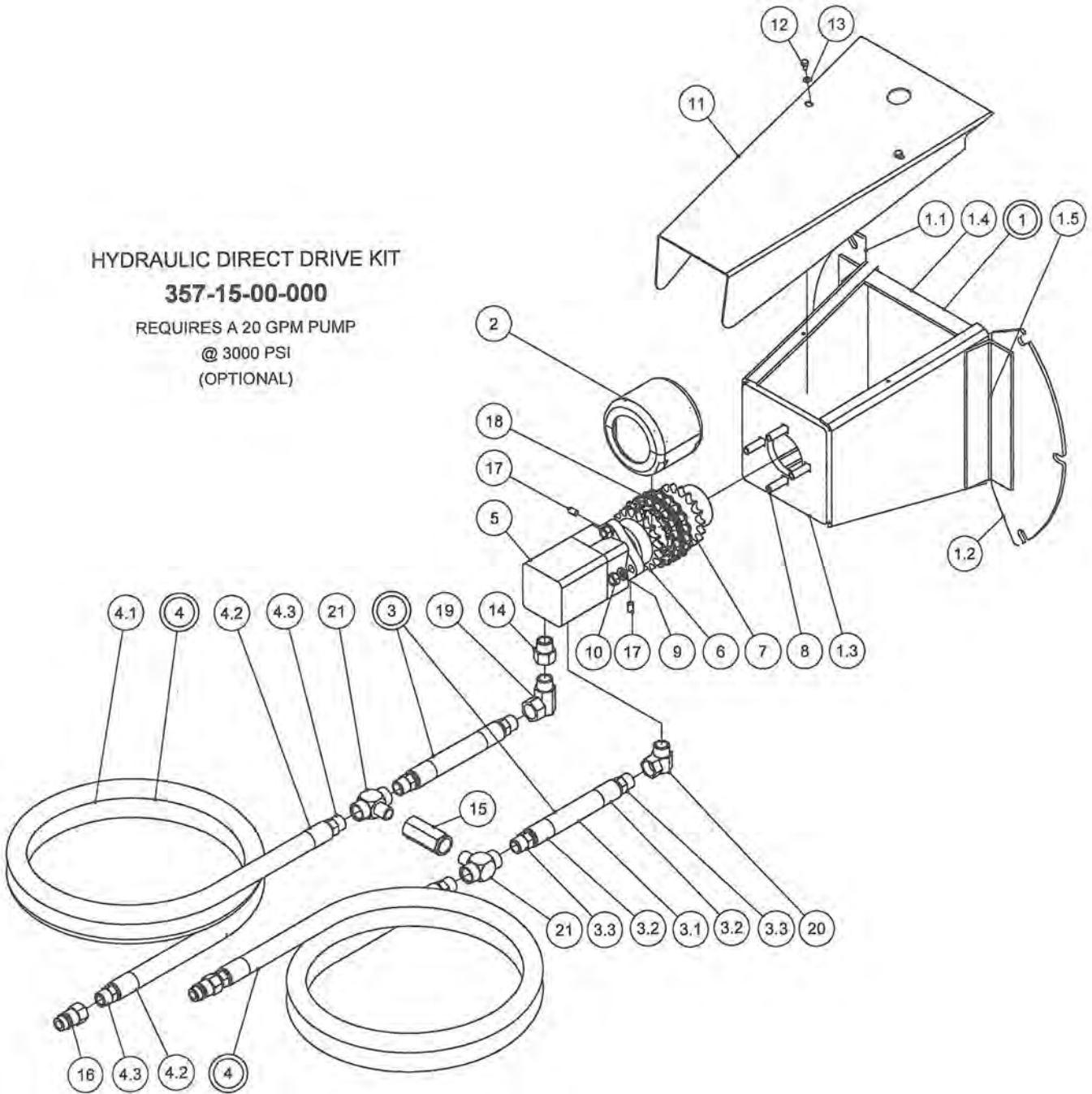


TANK VENT KIT
357-51-00-000
(OPTIONAL)

PARTS LIST				PARTS LIST			
ITEM	PART NUMBER	DESCRIPTION	QTY	ITEM	PART NUMBER	DESCRIPTION	QTY
1	357-51-01-000	VENT TUBE ASSY	1	4	357-51-00-258	LOWER STAINLESS STEEL WASHER	1
1.1	357-51-01-246	VENT TUBE	1	5	357-51-00-334	RUBBER PLUG	1
1.2	357-51-01-247	VENT STRAP	1	6	R07891	7/16 2-WAY LOCK NUT	1
1.3	357-51-01-248	INNER SLIDE TUBE	1	7	R07690	5/16 x 5/8 HEX BOLT	2
1.4	357-51-01-335	OUTER NIPPLE	1	8	357-51-00-249	SPRING	1
2	357-51-02-000	CAP ASSY	1	9	R07689	7/16 x 7 HEX BOLT	1
2.1	357-51-02-251	SLEEVE	1	10	R07833	7/16" SAE FLAT WASHER	2
2.2	357-51-02-252	ELBOW SECTION	2	11	R08178	7/16 NYLOCK HEX NUT	1
2.3	357-51-02-253	ELBOW MIDDLE SECTION	1	12	R02989	3 1/2" HALF COUPLER	1
3	357-51-00-250	STAINLESS STEEL WASHER	1				

HYDRAULIC DIRECT DRIVE KIT

HYDRAULIC DIRECT DRIVE KIT
357-15-00-000
REQUIRES A 20 GPM PUMP
@ 3000 PSI
(OPTIONAL)

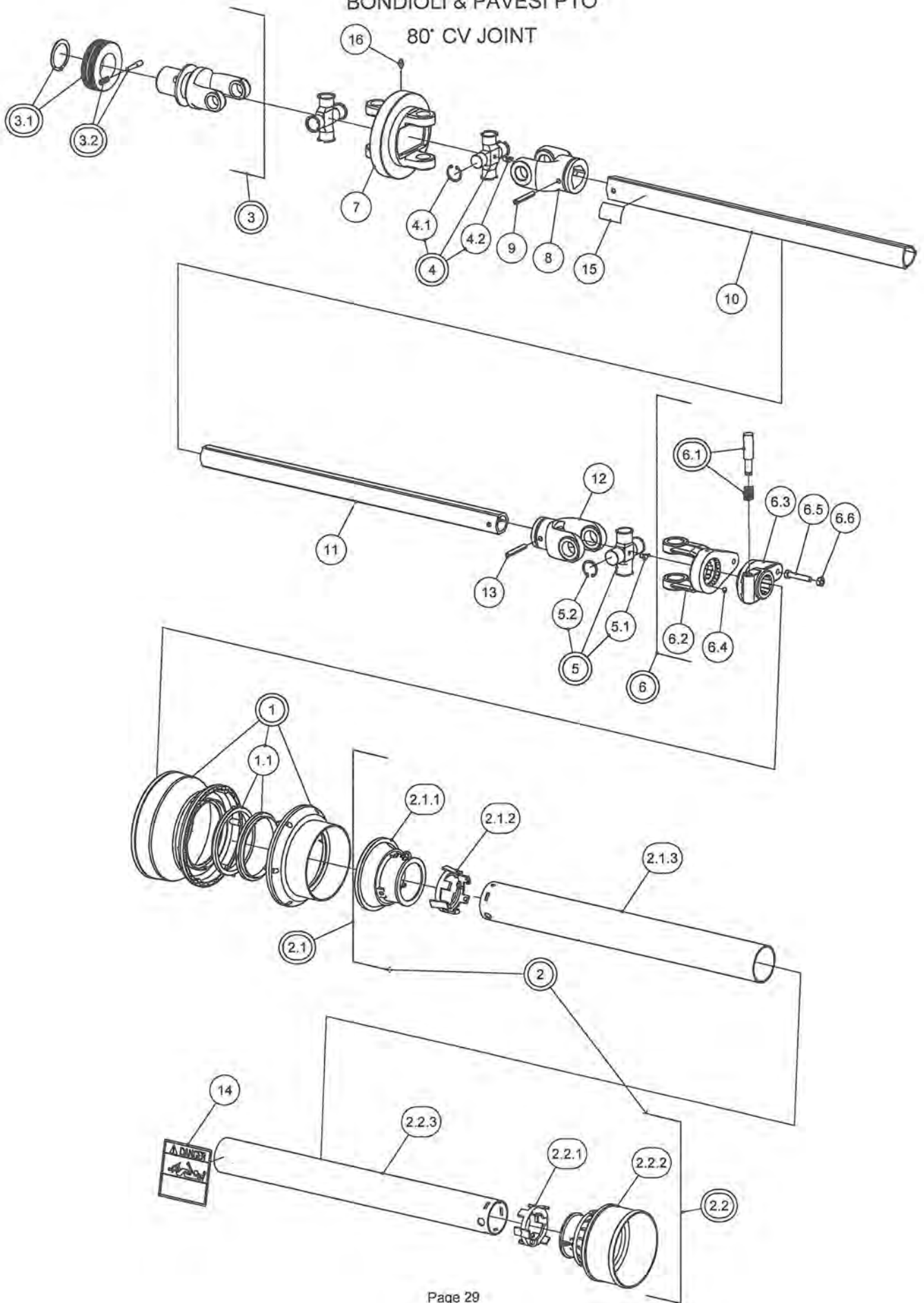


HYDRAULIC DIRECT DRIVE KIT CON'T

PARTS LIST			
ITEM	PART NUMBER	DESCRIPTION	QTY
1	384-02-01-000	DIRECT HYD DRIVE MOUNT PL ASSY	1
1.1	384-02-01-002	R.H. EXTENSION PLATE	1
1.2	384-02-01-003	L.H. EXTENSION PLATE	1
1.3	384-02-01-004	MOTOR MOUNT PLATE	1
1.4	384-02-01-012	REINFORCING STRAP	2
1.5	384-18-01-275	REINFORCING ANGLE	2
2	R20617	60 - 18 COUPLING COVER	1
3	364-48-32-000	3/4" HYD HOSE ASSY	2
3.1	364-48-32-187	3/4" HYD HOSE ASSY	1
3.2	R20824	3/4" FERRULE	2
3.3	R21241	3/4" MALE SOLID STEM	2
4	364-48-24-000	3/4" HYD HOSE ASSY	2
4.1	364-48-24-163	3/4" HYDRAULIC HOSE	1
4.2	R20824	3/4" FERRULE	2
4.3	R21241	3/4" MALE SOLID STEM	2
5	R21422	MS160 HYDRAULIC MOTOR	1
6	384-02-00-007	60B - 18 SPR.-1 1/4" STR SHAFT	1
7	384-02-00-072	SPROCKET FOR 6 TOOTH SPLINE	1
8	R07744	1/2" x 2 CARRIAGE BOLT	4
9	R07805	1/2 LOCK WASHER	4
10	R07785	1/2 HEX NUT	4
11	384-02-00-005	GUARD	1
12	R07698	1/4 x 1/2 HEX BOLT	2
13	R07801	1/4 LOCK WASHER	2
14	R20815	7/8-14 SAE M x 3/4" ADAPTOR	1
15	R21202	3/4" NPT IN-LINE CHECK VALVE	1
16	R21338	3/4" PIONEER TIP	2
17	R07911	3/8 x 3/4" SET SCREW	2
18	R20883	60-18 COUPLING CHAIN	1
19	R21332	3/4M x 3/4F NPT 90 SWIVEL ADAPTOR	1
20	R21323	7/8" x 3/4" NPT SWIVEL ADAPTOR	1
21	R21393	3/4" HYDRAULIC TEE	2

BONDIOLI & PAVESI PTO

80° CV JOINT

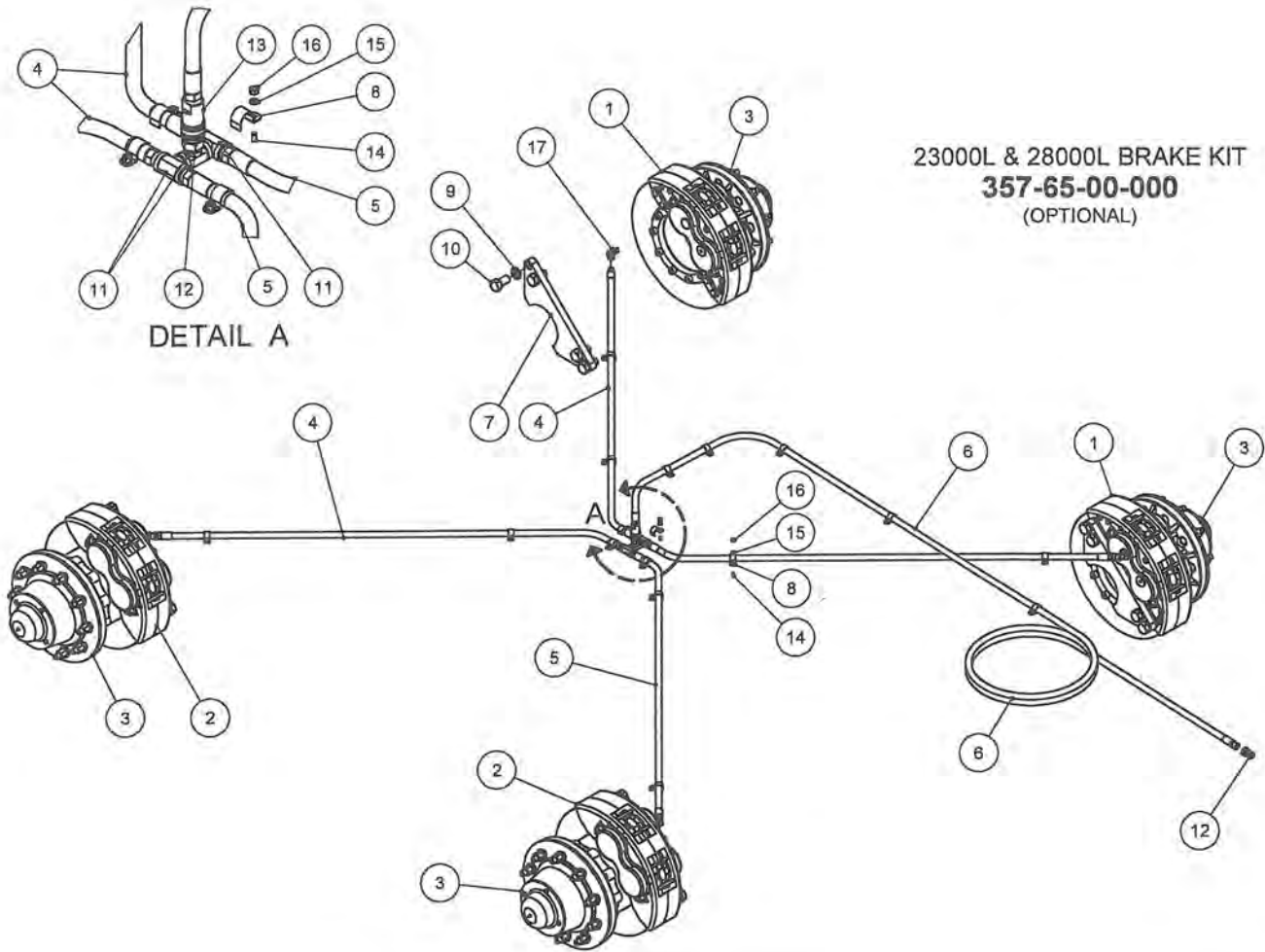


BONDIOLI PAVESI PTO
80 deg CV JOINT - FOR LONG TONGUE
(ELITE, SLIM LINE SPREADERS)

R21582 540 RPM 6 TOOTH
R21583 1000 RPM 21 TOOTH
R21584 1000 RPM 20 TOOTH

ITEM	MFG #	PART #	DESCRIPTION	QTY
1	517048001	R21703	COMPLETE SHELL	1
1.1	255040351	R21702	RING NUT DOWELS	2
2	5F04121E1654	R22182	SAFETY GUARD	1
2.1	5FE4121E1654	R22180	HALF SAFETY GUARD	1
2.1.1	254040024	R21697	O. BASIC CONES N3-4	1
2.1.2	255040005	R21696	O. BEARING 3-4	1
2.1.3	236681007	R22179	CM SAFETY TUBE	1
2.2	5F14121FF	R22181	HALF SAFETY GUARD	1
2.2.1	255040006	R21701	I. BEARING 3-4	1
2.2.2	517040061	R21700	I. CONE SET N3-4	1
2.2.3	236671007	R22178	CM SAFETY TUBE	1
3	573043875	R21712	1 3/4" - 20 T YOKE 1000 RPM	*
	573040375	R21681	YOKE w/ BRIDGE 540 RPM	1
	573043775	R21680	YOKE w/ BRIDGE 1000 RPM	*
3.1	240080061	R21670	HUB	1
	240040061	R21670	HUB FOR 1 3/4" 20T	*
3.2	403000001	R21669	COMPLETE PUSH BUTTON	1
4	412040012	R21682	CROSS JOURNAL ASSY	2
4.1	338009000	R21613	CIRCLIP	4
4.2	348004000	R21655	GREASE NIPPLE 45 DEG	1
5	41204	R21693	CROSS JOURNAL ASSY	1
5.1	348004000	R21655	GREASE NIPPLE 45 DEG	1
5.2	338017000	R21694	CIRCLIP	4
6	606404001	R21473	TORQUE LIM SB 4/4	1
6.1	401000001	R21451	COMPLETE PUSH BUTTON	1
6.2	213040020	R21704	SHEAR YOKE	1
6.3	513070324	R21706	HUB c/w QUICK DISCONNECT	1
6.4	362002000	R21705	1/4" BALL	23
6.5	432000047	R08251	M8 x 1.25 x 45 HEX BOLT	1
6.6		R08252	M8 x 1.25 LOCK NUT	1
7	511040051	R21685	CENTRAL BODY	1
8	215046854	R21686	YOKE	1
9	341038000	R21475	FLEXIBLE PIN	1
10	225311060	R22177	CARDAN TUBE	1
11	245101060	R22176	CARDAN TUBE CM	1
12	204046852	R21472	INNER TUBE YOKE	1
13	341048000	R21476	FLEXIBLE PIN	1
14		R21521	"ROTATING DRIVE LINE" DECAL	1
15		R21523	"SHIELD MISSING" DECAL	1
16	348017000	R21687	GREASE NIPPLE	1

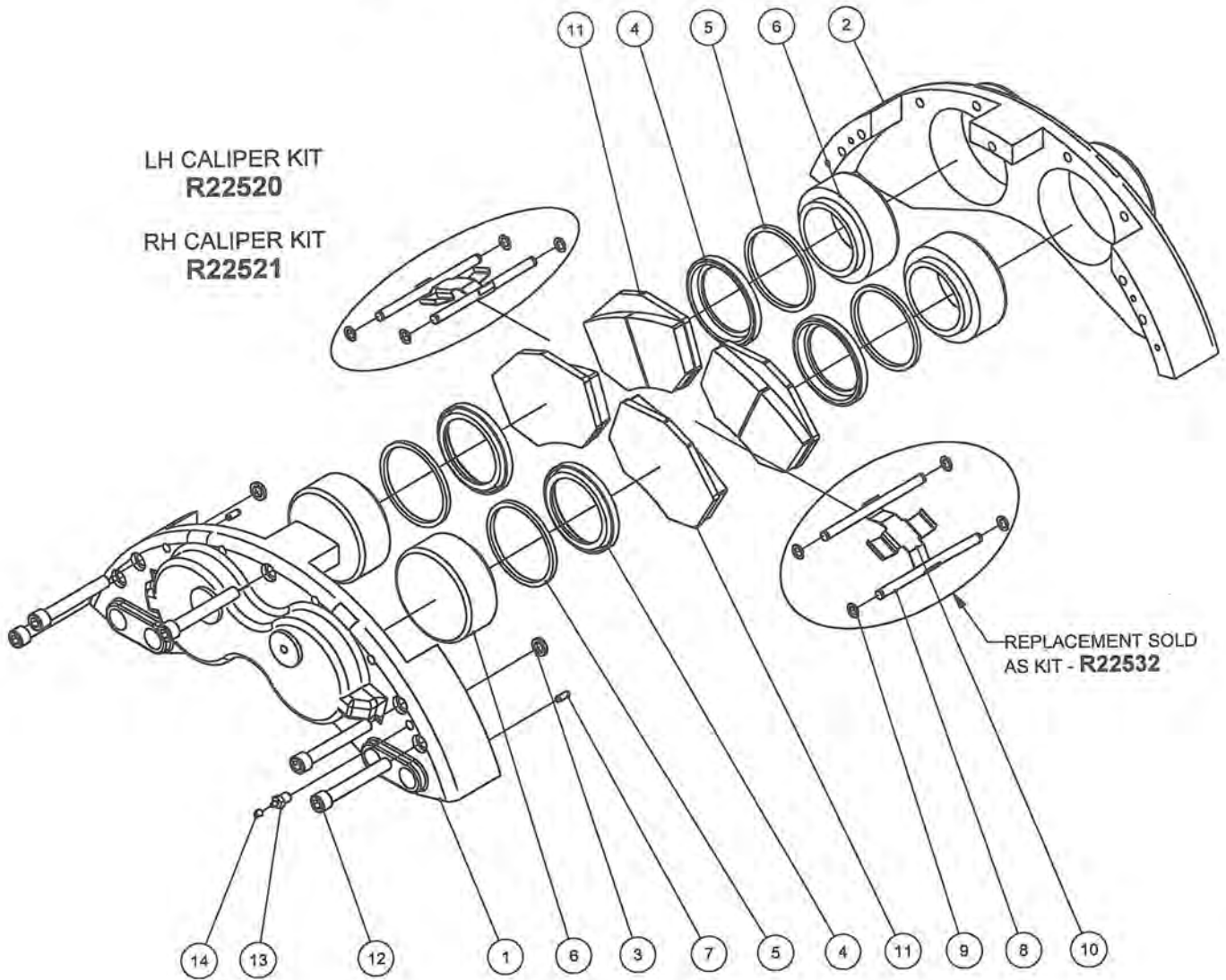
23000L & 28000L BRAKE KIT



23000L & 28000L BRAKE KIT
357-65-00-000
 (OPTIONAL)

PARTS LIST			
ITEM	PART NUMBER	DESCRIPTION	QTY
1	R22520	KNOTT LH CALIPER ASSY	2
2	R22521	KNOTT RH CALIPER ASSY	2
3	357-65-01-000	HUB,SPACER & DISC KIT-25000	4
4	357-65-03-000	1/2" REAR BRAKE HOSE ASSY	2
5	357-65-04-000	HYDRAULIC BRAKE HOSE ASSY-FRONT	2
6	357-65-05-000	MAIN BRAKE LINE ASSY-1/2" TO TRACTOR	1
7	357-00-00-313	KNOTT BRAKE MT PLATE-25000LB HUB	4
8	R09778	3/4 DIAMETER STRAP	17
9	R07808	1" LOCK WASHER	16
10	R07661	1"-8 UNC X 2" HEX BOLT	16
11	R21217	1/2" HYD TEE - F x F x M	3
12	R21342	1/2" MALE PIONEER TIP	2
13	R21340	1/2" FEMALE PIONEER END	1
14	R08301	1/4 x 20 UNC x 1/2" WELD STUD	17
15	R07801	1/4 LOCK WASHER	17
16	R07781	1/4 HEX NUT	17
17	R21212	9/16"SAE X 1/2"NPT SW ADAPTOR	4

KNOTT - 4X85 HYDRAULIC FIXED CALIPER



LH CALIPER KIT
R22520

RH CALIPER KIT
R22521

REPLACEMENT SOLD
AS KIT - R22532

PARTS LIST				
ITEM	PART NUMBER	KNOTT PART #	DESCRIPTION	QTY
1	NOT SOLD SEPARATELY	850126-011/012	CALIPER HOUSING A, MACHINED	1
2	NOT SOLD SEPARATELY	850184-010	CALIPER HOUSING B, MACHINED	1
3	R22557	850191-010	SEAL,SQUARE,CALIPER	2
4	R22552	35385	DUST RING	4
5	R22551	35383.02	SEAL,SQUARE,PISTON	4
6	R22561	850153-020	PISTON	4
7	R22564	850150-010	DOWEL PIN	2
8	NOT SOLD SEPARATELY	800506-010	RETAINER ROD	4
9	NOT SOLD SEPARATELY	850173-010	FASTENER E-CLIP	8
10	NOT SOLD SEPARATELY	850143-020	SPRING PAD	2
11	R22523	850181-010	BRAKE PAD	4
12	R08415	850132-040	FASTENER, SOCKET HEAD CAP SCREW	5
13	R22562	45559	BLEEDER	1
14	R22563	44129.02	BLEEDER CAP	1

HUSKY FARM EQUIPMENT LIMITED
ALMA, ON N0B 1A0
PHONE: (519) 846 - 5329
FAX: (519) 846 - 9378

5 YEAR AXLE WARRANTY

Husky Farm Equipment Limited will guarantee for 5 years from date of invoice, all Manure Spreader undercarriages and axle assemblies, if used on a farm for farm purposes.

Husky will replace free of charge:

1. Any part of the axle which should break or collapse through overload.
2. Any spindles or hub which should break.
3. Any wheel and rim assemblies which should fail.

Exempt from extended warranty are:

1. Bearings and tires which are covered under normal warranty and do require maintenance to avoid failure.
2. Spindles damaged through bearing failure.
3. Wheel or rim damage resulting from owner failing to keep wheel bolts tight.
4. 23000 Litre (6000 US Gal) is not covered because it is custom built.

To qualify for extended warranty, damaged parts must be returned to Husky Farm Equipment Limited, prepaid, along with serial number and copy of the original invoice.

All parts supplied by Husky on warranty, will be shipped freight collect. Extended warranty covers damaged parts only and does not cause liability on Husky for any damage resulting from such failure.

TEN YEAR WARRANTY AGAINST RUSTOUT

Husky Farm Equipment provides a 10 year warranty against premature perforation (rustout) of any liquid manure spreader manufactured later than Jan. 1987. Providing the manure spreader is used for manure or sludge and not for chemical products.

Extended warranty is pro rated and will be paid only through the crediting off of the then current list price of a replacement manure spreader that portion of the warranty not used up in time.

Warranty will be effective toward replacing spreader only and no cash payments will be made. It will be understood that the original equipment to be replaced will then become the property of Husky Farm Equipment.

This extended warranty will be effective through Husky Farm Equipment factory or factory outlet only, copy of the original invoice to be supplied along with the serial number. This warranty will not be effective for commercial custom haulers or to owners other than the original.

Transportation to and from the factory to be paid for by the owner of the equipment and not by Husky Farm Equipment.