

Date Purchased \_\_\_\_\_ Machine Serial No. \_\_\_\_\_

Size of Spreader \_\_\_\_\_ Options \_\_\_\_\_

The key number system in this parts book is arranged as follows:

- ⊙ - Key numbers with two circles denotes main assemblies.
- - Key numbers with one circle are individual parts

Please order parts by number



**23000L ELITE SPREADER ▪ 357-00-00-000**

**OPERATING INSTRUCTIONS:**

1. Heed all warnings.
2. Minimum HP requirements to safely operate on level terrain, on hilly terrain HP should be increased.

4500L .....	70 HP
7000L .....	85 HP
9000L .....	95 HP
12000L .....	110 HP
14000L .....	130 HP
15000L .....	140 HP
18000L .....	160 HP
23000L .....	200 HP
28000L .....	250 HP

3. If machine is equipped with hydraulic brakes that are operated from the tractor hydraulics, they will not work should the tractor motor stop. Inspect brakes before each use. Brakes must be bled before initial use unless installed at factory. When releasing brakes the tractor hydraulic lever must be put in the opposing position to release pressure. Do not put in float position they will not release.
4. Tractor PTO spline must be approximately 14" (355mm) from end of compressed PTO for proper adjustment
5. Hitch tanker to tractor with minimum 1-1/2" (38mm) hardened hitch pin with a safety lock. Use two - 14,000 Lbs safety chain from spreader to tractor. (4:1 Safety factor on the chain minimum)
6. Do not use tongue stand to support loaded spreader. Put jack in storage position before using.
7. When hooking PTO to tractor make sure motor is stopped. Make sure QD (Quick Disconnect) safety locking pin is in locked position before using.
8. Clean off hose ends before plugging into tractor hydraulics. If spreader is equipped with hydraulic drive on spreading attachment, make sure tractor has sufficient oil flow and pressure to maintain satisfactory spread pattern, if not use another tractor.



## OPERATING INSTRUCTIONS continued:

9. After using spreader in freezing conditions make sure impeller housing is drained.
10. Wash tank inside and out each time work is finished. This will increase the life of the tank by many years. See item 6 of Safety instructions
11. Do not drive on public roads after dusk unless equipped with lights required by Department of Transportation in your area.
12. Remove wheels annually and grease wheel bearings.
13. Because manure smells, many farmers have made unfriendly neighbours. If in a residential area a manure injector is a recommended option to bury the smell.
14. Much of the fertilizer value of manure is lost when exposed to air. Getting the manure covered quickly is a very important part of spreading manure.
15. If rustproof coating on interior shows signs of deterioration, have interior repainted. This can be done with a roller or brush. This helps to increase the life of your spreader. It is a valuable maintenance procedure.

## SAFETY INSTRUCTIONS:

Do not operate this machine until you fully understand the safe operating practices.

1. Make sure all moving parts are shielded to prevent coming in contact with loose clothing.
2. Keep children clear; do not let children or any person(s) ride the spreader at anytime.
3. Do not support loaded spreader on tongue jack.
4. Keep tire pressure to recommended pressure at all times. Recommended tire pressure being:

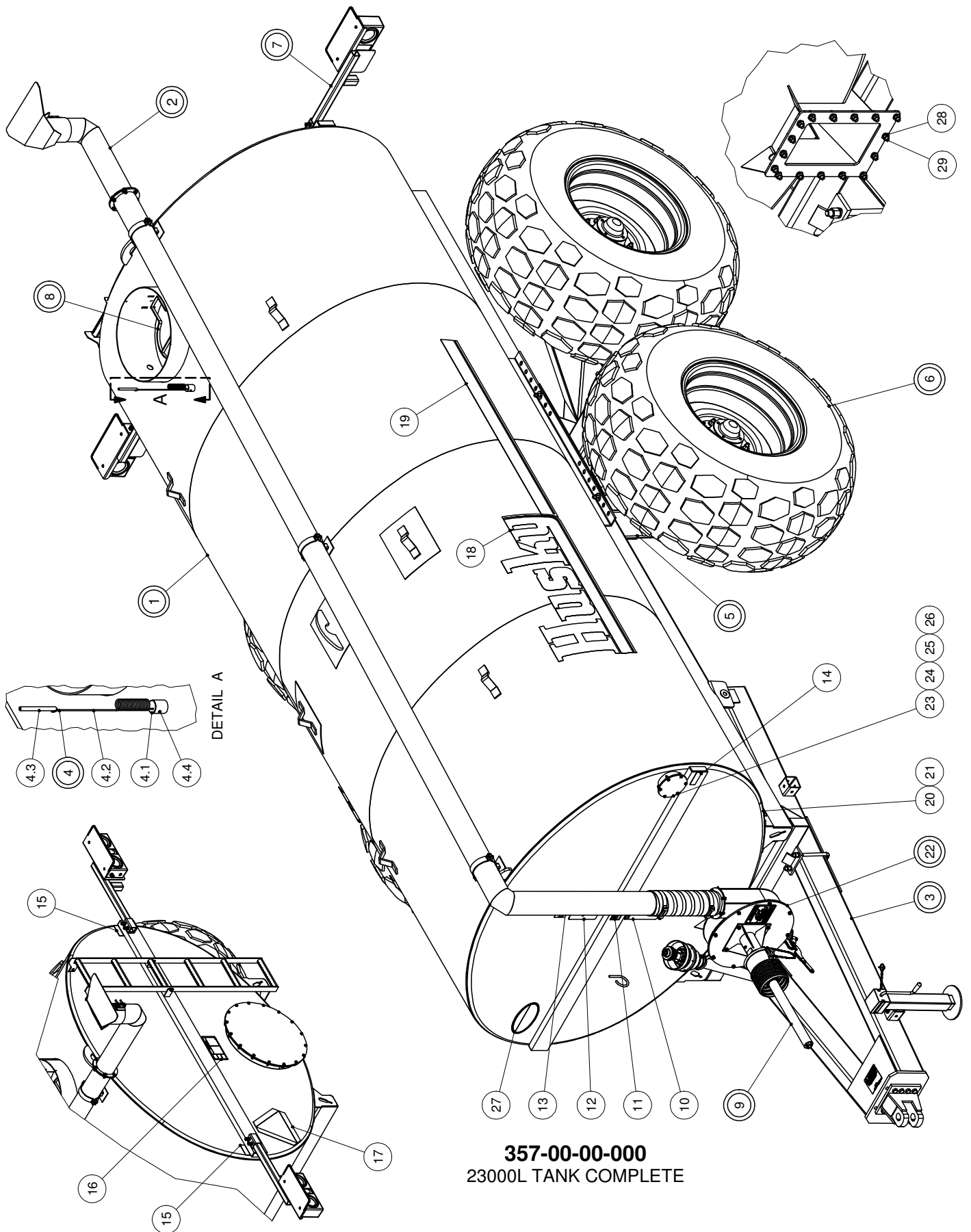
Size	Description	PSI	KPA
40 x 14	Airplane Tires	55	379
44 x 16	Airplane Tires	55	379
47 x 18 x 18	Airplane Tires	55	379
50 x 20 x 20	Airplane Tires	55	379
16.5L x 16.1	Implement Tires	35	241
21.5L x 16.1	Implement Tires	35	241
18.4L x 26	Turf Tires	30	207
23.1L x 26	Turf Tires	24	166
28L x 26	Turf Tires	24	166
30.5L x 32	Turf Tires	35-40	241
35.5L x 32	20 ply Turf Tires	35	241
18L x 22.5	Truck Tires	65	448
23.5L x 25	Loader Dozer Tires	55	379

5. Keep wheel bolts torqued to the recommended torque at all times. (Check Daily)

Wheel Bolt Size	Ft/Lbs Torque (Dry)	Ft/Lbs. - Oiled	Meter/Kg - Torque Dry	Meter/Kg - Oiled
9/16 – 18 NF GR. 5	120	90	16.59	12.44
5/8 – 18 NF GR. 8	240	180	33.18	24.89
3/4 – 16 NF GR. 8	420	310	58.07	42.86

6. Never enter a tanker without special breathing equipment to supply oxygen. Manure gases can kill instantly. One breath of Hydrogen Sulphide can kill.
7. When repairing hydraulic hoses, always relieve pressure in hose. Always wear safety glasses while working on spreader.
8. Caution – disc brakes will not release until valve lever is held momentarily in opposite position. This will relieve pressure in brake line. Do not put in float position, they will not release. (Rule does not apply to Husky Manure Spreaders equipped with a Knott Brake System)

# 23000L TANK COMPLETE

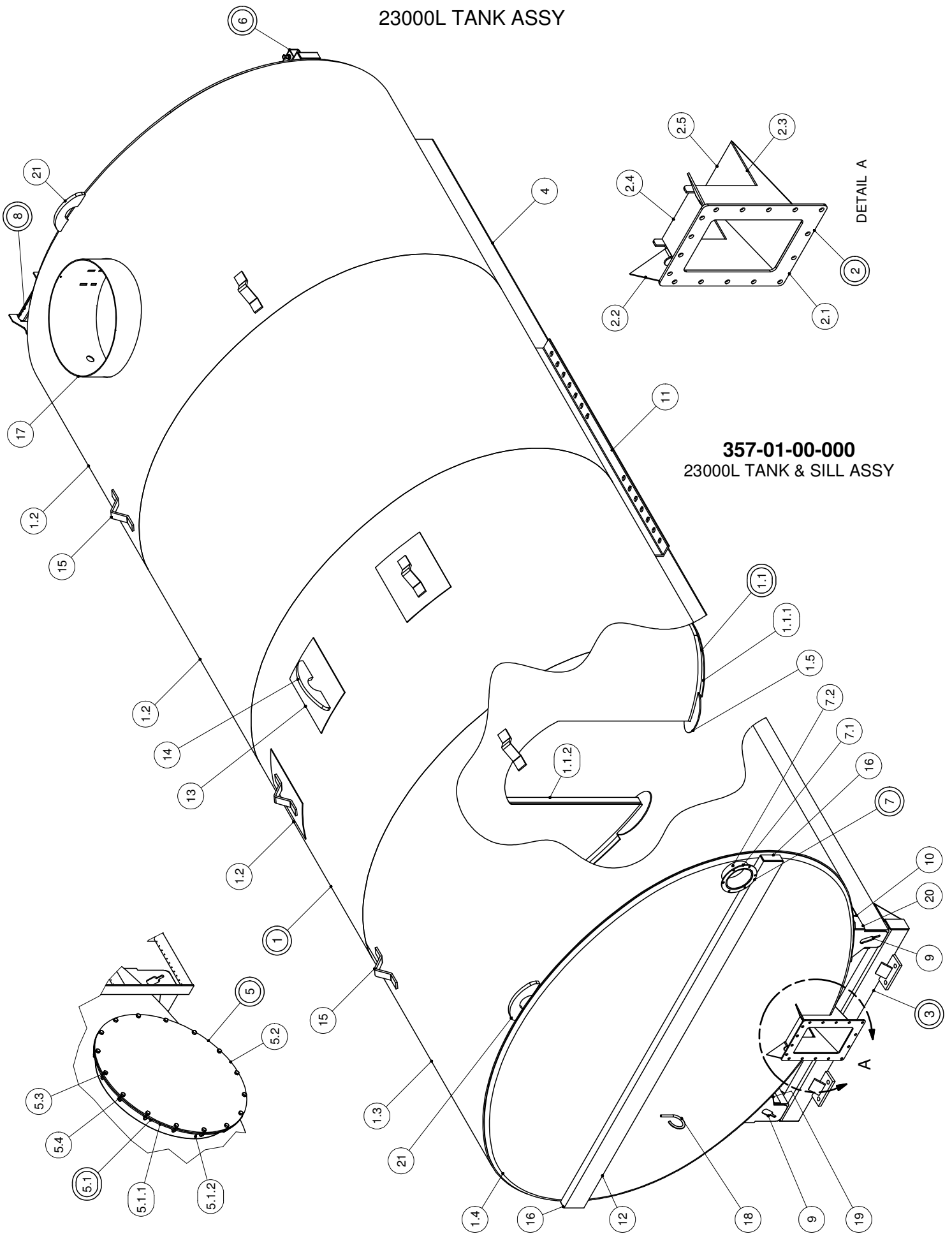


**357-00-00-000**  
23000L TANK COMPLETE

## 23000L TANK COMPLETE

PARTS LIST			
ITEM	PART NUMBER	DESCRIPTION	QTY
1	357-01-00-000	23000L TANK & SILL ASSY	1
2	357-53-00-000	6" DISCHARGE PIPE KIT	1
3	357-29-00-000	TONGUE & HITCH KIT - EXTENDED	1
4	340-62-00-000	INDICATOR KIT	1
4.1	340-00-00-536	FLAG SPRING HOLDER	1
4.2	R08037	SPRING FOR SPREADER FLAG	1
4.3	340-62-00-553	INDICATOR HOSE	1
4.4	R07926	5/16-18 x 1/4" SET SCREW	1
5	356-11-00-000	AXLE KIT FOR 30.5 X 32 TIRES	1
6	357-07-00-000	30.5L x 32 TIRE & WHEEL ASSY - 25000LB	4
7	357-30-00-000	TAIL LIGHT KIT	1
8	357-63-00-000	SAFETY BAR ASSY	1
9	R21583	PTO - 1000 RPM	1
10	R09783	"CAUTION" DECAL	1
11	R09512	CAPACITY DECAL	1
12	R09730	TORQUE, TIRE PRESSURE DECAL	1
13	R09509	"MADE IN CANADA" DECAL - LARGE	1
14	R10097	AMBER REFLECTOR	1
15	R10096	RED REFLECTOR	2
16	R10334	TOXIC GAS PICTORAL DECAL	1
17	R09501	SLOW MOVING VEHICLE DECAL	1
18	R09510	"HUSKY" DECAL	2
19	R09511	ACCENT STRIP	2
20	R09071	SERIAL NUMBER PLATE	1
21	R08152	6 x 1/4 PAN HD SOCKET SCREW	2
22	364-56-00-000	1000 FAN & HOUSING KIT	1
23	330-00-00-559	ACCESS TUBE COVER PLATE	1
24	R07675	3/8 x 1 1/4" HEX BOLT	6
25	R07803	3/8 LOCK WASHER	6
26	R07783	3/8 HEX NUT	6
27	R10335	MANURE SPILL DECAL	1
28	R07879	7/16-14 UNC FLANGE NUT	16
29	R07671	7/16 x 1 1/4 UNC HEX BOLT	16

# 23000L TANK ASSY

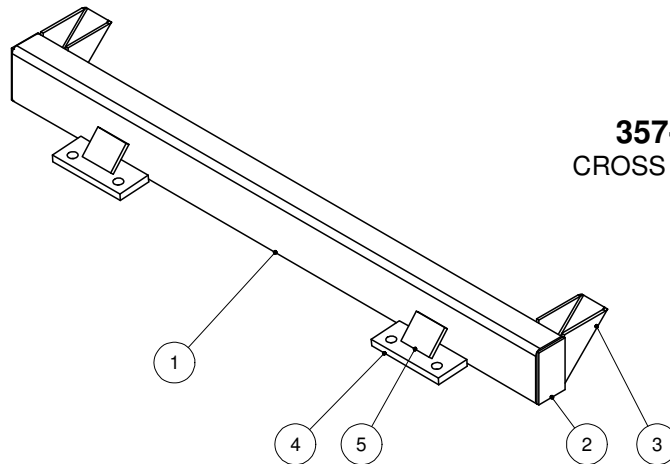


**357-01-00-000**  
23000L TANK & SILL ASSY

DETAIL A

## 23000L TANK ASSY

PARTS LIST				PARTS LIST			
ITEM	PART NUMBER	DESCRIPTION	QTY	ITEM	PART NUMBER	DESCRIPTION	QTY
1	357-01-01-000	23000L TANK ASSY	1	5.3	R07671	7/16 x 1 1/4 UNC HEX BOLT	16
1.1	340-01-08-000	18000L BAFFLE ASSY	2	5.4	R07879	7/16-14 UNC FLANGE NUT	16
1.1.1	340-01-01-302	FLANGED TANK BAFFLE	1	6	357-30-03-000	MOUNT BRKT ASSY	2
1.1.2	340-01-08-561	18000L BAFFLE SUPPORT TUBE	2	7	330-20-03-000	ACCESS TUBE ASSY	1
1.2	357-01-01-120	TANK SHELL	3	7.1	330-20-03-560	ACCESS TUBE FLANGE	1
1.3	356-01-01-001	TANK SHELL	1	7.2	330-20-03-556	ACCESS TUBE	1
1.4	340-01-01-300	FLANGED TANK END	2	8	364-95-00-000	LADDER ASSY	1
1.5	340-01-01-559	OVAL REINFORCING PLATE	4	9	357-01-00-265	SILL CAP FOR 5 x 7 TUBE	4
2	364-82-00-000	FLANGED TANK OUTLET	1	10	340-01-00-498	SERIAL NO. BACK PLATE	1
2.1	364-81-02-393	HOUSING FLANGE	1	11	364-02-00-280	AXLE ADJUSTMENT ANGLE	2
2.2	364-82-00-395	LH OUTLET SIDE PC	1	12	340-01-06-312	TANK END STIFFENER	2
2.3	364-82-00-396	RH OUTLET SIDE PC	1	13	340-01-00-546	LIFT HOOK REINFORCING PLATE	3
2.4	364-01-03-104	OUTLET TOP PC	1	14	340-01-00-555	CENTER LIFT HOOK	1
2.5	364-01-03-105	OUTLET BOTTOM PC	1	15	300-01-00-012	TANK LIFT HOOK	6
3	357-60-00-000	CROSS MEMBER ASSY	1	16	340-01-06-464	TANK STIFFENER CAP	4
4	357-01-00-264	23000L SILL	2	17	364-02-00-006	24" MANHOLE	1
5	384-40-00-000	ACCESS HOLE & COVER PLATE KIT	1	18	315-30-00-108	HYD. HOSE HOOK	1
5.1	384-40-01-000	ACCESS RING ASSY	1	19	356-01-00-029	INNER SILL REINFORCING PLATE	6
5.1.1	384-40-01-490	ACCESS HOLE FLANGE	1	20	356-01-00-030	OUTER SILL REINFORCING PLATE	6
5.1.2	384-40-01-491	ACCESS HOLE RING	1	21	395-08-00-056	END LIFT HOOK	2
5.2	384-40-00-492	ACCESS HOLE COVER PLATE	1				

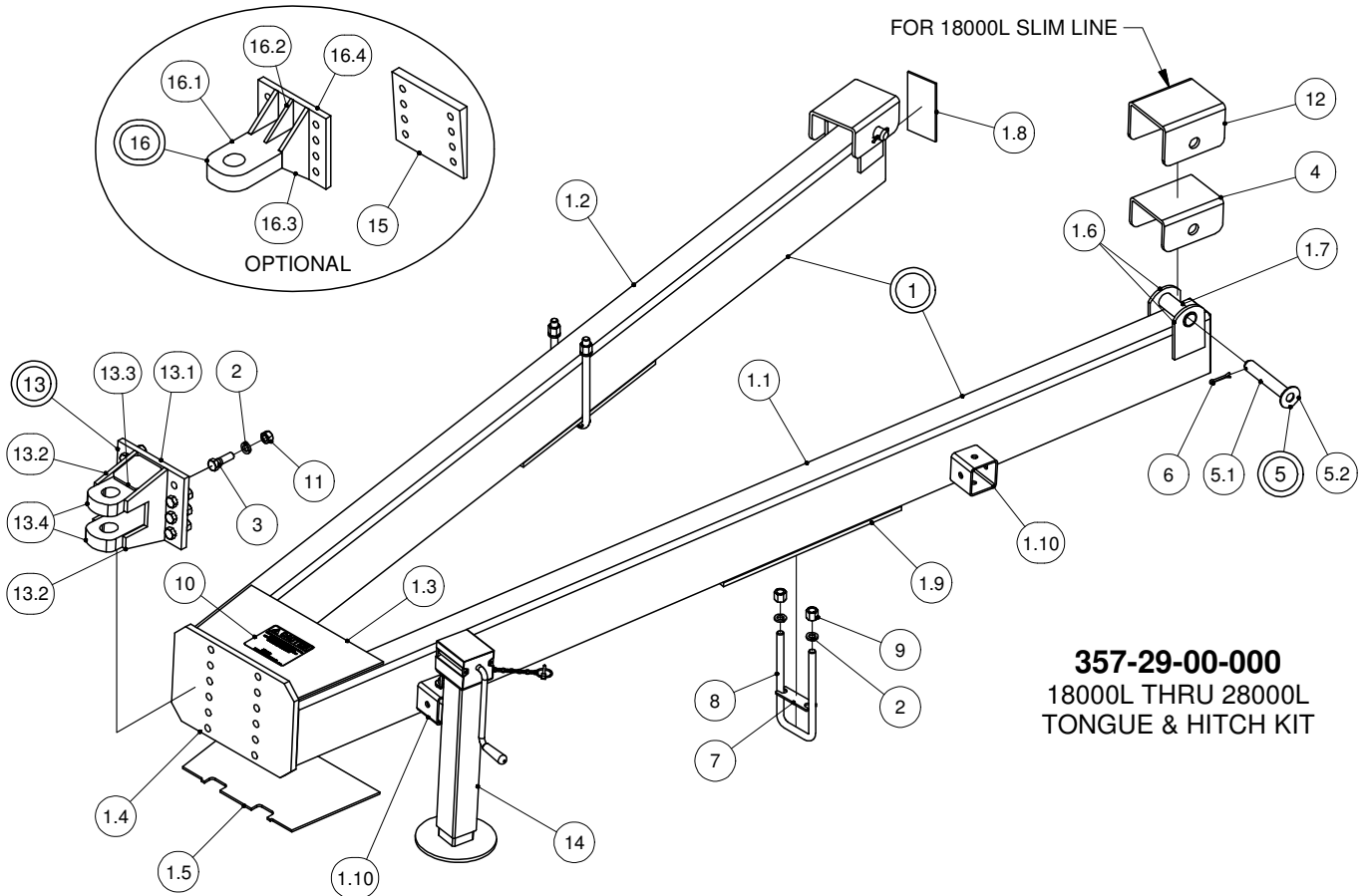


**357-60-00-000**  
CROSS MEMBER ASSY

PARTS LIST			
ITEM	PART NUMBER	DESCRIPTION	QTY
1	357-60-00-290	CROSS MEMBER	1
2	357-60-00-291	END CAP	2
3	357-60-00-292	DOUBLE GUSSET	2
4	357-28-00-168	TONGUE STRAP	2
5	364-02-17-123	TONGE STRAP GUSSET	2

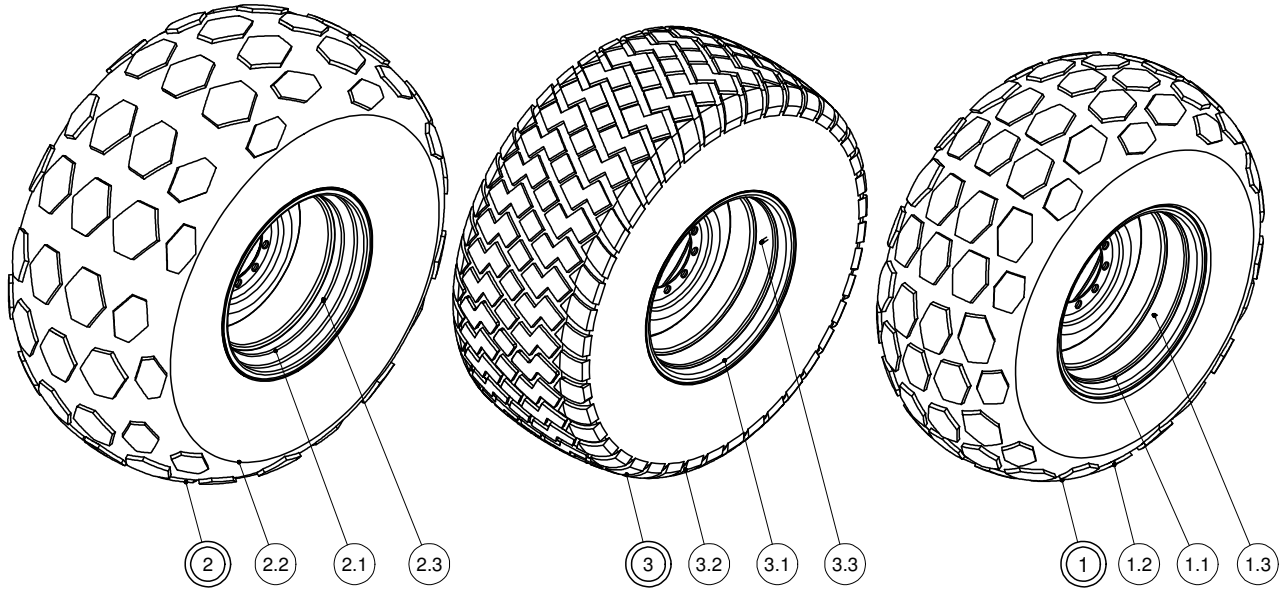
# 18000L THRU 28000L TONGUE & HITCH KIT

PARTS LIST				PARTS LIST			
ITEM	PART NUMBER	DESCRIPTION	QTY	ITEM	PART NUMBER	DESCRIPTION	QTY
1	357-27-00-000	TONGUE ASSY	1	7	364-00-00-131	U - BOLT SPACER	2
1.1	357-27-00-165	LH TONGUE TUBE	1	8	R08172	3/4" UNF x 10" - "U" BOLT	2
1.2	357-27-00-164	RH TONGUE TUBE	1	9	R07820	3/4" FED. HIGH HEX NUT	4
1.3	357-27-00-166	UPPER TONGUE TUBE GUSSET	1	10	R09672	CAUTION PTO LENGTH DECAL	1
1.4	358-42-00-137	HITCH BOLT PLATE	1	11	R07787	3/4 - 10 UNC HEX NUT	8
1.5	357-27-00-310	LOWER TONGUE TUBE GUSSET	1	12	394-03-00-014	TONGUE "U" PC	2
1.6	315-36-00-146	TONGUE SIDE PC	4	13	408-04-00-000	HD CLEVIS HITCH ASSY-1 3/4" HOLE	1
1.7	315-36-00-145	TONGUE BUSHING	2	13.1	358-43-00-139	HITCH BACK PLATE	1
1.8	315-36-00-147	TONGUE TUBE COVER	2	13.2	358-43-00-141	HITCH SIDE GUSSET	2
1.9	357-00-00-129	TONGUE REINFORCING PLATE	2	13.3	358-43-00-142	HITCH UPPER GUSSET	2
1.10	395-07-01-059	TONGUE JACK OUTER BRKT	2	13.4	408-04-00-011	HITCH PLATE	2
2	R07807	3/4" LOCK WASHER	12	14	395-14-00-000	8000 LB TONGUE JACK W/SQ MT BRKT	1
3	R07655	3/4 x 2 1/2 HEX BOLT	8	15	358-00-00-143	WEDGE PLATE	1
4	315-31-00-115	TONGUE "U" PC	2	16	357-57-00-000	HD SINGLE POINT HITCH ASSY	1
5	315-39-00-000	LOCK PIN ASSY	2	16.1	357-57-00-285	SINGLE POINT HITCH	1
5.1	315-39-00-155	TONGUE LOCK PIN	1	16.2	358-44-00-145	TOP GUSSET	2
5.2	R07828	1" FLAT WASHER	1	16.3	358-44-00-144	SIDE GUSSET	2
6	R08016	1/4 x 2 COTTER PIN	2	16.4	358-44-00-139	HITCH BACK PLATE	1





## 24500L & 27500L TIRES



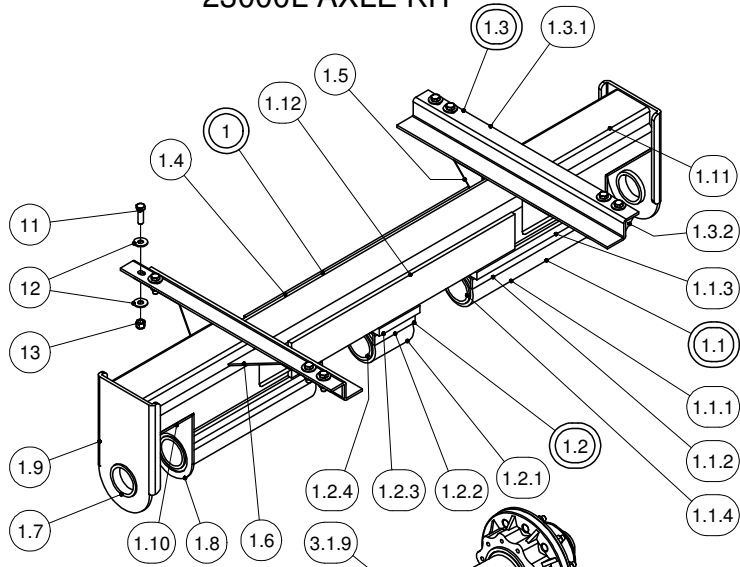
**35.5 x 32 BIAS  
TIRE & WHEEL ASSY  
356-08-00-000**

**30.5 x 32 RADIAL  
TIRE & WHEEL ASSY  
357-07-00-000**

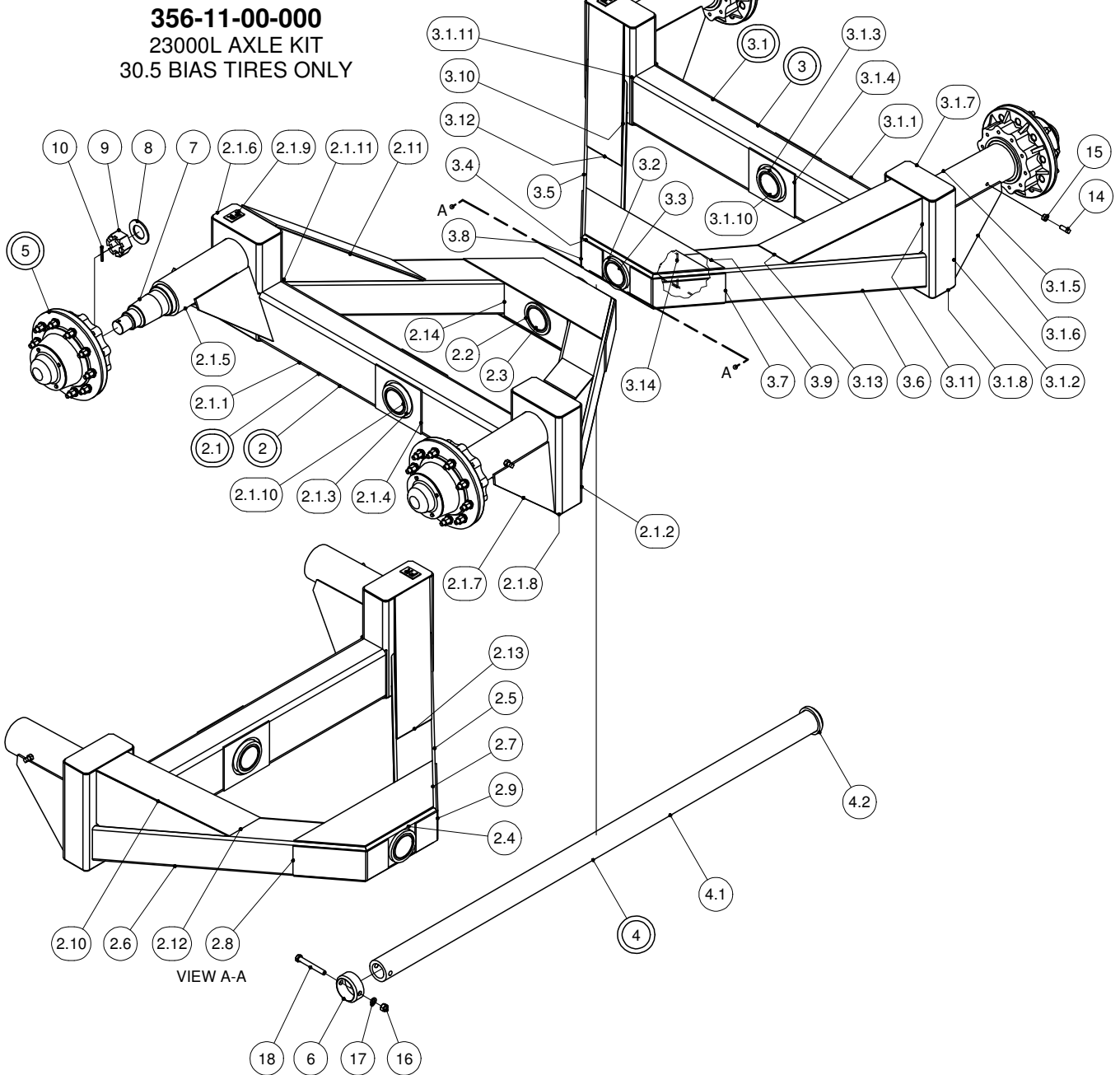
**30.5 x 32 BIAS  
TIRE & WHEEL ASSY  
357-07-00-000**

PARTS LIST			
ITEM	PART NUMBER	DESCRIPTION	QTY
1	357-07-00-000	30.5L x 32 TIRE & WHEEL ASSY - 25000LB	4
1.1	R22071	DW25-26 WHEEL 13.19 BC	1
1.2	R22070	30.5L x 32 R3 14 PLY FIRESTONE or 16 PLY GOODYEAR	1
1.3	R20161	VALVE STEM	1
2	356-08-00-000	35.5L x 32 TIRE & WHEEL ASSY - 25000LB	4
2.1	R22090	32x31 RIM - 11.063" PILOT 13.19 B.C.	1
2.2	R22089	35.5L x 32 TIRE	1
2.3	R20161	VALVE STEM	1
3	356-12-00-000	30.5x32 ALLIANCE RADIAL 390 T&W	1
3.1	R22071	DW25-26 WHEEL 13.19 BC	1
3.2	R22569	30.5x32 ALLIANCE RADIAL 390 TIRE	1
3.3	R20161	VALVE STEM	1

# 23000L AXLE KIT



## 356-11-00-000 23000L AXLE KIT 30.5 BIAS TIRES ONLY



## 23000L AXLE KIT

PARTS LIST				PARTS LIST			
ITEM	PART NUMBER	DESCRIPTION	QTY	ITEM	PART NUMBER	DESCRIPTION	QTY
1	356-10-01-000	BASE FRAME ASSY	1	2.12	356-11-01-081	REAR GUSSET CAP	1
1.1	356-09-06-000	OUTER SLEEVE ASSY	2	2.13	356-11-01-082	FRONT GUSSET CAP	1
1.1.1	356-09-06-055	OUTER TUBE	1	2.14	356-11-01-083	INNER SUPPORT PLATE	1
1.1.2	356-09-06-054	OUTER SLEEVE HOLDER	1	3	356-11-03-000	RH TANDEM SIDE ASSY-30.5	1
1.1.3	356-09-06-053	OUTER SPACER BAR	1	3.1	356-11-04-000	RH WALKING BEAM-30.5	1
1.1.4	356-09-06-069	INNER CENTER SLEEVE	1	3.1.1	356-11-02-072	WALKING BEAM	1
1.2	356-09-07-000	CENTER SLEEVE ASSY	1	3.1.2	356-09-02-035	WALKING BEAM END TUBE	2
1.2.1	356-09-07-058	INNER TUBE	1	3.1.3	356-09-02-036	WALKER SLEEVE	1
1.2.2	356-09-07-057	INNER SLEEVE HOLDER	1	3.1.4	356-09-02-037	REINFORCING PLATE	2
1.2.3	356-09-07-056	INNER SPACER BAR	1	3.1.5	356-07-02-012	SPINDLE SLEEVE FOR 5 1/2" SPINDLE	2
1.2.4	356-09-07-068	INNER CENTER SLEEVE	1	3.1.6	356-09-02-039	SMALL SPINDLE SLEEVE GUSSET	4
1.3	330-69-01-000	SILL "Z" PLATE ASSY	2	3.1.7	394-01-03-017	COVER PLATE	2
1.3.1	358-85-00-253	SILL "Z" PLATE	1	3.1.8	356-09-02-040	BOTTOM CAP	2
1.3.2	330-69-00-550	GUSSET	2	3.1.9	358-01-00-401	"FRONT" PLATE	1
1.4	356-10-01-061	CROSS AXLE SUPPORT	1	3.1.10	356-09-02-070	INNER WALKER SLEEVE	1
1.5	340-07-00-330	DOUBLE GUSSET	4	3.1.11	356-09-02-060	FILLER BAR	4
1.6	358-03-00-355	GUSSET	4	3.2	356-09-01-041	INNER WALKER SLEEVE	1
1.7	356-10-01-062	SUPPORT SLEEVE	2	3.3	356-09-01-071	INSIDE INNER WALKER SLEEVE	1
1.8	356-10-01-063	INNER END CAP	2	3.4	356-11-01-073	MIDDLE CONNECTOR TUBE	1
1.9	356-10-01-064	END CAP w/ HOLE	2	3.5	356-11-01-074	FRONT TANDEM ARM	1
1.10	356-10-01-065	FILLER PLATE	2	3.6	356-11-01-075	REAR TANDEM ARM	1
1.11	356-10-01-067	"U" SUPPORT PC	2	3.7	356-11-01-077	REAR TIE PLATE	1
1.12	356-10-01-085	CROSS AXLE SUPPORT REIN. PLATE	2	3.8	356-11-01-078	FRONT TIE PLATE	1
2	356-11-01-000	LH TANDEM SIDE ASSY-30.5	1	3.9	356-11-01-076	TOP GUSSET	2
2.1	356-11-02-000	LH WALKING BEAM ASSY-30.5	1	3.10	356-11-01-080	FRONT TANDEM ARM GUSSET	2
2.1.1	356-11-02-072	WALKING BEAM	1	3.11	356-11-01-079	REAR TANDEM ARM GUSSET	2
2.1.2	356-09-02-035	WALKING BEAM END TUBE	2	3.12	356-11-01-082	FRONT GUSSET CAP	1
2.1.3	356-09-02-036	WALKER SLEEVE	1	3.13	356-11-01-081	REAR GUSSET CAP	1
2.1.4	356-09-02-037	REINFORCING PLATE	2	3.14	356-11-01-083	INNER SUPPORT PLATE	1
2.1.5	356-07-02-012	SPINDLE SLEEVE FOR 5 1/2" SPINDLE	2	4	356-10-02-000	MAIN AXLE TUBE ASSY	1
2.1.6	394-01-03-017	COVER PLATE	2	4.1	356-10-02-066	MAIN AXLE TUBE	1
2.1.7	356-09-02-039	SMALL SPINDLE SLEEVE GUSSET	4	4.2	340-63-00-538	STOP RING	1
2.1.8	356-09-02-040	BOTTOM CAP	2	5	357-06-00-000	25000 LB HUB COMPLETE	4
2.1.9	358-01-00-401	"FRONT" PLATE	1	6	357-00-00-118	RETAINING RING	1
2.1.10	356-09-02-070	INNER WALKER SLEEVE	1	7	357-00-00-196	25000 LB SPINDLE	4
2.1.11	356-09-02-060	FILLER BAR	4	8	357-00-00-128	SPINDLE WASHER	4
2.2	356-09-01-041	INNER WALKER SLEEVE	1	9	R22047	SPINDLE NUT 2 1/2" - 12UN	4
2.3	356-09-01-071	INSIDE INNER WALKER SLEEVE	1	10	R07987	3/8 x 3 1/2" ROLL PIN	4
2.4	356-11-01-073	MIDDLE CONNECTOR TUBE	1	11	R07655	3/4 x 2 1/2 UNC HEX BOLT	8
2.5	356-11-01-074	FRONT TANDEM ARM	1	12	R07827	3/4" FLAT WASHER	16
2.6	356-11-01-075	REAR TANDEM ARM	1	13	R07878	3/4 UNC NYLOCK NUT	8
2.7	356-11-01-076	TOP GUSSET	2	14	R07927	5/8 x 1 1/2 UNC SQ HD SETSCREW	8
2.8	356-11-01-077	REAR TIE PLATE	1	15	R07786	5/8-11 UNC HEX NUT	8
2.9	356-11-01-078	FRONT TIE PLATE	1	16	R07787	3/4-10 UNC HEX NUT	1
2.10	356-11-01-079	REAR TANDEM ARM GUSSET	2	17	R07807	3/4" LOCK WASHER	1
2.11	356-11-01-080	FRONT TANDEM ARM GUSSET	2	18	R07660	3/4 x 6 UNC HEX BOLT	1



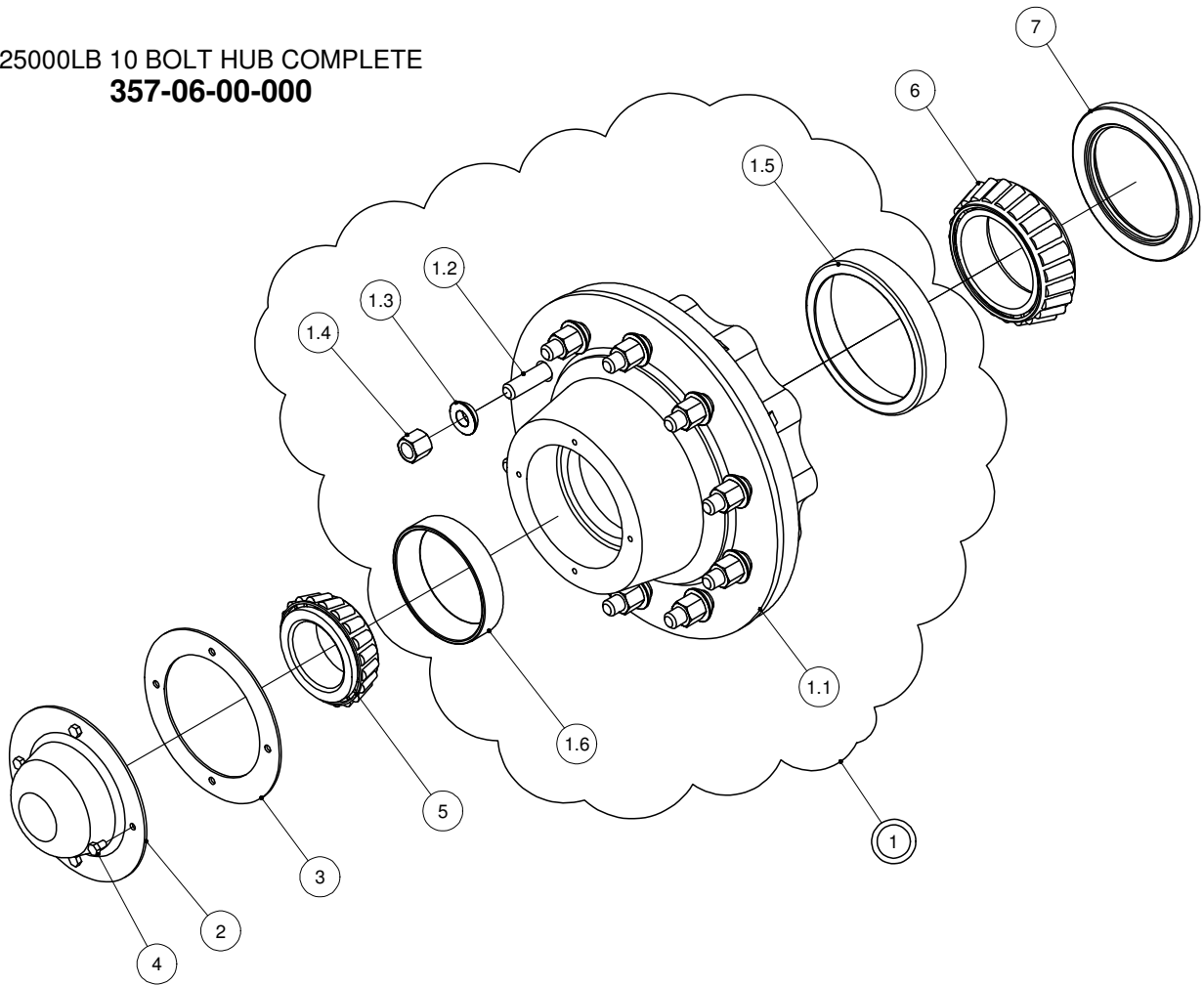
## 23000L & 28000L AXLE

PARTS LIST				PARTS LIST			
ITEM	PART NUMBER	DESCRIPTION	QTY	ITEM	PART NUMBER	DESCRIPTION	QTY
1	356-10-01-000	BASE FRAME ASSY	1	2.12	356-09-01-046	REAR TIE PLATE	1
1.1	356-09-06-000	OUTER SLEEVE ASSY	2	2.13	356-09-01-045	FRONT TIE PLATE	1
1.1.1	356-09-06-055	OUTER TUBE	1	2.14	356-09-01-071	INSIDE INNER WALKER SLEEVE	1
1.1.2	356-09-06-054	OUTER SLEEVE HOLDER	1	3	356-09-03-000	RH TANDEM SIDE ASSY	1
1.1.3	356-09-06-053	OUTER SPACER BAR	1	3.1	356-09-04-000	RH WALKING BEAM	1
1.1.4	356-09-06-069	INNER CENTER SLEEVE	1	3.1.1	356-09-02-034	WALKING BEAM	1
1.2	356-09-07-000	CENTER SLEEVE ASSY	1	3.1.2	356-09-02-035	WALKING BEAM END TUBE	2
1.2.1	356-09-07-058	INNER TUBE	1	3.1.3	356-09-02-036	WALKER SLEEVE	1
1.2.2	356-09-07-057	INNER SLEEVE HOLDER	1	3.1.4	356-09-02-037	REINFORCING PLATE	2
1.2.3	356-09-07-056	INNER SPACER BAR	1	3.1.5	356-07-02-012	SPINDLE SLEEVE FOR 5 1/2" SPINDLE	2
1.2.4	356-09-07-068	INNER CENTER SLEEVE	1	3.1.6	356-09-02-039	SMALL SPINDLE SLEEVE GUSSET	4
1.3	330-69-01-000	SILL "Z" PLATE ASSY	2	3.1.7	394-01-03-017	COVER PLATE	2
1.3.1	358-85-00-253	SILL "Z" PLATE	1	3.1.8	356-09-02-040	BOTTOM CAP	2
1.3.2	330-69-00-550	GUSSET	2	3.1.9	358-01-00-401	"FRONT" PLATE	1
1.4	356-10-01-061	CROSS AXLE SUPPORT	1	3.1.10	356-09-02-070	INNER WALKER SLEEVE	1
1.5	340-07-00-330	DOUBLE GUSSET	4	3.1.11	356-09-02-060	FILLER BAR	4
1.6	358-03-00-355	GUSSET	4	3.2	356-09-01-041	INNER WALKER SLEEVE	1
1.7	356-10-01-062	SUPPORT SLEEVE	2	3.3	356-09-01-042	MIDDLE CONNECTOR TUBE	1
1.8	356-10-01-063	INNER END CAP	2	3.4	356-09-01-044	REAR TANDEM ARM	1
1.9	356-10-01-064	END CAP w/ HOLE	2	3.5	356-09-01-043	FRONT TANDEM ARM	1
1.10	356-10-01-065	FILLER PLATE	2	3.6	356-09-01-050	REAR TANDEM ARM GUSSET	2
1.11	356-10-01-067	"U" SUPPORT PC	2	3.7	356-09-01-052	REAR TOP FILLER PLATE	1
1.12	356-10-01-085	CROSS AXLE SUPPORT REINF PLATE	2	3.8	356-09-01-049	FRONT TANDEM ARM GUSSET	2
2	356-09-01-000	LH TANDEM SIDE ASSY	1	3.9	356-09-01-051	FRONT TOP FILLER PLATE	1
2.1	356-09-02-000	LH WALKING BEAM ASSY	1	3.10	356-09-01-048	INNER SUPPORT PLATE	1
2.1.1	356-09-02-034	WALKING BEAM	1	3.11	356-09-01-047	TOP GUSSET	2
2.1.2	356-09-02-035	WALKING BEAM END TUBE	2	3.12	356-09-01-045	FRONT TIE PLATE	1
2.1.3	356-09-02-036	WALKER SLEEVE	1	3.13	356-09-01-046	REAR TIE PLATE	1
2.1.4	356-09-02-037	REINFORCING PLATE	2	3.14	356-09-01-071	INSIDE INNER WALKER SLEEVE	1
2.1.5	356-07-02-012	SPINDLE SLEEVE FOR 5 1/2" SPINDLE	2	4	356-10-02-000	MAIN AXLE TUBE ASSY	1
2.1.6	394-01-03-017	COVER PLATE	2	4.1	356-10-02-066	MAIN AXLE TUBE	1
2.1.7	356-09-02-039	SMALL SPINDLE SLEEVE GUSSET	4	4.2	340-63-00-538	STOP RING	1
2.1.8	356-09-02-040	BOTTOM CAP	2	5	357-06-00-000	25000 LB HUB COMPLETE	4
2.1.9	358-01-00-401	"FRONT" PLATE	1	6	357-00-00-118	RETAINING RING	1
2.1.10	356-09-02-070	INNER WALKER SLEEVE	1	7	357-00-00-196	25000 LB SPINDLE	4
2.1.11	356-09-02-060	FILLER BAR	4	10	R22047	SPINDLE NUT 2 1/2" - 12UN	4
2.2	356-09-01-041	INNER WALKER SLEEVE	1	11	357-00-00-128	SPINDLE WASHER	4
2.3	356-09-01-042	MIDDLE CONNECTOR TUBE	1	12	R07987	3/8 x 3 1/2" ROLL PIN	4
2.4	356-09-01-043	FRONT TANDEM ARM	1	13	R07655	3/4 x 2 1/2 UNC HEX BOLT	8
2.5	356-09-01-044	REAR TANDEM ARM	1	14	R07827	3/4" FLAT WASHER	16
2.6	356-09-01-049	FRONT TANDEM ARM GUSSET	2	15	R07878	3/4 UNC NYLOCK NUT	8
2.7	356-09-01-051	FRONT TOP FILLER PLATE	1	16	R07927	5/8 x 1 1/2 UNC SQ HD SETSCREW	8
2.8	356-09-01-050	REAR TANDEM ARM GUSSET	2	17	R07786	5/8-11 UNC HEX NUT	8
2.9	356-09-01-052	REAR TOP FILLER PLATE	1	18	R07787	3/4-10 UNC HEX NUT	1
2.10	356-09-01-047	TOP GUSSET	2	19	R07807	3/4" LOCK WASHER	1
2.11	356-09-01-048	INNER SUPPORT PLATE	1	20	R07660	3/4 x 6 UNC HEX BOLT	1

This Page is Intentionally Left Blank

## 25000LB HUB COMPLETE

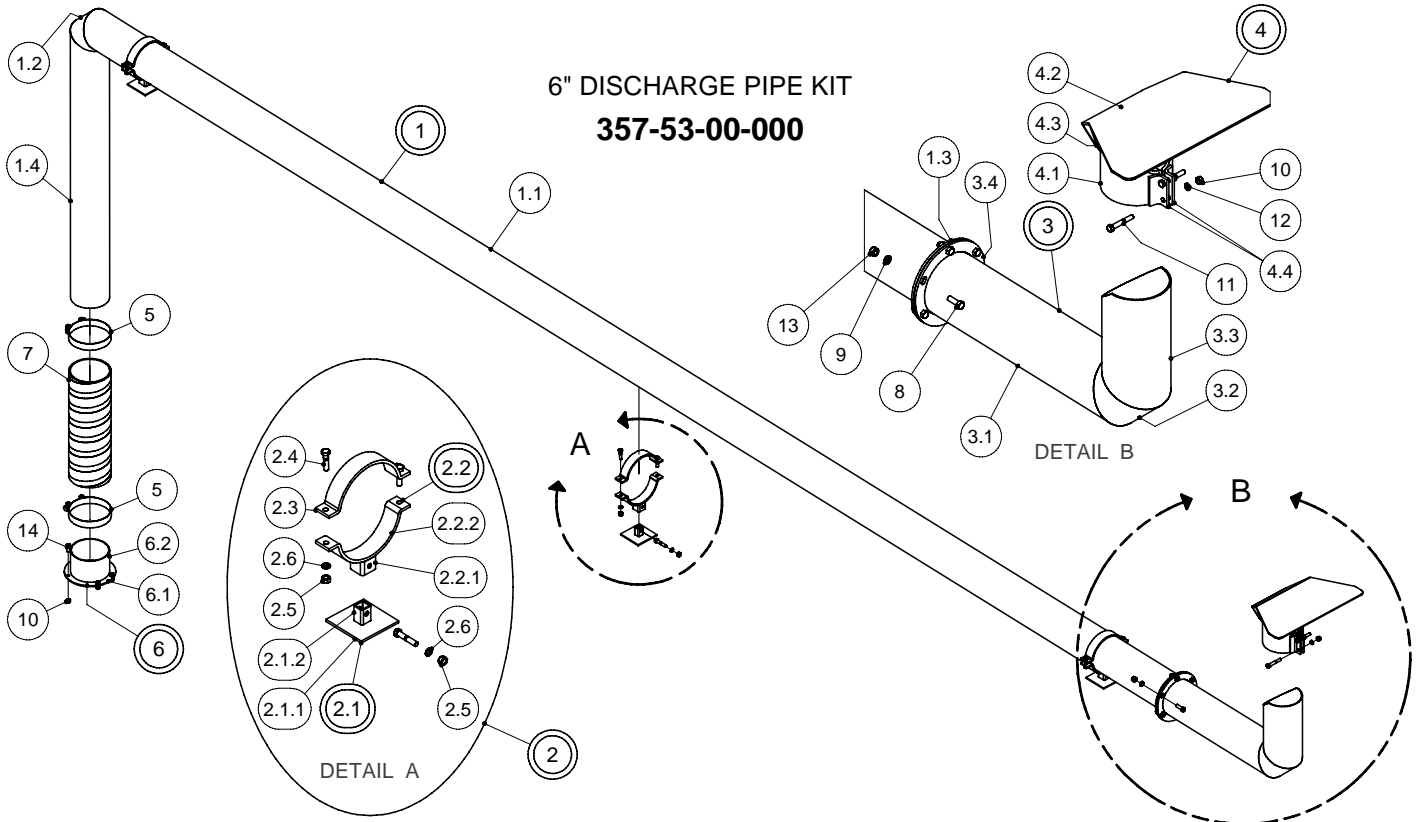
25000LB 10 BOLT HUB COMPLETE  
**357-06-00-000**



PARTS LIST			
ITEM	PART NUMBER	DESCRIPTION	QTY
1	357-06-00-215	25000LB HUB w/ CUPS,BLTS,NUTS & WSHRS	1
1.1	25000LB HUB	25000LB HUB - MACHINED LESS BEARINGS	1
1.2	R20096	3/4" WHEEL BOLTS	10
1.3	R20152	3/4" SPHERICAL WASHER	10
1.4	R07820	3/4" FED. HIGH HEX NUT	10
1.5	R22038	INNER CUP 71750	1
1.6	R22037	OUTER CUP 653	1
2	R22041	DUST CAP - 25000LB HUB	1
3	R22042	DUST CAP GASKET	1
4	R07694	DUST CAP BOLT 5/16 - 18 x 1/2	4
5	R22039	OUTER CONE - 663	1
6	R22040	INNER CONE - 71455	1
7	R22045	HUB SEAL 456192	1

# 6" DISCHARGE PIPE KIT - 23000L

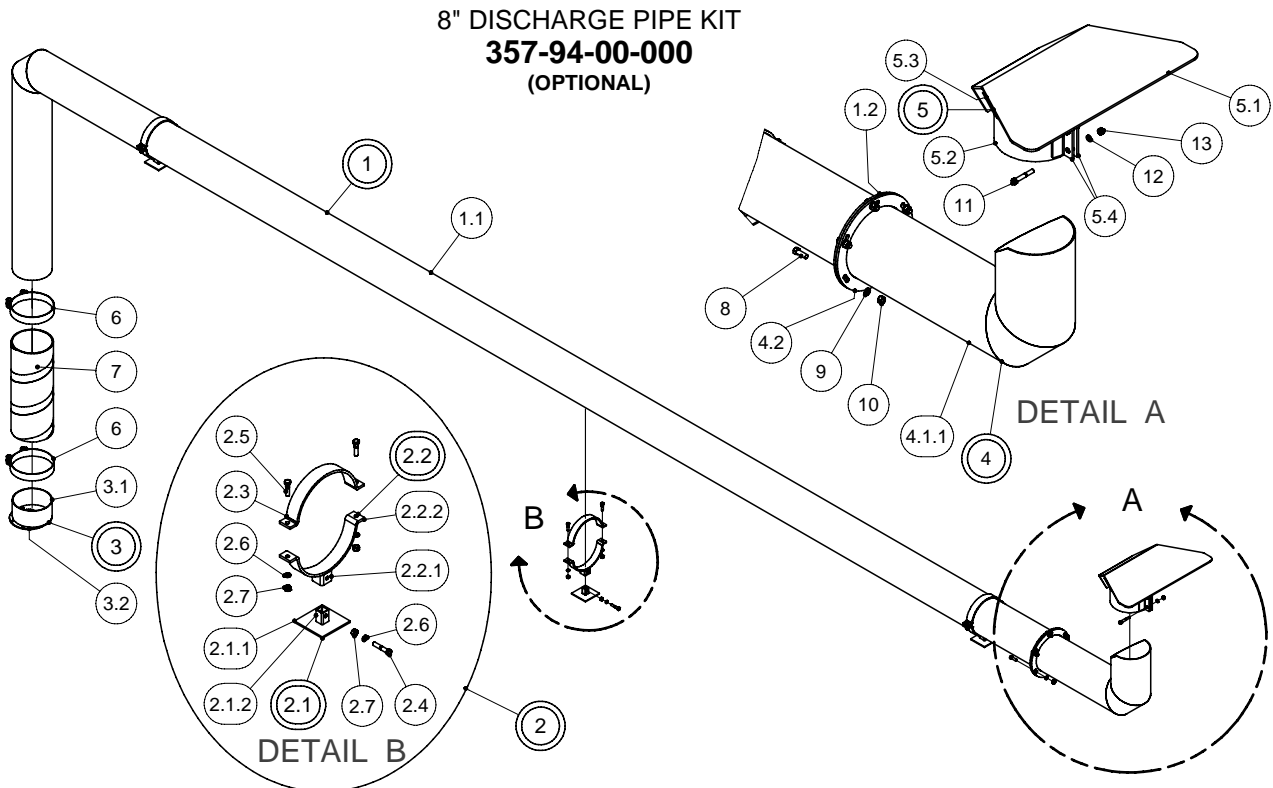
PARTS LIST				PARTS LIST			
ITEM	PART NUMBER	DESCRIPTION	QTY	ITEM	PART NUMBER	DESCRIPTION	QTY
1	357-08-00-000	DISCHARGE PIPE ASSY - 6"	1	3.3	364-25-00-067	DISCHARGE PIPE END PC	1
1.1	357-08-00-124	6" HORIZONTAL DISCHARGE PIPE	1	3.4	364-19-00-087	DISCHARGE PIPE FLANGE	1
1.2	364-19-00-082	DISCHARGE PIPE CORNER PC	1	4	364-68-00-000	SPLASH PLATE ASSY	1
1.3	364-19-00-087	DISCHARGE PIPE FLANGE	1	4.1	364-68-00-215	CLAMPING TUBE	1
1.4	358-32-00-109	VERTICAL DISCHARGE PIPE	1	4.2	364-21-00-069	SPLASH PLATE	1
2	357-16-00-000	6" DISCHARGE PIPE HOLDER KIT	3	4.3	364-21-00-224	SPLASH PLATE WING	2
2.1	357-16-01-000	DISCHARGE PIPE BASE HOLDER ASSY	1	4.4	364-21-00-071	CLAMPING TUBE BRKT	2
2.1.1	357-16-01-130	BASE PLATE	1	5	R02482	6" HOSE CLAMP	2
2.1.2	357-16-01-131	LOWER STUB	1	6	364-31-00-000	HOSE TUBE ASSY - 6"	1
2.2	357-16-02-000	PIPE HOLDER ASSY	1	6.1	364-01-03-376	DISCHARGE RING	1
2.2.1	357-16-02-137	UPPER STUB	1	6.2	364-01-03-063	DISCHARGE TUBE	1
2.2.2	357-16-00-133	TOP PIPE HOLDER - 6"	1	7	364-00-00-066	HOSE SECTION	1
2.3	357-16-00-133	TOP PIPE HOLDER - 6"	1	8	R07671	7/16 x 1 1/4 HEX BOLT	6
2.4	R07620	3/8 x 1 1/2 HEX BOLT	2	9	R07804	7/16 LOCK WASHER	6
2.5	R07783	3/8 HEX NUT	3	10	R07783	3/8 HEX NUT	7
2.6	R07803	3/8 LOCK WASHER	3	11	R07622	3/8 x 2 1/2 HEX BOLT	2
2.7	R07621	3/8 x 2" HEX BOLT	1	12	R07803	3/8 LOCK WASHER	7
3	364-25-00-000	DISCHARGE PIPE END SECTION ASSY	1	13	R07784	7/16 HEX NUT	6
3.1	364-25-00-088	DISCHARGE PIPE FLANGE PC	1	14	R07619	3/8 x 1 HEX BOLT	5
3.2	364-19-00-082	DISCHARGE PIPE CORNER PC	1				





# 8" DISCHARGE PIPE KIT - 23000L

PARTS LIST				PARTS LIST			
ITEM	PART NUMBER	DESCRIPTION	QTY	ITEM	PART NUMBER	DESCRIPTION	QTY
1	357-94-02-000	23000L DISCHARGE PIPE ASSY 8"	1	4.1	358-92-03-307	8" EXTENSION PIPE	1
1.1	357-94-02-305	23000L 8" DISCHARGE PIPE - 78" DIA	1	4.1.1	358-92-03-307	8" EXTENSION PIPE - HORIZONTAL PC	1
1.2	358-92-02-306	8" DISCHARGE FLANGE	1	4.1.2	358-92-03-307 - B	8" EXTENSION PIPE CORNER PC	1
2	357-17-00-000	8" DISCHARGE PIPE HOLDER KIT	3	4.1.3	358-92-03-307 - A	8" EXTENSION TUBE END PC	1
2.1	357-16-01-000	DISCHARGE PIPE BASE HOLDER ASSY	1	4.2	358-92-02-306	8" DISCHARGE FLANGE	1
2.1.1	357-16-01-130	BASE PLATE	1	5	358-92-04-000	8" SPLASH PLATE ASSY	1
2.1.2	357-16-01-131	LOWER STUB	1	5.1	358-92-04-308	8" SPLASH PLATE	1
2.2	357-17-01-000	PIPE HOLDER ASSY - 8"	1	5.2	358-92-04-309	8" SPLASH PLATE TUBE	1
2.2.1	357-16-02-137	UPPER STUB	1	5.3	358-92-04-310	WING FOR 8" SPLASH PLATE	2
2.2.2	357-17-00-135	TOP PIPE HOLDER - 8"	1	5.4	358-92-04-311	CLAMPING TUBE BRKT	2
2.3	357-17-00-135	TOP PIPE HOLDER - 8"	1	6	R02484	8" SUCTION HOSE CLAMP	2
2.4	R07621	3/8 x 2" HEX BOLT	1	7	358-92-00-329	8" DISCHARGE HOSE	1
2.5	R07620	3/8 x 1 1/2 HEX BOLT	2	8	R07671	7/16 x 1 1/4 HEX BOLT	6
2.6	R07803	3/8 LOCK WASHER	3	9	R07804	7/16 LOCK WASHER	6
2.7	R07783	3/8 HEX NUT	3	10	R07784	7/16 HEX NUT	6
3	358-92-01-000	8" HOUSING RING & TUBE ASSY	1	11	R07622	3/8 x 2 1/2 HEX BOLT	2
3.1	358-92-01-302	8" HOUSING OUTLET TUBE	1	12	R07803	3/8 LOCK WASHER	2
3.2	358-92-01-301	8" HOUSING DISCHARGE RING	1	13	R07783	3/8 HEX NUT	2
4	358-92-03-000	8" EXTENSION PIPE ASSY	1				



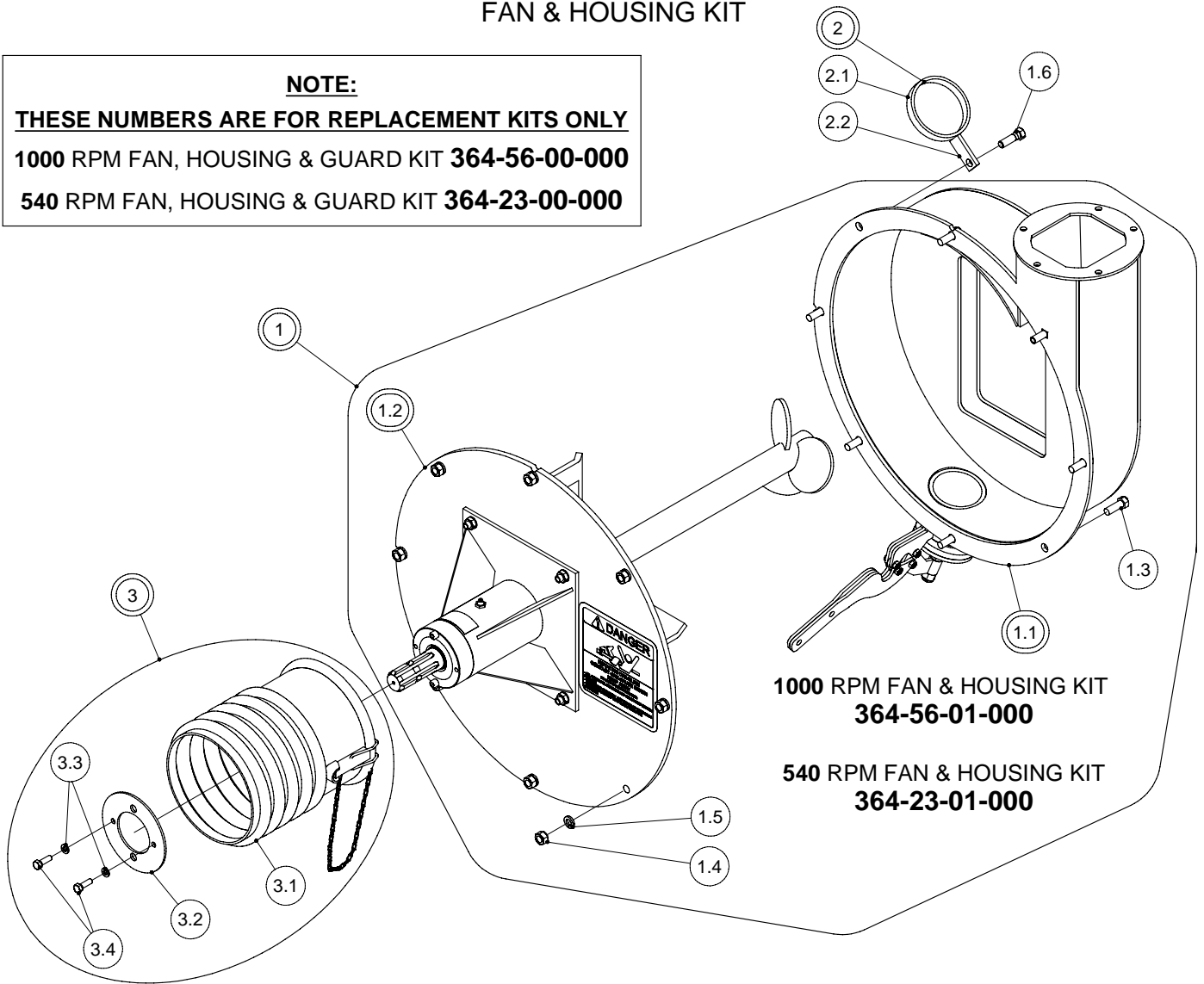
# FAN & HOUSING KIT

**NOTE:**

**THESE NUMBERS ARE FOR REPLACEMENT KITS ONLY**

**1000 RPM FAN, HOUSING & GUARD KIT 364-56-00-000**

**540 RPM FAN, HOUSING & GUARD KIT 364-23-00-000**



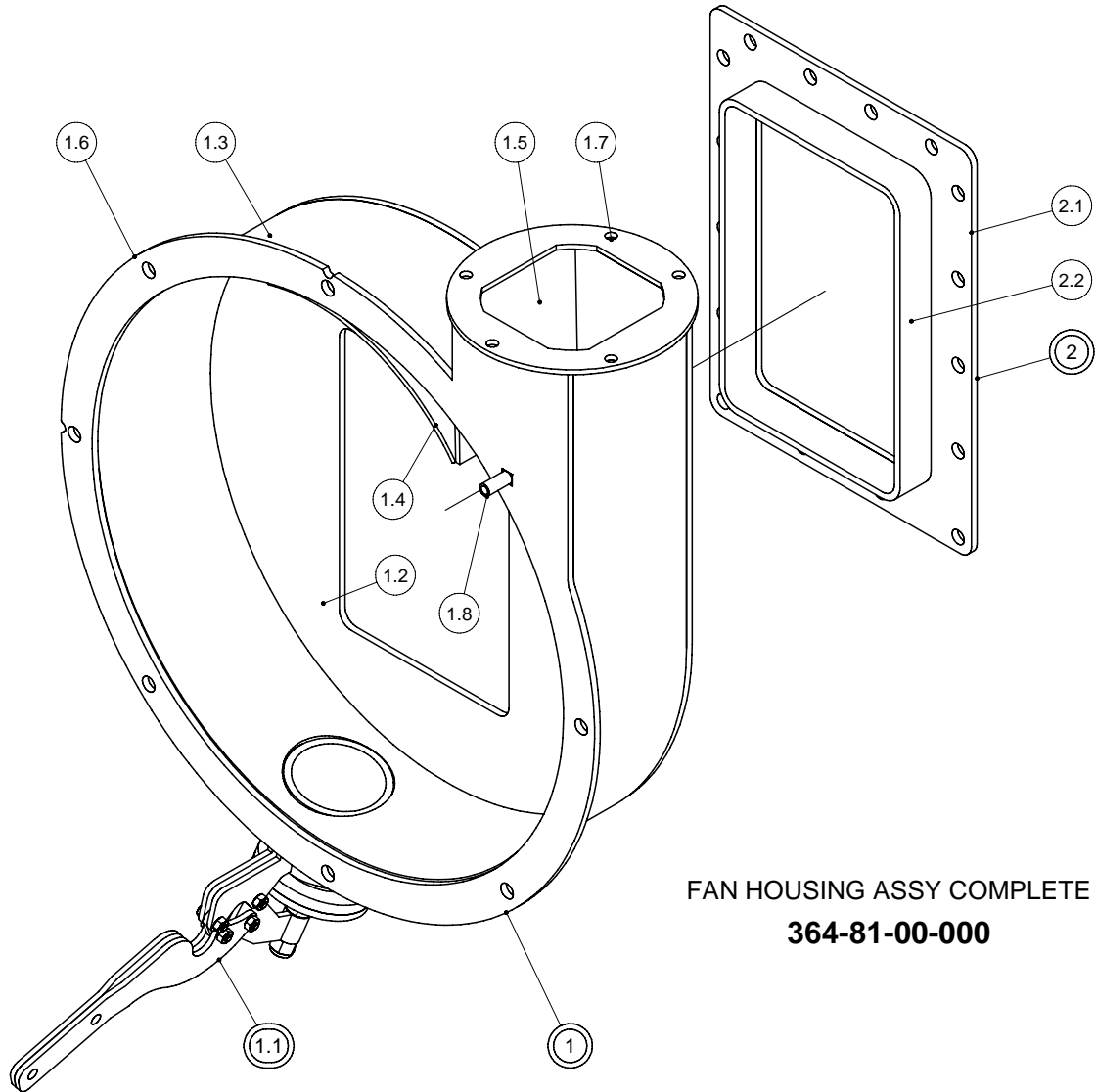
**1000 RPM FAN & HOUSING KIT  
364-56-01-000**

**540 RPM FAN & HOUSING KIT  
364-23-01-000**

PARTS LIST

ITEM	PART NUMBER	DESCRIPTION	QTY
1	364-56-01-000	1000 FAN & HOUSING KIT	1
1	364-23-01-000	540 FAN & HOUSING KIT	1
1.1	364-81-00-000	FAN HOUSING ASSY COMPLETE	1
1.2	364-66-01-000	1000 RPM FAN & COVER PLATE	1
1.2	364-65-01-000	540 RPM FAN & COVER PLATE	1
1.3	R07671	7/16 x 1 1/4 HEX BOLT	6
1.4	R07784	7/16 HEX NUT	8
1.5	R07804	7/16 LOCK WASHER	8
1.6	R07629	7/16 x 1 1/2 HEX BOLT	1
2	364-41-00-000	PTO HOLDER ASSY	1
2.1	364-41-00-132	PTO HOLDER	1
2.2	364-41-00-133	PTO HOLDER BRACKET	1
3	364-69-00-000	PLASTIC PTO GUARD KIT	1
3.1	R22196	SHEILD CONE ASSY	1
3.2	364-00-00-448	GUARD SUPPORT	1
3.3	R07802	5/16 LOCK WASHER	2
3.4	R07611	5/16 x 1" HEX BOLT	2

# FAN HOUSING ASSY



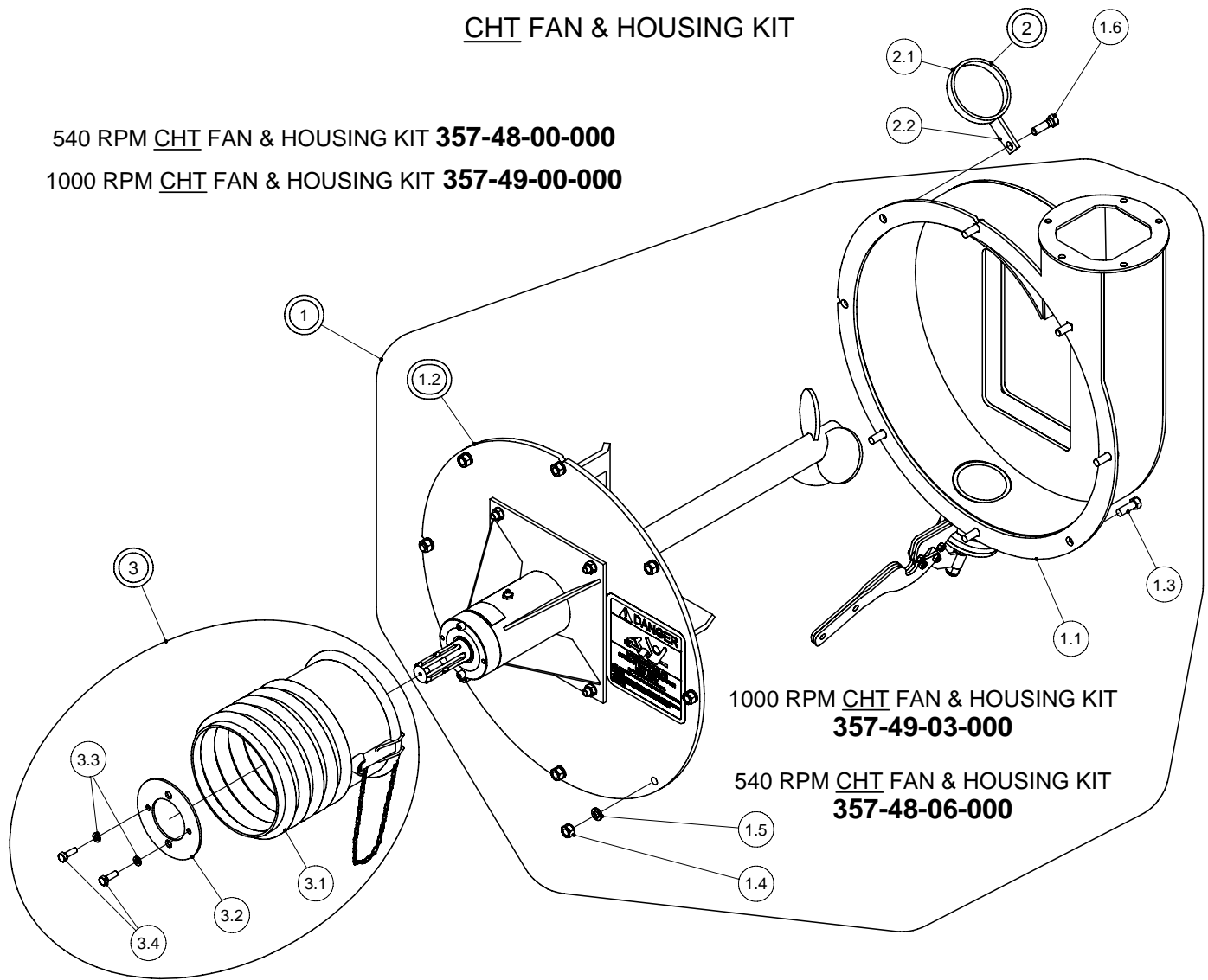
FAN HOUSING ASSY COMPLETE  
**364-81-00-000**

PARTS LIST			
ITEM	PART NUMBER	DESCRIPTION	QTY
1	364-81-01-000	FAN HOUSING ASSY LESS FLANGE	1
1.1	364-62-00-000	DRAIN PLUG KIT	1
1.2	364-01-03-106	HOUSING BACK PLATE	1
1.3	364-01-03-018	HOUSING BAND	1
1.4	364-01-03-156	HOUSING BAND AID	1
1.5	364-01-03-081	FAN HOUSING VERTICAL PC	1
1.6	364-01-03-019	HOUSING FLANGE	1
1.7	364-01-03-376	DISCHARGE RING	1
1.8	R07774	7/16 x 1 1/4" GR 5 CARRIAGE BOLT	1
2	364-81-02-000	HOUSING INLET FLANGE ASSY	1
2.1	364-81-02-393	HOUSING FLANGE	1
2.2	364-81-02-424	INLET EXTENSION TUBE	1

## CHT FAN & HOUSING KIT

540 RPM CHT FAN & HOUSING KIT **357-48-00-000**

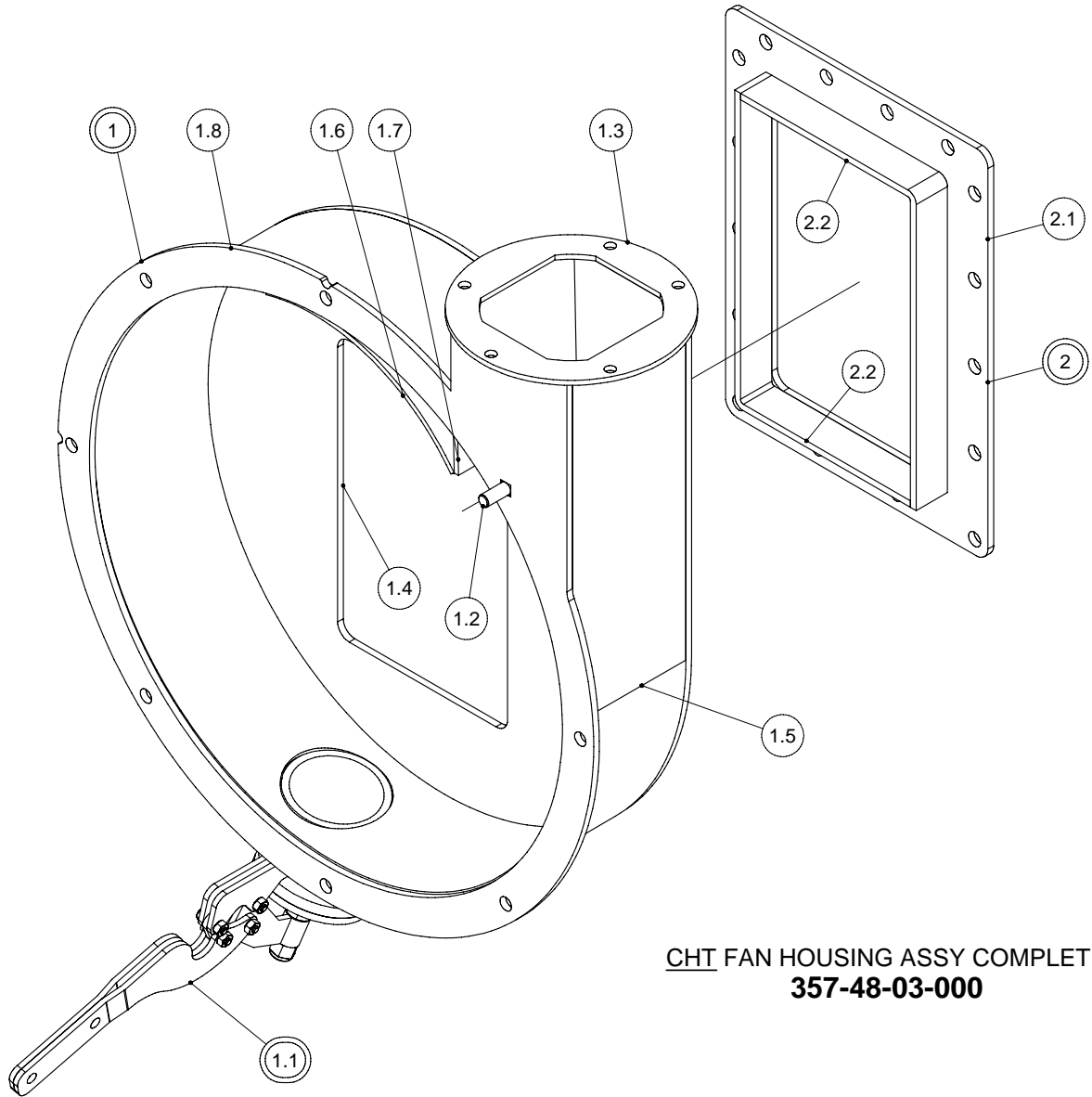
1000 RPM CHT FAN & HOUSING KIT **357-49-00-000**



PARTS LIST			
ITEM	PART NUMBER	DESCRIPTION	QTY
1	357-49-03-000	CHT 1000 RPM FAN & HOUSING KIT	OPT
1	357-48-06-000	CHT 540 FAN & HOUSING KIT	1
1.1	357-48-03-000	CHT FAN HOUSING ASSY COMPLETE	1
1.2	364-66-01-000	1000 RPM FAN & COVER PALTE	OPT
1.2	364-65-01-000	540 RPM FAN & COVER PLATE	1
1.3	R07671	7/16 x 1 1/4 HEX BOLT	6
1.4	R07784	7/16 HEX NUT	8
1.5	R07804	7/16 LOCK WASHER	8
1.6	R07629	7/16 x 1 1/2 HEX BOLT	1
2	364-41-00-000	PTO HOLDER ASSY	1
2.1	364-41-00-132	PTO HOLDER	1
2.2	364-41-00-133	PTO HOLDER BRACKET	1
3	364-69-00-000	PLASTIC PTO GUARD KIT	1
3.1	R22196	SHEILD CONE ASSY	1
3.2	364-00-00-448	GUARD SUPPORT	1
3.3	R07802	5/16 LOCK WASHER	2
3.4	R07611	5/16 x 1" HEX BOLT	2

OPT = OPTIONAL

## CHT FAN HOUSING ASSY

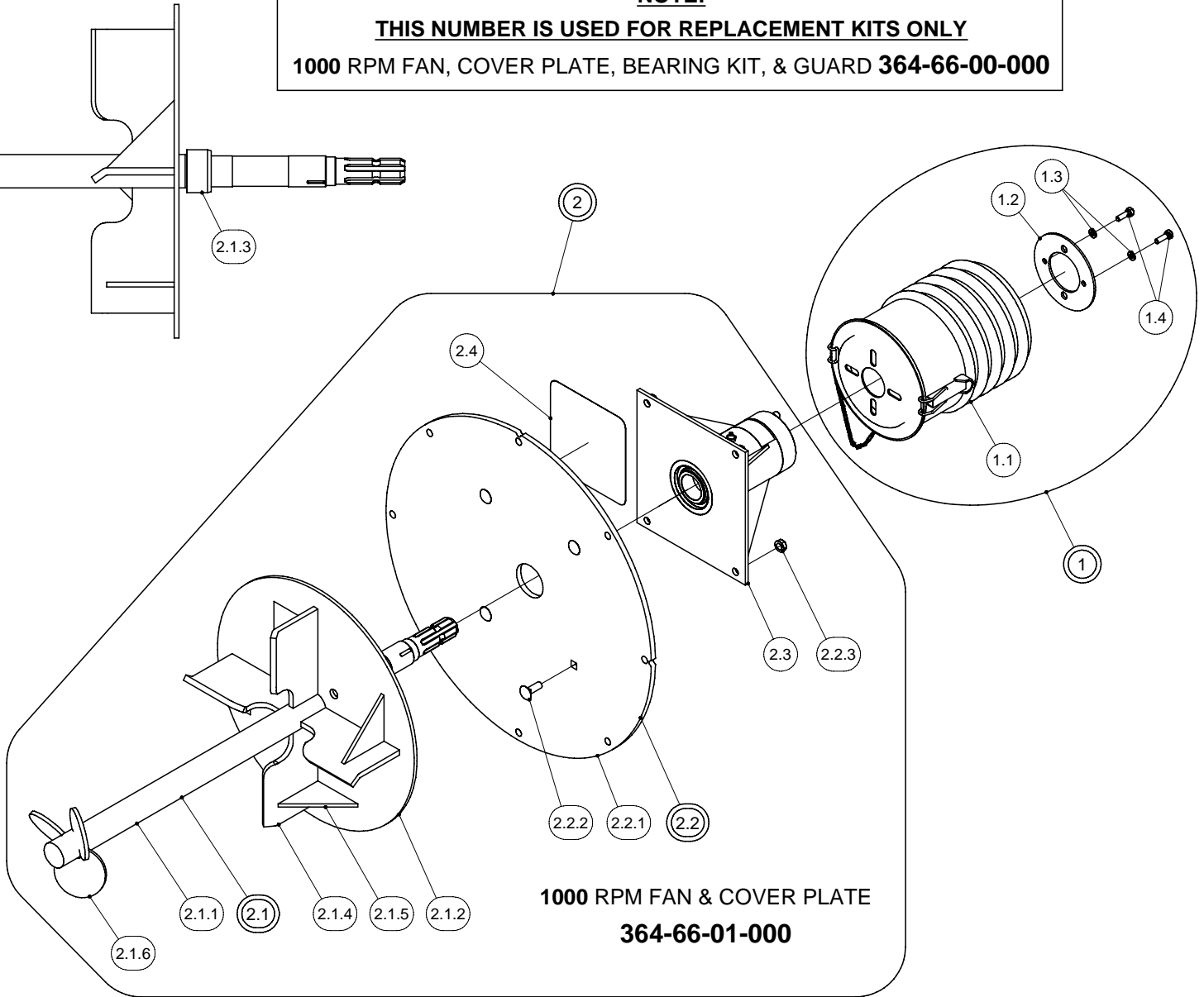


**CHT FAN HOUSING ASSY COMPLETE**  
**357-48-03-000**

PARTS LIST			
ITEM	PART NUMBER	DESCRIPTION	QTY
1	357-48-01-000	CHT FAN HOUSING ASSY LESS FLANGE	1
1.1	364-62-00-000	DRAIN PLUG KIT	1
1.2	R07774	7/16 x 1 1/4 UNC CARRIAGE BOLT	1
1.3	364-01-03-376	DISCHARGE RING	1
1.4	357-48-01-228	CHT HOUSING BACK PLATE	1
1.5	357-48-01-232	CHT HOUSING BAND	1
1.6	357-48-01-231	CHT HOUSING BAND AID	1
1.7	357-48-01-230	CHT FAN HOUSING VERTICAL PC	1
1.8	357-48-01-229	CHT HOUSING FLANGE	1
2	357-48-02-000	CHT HOUSING INLET FLANGE ASSY	1
2.1	364-81-02-393	HOUSING FLANGE	1
2.2	357-48-02-233	CHT INLET EXTENSION	2

# 1000 RPM FAN, COVER PLATE & BRG KIT

**NOTE:**  
**THIS NUMBER IS USED FOR REPLACEMENT KITS ONLY**  
**1000 RPM FAN, COVER PLATE, BEARING KIT, & GUARD 364-66-00-000**

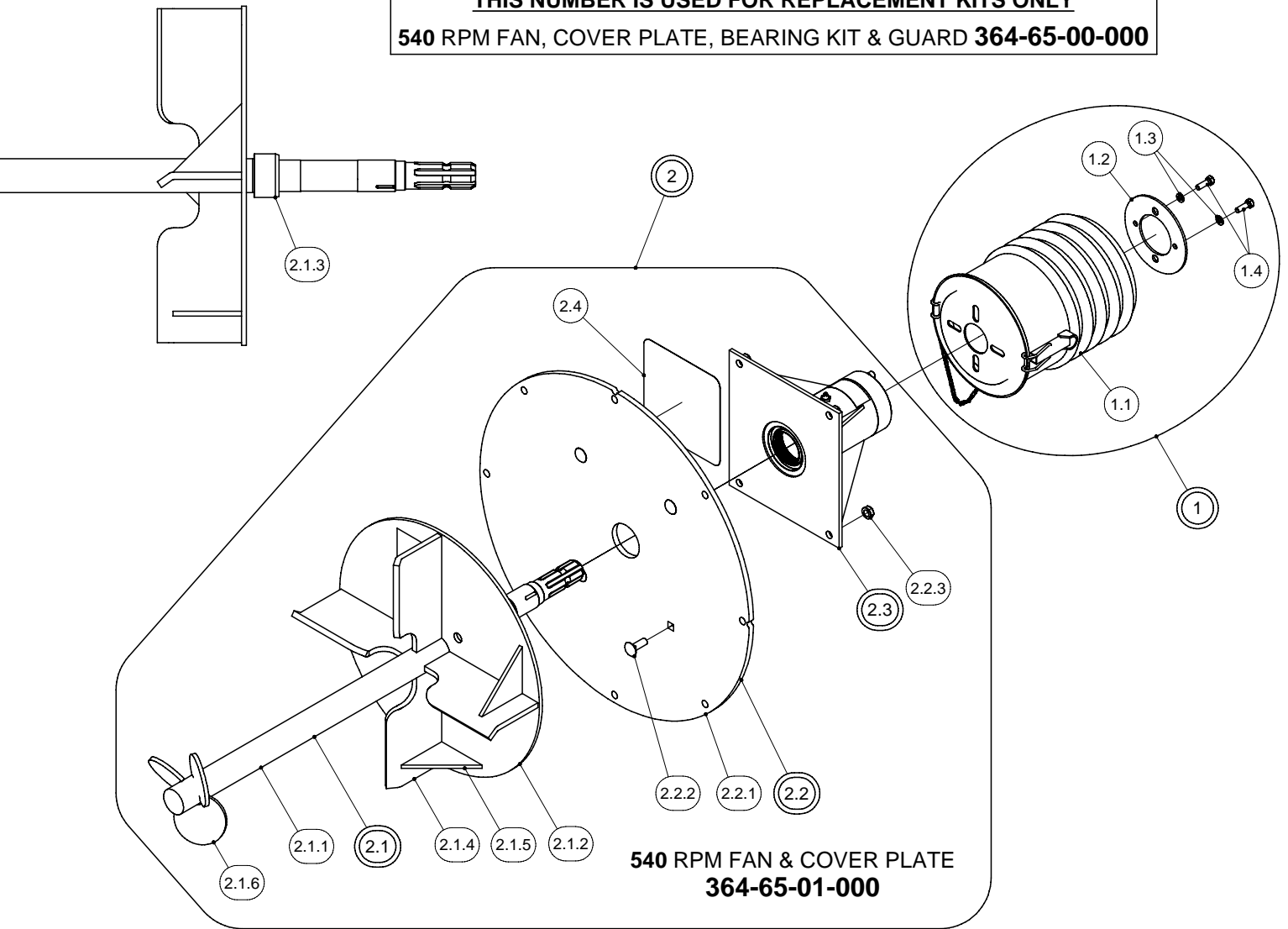


**1000 RPM FAN & COVER PLATE**  
**364-66-01-000**

PARTS LIST				PARTS LIST			
ITEM	PART NUMBER	DESCRIPTION	QTY	ITEM	PART NUMBER	DESCRIPTION	QTY
1	364-69-00-000	PLASTIC PTO GUARD KIT	1	2.1.4	364-64-00-210	CHT 1000 RPM FAN BLADE	4
1.1	R22196	SHEILD CONE ASSY	1	2.1.5	364-72-00-422	FAN BLADE GUSSET	4
1.2	364-00-00-448	GUARD SUPPORT	1	2.1.6	364-72-00-227	AGITATOR BLADE	3
1.3	R07802	5/16 LOCK WASHER	2	2.2	364-67-00-000	COVER PLATE ASSY	1
1.4	R07611	5/16 x 1" HEX BOLT	2	2.2.1	364-67-00-211	HOUSING COVER PLATE	1
2	364-66-01-000	1000 RPM FAN & COVER PLATE	1	2.2.2	R07774	7/16 x 1 1/4" GR 5 CARRIAGE BOLT	4
2.1	364-73-00-000	1000 RPM SHAFT & IMP. ASSY - CHT	1	2.2.3	R07879	7/16 FLANGE NUT	4
2.1.1	364-72-00-226	FAN SHAFT	1	2.3	357-59-00-000	BEARINGS & HOLDER KIT 2002	1
2.1.2	364-63-00-209	FAN BACK PLATE	1	2.4	R09785	"DANGER ROTATING DRIVELINE"	1
2.1.3	R20238	HARDENED SEAL SLEEVE	1			DECAL	

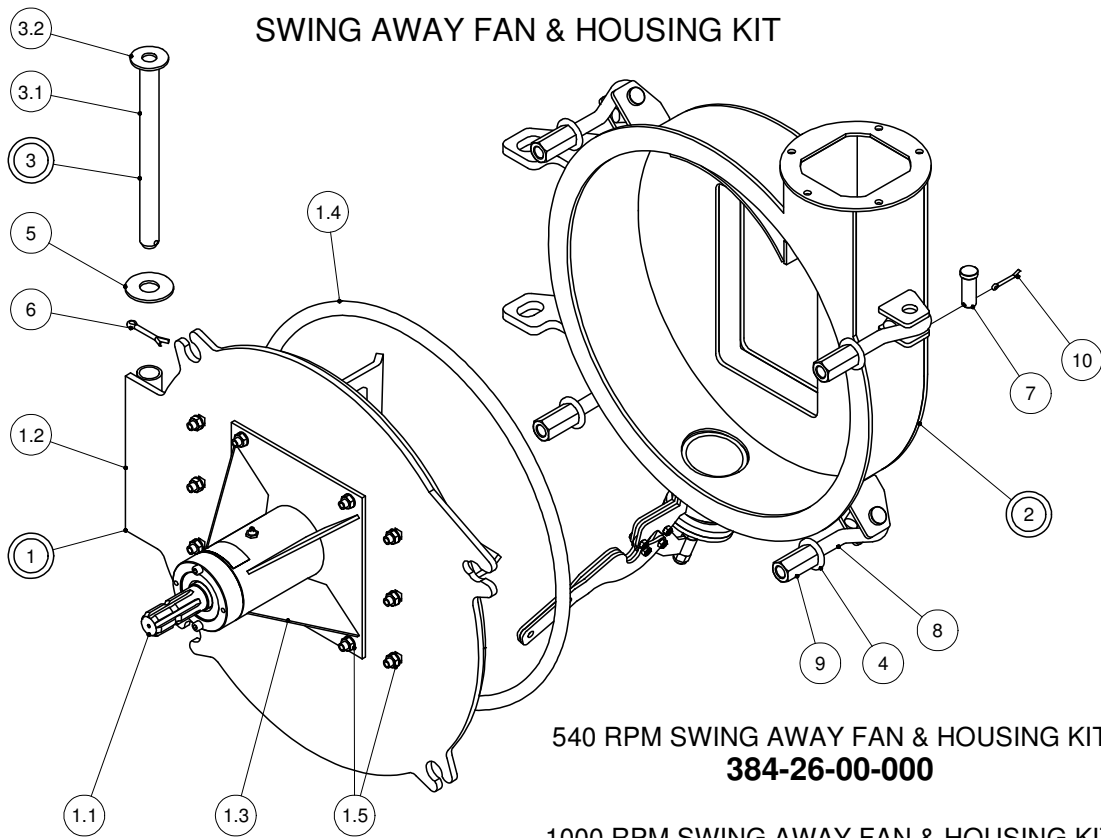
# 540 RPM FAN, COVER PLATE, & BRG KIT

**NOTE:**  
**THIS NUMBER IS USED FOR REPLACEMENT KITS ONLY**  
**540 RPM FAN, COVER PLATE, BEARING KIT & GUARD 364-65-00-000**



PARTS LIST				PARTS LIST			
ITEM	PART NUMBER	DESCRIPTION	QTY	ITEM	PART NUMBER	DESCRIPTION	QTY
1	364-69-00-000	PLASTIC PTO GUARD KIT	1	2.1.4	364-63-00-208	CHT 540 RPM FAN BLADE	4
1.1	R22196	SHEILD CONE ASSY	1	2.1.5	364-72-00-422	FAN BLADE GUSSET	4
1.2	364-00-00-448	GUARD SUPPORT	1	2.1.6	364-72-00-227	AGITATOR BLADE	3
1.3	R07802	5/16 LOCK WASHER	2	2.2	364-67-00-000	COVER PLATE ASSY	1
1.4	R07611	5/16 x 1" HEX BOLT	2	2.2.1	364-67-00-211	HOUSING COVER PLATE	1
2	364-65-01-000	540 RPM FAN & COVER PLATE	1	2.2.2	R07774	7/16 x 1 1/4" GR 5 CARRIAGE BOLT	4
2.1	364-72-00-000	540 RPM SHAFT & IMP. ASSY - CHT	1	2.2.3	R07879	7/16 FLANGE NUT	4
2.1.1	364-72-00-226	FAN SHAFT	1	2.3	357-59-00-000	BEARINGS & HOLDER KIT 2002	1
2.1.2	364-63-00-209	FAN BACK PLATE	1	2.4	R09785	"DANGER ROTATING DRIVELINE"	1
2.1.3	R20238	HARDENED SEAL SLEEVE	1			DECAL	

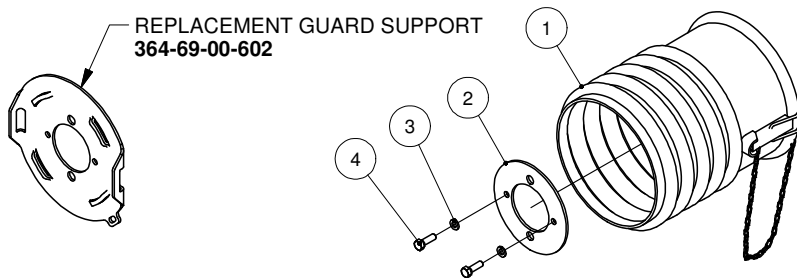
## SWING AWAY FAN & HOUSING KIT



**540 RPM SWING AWAY FAN & HOUSING KIT  
384-26-00-000**

**1000 RPM SWING AWAY FAN & HOUSING KIT  
384-27-00-000**

PARTS LIST				PARTS LIST			
ITEM	PART NUMBER	DESCRIPTION	QTY	ITEM	PART NUMBER	DESCRIPTION	QTY
1	384-26-01-000	540rpm S.A. FAN & COVERPLATE-CHT	1	3	376-02-04-000	LID PIN ASSY	1
	384-27-02-000	1000rpm S.A. FAN & COVERPLATE-CHT	1	3.1	376-02-04-508	LID PIN	1
1.1	384-20-05-000	540 RPM SHORT SHAFT & IMPELLER ASSY - CHT	1	3.2	R07827	3/4" FLAT WASHER	1
	384-27-01-000	1000 RPM SHORT SHAFT & IMPELLER ASSY - CHT	1	4	376-02-00-577	MANWAY WASHER	4
				5	R07828	1" FLAT WASHER	1
				6	R08016	1/4 x 2 COTTER PIN	1
1.2	384-20-03-000	HOUSING HATCH ASSY	1	7	R08443	EYE BOLT PIN	4
1.3	357-59-00-000	BEARINGS & HOLDER KIT 2002	1	8	R08442	3/4" EYE BOLT	4
1.4	384-20-00-301	RUBBER SEAL	1	9	R07800	3/4" COUPLING NUT	4
1.5	R07879	7/16 FLANGE NUT	10	10	R08207	5/32 x 1 1/2 S.S. COTTER PIN	4
2	384-20-01-000	HOUSING ASSY-CHT(2007)	1				

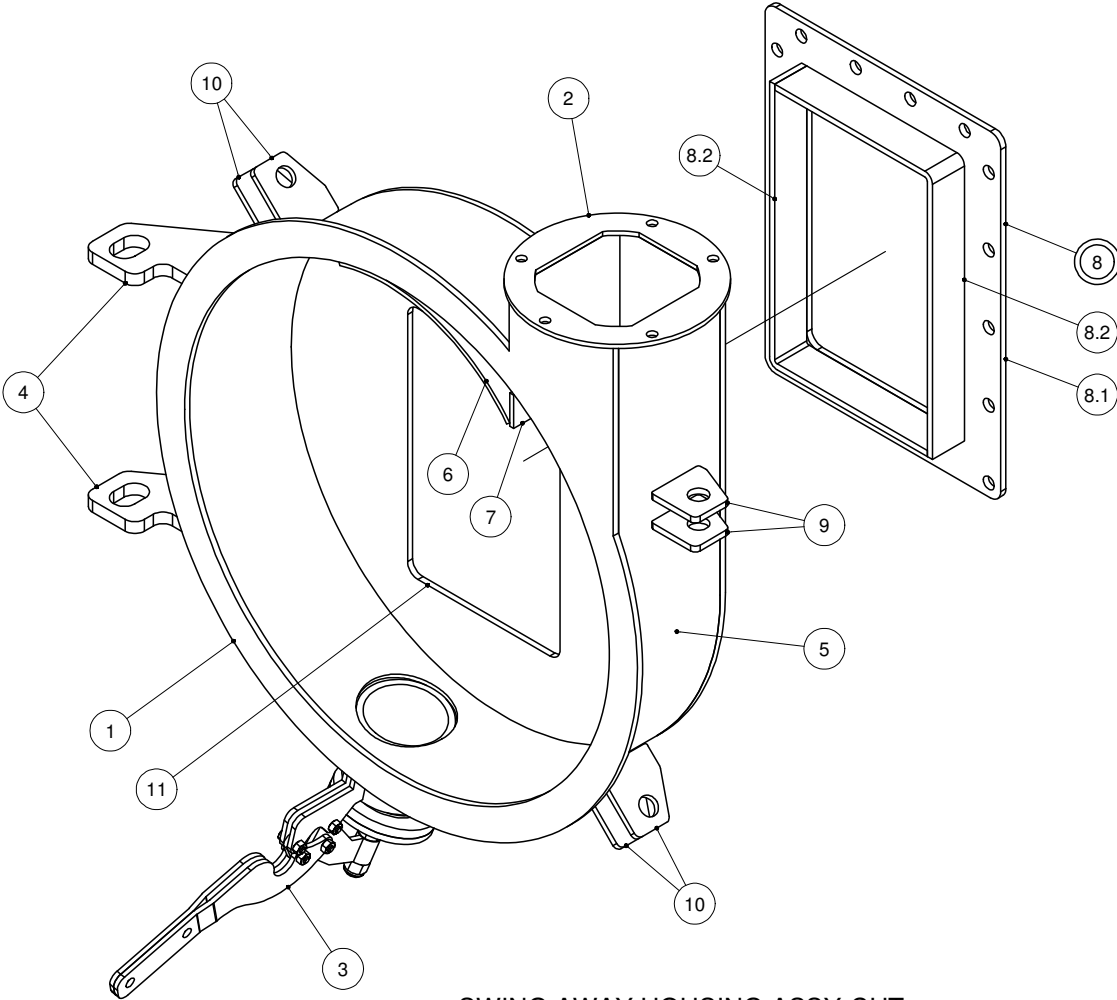


**PLASTIC PTO GUARD KIT  
364-69-00-000**

PARTS LIST				PARTS LIST			
ITEM	PART NUMBER	DESCRIPTION	QTY	ITEM	PART NUMBER	DESCRIPTION	QTY
1	R22196	SHEILD CONE ASSY	1	3	R07802	5/16 LOCK WASHER	2
2	364-00-00-448	GUARD SUPPORT	1	4	R07611	5/16 x 1" HEX BOLT	2



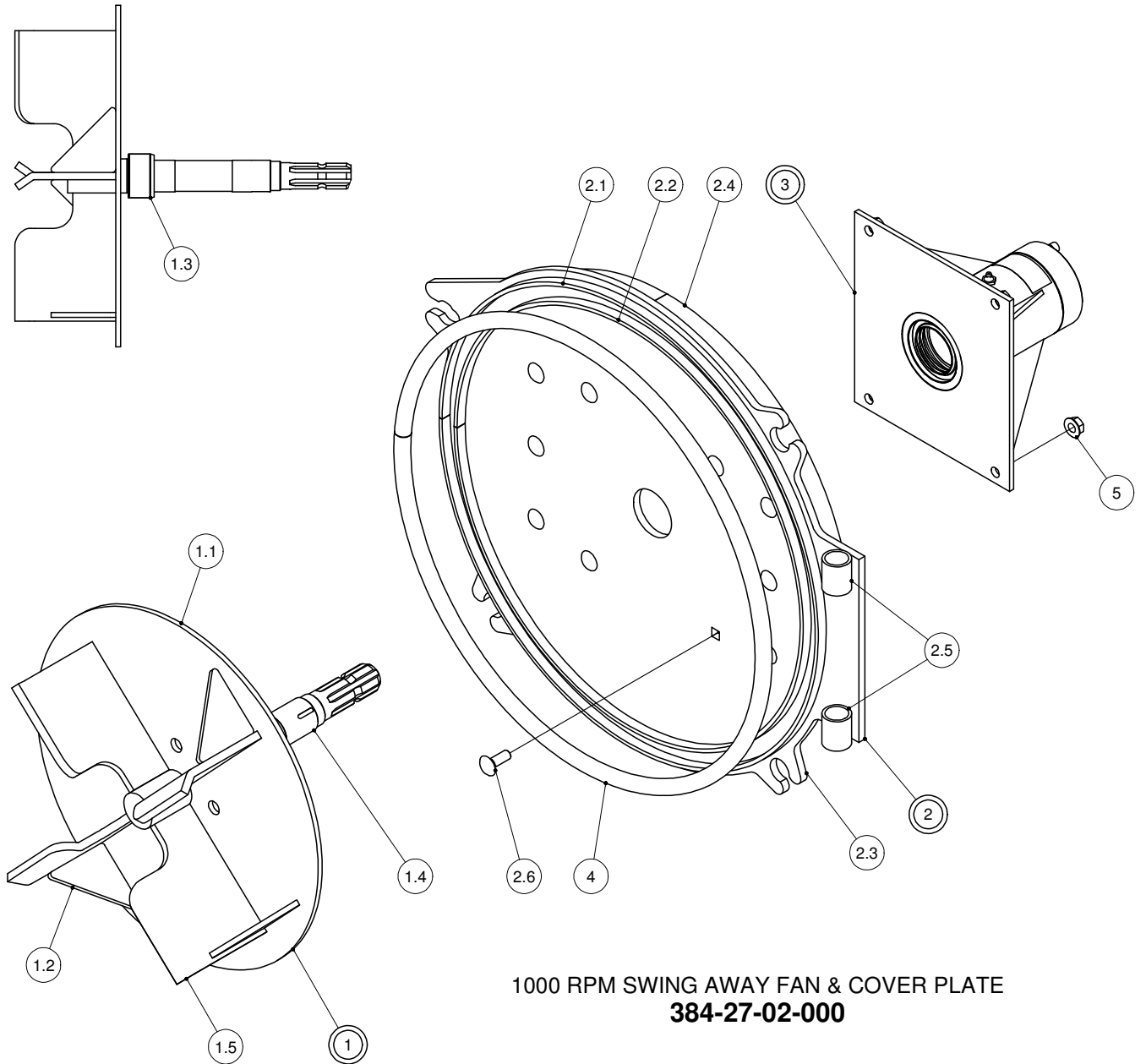
SWING AWAY HOUSING ASSY-CHT



SWING AWAY HOUSING ASSY-CHT  
**384-20-01-000**

PARTS LIST			
ITEM	PART NUMBER	DESCRIPTION	QTY
1	384-20-01-289	HOUSING FLANGE	1
2	364-01-03-376	DISCHARGE RING	1
3	364-62-00-000	DRAIN PLUG KIT	1
4	384-20-01-290	DOOR HINGE	2
5	357-48-01-232	CHT HOUSING BAND	1
6	357-48-01-231	CHT HOUSING BAND AID	1
7	357-48-01-230	CHT FAN HOUSING VERTICAL PC	1
8	357-48-02-000	CHT HOUSING INLET FLANGE ASSY	1
8.1	364-81-02-393	HOUSING FLANGE	1
8.2	357-48-02-233	CHT INLET EXTENSION	2
9	384-20-01-424	SHORT HOUSING LUG	2
10	384-20-01-423	HOUSING LUG	6
11	357-48-01-228	CHT HOUSING BACK PLATE	1

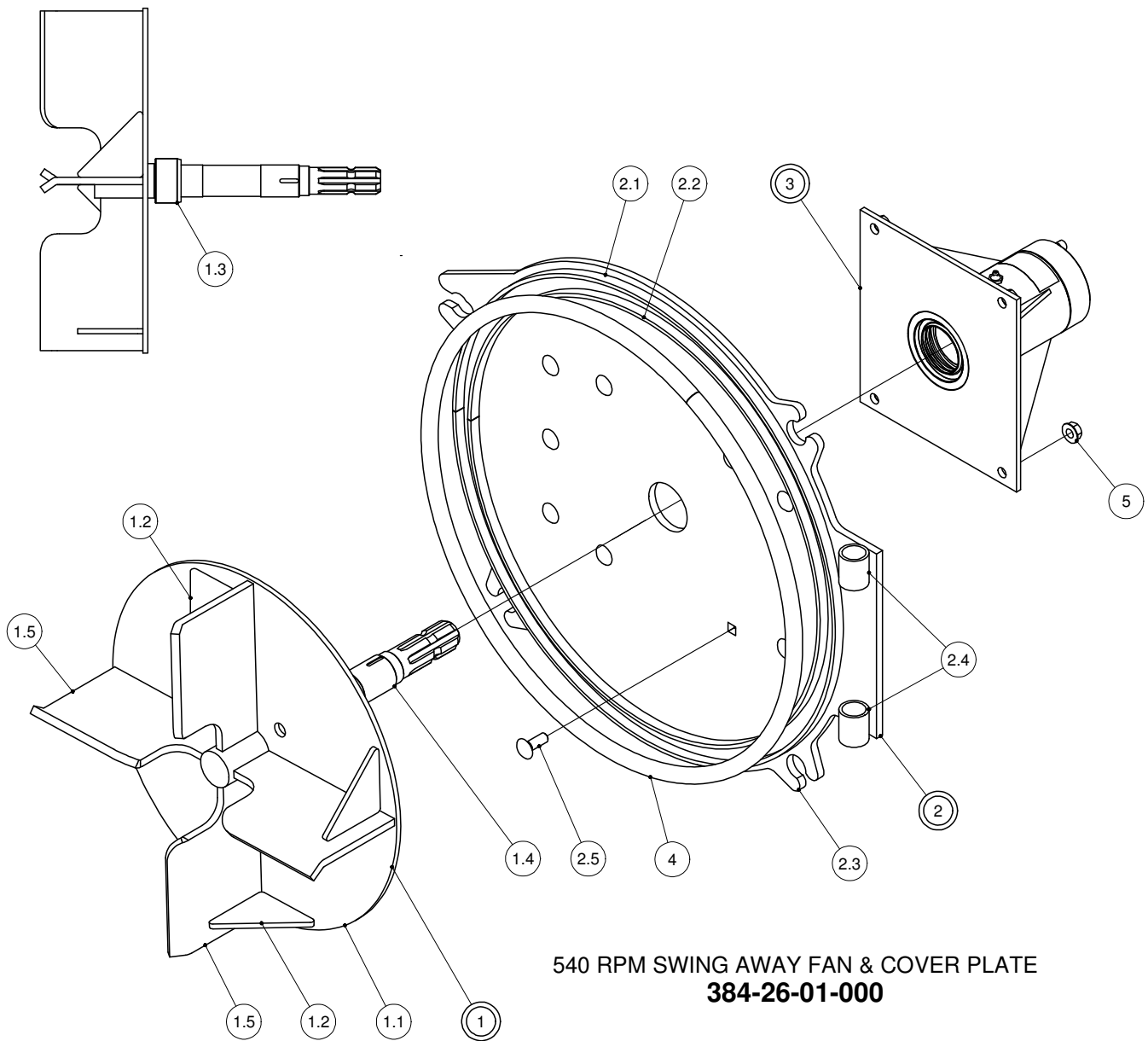
# SWING AWAY COVER PLATE - 1000 RPM



**1000 RPM SWING AWAY FAN & COVER PLATE  
384-27-02-000**

PARTS LIST				PARTS LIST			
ITEM	PART NUMBER	DESCRIPTION	QTY	ITEM	PART NUMBER	DESCRIPTION	QTY
1	384-27-01-000	1000 RPM SHORT SHAFT & IMPELLER ASSY - CHT	1	2.2	384-20-03-296	INNER RING	1
				2.3	384-20-03-294	COVER PLATE	1
1.1	364-63-00-209	FAN BACK PLATE	1	2.4	384-27-02-534	REIN. RING-1000 RPM COVER PLATE	1
1.2	364-72-00-422	FAN BLADE GUSSET	4	2.5	384-20-03-570	HATCH PIN SLEEVE	2
1.3	R20238	HARDENED SEAL SLEEVE	1	2.6	R07774	7/16 x 1 1/4 UNC CARRIAGE BOLT	10
1.4	384-20-05-318	SHORT FAN SHAFT	1	3	357-59-00-000	BEARINGS & HOLDER KIT 2002	1
1.5	384-27-01-542	CHT 1000 RPM HIGH FAN BLADE	4	4	384-20-00-301	RUBBER SEAL	1
2	384-27-03-000	HOUSING HATCH ASSY W/RING	1	5	R07879	7/16-14 UNC FLANGE NUT	10
2.1	384-20-03-295	OUTER RING	1				

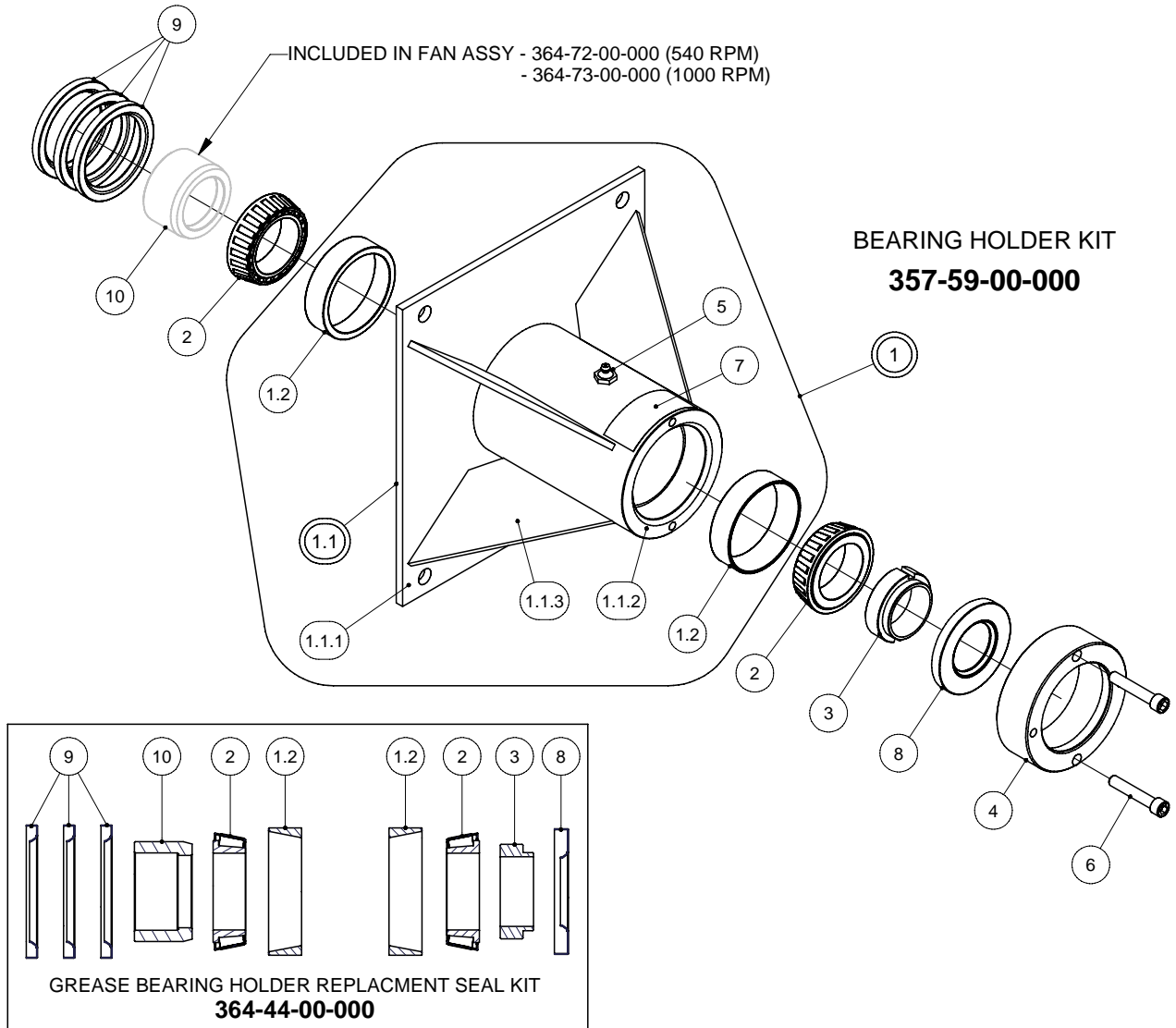
# SWING AWAY COVER PLATE - 540 RPM



**540 RPM SWING AWAY FAN & COVER PLATE  
384-26-01-000**

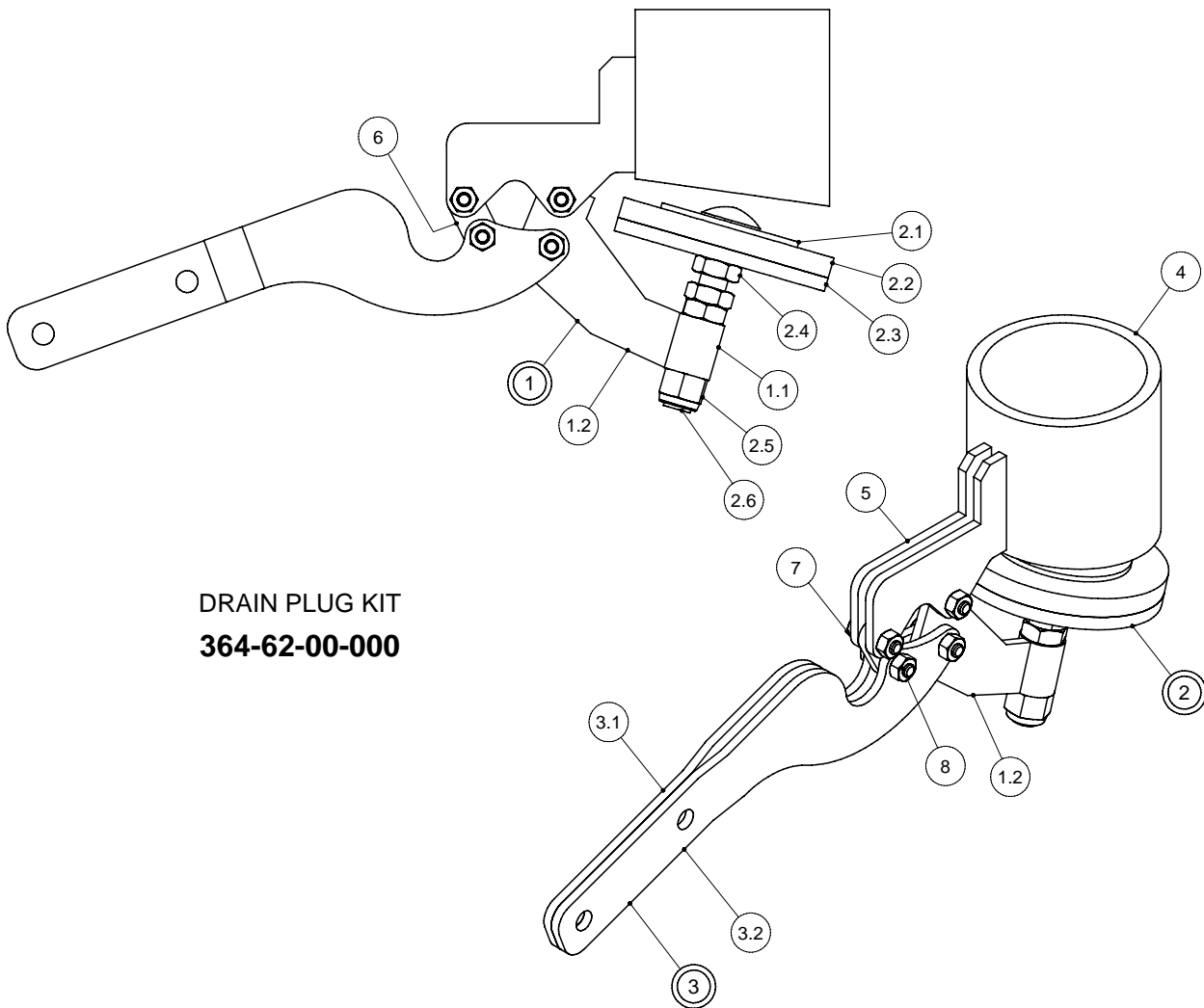
PARTS LIST				PARTS LIST			
ITEM	PART NUMBER	DESCRIPTION	QTY	ITEM	PART NUMBER	DESCRIPTION	QTY
1	384-20-05-000	540 RPM SHORT SHAFT & IMPELLER ASSY - CHT	1	2.1	384-20-03-295	OUTER RING	1
				2.2	384-20-03-296	INNER RING	1
1.1	364-63-00-209	FAN BACK PLATE	1	2.3	384-20-03-294	COVER PLATE	1
1.2	364-72-00-422	FAN BLADE GUSSET	4	2.4	384-20-03-570	HATCH PIN SLEEVE	2
1.3	R20238	HARDENED SEAL SLEEVE	1	2.5	R07774	7/16 x 1 1/4 UNC CARRIAGE BOLT	10
1.4	384-20-05-318	SHORT FAN SHAFT	1	3	357-59-00-000	BEARINGS & HOLDER KIT 2002	1
1.5	384-20-05-541	CHT 540 RPM FAN BLADE	4	4	384-20-00-301	RUBBER SEAL	1
2	384-20-03-000	HOUSING HATCH ASSY	1	5	R07879	7/16-14 UNC FLANGE NUT	10

# BEARING HOLDER KIT



PARTS LIST			
ITEM	PART NUMBER	DESCRIPTION	QTY
1	357-59-01-000	BEARING HOLDER w/ CUPS KIT	1
1.1	357-59-02-000	BEARING BOX ASSY	1
1.1.1	364-61-00-192	SEAL TUBE BACK PLATE	1
1.1.2	364-61-00-191	BEARING TUBE	1
1.1.3	357-59-02-289	BEARING BOX GUSSET	4
1.2	R20113	LM501310 OUTER CUP	2
2	R20115	LM501349 OUTER CONE	2
3	364-00-00-212	STAKE NUT	1
4	364-00-00-332	SEAL TUBE KIT	1
5	R08188	1/4" NPT STRAIGHT GREASE FITTING	1
6	R08175	5/16 - 18 UNC x 1 3/4" CAP SCREW	2
7	R09787	GREASE DECAL	1
8	R21196	SL LIP SEAL 152833TB 1.5"	1
9	R21197	2.25 x 3.005 x .25 SEAL	3
10	R20238	HARDENED SEAL SLEEVE (NOT INCLUDED IN BEARING HOLDER KIT)	1

## DRAIN PLUG KIT

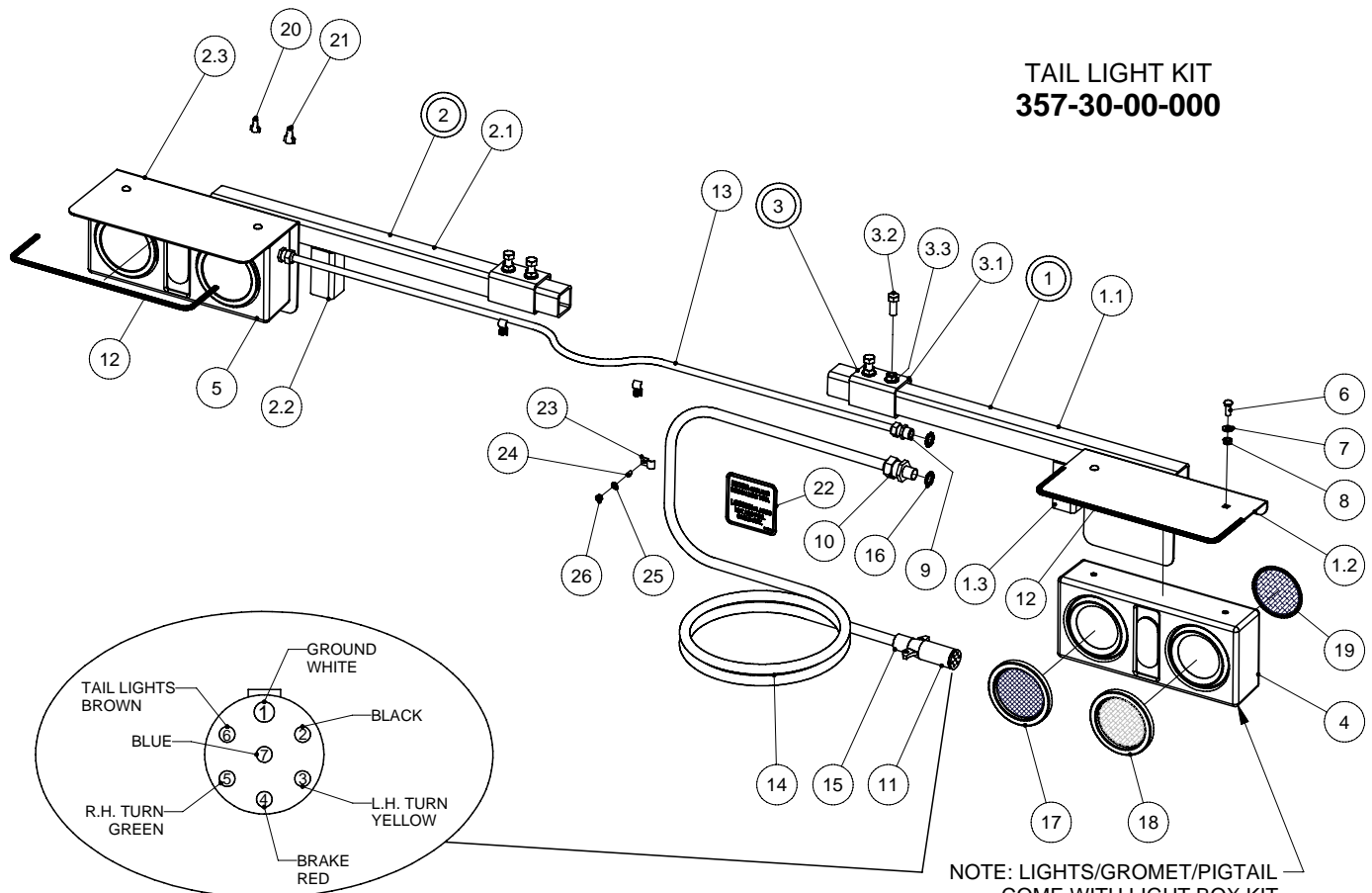


**DRAIN PLUG KIT**  
**364-62-00-000**

PARTS LIST			
ITEM	PART NUMBER	DESCRIPTION	QTY
1	364-62-01-000	DRAIN PLUG SLEEVE ASSY	1
1.1	364-62-01-201	SLEEVE	1
1.2	364-62-01-200	SLEEVE LINKAGE	1
2	364-62-05-000	DRAIN PLUG REPLACMENT KIT	1
2.1	364-62-04-370	PLUG WASHER	1
2.2	364-62-02-204	RUBBER PLUG	1
2.3	364-62-02-203	PLUG PLATE	1
2.4	R08046	1/2 - 13 JAM NUT	3
2.5	R08219	1/2 UNC NYLOCK NUT	1
2.6	R08316	1/2 x 3 1/2" FULL THREAD CAR BOLT	1
3	364-62-03-000	HANDLE ASSY	1
3.1	364-62-03-206	LH HANDLE	1
3.2	364-62-03-207	RH HANDLE	1
4	364-01-03-110	DRAIN PIPE	1
5	364-62-00-199	PLUG HOUSING BRKT	2
6	364-62-00-205	SHORT LINKAGE	1
7	R08176	1/4 x 7/8" HEX BOLT	4
8	R08048	1/4" 2 WAY LOCK NUT	4

# TAIL LIGHT KIT

PARTS LIST				PARTS LIST			
ITEM	PART NUMBER	DESCRIPTION	QTY	ITEM	PART NUMBER	DESCRIPTION	QTY
1	357-30-01-000	RH LIGHT BAR ASSY	1	10	R10357	3/4" NYLON TITE CONNECTOR	1
1.1	357-30-01-171	LIGHT BAR	1	11	R10095	7 POLE CONNECTOR	1
1.2	357-30-01-172	RH LITE BOLT PLATE	1	12	357-30-00-311	SAFETY EDGING	2
1.3	357-30-01-173	STUB BAR	1	13	R04046	4-WIRE TRAILER CABLE - APPROX. 4M	1
2	357-30-02-000	LH LIGHT BAR ASSY	1	14	R04235	14/6 TRAILER CABLE - APPROX. 10.5M	1
2.1	357-30-01-171	LIGHT BAR	1	15	R09636	RUBBER BOOT	1
2.2	357-30-01-173	STUB BAR	1	16	R10345	1/2" ELECTRICAL BOX LOCK NUT	3
2.3	357-30-02-245	LH LITE BOLT PLATE	1	17	R10087	RED LIGHT KIT	2
3	357-30-03-000	MOUNT BRKT ASSY	2	18	R10347	AMBER LIGHT KIT w/ CLEAR BACK	2
3.1	357-30-03-174	MOUNT BRKT	1	19	R10346	AMBER REPLACEMENT LENS	2
3.2	R07674	1/2 x 1 1/4 HEX BOLT	2	20	R04343	#451 YELLOW WING NUT CONNECTOR	8
3.3	R07795	1/2" UNC FLANGE NUT	2	21	R04422	#452 RED WING NUT CONNECTOR	2
4	R10349	RH LAMP BOX w/ 2 LAMPS	1	22	R09808	CABLE - LIGHT BOX DECAL	1
5	R10348	LH LAMP BOX w/ 2 LAMPS	1	23	R21104	HYD. HOSE CLIPS	12
6	R07721	3/8 x 1 CARRIAGE BOLT	4	24	R08301	1/4 x 20 UNC x 1/2" WELD STUD	12
7	R07823	3/8 FLAT WASHER	4	25	R07801	1/4" LOCK WASHER	12
8	R07794	3/8 FLANGE NUT	4	26	R07781	1/4-20 UNC HEX NUT	12
9	R10193	1/2" NYLON TITE CONNECTOR	2				



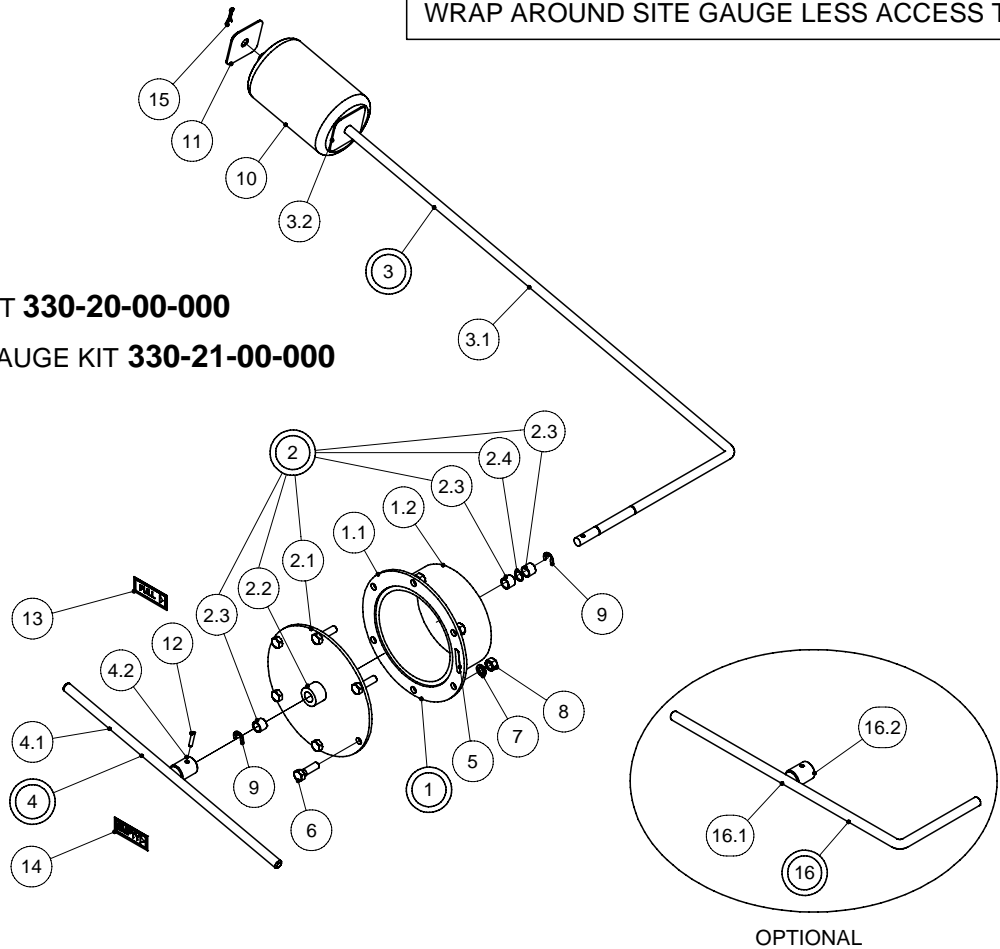
# SIGHT GAUGE KIT

PARTS LIST				PARTS LIST			
ITEM	PART NUMBER	DESCRIPTION	QTY	ITEM	PART NUMBER	DESCRIPTION	QTY
1	330-20-03-000	ACCESS TUBE ASSY	1	5	R04100	SILICONE SEALANT	1
1.1	330-20-03-560	ACCESS TUBE FLANGE	1	6	R07675	3/8 x 1 1/4" HEX BOLT	6
1.2	330-20-03-556	ACCESS TUBE	1	7	R07803	3/8 LOCK WASHER	6
2	330-20-04-000	COVER PLATE ASSY	1	8	R07783	3/8 HEX NUT	6
2.1	330-20-00-557	COVER PLATE	1	9	R07974	EXTERNAL RETAINING RING	2
2.2	330-20-04-562	BUSHING HOLDER	1	10	R09524	FLOAT	1
2.3	R21173	1/2 x 5/8 x 1/2" BRONZE BUSHING	3	11	330-20-01-552	FLOAT STRAPS	1
2.4	R20865	O-RING #11-014	1	12	R08241	3/16 x 1 SS ROLL PIN	1
3	330-20-01-000	FLOAT ARM ASSY	1	13	R09529	"FULL" DECAL	1
3.1	330-20-01-551	FLOAT ARM	1	14	R09530	"EMPTY" DECAL	1
3.2	330-20-01-552	FLOAT STRAPS	1	15	R08021	1/8 x 1 S.S. COTTER PIN	1
4	330-20-02-000	INDICATOR ARM ASSY	1	16	330-21-01-000	WRAP AROUND SITE ARM ASSY	1
4.1	330-20-02-554	INDICATOR ARM	1	16.1	330-19-46-546	WRAP AROUND SITE ARM	1
4.2	330-20-02-553	INDICATOR ARM HUB	1	16.2	330-20-02-553	INDICATOR ARM HUB	1

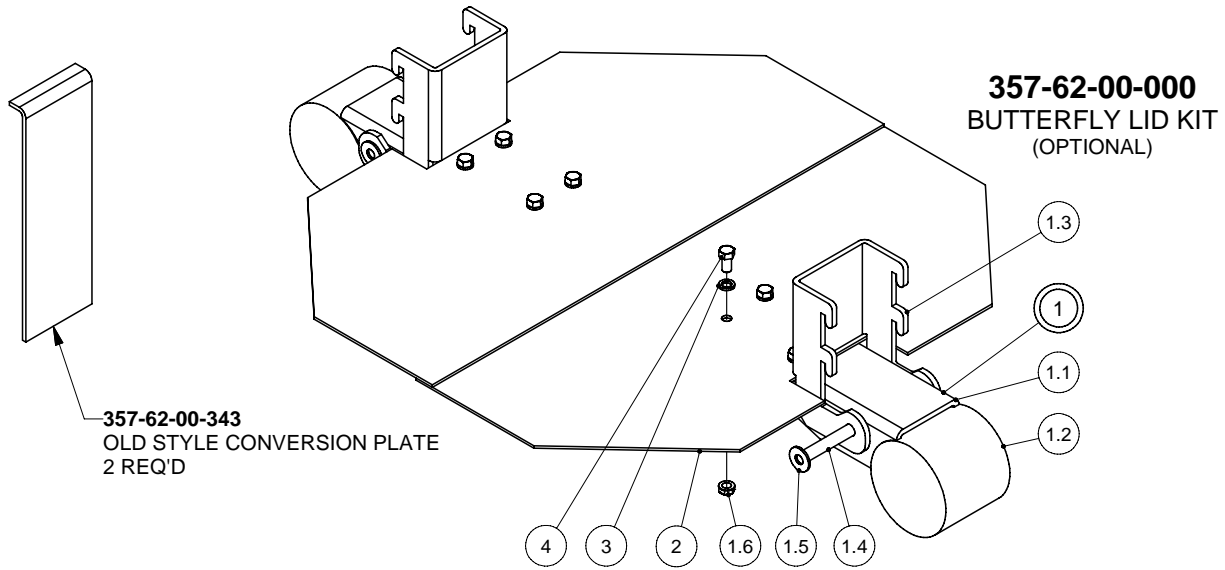
**330-22-00-000**  
SITE GAUGE LESS ACCESS TUBE

**330-23-00-000**  
WRAP AROUND SITE GAUGE LESS ACCESS TUBE

SIGHT GAUGE KIT **330-20-00-000**  
WRAP AROUND SIGHT GAUGE KIT **330-21-00-000**

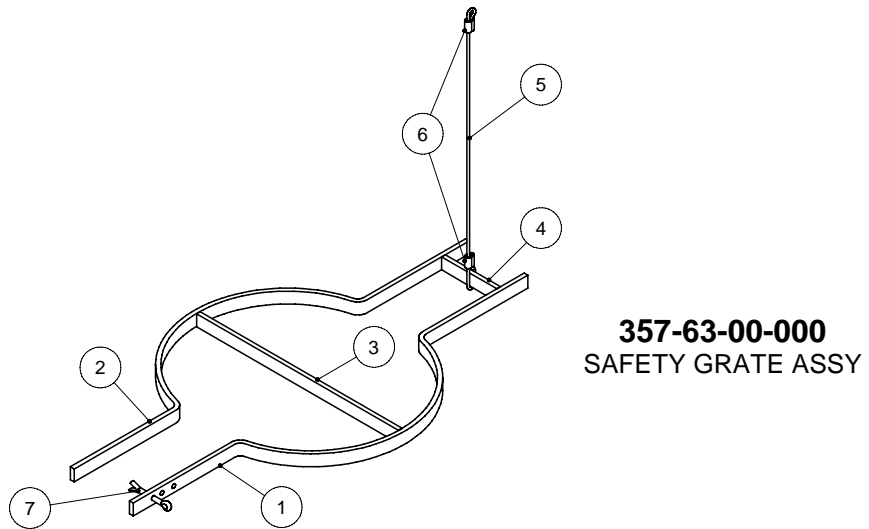


## BUTTERFLY LID & SAFETY GRATE



NOTE: WITH INSTALLATION OF A BUTTERFLY LID, A SAFETY GRATE MUST BE USED TO LOCK LID IN PLACE

PARTS LIST				PARTS LIST			
ITEM	PART NUMBER	DESCRIPTION	QTY	ITEM	PART NUMBER	DESCRIPTION	QTY
1	357-62-01-000	BUTTERFLY HINGE KIT	2	1.5	R07824	7/16 FLAT WASHER	2
1.1	357-62-01-316	U - CHANNEL HINGE	1	1.6	R07794	3/8 FLANGE NUT	4
1.2	357-62-01-317	COUNTER WEIGHT	1	2	357-62-00-318	BUTTERFLY LID	2
1.3	357-62-01-319	DROP-IN HINGE	1	3	R08319	3/8 S.S. LOCK WASHER	8
1.4	357-62-01-315	HINGE PIN	1	4	R08317	3/8 x 3/4 S.S. HEX BOLT	8

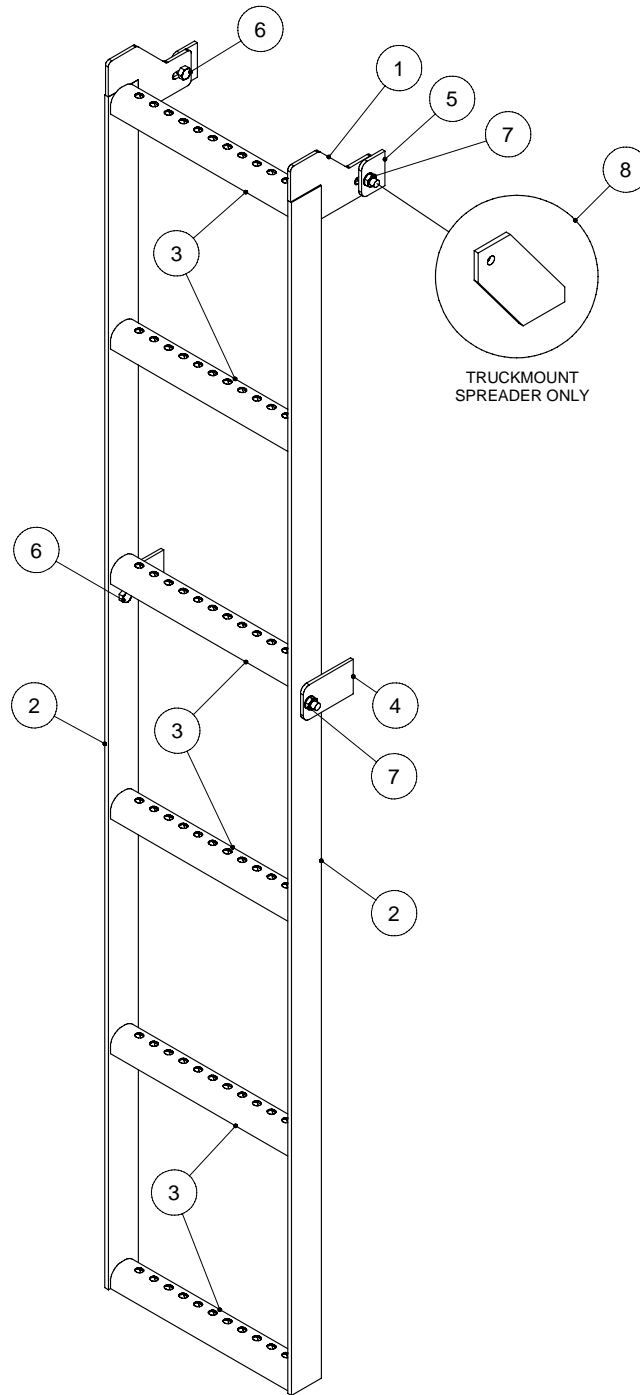


PARTS LIST			
ITEM	PART NUMBER	DESCRIPTION	QTY
1	357-63-00-320	SAFETY BAR w/ HOLE	1
2	357-63-00-332	SAFETY BAR	1
3	357-63-00-321	CROSS SAFETY BAR	1
4	357-63-00-322	STOP BAR	1
5	357-63-00-331	SAFETY CABLE	1
6	R08068	1/8" ALUMINUM CRIMP SLEEVES	2
7	R08016	1/4 x 2 COTTER PIN	1



# LADDER KIT

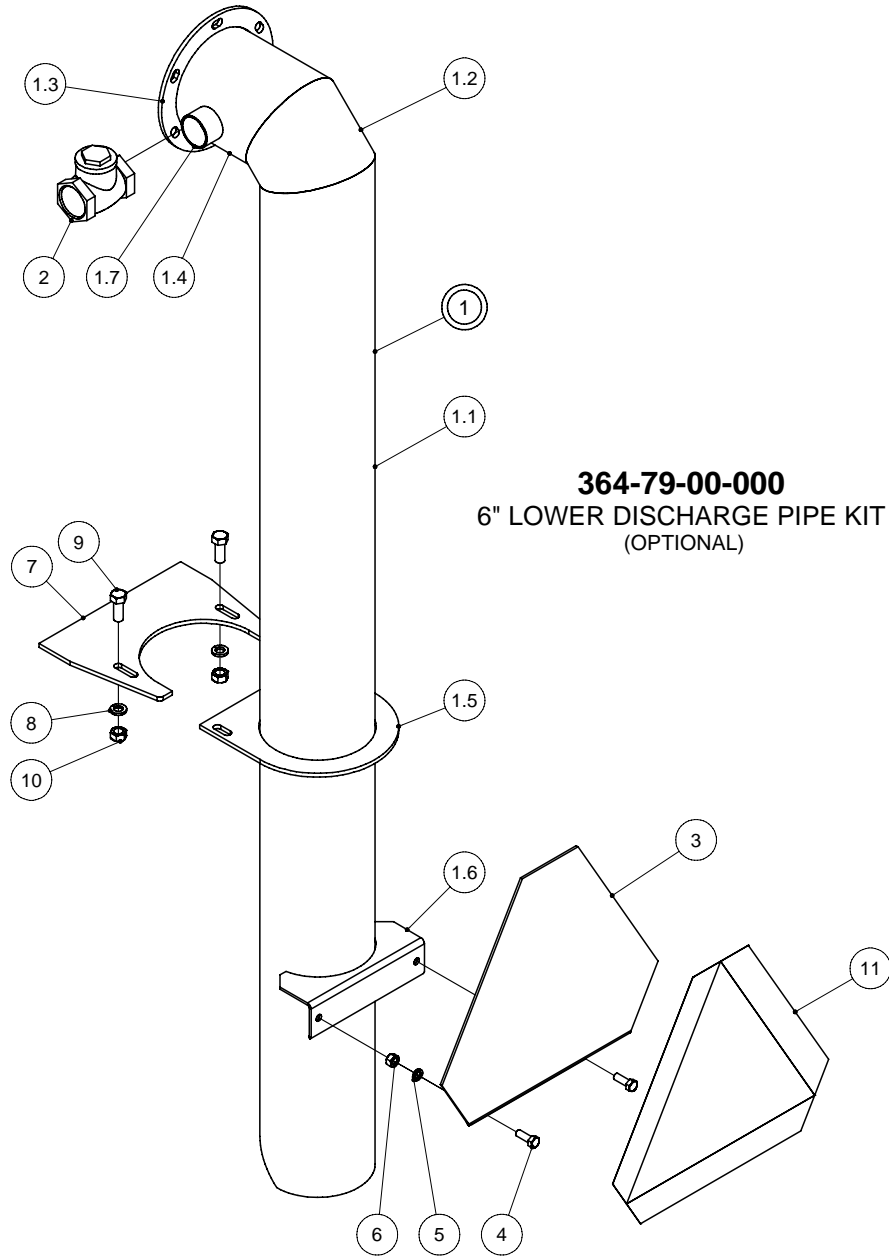
LADDER KIT  
364-95-00-000



## PARTS LIST

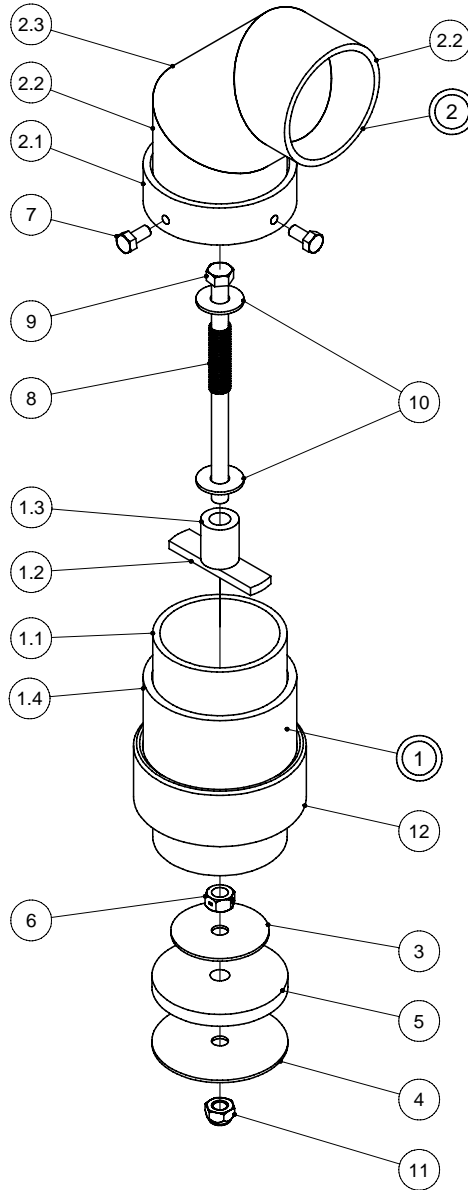
ITEM	PART NUMBER	DESCRIPTION	QTY
1	364-95-00-326	LADDER LUG	2
2	364-95-00-325	LADDER SIDE PC	2
3	364-95-00-324	LADDER RUNG	6
4	364-00-00-414	TANK LUG	2
5	364-95-00-327	UPPER TANK LUG	2
6	R07619	3/8 x 1 HEX BOLT	4
7	R07794	3/8 FLANGE NUT	4
8	384-00-00-216	LADDER BRKT	1

# LOWER DISCHARGE PIPE KIT



PARTS LIST				PARTS LIST			
ITEM	PART NUMBER	DESCRIPTION	QTY	ITEM	PART NUMBER	DESCRIPTION	QTY
1	364-79-01-000	6" DROP PIPE ASSY-15000 PROFILE TANK	1	3	200-00-00-132	S.M.V. SIGN HOLDER	1
				4	R07619	3/8 x 1 HEX BOLT	2
1.1	364-79-01-295	LONG DROP PIPE	1	5	R07803	3/8 LOCK WASHER	2
1.2	364-19-00-082	DISCHARGE PIPE CORNER PC	1	6	R07783	3/8 HEX NUT	2
1.3	364-19-00-087	DISCHARGE PIPE FLANGE	1	7	384-05-03-070	TANK BRKT	1
1.4	364-79-01-296	SHORT HORIZONTAL PIPE	1	8	R07805	1/2 LOCK WASHER	2
1.5	384-05-02-069	TUBE ATTACHMENT BRKT	1	9	R07674	1/2 x 1 1/4 HEX BOLT	2
1.6	308-77-00-226	S.M.V. SIGN HOLDER	1	10	R07785	1/2 HEX NUT	2
1.7	R02127	1 1/2 CLOSE NIPPLE	1	11	R09501	SLOW MOVING VEHICLE DECAL	1
2	R02490	1 1/2" CHECK VALVE	1				

# TANK VENT KIT



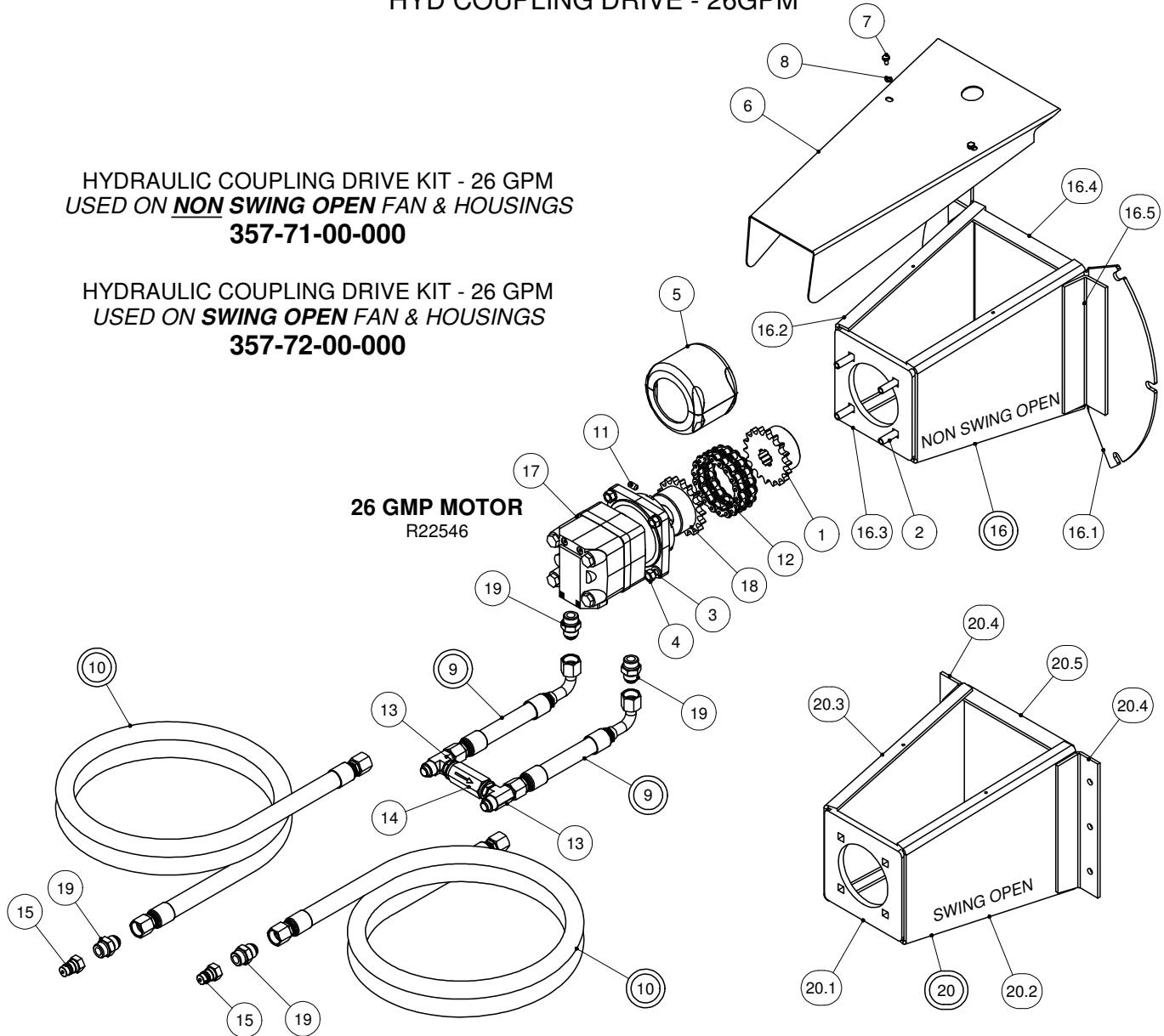
**TANK VENT KIT**  
**357-51-00-000**  
(OPTIONAL)

PARTS LIST				PARTS LIST			
ITEM	PART NUMBER	DESCRIPTION	QTY	ITEM	PART NUMBER	DESCRIPTION	QTY
1	357-51-01-000	VENT TUBE ASSY	1	4	357-51-00-258	LOWER STAINLESS STEEL WASHER	1
1.1	357-51-01-246	VENT TUBE	1	5	357-51-00-334	RUBBER PLUG	1
1.2	357-51-01-247	VENT STRAP	1	6	R07891	7/16 2-WAY LOCK NUT	1
1.3	357-51-01-248	INNER SLIDE TUBE	1	7	R07690	5/16 x 5/8 HEX BOLT	2
1.4	357-51-01-335	OUTER NIPPLE	1	8	357-51-00-249	SPRING	1
2	357-51-02-000	CAP ASSY	1	9	R07689	7/16 x 7 HEX BOLT	1
2.1	357-51-02-251	SLEEVE	1	10	R07833	7/16" SAE FLAT WASHER	2
2.2	357-51-02-252	ELBOW SECTION	2	11	R08178	7/16 NYLOCK HEX NUT	1
2.3	357-51-02-253	ELBOW MIDDLE SECTION	1	12	R02969	3 1/2" HALF COUPLER	1
3	357-51-00-250	STAINLESS STEEL WASHER	1				

# HYD COUPLING DRIVE - 26GPM

HYDRAULIC COUPLING DRIVE KIT - 26 GPM  
 USED ON **NON SWING OPEN FAN & HOUSINGS**  
**357-71-00-000**

HYDRAULIC COUPLING DRIVE KIT - 26 GPM  
 USED ON **SWING OPEN FAN & HOUSINGS**  
**357-72-00-000**

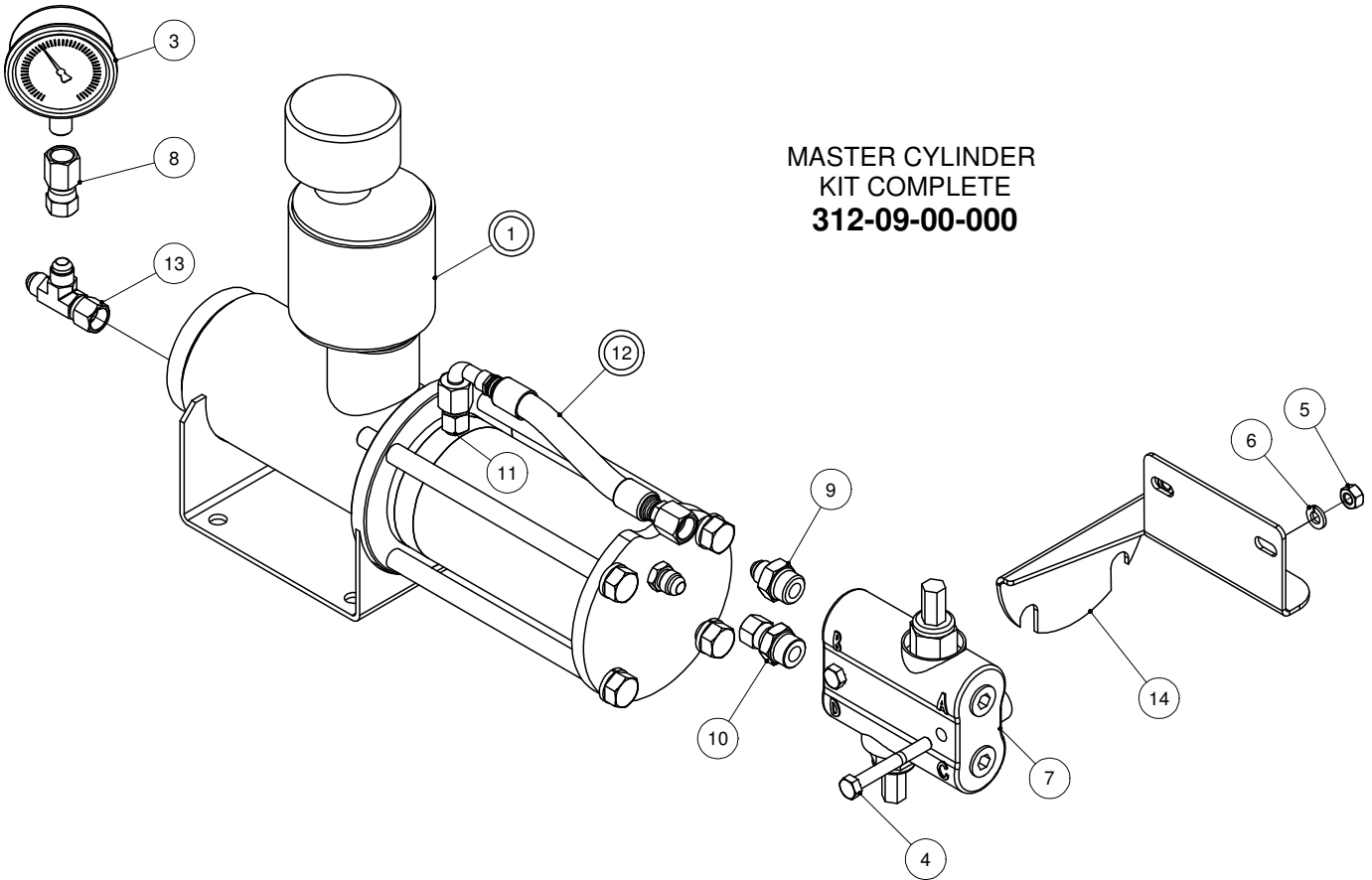


PARTS LIST				PARTS LIST			
ITEM	PART NUMBER	DESCRIPTION	QTY	ITEM	PART NUMBER	DESCRIPTION	QTY
1	384-02-00-072	SPROCKET FOR 6 TOOTH SPLINE	1	16	384-18-01-000	N.S.O. MOTOR MOUNT ASSY	1
2	R07744	1/2" x 2 CARRIAGE BOLT	4	16.1	384-18-01-273	LH EXTENSION PLATE	1
3	R07805	1/2 LOCK WASHER	4	16.2	384-18-01-274	RH LONG EXTENSION PLATE	1
4	R07785	1/2 HEX NUT	4	16.3	384-11-01-231	6000 & MLHT 160 SERIES MOUNT PLATE	1
5	R20617	60 - 18 COUPLING COVER	1	16.4	384-02-01-012	REINFORCING STRAP	2
6	384-02-00-005	GUARD	1	16.5	384-18-01-275	REINFORCING ANGLE	2
7	R07698	1/4 x 1/2 HEX BOLT	2	17	R22546	M+S HYD MOTOR - MLHT 160	1
8	R07801	1/4 LOCK WASHER	2	18	384-00-00-277	60B - 18 SPR.-1 1/2" STR SHAFT	1
9	364-48-32-000	3/4" HYD HOSE ASSY	2	19	R23098	ORB-12 x 3/4" JIC M. ADAPTOR	4
10	364-48-24-000	3/4" HYD HOSE ASSY	2	20	384-22-01-000	S.O. MOTOR MOUNT ASSY	1
11	R07911	3/8 x 3/4" SET SCREW	2	20.1	384-11-01-231	6000 & MLHT 160 SERIES MOUNT PLATE	1
12	R20883	60-18 COUPLING CHAIN	1	20.2	384-22-01-309	LH EXTENSION PLATE	1
13	R23066	3/4" X 3/4" JIC X ORB-12 M TEE	2	20.3	384-22-01-310	RH EXTENSION PLATE	1
14	R23328	ORB-12 IN-LINE CHECK VALVE	1	20.4	384-20-04-299	MOUNT ANGLE PLATES	2
15	R23182	MALE PIONEER TIP-ORB-10	2	20.5	384-02-01-012	REINFORCING STRAP	2

N.S.O = NON SWING OPEN

S.O. = SWING OPEN

# MASTER CYLINDER KIT COMPLETE



**MASTER CYLINDER  
KIT COMPLETE  
312-09-00-000**

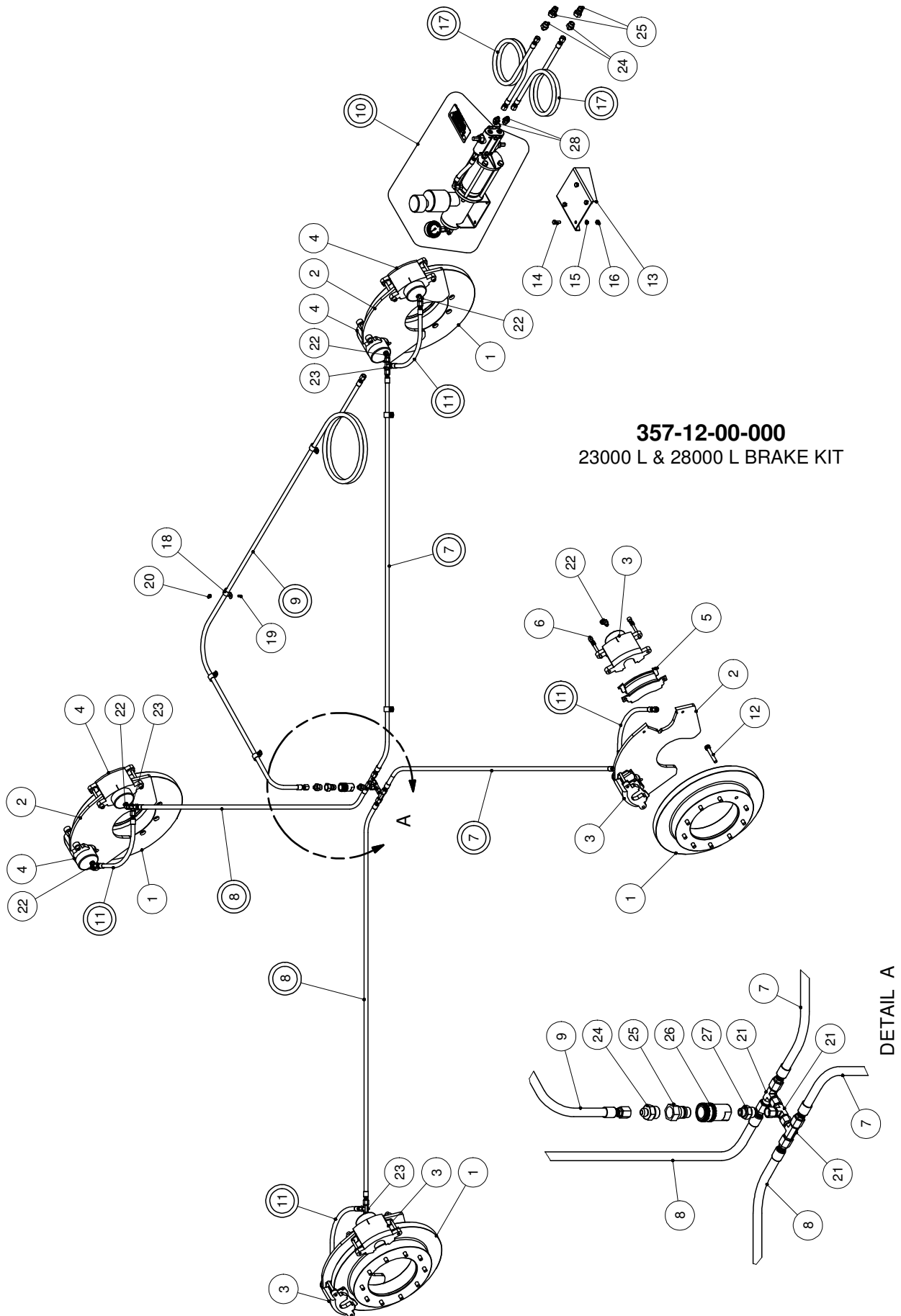
PARTS LIST			
ITEM	PART NUMBER	DESCRIPTION	QTY
1	312-06-00-000	MASTER CYLINDER KIT	1
3	R21250	2 1/2" SS PRESSURE GAUGE 2000 PSI	1
4	R07614	5/16" x 2 1/2 HEX BOLT	2
5	R07812	5/16 HEX NUT	2
6	R07802	5/16 LOCK WASHER	2
7	R21209	DUAL RELIEF VALVE	1
8	R23214	3/8" JIC F. X 1/4" NPT F. SW ADAPTER	1
9	R23091	ORB-8 X 3/8" JIC M ADAPTOR	1
10	R23197	ORB-8 X 3/8" JIC F. SW ADAPTER	1
11	R23048	3/8" JIC M. x 1/4" NPT M.	1
12	312-06-05-000	HYD HOSE ASSY	1
13	R23219	3/8" M X 3/8"FSW X 3/8"M JIC TEE	1
14	312-09-00-063	RELIEF VALVE MOUNT PLATE	1



# MASTER CYLINDER KIT

PARTS LIST			
ITEM	PART NUMBER	DESCRIPTION	QTY
1	312-06-02-000	MASTER CYLINDER TUBE ASSY	1
1.1	312-06-02-034	MOUNT PLATE	1
1.2	312-06-02-030	MASTER CYLINDER TUBE	1
1.3	312-06-02-031	MASTER CYLINDER FLANGE	1
1.4	312-06-02-033	COUPLER	1
1.5	312-06-02-032	MASTER CYLINDER END CAP	1
1.6	R23151	3/8" M. JIC WELD FITTING	1
2	312-06-03-000	RESEVOIR ASSY	1
2.1	312-06-03-041	RESERVOIR TUBE	1
2.2	312-06-03-045	RESERVOIR COUPLING	1
2.3	312-06-03-042	RESEVOIR TOP PLATE	1
2.4	312-06-03-043	RESEVOIR BOTTOM PLATE	1
2.5	312-06-03-046	RESERVOIR NIPPLE	1
3	R21103	FILLER BREATHER	1
4	312-06-00-039	MASTER CYLINDER PLUNGER	1
5	R20873	TEFLON BACK UP #334	4
6	R20868	EP "O" RING #334 (2 5/8 x 3/16")	3
7	312-06-00-040	SHAFT	1
8	R20869	EP "O" RING 012 (3/8 x 1/2 x 1/16")	1
9	R20870	EP "O" RING 014 (1/2 x 5/8 x 1/16")	1
10	R07885	1/2 - 2 WAY LOCK NUT	2
11	R20774	3/4" HYTREL ROD WIPER 52-750	1
12	R21207	3/8" CHECK VALVE	2
13	R20874	3/4" HYTREL ROD WIPER 52-750	1
14	R20871	EP "O" RING 210 (3/4 x 1 x 1/8")	1
15	312-06-00-037	CYLINDER DIVIDER BLOCK	1
16	R20836	"O" RING #11-334 (2 5/8 x 3 x 3/16")	3
17	R20865	O-RING #11-014	1
18	312-06-00-038	HYDRAULIC PLUNGER	1
19	R20837	BACK UP #8-334	2
20	312-06-00-035	HYDRAULIC CYLINDER TUBE	1
21	312-06-00-036	HYDRAULIC CYLINDER END CAP	1
22	R07805	1/2 LOCK WASHER	4
23	R08434	1/2 x 13 UNC x 8 1/2" HEX BOLT	4
24	R09689	"CAUTION" DECAL	1
25	R23151	3/8" M. JIC WELD FITTING	1

# 23000L & 28000L BRAKE KIT

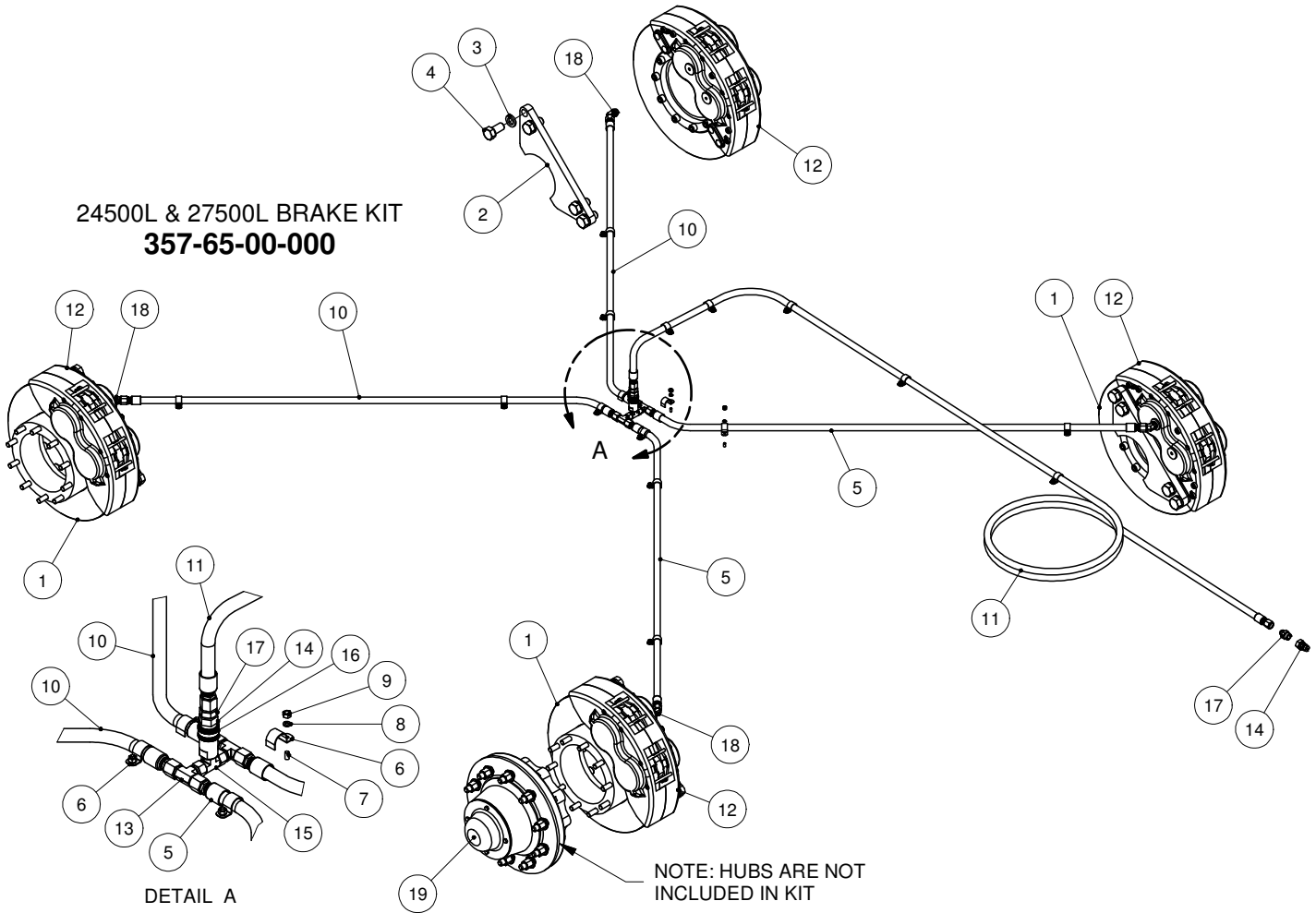




## 23000L & 28000L BRAKE KIT

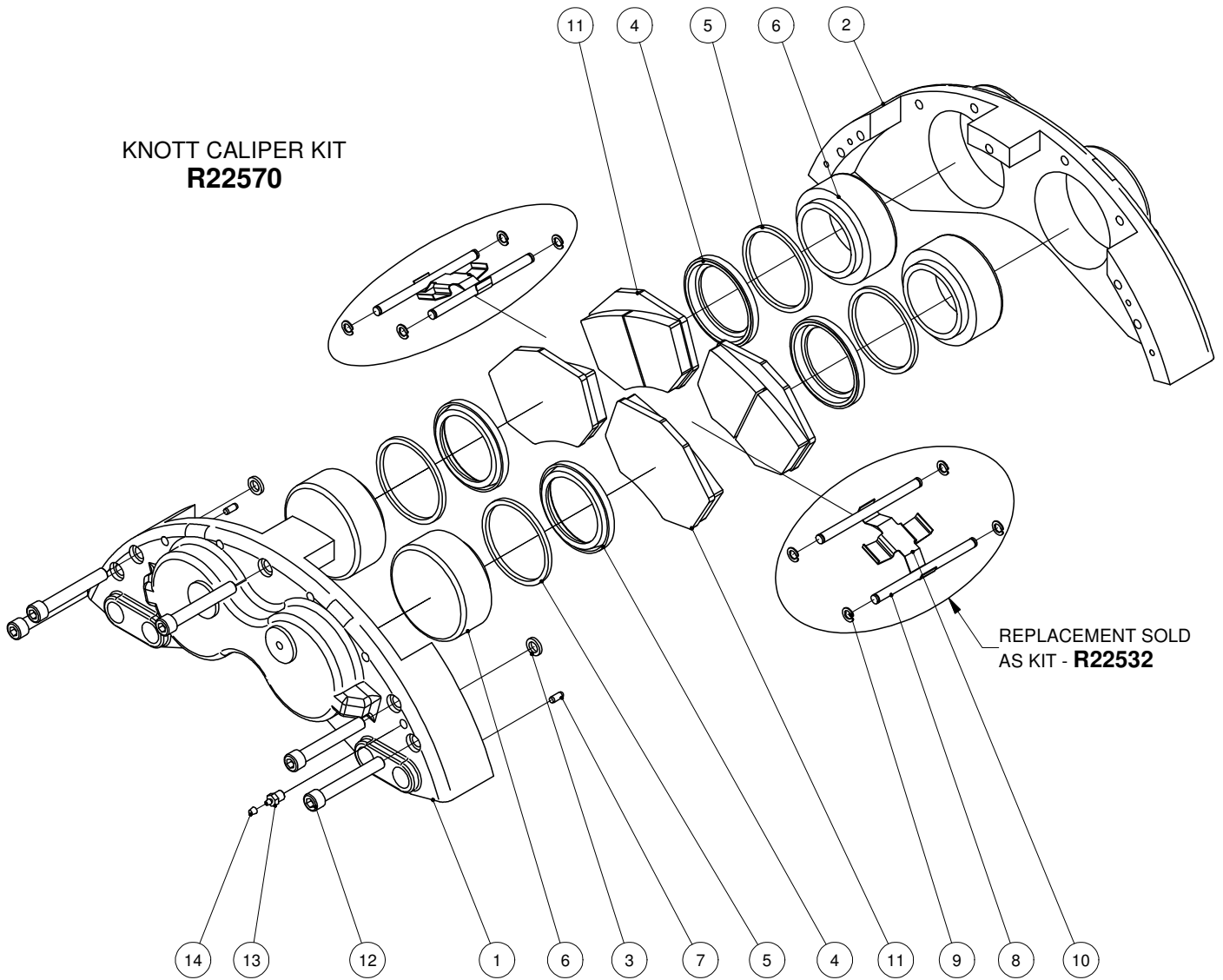
PARTS LIST			
ITEM	PART NUMBER	DESCRIPTION	QTY
1	R22048	BOLT ON BRAKE DISC	4
2	357-03-01-103	DOUBLE CALIPER MOUNTING PLATE	4
3	R21065	RH DISC BRAKE CALIPER ASSY TC500	4
4	R21066	LH DISC BRAKE CALIPER ASSY TC501	4
5	R21067	BRAKE PADS (PAIR)	8
6	R21070	GUIDE PINS	16
7	340-17-15-000	FRONT BRAKE HOSE ASSY	2
8	340-17-16-000	HYDRAULIC BRAKE HOSE ASSY-REAR	2
9	340-17-38-000	MAIN BRAKE LINE ASSY	1
10	312-09-00-000	MASTER CYLINDER KIT COMPLETE	1
11	357-13-00-000	SECONDARY BRAKE HOSE ASSY	4
12	R07871	1/2 - 20 x 3 UNF SOCKET HEAD CAP SCREW	40
13	312-06-00-047	MASTER CYLINDER MT BRACKET	1
14	R07619	3/8 x 1 UNC HEX BOLT	4
15	R07803	3/8" LOCK WASHER	4
16	R07783	3/8-16 UNC HEX NUT	4
17	340-17-39-000	HYD. HOSE MASTER CYL. TO TRACTOR	2
18	R21104	HYD. HOSE CLIPS	6
19	R08301	1/4 x 20 UNC x 1/2" WELD STUD	6
20	R07781	1/4 HEX NUT	18
21	R23120	3/8"M X 3/8"M X 3/8" SW F JIC TEE	3
22	R23210	ORB-4 x 3/8" JIC M. 45° ELBOW	8
23	R23219	3/8" M X 3/8"FSW X 3/8"M JIC TEE	4
24	R23094	ORB-10 x 3/8" JIC M ADAPTOR	3
25	R23182	MALE PIONEER TIP-ORB-10	3
26	R23181	FEMALE PIONEER COUPLER-ORB 8	1
27	R23090	ORB-6 x 1/2" JIC M ADAPTOR	1
28	R23091	ORB-8 X 3/8" JIC M ADAPTOR	2

# KNOTT BRAKE KIT



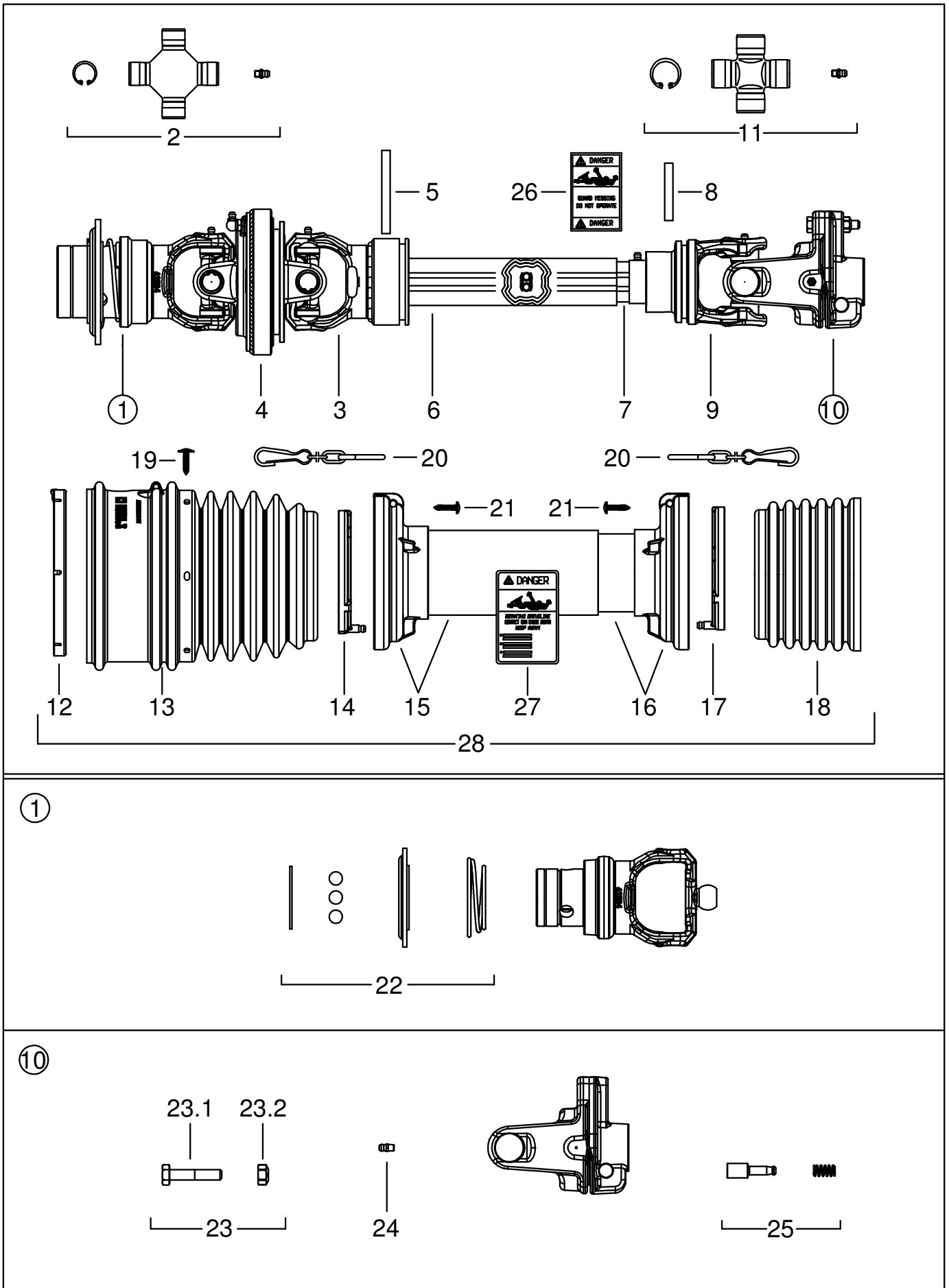
PARTS LIST			
ITEM	PART NUMBER	DESCRIPTION	QTY
1	357-65-01-000	SPACER & DISC KIT-25000	4
2	357-00-00-313	KNOTT BRAKE MT PLATE-25000LB HUB	4
3	R07808	1" LOCK WASHER	16
4	R07661	1"-8 UNC X 2" HEX BOLT	16
5	357-65-04-000	HYDRAULIC BRAKE HOSE ASSY-FRONT	2
6	R09778	3/4 DIAMETER STRAP	17
7	R08301	1/4 x 20 UNC x 1/2" WELD STUD	17
8	R07801	1/4 LOCK WASHER	17
9	R07781	1/4 HEX NUT	17
10	357-65-03-000	1/2" REAR BRAKE HOSE ASSY	2
11	357-65-05-000	MAIN BRAKE LINE ASSY-1/2" TO TRACTOR	1
12	R22570	KNOTT CALIPER ASSY W PAD 118-010	4
13	R23121	1/2" M X 1/2" M X 1/2" SW F LIC TEE	2
14	R23182	MALE PIONEER TIP-ORB-10	2
15	R23062	1/2" X 1/2" X 1/2" JIC M. TEE	1
16	R23181	FEMALE PIONEER COUPLER-ORB 8	1
17	R23095	ORB-10 x 1/2" JIC M ADAPTOR	2
18	R23211	ORB-6 X 1/2" JIC X 45 SWIVEL	4
19	357-06-00-000	25000 LB HUB COMPLETE	-

# KNOTT - 4X85 HYDRAULIC FIXED CALIPER



PARTS LIST				
ITEM	PART NUMBER	KNOTT PART #	DESCRIPTION	QTY
1	NOT SOLD SEPARATELY	850126-011/012	CALIPER HOUSING A, MACHINED	1
2	NOT SOLD SEPARATELY	850184-010	CALIPER HOUSING B, MACHINED	1
3	R22557	850191-010	SEAL,SQUARE,CALIPER	2
4	R22552	35385	DUST RING	4
5	R22551	35383.02	SEAL,SQUARE,PISTON	4
6	R22561	850153-030	PISTON	4
7	R22564	850150-010	DOWEL PIN	2
8	NOT SOLD SEPARATELY	800506-010	RETAINER ROD	4
9	NOT SOLD SEPARATELY	850173-010	FASTENER E-CLIP	8
10	NOT SOLD SEPARATELY	850143-020	SPRING PAD	2
11	R22523	850181-010	BRAKE PAD	4
12	R08415	850132-040	FASTENER, SOCKET HEAD CAP SCREW	5
13	R22562	45559	BLEEDER	1
14	R22563	44129.02	BLEEDER CAP	1

SPREADERS PTO - 2012



## SPREADERS PTO - 2012

**R21582** - 1 3/8" 6 TOOTH - 540 RPM

**R21583** - 1 3/8" 21 TOOTH - 1000 RPM

**R21584** - 1 3/4" 20 TOOTH - 1000 RPM

PARTS LIST				
ITEM	MFG #	PART NUMBER	DESCRIPTION	QTY
1	5730E0384	R22707	#4 1-3/8" CV YOKE - 6 TOOTH SLIDING YOKE COLLAR - 540rpm	1
	5730E3784	R22706	#4 1-3/8" CV YOKE - 21 TOOTH SLIDING YOKE COLLAR - 1000rpm	1
	5730E3884	R22708	#4 1-3/4" CV YOKE - 20 TOOTH SLIDING YOKE COLLAR - 1000rpm	1
2	4120E0051	R22709	#4 CROSS KIT - 22x86mm	2
3	2150E6871	R23381	#4 OUTER TUBE YOKE	1
4	5110E0052	R22711	#4 CENTRAL BODY-CV	1
5	341078000	R23382	FLEXIBLE ROLL PIN - 8x80mm	1
6	2253L1050	R23383	#4 OUTER DRIVE TUBE - L=1050mm	1
7	528S4R121WN	R23384	#4 INNER DRIVE TUBE - L=1075mm	1
8	341048000	R21476	FLEXIBLE ROLL PIN - 8x55mm	1
9	204S46853	R23385	#4 TUBE YOKE 4 LOBE - INNER	1
10	6060E0302	R22712	#4 SHEAR CLUTCH 1700Nm 1-3/8" 6T - PUSH PIN	1
11	4120E0012	R23386	#4 CROSS KIT - 27x74.6mm GREASE ZERK CAP	1
12	2550E0005	R23387	SHIELD OUTER BELL SUPPORT	1
13	2190E0121	R23388	CONE SHIELD BELL - OUTER	1
14	2550C0001	R23389	SHIELD SUPPORT - OUTER TUBE	1
15	5TWN3S4121U	R23390	#4 SHIELD TUBE & CONE - OUTER	1
16	5MWN3S4121U	R23391	#4 SHIELD TUBE & CONE - INNER	1
17	2550C0002	R23392	SHIELD SUPPORT - INNER TUBE	1
18	2190E0201	R23393	CONE SHIELD BELL - INNER	1
19	310001428	R22719	SCREW FLANGE HEAD - SELF TAP 4.8x22mm	6
20	252000050	R21738	SHIELD CHAIN w/ S-HOOK L=500mm	2
21	310001431	R23394	SCREW - SELF TAP 4.8x22mm	6
22	435000323	R22722	BALL COLLAR KIT 1-3/8" 6T & 1-3/8" 21T	1
	435000420	R22723	BALL COLLAR KIT 1-3/4" 20T	1
23	432000047	357-36-00-000	SHEAR BOLT & NUT - 5/PACK	1
23.1	-	R08251	M8x1.25x45 BOLT GR8.8 (NOT FOR INDIVIDUAL SALE)	1
23.2	-	R08252	M8x1.25 NYLOCK NUT (NOT FOR INDIVIDUAL SALE)	1
24	348017000	R21687	GREASE FITTING M6x1 STRAIGHT	1
25	403000001	R22724	COMPLETE PUSH PIN 1-3/8" 6T	1
26	399143000	R21523	DANGER SHIELD MISSING LABEL	1
27	399141000	R21521	DANGER ROTATING DRIVELINE LABEL	1
28	5CS4121U2WSG	R23395	COMPLETE SHIELD KIT	

# **HUSKY FARM EQUIPMENT LIMITED**

ALMA, ON

NOB 1A0

PHONE: (519) 846-5329

FAX: (519) 846-9378

## **FIVE YEAR AXLE WARRANTY**

Husky Farm Equipment Limited will guarantee for five (5) years from date of invoice, all Manure Spreader undercarriages and axle assemblies, if used on a farm for farm purposes.

Husky will replace free of charge:

1. Any part of the axle which should break or collapse through normal use.
2. Any spindles or hubs which should break through normal use.
3. Any wheel and rim assemblies which should fail through normal use.

Exempt from extended warranty are:

1. Any part of the axle which should break or collapse through overload. Overload includes: Any attachments (ie. injectors) and any product being transported in Spreader weighing more than 10 lb/gallon. (ie. manure mixed with sand).
2. Bearings and tires which are covered under normal warranty and do require maintenance to avoid failure.
3. Wheel or rim damage resulting from owner failing to keep wheel bolts tight.
4. Spindles damaged through bearing failure.
5. Any axle that is custom built.
6. Any axle used in commercial custom hauling applications.

To qualify for extended warranty, damaged parts must be returned to Husky Farm Equipment Limited, prepaid shipping, along with serial number and copy of the original invoice.

All parts supplied by Husky on warranty, will be shipped freight collect. Extended warranty covers damaged parts only and does not cause liability on Husky for any damage resulting from such failure.

## **TEN YEAR WARRANTY AGAINST RUSTOUT**

Husky Farm Equipment provides a ten (10) year warranty from date of invoice, against premature perforation (rust out) of any liquid manure spreader manufactured. Providing the manure spreader is used for manure or sludge and not for chemical products.

Extended warranty is pro rated and will be paid only through the crediting off of the then current list price of a replacement manure spreader of the portion of warranty not used up in time.

Warranty will be effective toward replacing spreader only and no cash payment will be made. It will be understood that the original equipment to be replaced will then become property of Husky Farm Equipment Limited.

This extended warranty will be effective through Husky Farm Equipment factory or factory outlet only. A copy of the original invoice is to be supplied along with the serial number. This warranty will not be effective for commercial custom haulers or to owners other than the original.

Transportation to and from the factory is to be paid for by the owner of the equipment and not by Husky Farm Equipment Limited.