

Date Purchased _____ Machine Serial No. _____

Size of Spreader _____ Options _____

PLEASE NOTE:

The key number system in this parts book is arranged as follows:

- 0 -- Key number with one circle denotes main assemblies
- Key Numbers not circled are individual parts.

Please order parts by number

18000L SLIM LINE

HUSKY LIQUID MANURE SPREADER

OPERATING INSTRUCTIONS:

1. Heed all warnings.
2. Minimum HP requirements to safely operate on level terrain, on hilly terrain HP should be increased.

14000L	130 HP
15000L	140 HP
18000L	160 HP
23000L	200 HP
28000L	250 HP
3. If machine is equipped with hydraulic brakes that are operated from the tractor hydraulics, they will not work should the tractor motor stop.

Inspect brakes before each use. Brakes must be bled before initial use unless installed at factory.

When releasing brakes the tractor hydraulic lever must be put in the opposing position to release pressure. Do not put in float position they will not release.
4. Tractor PTO spline must be approximately 14" (355 mm) from end of compressed PTO for proper adjustment.
5. Hitch tanker to tractor with minimum of 1" (25mm) hardened hitch pin with a safety lock. Use 10,000 Lbs safety chain from spreader to tractor.
6. Do not use tongue jack stand to support loaded spreader. Put jack in storage position before using.
7. When hooking PTO to tractor make sure motor is stopped. Make sure QD (Quick Disconnect) safety locking pin is in locked position before using.
8. Clean off hose ends before plugging into tractor hydraulics. If spreader is equipped with hydraulic drive on spreading attachment, make sure tractor has sufficient oil flow and pressure to maintain satisfactory spread pattern, if not use another tractor.

OPERATING INSTRUCTIONS continued:

9. After using spreader in freezing conditions make sure impeller housing is drained.
10. Wash tank inside and out each time work is finished. This will increase life of tank by many years. See item 6 of Safety instructions.
11. Do not drive on public roads after dusk unless equipped with lights required by Department of Transportation in your area.
12. Remove wheels annually and grease wheel bearings.
13. Because manure smells, many farmers have made unfriendly neighbours. If in a residential area a manure injector is a recommended option to bury the smell.
14. Much of the fertilizer value of manure is lost when exposed to air. Getting the manure covered quickly is a very important part of spreading manure.
15. If rustproof coating on interior shows signs of deterioration, have interior repainted. This can be done with a roller or brush. This helps to increase the life of your spreader. It is a valuable maintenance procedure.

SAFETY INSTRUCTIONS:

Do not operate this machine until you fully understand the safe operating practices.

1. Make sure all moving parts are shielded to prevent coming in contact with loose clothing.
2. Keep children clear, do not let children or anyone ride on the spreader at anytime.
3. Do not support loaded spreader on tongue jack.
4. Keep tire pressure to recommended pressure at all times. Recommended tire pressure being:

		Lbs	KPA
18.4L x 26	Turf Tires	26	180
28L x 26	Turf Tires	24	166
30.5L x 32	Turf Tires	24	166
35.5L x 32	Turf Tires	32	220
23.5L x 25	Loader Dozer Tires	55	379

$$1 \text{ Lb} = 6.8947 \text{ KPA}$$

5. Keep wheel bolts torqued to recommended torque at all times.

Wheel Bolt Size	Torque <u>Dry</u>	Ft. Lbs. <u>Oiled</u>	Torque <u>Dry</u>	Meter/Kg <u>Oiled</u>
9/16 - 18 NF	190	145	26.28	20.06
5/8 - 18 NF	270	205	37.34	28.35
3/4 - 16 NF	470	360	65.01	49.79

(Check Daily)

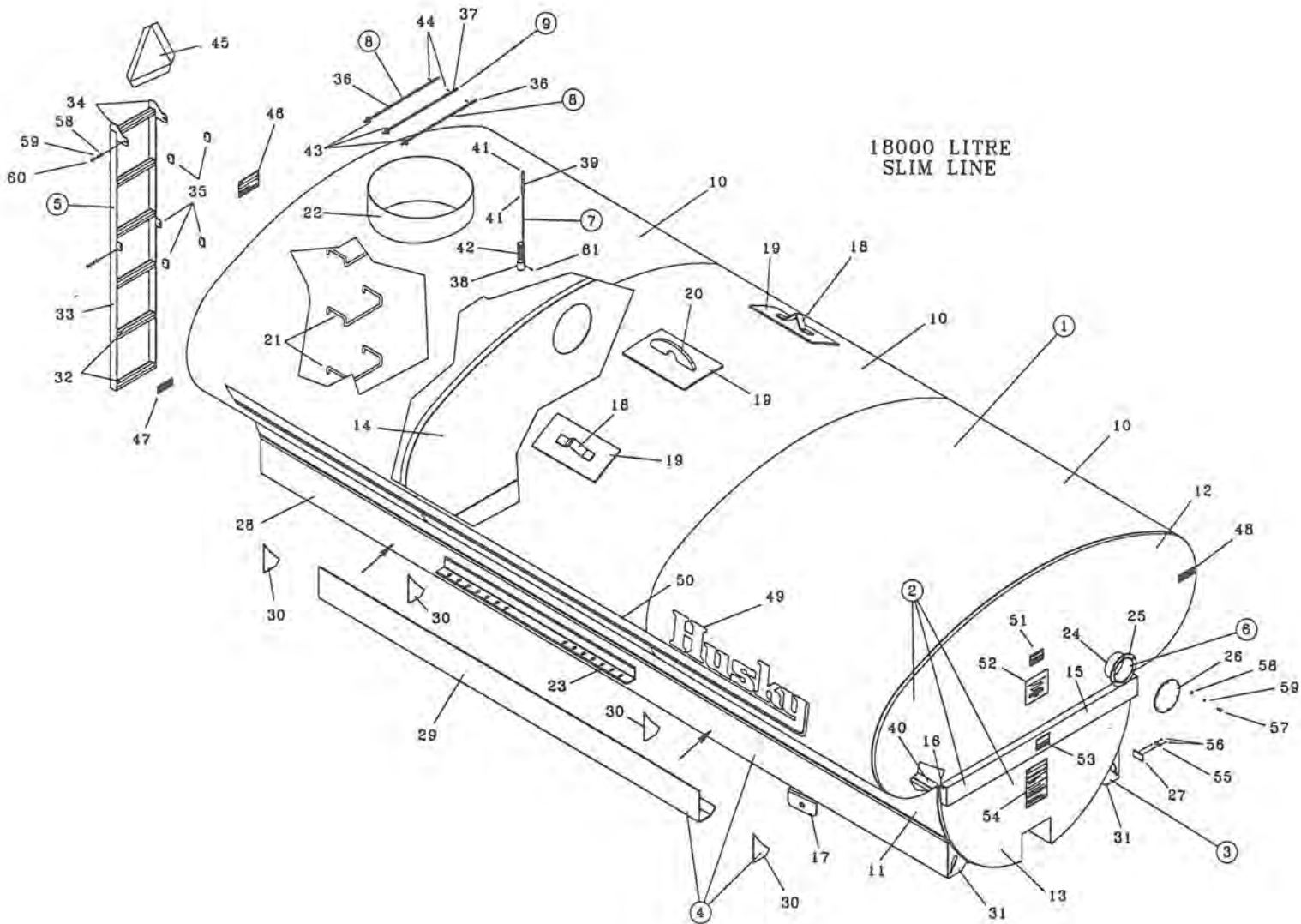
6. Never enter a tanker without special breathing equipment to supply oxygen. Manure gases can kill instantly. One breath of Hydrogen Sulphide can kill.
7. When looking up or repairing hydraulic hoses always wear safety glasses and relieve pressure to avoid getting oil in eyes.
8. Caution - disc brakes will not release unless valve lever is held momentarily in opposite position. This will relieve pressure in brake line. Do not put in float position, they will not release.

18000L TANK

<u>Keys</u>	<u>Parts Number</u>	<u>Description</u>	<u>Qty</u>
1	394-03-00-000	18000L Tank & Sill Assy Compl.	1
2	394-03-01-000	18000L Tank Assembly	1
3	394-03-02-000	LH Sill Assembly	1
4	394-03-03-000	RH Sill Assembly	1
5	364-95-00-000	Ladder Assembly	1
6	330-20-03-000	Access Tube Assembly	1
7	340-62-00-000	Husky Flag Kit	1
8	364-47-00-000	Safety Bar Assembly	2
9	364-49-00-000	Long Safety Bar Assembly	1
10	394-03-01-019	Top Shell	3
11	394-03-01-020	Bottom Shell	2
12	394-03-01-021	Top End	2
13	394-03-01-022	Bottom End	2
14	394-03-01-023	Baffle	2
15	394-03-01-024	Tank End Stiffener	2
16	330-66-00-258	Stiffener Cap	4
17	315-31-00-115	Tongue "U" Piece	2
18	330-01-00-012	Lift Hook	2
19	340-01-00-546	Reinforcing Plate	3
20	340-01-00-555	Heavy Duty Lift Hook	1
21	364-02-00-008	Ladder	4
22	364-02-00-006	Manhole	1
23	364-02-00-280	Axle Adjustment Angle	2
24	330-20-03-556	Access Tube	1
25	330-20-03-560	Access Tube Flange	1
26	330-20-00-559	Access Tube Cover Plate	1
27	340-01-00-499	Serial Number Plate	1
28	394-03-02-027	Sill	2
29	394-03-02-028	Inner Sill	2
30	394-03-02-029	Sill Stiffener	8
31	394-03-02-030	Sill Cap	4
32	364-95-00-324	Ladder Step	6
33	364-95-00-325	Ladder Side	2
34	364-95-00-326	Ladder Lug	2
35	364-95-00-327	Ladder & Tank Lug	6
36	364-24-00-155	Manhole Safety Bar	2
37	364-49-00-164	Long Manhole Safety Bar	1
38	340-00-00-536	Indicator Spring Holder	1
39	340-62-00-553	Indicator	1
40	394-03-01-025	Inner Tank Angle	2
41	R08163	Clip	2
42	R08037	Indicator Spring	1
43	R07825	12" Flat Washer	3
44	R08207	5/32 x 1 1/2 SS Cotter Pin	3
45	R09501	"Slow Moving Vehicle" Sign	1
46	R09784	"Danger, Toxic Gas" Decal	1
47	R10096	Red Reflector	2
48	R10097	Amber Reflector	1
49	R09510	"Husky" Decal	2
50	R09511	Accent Stripe	2
51	R09509	"Made In Canada" Decal	1
52	R09730	"Tire Pressure" Decal	1

18000L TANK CONTINUED

<u>Keys</u>	<u>Parts Number</u>	<u>Description</u>	<u>Qty</u>
53	R09512	"Capacity" Decal	1
54	R09783	"Caution" Decal	1
55	R09071	Serial Number	1
56	R08152	6 x 1/4 Pan Head Screw	2
57	R07675	3/8 x 1 1/4 Hex Bolt	6
58	R07783	3/8 Hex Nut	10
59	R07803	3/8 Lock Washer	10
60	R07620	3/8 x 1 1/2 Hex Bolt	4
61	R07926	5/16 - 18 x 1/4 SS Set Screw	1

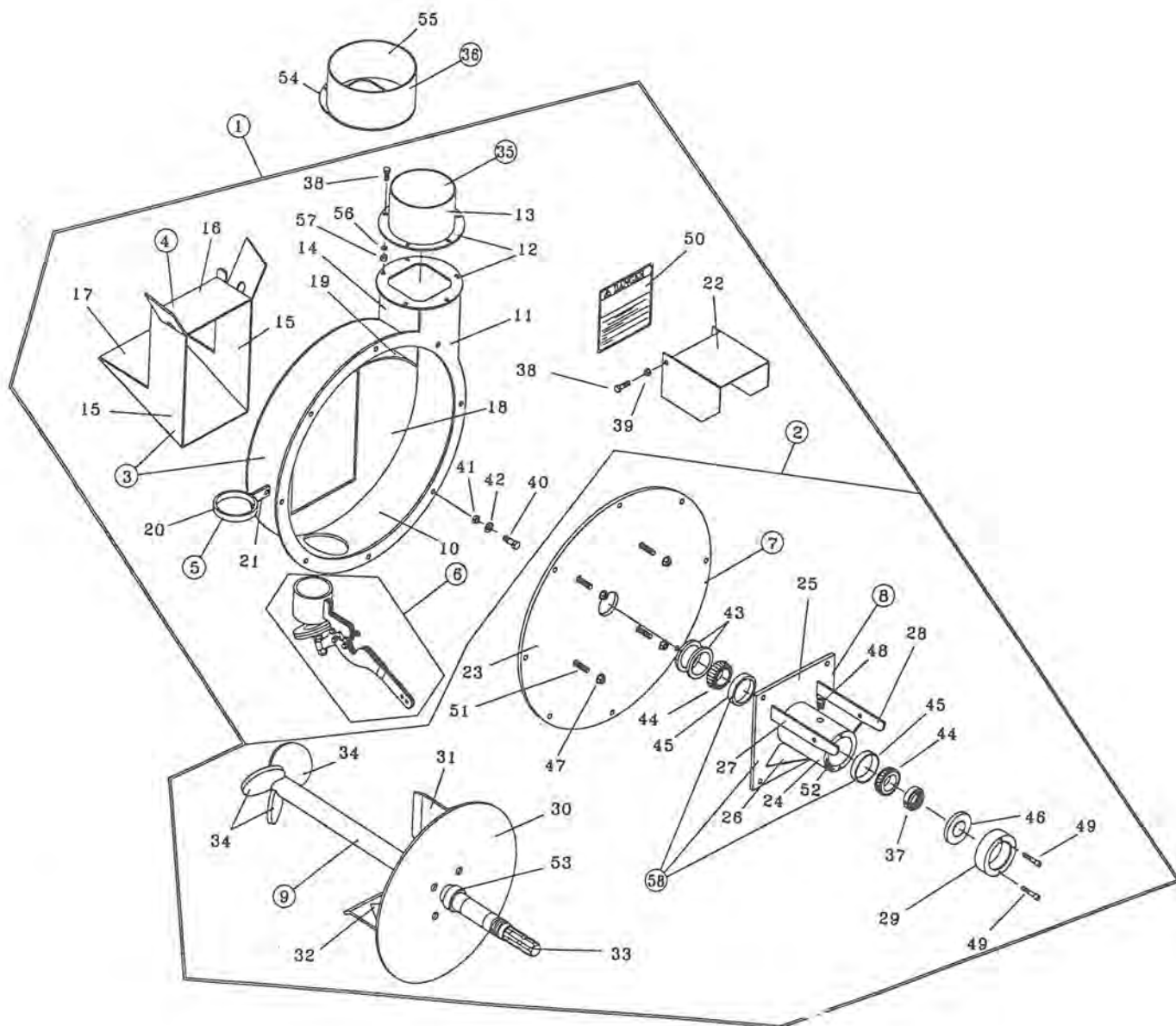


FAN & HOUSING KIT

<u>Keys</u>	<u>Parts Number</u>	<u>Description</u>	<u>Qty</u>
1	364-23-00-000	Model E Fan & Housing Kit 540 RPM	*
	364-56-00-000	Model E Fan & Housing Kit 1000 RPM	1
2	364-65-00-000	540 Fan, Cover Plate. & Brg Kit	*
	364-66-00-000	1000 Fan, Cover Plate. & Brg Kit	1
3	364-01-03-000	Fan Housing Assembly	1
4	364-01-16-000	Housing Back Plate Assembly	1
5	364-41-00-000	PTO Holder Assembly	1
6	364-62-00-000	Drain Plug Kit	1
7	364-67-00-000	Cover Plate Assembly	1
8	364-61-00-000	Bearing Holder Assembly	1
9	364-72-00-000	Fan, Shaft & Agitator Assy - 540	*
	364-73-00-000	Fan, Shaft & Agitator Assy -1000	1
10	364-01-03-018	Housing Band	1
11	364-01-03-019	Housing Flange	1
12	364-01-03-376	Discharge Ring - 6"	2
13	364-01-03-063	Discharge Tube	1
14	364-01-03-081	Fan Housing Vertical Pc	1
15	364-01-16-360	R.H. Outlet Side Pc	1
	364-01-16-361	L.H. Outlet Side Pc	1
16	364-01-03-104	Outlet Top Pc	1
17	364-01-03-105	Outlet Bottom Pc	1
18	364-01-03-106	Housing Back Plate	1
19	364-01-03-156	Housing Band Aid	1
20	364-41-00-132	Pto Holder	1
21	364-41-00-133	Pto Holder Brkt	1
22	364-00-00-029	Flip Guard	1
23	364-67-00-211	Cover Plate	1
24	364-61-00-191	Brg Tube	1
25	364-61-00-192	Seal Tube Back Plate	1
26	364-61-00-193	Seal Tube Gusset	2
27	364-61-00-197	RH Flip Guard Brkt	1
28	364-61-00-198	LH Flip Guard Brkt	1
29	364-00-00-332	Seal Tube Cap	1
30	364-63-00-209	Impeller Back Plate	1
31	364-63-00-208	540 RPM Fan Blade	*
	364-64-00-210	1000 RPM Fan Blade	4
32	364-03-00-024	Gusset	4
33	364-72-00-226	Fan Shaft	1
34	364-72-00-227	Agitator Blades	3
35	364-31-00-000	Hose Tube Assy - 6"	1
36	358-92-01-00	Hose Tube Assy - 8"	1
37	364-00-00-212	Stake Nut	1
38	R07619	3/8 x 1 Hex Bolt	7
39	R07886	3/8 Lock Nut	2
40	R07671	7/16 x 1 1/4 Hex Bolt	8
41	R07784	7/16 Hex Nut	8
42	R07804	7/16 Lock Washer	8
43	R21197	Seal - 2 1/2 X 3 X 1/4	2
44	R20115	Cone	2
45	R20113	Cup	2
46	R21196	Seal - 1.5 X 2.835 X .313	1
47	R07879	7/16 Flange Nut	4

FAN & HOUSING KIT CONTINUED

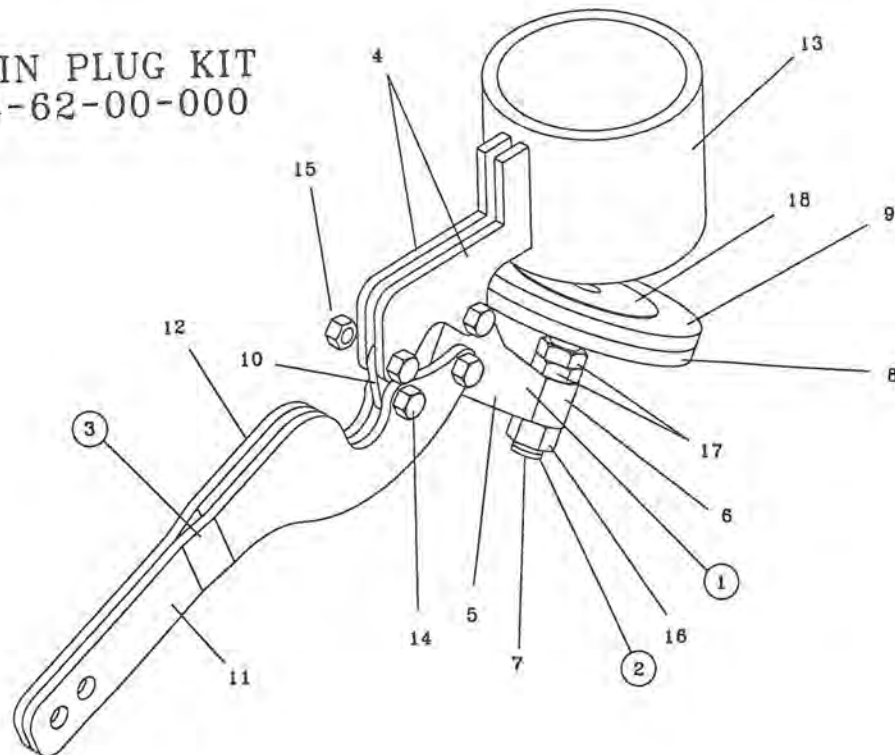
<u>Keys</u>	<u>Parts Number</u>	<u>Description</u>	<u>Qty</u>
48	R08188	1/4 " NPT Grease Fitting	1
49	R08175	5/16-18 UNC x 1 3/4 Cap Screw	2
50	R09785	"Danger" Decal	1
51	R07774	7/16 x 1 1/4 Carriage Bolt Gr. 5 Black	4
52	R04100	Silicone Sealant	1
53	R20238	Hardened Sleeve	1
54	358-92-01-301	Discharge Ring - 8"	1
55	358-92-01-302	Discharge Tube	1
56	R07803	3/8 Lock Washer	5
57	R07783	3/8 Hex Nut	5
58	364-61-01-000	Bearing Holder Assembly w/Cups	1



DRAIN PLUG KIT

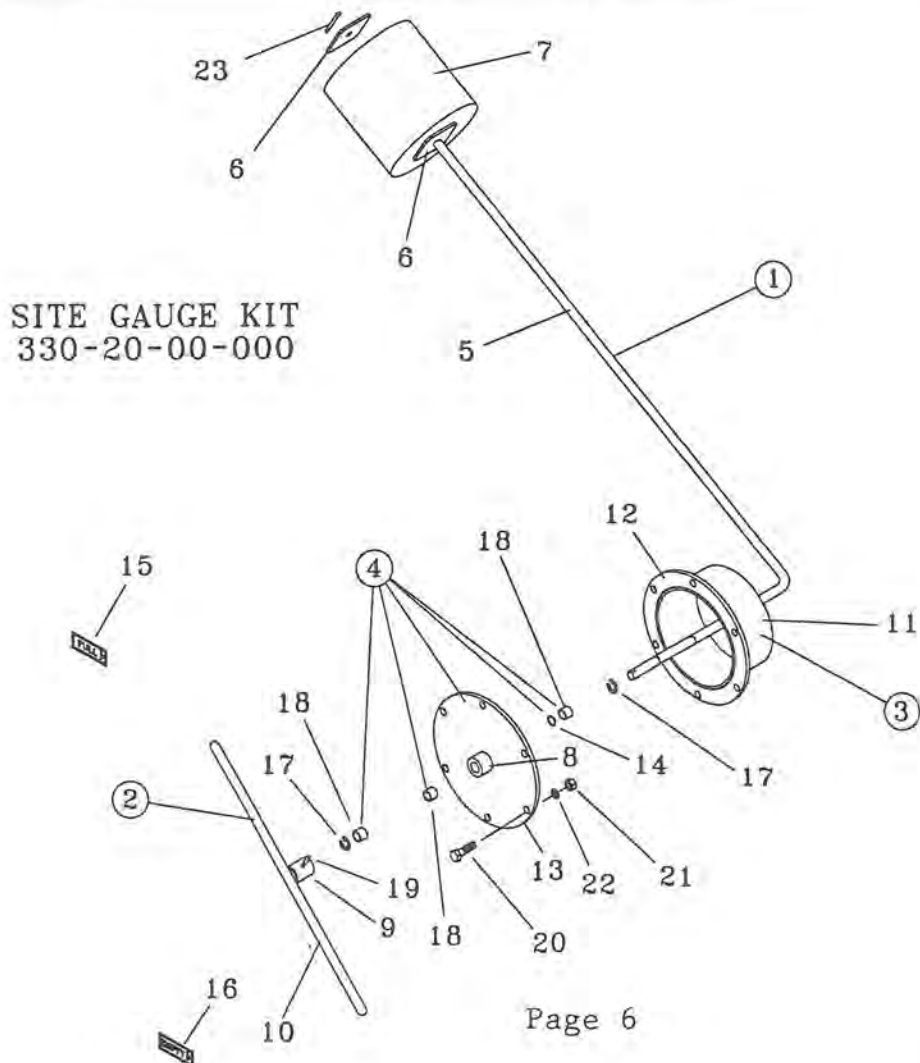
<u>Keys</u>	<u>Parts Number</u>	<u>Description</u>	<u>Qty</u>
1	364-62-01-000	Drain Plug Sleeve Assy	1
2	364-62-02-000	Plug Assy	1
3	364-62-03-000	Handle Assy	1
4	364-62-00-199	Housing Brkt	2
5	364-62-01-200	Sleeve Linkage	1
6	364-62-01-201	Sleeve	1
7	364-62-02-202	Adjustment Rod	1
8	364-62-02-203	Plug Plate	1
9	364-62-02-204	Plug Rubber	1
10	364-62-00-205	Short Linkage	1
11	364-62-03-206	LH Handle	1
12	364-62-03-207	RH Handle	1
13	364-01-03-110	Drain Pipe	1
14	R08176	1/4-20 UNC x 7/8 Short Thrd Bolt	4
15	R08048	1/4-20 Lock Nut	4
16	R07885	1/2-13 UNC Hex Nyloc Nut	1
17	R08046	1/2-13 UNC Jam Nut	2

DRAIN PLUG KIT 364-62-00-000



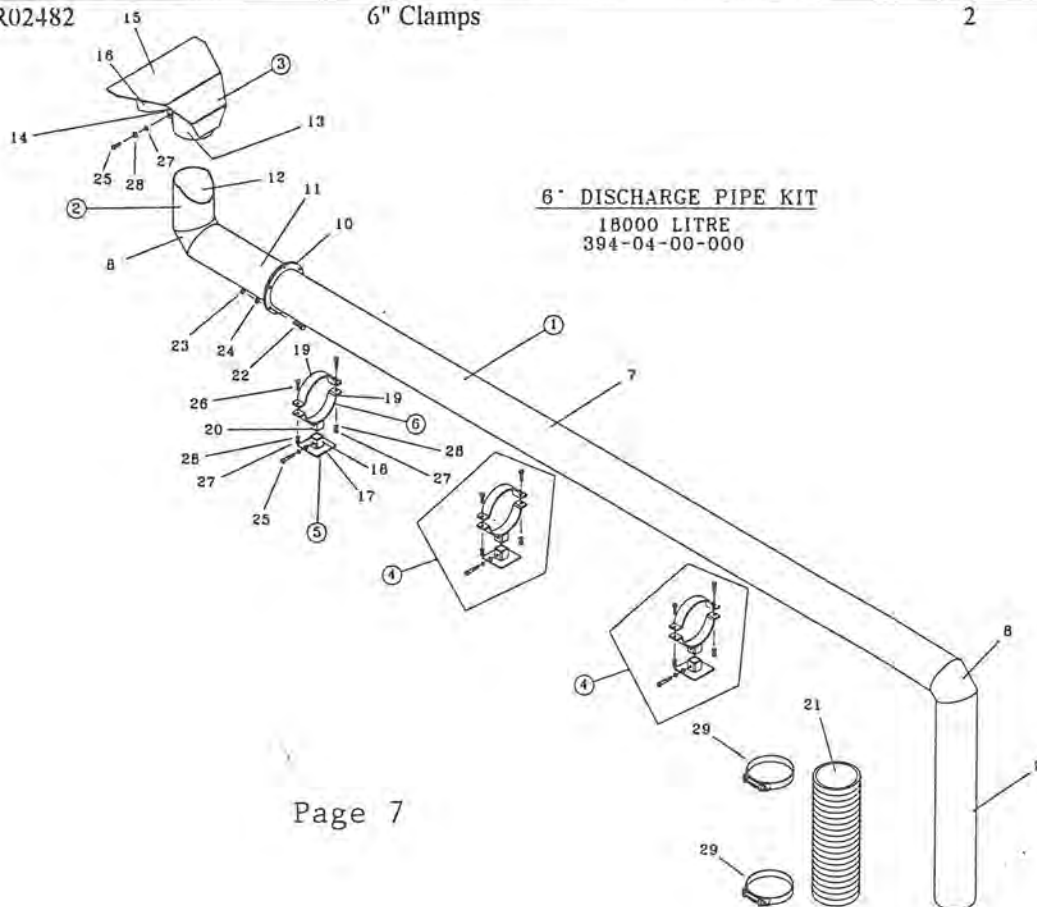
SIGHT GAUGE KIT

<u>Keys</u>	<u>Parts Number</u>	<u>Description</u>	<u>Qty</u>
1	330-20-01-000	Float Arm Assy	1
2	330-20-02-000	Indicator Arm Assy	1
3	330-20-03-000	Access Tube Assy.	1
4	330-20-04-000	Cover Plate Assy	1
5	330-20-01-551	Float Arm	1
6	330-20-01-552	Float Straps	2
7	330-93-00-375	Float	1
8	330-20-04-562	Bronze Bearing Holder	1
9	330-20-02-553	Indicator Arm Hub	1
10	330-20-02-554	Indicator Arm	1
11	330-20-03-556	Access Tube	1
12	330-20-03-560	Access Tube Flange	1
13	330-20-00-557	Cover Plate	1
14	R20865	1/2 x 5/8 x 1/16" O Ring	1
15	R09529	"Full" Decal	1
16	R09530	"Empty" Decal	1
17	R07974	External Retaining Ring	2
18	R21173	1/2 x 5/8 x 1/2" Bronze Bushing	3
19	R08241	3/16 x 1 Stainless Steel Roll Pin	1
20	R07675	3/8 x 1 1/4" Hex Bolt	6
21	R07783	3/8" Hex Nut	6
22	R07803	3/8" Lock Washer	6
23	R08021	1/8 x 1" Stainless Steel Cotter Pin	1



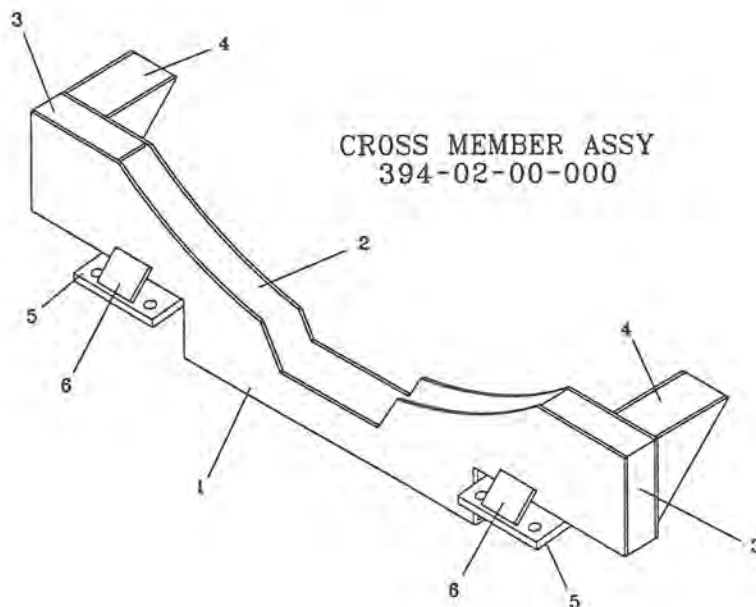
DISCHARGE PIPE ASSEMBLY

<u>Keys</u>	<u>Parts Number</u>	<u>Description</u>	<u>Qty</u>
1	394-04-01-000	Discharge Pipe Assy - 18000L	1
2	364-25-00-000	Discharge Pipe End Section	1
3	364-68-00-000	Splash Plate Assy.	1
4	357-16-00-000	6" Discharge Pipe & Holder	3
5	357-16-01-000	Base Holder Assy.	3
6	357-16-02-000	Pipe Holder Assy	3
7	394-04-01-031	18000L Discharge Pipe - 6"	1
8	364-19-00-082	Discharge Pipe Corner Piece	2
9	394-04-01-032	Vertical Discharge Pipe	1
10	364-19-00-087	Flange	2
11	364-25-00-088	Discharge Pipe Flange Piece	1
12	364-25-00-067	Discharge Pipe End Piece	1
13	364-68-00-215	Clamping Tube	1
14	364-21-00-071	Clamping Tube Bracket	2
15	364-21-00-069	Splash Plate	1
16	364-21-00-224	Splash Plate Wing	2
17	357-16-01-130	Base Plate	3
18	357-16-01-131	Stub	3
19	357-16-00-133	Pipe Holder - 6"	6
20	357-16-02-137	Upper Stub	3
21	364-00-00-066	Flex Hose	1
22	R07671	7/16 x 1 1/4 Hex Bolt	6
23	R07784	7/16 Hex Nut	6
24	R07804	7/16 Lock Washer	6
25	R07622	3/8 x 2 1/2 Hex Bolt	4
26	R07620	3/8 x 1 1/2 Hex Bolt	6
27	R07783	3/8 Hex Nuts	10
28	R07803	3/8" Lock Washer	10
29	R02482	6" Clamps	2



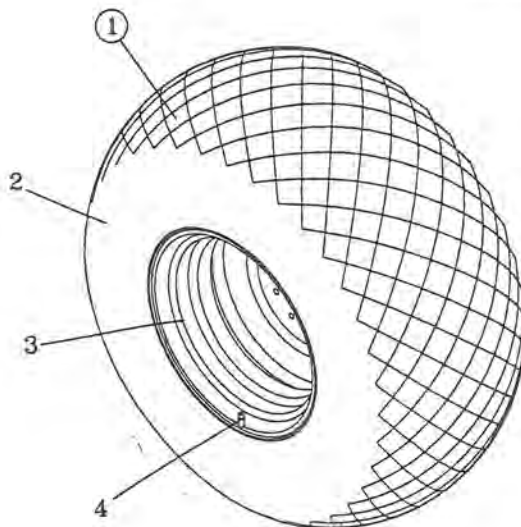
CROSS MEMEBER

<u>Keys</u>	<u>Parts Number</u>	<u>Description</u>	<u>Qty</u>
1	394-02-00-035	Front Corss Member	1
2	394-02-00-036	Back Cross Member	1
3	394-02-00-037	Cross Member Cap	2
4	340-07-00-330	Gusset	2
5	358-45-00-148	Tongue Strap	2
6	364-02-17-123	Tongue Strap Gusset	2



TIRE AND WHEEL

<u>Keys</u>	<u>Parts Number</u>	<u>Description</u>	<u>Qty</u>
1	330-04-00-000	28L x 26 Tire and Wheel Assembly	4
2	R20015	28L x 26 Tire	4
3	R20040	25 x 26 x 10 Bolt Wheel - 11.25BC	4
4	R20161	Valve Stem	4



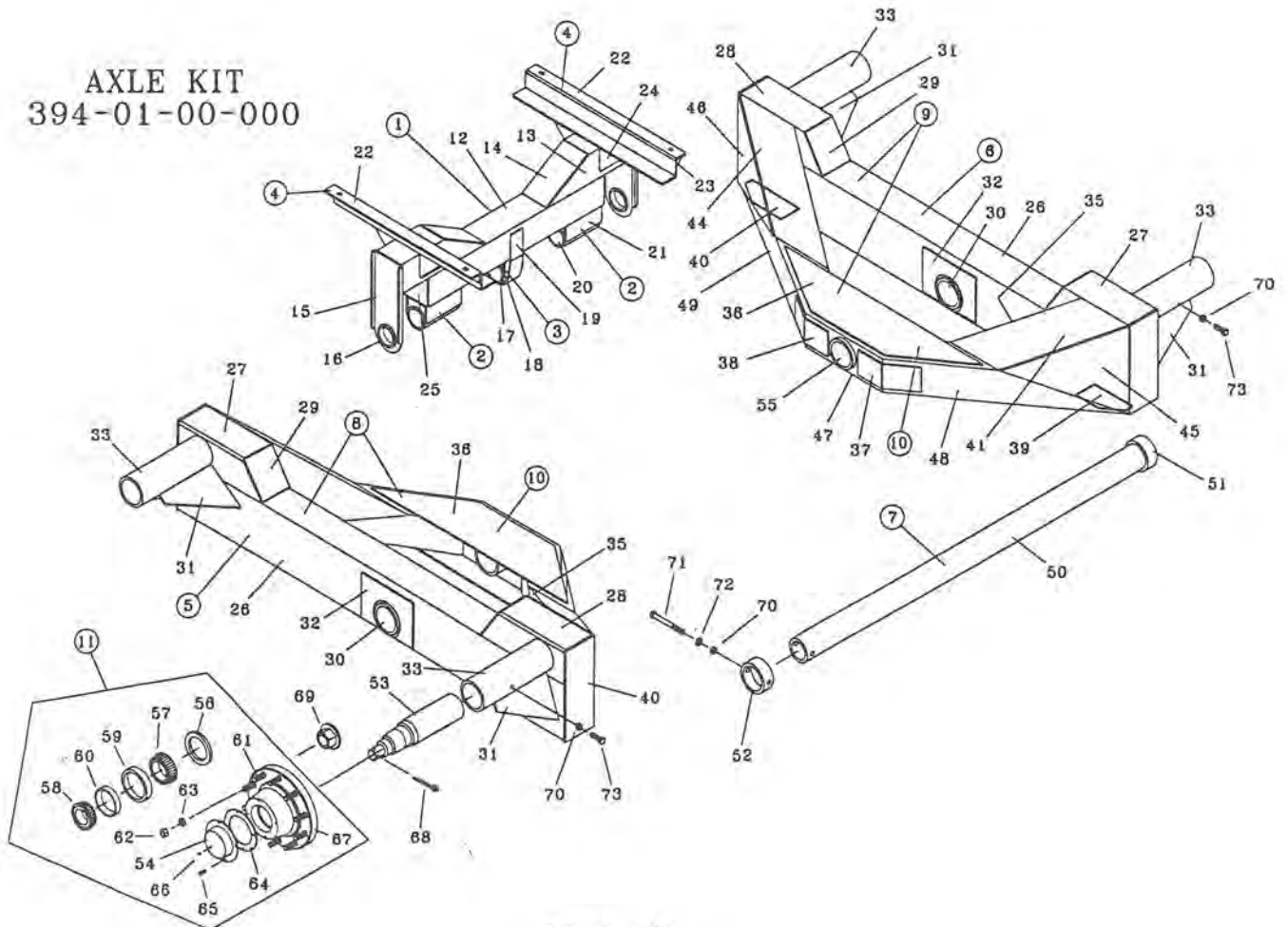
AXLE

<u>Keys</u>	<u>Parts Number</u>	<u>Description</u>	<u>Qty</u>
1	394-01-01-000	Base Frame Assembly	1
2	358-03-01-000	Outer Sleeve Assembly	2
3	394-01-02-000	Centre Sleeve Assembly	1
4	330-69-01-000	Sill "Z" Plate Assembly	2
5	394-01-03-000	LH Walking Beam Assembly	1
6	394-01-04-000	RH Walking Beam Assembly	1
7	394-01-07-000	Main Axle Tube Assembly	1
8	394-01-08-000	LH Tandem Side Assembly	1
9	394-01-09-000	RH Tandem Side Assembly	1
10	394-01-10-000	Axle "A" Frame Assembly	2
11	358-11-00-000	16000lb Ductile Hub - 10 Bolt	4
12	394-01-01-001	Cross Axle Support Tube	1
13	394-01-01-002	Cross Axle Extension Tube	2
14	394-01-01-003	Extension Tube Cap	2
15	394-01-01-004	Hanger Bracket	2
16	394-01-01-005	Hanger Tube	2
17	394-01-02-006	Centre Sleeve Tube	1
18	394-01-02-007	Centre Sleeve Holder	1
19	358-03-00-375	Reinforcing "U" Piece	1
20	340-07-08-322	Stationary Sleeve	2
21	358-03-01-356	Outer Sleeve Holder	2
22	358-85-00-253	Sill "Z" Plate	2
23	330-69-00-550	Gusset	4
24	394-01-01-034	Double Gusset	4
25	340-07-00-329	End Cap	2
26	394-01-03-008	Walking Beam	2
27	394-01-03-009	LH Stub Beam	2
28	394-01-03-010	RH Stub Beam	2
29	394-01-03-011	Stub Beam End Cap	4
30	394-01-03-012	Walker Sleeve	2
31	394-01-03-013	Spindle Sleeve Gusset	8
32	394-01-03-051	Rocker Sleeve Reinforcing Plate	4
33	358-83-01-230	Spindle Sleeve	4
34	394-01-08-040	LH Rear Outer Gusset	1
35	394-01-08-041	Rear Inner Gusset	2
36	394-01-10-042	Gusset	4
37	394-01-10-043	Tandem Arm Gusset Rear	2
38	394-01-10-044	Tandem Arm Gusset Front	2
39	394-01-08-045	Rear Tie Plate	2
40	394-01-08-046	Front Tie Plate	2
41	394-01-08-047	Rear Cap	2
42	394-01-08-048	LH Front Outer Gusset	1
43	394-01-08-049	Front Inner Gusset	2
44	394-01-08-050	Front Cap	2
45	394-01-09-052	RH Rear Outer Gusset	1
46	394-01-09-053	RH Front Outer Gusset	1
47	394-01-10-018	Connector Tube	2
48	394-01-10-038	Rear Tandem Arm	2
49	394-01-10-039	Front Tandem Arm	2
50	394-01-07-026	Main Axle Tube	1
51	340-63-00-538	Stop Ring	1
52	340-00-00-346	Retaining Ring	1

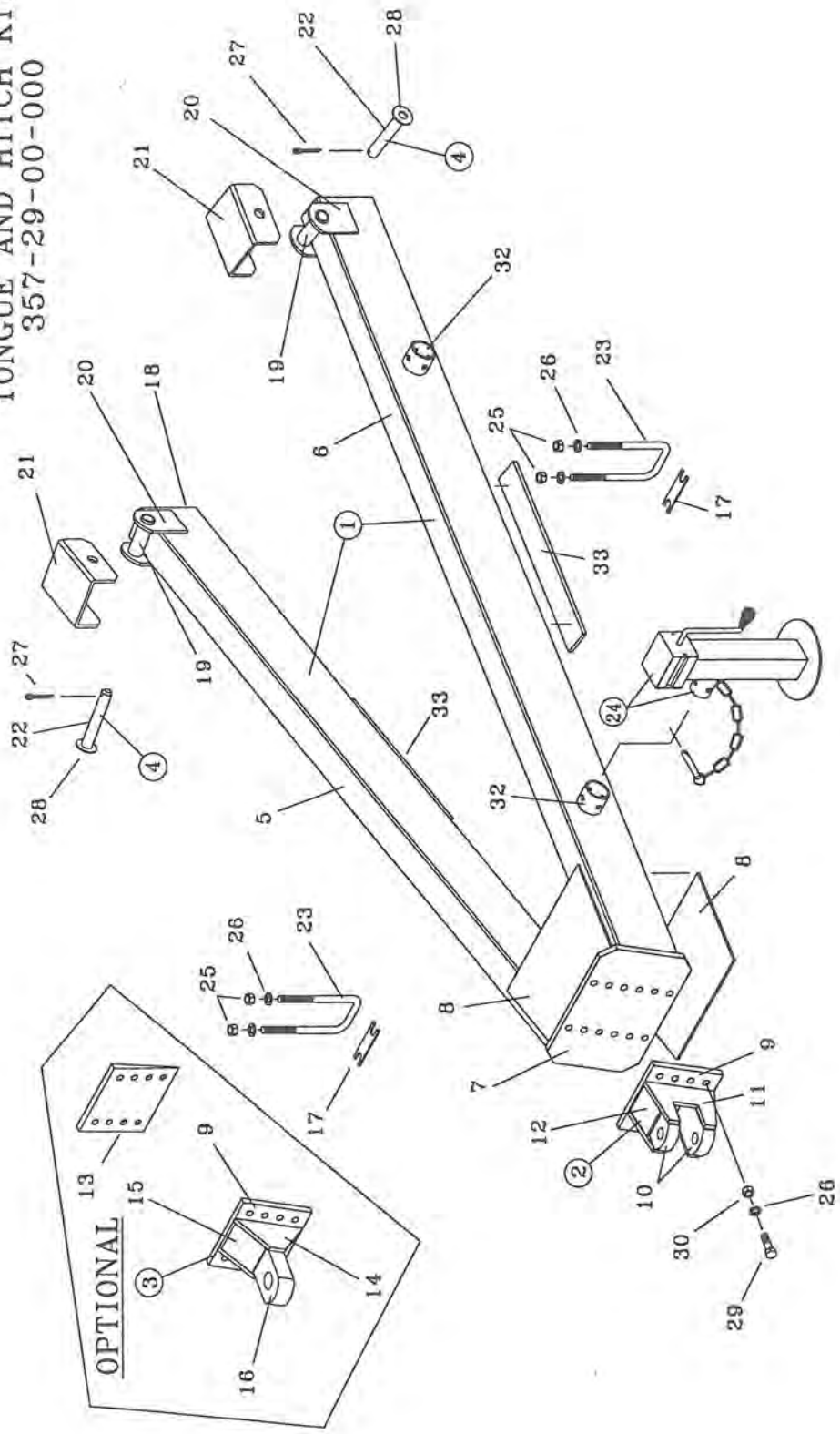
AXLE CONTINUED

<u>Keys</u>	<u>Parts Number</u>	<u>Description</u>	<u>Qty</u>
53	340-00-00-347	Spindle	4
54	340-43-00-554	Dust Cap	4
55	358-83-01-235	Walker Sleeve	2
56	R20083	Seal CR-38730	4
57	R20086	Inner Cone 476871	4
58	R20087	Outer Cone 39585	4
59	R20088	Inner Cup 47620	4
60	R20089	Outer Cup 39520	4
61	R20096	Wheel Bolts 3/4 - 16 UNF	40
62	R07820	3/4 - 16 UNF Fedalloy Hex Nut	40
63	R07834	3/4" Fedalloy Flat Washer	40
	R20152	3/4" Spherical Radius Washer	*
64	R20084	Dust Cap Gasket	4
65	R07690	Dust Cap Bolt 5/16 x 5/8	16
66	R08183	1/4 - 28 UNF Grease Fitting	43
67	R22049	16000lb - 10 Bolt Ductile Hub	4
68	R20095	Cotter Pin	4
69	R20094	Spindle Flange Nut 1 3/4 - 12 UNF	4
70	R07786	5/8 Hex Nut	9
71	R07653	5/8 x 6" Hex Bolt	1
72	R07806	5/8 Lock Washer	1
73	R07927	5/8 x 1 1/2 Square Head Set Screw	8

AXLE KIT 394-01-00-000



TONGUE AND HITCH KIT
357-29-00-000

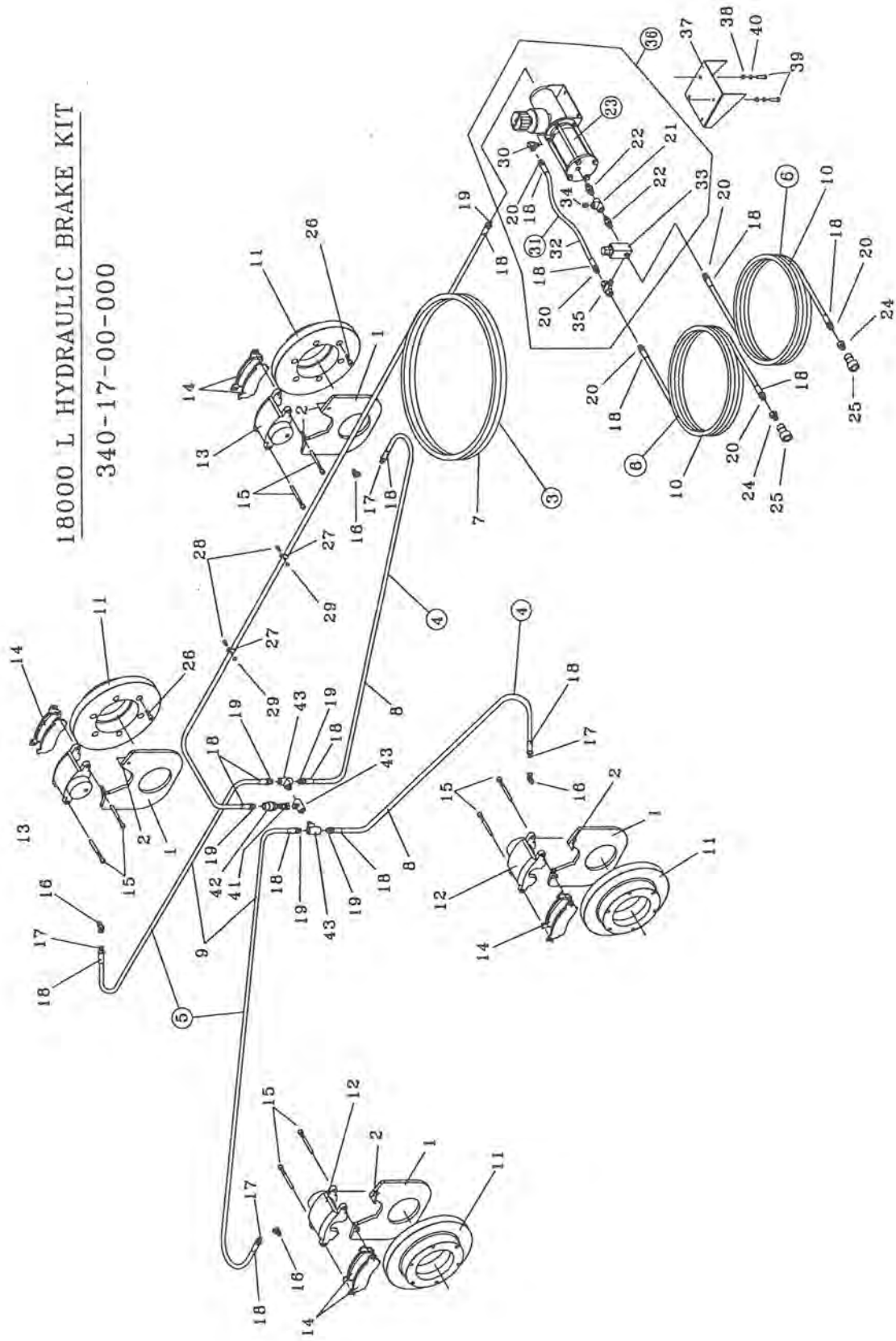


TONGUE AND HITCH

<u>Keys</u>	<u>Parts Number</u>	<u>Description</u>	<u>Qty</u>
1	357-27-00-000	Tongue Assembly	1
2	358-43-00-000	Standard Hitch Assembly	1
3	358-44-00-000	Single Point Hitch Assembly	*
4	315-39-00-000	Lock Pin Assembly	2
5	357-27-00-165	RH Tongue Tube	1
6	357-27-00-164	LH Tongue Tube	1
7	358-42-00-137	Hitch Bolt Plate	1
8	357-27-00-166	Tongue Tube Gusset	2
9	358-43-00-139	Hitch Back Plate	1
10	358-43-00-140	Hitch Plate	2
11	358-43-00-141	Hitch Side Gusset	2
12	358-43-00-142	Hitch Upper Gusset	2
13	358-00-00-143	Wedge Plate (Used w/Straight Axle)	*
14	358-44-00-144	Side Gusset	2
15	358-44-00-145	Top Gusset	2
16	364-26-00-091	Single Point Hitch	1
17	364-00-00-131	"U" Bolt Spacer	2
18	315-36-00-147	Tongue Tube End Cap	2
19	315-36-00-145	Bushings	2
20	315-36-00-146	Side Piece	4
21	315-31-00-115	Tongue "U" Piece	2
22	315-39-00-155	Lock Pin	2
23	R08172	3/4 NF x 10" "U" Bolt	2
24	357-14-00-000	8000LB Side Wind Jack	1
25	R07820	3/4" NF Hex Nut	4
26	R07807	3/4" Lock Washer	12
27	R08016	1/4 x 2 Cotter Pin	2
28	R07830	1 1/4" Flat Washer	2
29	R07655	3/4 x 2 1/2 Hex Bolt	8
30	R07787	3/4" UNC Hex Nut	8
31	357-00-00-129	Reinforcing Plate - 23000L and Larger	2
32	364-35-00-245	Tongue Jack Storage Bracket	2
33	357-00-00-129	Reinforcing Plate 23000L & 28000L Only	

18000 L HYDRAULIC BRAKE KIT

340-17-00-000

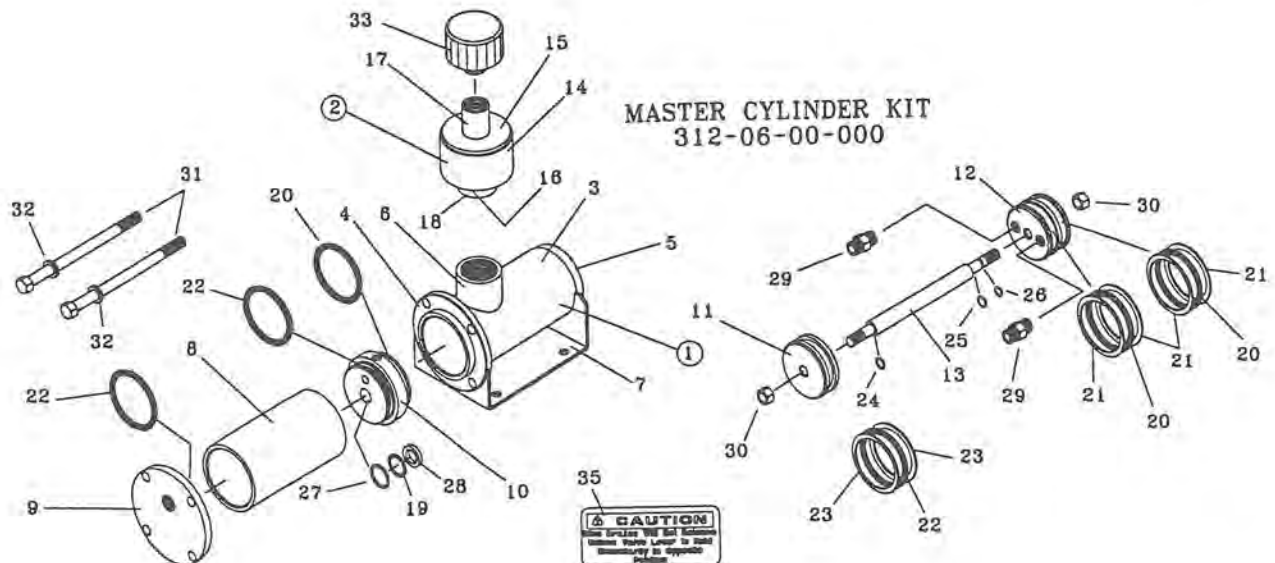


HYDRAULIC BRAKE KIT

<u>Keys</u>	<u>Parts Number</u>	<u>Description</u>	<u>Qty</u>
1	340-08-10-332	Caliper Mounting Plate	4
2	340-08-10-334	Caliper Mounting Support	8
3	340-17-38-000	Hyd. Brake Hose Assy. - Main Line	1
4	340-17-13-000	Hyd. Brake Hose Assy. - Front 18 x 22.5	2
	340-17-15-000	Hyd. Brake Hose Assy. - Front 28L x 26	*
5	340-17-14-000	Hyd. Brake Hose Assy. - Rear 18 x 22.5	2
	340-17-16-000	Hyd. Brake Hose Assy. - Rear 28L x 26	*
6	340-17-39-000	Hyd. Hose Assy.	2
7	340-17-38-544	Hyd. Hose - Main Line	1
8	340-17-13-368	Hyd. Hose - Front 18 x 22.5	2
	340-17-15-390	Hyd. Hose - Front 28L x 26	*
9	340-17-14-369	Hyd. Hose - Rear 18 x 22.5	2
	340-17-16-391	Hyd. Hose - Rear 28L x 26	*
10	340-17-39-545	Hyd. Hose	2
11	R20098	Cast Disc Brakes	4
12	R21065	R.H. Brake Caliper TC500	2
13	R21066	L.H. Brake Caliper TC501	2
14	R21067	Brake Pads (Pair)	4
15	R21070	Guide Pins	8
16	R21308	45 Deg. 7/16 SAE x 1/4 NPT Adaptor	4
17	R20802	1/4-18 NPT Solid Male Stem	4
18	R21231	Steel Ferrule (1/4" Hose)	16
19	R20806	3/8-18 NPT Swivel Male Stem	6
20	R20803	3/8-18 NPT Solid Male Stem	6
21	R21400	3/8 Pipe Tee	1
22	R21399	3/8 Hyd Nipple	2
23	312-06-00-000	Master Cylinder Kit	1
24	R02043	1/2 x 3/8 Bushing	2
25	R21342	Pioneer Coupler	2
26	R07871	1/2-20 x 3 Socket Hd. Cap Screw	24
27	R21104	Hyd. Hose Clips	12
28	R07698	1/4 x 1/2 hex Bolt	12
29	R07781	1/4 hex Nut	12
30	R21334	1/4M x 3/8 F x 90 Deg. Swivel Adaptor	1
31	312-06-05-000	Hydraulic Hose Assy.	1
32	312-06-05-048	Hydraulic Hose	1
33	R21201	Relief Valve	1
34	R02151	3/8 Pipe Plug	1
35	R21391	3/8 NPT Swivel Tee Adaptor	1
36	312-09-00-000	Master Cylinder With Relief & Hose	1
37	312-06-00-047	Tongue Brkt	1
38	R07788	3/8-16 UNC Hex Nut	4
39	R07620	3/8-16 UNC x 1 1/2 Hex Bolt	4
40	R07803	3/8 Lock Washer	4
41	R21337	3/8 Female Pioneer End	1
42	R21339	3/8 Male Pioneer End	1
43	R22111	3/8 Tee - Female To Male	3

MASTER CYLINDER

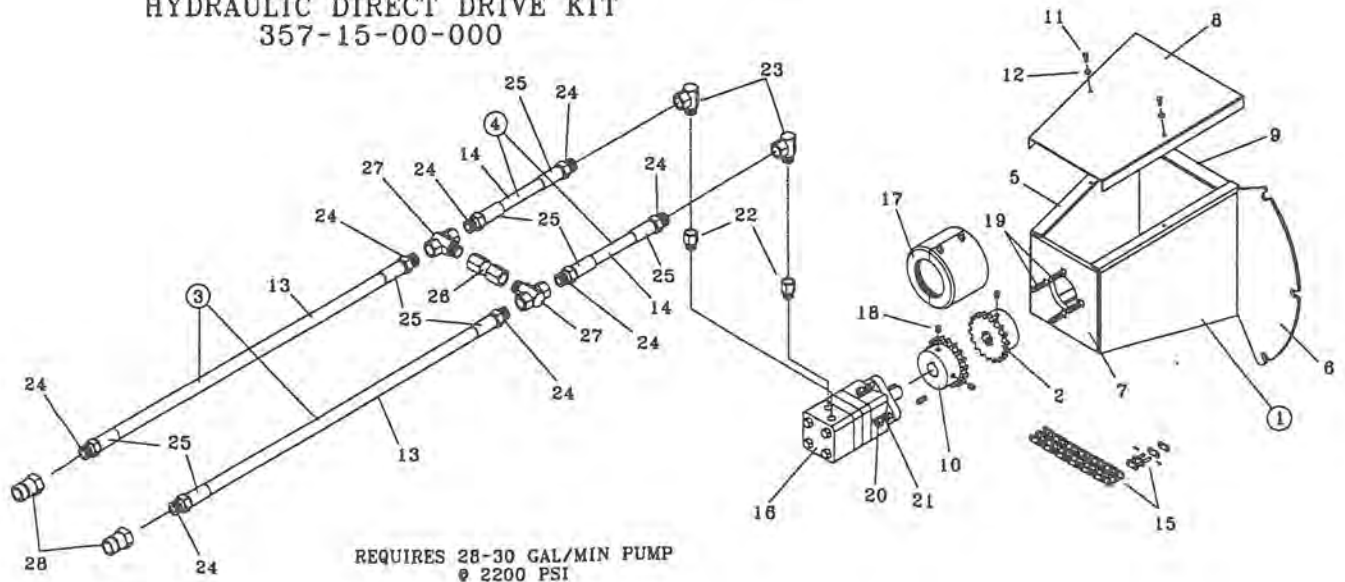
<u>Keys</u>	<u>Parts Number</u>	<u>Description</u>	<u>Qty</u>
1	312-06-02-000	Master Cylinder Tube Assembly	1
2	312-06-03-000	Reservoir Assy	1
3	312-06-02-030	Master Cylinder Tube	1
4	312-06-02-031	Master Cylinder Flange	1
5	312-06-02-032	Master Cylinder End Cap	1
6	312-06-02-033	Coupler	1
7	312-06-02-034	Mount Plate	1
8	312-06-00-035	Hydraulic Cylinder Tube	1
9	312-06-00-036	Hydraulic Cylinder End Cap	1
10	312-06-00-037	Cylinder Divider Block	1
11	312-06-00-038	Hydraulic Plunger	1
12	312-06-00-039	Master Cylinder Plunger	1
13	312-06-00-040	Shaft	1
14	312-06-03-041	Reservoir Tube	1
15	312-06-03-042	Reservoir Top Plate	1
16	312-06-03-043	Reservoir Bottom Plate	1
17	312-06-03-045	Reservoir Coupling	1
18	312-06-03-046	Reservoir Nipple	1
19	R20874	3/4" Back Up Teflon	1
20	R20868	EP ORing #334 (2 5/8 x 3 x 3/16)	3
21	R20873	Back Ups Teflon #334	4
22	R20836	O Ring #11-334 (2 5/8 x 3 x 3/16)	3
23	R20837	Back Ups #8-334	2
24	R20865	O Ring #11-014 (1/2 x 5/8 x 1/16)	1
25	R20870	EP Oring 014 (1/2 x 5/8 x 1/16)	1
26	R20869	EP Oring 012 (3/8 x 1/2 x 1/16)	1
27	R20871	EP Oring 210 (3/4 x 1 x 1/8)	1
28	R20872	3/4" Hytrel Rod Wiper 52-750	1
29	R21207	3/8 Check Valve	2
30	R07885	1/2"-13 UNC Lock Nut	2
31	R07679	1/2-13 UNC x 8 Hex Bolt	4
32	R07805	1/2 Lock Washer	4
33	R21103	Filler Breather	1
34	312-07-00-000	O Ring Repair Kit	*
35	R09689	"Caution" Decal	1



DIRECT HYDRAULIC DRIVE KIT 357-15-00-000

<u>Keys</u>	<u>Parts Number</u>	<u>Description</u>	<u>Qty</u>
1	384-02-01-000	Direct Drive Mount Plate Assembly	1
2	384-02-00-072	#60-18 Sprocket w/6 T Spline	1
3	364-48-24-000	Hydraulic Hose Assembly	2
4	364-48-32-000	Hydraulic Hose Assembly	2
5	384-02-01-002	RH Extension Plate	1
6	384-02-01-003	LH Extension Plate	1
7	384-02-01-004	Motor Mount Plate	1
8	384-02-00-005	Guard	1
9	384-02-01-012	Reinforcing Strap	2
10	384-02-00-007	60-18 Sprocket for Hyd. Motor	1
11	R07698	1/4" x 1/2" Hex Bolt	2
12	R07801	1/4" Lock Washer	2
13	364-48-24-163	3/4" Hydraulic Hose	2
14	364-48-32-187	3/4" Hydraulic Hose	2
15	R20883	#60 Coupling Chain w/Conn. Link	1
16	R21422	MS160 Hydraulic Motor w/Key	1
17	R20617	#60-18 Coupling Cover	1
18	R07911	3/8 x 3/4 Set Screw	4
19	R07744	1/2 x 2 Carriage Bolt	4
20	R07785	1/2" Hex Nut	4
21	R07805	1/2" Lock Washer	4
22	R20815	7/8 SAE 3/4" NPT Straight Swivel	2
23	R21332	3/4" NPT 90 Deg. Swivel Adaptor	2
24	R21241	3/4" Male Stem	8
25	R20824	3/4" Ferrule	8
26	R21202	3/4" NPT In Line Check Valve	1
27	R21393	3/4" NPT Hydraulic Swivel Tee	2
28	R21338	3/4" Pioneer Fitting	2

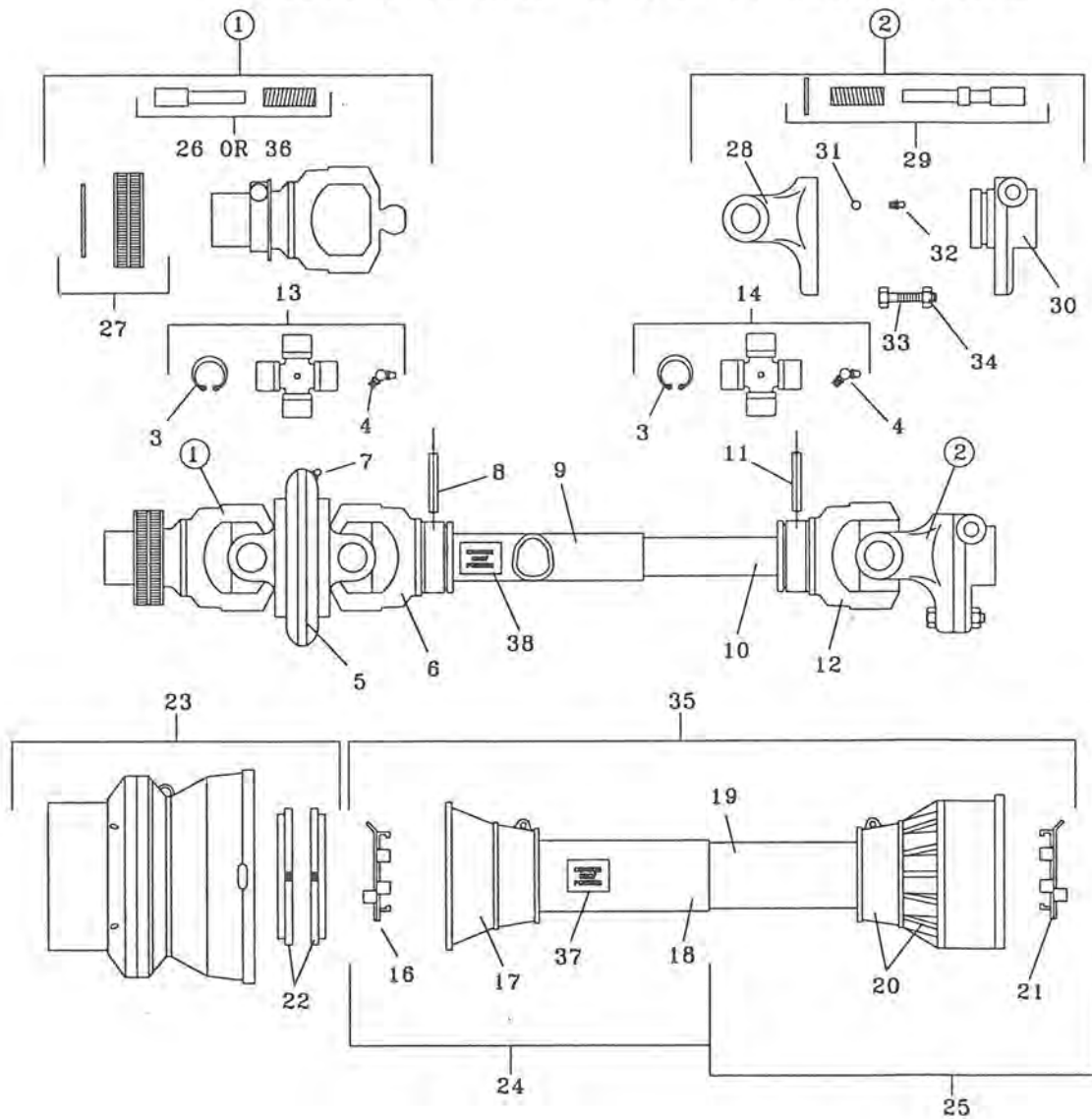
**HYDRAULIC DIRECT DRIVE KIT
357-15-00-000**



BONDIOLI AND PAVESI PTO

C/W 80° CV JOINT

R21582-540 RPM	1	3/8"	6 TOOTH SPLINE
R21583-1000 RPM	1	3/8"	21 TOOTH SPLINE
R21584-1000 RPM	1	3/4"	20 TOOTH SPLINE



80 DEG. BONDIOLI AND PAVESI CV PTO - FOR LONG TONGUE

R21582 540 RPM 6 TOOTH

R21583 1000 RPM 21 TOOTH

R21584 1000 RPM 20 TOOTH

<u>Keys</u>	<u>Mfg #</u>	<u>Part #</u>	<u>Description</u>	<u>Qty</u>
1	573043875	R21712	1 3/4" - 20 T Yoke	1
	573040375	R21681	Yoke w/ Bridge 540 RPM 1 3/8 - 6 T	1
	573043775	R21680	Yoke w/ Bridge 1000 RPM 1 3/8 - 21 T	1
2	606404001	R21473	Torque Lim SB 4/4	1*
3	338009000	R21613	Circlip	8
4	348004000	R21655	Grease Nipple	3
5	511040051	R21685	Central Body	1
6	215046854	R21686	Yoke	1
7	348017000	R21687	Grease Nipple	1
8	341038000	R21475	Flexible Pin	1*
9	225311060	R22177	Cardan Tube	1
10	245101060	R22176	Cardan Tube CM	1
11	341048000	R21476	Flexible Pin	1*
12	204046852	R21472	Inner Tube Yoke	1*
13	412040012	R21682	Cross Journal Assy	2
14	41204	R21693	Cross Journal Assy	1
15	338017000	R21694	Circlip	4
16	255040005	R21696	O. Bearing 3-4	1*
17	254040024	R21697	O. Basic Cones N3-4	1
18	236681007	R22179	CM Safety Tube L=1007	1
19	236671007	R22178	CM Safety Tube L=1007	1
20	517040061	R21700	I. Cone Set N3-4	1
21	255040006	R21701	I. Bearing 3-4	1*
22	255040351	R21702	Ring Nut Dowels	2
23	517048001	R21703	Complete Shell	1
24	5FE4121E1654	R22181	Half Safety Guard	1
25	5F14121FF	R22181	Half Safety Guard	1
26	403000001	R21669	Complete Push Button	1~
27	240080061	R21670	Hub	1~
	240040061	R21708	Hub for 1 3/4" 20T	*
28	213040020	R21704	Shear Yoke	1
29	401000001	R21451	Complete Push Button	1~*
30	513070324	R21706	Hub c/w Quick Disconnect	1
31	362002000	R21705	1/4" Ball	23
32	348012000	R21672	Grease Nipple	1
33	432000047	R08251	M8 1.25 x 45 Bolt	1
34		R08252	M8 1.25 x Lock Nut	1
35	5F04121E1654	R22182	Safety Guard	1
36	403000011	R21735	Push Pin for 1 3/4 - 20 T Turnlock	1
37		R21521	"Warning" Decal	1
38		R21523	"Shield Missing" Decal	1

* Same as 70 Deg. CV. PTO

~ Same as K31

HUSKY FARM EQUIPMENT LIMITED

ALMA, ON N0B 1A0

PHONE: (519) 846 - 5329

FAX: (519) 846 - 9378

5 YEAR AXLE WARRANTY

Husky Farm Equipment Limited will guarantee for 5 years from date of invoice, all Manure Spreader undercarriages and axle assemblies, if used on a farm for farm purposes.

Husky will replace free of charge:

1. Any part of the axle which should break or collapse through overload.
2. Any spindles or hub which should break.
3. Any wheel and rim assemblies which should fail.

Exempt from extended warranty are:

1. Bearings and tires which are covered under normal warranty and do require maintenance to avoid failure.
2. Spindles damaged through bearing failure.
3. Wheel or rim damage resulting from owner failing to keep wheel bolts tight.
4. 23000 Litre (6000 US Gal) is not covered because it is custom built.

To qualify for extended warranty, damaged parts must be returned to Husky Farm Equipment Limited, prepaid, along with serial number and copy of the original invoice.

All parts supplied by Husky on warranty, will be shipped freight collect. Extended warranty covers damaged parts only and does not cause liability on Husky for any damage resulting from such failure.

TEN YEAR WARRANTY AGAINST RUSTOUT

Husky Farm Equipment provides a 10 year warranty against premature perforation (rustout) of any liquid manure spreader manufactured later than Jan. 1987. Providing the manure spreader is used for manure or sludge and not for chemical products.

Extended warranty is pro rated and will be paid only through the crediting off of the then current list price of a replacement manure spreader that portion of the warranty not used up in time.

Warranty will be effective toward replacing spreader only and no cash payments will be made. It will be understood that the original equipment to be replaced will then become the property of Husky Farm Equipment.

This extended warranty will be effective through Husky Farm Equipment factory or factory outlet only, copy of the original invoice to be supplied along with the serial number. This warranty will not be effective for commercial custom haulers or to owners other than the original.

Transportation to and from the factory to be paid for by the owner of the equipment and not by Husky Farm Equipment.