

Office Copy
 November 1, 1999 - 14 made
 Mar 30/00 - 5"
 Aug 28 - 8"
~~Nov 28/00~~ - 8"
 Apr 27/01 - 10"
 Oct 5/01 - 8"
 Feb 26/02 - 10"
 May 8/02 - 8"
 Feb 24/03 - 5"
 Sep 29/03 - 10"
 May 5/04 - ~~10~~ 5"
 June 3 - 9"
 Oct 4/04 - 8"

Date Purchased _____ Machine Serial No. _____

Size of Spreader _____ Options _____

PLEASE NOTE:

The key number system in this parts book is arranged as follows:

- 0 -- Key number with one circle denotes main assemblies
- Key Numbers not circled are individual parts.

Please order parts by number

18000L SLIM LINE
 HUSKY LIQUID MANURE SPREADER

OPERATING INSTRUCTIONS:

1. Heed all warnings.
2. Minimum HP requirements to safely operate on level terrain. on hilly terrain HP should be increased.

| | |
|--------------|--------|
| 14000L | 130 HP |
| 15000L | 140 HP |
| 18000L | 160 HP |
| 23000L | 200 HP |
| 28000L | 250 HP |
3. If machine is equipped with hydraulic brakes that are operated from the tractor hydraulics, they will not work should the tractor motor stop.

Inspect brakes before each use. Brakes must be bled before initial use unless installed at factory.

When releasing brakes the tractor hydraulic lever must be put in the opposing position to release pressure. Do not put in float position they will not release.
4. Tractor PTO spline must be approximately 14" (355 mm) from end of compressed PTO for proper adjustment.
5. Hitch tanker to tractor with minimum of 1" (25mm) hardened hitch pin with a safety lock. Use 10,000 Lbs safety chain from spreader to tractor.
6. Do not use tongue jack stand to support loaded spreader. Put jack in storage position before using.
7. When hooking PTO to tractor make sure motor is stopped. Make sure QD (Quick Disconnect) safety locking pin is in locked position before using.
8. Clean off hose ends before plugging into tractor hydraulics. If spreader is equipped with hydraulic drive on spreading attachment, make sure tractor has sufficient oil flow and pressure to maintain satisfactory spread pattern. if not use another tractor.

OPERATING INSTRUCTIONS continued:

9. After using spreader in freezing conditions make sure impeller housing is drained.
10. Wash tank inside and out each time work is finished. This will increase life of tank by many years. See item 6 of Safety instructions.
11. Do not drive on public roads after dusk unless equipped with lights required by Department of Transportation in your area.
12. Remove wheels annually and grease wheel bearings.
13. Because manure smells, many farmers have made unfriendly neighbours. If in a residential area a manure injector is a recommended option to bury the smell.
14. Much of the fertilizer value of manure is lost when exposed to air. Getting the manure covered quickly is a very important part of spreading manure.
15. If rustproof coating on interior shows signs of deterioration, have interior repainted. This can be done with a roller or brush. This helps to increase the life of your spreader. It is a valuable maintenance procedure.

SAFETY INSTRUCTIONS:

Do not operate this machine until you fully understand the safe operating practices.

1. Make sure all moving parts are shielded to prevent coming in contact with loose clothing.
2. Keep children clear, do not let children or anyone ride on the spreader at anytime.
3. Do not support loaded spreader on tongue jack.
4. Keep tire pressure to recommended pressure at all times. Recommended tire pressure being:

| | | Lbs | KPA |
|------------|--------------------|-----|-----|
| 18.4L x 26 | Turf Tires | 26 | 180 |
| 28L x 26 | Turf Tires | 24 | 166 |
| 30.5L x 32 | Turf Tires | 24 | 166 |
| 35.5L x 32 | Turf Tires | 32 | 220 |
| 23.5L x 25 | Loader Dozer Tires | 55 | 379 |

$$1 \text{ Lb} = 6.8947 \text{ KPA}$$

5. Keep wheel bolts torqued to recommended torque at all times.

| Wheel Bolt Size | Torque <u>Dry</u> | Ft./Lbs. <u>Oiled</u> | Torque <u>Dry</u> | Meter/Kg <u>Oiled</u> |
|-----------------|----------------------|--------------------------|----------------------|--------------------------|
| 9/16 - 18 NF | 190 | 145 | 26.28 | 20.06 |
| 5/8 - 18 NF | 270 | 205 | 37.34 | 28.35 |
| 3/4 - 16 NF | 470 | 360 | 65.01 | 49.79 |

(Check Daily)

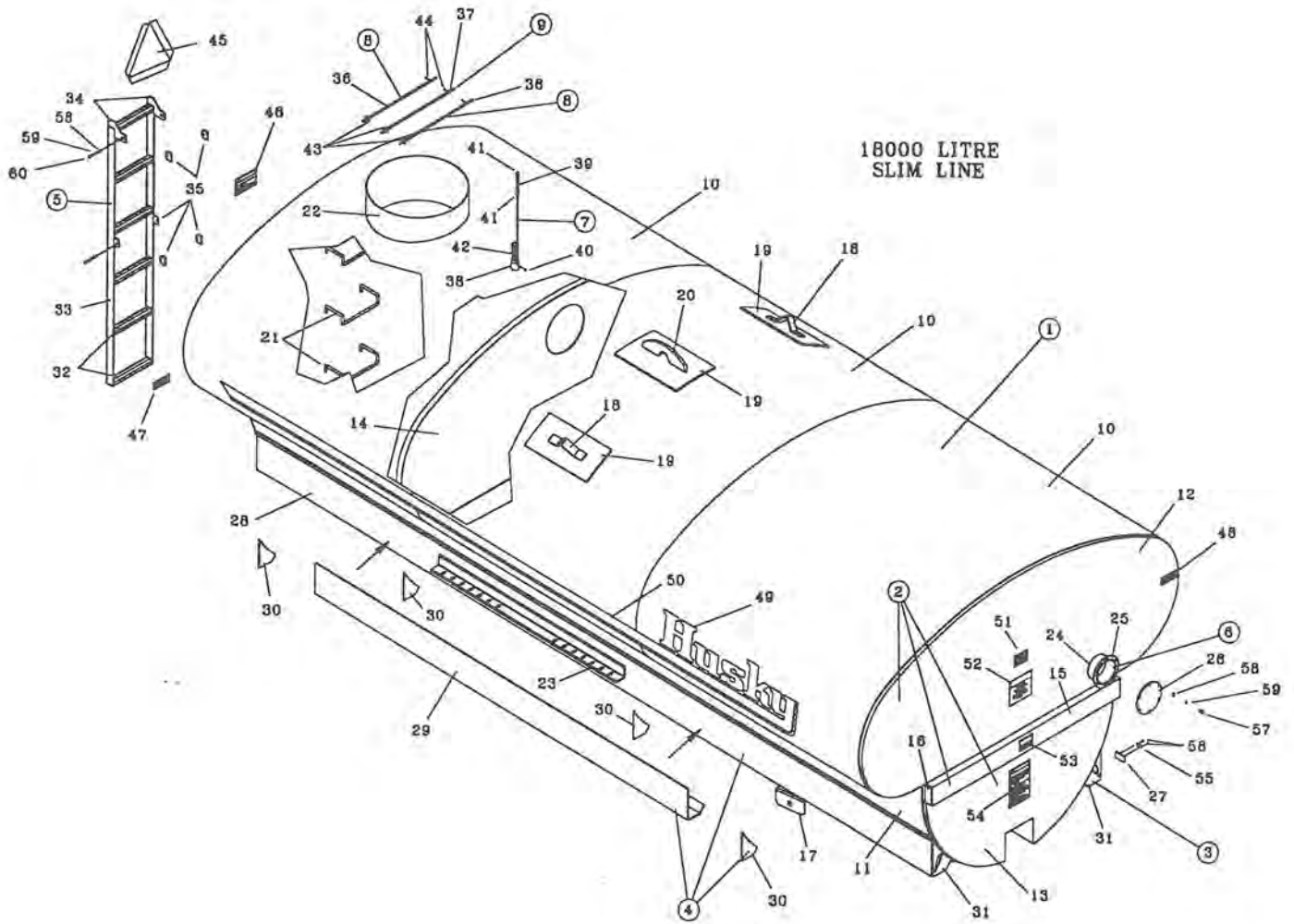
6. Never enter a tanker without special breathing equipment to supply oxygen. Manure gases can kill instantly. One breath of Hydrogen Sulphide can kill.
7. When looking up or repairing hydraulic hoses always wear safety glasses and relieve pressure to avoid getting oil in eyes.
8. Caution - disc brakes will not release unless valve lever is held momentarily in opposite position. This will relieve pressure in brake line. Do not put in float position, they will not release.

18000L TANK

| <u>Keys</u> | <u>Parts Number</u> | <u>Description</u> | <u>Qty</u> |
|-------------|---------------------|--------------------------------|------------|
| 1 | 394-03-00-000 | 18000L Tank & Sill Assy Compl. | 1 |
| 2 | 394-03-01-000 | 18000L Tank Assembly | 1 |
| 3 | 394-03-02-000 | LH Sill Assembly | 1 |
| 4 | 394-03-03-000 | RH Sill Assembly | 1 |
| 5 | 364-95-00-000 | Ladder Assembly | 1 |
| 6 | 330-20-03-000 | Access Tube Assembly | 1 |
| 7 | 340-62-00-000 | Husky Flag Kit | 1 |
| 8 | 364-47-00-000 | Safety Bar Assembly | 2 |
| 9 | 364-49-00-000 | Long Safety Bar Assembly | 1 |
| 10 | 394-03-01-019 | Top Shell | 3 |
| 11 | 394-03-01-020 | Bottom Shell | 2 |
| 12 | 394-03-01-021 | Top End | 2 |
| 13 | 394-03-01-022 | Bottom End | 2 |
| 14 | 394-03-01-023 | Baffle | 2 |
| 15 | 394-03-01-024 | Tank End Stiffener | 2 |
| 16 | 330-66-00-258 | Stiffener Cap | 4 |
| 17 | 394-03-00-014 | Tongue "U" Piece | 2 |
| 18 | 330-01-00-012 | Lift Hook | 2 |
| 19 | 340-01-00-546 | Reinforcing Plate | 3 |
| 20 | 340-01-00-555 | Heavy Duty Lift Hook | 1 |
| 21 | 364-02-00-008 | Ladder | 4 |
| 22 | 364-02-00-006 | Manhole | 1 |
| 23 | 364-02-00-280 | Axle Adjustment Angle | 2 |
| 24 | 330-20-03-556 | Access Tube | 1 |
| 25 | 330-20-03-560 | Access Tube Flange | 1 |
| 26 | 330-20-00-559 | Access Tube Cover Plate | 1 |
| 27 | 340-01-00-499 | Serial Number Plate | 1 |
| 28 | 394-03-02-027 | Sill | 2 |
| 29 | 394-03-02-028 | Inner Sill | 2 |
| 30 | 394-03-02-029 | Sill Stiffener | 8 |
| 31 | 394-03-02-030 | Sill Cap | 4 |
| 32 | 364-95-00-324 | Ladder Step | 6 |
| 33 | 364-95-00-325 | Ladder Side | 2 |
| 34 | 364-95-00-326 | Ladder Lug | 2 |
| 35 | 364-95-00-327 | Ladder & Tank Lug | 6 |
| 36 | 364-24-00-155 | Manhole Safety Bar | 2 |
| 37 | 364-49-00-164 | Long Manhole Safety Bar | 1 |
| 38 | 340-00-00-536 | Indicator Spring Holder | 1 |
| 39 | 340-62-00-553 | Indicator | 1 |
| 40 | R07926 | 5/16 - 18 x 1/4 SS Set Screw | 1 |
| 41 | R08163 | Clip | 2 |
| 42 | R08037 | Indicator Spring | 1 |
| 43 | R07825 | 12" Flat Washer | 3 |
| 44 | R08207 | 5/32 x 1 1/2 SS Cotter Pin | 3 |
| 45 | R09501 | "Slow Moving Vehicle" Sign | 1 |
| 46 | R09784 | "Danger, Toxic Gas" Decal | 1 |
| 47 | R10096 | Red Reflector | 2 |
| 48 | R10097 | Amber Reflector | 1 |
| 49 | R09510 | "Husky" Decal | 2 |
| 50 | R09511 | Accent Stripe | 2 |
| 51 | R09509 | "Made In Canada" Decal | 1 |
| 52 | R09730 | "Tire Pressure" Decal | 1 |

18000L TANK CONTINUED

| <u>Keys</u> | <u>Parts Number</u> | <u>Description</u> | <u>Qty</u> |
|-------------|---------------------|------------------------|------------|
| 53 | R09512 | "Capacity" Decal | 1 |
| 54 | R09783 | "Caution" Decal | 1 |
| 55 | R09071 | Serial Number | 1 |
| 56 | R08152 | 6 x 1/4 Pan Head Screw | 2 |
| 57 | R07675 | 3/8 x 1 1/4 Hex Bolt | 6 |
| 58 | R07783 | 3/8 Hex Nut | 10 |
| 59 | R07803 | 3/8 Lock Washer | 10 |
| 60 | R07620 | 3/8 x 1 1/2 Hex Bolt | 4 |

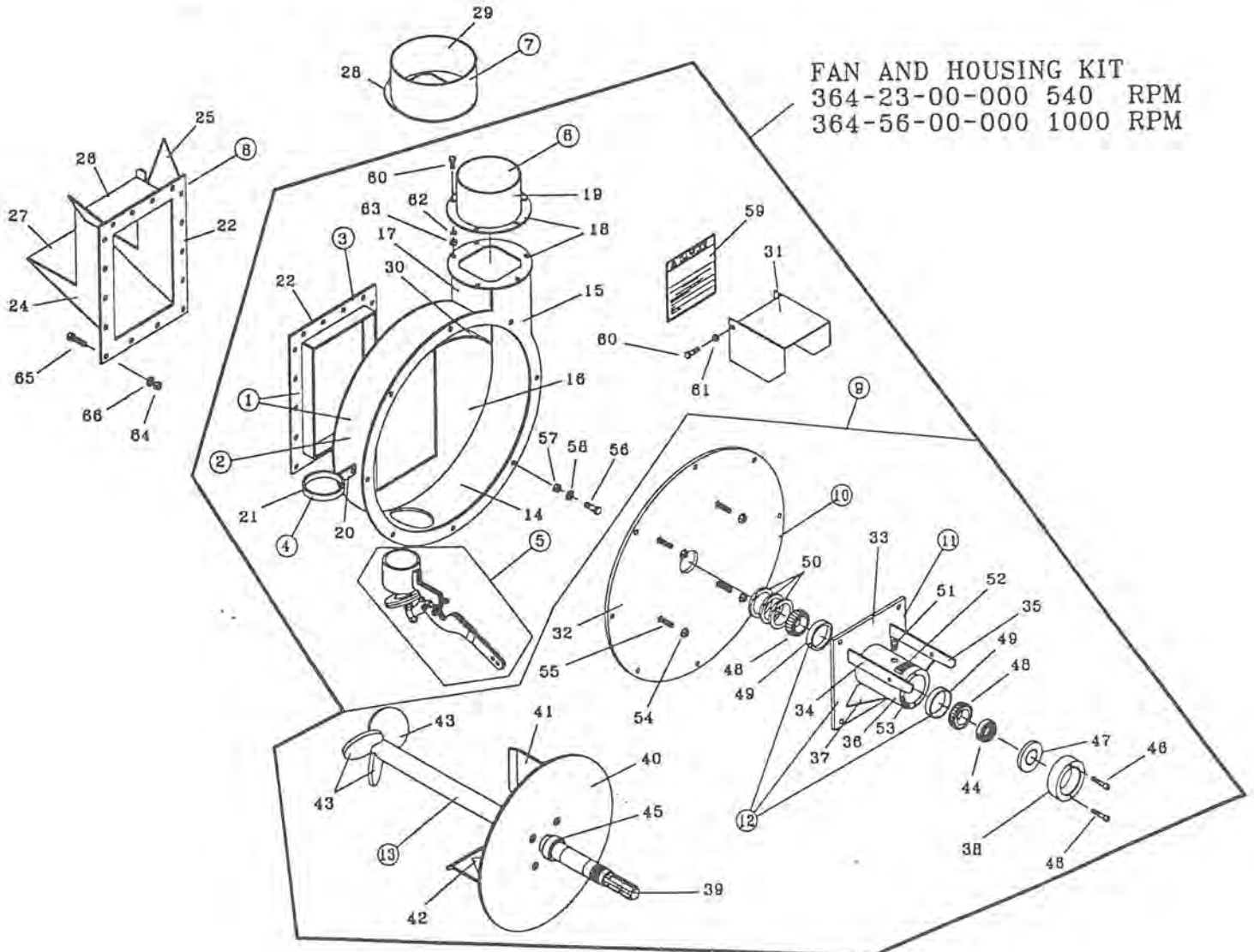


FAN & HOUSING KIT

| <u>Keys</u> | <u>Parts Number</u> | <u>Description</u> | <u>Qty</u> |
|-------------|---------------------|-------------------------------------|------------|
| 1 | 364-81-00-000 | Fan & Housing Assy Complete | 1 |
| 2 | 364-81-01-000 | Fan Housing w/o Flange | 1 |
| 3 | 364-81-02-000 | Housing Inlet Flange Assy | 1 |
| 4 | 364-41-00-000 | p t o holder assy | 1 |
| 5 | 364-62-00-000 | Drain Plug Kit | 1 |
| 6 | 364-31-00-000 | Hose Tube Assy "6" | 1 |
| 7 | 358-92-01-000 | Hose Tube Assy "8" | 1 |
| 8 | 364-82-00-000 | flanged tank outlet assy | 1 |
| 9 | 364-65-00-000 | 540 Fan, Cover Plate & Bearing Kit | 1 |
| | 364-66-00-000 | 1000 Fan, Cover Plate & Bearing Kit | 1 |
| 10 | 364-67-00-000 | Cover plate assy | 1 |
| 11 | 364-61-00-000 | bearing holder assy | 1 |
| 12 | 364-61-01-000 | Bearing holder assy w/caps | 1 |
| 13 | 364-72-00-000 | 540 fan shaft & agitator assy | 1 |
| | 364-73-00-000 | 1000 fan shaft & agitator assy | 1 |
| 14 | 364-01-03-018 | housing band | 1 |
| 15 | 364-01-03-019 | Housing flange | 1 |
| 16 | 364-01-03-106 | Housing back plate | 1 |
| 17 | 364-01-03-081 | Fan housing vertical pc | 1 |
| 18 | 364-01-03-376 | discharge ring - 6" | 2 |
| 19 | 364-01-03-063 | Discharge tube | 1 |
| 20 | 364-41-00-133 | PTO holder bracket | 1 |
| 21 | 364-41-00-132 | PTO holder | 1 |
| 22 | 364-81-02-393 | flange | 2 |
| 23 | 364-81-02-394 | Inlet extension | 2 |
| 24 | 364-82-00-395 | RH outlet side pc | 1 |
| 25 | 364-82-00-396 | LH outlet side pc | 1 |
| 26 | 364-01-03-104 | outlet top pc | 1 |
| 27 | 364-01-03-105 | Outlet bottom pc | 1 |
| 28 | 358-92-01-301 | Discharge ring | 1 |
| 29 | 358-92-01-302 | Discharge tube | 1 |
| 30 | 364-01-03-156 | housing band aid | 1 |
| 31 | 364-00-00-029 | Flip guard | 1 |
| 32 | 364-67-00-211 | Cover plate | 1 |
| 33 | 364-61-00-192 | Seal tube back plate | 1 |
| 34 | 364-61-00-197 | r h flip guard bracket | 1 |
| 35 | 364-61-00-198 | LH flip guard bracket | 1 |
| 36 | 364-61-00-191 | Bearing tube | 1 |
| 37 | 364-61-00-193 | Seal tube gusset | 2 |
| 38 | 364-00-00-332 | seal tube cap | 1 |
| 39 | 364-72-00-226 | Fan shaft | 1 |
| 40 | 364-63-00-209 | Impeller back plate | 1 |
| 41 | 364-63-00-208 | 540 r p m fan blade | 4 |
| | 364-64-00-210 | 1000 r p m fan blade | 4 |
| 42 | 364-03-00-024 | Gusset | 4 |
| 43 | 364-72-00-227 | Agitator blades | 3 |
| 44 | 364-00-00-212 | Stake nut | 1 |
| 45 | R20238 | hardened sleeve | 1 |
| 46 | R08175 | 5/16 - 18 u n c x 1 3/4 cap screw | 2 |
| 47 | R21196 | Seal - 1.5 x 2.835 x .313 | 1 |
| 48 | R20115 | Cone | 2 |
| 49 | R20113 | Cup | 2 |

FAN & HOUSING KIT CONTINUED

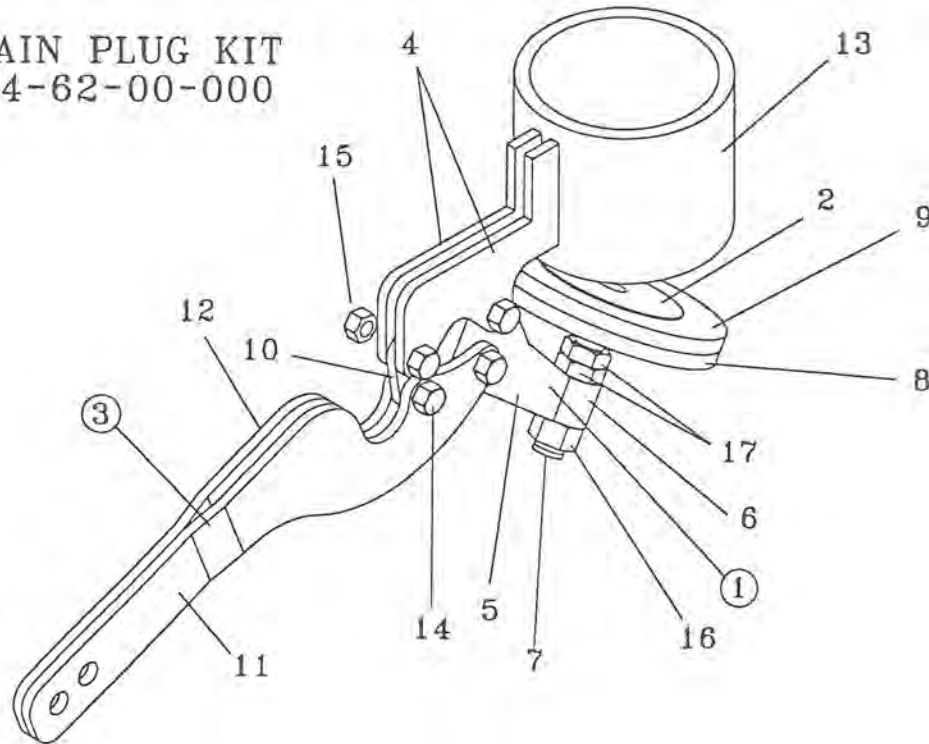
| <u>Keys</u> | <u>Parts Number</u> | <u>Description</u> | <u>Qty</u> |
|-------------|---------------------|---------------------------------------|------------|
| 50 | R21197 | Seal 2 1/2 x 3 x 1/4 | 3 |
| 51 | R08188 | 1/4" N p t grease fitting | 1 |
| 52 | R09787 | "Grease" decal | 1 |
| 53 | R04100 | silicone sealant | 1 |
| 54 | R07879 | 7/16" flange nut | 4 |
| 55 | R07774 | 7/16 x 1 1/4 carriage bolt gr.5 black | 4 |
| 56 | R07671 | 7/16 x 1 1/4 hex bolt | 8 |
| 57 | R07784 | 7/16 hex nut | 8 |
| 58 | R07804 | 7/16 lock washer | 8 |
| 59 | R09785 | "Danger" decal | 1 |
| 60 | R07619 | 3/8 x 1 hex bolt | 7 |
| 61 | R07886 | 3/8 lock nut | 2 |
| 62 | R07803 | 3/8 lock washer | 5 |
| 63 | R07783 | 3/8 hex nut | 5 |
| 64 | R07785 | 1/2" hex nut | 16 |
| 65 | R07664 | 1/2 x 1 1/4 hex bolt | 16 |
| 66 | R07805 | 1/2" lock washer | 16 |



DRAIN PLUG KIT

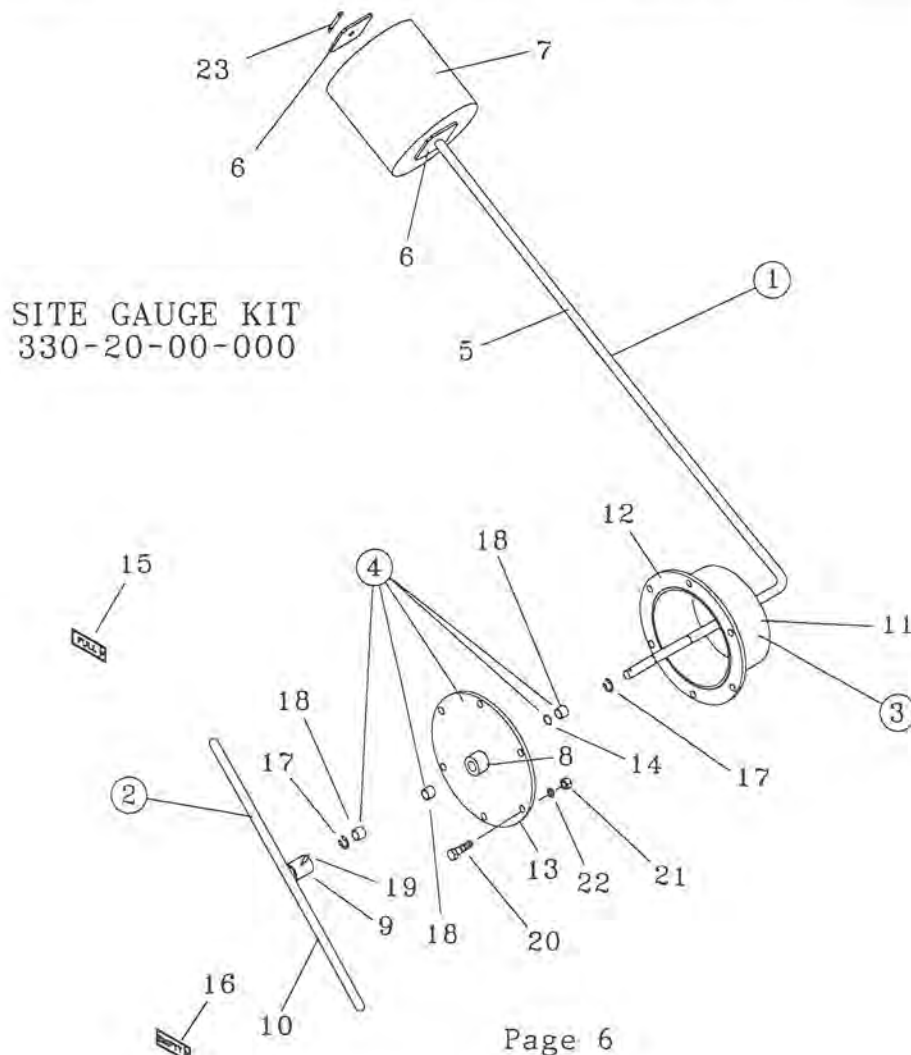
| <u>Keys</u> | <u>Parts Number</u> | <u>Description</u> | <u>Qty</u> |
|-------------|---------------------|----------------------------------|------------|
| 1 | 364-62-01-000 | Drain Plug Sleeve Assy | 1 |
| 2 | 364-62-04-370 | Plug Washer | 1 |
| 3 | 364-62-03-000 | Handle Assy | 1 |
| 4 | 364-62-00-199 | Housing Brkt | 2 |
| 5 | 364-62-01-200 | Sleeve Linkage | 1 |
| 6 | 364-62-01-201 | Sleeve | 1 |
| 7 | R08316 | 1/2 x 3 1/2 Full Thread Car Bolt | 1 |
| 8 | 364-62-02-203 | Plug Plate | 1 |
| 9 | 364-62-02-204 | Plug Rubber | 1 |
| 10 | 364-62-00-205 | Short Linkage | 1 |
| 11 | 364-62-03-206 | LH Handle | 1 |
| 12 | 364-62-03-207 | RH Handle | 1 |
| 13 | 364-01-03-110 | Drain Pipe | 1 |
| 14 | R08176 | 1/4-20 UNC x 7/8 Short Thrd Bolt | 4 |
| 15 | R08048 | 1/4-20 Lock Nut | 4 |
| 16 | R07885 | 1/2-13 UNC Hex Nyloc Nut | 1 |
| 17 | R08046 | 1/2-13 UNC Jam Nut | 3 |

DRAIN PLUG KIT 364-62-00-000



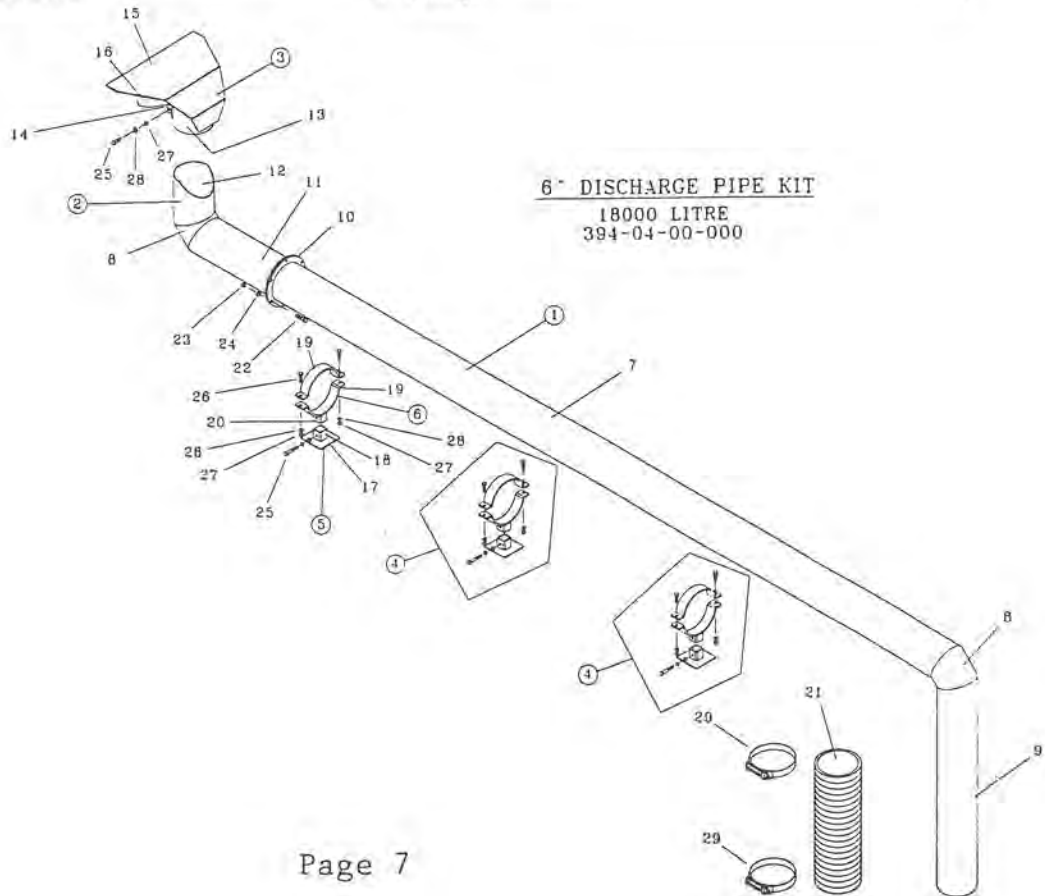
SIGHT GAUGE KIT

| <u>Keys</u> | <u>Parts Number</u> | <u>Description</u> | <u>Qty</u> |
|-------------|---------------------|-------------------------------------|------------|
| 1 | 330-20-01-000 | Float Arm Assy | 1 |
| 2 | 330-20-02-000 | Indicator Arm Assy | 1 |
| 3 | 330-20-03-000 | Access Tube Assy. | 1 |
| 4 | 330-20-04-000 | Cover Plate Assy | 1 |
| 5 | 330-20-01-551 | Float Arm | 1 |
| 6 | 330-20-01-552 | Float Straps | 2 |
| 7 | 330-93-00-375 | Float | 1 |
| 8 | 330-20-04-562 | Bronze Bearing Holder | 1 |
| 9 | 330-20-02-553 | Indicator Arm Hub | 1 |
| 10 | 330-20-02-554 | Indicator Arm | 1 |
| 11 | 330-20-03-556 | Access Tube | 1 |
| 12 | 330-20-03-560 | Access Tube Flange | 1 |
| 13 | 330-20-00-557 | Cover Plate | 1 |
| 14 | R20865 | 1/2 x 5/8 x 1/16" O Ring | 1 |
| 15 | R09529 | "Full" Decal | 1 |
| 16 | R09530 | "Empty" Decal | 1 |
| 17 | R07974 | External Retaining Ring | 2 |
| 18 | R21173 | 1/2 x 5/8 x 1/2" Bronze Bushing | 3 |
| 19 | R08241 | 3/16 x 1 Stainless Steel Roll Pin | 1 |
| 20 | R07675 | 3/8 x 1 1/4" Hex Bolt | 6 |
| 21 | R07783 | 3/8" Hex Nut | 6 |
| 22 | R07803 | 3/8" Lock Washer | 6 |
| 23 | R08021 | 1/8 x 1" Stainless Steel Cotter Pin | 1 |



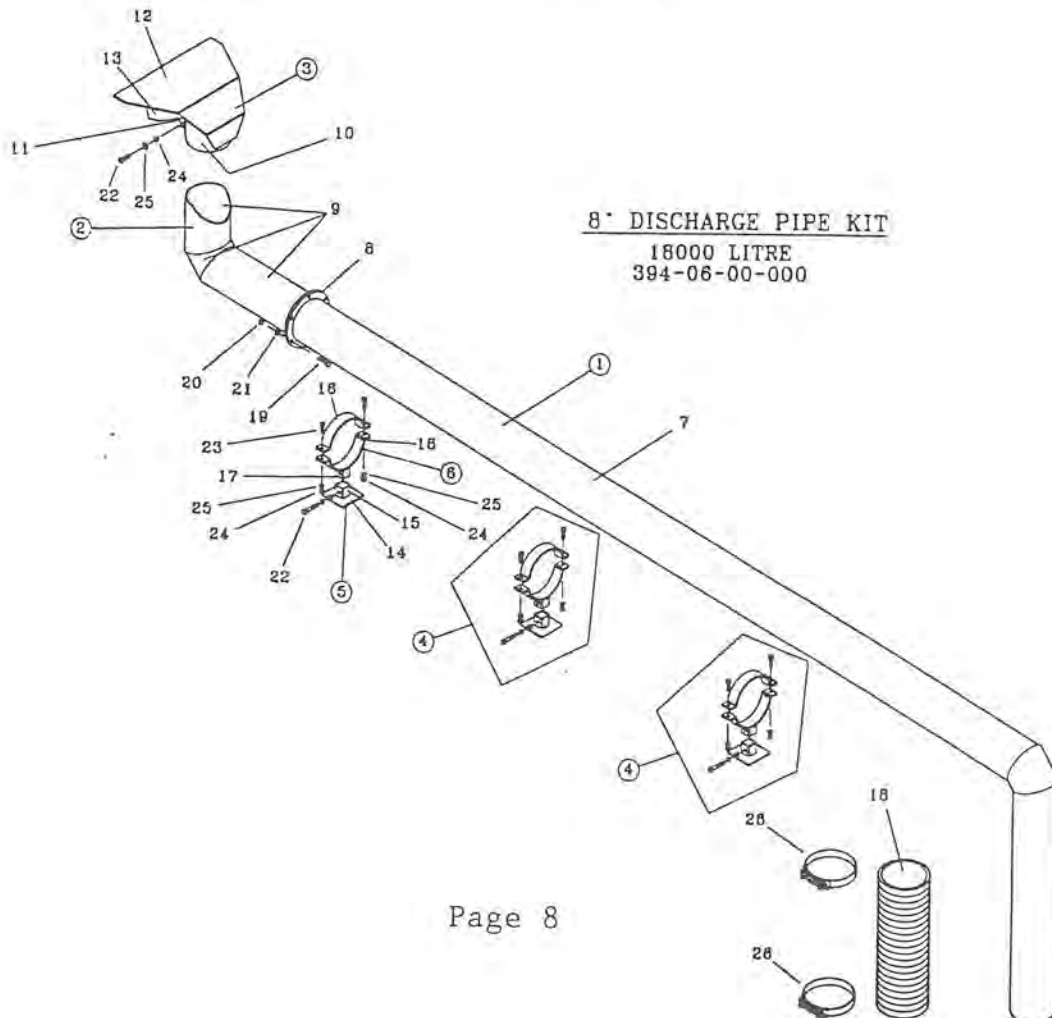
6" DISCHARGE PIPE ASSEMBLY

| <u>Keys</u> | <u>Parts Number</u> | <u>Description</u> | <u>Qty</u> |
|-------------|---------------------|------------------------------|------------|
| 1 | 394-04-01-000 | Discharge Pipe Assy - 18000L | 1 |
| 2 | 364-25-00-000 | Discharge Pipe End Section | 1 |
| 3 | 364-68-00-000 | Splash Plate Assy. | 1 |
| 4 | 357-16-00-000 | 6" Discharge Pipe & Holder | 3 |
| 5 | 357-16-01-000 | Base Holder Assy. | 3 |
| 6 | 357-16-02-000 | Pipe Holder Assy | 3 |
| 7 | 394-04-01-031 | 18000L Discharge Pipe - 6" | 1 |
| 8 | 364-19-00-082 | Discharge Pipe Corner Piece | 2 |
| 9 | 394-04-01-032 | Vertical Discharge Pipe | 1 |
| 10 | 364-19-00-087 | Flange | 2 |
| 11 | 364-25-00-088 | Discharge Pipe Flange Piece | 1 |
| 12 | 364-25-00-067 | Discharge Pipe End Piece | 1 |
| 13 | 364-68-00-215 | Clamping Tube | 1 |
| 14 | 364-21-00-071 | Clamping Tube Bracket | 2 |
| 15 | 364-21-00-069 | Splash Plate | 1 |
| 16 | 364-21-00-224 | Splash Plate Wing | 2 |
| 17 | 357-16-01-130 | Base Plate | 3 |
| 18 | 357-16-01-131 | Stub | 3 |
| 19 | 357-16-00-133 | Pipe Holder - 6" | 6 |
| 20 | 357-16-02-137 | Upper Stub | 3 |
| 21 | 364-00-00-066 | Flex Hose | 1 |
| 22 | R07671 | 7/16 x 1 1/4 Hex Bolt | 6 |
| 23 | R07784 | 7/16 Hex Nut | 6 |
| 24 | R07804 | 7/16 Lock Washer | 6 |
| 25 | R07622 | 3/8 x 2 1/2 Hex Bolt | 4 |
| 26 | R07620 | 3/8 x 1 1/2 Hex Bolt | 6 |
| 27 | R07783 | 3/8 Hex Nuts | 10 |
| 28 | R07803 | 3/8" Lock Washer | 10 |
| 29 | R02482 | 6" Clamps | 2 |



8" DISCHARGE PIPE ASSEMBLY

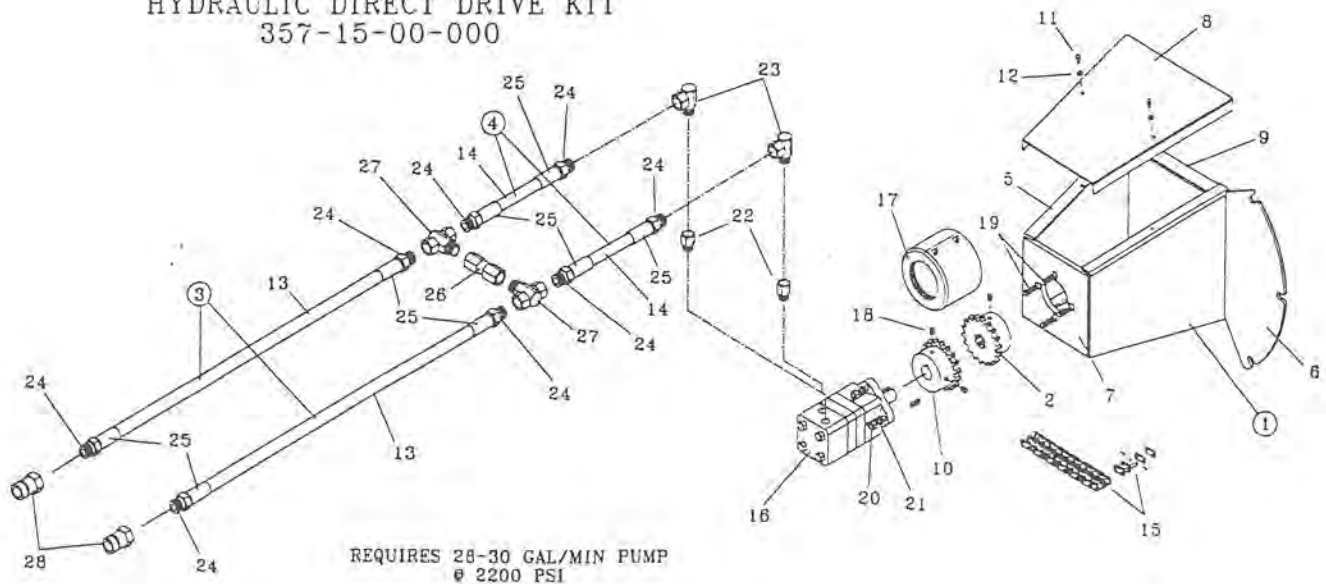
| <u>Keys</u> | <u>Parts Number</u> | <u>Description</u> | <u>Qty</u> |
|-------------|---------------------|---------------------------------|------------|
| 1 | 394-06-01-000 | 8" Discharge Pipe Assy - 18000L | 1 |
| 2 | 358-92-03-000 | 8" Discharge Pipe End Section | 1 |
| 3 | 358-92-04-000 | 8" Splash Plate Assy | 1 |
| 4 | 357-17-00-000 | 8" Discharge Pipe & Holder | 3 |
| 5 | 357-16-01-000 | Base Holder Assy | 3 |
| 6 | 357-17-01-000 | Pipe Holder Assy | 3 |
| 7 | 394-06-01-054 | 18000L Discharge Pipe - 8" | 1 |
| 8 | 358-92-02-306 | Flange | 2 |
| 9 | 358-92-03-307 | 8" Extension Pipe | 1 |
| 10 | 358-92-04-309 | Clamping Tube | 1 |
| 11 | 358-92-04-311 | Clamping Tube Bracket | 2 |
| 12 | 358-92-04-308 | Splash Plate | 1 |
| 13 | 358-92-04-310 | Splash Plate Wing | 2 |
| 14 | 357-16-01-130 | Base Plate | 3 |
| 15 | 357-16-01-131 | Stub | 3 |
| 16 | 357-17-00-135 | Pipe Holder - 8" | 6 |
| 17 | 357-16-02-137 | Upper Stub | 3 |
| 18 | 358-92-00-329 | Flex Hose | 1 |
| 19 | R07671 | 7/16 x 1 1/4 Hex Bolt | 6 |
| 20 | R07784 | 7/16 Hex Nut | 6 |
| 21 | R07804 | 7/16 Lock Washer | 6 |
| 22 | R07622 | 3/8 x 2 1/2 Hex Bolt | 4 |
| 23 | R07620 | 3/8 x 1 1/2 Hex Bolt | 6 |
| 24 | R07783 | 3/8 Hex Nuts | 10 |
| 25 | R07803 | 3/8" Lock Washer | 10 |
| 26 | R02484 | 8" Clamps | 2 |



DIRECT HYDRAULIC DRIVE KIT 357-15-00-000

| <u>Keys</u> | <u>Parts Number</u> | <u>Description</u> | <u>Qty</u> |
|-------------|---------------------|-----------------------------------|------------|
| 1 | 384-02-01-000 | Direct Drive Mount Plate Assembly | 1 |
| 2 | 384-02-00-072 | #60-18 Sprocket w/6 T Spline | 1 |
| 3 | 364-48-24-000 | Hydraulic Hose Assembly | 2 |
| 4 | 364-48-32-000 | Hydraulic Hose Assembly | 2 |
| 5 | 384-02-01-002 | RH Extension Plate | 1 |
| 6 | 384-02-01-003 | LH Extension Plate | 1 |
| 7 | 384-02-01-004 | Motor Mount Plate | 1 |
| 8 | 384-02-00-005 | Guard | 1 |
| 9 | 384-02-01-012 | Reinforcing Strap | 2 |
| 10 | 384-02-00-007 | 60-18 Sprocket for Hyd. Motor | 1 |
| 11 | R07698 | 1/4" x 1/2" Hex Bolt | 2 |
| 12 | R07801 | 1/4" Lock Washer | 2 |
| 13 | 364-48-24-163 | 3/4" Hydraulic Hose | 2 |
| 14 | 364-48-32-187 | 3/4" Hydraulic Hose | 2 |
| 15 | R20883 | #60 Coupling Chain w/Conn. Link | 1 |
| 16 | R21422 | MS160 Hydraulic Motor w/Key | 1 |
| 17 | R20617 | #60-18 Coupling Cover | 1 |
| 18 | R07911 | 3/8 x 3/4 Set Screw | 4 |
| 19 | R07744 | 1/2 x 2 Carriage Bolt | 4 |
| 20 | R07785 | 1/2" Hex Nut | 4 |
| 21 | R07805 | 1/2" Lock Washer | 4 |
| 22 | R20815 | 7/8 SAE 3/4" NPT Straight Swivel | 2 |
| 23 | R21332 | 3/4" NPT 90 Deg. Swivel Adaptor | 2 |
| 24 | R21241 | 3/4" Male Stem | 8 |
| 25 | R20824 | 3/4" Ferrule | 8 |
| 26 | R21202 | 3/4" NPT In Line Check Valve | 1 |
| 27 | R21393 | 3/4" NPT Hydraulic Swivel Tee | 2 |
| 28 | R21338 | 3/4" Pioneer Fitting | 2 |

HYDRAULIC DIRECT DRIVE KIT
357-15-00-000

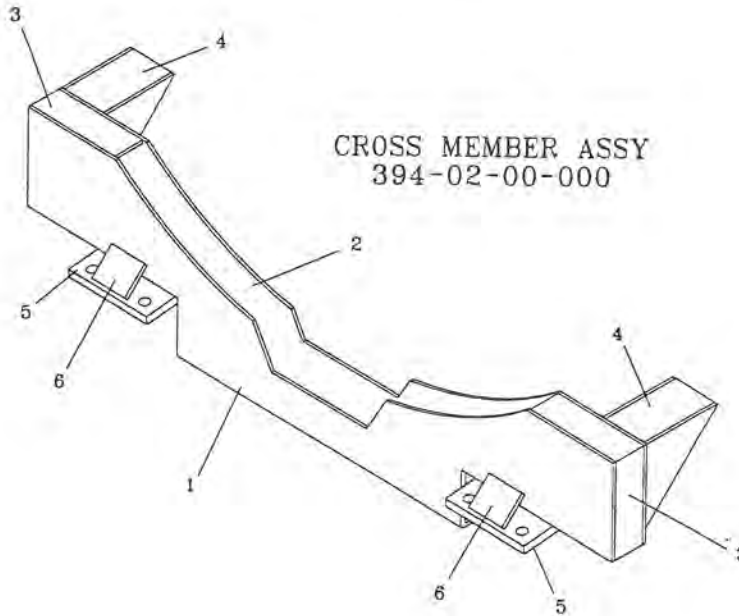


AXLE

| <u>Keys</u> | <u>Parts Number</u> | <u>Description</u> | <u>Qty</u> |
|-------------|---------------------|---------------------------------|------------|
| 1 | 394-01-01-000 | Base Frame Assembly | 1 |
| 2 | 358-09-02-000 | Outer Sleeve Assembly | 2 |
| 3 | 394-01-11-000 | Centre Sleeve Assembly | 1 |
| 4 | 330-69-01-000 | Sill "Z" Plate Assembly | 2 |
| 5 | 394-01-03-000 | LH Walking Beam Assembly | 1 |
| 6 | 394-01-04-000 | RH Walking Beam Assembly | 1 |
| 7 | 394-01-07-000 | Main Axle Tube Assembly | 1 |
| 8 | 394-01-08-000 | LH Tandem Side Assembly | 1 |
| 9 | 394-01-09-000 | RH Tandem Side Assembly | 1 |
| 10 | 394-01-10-000 | Axle "A" Frame Assembly | 2 |
| 11 | 358-11-00-000 | 16000lb Ductile Hub - 10 Bolt | 4 |
| 12 | 394-01-01-001 | Cross Axle Support Tube | 1 |
| 13 | 394-01-01-002 | Cross Axle Extension Tube | 2 |
| 14 | 394-01-01-003 | Extension Tube Cap | 2 |
| 15 | 394-01-01-004 | Hanger Bracket | 2 |
| 16 | 394-01-01-005 | Hanger Tube | 2 |
| 17 | 394-01-02-006 | Centre Sleeve Tube | 1 |
| 18 | 394-01-11-015 | Short Channel | 1 |
| 19 | 358-03-00-375 | Reinforcing "U" Piece | 1 |
| 20 | 340-07-08-322 | Stationary Sleeve | 2 |
| 21 | 340-07-08-323 | Outer Sleeve Holder | 2 |
| 22 | 358-85-00-253 | Sill "Z" Plate | 2 |
| 23 | 330-69-00-550 | Gusset | 4 |
| 24 | 394-01-01-034 | Double Gusset | 4 |
| 25 | 340-07-00-329 | End Cap | 2 |
| 26 | 394-01-03-008 | Walking Beam | 2 |
| 27 | 394-01-03-009 | LH Stub Beam | 2 |
| 28 | 394-01-03-010 | RH Stub Beam | 2 |
| 29 | 394-01-03-011 | Stub Beam End Cap | 4 |
| 30 | 394-01-03-012 | Walker Sleeve | 2 |
| 31 | 394-01-03-013 | Spindle Sleeve Gusset | 8 |
| 32 | 394-01-03-051 | Rocker Sleeve Reinforcing Plate | 4 |
| 33 | 358-83-01-230 | Spindle Sleeve | 4 |
| 34 | 394-01-08-040 | LH Rear Outer Gusset | 1 |
| 35 | 394-01-08-041 | Rear Inner Gusset | 2 |
| 36 | 394-01-10-042 | Gusset | 4 |
| 37 | 394-01-10-043 | Tandem Arm Gusset Rear | 2 |
| 38 | 394-01-10-044 | Tandem Arm Gusset Front | 2 |
| 39 | 394-01-08-045 | Rear Tie Plate | 2 |
| 40 | 394-01-08-046 | Front Tie Plate | 2 |
| 41 | 394-01-08-047 | Rear Cap | 2 |
| 42 | 394-01-08-048 | LH Front Outer Gusset | 1 |
| 43 | 394-01-08-049 | Front Inner Gusset | 2 |
| 44 | 394-01-08-050 | Front Cap | 2 |
| 45 | 394-01-09-052 | RH Rear Outer Gusset | 1 |
| 46 | 394-01-09-053 | RH Front Outer Gusset | 1 |
| 47 | 394-01-10-018 | Connector Tube | 2 |
| 48 | 394-01-10-038 | Rear Tandem Arm | 2 |
| 49 | 394-01-10-039 | Front Tandem Arm | 2 |
| 50 | 394-01-07-026 | Main Axle Tube | 1 |
| 51 | 340-63-00-538 | Stop Ring | 1 |
| 52 | 340-00-00-346 | Retaining Ring | 1 |

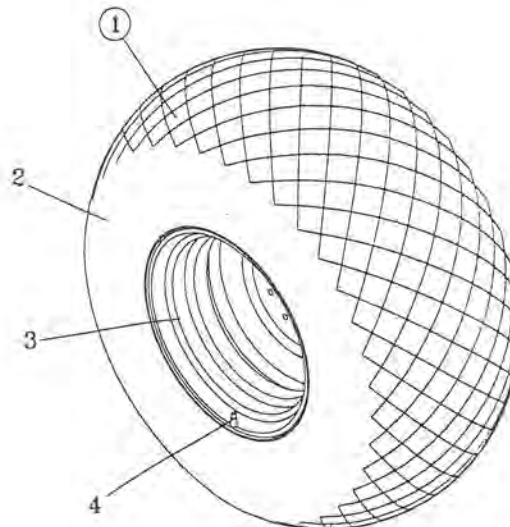
CROSS MEMEBER

| <u>Keys</u> | <u>Parts Number</u> | <u>Description</u> | <u>Qty</u> |
|-------------|---------------------|---------------------|------------|
| 1 | 394-02-00-035 | Front Corss Member | 1 |
| 2 | 394-02-00-036 | Back Cross Member | 1 |
| 3 | 394-02-00-037 | Cross Member Cap | 2 |
| 4 | 340-07-00-330 | Gusset | 2 |
| 5 | 358-45-00-148 | Tongue Strap | 2 |
| 6 | 364-02-17-123 | Tongue Strap Gusset | 2 |



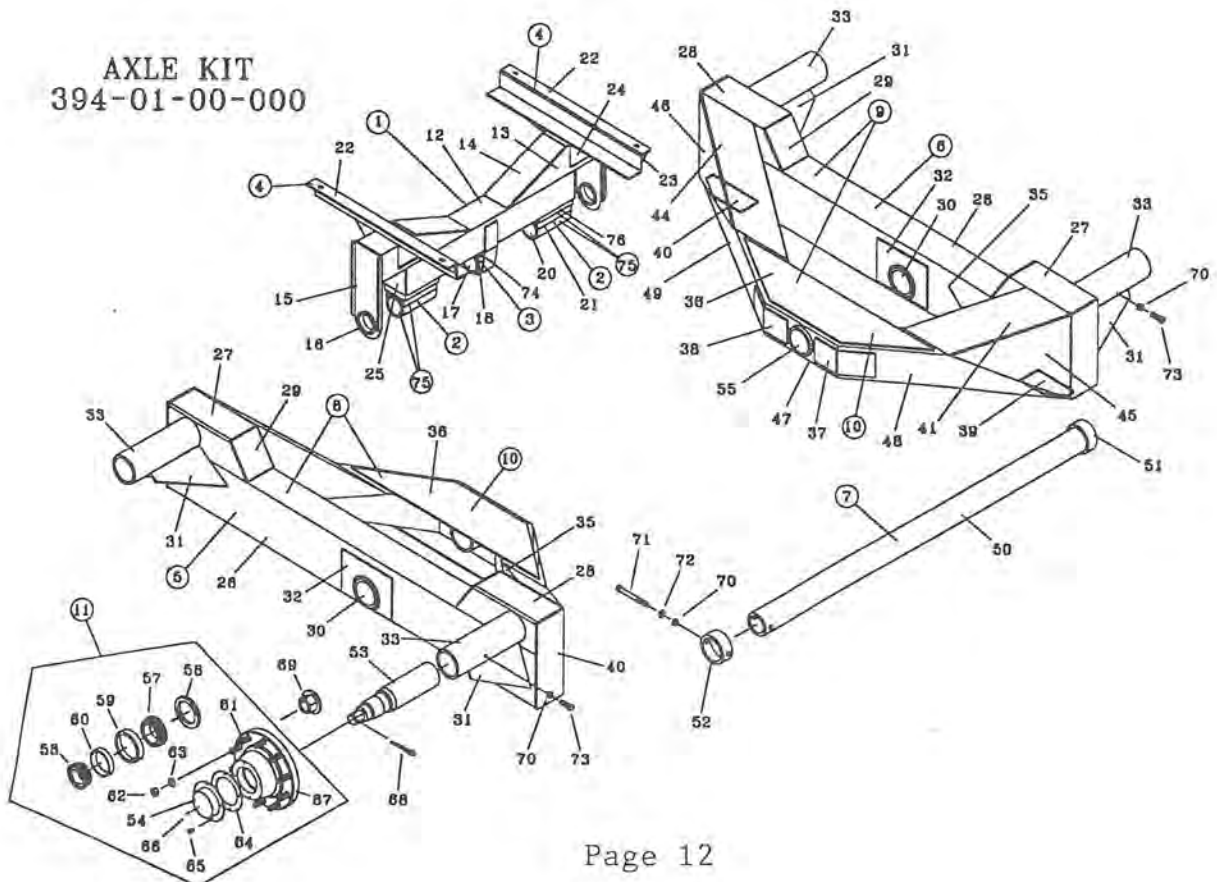
TIRE AND WHEEL

| <u>Keys</u> | <u>Parts Number</u> | <u>Description</u> | <u>Qty</u> |
|-------------|---------------------|-----------------------------------|------------|
| 1 | 330-04-00-000 | 28L x 26 Tire and Wheel Assembly | 4 |
| 2 | R20015 | 28L x 26 Tire | 4 |
| 3 | R20040 | 25 x 26 x 10 Bolt Wheel - 11.25BC | 4 |
| 4 | R20161 | Valve Stem | 4 |

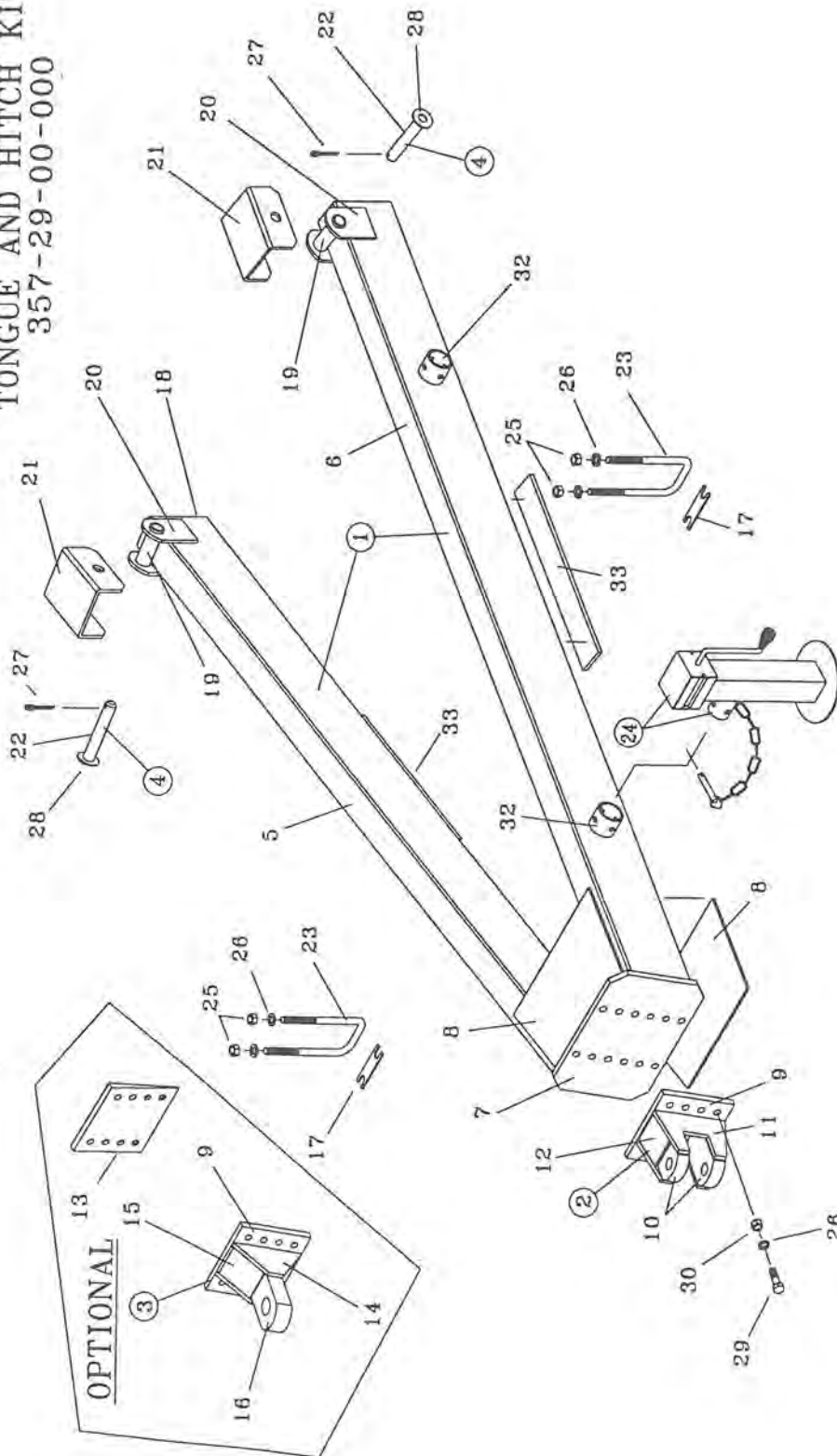


AXLE CONTINUED

| <u>Keys</u> | <u>Parts Number</u> | <u>Description</u> | <u>Qty</u> |
|-------------|---------------------|-----------------------------------|------------|
| 53 | 340-00-00-347 | Spindle | 4 |
| 54 | 340-43-00-554 | Dust Cap | 4 |
| 55 | 358-83-01-235 | Walker Sleeve | 2 |
| 56 | R20083 | Seal CR-38730 | 4 |
| 57 | R20086 | Inner Cone 476871 | 4 |
| 58 | R20087 | Outer Cone 39585 | 4 |
| 59 | R20088 | Inner Cup 47620 | 4 |
| 60 | R20089 | Outer Cup 39520 | 4 |
| 61 | R20096 | Wheel Bolts 3/4 - 16 UNF | 40 |
| 62 | R07820 | 3/4 - 16 UNF Fedalloy Hex Nut | 40 |
| 63 | R07834 | 3/4" Fedalloy Flat Washer | 40 |
| | R20152 | 3/4" Spherical Radius Washer | * |
| 64 | R20084 | Dust Cap Gasket | 4 |
| 65 | R07690 | Dust Cap Bolt 5/16 x 5/8 | 16 |
| 66 | R08183 | 1/4 - 28 UNF Grease Fitting | 43 |
| 67 | R22049 | 16000lb - 10 Bolt Ductile Hub | 4 |
| 68 | R20095 | Cotter Pin | 4 |
| 69 | R20094 | Spindle Flange Nut 1 3/4 - 12 UNF | 4 |
| 70 | R07786 | 5/8 Hex Nut | 9 |
| 71 | R07653 | 5/8 x 6" Hex Bolt | 1 |
| 72 | R07806 | 5/8 Lock Washer | 1 |
| 73 | R07927 | 5/8 x 1 1/2 Square Head Set Screw | 8 |
| 74 | 394-01-11-016 | Spacer Bar | 1 |
| 75 | 340-07-08-000 | Stationary Sleeve Assy | 1 |
| 76 | 358-85-00-251 | Spacer Bar | 2 |



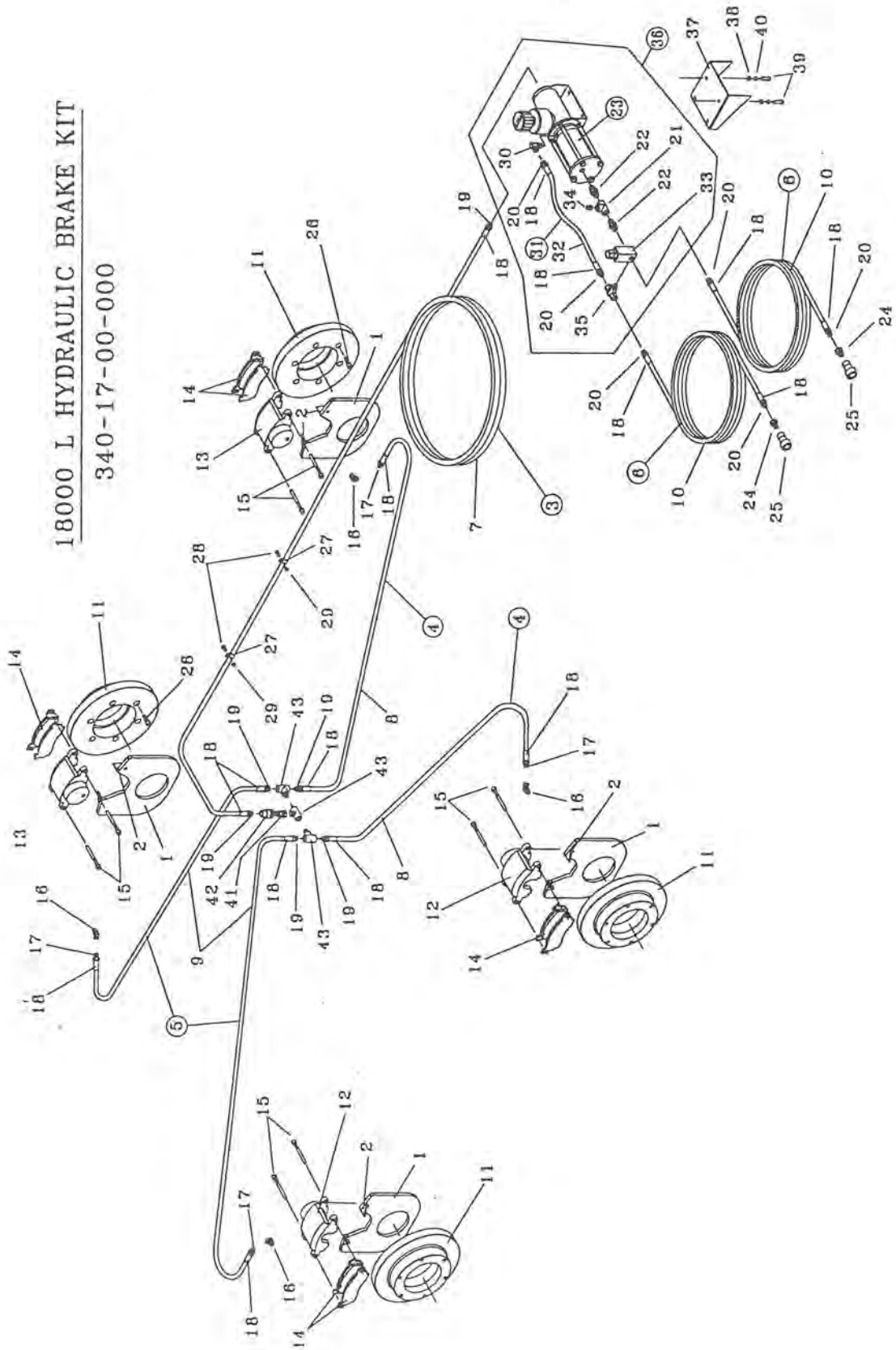
TONGUE AND HITCH KIT
357-29-00-000



TONGUE AND HITCH

| <u>Keys</u> | <u>Parts Number</u> | <u>Description</u> | <u>Qty</u> |
|-------------|---------------------|--|------------|
| 1 | 357-27-00-000 | Tongue Assembly | 1 |
| 2 | 358-43-00-000 | Standard Hitch Assembly | 1 |
| 3 | 358-44-00-000 | Single Point Hitch Assembly | * |
| 4 | 315-39-00-000 | Lock Pin Assembly | 2 |
| 5 | 357-27-00-165 | RH Tongue Tube | 1 |
| 6 | 357-27-00-164 | LH Tongue Tube | 1 |
| 7 | 358-42-00-137 | Hitch Bolt Plate | 1 |
| 8 | 357-27-00-166 | Tongue Tube Gusset | 2 |
| 9 | 358-43-00-139 | Hitch Back Plate | 1 |
| 10 | 358-43-00-140 | Hitch Plate | 2 |
| 11 | 358-43-00-141 | Hitch Side Gusset | 2 |
| 12 | 358-43-00-142 | Hitch Upper Gusset | 2 |
| 13 | 358-00-00-143 | Wedge Plate (Used w/Straight Axle) | * |
| 14 | 358-44-00-144 | Side Gusset | 2 |
| 15 | 358-44-00-145 | Top Gusset | 2 |
| 16 | 364-26-00-091 | Single Point Hitch | 1 |
| 17 | 364-00-00-131 | "U" Bolt Spacer | 2 |
| 18 | 315-36-00-147 | Tongue Tube End Cap | 2 |
| 19 | 315-36-00-145 | Bushings | 2 |
| 20 | 315-36-00-146 | Side Piece | 4 |
| 21 | 394-03-00-014 | Tongue "U" Piece | 2 |
| 22 | 315-39-00-155 | Lock Pin | 2 |
| 23 | R08172 | 3/4 NF x 10" "U" Bolt | 2 |
| 24 | 357-14-00-000 | 8000LB Side Wind Jack | 1 |
| 25 | R07820 | 3/4" NF Hex Nut | 4 |
| 26 | R07807 | 3/4" Lock Washer | 12 |
| 27 | R08016 | 1/4 x 2 Cotter Pin | 2 |
| 28 | R07830 | 1 1/4" Flat Washer | 2 |
| 29 | R07655 | 3/4 x 2 1/2 Hex Bolt | 8 |
| 30 | R07787 | 3/4" UNC Hex Nut | 8 |
| 31 | 357-00-00-129 | Reinforcing Plate - 23000L and Larger | 2 |
| 32 | 364-35-00-245 | Tongue Jack Storage Bracket | 2 |
| 33 | 357-00-00-129 | Reinforcing Plate 23000L & 28000L Only | |

18000 L HYDRAULIC BRAKE KIT
340-17-00-000



HYDRAULIC BRAKE KIT

| <u>Keys</u> | <u>Parts Number</u> | <u>Description</u> | <u>Qty</u> |
|-------------|---------------------|---|------------|
| 1 | 340-08-10-332 | Caliper Mounting Plate | 4 |
| 2 | 340-08-10-334 | Caliper Mounting Support | 8 |
| 3 | 340-17-38-000 | Hyd. Brake Hose Assy. - Main Line | 1 |
| 4 | 340-17-13-000 | Hyd. Brake Hose Assy. - Front 18 x 22.5 | 2 |
| | 340-17-15-000 | Hyd. Brake Hose Assy. - Front 28L x 26 | * |
| 5 | 340-17-14-000 | Hyd. Brake Hose Assy. - Rear 18 x 22.5 | 2 |
| | 340-17-16-000 | Hyd. Brake Hose Assy. - Rear 28L x 26 | * |
| 6 | 340-17-39-000 | Hyd. Hose Assy. | 2 |
| 7 | 340-17-38-544 | Hyd. Hose - Main Line | 1 |
| 8 | 340-17-13-368 | Hyd. Hose - Front 18 x 22.5 | 2 |
| | 340-17-15-390 | Hyd. Hose - Front 28L x 26 | * |
| 9 | 340-17-14-369 | Hyd. Hose - Rear 18 x 22.5 | 2 |
| | 340-17-16-391 | Hyd. Hose - Rear 28L x 26 | * |
| 10 | 340-17-39-545 | Hyd. Hose | 2 |
| 11 | R20098 | Cast Disc Brakes | 4 |
| 12 | R21065 | R.H. Brake Caliper TC500 | 2 |
| 13 | R21066 | L.H. Brake Caliper TC501 | 2 |
| 14 | R21067 | Brake Pads (Pair) | 4 |
| 15 | R21070 | Guide Pins | 8 |
| 16 | R21308 | 45 Deg. 7/16 SAE x 1/4 NPT Adaptor | 4 |
| 17 | R20802 | 1/4-18 NPT Solid Male Stem | 4 |
| 18 | R21231 | Steel Ferrule (1/4" Hose) | 16 |
| 19 | R20806 | 3/8-18 NPT Swivel Male Stem | 6 |
| 20 | R20803 | 3/8-18 NPT Solid Male Stem | 6 |
| 21 | R21400 | 3/8 Pipe Tee | 1 |
| 22 | R21399 | 3/8 Hyd Nipple | 2 |
| 23 | 312-06-00-000 | Master Cylinder Kit | 1 |
| 24 | R02043 | 1/2 x 3/8 Bushing | 2 |
| 25 | R21342 | Pioneer Coupler | 2 |
| 26 | R07871 | 1/2-20 x 3 Socket Hd. Cap Screw | 24 |
| 27 | R21104 | Hyd. Hose Clips | 12 |
| 28 | R07698 | 1/4 x 1/2 hex Bolt | 12 |
| 29 | R07781 | 1/4 hex Nut | 12 |
| 30 | R21334 | 1/4M x 3/8 F x 90 Deg. Swivel Adaptor | 1 |
| 31 | 312-06-05-000 | Hydraulic Hose Assy. | 1 |
| 32 | 312-06-05-048 | Hydraulic Hose | 1 |
| 33 | R21201 | Relief Valve | 1 |
| 34 | R02151 | 3/8 Pipe Plug | 1 |
| 35 | R21391 | 3/8 NPT Swivel Tee Adaptor | 1 |
| 36 | 312-09-00-000 | Master Cylinder With Relief & Hose | 1 |
| 37 | 312-06-00-047 | Tongue Brkt | 1 |
| 38 | R07788 | 3/8-16 UNC Hex Nut | 4 |
| 39 | R07620 | 3/8-16 UNC x 1 1/2 Hex Bolt | 4 |
| 40 | R07803 | 3/8 Lock Washer | 4 |
| 41 | R21337 | 3/8 Female Pioneer End | 1 |
| 42 | R21339 | 3/8 Male Pioneer End | 1 |
| 43 | R22111 | 3/8 Tee - Female To Male | 3 |

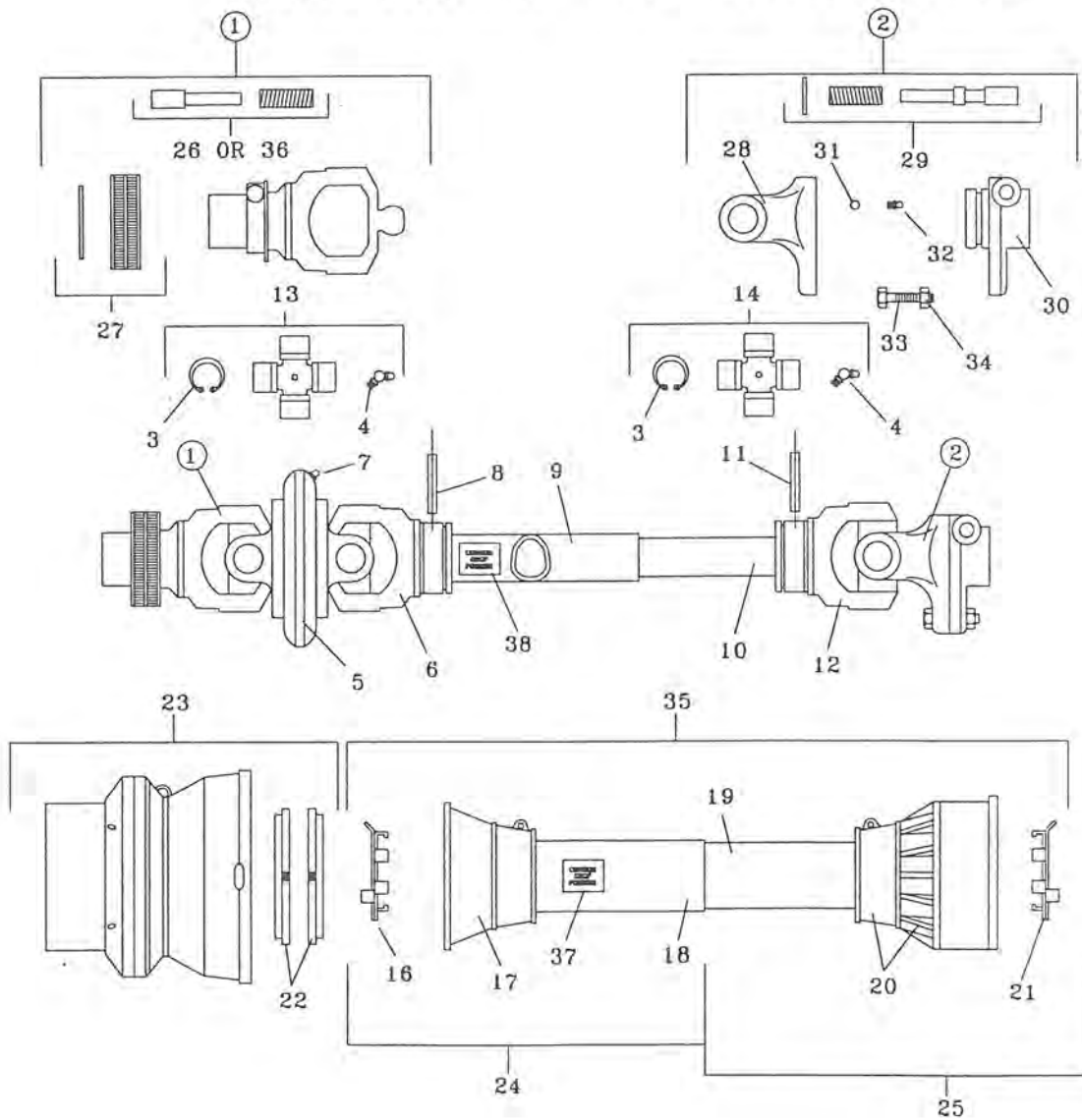
BONDIOLI AND PAVESI PTO

C/W 80° CV JOINT

R21582-540 RPM 1 3/8" 6 TOOTH SPLINE

R21583-1000 RPM 1 3/8" 21 TOOTH SPLINE

R21584-1000 RPM 1 3/4" 20 TOOTH SPLINE



80 DEG. BONDIOLI AND PAVESI CV PTO - FOR LONG TONGUE

R21582 540 RPM 6 TOOTH

R21583 1000 RPM 21 TOOTH

R21584 1000 RPM 20 TOOTH

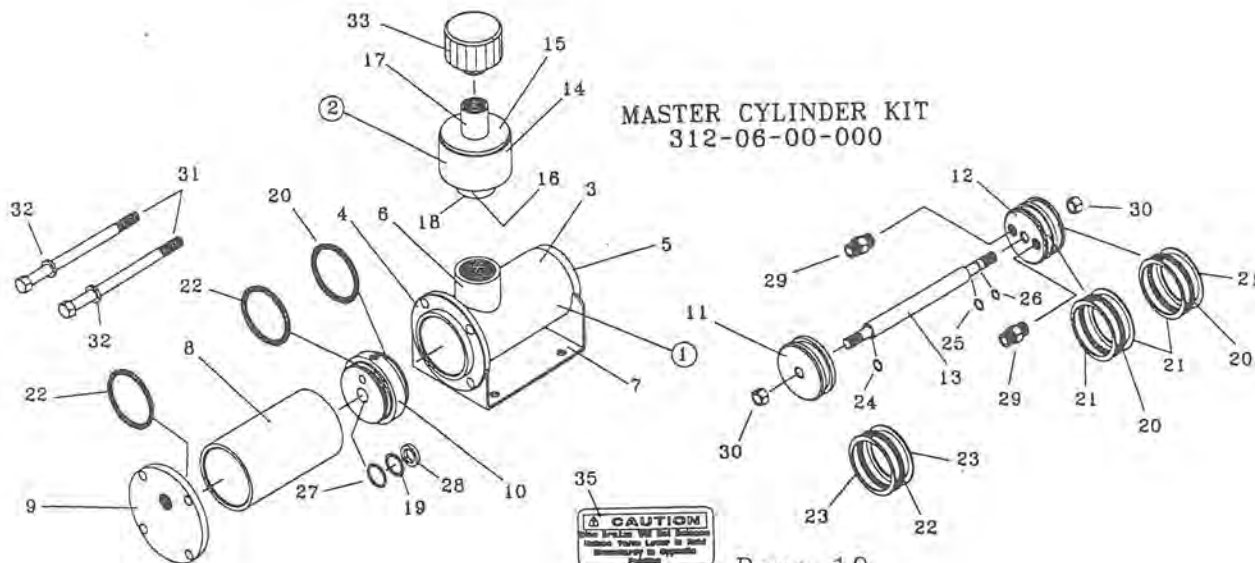
| <u>Keys</u> | <u>Mfg #</u> | <u>Part #</u> | <u>Description</u> | <u>Qty</u> |
|-------------|--------------|---------------|--------------------------------------|------------|
| 1 | 573043875 | R21712 | 1 3/4" - 20 T Yoke | 1 |
| | 573040375 | R21681 | Yoke w/ Bridge 540 RPM 1 3/8 - 6 T | 1 |
| | 573043775 | R21680 | Yoke w/ Bridge 1000 RPM 1 3/8 - 21 T | |
| 2 | 606404001 | R21473 | Torque Lim SB 4/4 | 1* |
| 3 | 338009000 | R21613 | Circlip | 8 |
| 4 | 348004000 | R21655 | Grease Nipple | 3 |
| 5 | 511040051 | R21685 | Central Body | 1 |
| 6 | 215046854 | R21686 | Yoke | 1 |
| 7 | 348017000 | R21687 | Grease Nipple | 1 |
| 8 | 341038000 | R21475 | Flexible Pin | 1* |
| 9 | 225311060 | R22177 | Cardan Tube | 1 |
| 10 | 245101060 | R22176 | Cardan Tube CM | 1 |
| 11 | 341048000 | R21476 | Flexible Pin | 1* |
| 12 | 204046852 | R21472 | Inner Tube Yoke | 1* |
| 13 | 412040012 | R21682 | Cross Journal Assy | 2 |
| 14 | 41204 | R21693 | Cross Journal Assy | 1 |
| 15 | 338017000 | R21694 | Circlip | 4 |
| 16 | 255040005 | R21696 | O. Bearing 3-4 | 1* |
| 17 | 254040024 | R21697 | O. Basic Cones N3-4 | 1 |
| 18 | 236681007 | R22179 | CM Safety Tube L=1007 | 1 |
| 19 | 236671007 | R22178 | CM Safety Tube L=1007 | 1 |
| 20 | 517040061 | R21700 | I. Cone Set N3-4 | 1 |
| 21 | 255040006 | R21701 | I. Bearing 3-4 | 1* |
| 22 | 255040351 | R21702 | Ring Nut Dowels | 2 |
| 23 | 517048001 | R21703 | Complete Shell | 1 |
| 24 | 5FE4121E1654 | R22181 | Half Safety Guard | 1 |
| 25 | 5F14121FF | R22181 | Half Safety Guard | 1 |
| 26 | 403000001 | R21669 | Complete Push Button | 1~ |
| 27 | 240080061 | R21670 | Hub | 1~ |
| | 240040061 | R21708 | Hub for 1 3/4" 20T | * |
| 28 | 213040020 | R21704 | Shear Yoke | 1 |
| 29 | 401000001 | R21451 | Complete Push Button | 1~* |
| 30 | 513070324 | R21706 | Hub c/w Quick Disconnect | 1 |
| 31 | 362002000 | R21705 | 1/4" Ball | 23 |
| 32 | 348012000 | R21672 | Grease Nipple | 1 |
| 33 | 432000047 | R08251 | M8 1.25 x 45 Bolt | 1 |
| 34 | | R08252 | M8 1.25 x Lock Nut | 1 |
| 35 | 5F04121E1654 | R22182 | Safety Guard | 1 |
| 36 | 403000011 | R21735 | Push Pin for 1 3/4 - 20 T Turnlock | |
| 37 | | R21521 | "Warning" Decal | 1 |
| 38 | | R21523 | "Shield Missing" Decal | 1 |

* Same as 70 Deg. CV. PTO

~ Same as K31

MASTER CYLINDER

| <u>Keys</u> | <u>Parts Number</u> | <u>Description</u> | <u>Qty</u> |
|-------------|---------------------|-----------------------------------|------------|
| 1 | 312-06-02-000 | Master Cylinder Tube Assembly | 1 |
| 2 | 312-06-03-000 | Reservoir Assy | 1 |
| 3 | 312-06-02-030 | Master Cylinder Tube | 1 |
| 4 | 312-06-02-031 | Master Cylinder Flange | 1 |
| 5 | 312-06-02-032 | Master Cylinder End Cap | 1 |
| 6 | 312-06-02-033 | Coupler | 1 |
| 7 | 312-06-02-034 | Mount Plate | 1 |
| 8 | 312-06-00-035 | Hydraulic Cylinder Tube | 1 |
| 9 | 312-06-00-036 | Hydraulic Cylinder End Cap | 1 |
| 10 | 312-06-00-037 | Cylinder Divider Block | 1 |
| 11 | 312-06-00-038 | Hydraulic Plunger | 1 |
| 12 | 312-06-00-039 | Master Cylinder Plunger | 1 |
| 13 | 312-06-00-040 | Shaft | 1 |
| 14 | 312-06-03-041 | Reservoir Tube | 1 |
| 15 | 312-06-03-042 | Reservoir Top Plate | 1 |
| 16 | 312-06-03-043 | Reservoir Bottom Plate | 1 |
| 17 | 312-06-03-045 | Reservoir Coupling | 1 |
| 18 | 312-06-03-046 | Reservoir Nipple | 1 |
| 19 | R20874 | 3/4" Back Up Teflon | 1 |
| 20 | R20868 | EP ORing #334 (2 5/8 x 3 x 3/16) | 3 |
| 21 | R20873 | Back Ups Teflon #334 | 4 |
| 22 | R20836 | O Ring #11-334 (2 5/8 x 3 x 3/16) | 3 |
| 23 | R20837 | Back Ups #8-334 | 2 |
| 24 | R20865 | O Ring #11-014 (1/2 x 5/8 x 1/16) | 1 |
| 25 | R20870 | EP Oring 014 (1/2 x 5/8 x 1/16) | 1 |
| 26 | R20869 | EP Oring 012 (3/8 x 1/2 x 1/16) | 1 |
| 27 | R20871 | EP Oring 210 (3/4 x 1 x 1/8) | 1 |
| 28 | R20872 | 3/4" Hytrel Rod Wiper 52-750 | 1 |
| 29 | R21207 | 3/8 Check Valve | 2 |
| 30 | R07885 | 1/2"-13 UNC Lock Nut | 2 |
| 31 | R07679 | 1/2-13 UNC x 8 Hex Bolt | 4 |
| 32 | R07805 | 1/2 Lock Washer | 4 |
| 33 | R21103 | Filler Breather | 1 |
| 34 | 312-07-00-000 | O Ring Repair Kit | * |
| 35 | R09689 | "Caution" Decal | 1 |



HUSKY FARM EQUIPMENT LIMITED

ALMA, ON N0B 1A0

PHONE: (519) 846 - 5329

FAX: (519) 846 - 9378

5 YEAR AXLE WARRANTY

Husky Farm Equipment Limited will guarantee for 5 years from date of invoice, all Manure Spreader undercarriages and axle assemblies, if used on a farm for farm purposes.

Husky will replace free of charge:

1. Any part of the axle which should break or collapse through overload.
2. Any spindles or hub which should break.
3. Any wheel and rim assemblies which should fail.

Exempt from extended warranty are:

1. Bearings and tires which are covered under normal warranty and do require maintenance to avoid failure.
2. Spindles damaged through bearing failure.
3. Wheel or rim damage resulting from owner failing to keep wheel bolts tight.
4. 23000 Litre (6000 US Gal) is not covered because it is custom built.

To qualify for extended warranty, damaged parts must be returned to Husky Farm Equipment Limited, prepaid, along with serial number and copy of the original invoice.

All parts supplied by Husky on warranty, will be shipped freight collect. Extended warranty covers damaged parts only and does not cause liability on Husky for any damage resulting from such failure.

TEN YEAR WARRANTY AGAINST RUSTOUT

Husky Farm Equipment provides a 10 year warranty against premature perforation (rustout) of any liquid manure spreader manufactured later than Jan. 1987. Providing the manure spreader is used for manure or sludge and not for chemical products.

Extended warranty is pro rated and will be paid only through the crediting off of the then current list price of a replacement manure spreader that portion of the warranty not used up in time.

Warranty will be effective toward replacing spreader only and no cash payments will be made. It will be understood that the original equipment to be replaced will then become the property of Husky Farm Equipment.

This extended warranty will be effective through Husky Farm Equipment factory or factory outlet only, copy of the original invoice to be supplied along with the serial number. This warranty will not be effective for commercial custom haulers or to owners other than the original.

Transportation to and from the factory to be paid for by the owner of the equipment and not by Husky Farm Equipment.

