

Office Copy

05/05/2006

24me

Date Purchased \_\_\_\_\_ Machine Serial No. \_\_\_\_\_

Size of Spreader \_\_\_\_\_ Options \_\_\_\_\_

The key number system in this parts book is arranged as follows:

- ⊙ - Key numbers with two circles denotes main assemblies.
- - Key numbers with one circle are individual parts

Please order parts by number



**23000L SLIMLINE SPREADER • 395-00-00-000**

**OPERATING INSTRUCTIONS:**

1. Heed all warnings.
2. Minimum HP requirements to safely operate on level terrain, on hilly terrain HP should be increased.

4500L .....	70 HP
7000L .....	85 HP
9000L .....	95 HP
12000L .....	110 HP
14000L .....	130 HP
15000L .....	140 HP
18000L .....	160 HP
23000L .....	200 HP
28000L .....	250 HP

3. If machine is equipped with hydraulic brakes that are operated from the tractor hydraulics, they will not work should the tractor motor stop. Inspect brakes before each use. Brakes must be bled before initial use unless installed at factory. When releasing brakes the tractor hydraulic lever must be put in the opposing position to release pressure. Do not put in float position they will not release.
4. Tractor PTO spline must be approximately 14" (355mm) from end of compressed PTO for proper adjustment
5. Hitch tanker to tractor with minimum 1" (25mm) hardened hitch pin with a safety lock. Use 10,000 Lbs safety chain from spreader to tractor.
6. Do not use tongue stand to support loaded spreader. Put jack in storage position before using.
7. When hooking PTO to tractor make sure motor is stopped. Make sure QD (Quick Disconnect) safety locking pin is in locked position before using.
8. Clean off hose ends before plugging into tractor hydraulics. If spreader is equipped with hydraulic drive on spreading attachment, make sure tractor has sufficient oil flow and pressure to maintain satisfactory spread pattern, if not use another tractor.



**OPERATING INSTRUCTIONS continued:**

9. After using spreader in freezing conditions make sure impeller housing is drained.
10. Wash tank inside and out each time work is finished. This will increase the life of the tank by many years. See item 6 of Safety instructions
11. Do not drive on public roads after dusk unless equipped with lights required by Department of Transportation in your area.
12. Remove wheels annually and grease wheel bearings.
13. Because manure smells, many farmers have made unfriendly neighbours. If in a residential area a manure injector is a recommended option to bury the smell.
14. Much of the fertilizer value of manure is lost when exposed to air. Getting the manure covered quickly is a very important part of spreading manure.
15. If rustproof coating on interior shows signs of deterioration, have interior repainted. This can be done with a roller or brush. This helps to increase the life of your spreader. It is a valuable maintenance procedure.

**SAFETY INSTRUCTIONS:**

Do not operate this machine until you fully understand the safe operating practices.

1. Make sure all moving parts are shielded to prevent coming in contact with loose clothing.
2. Keep children clear; do not let children or any person(s) ride the spreader at anytime.
3. Do not support loaded spreader on tongue jack.
4. Keep tire pressure to recommended pressure at all times. Recommended tire pressure being:

		Lbs	KPA
40 x 14	Airplane Tires	55	379
44 x 16	Airplane Tires	55	379
47 x 18 x 18	Airplane Tires	55	379
50 x 20 x 20	Airplane Tires	55	379
16.5L x 16.1	Implement Tires	35	241
21.5L x 16.1	Implement Tires	35	241
18.4L x 26	Turf Tires	30	207
23.1L x 26	Turf Tires	24	166
28L x 26	Turf Tires	24	166
30.54L x 32	Turf Tires	24	166
35.5L x 32	20 ply Turf Tires	32	220
18L x 22.5	Truck Tires	65	448
23.5L x 25	Loader Dozer Tires	55	379

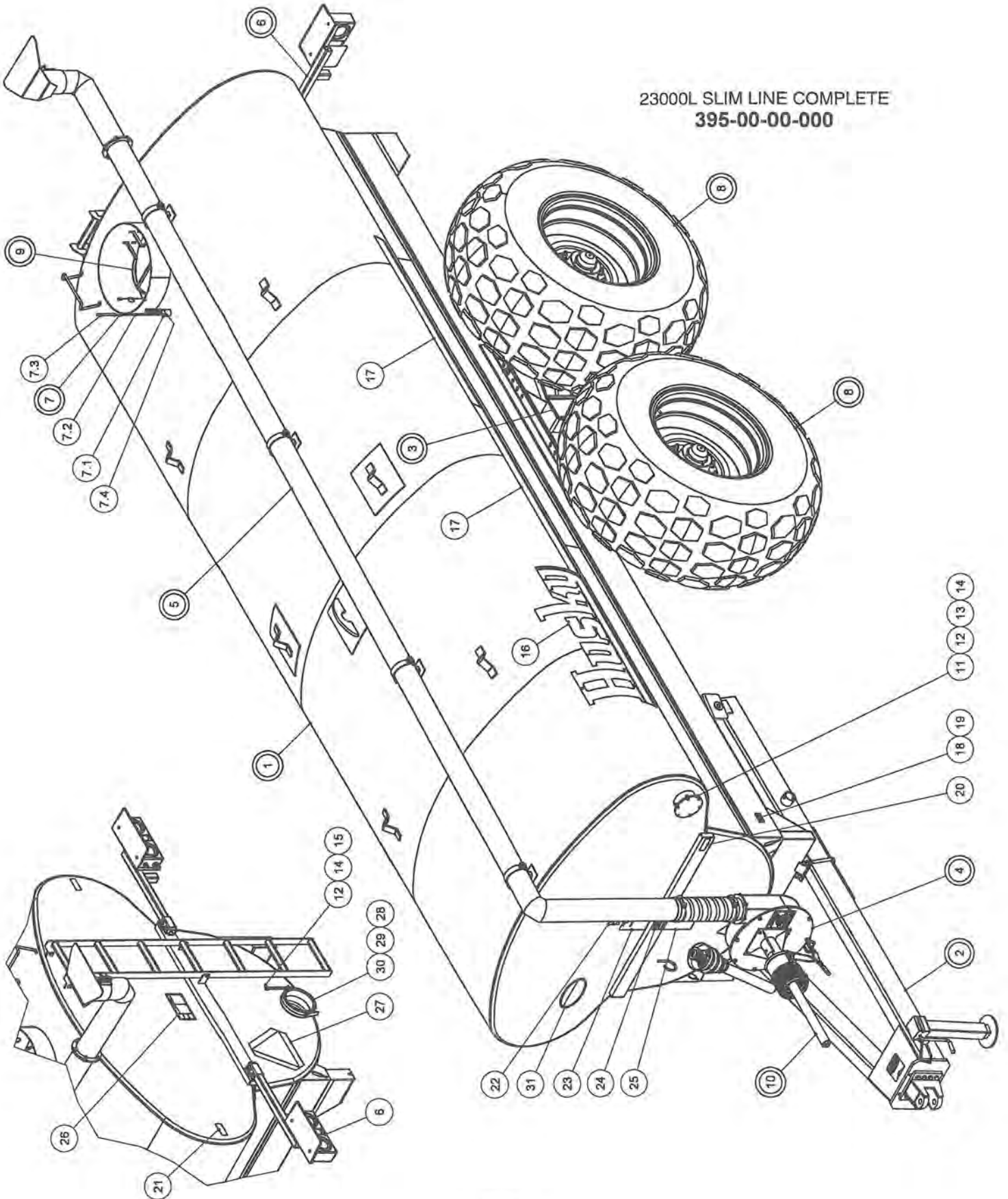
5. Keep wheel bolts torqued to the recommended torque at all times. (Check Daily)

Wheel Bolt Size	Ft/Lbs Torque (Dry)	Ft/Lbs - Oiled	Meter/Kg - Torque Dry	Meter/Kg - Oiled
9/16 - 18 NF GR. 5	120	90	16.59	12.44
5/8 - 18 NF GR. 8	240	180	33.18	24.89
3/4 - 16 NF GR. 8	420	310	58.07	42.86

6. Never enter a tanker without special breathing equipment to supply oxygen. Manure gases can kill instantly. One breath of Hydrogen Sulphide can kill.
7. When repairing hydraulic hoses, always relieve pressure in hose. Always wear safety glasses while working on spreader.
8. Caution - disc brakes will not release until valve lever is held momentarily in opposite position. This will relieve pressure in brake line. Do not put in float position, they will not release. (Rule does not apply to Husky Manure Spreaders equipped with a Knott Brake System)

23000L SLIM LINE COMPLETE

23000L SLIM LINE COMPLETE  
395-00-00-000

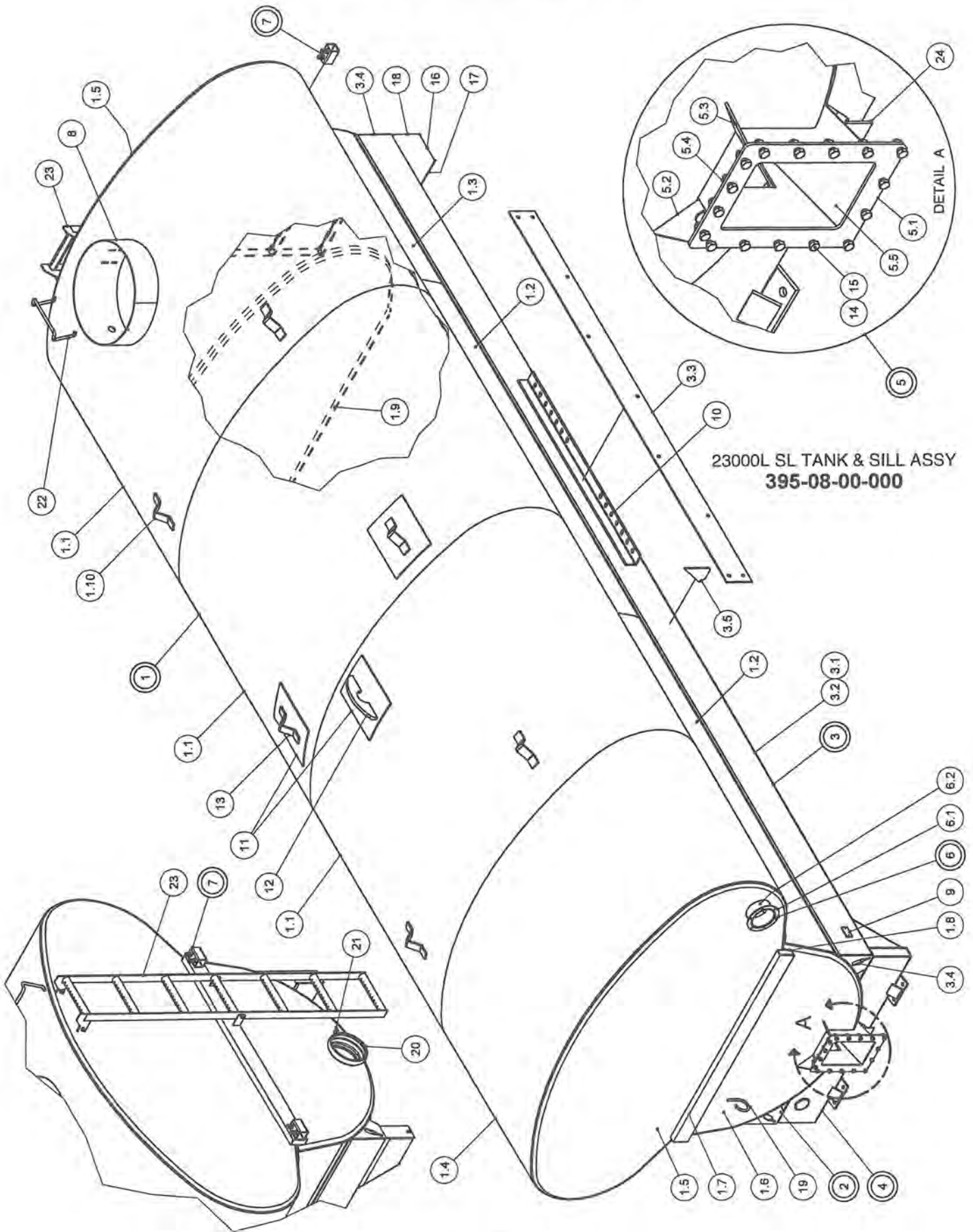


## 23000L SLIM LINE COMPLETE

PARTS LIST			
ITEM	PART NUMBER	DESCRIPTION	QTY
1	395-08-00-000	23000L LOW PROFILE TANK & SILL ASSY	1
2	395-07-00-000	23000L & 28000L SL TONGUE KIT	1
3	395-01-00-000	23000L SL AXLE COMPLETE	1
4	364-56-00-000	1000 FAN & HOUSING KIT	1
5	395-09-00-000	23000L 6" DISCHARGE PIPE KIT	1
6	357-30-00-000	TAIL LIGHT KIT	1
7	340-62-00-000	INDICATOR KIT	1
7.1	340-00-00-536	FLAG SPRING HOLDER	1
7.2	R08037	SPRING FOR SPREADER FLAG	1
7.3	340-62-00-553	INDICATOR HOSE	1
7.4	R07926	5/16-18 x 1/4" SET SCREW	1
8	357-07-00-000	30.5L x 32 TIRE & WHEEL ASSY - 25000LB	4
9	357-63-00-000	SAFETY BAR ASSY	1
10	R21583	PTO - 1000RPM	1
11	330-00-00-559	ACCESS TUBE COVER PLATE	1
12	R07675	3/8 x 1 1/4 UNC HEX BOLT	7
13	R07803	3/8" LOCK WASHER	6
14	R07783	3/8-16 UNC HEX NUT	7
15	R07823	3/8" FLAT WASHER	1
16	R09510	"HUSKY" DECAL	2
17	R09511	ACCENT STRIP	4
18	R09071	SERIAL NUMBER PLATE	1
19	R08152	6 x 1/4 PAN HD SOCKET SCREW	2
20	R10097	AMBER REFLECTOR	1
21	R10096	RED REFLECTOR	2
22	R09509	"MADE IN CANADA" DECAL - LARGE	1
23	R09730	TORQUE, TIRE PRESSURE DECAL	1
24	R09512	CAPACITY DECAL	1
25	R09783	"CAUTION" DECAL	1
26	R10334	TOXIC GAS PICTORAL DECAL	1
27	R09501	SLOW MOVING VEHICLE DECAL	1
28	R02863	8" CL GASKET	1
29	395-08-04-000	DRAIN PLUG ASSY	1
30	244-09-00-000	8" CLAMP & CHAIN ASSY	1
31	R10335	MANURE SPILL DECAL	1

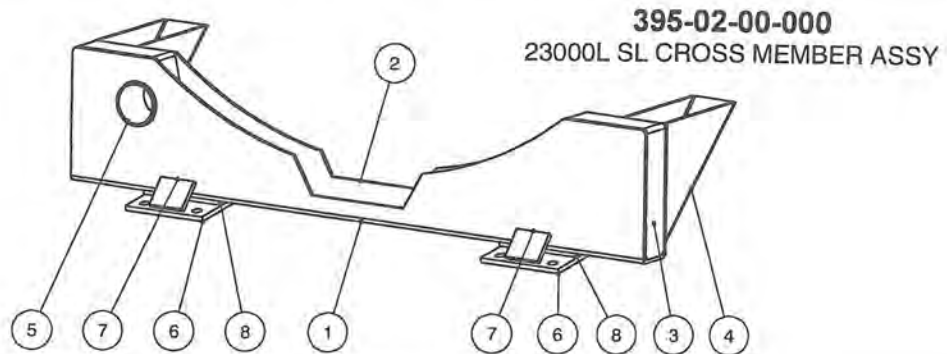


# 23000L SLIM LINE TANK ASSY



## 23000L SLIM LINE TANK ASSY

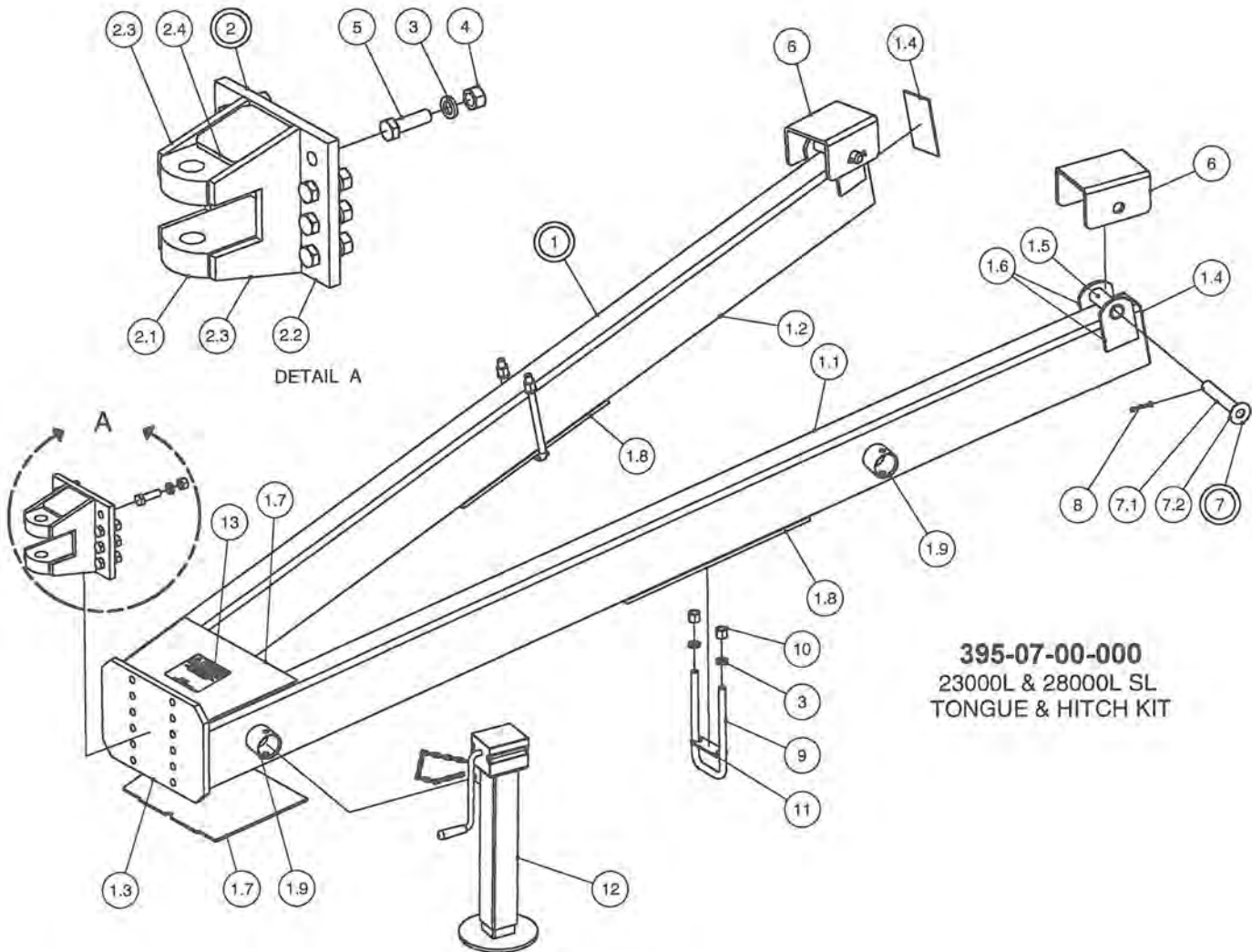
PARTS LIST				PARTS LIST			
ITEM	PART NUMBER	DESCRIPTION	QTY	ITEM	PART NUMBER	DESCRIPTION	QTY
1	395-08-01-000	23000L LOW PROFILE TANK ASSY	1	5.4	364-01-03-104	OUTLET TOP PC	1
1.1	395-08-01-045	TOP SHELL (LONG)	3	5.5	364-01-03-105	OUTLET BOTTOM PC	1
1.2	395-03-01-024	BOTTOM SHELL	2	6	330-20-03-000	ACCESS TUBE ASSY	1
1.3	395-08-01-043	BOTTOM SHELL(SHORT)	1	6.1	330-20-03-560	ACCESS TUBE FLANGE	1
1.4	395-08-01-044	TOP SHELL(SHORT)	1	6.2	330-20-03-556	ACCESS TUBE	1
1.5	394-03-01-021	TOP END	2	7	357-30-03-000	MOUNT BRKT ASSY	2
1.6	395-03-01-027	BOTTOM FLANGED END	2	8	364-02-00-006	24" MANHOLE	1
1.7	394-03-01-024	TANK END STIFFENER	2	9	340-01-00-498	SERIAL NO. BACK PLATE	1
1.8	330-66-00-258	STIFFENER END CAP	4	10	364-02-00-280	AXLE ADJUSTMENT ANGLE	2
1.9	394-03-01-023	BAFFLE	3	11	340-01-00-546	LIFT HOOK REINFORCING PLATE	3
1.10	300-01-00-012	TANK LIFT HOOK	4	12	340-01-00-555	CENTER LIFT HOOK	1
2	395-08-02-000	RH SILL ASSY	1	13	300-01-00-012	TANK LIFT HOOK	2
3	395-08-03-000	LH SILL ASSY	1	14	R07795	1/2-13 UNC FLANGE NUT	16
3.1	395-08-02-046	INNER SILL	1	15	R07674	1/2 x 1 1/4 UNC HEX BOLT	16
3.2	395-08-02-047	SILL	1	16	394-03-00-063	SILL TUBE	2
3.3	395-03-02-031	SILL REINFORCING PLATE	1	17	394-03-00-064	ANGLED TUBE CAP	2
3.4	394-03-02-030	SILL CAP	2	18	394-03-00-065	TUBE CAP	2
3.5	395-03-02-032	SILL STIFFENER	4	19	315-30-00-108	HYD. HOSE HOOK	1
4	395-02-00-000	CROSS MEMBER ASSY	1	20	395-08-00-051	8" DRAIN PIPE	1
5	364-82-00-000	FLANGED TANK OUTLET	1	21	250-96-00-298	CHAIN LUG	1
5.1	364-81-02-393	HOUSING FLANGE	1	22	364-02-00-008	LADDER RUNG	1
5.2	364-82-00-395	LH OUTLET SIDE PC	1	23	394-07-00-000	LADDER ASSY	1
5.3	364-82-00-396	RH OUTLET SIDE PC	1	24	364-00-00-558	TANK OUTLET BRACE	1



PARTS LIST			
ITEM	PART NUMBER	DESCRIPTION	QTY
1	395-02-00-016	FRONT CROSS MEMBER	1
2	395-02-00-017	REAR CROSS MEMBER	1
3	395-02-00-018	CROSS MEMBER CAP	2
4	395-02-00-019	DOUBLE GUSSET	2
5	395-02-00-020	ACCESS TUBE	1
6	358-45-00-148	TONGUE STRAP	2
7	364-02-17-123	TONGE STRAP GUSSET	2
8	395-02-00-048	3/8" FILLER ROD	2

## 23000L & 28000L SL TONGUE & HITCH KIT

PARTS LIST				PARTS LIST			
ITEM	PART NUMBER	DESCRIPTION	QTY	ITEM	PART NUMBER	DESCRIPTION	QTY
1	395-07-01-000	23000L & 28000L SL TONGUE ASSY	1	2.4	358-43-00-142	HITCH UPPER GUSSET	2
1.1	395-07-01-041	L.H. TONGUE TUBE	1	3	R07807	3/4" LOCK WASHER	12
1.2	395-07-01-042	R.H. TONGUE TUBE	1	4	R07787	3/4-10 UNC HEX NUT	8
1.3	358-42-00-137	HITCH BOLT PLATE	1	5	R07655	3/4 x 2 1/2 UNC HEX BOLT	8
1.4	315-36-00-147	TONGUE TUBE COVER	2	6	394-03-00-014	TONGUE "U" PC	2
1.5	315-36-00-145	TONGUE BUSHING	2	7	315-39-00-000	LOCK PIN ASSY	2
1.6	315-36-00-146	TONGUE SIDE PC	4	7.1	315-39-00-155	TONGUE LOCK PIN	1
1.7	357-27-00-166	UPPER TONGUE TUBE GUSSET	2	7.2	R07828	1" FLAT WASHER	1
1.8	357-00-00-129	TONGUE REINFORCING PLATE	2	8	R08016	1/4 x 2 COTTER PIN	2
1.9	364-35-00-245	TONGUE JACK BRKT	2	9	R08172	3/4" UNF x 10" - "U" BOLT	2
2	358-43-00-000	HITCH ASSY	1	10	R07820	3/4" FED. HIGH HEX NUT	4
2.1	358-43-00-140	HITCH PLATE	2	11	364-00-00-131	U - BOLT SPACER	2
2.2	358-43-00-139	HITCH BACK PLATE	1	12	357-14-00-000	8000 LB JACK KIT	1
2.3	358-43-00-141	HITCH SIDE GUSSET	2	13	R09672	CAUTION PTO LENGTH DECAL	1





## **HUSKY FARM EQUIPMENT LIMITED**

ALMA, ON

N0B 1A0

PHONE: (519) 846-5329

FAX: (519) 846-9378

### **FIVE YEAR AXLE WARRANTY**

Husky Farm Equipment Limited will guarantee for five (5) years from date of invoice, all Manure Spreader undercarriages and axle assemblies, if used on a farm for farm purposes.

Husky will replace free of charge:

1. Any part of the axle which should break or collapse through normal use.
2. Any spindles or hubs which should break through normal use.
3. Any wheel and rim assemblies which should fail through normal use.

Exempt from extended warranty are:

1. Any part of the axle which should break or collapse through overload. Overload includes: Any attachments (ie. injectors) and any product being transported in Spreader weighing more than 10 lb/gallon. (ie. manure mixed with sand).
2. Bearings and tires which are covered under normal warranty and do require maintenance to avoid failure.
3. Wheel or rim damage resulting from owner failing to keep wheel bolts tight.
4. Spindles damaged through bearing failure.
5. Any axle that is custom built.
6. Any axle used in commercial custom hauling applications.

To qualify for extended warranty, damaged parts must be returned to Husky Farm Equipment Limited, prepaid shipping, along with serial number and copy of the original invoice.

All parts supplied by Husky on warranty, will be shipped freight collect. Extended warranty covers damaged parts only and does not cause liability on Husky for any damage resulting from such failure.

### **TEN YEAR WARRANTY AGAINST RUSTOUT**

Husky Farm Equipment provides a ten (10) year warranty from date of invoice, against premature perforation (rust out) of any liquid manure spreader manufactured. Providing the manure spreader is used for manure or sludge and not for chemical products.

Extended warranty is pro rated and will be paid only through the crediting off of the then current list price of a replacement manure spreader of the portion of warranty not used up in time.

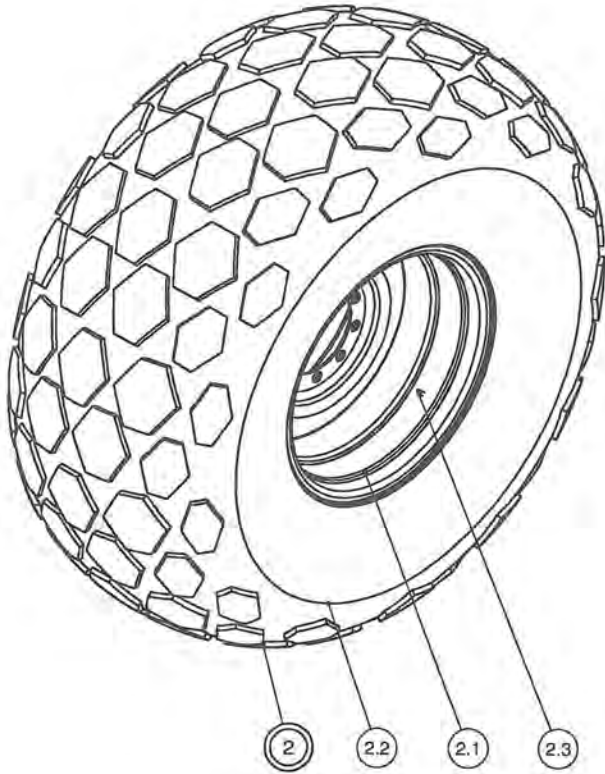
Warranty will be effective toward replacing spreader only and no cash payment will be made. It will be understood that the original equipment to be replaced will then become property of Husky Farm Equipment Limited.

This extended warranty will be effective through Husky Farm Equipment factory or factory outlet only. A copy of the original invoice is to be supplied along with the serial number. This warranty will not be effective for commercial custom haulers or to owners other than the original.

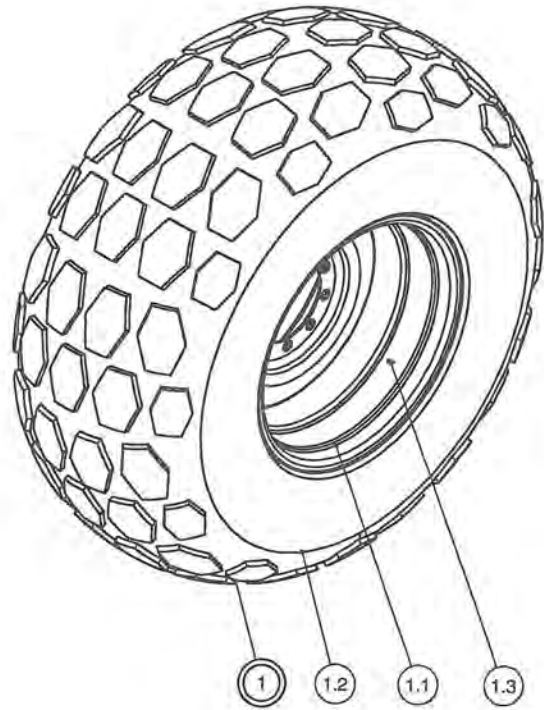
Transportation to and from the factory is to be paid for by the owner of the equipment and not by Husky Farm Equipment Limited.



## 23000L & 28000L TIRES



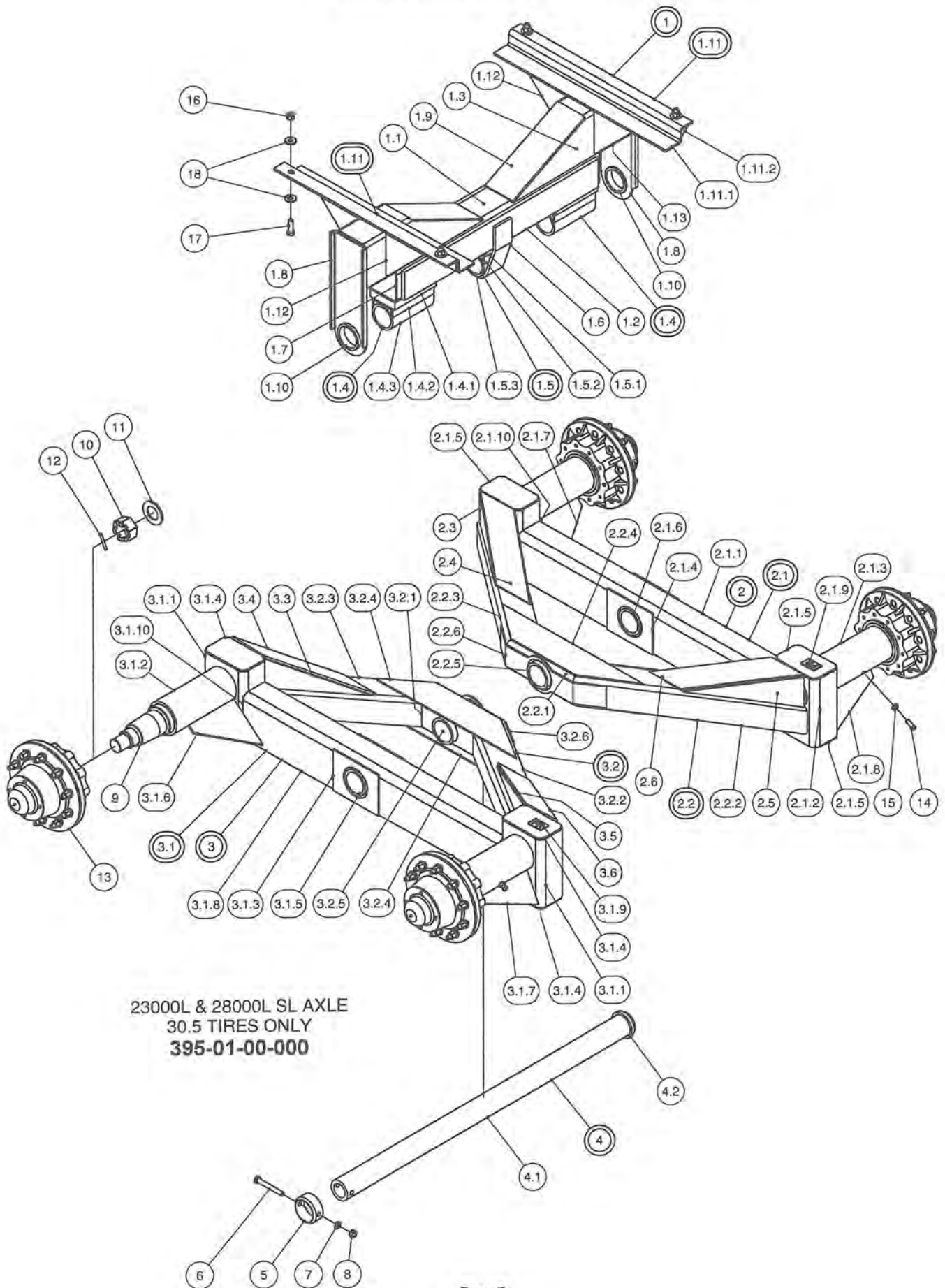
**35.5 x 32 TIRE & WHEEL ASSY**  
**356-08-00-000**  
(OPTIONAL)



**30.5 x 32 TIRE & WHEEL ASSY**  
**357-07-00-000**

PARTS LIST			
ITEM	PART NUMBER	DESCRIPTION	QTY
1	357-07-00-000	30.5L x 32 TIRE & WHEEL ASSY - 25000LB	4
1.1	R22071	30.5 - 25000lb RIM	1
1.2	R22070	30.5L x 32 R3 12 PLY TIRE	1
1.3	R20161	VALVE STEM	1
2	356-08-00-000	35.5L x 32 TIRE & WHEEL ASSY - 25000LB	4
2.1	R22071	30.5 - 25000lb RIM	1
2.2	R22089	35.5L x 32 TIRE	1
2.3	R20161	VALVE STEM	1

# 23000L SLIM LINE AXLE KIT



23000L & 28000L SL AXLE  
 30.5 TIRES ONLY  
**395-01-00-000**

## 23000L SLIM LINE AXLE KIT

PARTS LIST				PARTS LIST			
ITEM	PART NUMBER	DESCRIPTION	QTY	ITEM	PART NUMBER	DESCRIPTION	QTY
1	395-01-06-000	BASE FRAME ASSY - 23000L	1	2.5	395-01-03-008	FRONT OUTER GUSSET	2
1.1	394-01-01-001	CROSS AXLE SUPPORT TUBE	1	2.6	395-01-03-010	FRONT CAP	1
1.2	395-01-06-014	REINFORCING BAR	2	3	395-01-04-000	RH TANDEM SIDE ASSY	1
1.3	394-01-01-002	CROSS AXLE EXTENSION TUBE	2	3.1	395-01-02-000	LH WALKING BEAM ASSY	1
1.4	358-09-02-000	OUTER SLEEVE ASSY	2	3.1.1	395-01-01-002	WALKING BEAM ENDS	2
1.4.1	358-85-00-251	SPACER BAR	1	3.1.2	395-01-01-003	SPINDLE SLEEVE	2
1.4.2	340-07-08-323	5" CHANNEL @ 9LB	1	3.1.3	395-01-01-004	REINFORCING PLATE	2
1.4.3	340-07-08-322	STATIONARY SLEEVE	1	3.1.4	395-01-01-005	TUBE CAPS	4
1.5	394-01-11-000	INNER SLEEVE ASSY	1	3.1.5	394-01-03-012	WALKER SLEEVE	1
1.5.1	394-01-11-016	SPACER BAR	1	3.1.6	395-01-01-006	INNER SPINDLE SLEEVE GUSSET	2
1.5.2	394-01-11-015	5" CHANNEL @ 9LB	1	3.1.7	395-01-01-007	INNER SPINDLE SLEEVE GUSSET	2
1.5.3	394-01-02-006	CENTER SLEEVE TUBE	1	3.1.8	395-01-01-001	WALKING BEAM	1
1.6	395-01-06-015	REINFORCING "U" PC	1	3.1.9	358-01-00-401	"FRONT" PLATE	1
1.7	340-07-00-329	CROSS AXLE SUPPORT COVER PLATE	2	3.1.10	394-01-03-056	FILLER BAR	4
1.8	394-01-01-004	HANGER BRKT	2	3.2	394-01-10-000	AXLE "A" FRAME ASSY	1
1.9	394-01-01-003	EXTENSION TUBE CAP	2	3.2.1	394-01-10-018	CONNECTOR TUBE	1
1.10	394-01-01-005	HANGER TUBE	2	3.2.2	394-01-10-039	FRONT TANDEM ARM	1
1.11	330-69-01-000	SILL "Z" PLATE ASSY	2	3.2.3	394-01-10-038	REAR TANDEM ARM	1
1.11.1	358-85-00-253	SILL "Z" PLATE	1	3.2.4	394-01-10-042	GUSSET	2
1.11.2	330-69-00-550	GUSSET	2	3.2.5	358-83-01-235	WALKER SLEEVE	1
1.12	394-01-01-034	DOUBLE GUSSET	4	3.2.6	394-01-10-043	REAR TANDEM ARM GUSSET	1
1.13	394-01-01-033	FILLER PLATE	2	3.3	395-01-03-011	REAR OUTER GUSSET	2
2	395-01-03-000	LH TANDEM SIDE ASSY	1	3.4	395-01-03-013	REAR CAP	1
2.1	395-01-01-000	LH WALKING BEAM ASSY	1	3.5	395-01-03-008	FRONT OUTER GUSSET	2
2.1.1	395-01-01-001	WALKING BEAM	1	3.6	395-01-03-010	FRONT CAP	1
2.1.2	395-01-01-002	WALKING BEAM ENDS	2	4	395-01-05-000	MAIN AXLE TUBE ASSY-23000L & UP	1
2.1.3	395-01-01-003	SPINDLE SLEEVE	2	4.1	395-01-05-021	MAIN AXLE TUBE	1
2.1.4	395-01-01-004	REINFORCING PLATE	2	4.2	340-63-00-538	STOP RING	1
2.1.5	395-01-01-005	TUBE CAPS	4	5	357-00-00-118	RETAINING RING	1
2.1.6	394-01-03-012	WALKER SLEEVE	1	6	R07660	3/4 x 6 UNC HEX BOLT	1
2.1.7	395-01-01-006	INNER SPINDLE SLEEVE GUSSET	2	7	R07807	3/4" LOCK WASHER	1
2.1.8	395-01-01-007	INNER SPINDLE SLEEVE GUSSET	2	8	R07787	3/4-10 UNC HEX NUT	1
2.1.9	358-01-00-401	"FRONT" PLATE	1	9	357-00-00-196	25000 LB SPINDLE	4
2.1.10	394-01-03-056	FILLER BAR	4	10	R22047	SPINDLE NUT 2 1/2" - 12UN	4
2.2	394-01-10-000	AXLE "A" FRAME ASSY	1	11	357-00-00-128	SPINDLE WASHER	4
2.2.1	394-01-10-018	CONNECTOR TUBE	1	12	R07987	3/8 x 3" ROLL PIN	4
2.2.2	394-01-10-039	FRONT TANDEM ARM	1	13	357-06-00-000	25000 LB HUB COMPLETE	4
2.2.3	394-01-10-038	REAR TANDEM ARM	1	14	R07927	5/8 x 1 1/2 UNC SQ HD SETSCREW	8
2.2.4	394-01-10-042	GUSSET	2	15	R07816	5/8-18 UNF HEX NUT	8
2.2.5	358-83-01-235	WALKER SLEEVE	1	16	R07878	3/4 UNC NYLOCK NUT	4
2.2.6	394-01-10-043	REAR TANDEM ARM GUSSET	1	17	R07655	3/4 x 2 1/2 UNC HEX BOLT	4
2.3	395-01-03-011	REAR OUTER GUSSET	2	18	R07827	3/4" FLAT WASHER	8
2.4	395-01-03-013	REAR CAP	1				



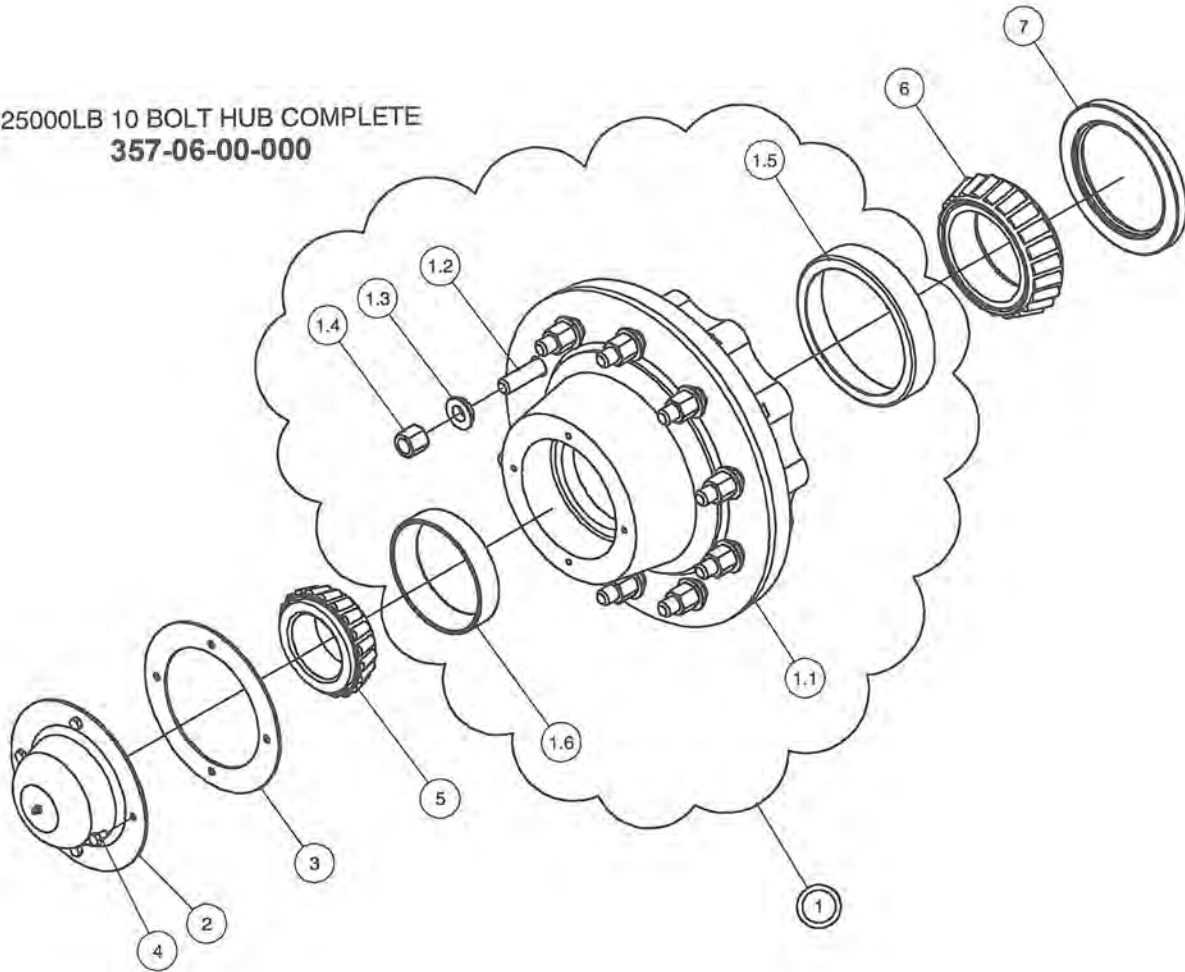


## 28000L SLIM LINE AXLE KIT

PARTS LIST				PARTS LIST			
ITEM	PART NUMBER	DESCRIPTION	QTY	ITEM	PART NUMBER	DESCRIPTION	QTY
1	396-01-01-000	LH TANDEM SIDE ASSY	1	2.5	396-01-01-115	REAR CAP	1
1.1	396-01-02-000	LH TANDEM WALKING BEAM ASSY	1	2.6	396-01-01-110	FRONT OUTER GUSSET	1
1.1.1	396-01-02-100	WALKING BEAM	1	2.7	396-01-01-111	FRONT INNER GUSSET	1
1.1.2	396-01-02-101	WALKING BEAM END	2	2.8	396-01-01-114	FRONT CAP	1
1.1.3	356-07-02-012	SPINDLE SLEEVE FOR 5 1/2" SPINDLE	2	2.9	358-01-00-401	"FRONT" PLATE	1
1.1.4	394-01-03-017	COVER PLATE	4	3	395-01-06-000	BASE FRAME ASSY - 23000L	1
1.1.5	394-01-03-012	WALKER SLEEVE	1	3.1	394-01-01-001	CROSS AXLE SUPPORT TUBE	1
1.1.6	395-01-01-004	REINFORCING PLATE	2	3.2	395-01-06-014	REINFORCING BAR	2
1.1.7	396-01-02-103	OUTER SPINDLE SLEEVE GUSSET	2	3.3	394-01-01-002	CROSS AXLE EXTENSION TUBE	2
1.1.8	396-01-02-102	INNER SPINDLE SLEEVE GUSSET	2	3.4	358-09-02-000	OUTER SLEEVE ASSY	2
1.1.9	356-09-02-060	FILLER BAR	4	3.4.1	358-85-00-251	SPACER BAR	1
1.2	396-01-04-000	"A" FRAME ASSY	1	3.4.2	340-07-08-323	5" CHANNEL @ 9LB	1
1.2.1	396-01-04-109	CONNECTOR TUBE	1	3.4.3	340-07-08-322	STATIONARY SLEEVE	1
1.2.2	396-01-04-105	REAR TANDEM ARM	1	3.5	394-01-11-000	INNER SLEEVE ASSY	1
1.2.3	396-01-04-104	FRONT TANDEM ARM	1	3.5.1	394-01-11-016	SPACER BAR	1
1.2.4	358-83-01-235	WALKER SLEEVE	1	3.5.2	394-01-11-015	5" CHANNEL @ 9LB	1
1.2.5	396-01-04-106	GUSSET	2	3.5.3	394-01-02-006	CENTER SLEEVE TUBE	1
1.2.6	396-01-04-138	REAR TANDEM ARM GUSSET	1	3.6	395-01-06-015	REINFORCING "U" PC	1
1.3	396-01-01-110	FRONT OUTER GUSSET	1	3.7	340-07-00-329	CROSS AXLE SUPPORT COVER PLATE	2
1.4	396-01-01-114	FRONT CAP	1	3.8	394-01-01-004	HANGER BRKT	2
1.5	396-01-01-111	FRONT INNER GUSSET	1	3.9	394-01-01-003	EXTENSION TUBE CAP	2
1.6	396-01-01-112	REAR OUTER GUSSET	1	3.10	394-01-01-005	HANGER TUBE	2
1.7	396-01-01-113	REAR INNER GUSSET	1	3.11	330-69-01-000	SILL "Z" PLATE ASSY	2
1.8	396-01-01-115	REAR CAP	1	3.11.1	358-85-00-253	SILL "Z" PLATE	1
1.9	358-01-00-401	"FRONT" PLATE	1	3.11.2	330-69-00-550	GUSSET	2
2	396-01-03-000	RH TANDEM SIDE ASSY	1	3.12	394-01-01-034	DOUBLE GUSSET	4
2.1	396-01-05-000	RH TANDEM WALKING BEAM ASSY	1	3.13	394-01-01-033	FILLER PLATE	2
2.1.1	396-01-02-100	WALKING BEAM	1	4	357-00-00-196	25000 LB SPINDLE	4
2.1.2	396-01-02-101	WALKING BEAM END	2	5	R07786	5/8 HEX NUT	8
2.1.3	356-07-02-012	SPINDLE SLEEVE FOR 5 1/2" SPINDLE	2	6	R07927	5/8 x 1 1/2 SQ. HD. SET SCREW	8
2.1.4	394-01-03-017	COVER PLATE	4	7	357-06-00-000	25000 LB HUB COMPLETE	4
2.1.5	394-01-03-012	WALKER SLEEVE	1	8	357-00-00-128	SPINDLE WASHER	4
2.1.6	395-01-01-004	REINFORCING PLATE	2	9	R22047	SPINDLE NUT 2 1/2" - 12UN	4
2.1.7	396-01-02-103	OUTER SPINDLE SLEEVE GUSSET	2	10	R07987	3/8 x 3" ROLL PIN	4
2.1.8	396-01-02-102	INNER SPINDLE SLEEVE GUSSET	2	11	395-01-05-000	MAIN AXLE TUBE ASSY-23000L & UP	1
2.1.9	356-09-02-060	FILLER BAR	4	11.1	395-01-05-021	MAIN AXLE TUBE	1
2.2	396-01-04-000	"A" FRAME ASSY	1	11.2	340-63-00-538	STOP RING	1
2.2.1	396-01-04-109	CONNECTOR TUBE	1	12	357-00-00-118	RETAINING RING	1
2.2.2	396-01-04-105	REAR TANDEM ARM	1	13	R07660	3/4 x 6" HEX BOLT	1
2.2.3	396-01-04-104	FRONT TANDEM ARM	1	14	R07807	3/4" LOCK WASHER	1
2.2.4	358-83-01-235	WALKER SLEEVE	1	15	R07787	3/4 - 10 UNC HEX NUT	1
2.2.5	396-01-04-106	GUSSET	2	16	R07655	3/4 x 2 1/2 UNC HEX BOLT	4
2.2.6	396-01-04-138	REAR TANDEM ARM GUSSET	1	17	R07827	3/4" FLAT WASHER	8
2.3	396-01-01-112	REAR OUTER GUSSET	1	18	R07878	3/4 UNC NYLOCK NUT	4
2.4	396-01-01-113	REAR INNER GUSSET	1				

## 25000LB HUB COMPLETE

25000LB 10 BOLT HUB COMPLETE  
**357-06-00-000**

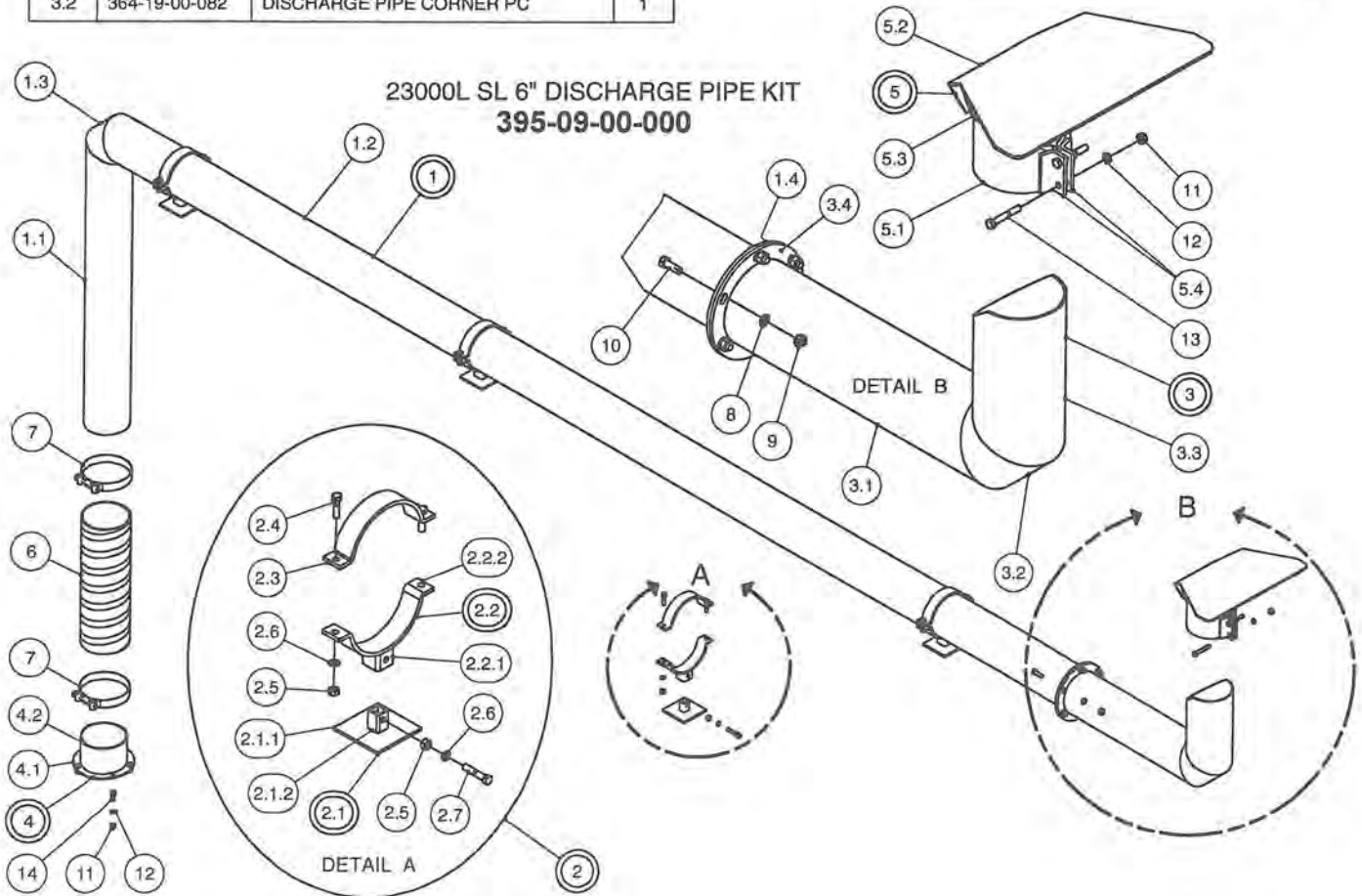


### PARTS LIST

ITEM	PART NUMBER	DESCRIPTION	QTY
1	357-06-00-215	25000LB HUB w/ CUPS,BLTS,NUTS & WSHRS	1
1.1	25000LB HUB	25000LB HUB - MACHINED LESS BEARINGS	1
1.2	R20096	3/4" WHEEL BOLTS	10
1.3	R20152	3/4" SPHERICAL WASHER	10
1.4	R07820	3/4" FED. HIGH HEX NUT	10
1.5	R22038	INNER CUP 71750	1
1.6	R22037	OUTER CUP 652	1
2	357-06-00-136	25000LB DUST CAP w/ GREASE FTG	1
3	R22042	DUST CAP GASKET	1
4	R07694	DUST CAP BOLT 5/16 - 18 x 1/2	4
5	R22039	OUTER CONE - 663	1
6	R22040	INNER CONE - 71455	1
7	R22045	HUB SEAL 456192	1

## 23000L SL 6" DISCHARGE PIPE KIT

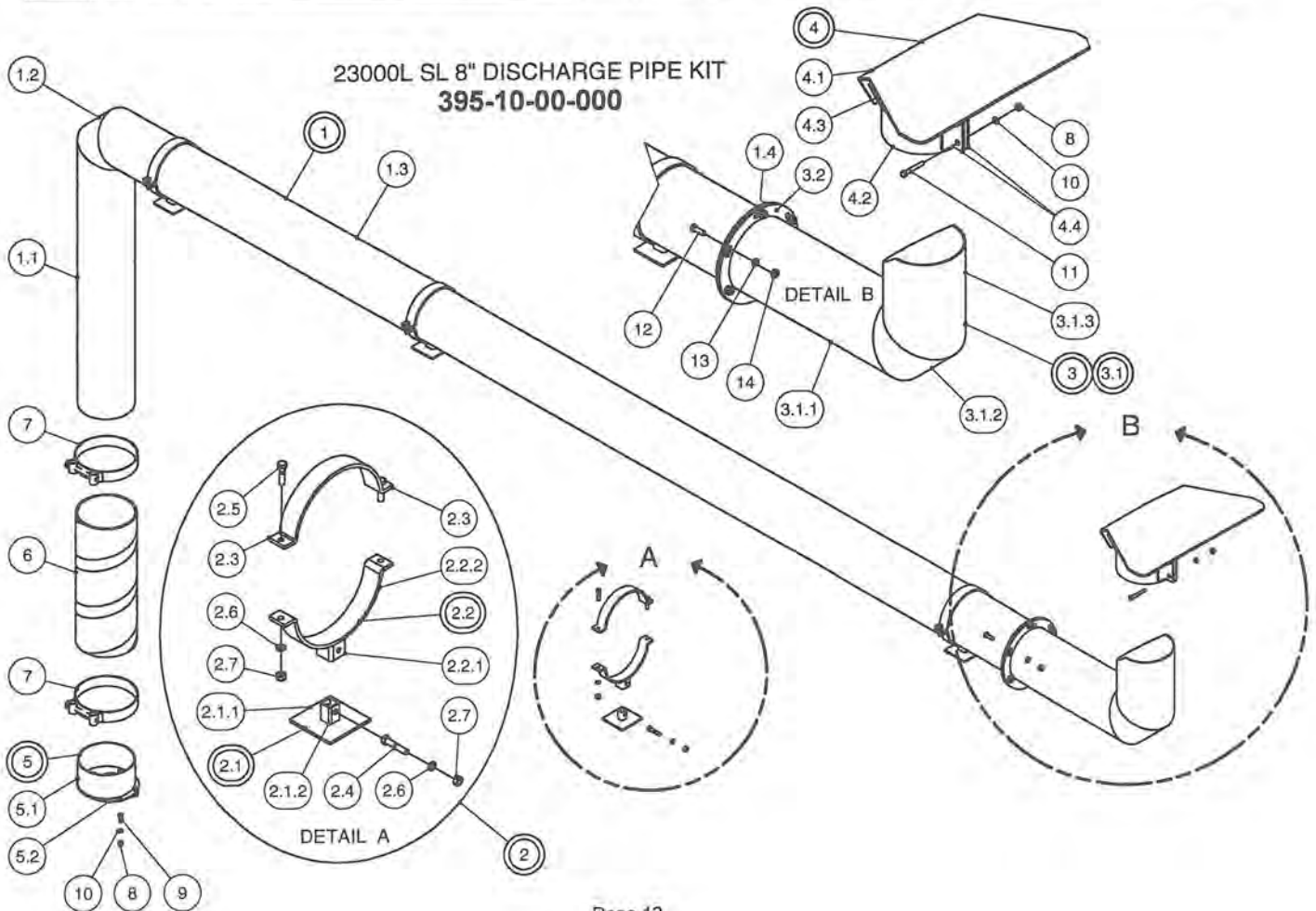
PARTS LIST				PARTS LIST			
ITEM	PART NUMBER	DESCRIPTION	QTY	ITEM	PART NUMBER	DESCRIPTION	QTY
1	395-09-01-000	DISCHARGE PIPE ASSY	1	3.3	364-25-00-067	DISCHARGE PIPE END PC	1
1.1	394-04-01-032	VERTICAL DISCHARGE PIPE	1	3.4	364-19-00-087	DISCHARGE PIPE FLANGE	1
1.2	395-09-01-049	HORIZONTAL DISCHARGE PIPE	1	4	364-31-00-000	HOSE TUBE ASSY - 6"	1
1.3	364-19-00-082	DISCHARGE PIPE CORNER PC	1	4.1	364-01-03-376	DISCHARGE RING	1
1.4	364-19-00-087	DISCHARGE PIPE FLANGE	1	4.2	364-01-03-063	DISCHARGE TUBE	1
2	357-16-00-000	6" DISCHARGE PIPE HOLDER KIT	4	5	364-68-00-000	SPLASH PLATE ASSY	1
2.1	357-16-01-000	DISCHARGE PIPE BASE HOLDER ASSY	1	5.1	364-68-00-215	CLAMPING TUBE	1
2.1.1	357-16-01-130	BASE PLATE	1	5.2	364-21-00-069	SPLASH PLATE	1
2.1.2	357-16-01-131	LOWER STUB	1	5.3	364-21-00-224	SPLASH PLATE WING	2
2.2	357-16-02-000	PIPE HOLDER ASSY	1	5.4	364-21-00-071	CLAMPING TUBE BRKT	2
2.2.1	357-16-02-137	UPPER STUB	1	6	364-00-00-066	HOSE SECTION	1
2.2.2	357-16-00-133	TOP PIPE HOLDER - 6"	1	7	R02482	6" HOSE CLAMP	2
2.3	357-16-00-133	TOP PIPE HOLDER - 6"	1	8	R07804	7/16 LOCK WASHER	6
2.4	R07620	3/8 x 1 1/2 HEX BOLT	2	9	R07784	7/16 HEX NUT	6
2.5	R07783	3/8 HEX NUT	3	10	R07671	7/16 x 1 1/4 HEX BOLT	6
2.6	R07803	3/8 LOCK WASHER	3	11	R07783	3/8 HEX NUT	7
2.7	R07621	3/8 x 2" HEX BOLT	1	12	R07803	3/8 LOCK WASHER	7
3	364-25-00-000	DISCHARGE PIPE END SECTION ASSY	1	13	R07622	3/8 x 2 1/2 HEX BOLT	2
3.1	364-25-00-088	DISCHARGE PIPE FLANGE PC	1	14	R07619	3/8 x 1 HEX BOLT	5
3.2	364-19-00-082	DISCHARGE PIPE CORNER PC	1				





## 23000L SL 8" DISCHARGE PIPE KIT

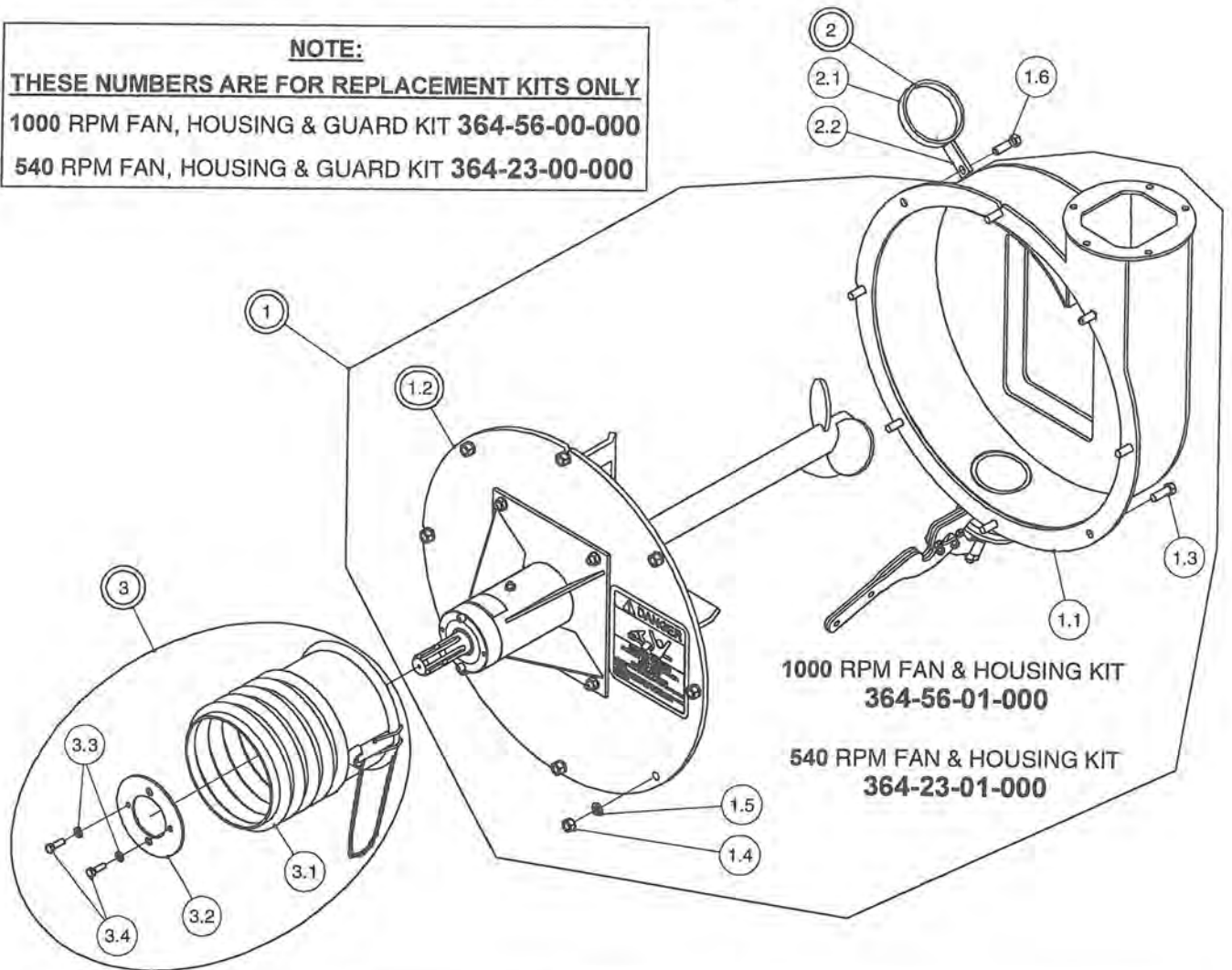
PARTS LIST				PARTS LIST			
ITEM	PART NUMBER	DESCRIPTION	QTY	ITEM	PART NUMBER	DESCRIPTION	QTY
1	395-10-01-000	23000L 8" DISCHARGE PIPE ASSY	1	3.1.2	358-92-03-307-B	8" EXTENSION PIPE CORNER PC	1
1.1	394-06-01-054	8" VERTICAL DISCHARGE PIPE	1	3.1.3	358-92-03-307-A	8" EXTENSION TUBE END PC	1
1.2	358-92-02-524	DISCHARGE ELBOW PC	1	3.2	358-92-02-306	8" DISCHARGE FLANGE	1
1.3	395-10-01-050	LONG DISCHARGE PIPE - 8"	1	4	358-92-04-000	8" SPLASH PLATE ASSY	1
1.4	358-92-02-306	8" DISCHARGE FLANGE	1	4.1	358-92-04-308	8" SPLASH PLATE	1
2	357-17-00-000	8" DISCHARGE PIPE HOLDER KIT	4	4.2	358-92-04-309	8" SPLASH PLATE TUBE	1
2.1	357-16-01-000	DISCHARGE PIPE BASE HOLDER ASSY	1	4.3	358-92-04-310	WING FOR 8" SPLASH PLATE	2
2.1.1	357-16-01-130	BASE PLATE	1	4.4	358-92-04-311	CLAMPING TUBE BRKT	2
2.1.2	357-16-01-131	LOWER STUB	1	5	358-92-01-000	8" HOUSING RING & TUBE ASSY	1
2.2	357-17-01-000	PIPE HOLDER ASSY - 8"	1	5.1	358-92-01-302	8" HOUSING OUTLET TUBE	1
2.2.1	357-16-02-137	UPPER STUB	1	5.2	358-92-01-301	8" HOUSING DISCHARGE RING	1
2.2.2	357-17-00-135	TOP PIPE HOLDER - 8"	1	6	358-92-00-329	8" DISCHARGE HOSE	1
2.3	357-17-00-135	TOP PIPE HOLDER - 8"	1	7	R02484	8" SUCTION HOSE CLAMP	2
2.4	R07621	3/8 x 2" HEX BOLT	1	8	R07783	3/8-16 UNC HEX NUT	7
2.5	R07620	3/8 x 1 1/2 HEX BOLT	2	9	R07619	3/8 x 1 UNC HEX BOLT	5
2.6	R07803	3/8 LOCK WASHER	3	10	R07803	3/8" LOCK WASHER	7
2.7	R07783	3/8 HEX NUT	3	11	R07622	3/8 x 2 1/2 UNC HEX BOLT	2
3	358-92-03-000	8" EXTENSION PIPE ASSY	1	12	R07671	7/16 x 1 1/4 UNC HEX BOLT	6
3.1	358-92-03-307	8" EXTENSION PIPE	1	13	R07804	7/16" LOCK WASHER	6
3.1.1	358-92-03-307-C	8" EXTENSION PIPE - HORIZONTAL PC	1	14	R07784	7/16-14 UNC HEX NUT	6





## FAN & HOUSING KIT

**NOTE:**  
**THESE NUMBERS ARE FOR REPLACEMENT KITS ONLY**  
**1000 RPM FAN, HOUSING & GUARD KIT 364-56-00-000**  
**540 RPM FAN, HOUSING & GUARD KIT 364-23-00-000**

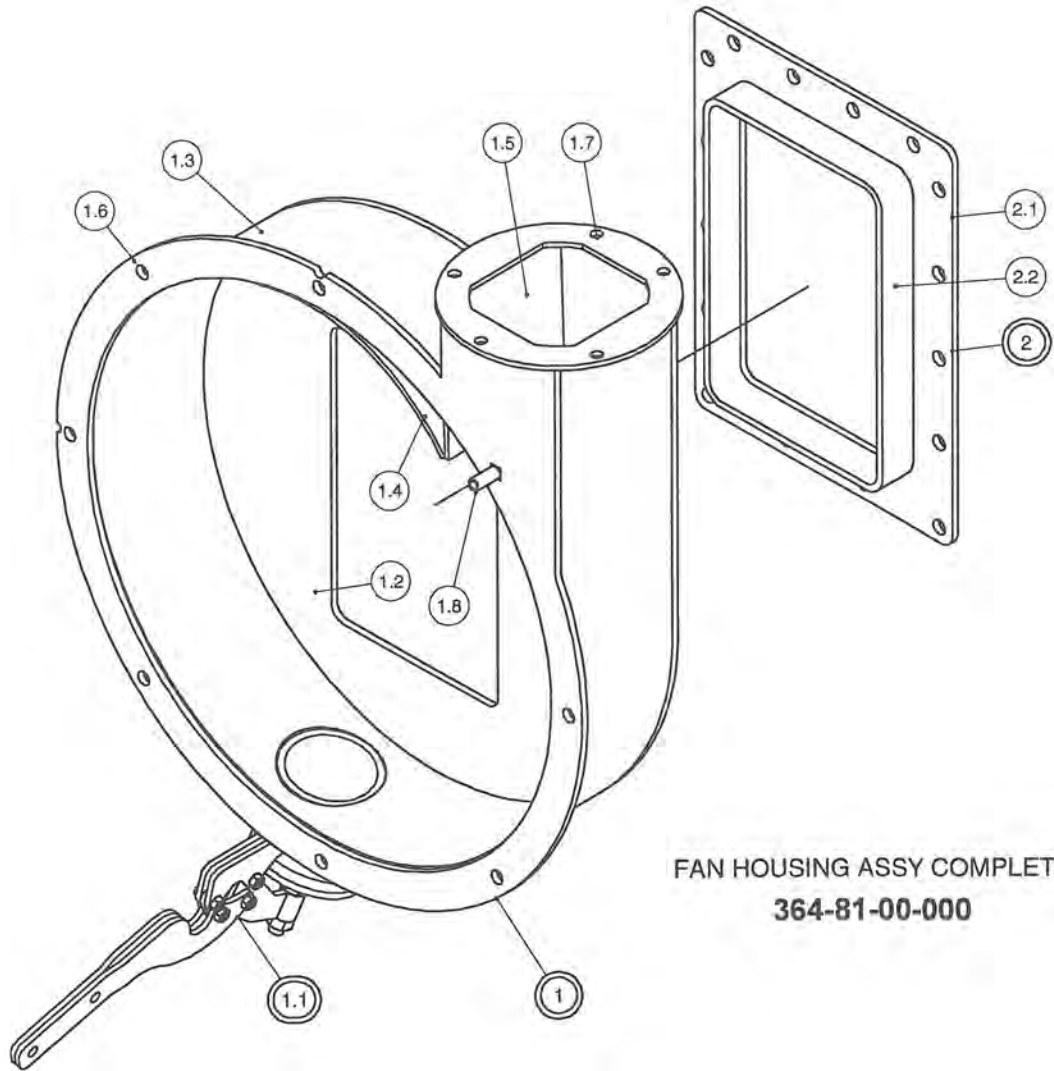


**1000 RPM FAN & HOUSING KIT  
364-56-01-000**

**540 RPM FAN & HOUSING KIT  
364-23-01-000**

PARTS LIST			
ITEM	PART NUMBER	DESCRIPTION	QTY
1	364-56-01-000	1000 FAN & HOUSING KIT	1
1	364-23-01-000	540 FAN & HOUSING KIT	1
1.1	364-81-00-000	FAN HOUSING ASSY COMPLETE	1
1.2	364-66-01-000	1000 RPM FAN & COVER PLATE	1
1.2	364-65-01-000	540 RPM FAN & COVER PLATE	1
1.3	R07671	7/16 x 1 1/4 HEX BOLT	6
1.4	R07784	7/16 HEX NUT	8
1.5	R07804	7/16 LOCK WASHER	8
1.6	R07629	7/16 x 1 1/2 HEX BOLT	1
2	364-41-00-000	PTO HOLDER ASSY	1
2.1	364-41-00-132	PTO HOLDER	1
2.2	364-41-00-133	PTO HOLDER BRACKET	1
3	364-69-00-000	PLASTIC PTO GUARD KIT	1
3.1	R22196	SHEILD CONE ASSY	1
3.2	364-00-00-448	GUARD SUPPORT	1
3.3	R07802	5/16 LOCK WASHER	2
3.4	R07611	5/16 x 1" HEX BOLT	2

# FAN HOUSING ASSY



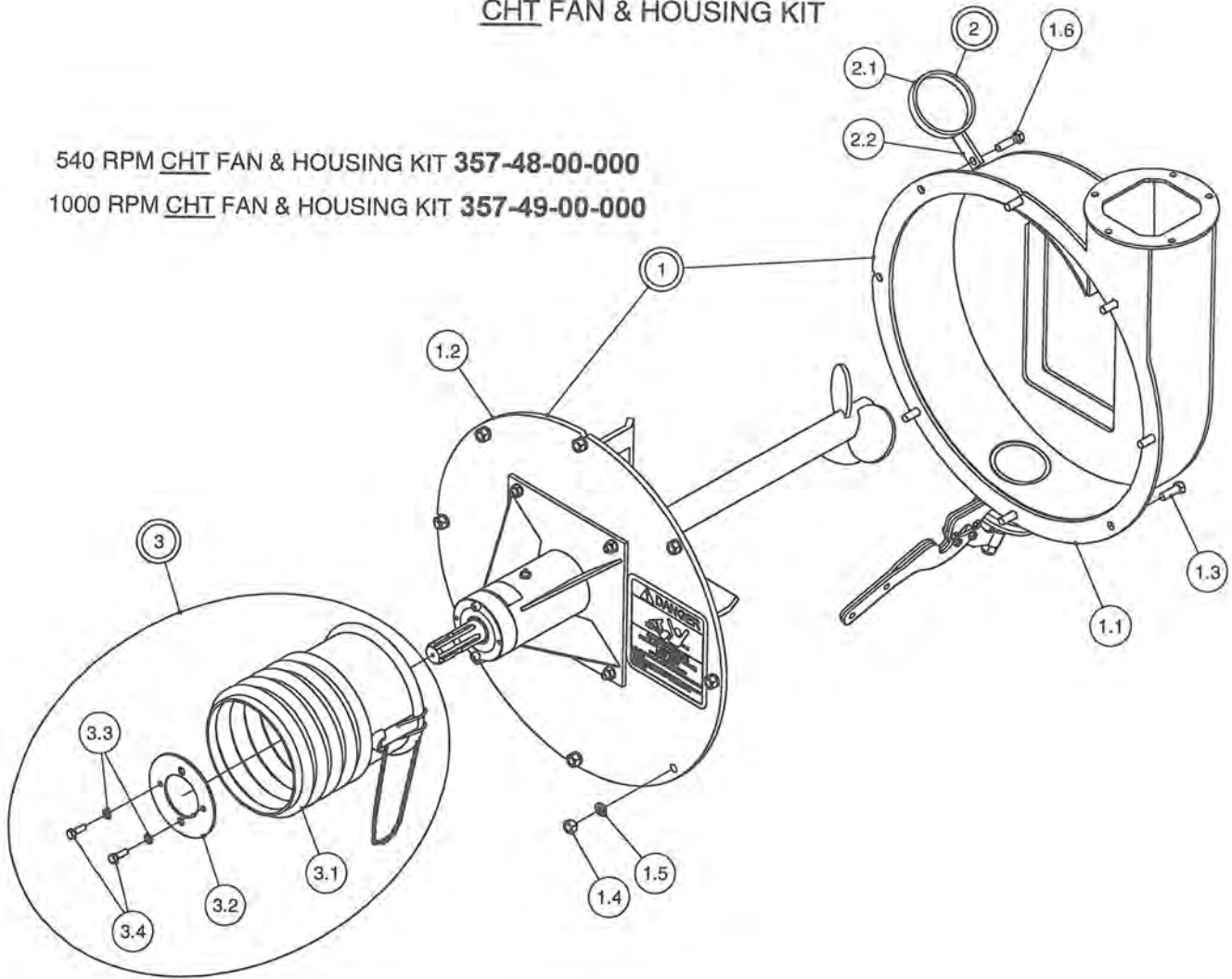
FAN HOUSING ASSY COMPLETE  
**364-81-00-000**

PARTS LIST			
ITEM	PART NUMBER	DESCRIPTION	QTY
1	364-81-01-000	FAN HOUSING ASSY LESS FLANGE	1
1.1	364-62-00-000	DRAIN PLUG KIT	1
1.2	364-01-03-106	HOUSING BACK PLATE	1
1.3	364-01-03-018	HOUSING BAND	1
1.4	364-01-03-156	HOUSING BAND AID	1
1.5	364-01-03-081	FAN HOUSING VERTICAL PC	1
1.6	364-01-03-019	HOUSING FLANGE	1
1.7	364-01-03-376	DISCHARGE RING	1
1.8	R07774	7/16 x 1 1/4" GR 5 CARRIAGE BOLT	1
2	364-81-02-000	HOUSING INLET FLANGE ASSY	1
2.1	364-81-02-393	HOUSING FLANGE	1
2.2	364-81-02-424	INLET EXTENSION TUBE	1

## CHT FAN & HOUSING KIT

540 RPM CHT FAN & HOUSING KIT **357-48-00-000**

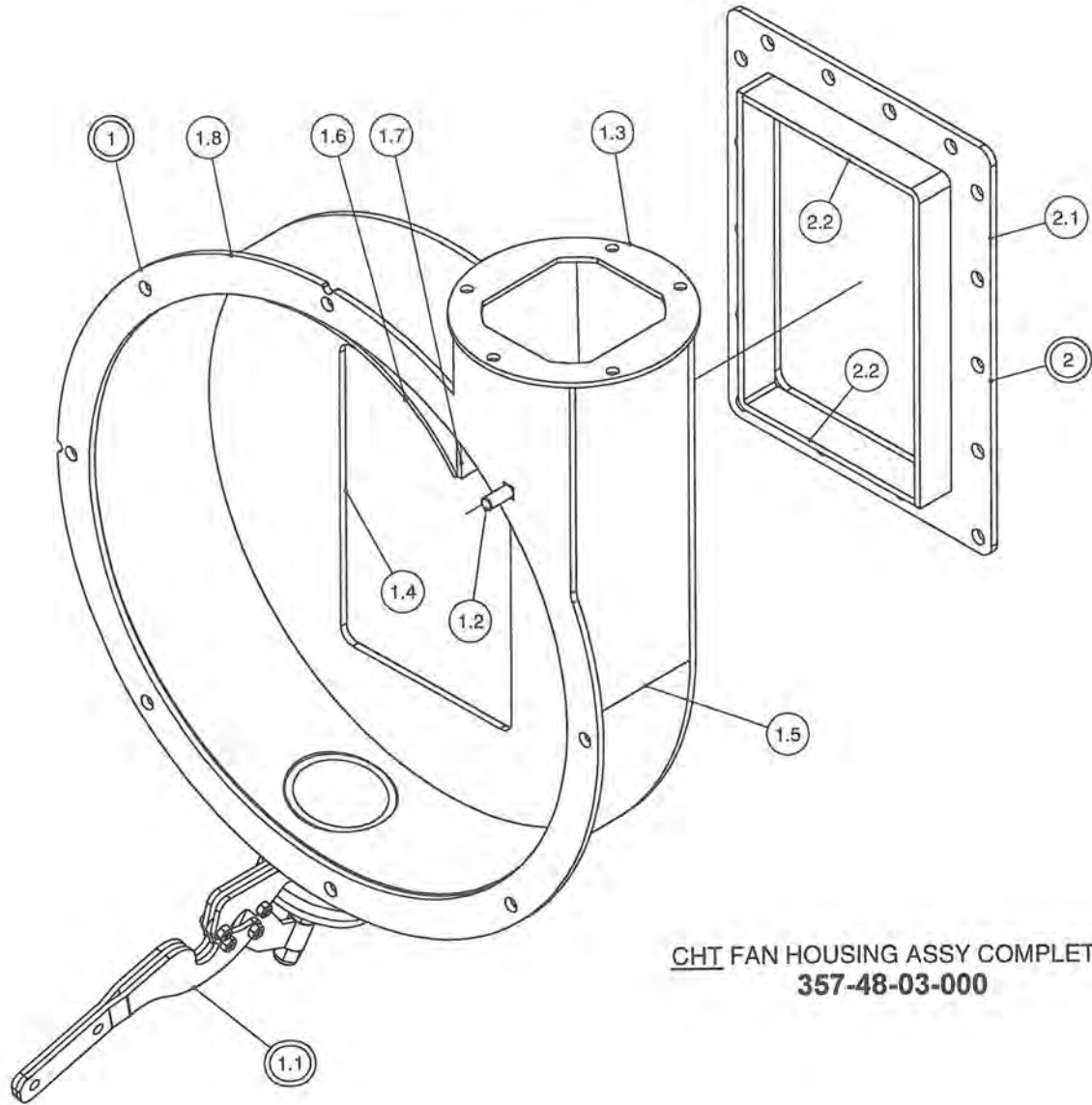
1000 RPM CHT FAN & HOUSING KIT **357-49-00-000**



PARTS LIST			
ITEM	PART NUMBER	DESCRIPTION	QTY
1	357-49-03-000	CHT 1000 RPM FAN & HOUSING KIT	OPT
1	357-48-06-000	CHT 540 FAN & HOUSING KIT	1
1.1	357-48-03-000	CHT FAN HOUSING ASSY COMPLETE	1
1.2	364-66-01-000	1000 RPM FAN & COVER PALTE	OPT
1.2	364-65-01-000	540 RPM FAN & COVER PLATE	1
1.3	R07671	7/16 x 1 1/4 HEX BOLT	6
1.4	R07784	7/16 HEX NUT	8
1.5	R07804	7/16 LOCK WASHER	8
1.6	R07629	7/16 x 1 1/2 HEX BOLT	1
2	364-41-00-000	PTO HOLDER ASSY	1
2.1	364-41-00-132	PTO HOLDER	1
2.2	364-41-00-133	PTO HOLDER BRACKET	1
3	364-69-00-000	PLASTIC PTO GUARD KIT	1
3.1	R22196	SHEILD CONE ASSY	1
3.2	364-00-00-448	GUARD SUPPORT	1
3.3	R07802	5/16 LOCK WASHER	2
3.4	R07611	5/16 x 1" HEX BOLT	2

OPT = OPTIONAL

## CHT FAN HOUSING ASSY

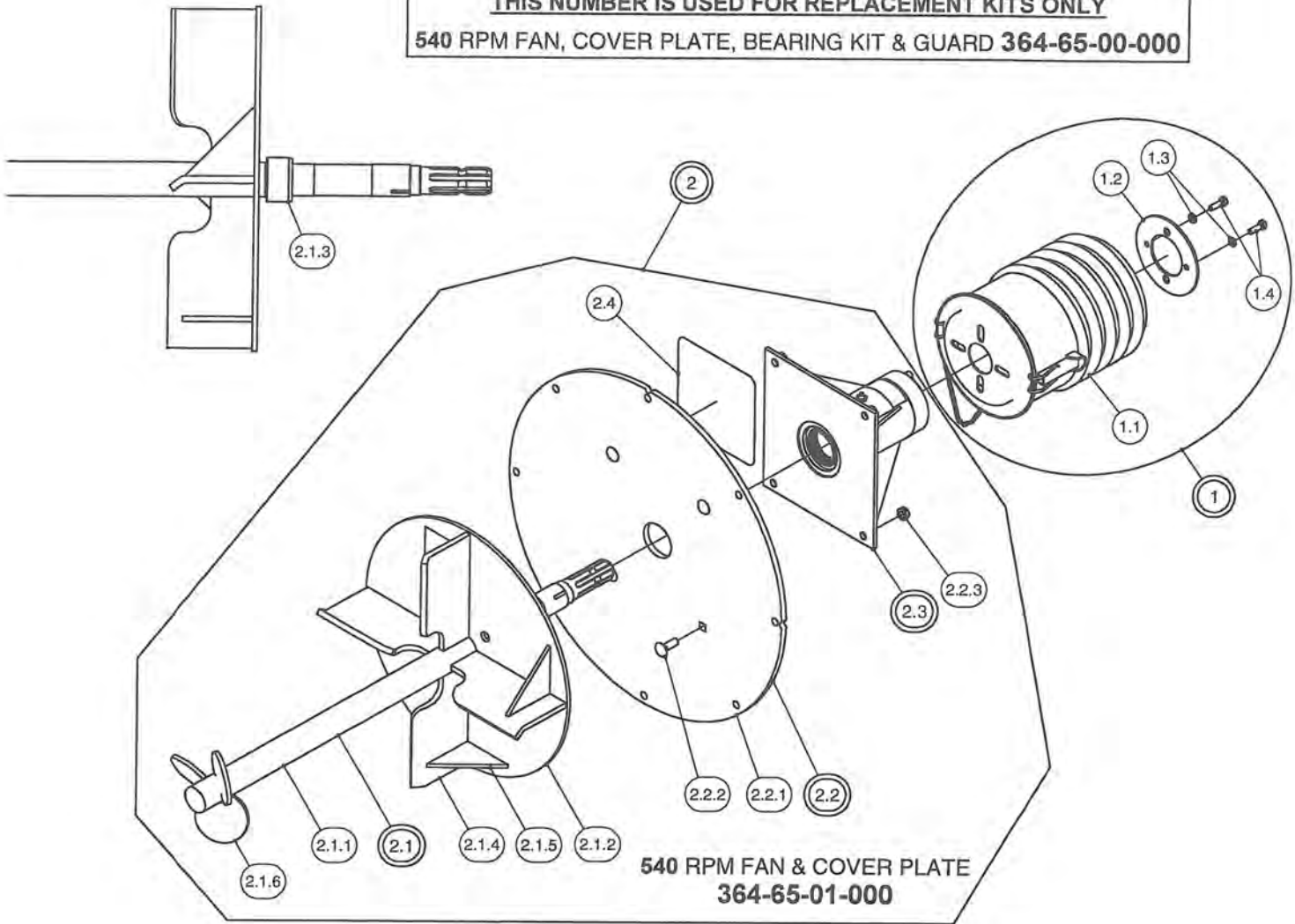


**CHT FAN HOUSING ASSY COMPLETE**  
**357-48-03-000**

PARTS LIST			
ITEM	PART NUMBER	DESCRIPTION	QTY
1	357-48-01-000	CHT FAN HOUSING ASSY LESS FLANGE	1
1.1	364-62-00-000	DRAIN PLUG KIT	1
1.2	R07774	7/16 x 1 1/4 UNC CARRIAGE BOLT	1
1.3	364-01-03-376	DISCHARGE RING	1
1.4	357-48-01-228	CHT HOUSING BACK PLATE	1
1.5	357-48-01-232	CHT HOUSING BAND	1
1.6	357-48-01-231	CHT HOUSING BAND AID	1
1.7	357-48-01-230	CHT FAN HOUSING VERTICAL PC	1
1.8	357-48-01-229	CHT HOUSING FLANGE	1
2	357-48-02-000	CHT HOUSING INLET FLANGE ASSY	1
2.1	364-81-02-393	HOUSING FLANGE	1
2.2	357-48-02-233	CHT INLET EXTENSION	2

## 540 RPM FAN, COVER PLATE, & BRG KIT

**NOTE:**  
**THIS NUMBER IS USED FOR REPLACEMENT KITS ONLY**  
**540 RPM FAN, COVER PLATE, BEARING KIT & GUARD 364-65-00-000**

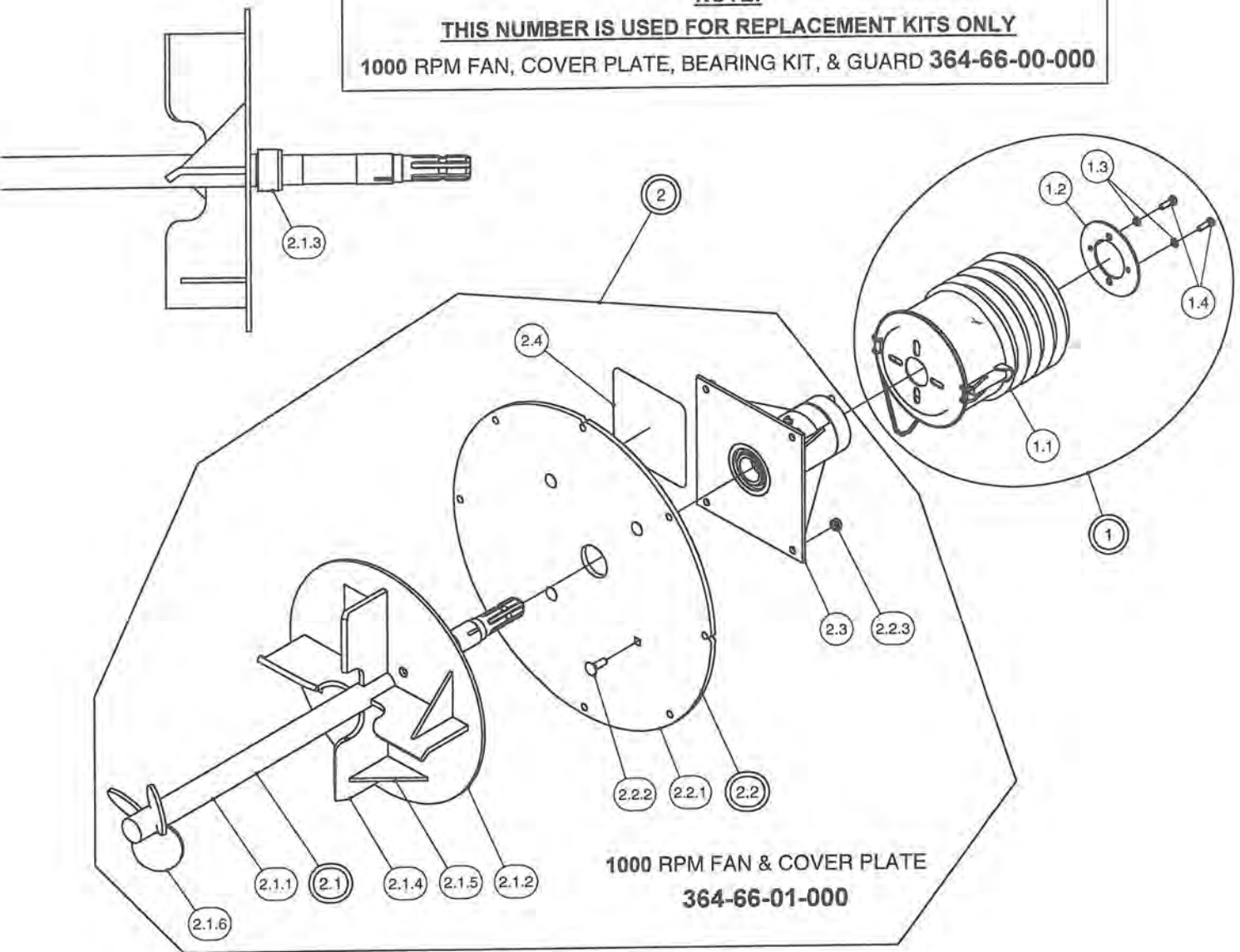


PARTS LIST				PARTS LIST			
ITEM	PART NUMBER	DESCRIPTION	QTY	ITEM	PART NUMBER	DESCRIPTION	QTY
1	364-69-00-000	PLASTIC PTO GUARD KIT	1	2.1.4	364-63-00-208	CHT 540 RPM FAN BLADE	4
1.1	R22196	SHEILD CONE ASSY	1	2.1.5	364-72-00-422	FAN BLADE GUSSET	4
1.2	364-00-00-448	GUARD SUPPORT	1	2.1.6	364-72-00-227	AGITATOR BLADE	3
1.3	R07802	5/16 LOCK WASHER	2	2.2	364-67-00-000	COVER PLATE ASSY	1
1.4	R07611	5/16 x 1" HEX BOLT	2	2.2.1	364-67-00-211	HOUSING COVER PLATE	1
2	364-65-01-000	540 RPM FAN & COVER PLATE	1	2.2.2	R07774	7/16 x 1 1/4" GR 5 CARRIAGE BOLT	4
2.1	364-72-00-000	540 RPM SHAFT & IMP. ASSY - CHT	1	2.2.3	R07879	7/16 FLANGE NUT	4
2.1.1	364-72-00-226	FAN SHAFT	1	2.3	357-59-00-000	BEARINGS & HOLDER KIT 2002	1
2.1.2	364-63-00-209	FAN BACK PLATE	1	2.4	R09785	"DANGER ROTATING DRIVELINE"	1
2.1.3	R20238	HARDENED SEAL SLEEVE	1			DECAL	



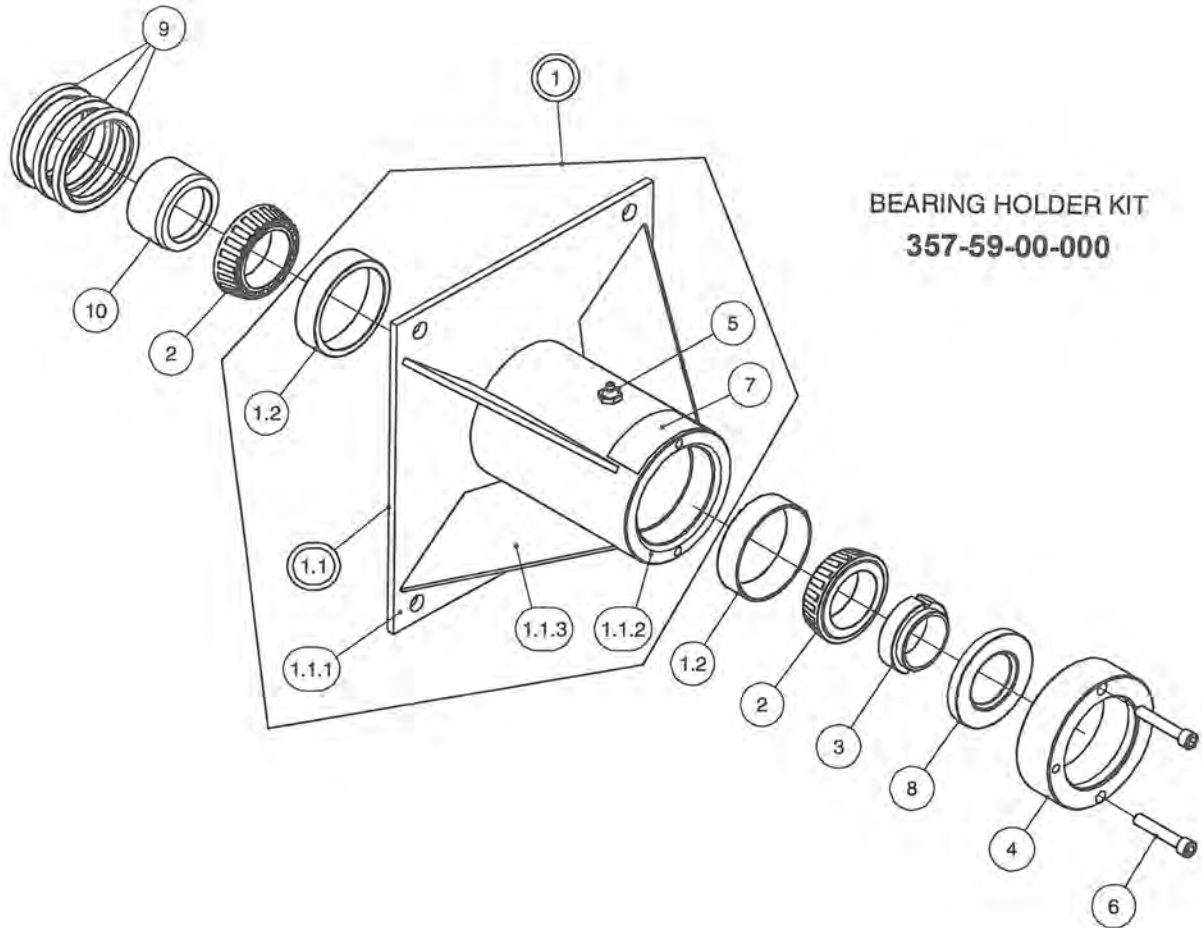
# 1000 RPM FAN, COVER PLATE & BRG KIT

**NOTE:**  
**THIS NUMBER IS USED FOR REPLACEMENT KITS ONLY**  
**1000 RPM FAN, COVER PLATE, BEARING KIT, & GUARD 364-66-00-000**



PARTS LIST				PARTS LIST			
ITEM	PART NUMBER	DESCRIPTION	QTY	ITEM	PART NUMBER	DESCRIPTION	QTY
1	364-69-00-000	PLASTIC PTO GUARD KIT	1	2.1.4	364-64-00-210	CHT 1000 RPM FAN BLADE	4
1.1	R22196	SHEILD CONE ASSY	1	2.1.5	364-72-00-422	FAN BLADE GUSSET	4
1.2	364-00-00-448	GUARD SUPPORT	1	2.1.6	364-72-00-227	AGITATOR BLADE	3
1.3	R07802	5/16 LOCK WASHER	2	2.2	364-67-00-000	COVER PLATE ASSY	1
1.4	R07611	5/16 x 1" HEX BOLT	2	2.2.1	364-67-00-211	HOUSING COVER PLATE	1
2	364-66-01-000	1000 RPM FAN & COVER PLATE	1	2.2.2	R07774	7/16 x 1 1/4" GR 5 CARRIAGE BOLT	4
2.1	364-73-00-000	1000 RPM SHAFT & IMP. ASSY - CHT	1	2.2.3	R07879	7/16 FLANGE NUT	4
2.1.1	364-72-00-226	FAN SHAFT	1	2.3	357-59-00-000	BEARINGS & HOLDER KIT 2002	1
2.1.2	364-63-00-209	FAN BACK PLATE	1	2.4	R09785	"DANGER ROTATING DRIVELINE"	1
2.1.3	R20238	HARDENED SEAL SLEEVE	1			DECAL	

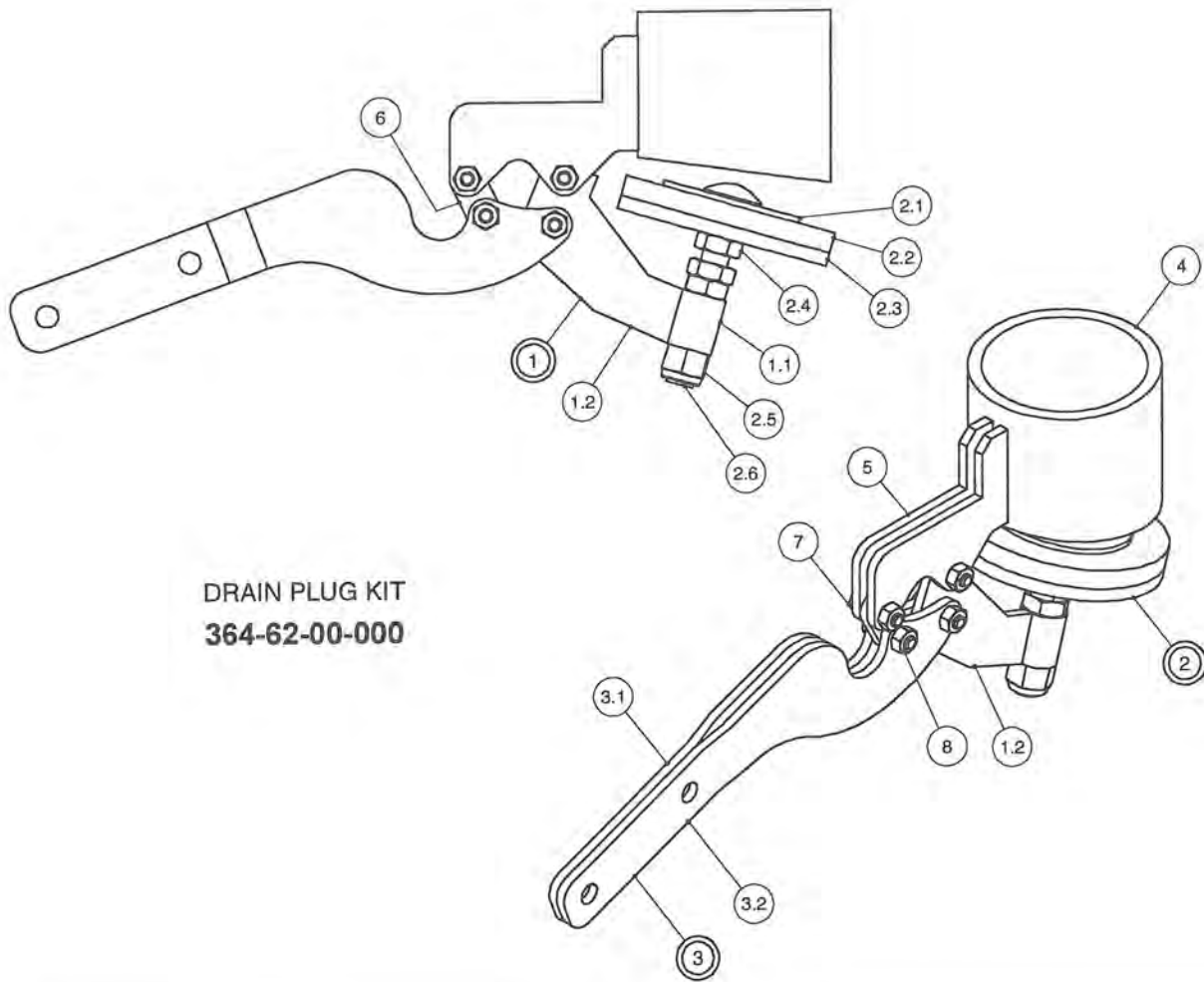
# BEARING HOLDER KIT



BEARING HOLDER KIT  
357-59-00-000

PARTS LIST			
ITEM	PART NUMBER	DESCRIPTION	QTY
1	357-59-01-000	BEARING HOLDER w/ CUPS KIT	1
1.1	357-59-02-000	BEARING BOX ASSY	1
1.1.1	364-61-00-192	SEAL TUBE BACK PLATE	1
1.1.2	364-61-00-191	BEARING TUBE	1
1.1.3	357-59-02-289	BEARING BOX GUSSET	4
1.2	R20113	LM501310 OUTER CUP	2
2	R20115	LM501349 OUTER CONE	2
3	364-00-00-212	STAKE NUT	1
4	364-00-00-332	SEAL TUBE KIT	1
5	R08188	1/4" NPT STRAIGHT GREASE FITTING	1
6	R08175	5/16 - 18 UNC x 1 3/4" CAP SCREW	2
7	R09787	GREASE DECAL	1
8	R21196	SL LIP SEAL 152833TB 1.5"	1
9	R21197	2.25 x 3.005 x .25 SEAL	3
10	R20238	HARDENED SEAL SLEEVE	1

## DRAIN PLUG KIT

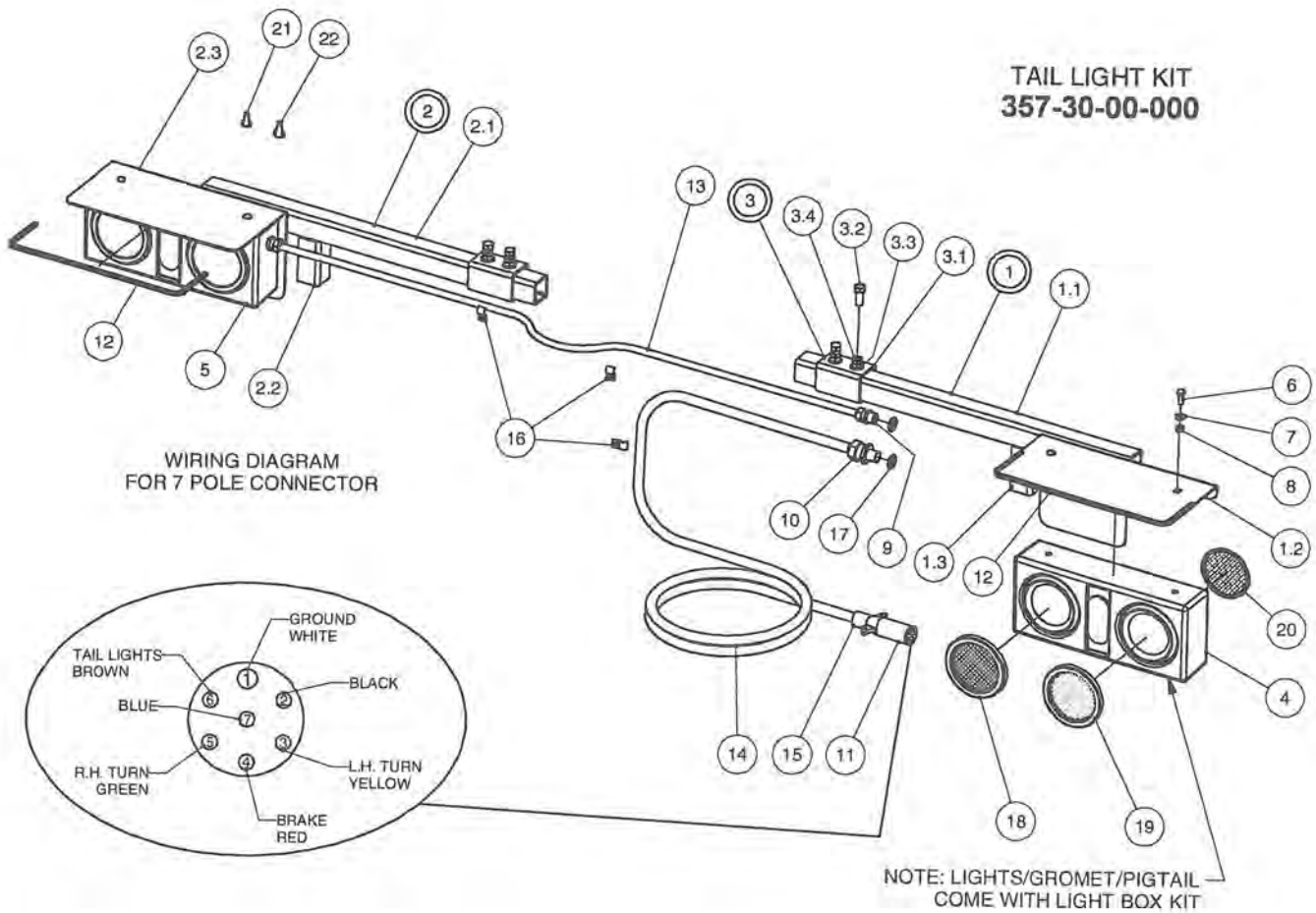


**DRAIN PLUG KIT**  
**364-62-00-000**

PARTS LIST			
ITEM	PART NUMBER	DESCRIPTION	QTY
1	364-62-01-000	DRAIN PLUG SLEEVE ASSY	1
1.1	364-62-01-201	SLEEVE	1
1.2	364-62-01-200	SLEEVE LINKAGE	1
2	364-62-05-000	DRAIN PLUG REPLACEMENT KIT	1
2.1	364-62-04-370	PLUG WASHER	1
2.2	364-62-02-204	RUBBER PLUG	1
2.3	364-62-02-203	PLUG PLATE	1
2.4	R08046	1/2 - 13 JAM NUT	3
2.5	R08219	1/2 UNC NYLOCK NUT	1
2.6	R08316	1/2 x 3 1/2" FULL THREAD CAR BOLT	1
3	364-62-03-000	HANDLE ASSY	1
3.1	364-62-03-206	LH HANDLE	1
3.2	364-62-03-207	RH HANDLE	1
4	364-01-03-110	DRAIN PIPE	1
5	364-62-00-199	PLUG HOUSING BRKT	2
6	364-62-00-205	SHORT LINKAGE	1
7	R08176	1/4 x 7/8" HEX BOLT	4
8	R08048	1/4" 2 WAY LOCK NUT	4

# TAIL LIGHT KIT

PARTS LIST				PARTS LIST			
ITEM	PART NUMBER	DESCRIPTION	QTY	ITEM	PART NUMBER	DESCRIPTION	QTY
1	357-30-01-000	RH LIGHT BAR ASSY	1	7	R07823	3/8 FLAT WASHER	4
1.1	357-30-01-171	LIGHT BAR	1	8	R07794	3/8 FLANGE NUT	4
1.2	357-30-01-172	RH LITE BOLT PLATE	1	9	R10193	1/2" NYLON TITE CONNECTOR	2
1.3	357-30-01-173	STUB BAR	1	10	R10357	3/4" NYLON TITE CONNECTOR	1
2	357-30-02-000	LH LIGHT BAR ASSY	1	11	R10095	7 POLE CONNECTOR	1
2.1	357-30-01-171	LIGHT BAR	1	12	357-30-00-311	SAFETY EDGING	2
2.2	357-30-01-173	STUB BAR	1	13	R04046	4-WIRE TRAILER CABLE - APPROX. 4M	1
2.3	357-30-02-245	LH LITE BOLT PLATE	1	14	R04235	14/6 TRAILER CABLE - APPROX. 10.5M	1
3	357-30-03-000	MOUNT BRKT ASSY	2	15	R09636	RUBBER BOOT	1
3.1	357-30-03-174	MOUNT BRKT	1	16	R21104	HYD. HOSE CLIPS	12
3.2	R07674	1/2 x 1 1/4 HEX BOLT	2	17	R10345	1/2" ELECTRICAL BOX LOCK NUT	3
3.3	R07795	1/2" UNC FLANGE NUT	2	18	R10087	RED LIGHT KIT	2
3.4	R08046	1/2 - 13 JAM NUT	2	19	R10347	AMBER LIGHT KIT w/ CLEAR BACK	2
4	R10349	RH LAMP BOX w/ 2 LAMPS	1	20	R10346	AMBER REPLACEMENT LENS	2
5	R10348	LH LAMP BOX w/ 2 LAMPS	1	21	R04343	#451 YELLOW WING NUT CONNECTOR	8
6	R07721	3/8 x 1 CARRIAGE BOLT	4	22	R04422	#452 RED WING NUT CONNECTOR	2



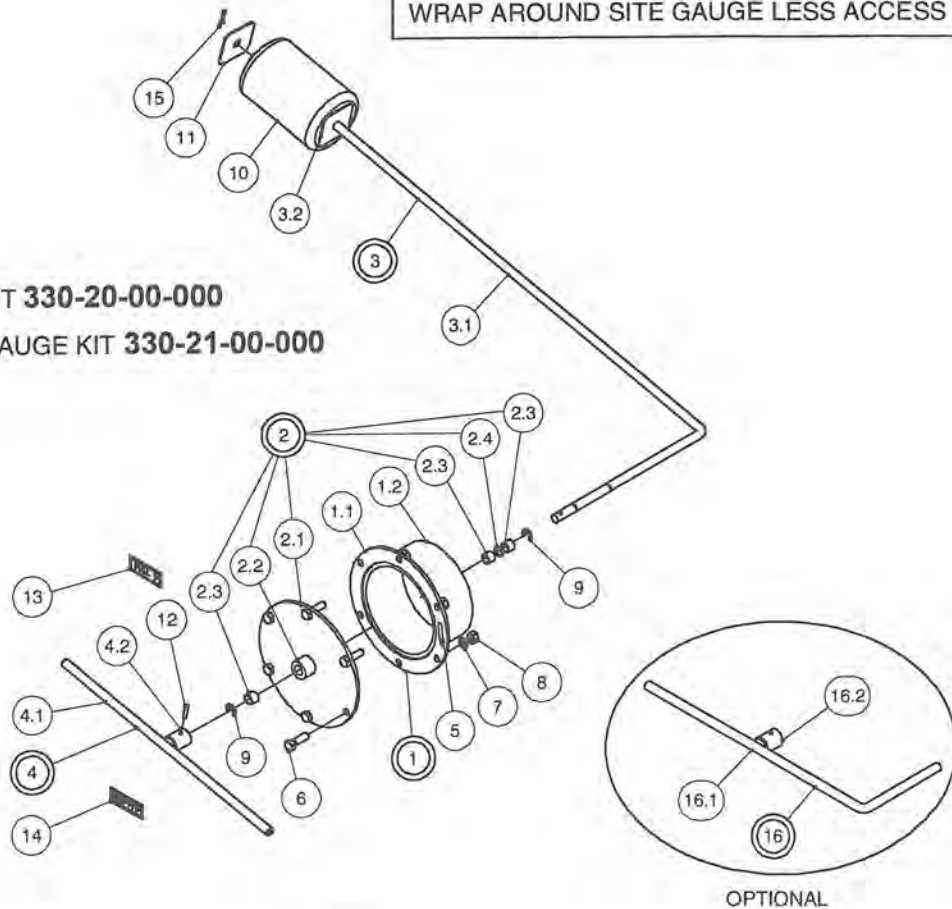
# SIGHT GAUGE KIT

PARTS LIST				PARTS LIST			
ITEM	PART NUMBER	DESCRIPTION	QTY	ITEM	PART NUMBER	DESCRIPTION	QTY
1	330-20-03-000	ACCESS TUBE ASSY	1	5	R04100	SILICONE SEALANT	1
1.1	330-20-03-560	ACCESS TUBE FLANGE	1	6	R07675	3/8 x 1 1/4" HEX BOLT	6
1.2	330-20-03-556	ACCESS TUBE	1	7	R07803	3/8 LOCK WASHER	6
2	330-20-04-000	COVER PLATE ASSY	1	8	R07783	3/8 HEX NUT	6
2.1	330-20-00-557	COVER PLATE	1	9	R07974	EXTERNAL RETAINING RING	2
2.2	330-20-04-562	BUSHING HOLDER	1	10	R09524	FLOAT	1
2.3	R21173	1/2 x 5/8 x 1/2" BRONZE BUSHING	3	11	330-20-01-552	FLOAT STRAPS	1
2.4	R20865	O-RING #11-014	1	12	R08241	3/16 x 1 SS ROLL PIN	1
3	330-20-01-000	FLOAT ARM ASSY	1	13	R09529	"FULL" DECAL	1
3.1	330-20-01-551	FLOAT ARM	1	14	R09530	"EMPTY" DECAL	1
3.2	330-20-01-552	FLOAT STRAPS	1	15	R08021	1/8 x 1 S.S. COTTER PIN	1
4	330-20-02-000	INDICATOR ARM ASSY	1	16	330-21-01-000	WRAP AROUND SITE ARM ASSY	1
4.1	330-20-02-554	INDICATOR ARM	1	16.1	330-19-46-546	WRAP AROUND SITE ARM	1
4.2	330-20-02-553	INDICATOR ARM HUB	1	16.2	330-20-02-553	INDICATOR ARM HUB	1

**330-22-00-000**  
SITE GAUGE LESS ACCESS TUBE

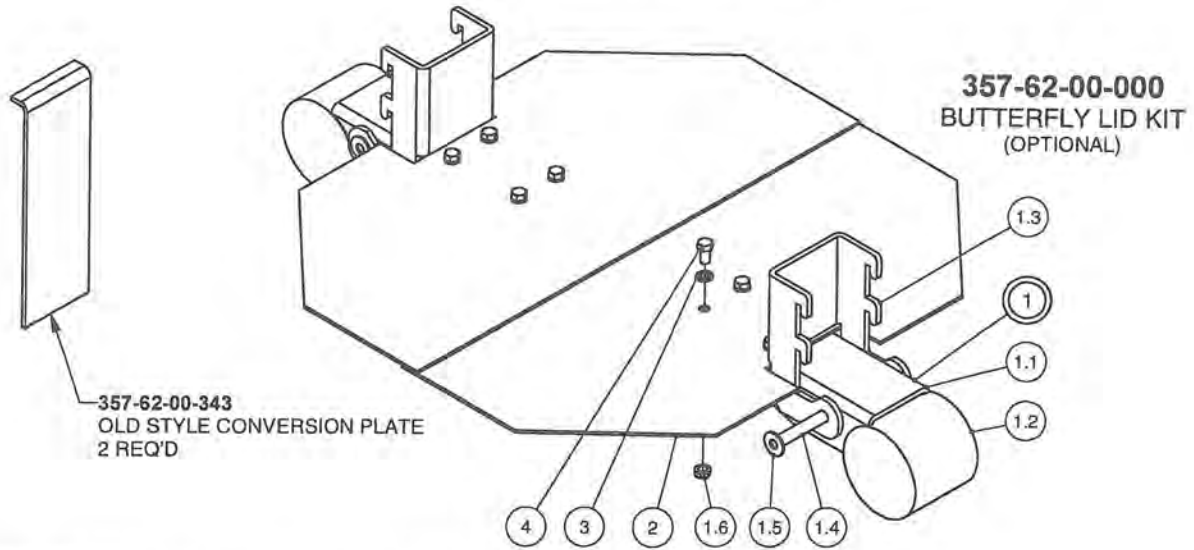
**330-23-00-000**  
WRAP AROUND SITE GAUGE LESS ACCESS TUBE

SIGHT GAUGE KIT **330-20-00-000**  
WRAP AROUND SIGHT GAUGE KIT **330-21-00-000**



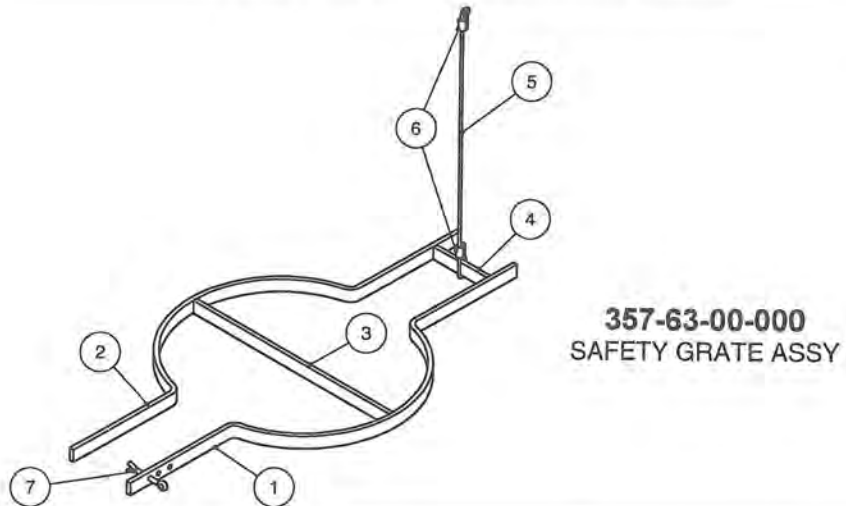


## BUTTERFLY LID & SAFETY GRATE



NOTE: WITH INSTALLATION OF A BUTTERFLY LID, A SAFETY GRATE MUST BE USED TO LOCK LID IN PLACE

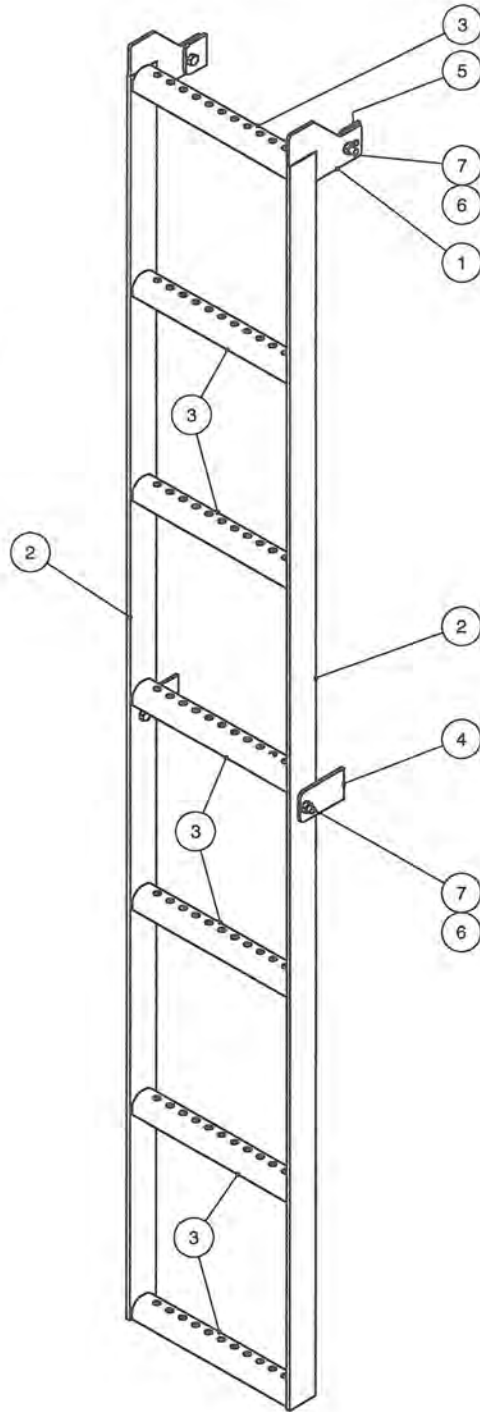
PARTS LIST				PARTS LIST			
ITEM	PART NUMBER	DESCRIPTION	QTY	ITEM	PART NUMBER	DESCRIPTION	QTY
1	357-62-01-000	BUTTERFLY HINGE KIT	2	1.5	R07824	7/16 FLAT WASHER	2
1.1	357-62-01-316	U - CHANNEL HINGE	1	1.6	R07794	3/8 FLANGE NUT	4
1.2	357-62-01-317	COUNTER WEIGHT	1	2	357-62-00-318	BUTTERFLY LID	2
1.3	357-62-01-319	DROP-IN HINGE	1	3	R08319	3/8 S.S. LOCK WASHER	8
1.4	357-62-01-315	HINGE PIN	1	4	R08317	3/8 x 3/4 S.S. HEX BOLT	8



PARTS LIST			
ITEM	PART NUMBER	DESCRIPTION	QTY
1	357-63-00-320	SAFETY BAR w/ HOLE	1
2	357-63-00-332	SAFETY BAR	1
3	357-63-00-321	CROSS SAFETY BAR	1
4	357-63-00-322	STOP BAR	1
5	357-63-00-331	SAFETY CABLE	1
6	R08068	1/8" ALUMINUM CRIMP SLEEVES	2
7	R08016	1/4 x 2 COTTER PIN	1

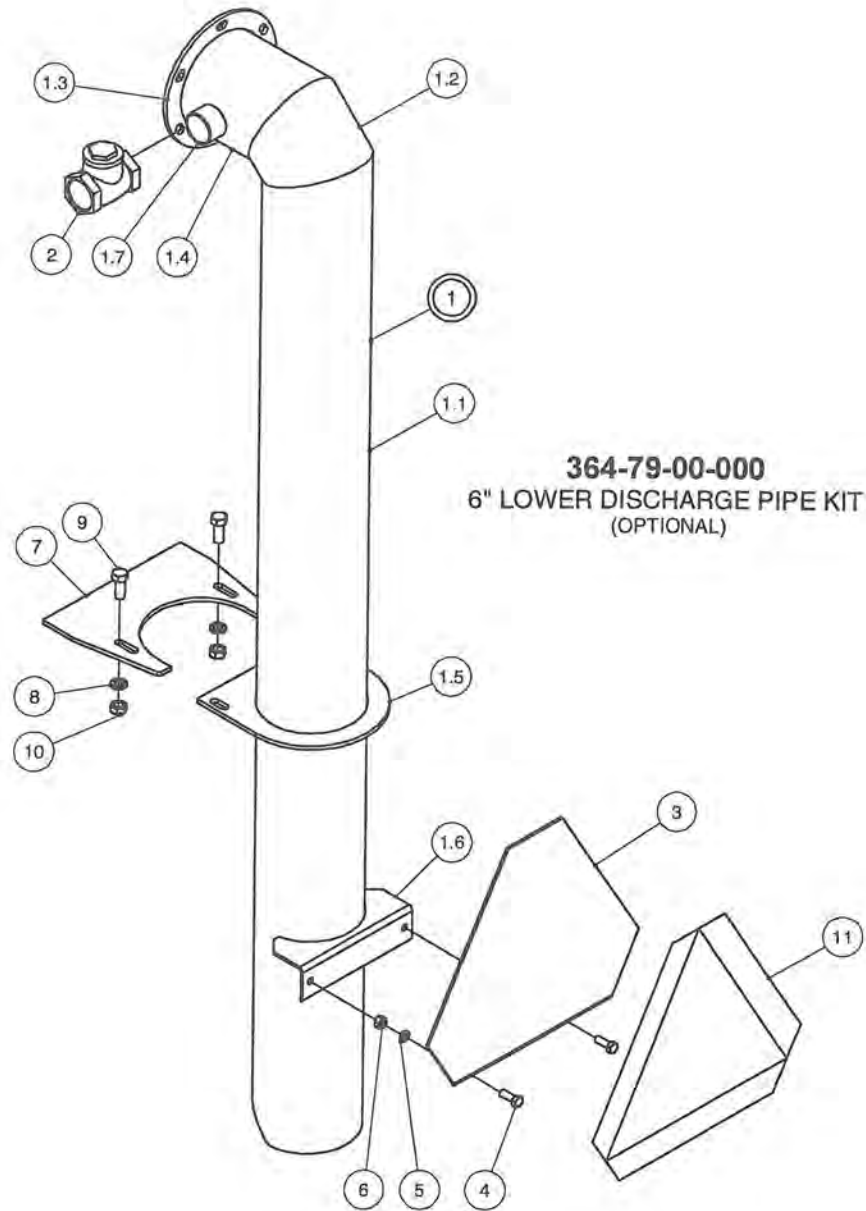
# SLIM LINE LADDER KIT

SLIM LINE LADDER KIT  
394-07-00-000



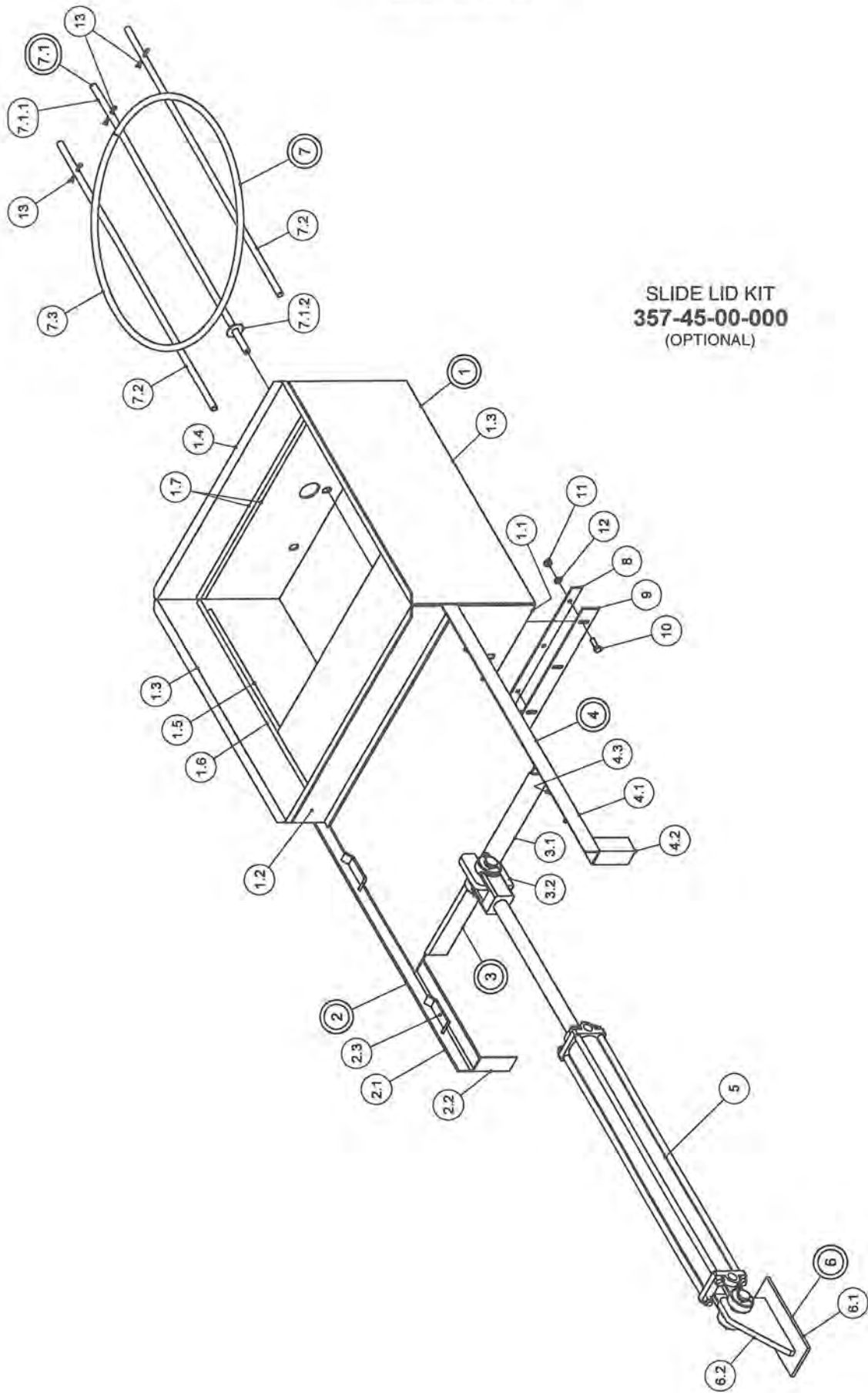
PARTS LIST			
ITEM	PART NUMBER	DESCRIPTION	QTY
1	364-95-00-326	LADDER LUG	2
2	394-07-00-057	LADDER SIDE	2
3	364-95-00-324	LADDER RUNG	7
4	364-00-00-414	TANK LUG	2
5	364-95-00-327	UPPER TANK LUG	2
6	R07794	3/8 FLANGE NUT	4
7	R07619	3/8 x 1 HEX BOLT	4

## LOWER DISCHARGE PIPE KIT



PARTS LIST				PARTS LIST			
ITEM	PART NUMBER	DESCRIPTION	QTY	ITEM	PART NUMBER	DESCRIPTION	QTY
1	364-79-01-000	6" DROP PIPE ASSY	1	3	200-00-00-132	S.M.V. SIGN HOLDER	1
1.1	364-79-01-295	LONG DROP PIPE	1	4	R07619	3/8 x 1 HEX BOLT	2
1.2	364-19-00-082	DISCHARGE PIPE CORNER PC	1	5	R07803	3/8 LOCK WASHER	2
1.3	364-19-00-087	DISCHARGE PIPE FLANGE	1	6	R07783	3/8 HEX NUT	2
1.4	364-79-01-296	SHORT HORIZONTAL PIPE	1	7	384-05-03-070	TANK BRKT	1
1.5	384-05-02-069	TUBE ATTACHMENT BRKT	1	8	R07805	1/2 LOCK WASHER	2
1.6	308-77-00-226	S.M.V. SIGN HOLDER	1	9	R07674	1/2 x 1 1/4 HEX BOLT	2
1.7	R02127	1 1/2 CLOSE NIPPLE	1	10	R07785	1/2 HEX NUT	2
2	R02490	1 1/2" CHECK VALVE	1	11	R09501	SLOW MOVING VEHICLE DECAL	1

# SLIDE LID KIT



SLIDE LID KIT  
**357-45-00-000**  
(OPTIONAL)

## SLIDE LID KIT CON'T

PARTS LIST			
ITEM	PART NUMBER	DESCRIPTION	QTY
1	357-45-01-000	MANHOLE ASSY	1
1.1	357-45-01-204	FRONT LOWER PANEL	1
1.2	357-45-01-205	FRONT UPPER PANEL	1
1.3	357-45-01-202	SIDES	2
1.4	357-45-01-203	REAR PANEL	1
1.5	357-45-01-257	SIDE LOWER GUIDE BARS	2
1.6	357-45-01-206	SIDE UPPER GUIDE BARS	2
1.7	357-45-01-207	REAR GUIDE BAR	2
2	357-45-02-000	RH SLIDE RAIL ASSY	1
2.1	357-45-02-209	SLIDE RAIL	1
2.2	357-45-02-210	SLIDE RAIL LEG	1
2.3	357-45-01-208	LOWER GUIDE	2
(3)	357-45-05-000	LID ASSY - AIR	*
3	357-45-03-000	LID ASSY - HYDRAULIC	1
3.1	357-45-03-213	SLIDE LID	1
3.2	357-45-03-214	SLIDE LID LUG	1
(3.2)	357-45-05-242	SLIDE LID LUG - AIR	*
4	357-45-04-000	LH SLIDE RAIL ASSY	1
4.1	357-45-02-209	SLIDE RAIL	1
4.2	357-45-02-210	SLIDE RAIL LEG	1
4.3	357-45-01-208	LOWER GUIDE	2
5	R22162	2 x 24 HYDRAULIC CYLINDER	1
(5)		AIR CYLINDER	*
(6)	357-45-06-000	TANK LUG ASSY FOR AIR CYLINDER	*
6	357-45-07-000	TANK LUG ASSY FOR HYD CYLINDER	1
6.1	368-54-02-425	CYLINDER BRKT BASE PLATE	1
6.2	357-45-07-254	TANK LUG FOR HYD CYLINDER	1
(6.2)	357-45-06-243	TANK LUG FOR AIR CYLINDER	*
7	357-45-09-000	SAFETY GRATE ASSY	1
7.1	357-45-08-000	SAFETY BAR ASSY	1
7.1.1	357-45-08-274	SAFETY BAR	1
7.1.2	R08320	1/2 S.S. FLAT WASHER	1
7.2	357-45-08-274	SAFETY BAR	2
7.3	357-45-09-314	SAFETY RING	1
8	357-45-00-211	STRAP	1
9	357-45-00-212	RUBBER	1
10	R07611	5/16 x 1" HEX BOLT	5
11	R07782	5/16 HEX NUT	5
12	R07802	5/16 LOCK WASHER	5
13	R08207	5/32 x 1 1/2 S.S. COTTER PIN	3



# HYDRAULIC DIRECT DRIVE KIT

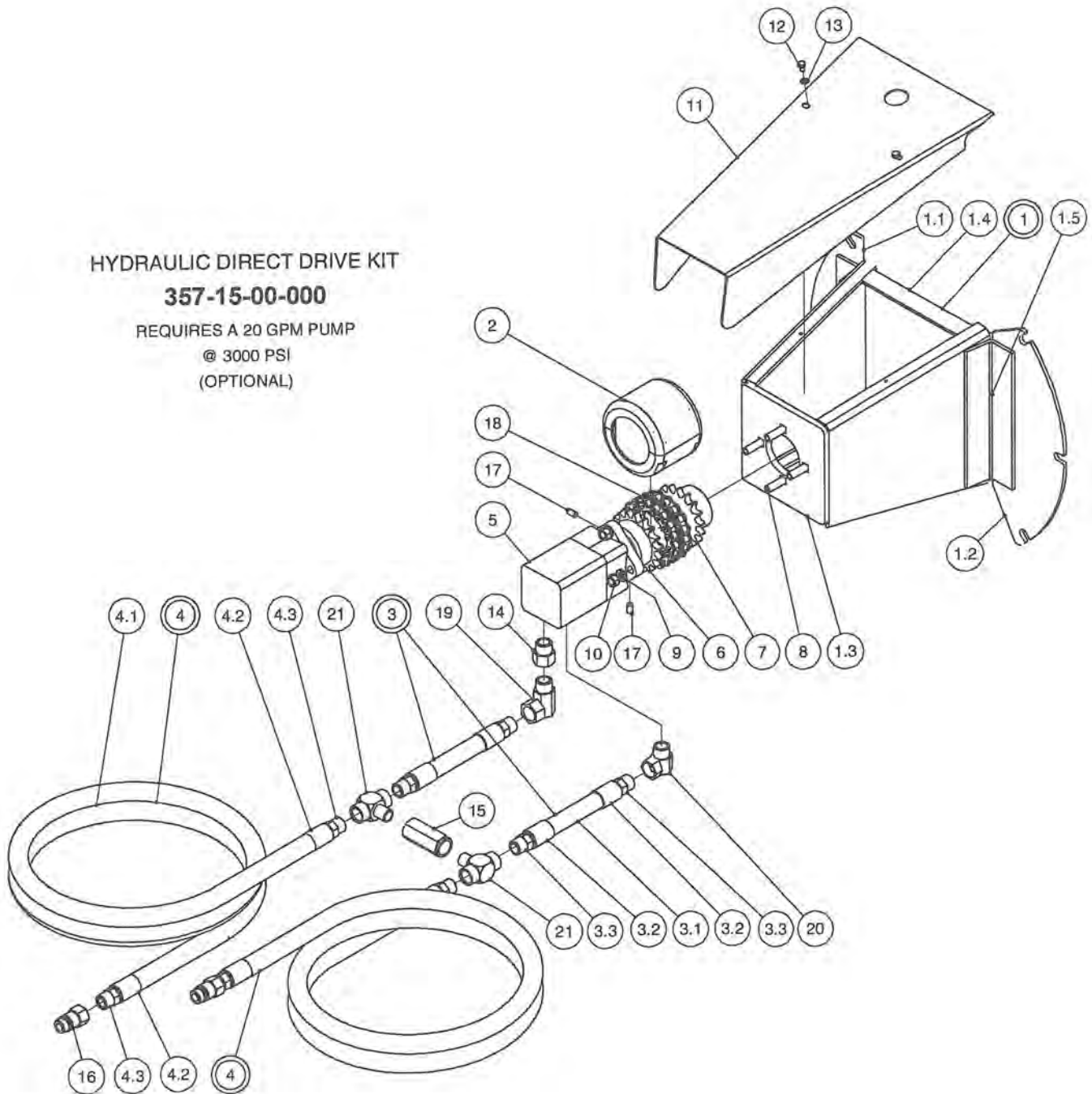
## HYDRAULIC DIRECT DRIVE KIT

**357-15-00-000**

REQUIRES A 20 GPM PUMP

@ 3000 PSI

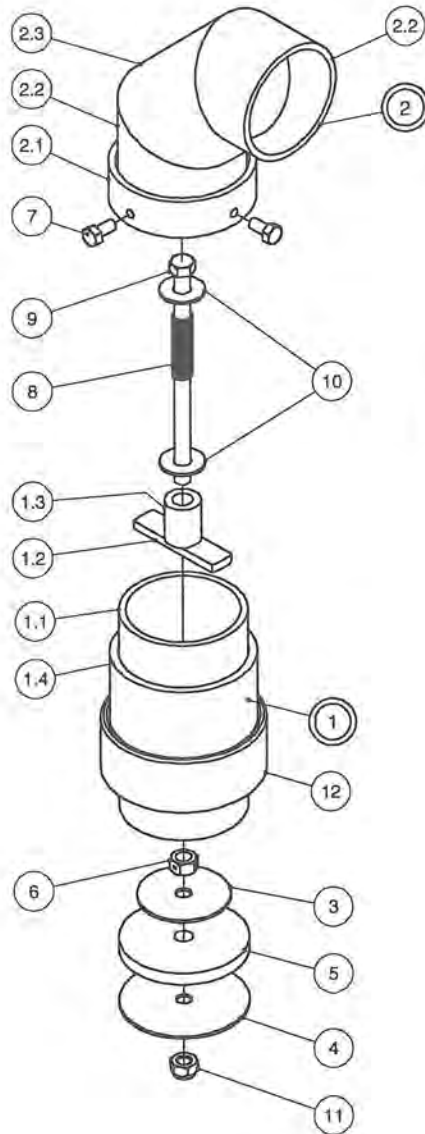
(OPTIONAL)



## HYDRAULIC DIRECT DRIVE KIT CON'T

PARTS LIST			
ITEM	PART NUMBER	DESCRIPTION	QTY
1	384-02-01-000	DIRECT HYD DRIVE MOUNT PL ASSY	1
1.1	384-02-01-002	R.H. EXTENSION PLATE	1
1.2	384-02-01-003	L.H. EXTENSION PLATE	1
1.3	384-02-01-004	MOTOR MOUNT PLATE	1
1.4	384-02-01-012	REINFORCING STRAP	2
1.5	384-18-01-275	REINFORCING ANGLE	2
2	R20617	60 - 18 COUPLING COVER	1
3	364-48-32-000	3/4" HYD HOSE ASSY	2
3.1	364-48-32-187	3/4" HYD HOSE ASSY	1
3.2	R20824	3/4" FERRULE	2
3.3	R21241	3/4" MALE SOLID STEM	2
4	364-48-24-000	3/4" HYD HOSE ASSY	2
4.1	364-48-24-163	3/4" HYDRAULIC HOSE	1
4.2	R20824	3/4" FERRULE	2
4.3	R21241	3/4" MALE SOLID STEM	2
5	R21422	MS160 HYDRAULIC MOTOR	1
6	384-02-00-007	60B - 18 SPR.-1 1/4" STR SHAFT	1
7	384-02-00-072	SPROCKET FOR 6 TOOTH SPLINE	1
8	R07744	1/2" x 2 CARRIAGE BOLT	4
9	R07805	1/2 LOCK WASHER	4
10	R07785	1/2 HEX NUT	4
11	384-02-00-005	GUARD	1
12	R07698	1/4 x 1/2 HEX BOLT	2
13	R07801	1/4 LOCK WASHER	2
14	R20815	7/8-14 SAE M x 3/4" ADAPTOR	1
15	R21202	3/4" NPT IN-LINE CHECK VALVE	1
16	R21338	3/4" PIONEER TIP	2
17	R07911	3/8 x 3/4" SET SCREW	2
18	R20883	60-18 COUPLING CHAIN	1
19	R21332	3/4M x 3/4F NPT 90 SWIVEL ADAPTOR	1
20	R21323	7/8" x 3/4" NPT SWIVEL ADAPTOR	1
21	R21393	3/4" HYDRAULIC TEE	2

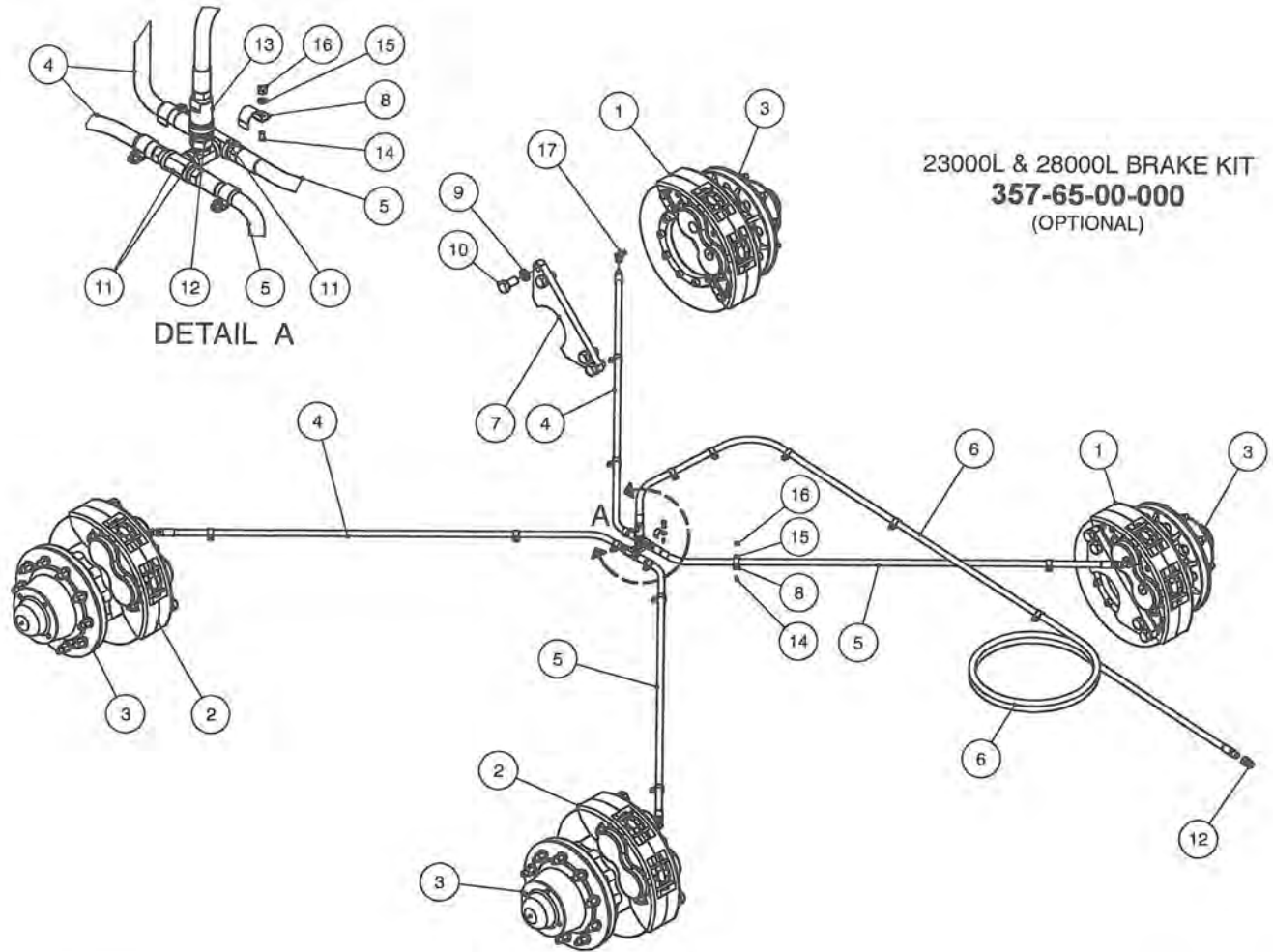
# TANK VENT KIT



**TANK VENT KIT**  
**357-51-00-000**  
(OPTIONAL)

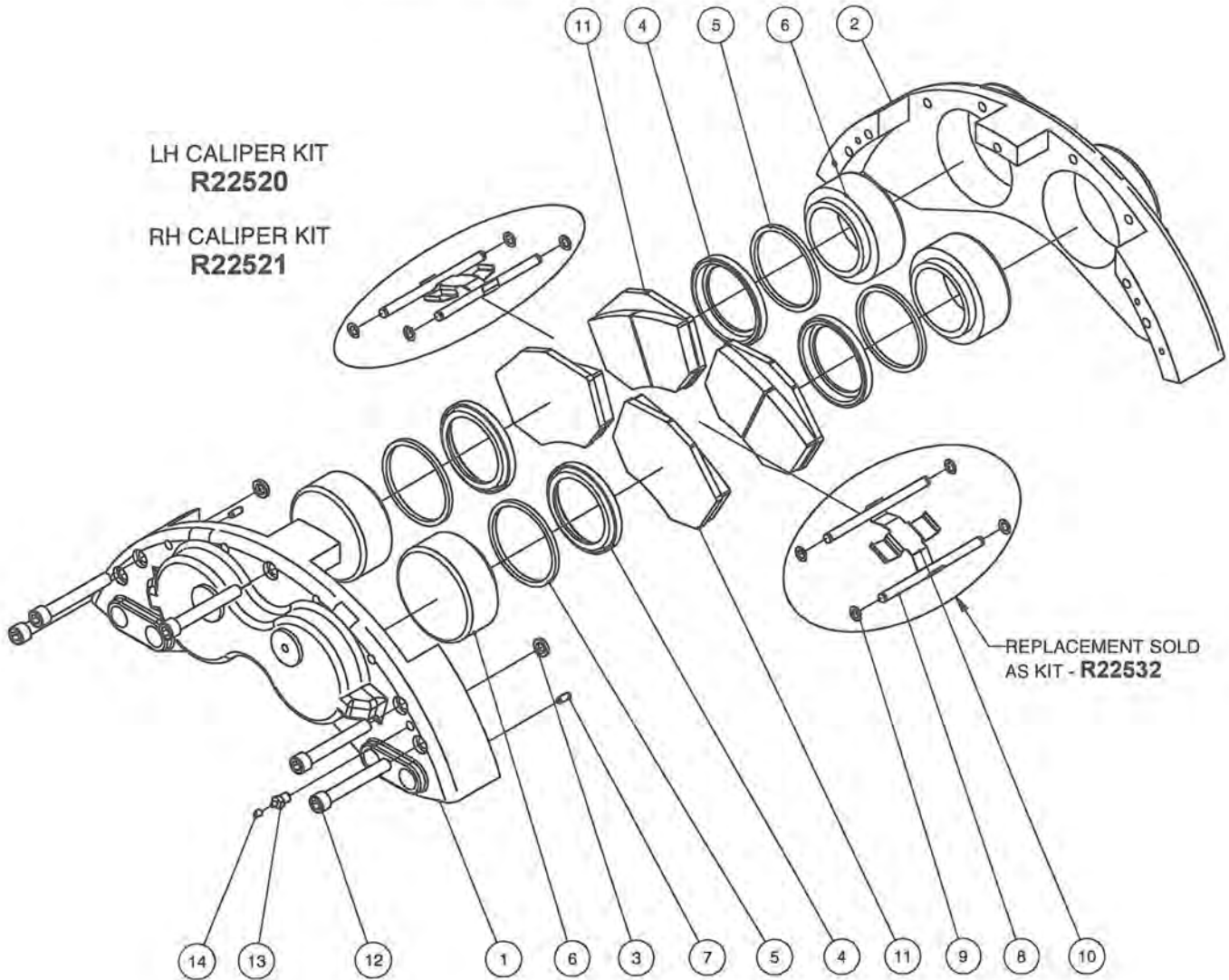
PARTS LIST				PARTS LIST			
ITEM	PART NUMBER	DESCRIPTION	QTY	ITEM	PART NUMBER	DESCRIPTION	QTY
1	357-51-01-000	VENT TUBE ASSY	1	4	357-51-00-258	LOWER STAINLESS STEEL WASHER	1
1.1	357-51-01-246	VENT TUBE	1	5	357-51-00-334	RUBBER PLUG	1
1.2	357-51-01-247	VENT STRAP	1	6	R07891	7/16 2-WAY LOCK NUT	1
1.3	357-51-01-248	INNER SLIDE TUBE	1	7	R07690	5/16 x 5/8 HEX BOLT	2
1.4	357-51-01-335	OUTER NIPPLE	1	8	357-51-00-249	SPRING	1
2	357-51-02-000	CAP ASSY	1	9	R07689	7/16 x 7 HEX BOLT	1
2.1	357-51-02-251	SLEEVE	1	10	R07833	7/16" SAE FLAT WASHER	2
2.2	357-51-02-252	ELBOW SECTION	2	11	R08178	7/16 NYLOCK HEX NUT	1
2.3	357-51-02-253	ELBOW MIDDLE SECTION	1	12	R02969	3 1/2" HALF COUPLER	1
3	357-51-00-250	STAINLESS STEEL WASHER	1				

## 23000L & 28000L BRAKE KIT



PARTS LIST			
ITEM	PART NUMBER	DESCRIPTION	QTY
1	R22520	KNOTT LH CALIPER ASSY	2
2	R22521	KNOTT RH CALIPER ASSY	2
3	357-65-01-000	HUB, SPACER & DISC KIT-25000	4
4	357-65-03-000	1/2" REAR BRAKE HOSE ASSY	2
5	357-65-04-000	HYDRAULIC BRAKE HOSE ASSY-FRONT	2
6	357-65-05-000	MAIN BRAKE LINE ASSY-1/2" TO TRACTOR	1
7	357-00-00-313	KNOTT BRAKE MT PLATE-25000LB HUB	4
8	R09778	3/4 DIAMETER STRAP	17
9	R07808	1" LOCK WASHER	16
10	R07661	1"-8 UNC X 2" HEX BOLT	16
11	R21217	1/2" HYD TEE - F x F x M	3
12	R21342	1/2" MALE PIONEER TIP	2
13	R21340	1/2" FEMALE PIONEER END	1
14	R08301	1/4 x 20 UNC x 1/2" WELD STUD	17
15	R07801	1/4 LOCK WASHER	17
16	R07781	1/4 HEX NUT	17
17	R21212	9/16"SAE X 1/2"NPT SW ADAPTOR	4

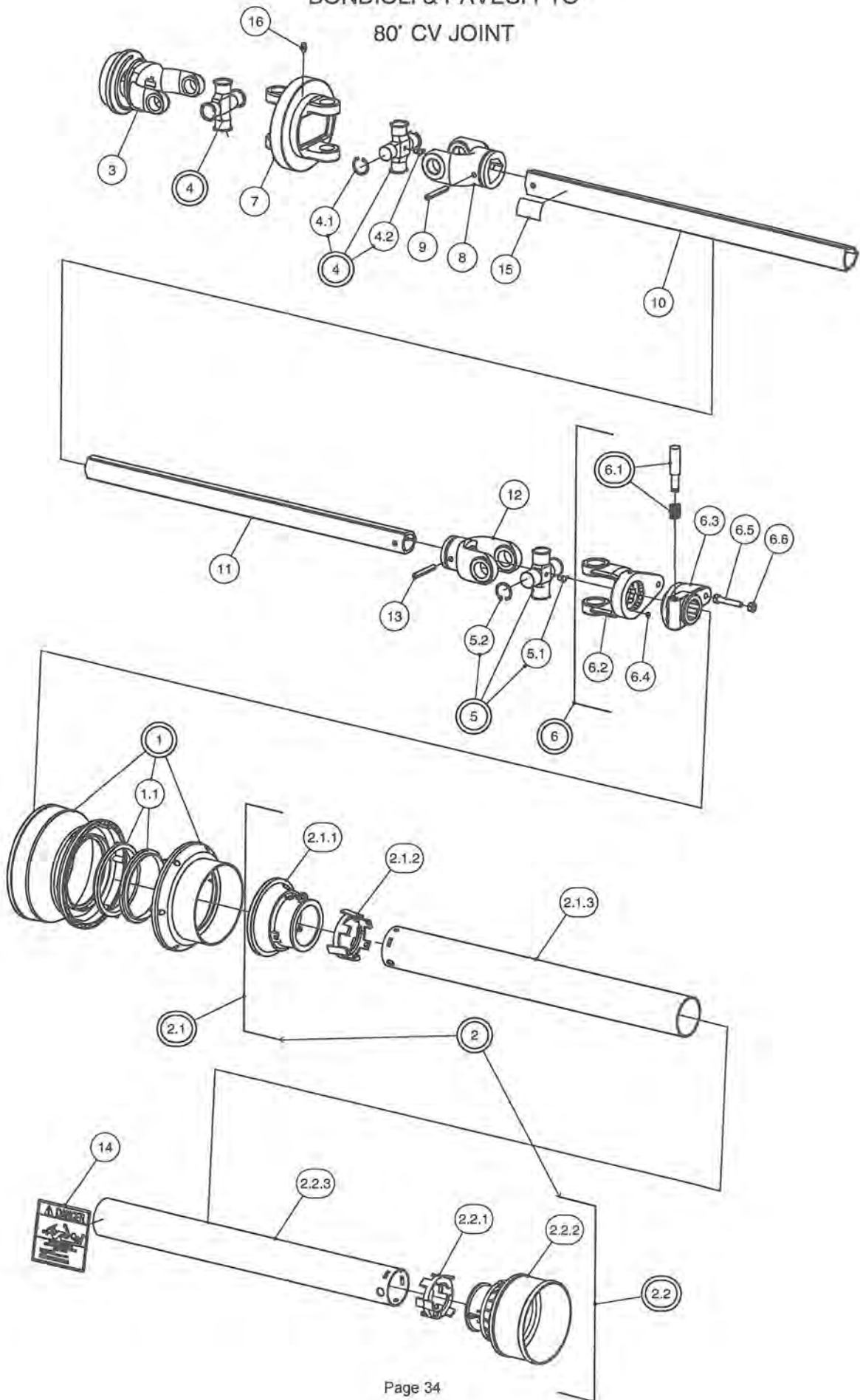
## KNOTT - 4X85 HYDRAULIC FIXED CALIPER



PARTS LIST				
ITEM	PART NUMBER	KNOTT PART #	DESCRIPTION	QTY
1	NOT SOLD SEPARATELY	850126-011/012	CALIPER HOUSING A, MACHINED	1
2	NOT SOLD SEPARATELY	850184-010	CALIPER HOUSING B, MACHINED	1
3	R22557	850191-010	SEAL,SQUARE,CALIPER	2
4	R22552	35385	DUST RING	4
5	R22551	35383.02	SEAL,SQUARE,PISTON	4
6	R22561	850153-020	PISTON	4
7	R22564	850150-010	DOWEL PIN	2
8	NOT SOLD SEPARATELY	800506-010	RETAINER ROD	4
9	NOT SOLD SEPARATELY	850173-010	FASTENER E-CLIP	8
10	NOT SOLD SEPARATELY	850143-020	SPRING PAD	2
11	R22523	850181-010	BRAKE PAD	4
12	R08415	850132-040	FASTENER, SOCKET HEAD CAP SCREW	5
13	R22562	45559	BLEEDER	1
14	R22563	44129.02	BLEEDER CAP	1



BONDIOLI & PAVESI PTO  
80' CV JOINT



BONDIOLI & PAVESI PTO  
80' CV JOINT - FOR LONG TONGUE  
(ELITE & SLIM LINE SPREADERS)

- R21582 540 RPM 6 TOOTH
- R21583 1000 RPM 21 TOOTH
- R21584 1000 RPM 20 TOOTH - 1 3/4"

PARTS LIST				
ITEM	MFG #	PART NUMBER	DESCRIPTION	QTY
1	517048001	R21703	COMPLETE SHELL	1
1.1	255040351	R21702	RING NUT DOWELS	2
2	5F04121E1654	R21711	SAFETY GUARD	1
2.1	5FE4121E1654	R21709	HALF SAFETY GUARD	1
2.1.1	254040024	R21697	O. BASIC CONES N3-4	1
2.1.2	255040005	R21696	O. BEARING 3-4	1
2.1.3	236681007	R21698	CM SAFETY TUBE	1
2.2	5F14121FF	R21710	HALF SAFETY GUARD	1
2.2.1	255040006	R21701	I. BEARING 3-4	1
2.2.2	517040061	R21700	I. CONE SET N3-4	1
2.2.3	236671007	R21699	CM SAFETY TUBE	1
3		R22204	#4 1 3/8" CV YOKE-21T SLIDING COLLAR YOKE	1
		R22203	#4 1 3/8" CV YOKE-6T SLIDING COLLAR YOKE	*
		R22205	#4 1 3/4" CV YOKE-20T SLIDING COLLAR YOKE	*
4	4120440012	R21682	CROSS JOURNAL ASSY	2
4.1	338009000	R21694	CIRCLIP	4
4.2	348004000	R21655	GREASE NIPPLE 45 DEG	1
5	41204	R21693	CROSS JOURNAL ASSY	1
5.1	348004000	R21655	GREASE NIPPLE 45 DEG	1
5.2	338017000	R21694	CIRCLIP	4
6	606404001	R21473	TORQUE LIM SB 4/4	1
6.1	401000001	R21451	COMPLETE PUSH BUTTON	1
6.2	213040020	R21704	SHEAR YOKE	1
6.3	513070324	R21706	HUB c/w QUICK DISCONNECT	1
6.4	362002000	R21705	1/4" BALL	23
6.5	432000047	R08251	M8 x 1.25 x 45 HEX BOLT	1
6.6		R08252	M8 x 1.25 LOCK NUT	1
7	511040051	R21685	CENTRAL BODY	1
8	215046854	R21686	YOKE	1
9	341038000	R21475	FLEXIBLE PIN	1
10	255311060	R21689	CARDAN TUBE	1
11	245101060	R21690	CARDAN TUBE CM	1
12	204046852	R21472	INNER TUBE YOKE	1
13	341048000	R21476	FLEXIBLE PIN	1
14		R21521	"ROTATING DRIVE LINE" DECAL	1
15		R21523	"SHIELD MISSING" DECAL	1
16	348017000	R21687	GREASE NIPPLE	1