

July 8, 2004  
Office Copy  
July 8, 17 mod  
Oct 4/04-8"

Date Purchased \_\_\_\_\_ Machine Serial No. \_\_\_\_\_  
Size of Spreader \_\_\_\_\_ Options \_\_\_\_\_

PLEASE NOTE:

The key number system in this parts book is arranged as follows:

- -- Key numbers with one circle are individual parts.
- ⊙ -- Key numbers with two circles denotes main assemblies.

Please order parts by number

**MODEL "E" TRUCK MOUNT  
12000 LITRE  
LIQUID MANURE SPREADER**

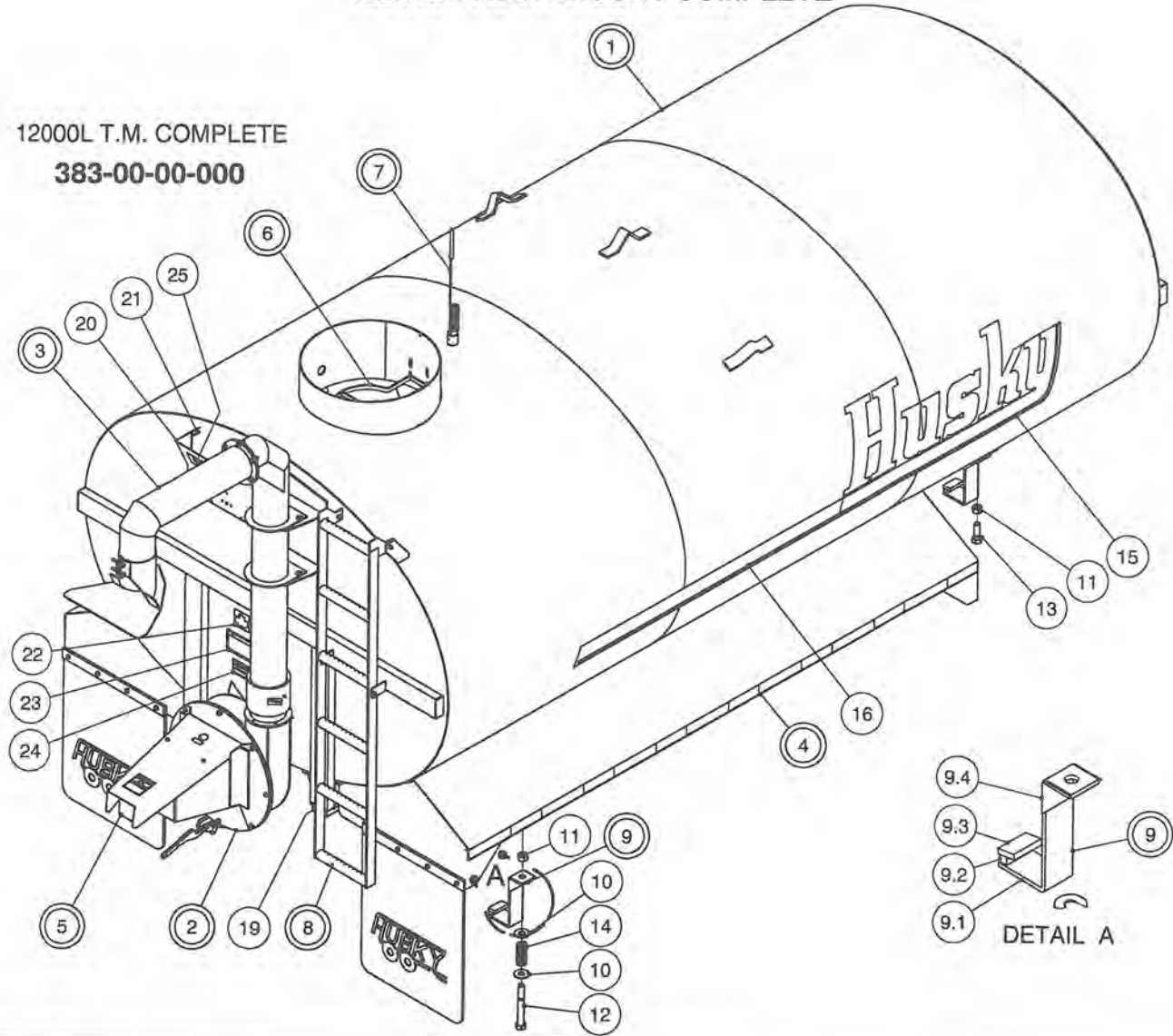
Operating and Safety Instruction:

1. After using spreader in freezing conditions make sure impeller housing is drained.
2. Wash tank inside and out each time work is finished. This will increase life of tank by many years.
3. Much of the fertilizer value of manure is lost when exposed to air. Getting the manure covered quickly is a very important part of spreading manure.
4. If rustproof coating on interior shows signs of deterioration, have interior repainted. This can be done with a roller or brush. This helps to increase the life of your spreader. It is a valuable maintenance procedure.
5. Make sure all moving parts are shielded to prevent coming in contact with loose clothing.
6. Never enter a tanker without special breathing equipment to supply oxygen. Manure gases can kill instantly. One breath of Hydrogen Sulphide can kill.



# 12000L TRUCK MOUNT COMPLETE

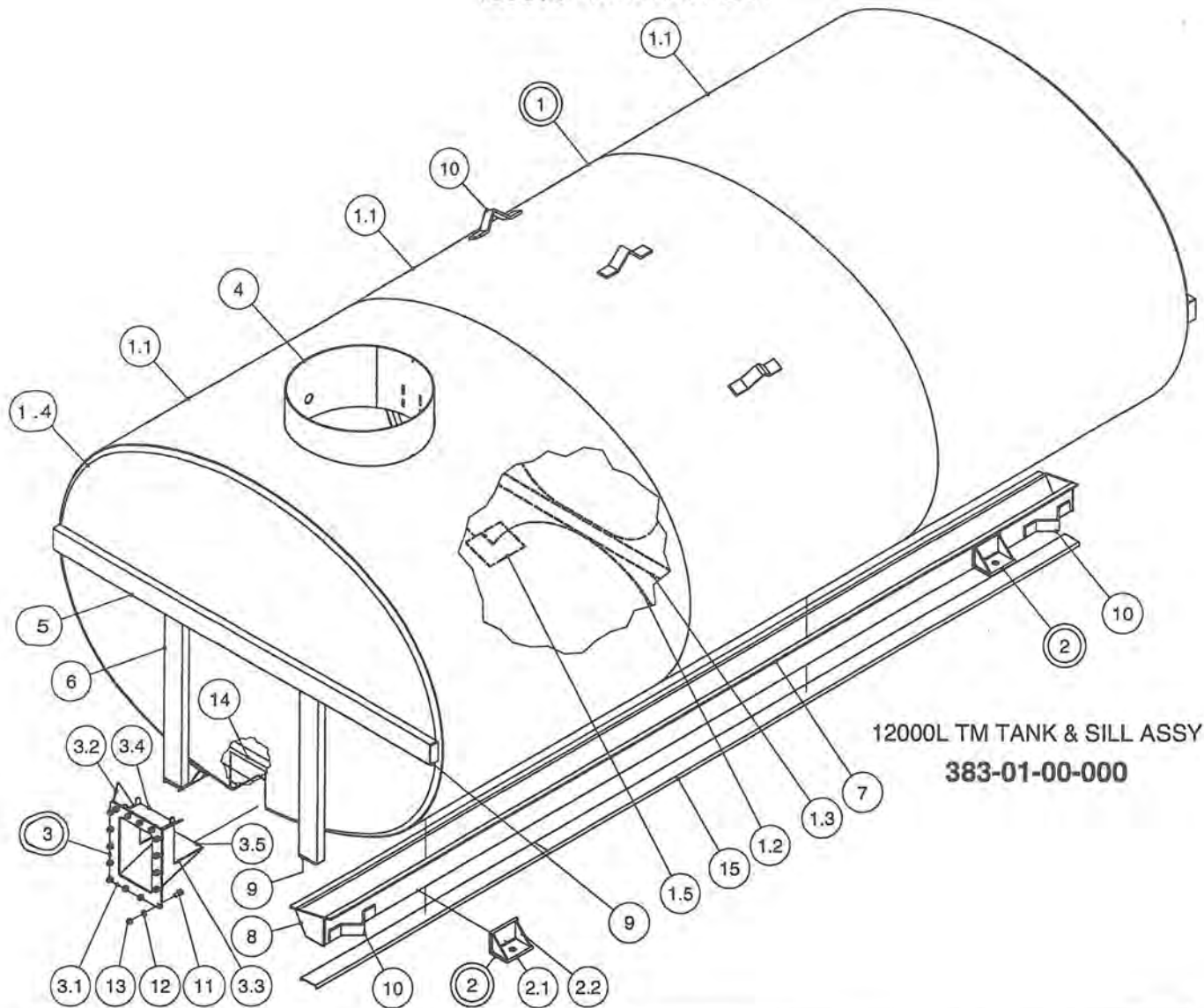
12000L T.M. COMPLETE  
383-00-00-000



## PARTS LIST

ITEM	PART NUMBER	DESCRIPTION	QTY
1	383-01-00-000	12000L TANK, SILL, FUNNEL ASSY	1
2	364-23-01-000	540 FAN & HOUSING KIT	1
3	383-04-00-000	6" REAR DISCHARGE KIT	1
4	327-29-00-000	12000L FENDER KIT-NO LIGHTS-8FT O/A	1
5	384-02-00-000	HYDRAULIC DIRECT DRIVE KIT	1
6	357-63-00-000	SAFETY BAR ASSY	1
7	340-62-00-000	INDICATOR KIT	1
8	364-95-00-000	LADDER ASSY	1
9	316-24-00-000	HOLD DOWN ASSY	1
9.1	316-24-00-044	BRKT MAIN PC	1
9.2	316-24-00-045	SPACER BAR	1
9.3	316-24-00-046	HOLD DOWN RETURN	1
9.4	316-24-00-047	GUSSET	1
10	R07828	1" FLAT WASHER	2
11	R08246	1" - 8 UNC NYLOCK HEX NUT	4
12	R07669	1 x 8" HEX BOLT	2
13	R07663	1 x 3" HEX BOLT	2
14	R08034	HP 88 1 x 4 SPRING	2
15	R09510	"HUSKY" DECAL	2
16	R09511	ACCENT STRIP	2
17	R08152	6 x 1/4 PAN HD SOCKET SCREW	2
18	R09071	SERIAL NUMBER PLATE	1
19	384-00-00-106	SILL RUBBER	2
20	372-00-00-045	STICKER PLATE	1
21	372-00-00-046	STICKER PLATE BRKT	2
22	R09509	"MADE IN CANADA" DECAL - LARGE	1
23	R09784	"DANGER TOXIC GAS" DECAL	1
24	R09512	CAPACITY DECAL	1
25	R09502	"HUSKY" DECAL	1

# 12000L TM TANK ASSY

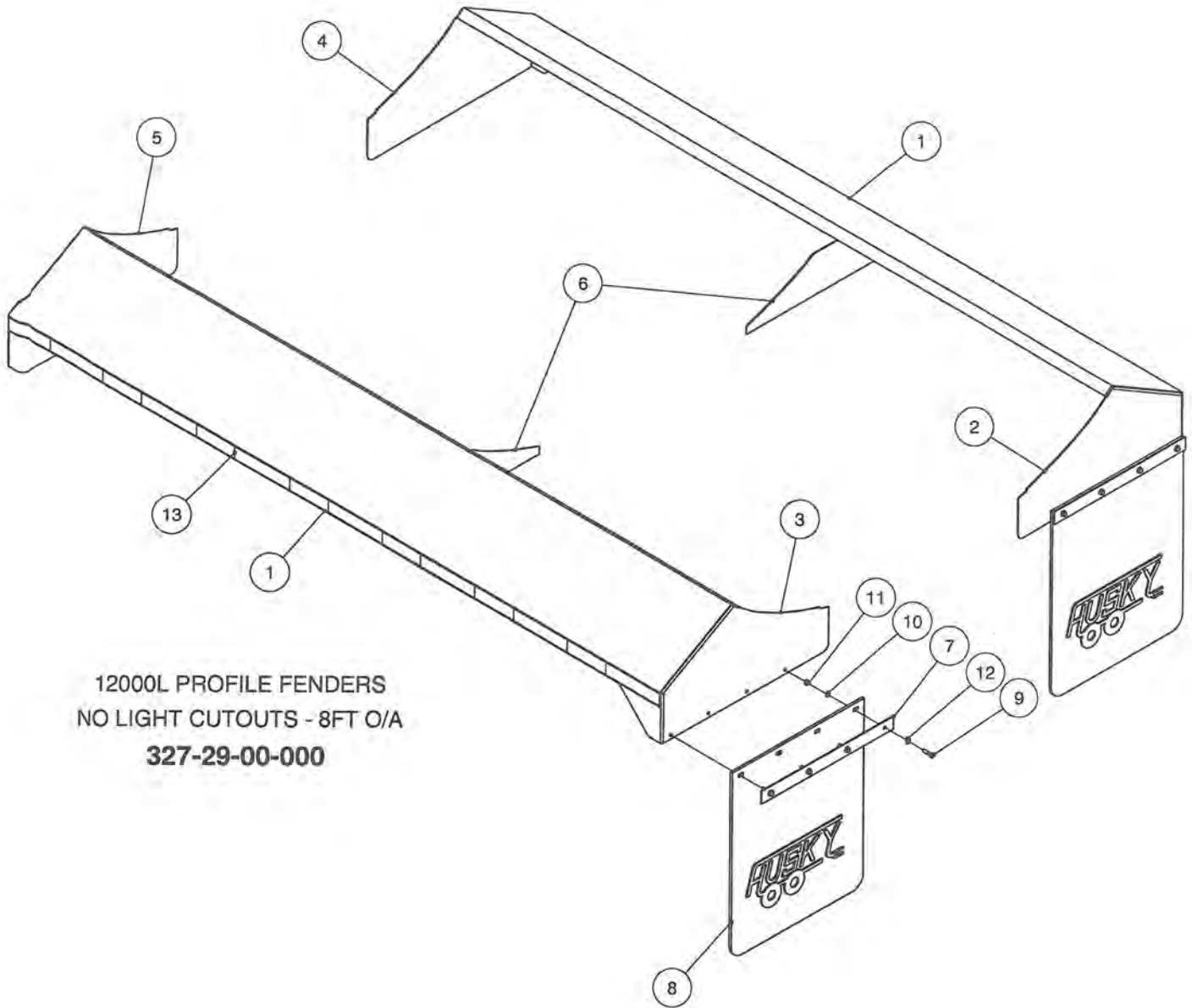


**12000L TM TANK & SILL ASSY**  
**383-01-00-000**

## PARTS LIST

ITEM	PART NUMBER	DESCRIPTION	QTY
1	326-88-25-000	12000L TANK ASSY	1
1.1	326-88-25-278	12000L TANK SHELL	3
1.2	326-88-25-279	12000L BAFFLE	1
1.3	326-88-25-571	12000L PROFILE BAFFLE REIN. BAR	2
1.4	326-88-25-277	12000L FLANGED END	2
1.5	340-01-01-559	BAFFLE REINFORCING PLATE	2
2	316-22-00-000	HOLD DOWN BRKT ASSY	4
2.1	316-22-00-012	HOLD DOWN ANGLE BRKTS	1
2.2	316-22-00-035	HOLD DOWN ANGLE GUSSET	2
3	364-82-00-000	FLANGED TANK OUTLET	1
3.1	364-81-02-393	HOUSING FLANGE	1
3.2	364-82-00-395	LH OUTLET SIDE PC	1
3.3	364-82-00-396	RH OUTLET SIDE PC	1
3.4	364-01-03-104	OUTLET TOP PC	1
3.5	364-01-03-105	OUTLET BOTTOM PC	1
4	364-02-00-006	24" MANHOLE	1
5	326-88-00-280	TANK END STIFFENER	2
6	327-15-00-050	VERTICAL REINFORCING CHANNEL	4
7	327-15-00-027	12000L TRUCK MOUNT SILL	2
8	327-15-00-028	SILL CAP	4
9	330-66-00-258	STIFFENER END CAP	8
10	300-01-00-012	TANK LIFT HOOK	7
11	R07664	1/2 x 1 1/4" HEX BOLT	16
12	R07805	1/2 LOCK WASHER	16
13	R07785	1/2 HEX NUT	16
14	384-01-00-246	INSIDE CROSS SUPPORT CHANNEL	1
15	384-00-00-084	SILL CHANNEL	3
16	340-01-00-498	SERIAL NO. BACK PLATE - NOT SHOWN IN DWG - LOCATED AT FRONT LH SIDE OF SILL	1

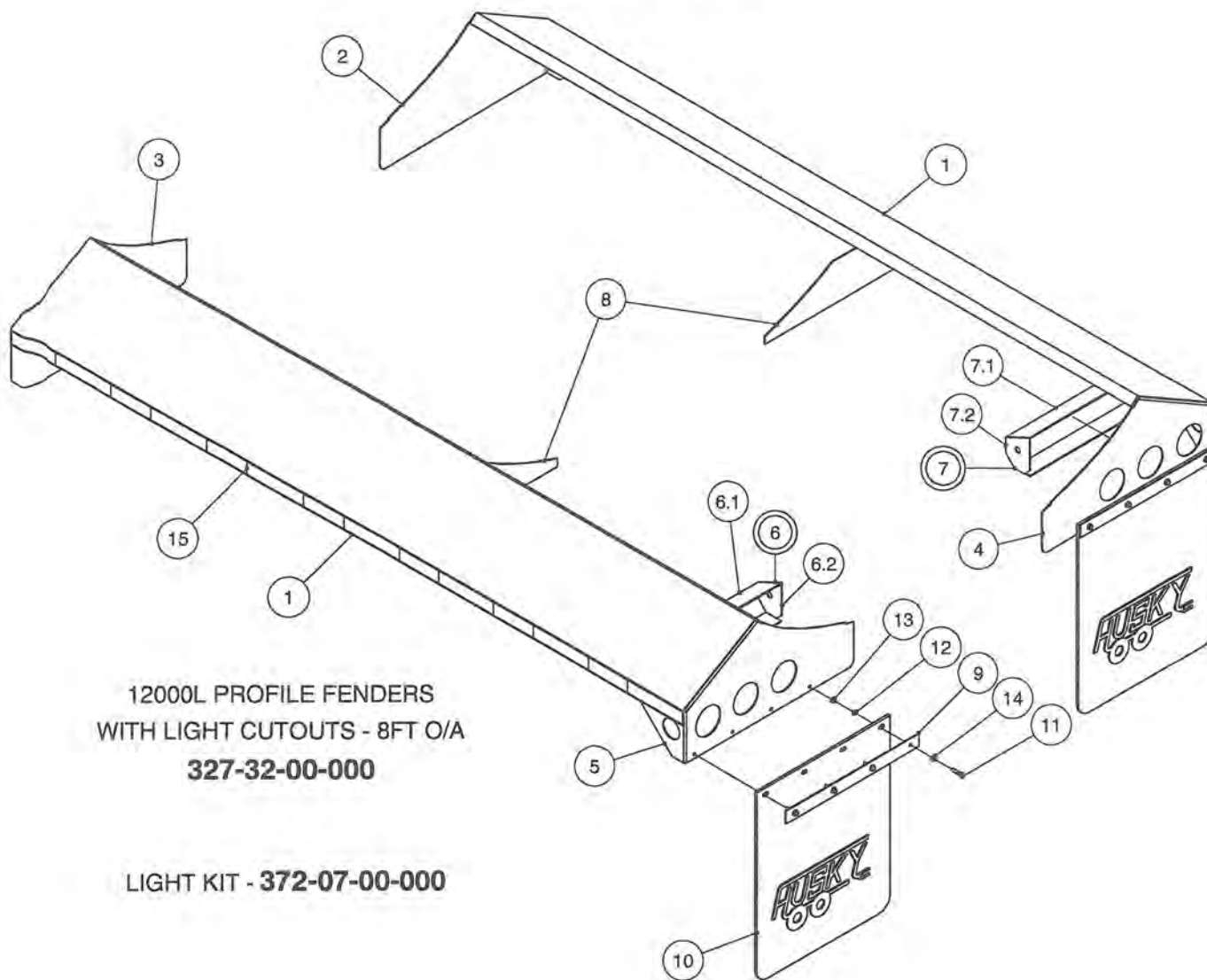
**12000L PROFILE FENDERS  
NO LIGHTS - 8FT O/A**



**12000L PROFILE FENDERS  
NO LIGHT CUTOUTS - 8FT O/A  
327-29-00-000**

PARTS LIST			
ITEM	PART NUMBER	DESCRIPTION	QTY
1	327-29-00-061	12000L FENDER-8FT O/A WIDTH	2
2	327-29-00-076	RH FENDER END-NO LIGHTS-8FT O/A	1
3	327-29-00-077	LH FENDER END-NO LIGHTS-8FT O/A	1
4	327-29-00-062	RH FRONT FENDER CAP - 12000L-8FT O/A	1
5	327-29-00-063	LH FRONT FENDER CAP - 12000L-8FT O/A	1
6	327-29-00-064	12000L FENDER GUSSET - 8FT O/A	2
7	332-27-00-083	MUDFLAP CLAMP STRAP	2
8	R09528	HUSKY MUDFLAP	2
9	R07620	3/8 x 1 1/2 HEX BOLT	8
10	R07803	3/8 LOCK WASHER	8
11	R07783	3/8 HEX NUT	8
12	R07823	3/8 FLAT WASHER	8
13	R10361	REFLECTOR TAPE - RED/SILVER	2

**12000L PROFILE FENDERS  
WITH LIGHTS - 8FT O/A**

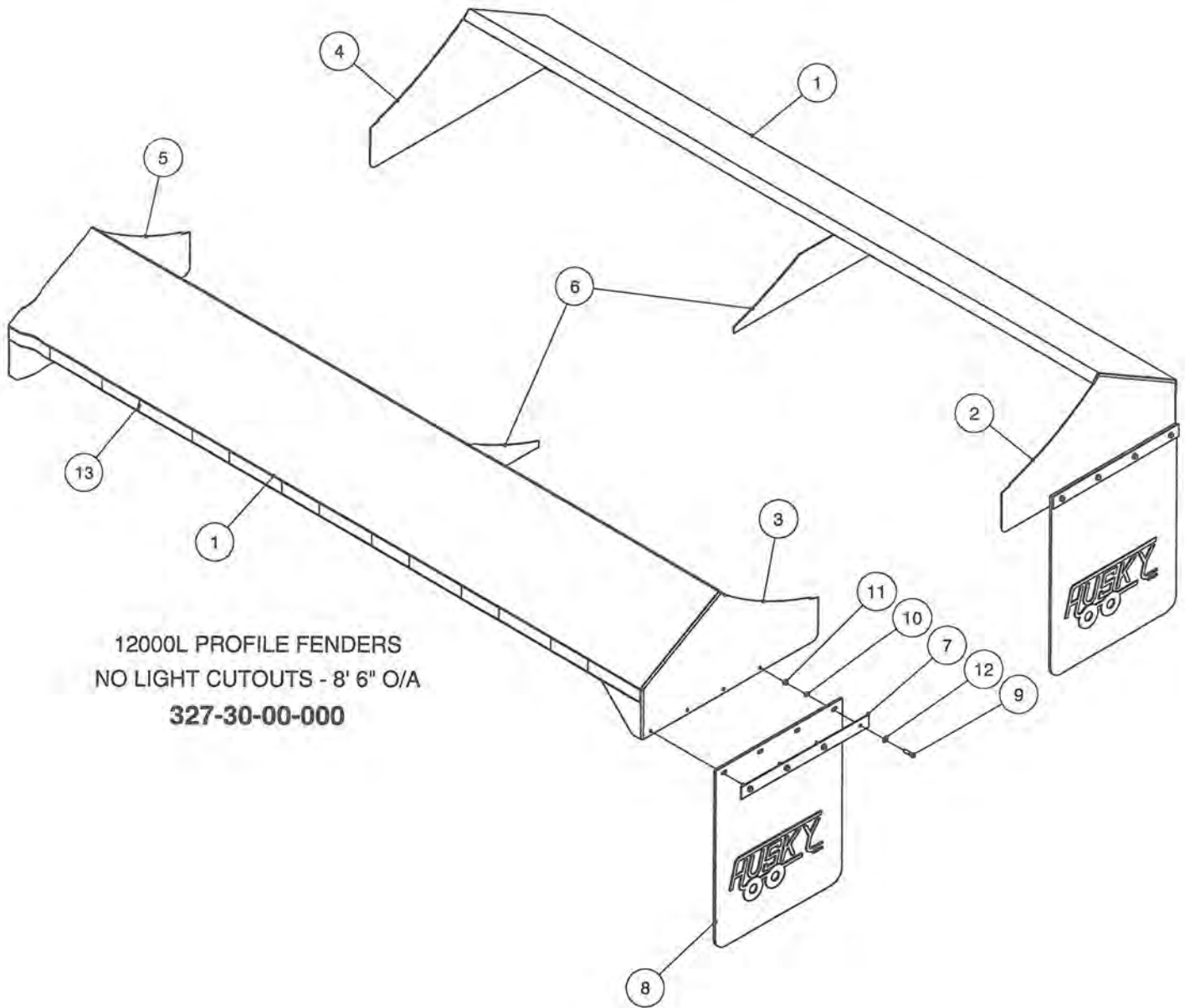


12000L PROFILE FENDERS  
WITH LIGHT CUTOUTS - 8FT O/A  
**327-32-00-000**

LIGHT KIT - **372-07-00-000**

PARTS LIST			
ITEM	PART NUMBER	DESCRIPTION	QTY
1	327-29-00-061	12000L FENDER-8FT O/A WIDTH	2
2	327-29-00-062	RH FRONT FENDER CAP - 12000L-8FT O/A	1
3	327-29-00-063	LH FRONT FENDER CAP - 12000L-8FT O/A	1
4	327-32-00-074	RH FENDER END w/ LIGHTS - 8FT O/A	1
5	327-32-00-075	LH FENDER END w/ LIGHTS - 8FT O/A	1
6	332-33-02-000	LH INNER LIGHT COVER ASSY	1
6.1	332-33-01-079	INNER LIGHT COVER	1
6.2	332-33-01-080	INNER LIGHT COVER END CAP	1
7	332-33-01-000	RH INNER LIGHT COVER ASSY	1
7.1	332-33-01-079	INNER LIGHT COVER	1
7.2	332-33-01-080	INNER LIGHT COVER END CAP	1
8	327-29-00-064	12000L FENDER GUSSET - 8FT O/A	2
9	332-27-00-083	MUDFLAP CLAMP STRAP	2
10	R09528	HUSKY MUDFLAP	2
11	R07620	3/8 x 1 1/2 HEX BOLT	8
12	R07803	3/8 LOCK WASHER	8
13	R07783	3/8 HEX NUT	8
14	R07823	3/8 FLAT WASHER	8
15	R10361	REFLECTOR TAPE - RED/SILVER	2

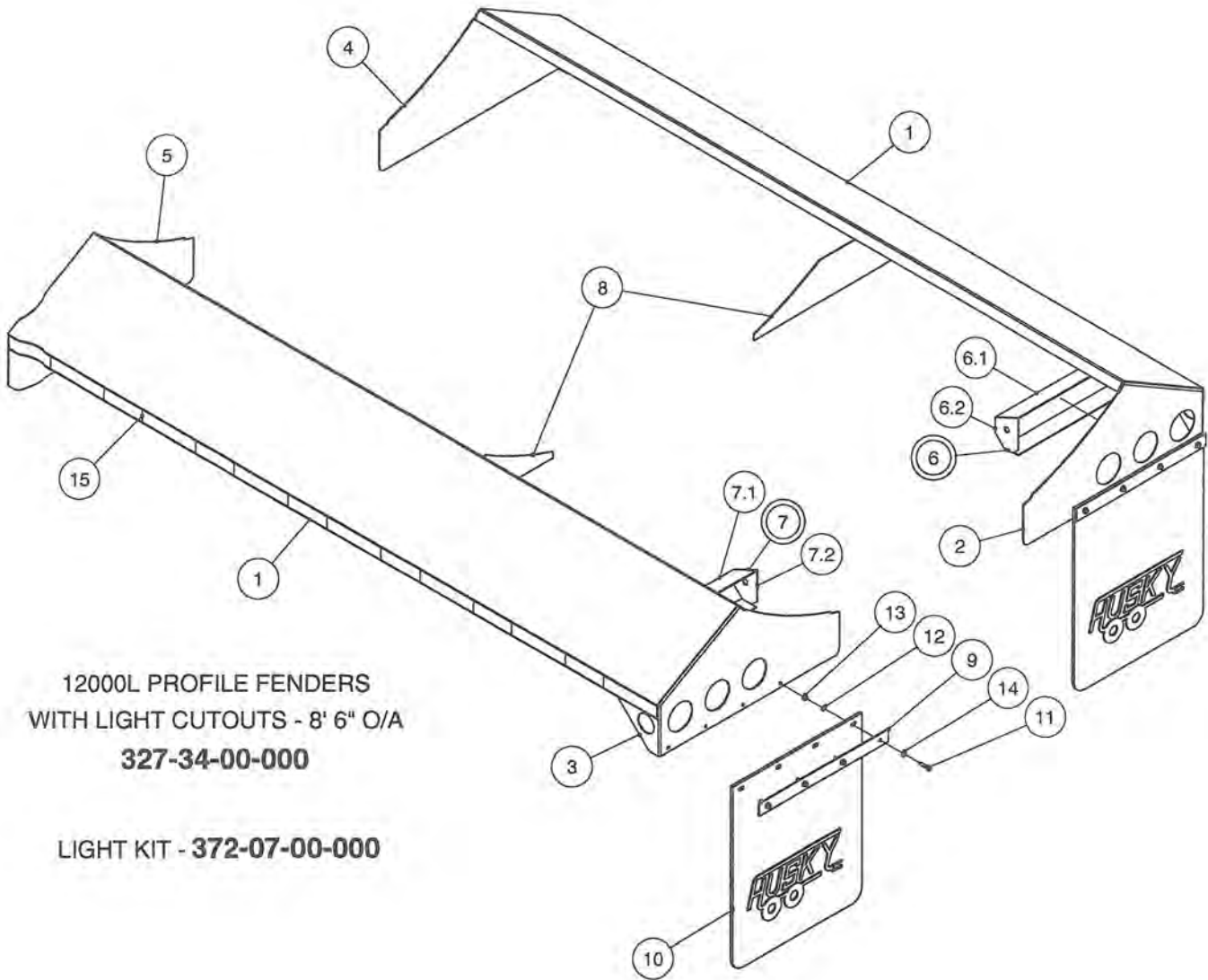
**12000L PROFILE FENDERS  
NO LIGHTS - 8' 6" O/A**



**12000L PROFILE FENDERS  
NO LIGHT CUTOUTS - 8' 6" O/A  
327-30-00-000**

PARTS LIST			
ITEM	PART NUMBER	DESCRIPTION	QTY
1	327-30-00-065	12000L FENDER - 8'6" O/A	2
2	327-30-00-066	RH REAR FENDER END - 8'6" O/A	1
3	327-30-00-067	LH REAR FENDER END - 8'6" O/A	1
4	327-34-00-088	RH FRONT FENDER END - 8'6" O/A	1
5	327-34-00-089	LH FRONT FENDER END - 8'6" O/A	1
6	327-30-00-068	12000L FENDER GUSSET - 8'6" O/A	2
7	332-27-00-083	MUDFLAP CLAMP STRAP	2
8	R09528	HUSKY MUDFLAP	2
9	R07620	3/8 x 1 1/2 HEX BOLT	8
10	R07803	3/8 LOCK WASHER	8
11	R07783	3/8 HEX NUT	8
12	R07823	3/8 FLAT WASHER	8
13	R10361	REFLECTOR TAPE - RED/SILVER	2

**12000L PROFILE FENDERS  
WITH LIGHTS - 8' 6" O/A**



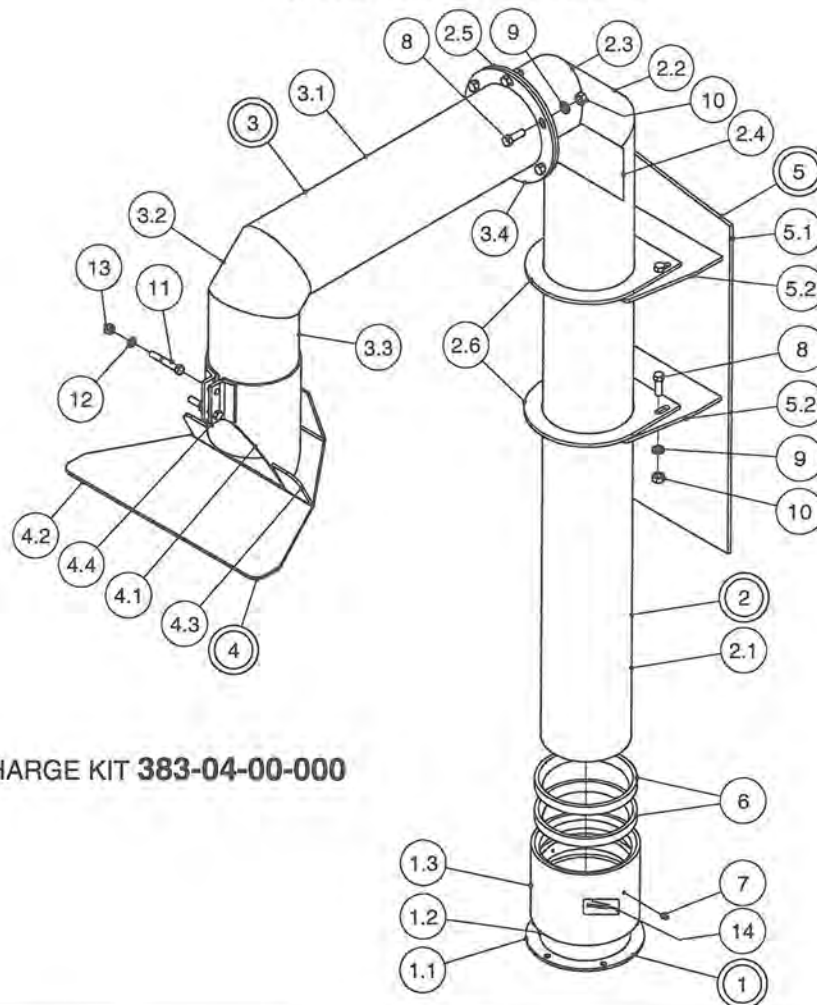
**12000L PROFILE FENDERS  
WITH LIGHT CUTOUTS - 8' 6" O/A  
327-34-00-000**

**LIGHT KIT - 372-07-00-000**

PARTS LIST			
ITEM	PART NUMBER	DESCRIPTION	QTY
1	327-30-00-065	12000L FENDER - 8'6" O/A	2
2	327-34-00-086	RH REAR FENDER END w/ LIGHTS - 8'6"	1
3	327-34-00-087	LH REAR FENDER END w/ LIGHTS - 8'6"	1
4	327-34-00-088	RH FRONT FENDER END - 8'6" O/A	1
5	327-34-00-089	LH FRONT FENDER END - 8'6" O/A	1
6	332-33-01-000	RH INNER LIGHT COVER ASSY	1
6.1	332-33-01-079	INNER LIGHT COVER	1
6.2	332-33-01-080	INNER LIGHT COVER END CAP	1
7	332-33-02-000	LH INNER LIGHT COVER ASSY	1
7.1	332-33-01-079	INNER LIGHT COVER	1
7.2	332-33-01-080	INNER LIGHT COVER END CAP	1
8	327-30-00-068	12000L FENDER GUSSET - 8'6" O/A	2
9	332-27-00-083	MUDFLAP CLAMP STRAP	2
10	R09528	HUSKY MUDFLAP	2
11	R07620	3/8 x 1 1/2 HEX BOLT	8
12	R07803	3/8 LOCK WASHER	8
13	R07783	3/8 HEX NUT	8
14	R07823	3/8 FLAT WASHER	8
15	R10361	REFLECTOR TAPE - RED/SILVER	2



# 6" REAR DISCHARGE KIT



**6" REAR DISCHARGE KIT 383-04-00-000**

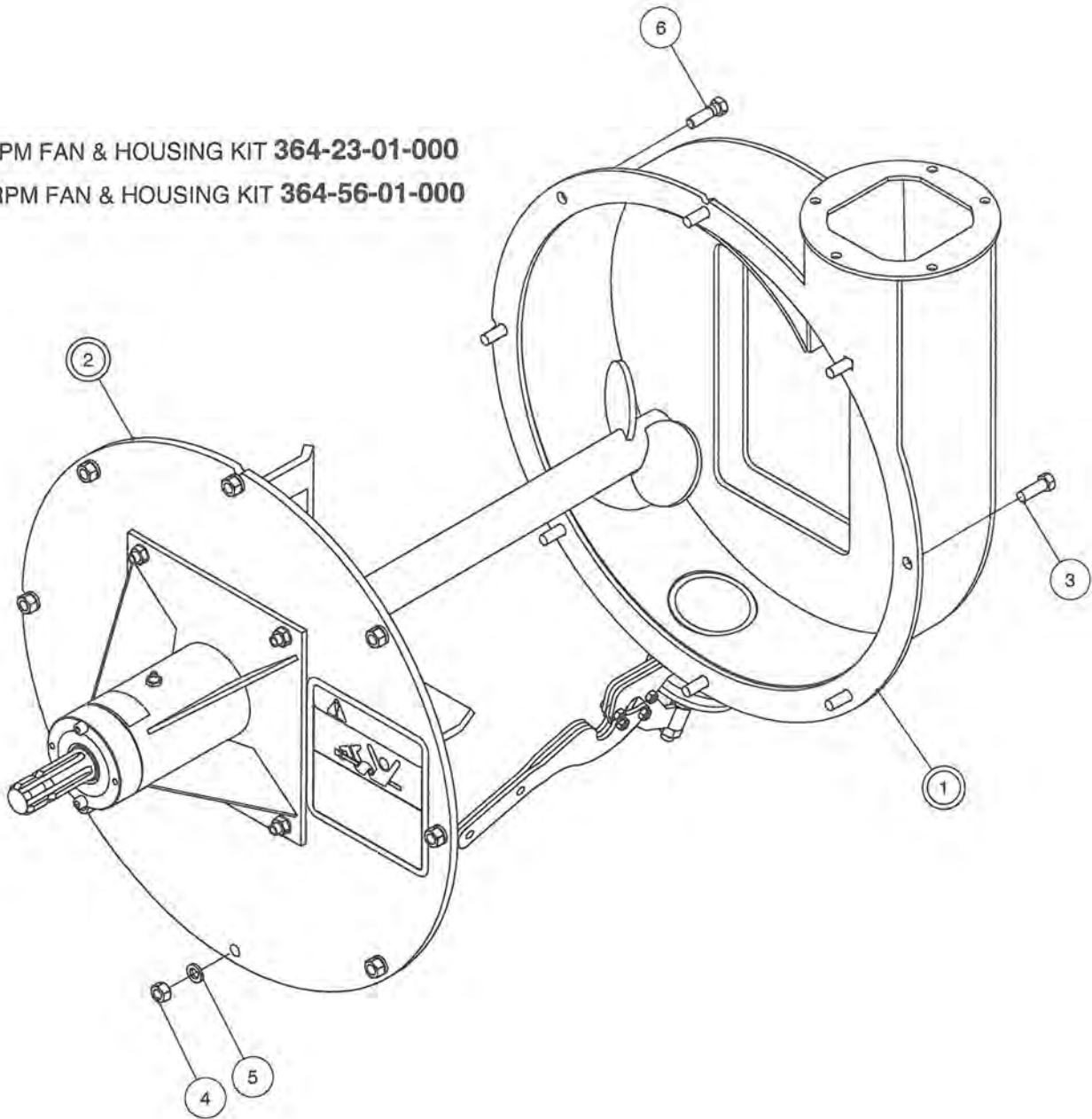
## PARTS LIST

ITEM	PART NUMBER	DESCRIPTION	QTY
1	384-05-01-000	DOUBLE SEAL HOLDER ASSY	1
1.1	364-01-03-376	DISCHARGE RING	1
1.2	384-05-01-026	EXTENSION TUBE	1
1.3	384-05-01-025	DOUBLE SEAL HOLDER	1
2	383-04-01-000	VERTICAL DISCHARGE PIPE ASSY	1
2.1	383-04-01-278	VERTICAL DISCHARGE TUBE - 6"	1
2.2	384-05-02-028	PIPE CORNER PC	1
2.3	384-05-02-029	PIPE END PC	1
2.4	384-05-02-097	GUSSET	1
2.5	364-19-00-087	DISCHARGE PIPE FLANGE	2
2.6	384-05-02-069	TUBE ATTACHMENT BRKT	1
3	364-25-00-000	DISCHARGE PIPE END SECTION ASSY	2
3.1	364-25-00-088	DISCHARGE PIPE FLANGE PC	1
3.2	364-19-00-082	DISCHARGE PIPE CORNER PC	1
3.3	364-25-00-067	DISCHARGE PIPE END PC	1
3.4	364-19-00-087	DISCHARGE PIPE FLANGE	1
4	364-68-00-000	SPLASH PLATE ASSY	1
4.1	364-68-00-215	CLAMPING TUBE	1
4.2	364-21-00-069	SPLASH PLATE	1
4.3	364-21-00-224	SPLASH PLATE WING	2
4.4	364-21-00-071	CLAMPING TUBE BRKT	2
5	383-04-02-000	DISCHARGE SUPPORT ASSY - 6" PIPE	1
5.1	383-04-02-279	VERTICAL DISCHARGE BACK PLATE - 12000L	1
5.2	384-05-03-070	TANK BRKT	2
6	R02366	6" RUBBER GASKET	2
7	R08183	1/4" - 28 STRAIGHT GREASE FITTING	2
8	R07671	7/16 x 1 1/4 HEX BOLT	10
9	R07804	7/16 LOCK WASHER	10
10	R07784	7/16 HEX NUT	10
11	R07622	3/8 x 2 1/2 HEX BOLT	2
12	R07803	3/8 LOCK WASHER	2
13	R07783	3/8 HEX NUT	2
14	R09662	SYN. GREASE DECAL	1

# TRUCKMOUNT FAN & HOUSING KIT

**540 RPM FAN & HOUSING KIT 364-23-01-000**

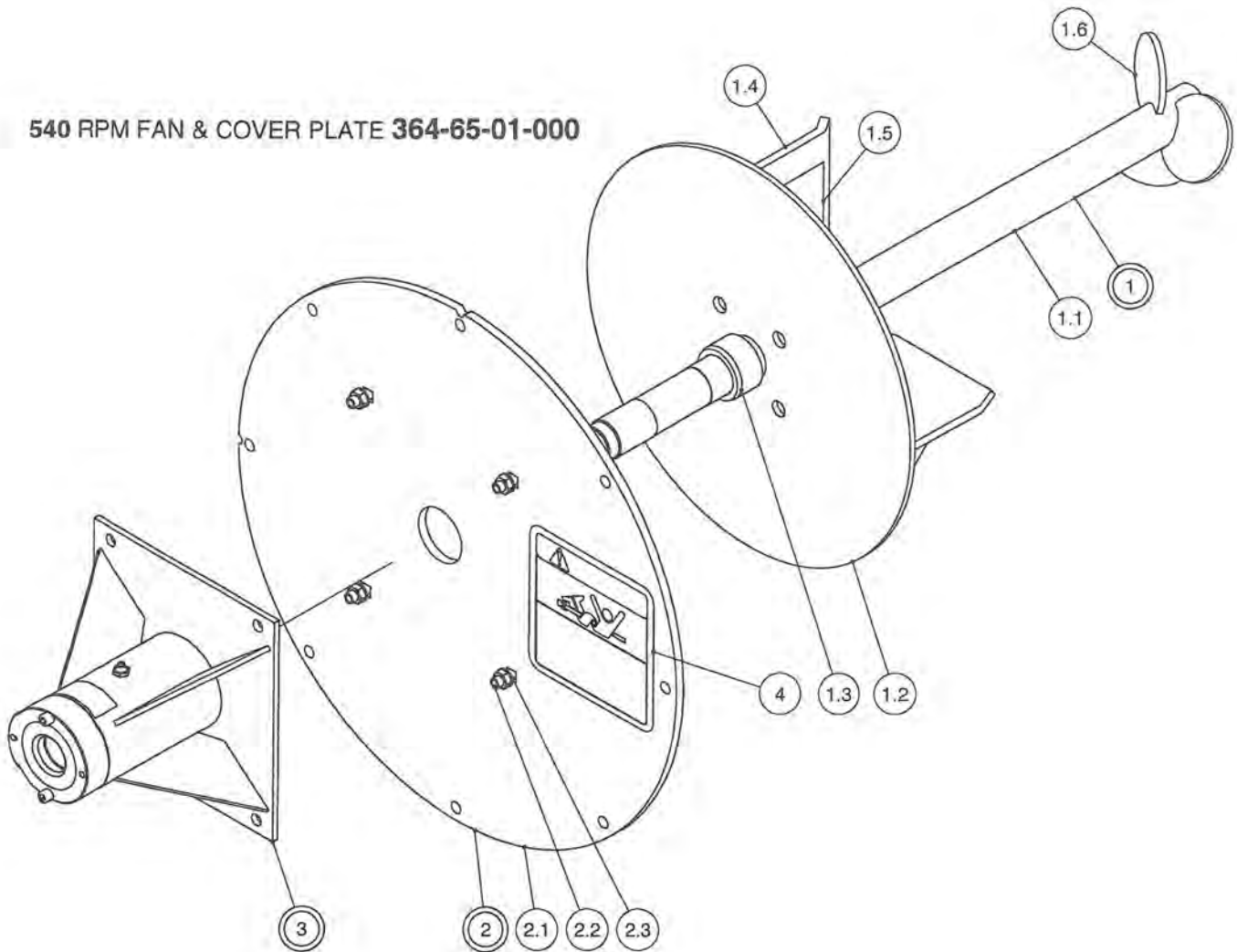
**1000 RPM FAN & HOUSING KIT 364-56-01-000**



PARTS LIST			
ITEM	PART NUMBER	DESCRIPTION	QTY
1	364-81-00-000	FAN HOUSING ASSY COMPLETE	1
2	364-65-01-000	540 RPM FAN & COVER PLATE	1
	364-66-01-000	1000 RPM FAN & COVER PLATE	1
3	R07671	7/16 x 1 1/4 HEX BOLT	6
4	R07784	7/16 HEX NUT	8
5	R07804	7/16 LOCK WASHER	8
6	R07629	7/16 x 1 1/2 HEX BOLT	1

# TRUCKMOUNT FAN & COVER PLATE

## 540 RPM FAN & COVER PLATE 364-65-01-000

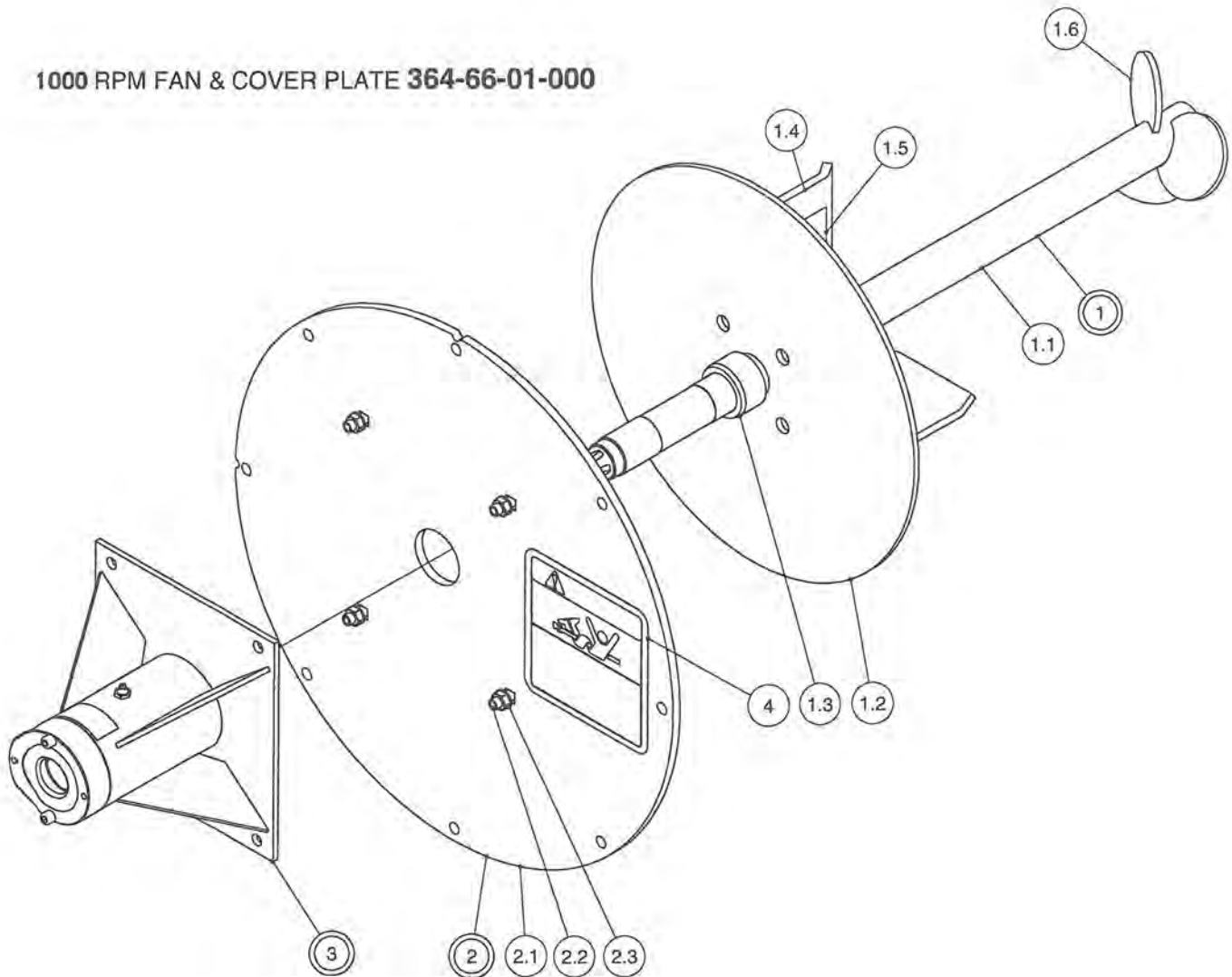


### PARTS LIST

ITEM	PART NUMBER	DESCRIPTION	QTY
1	364-72-00-000	540 RPM SHAFT & IMPELLER ASSY - CHT	1
1.1	364-72-00-226	FAN SHAFT	1
1.2	364-63-00-209	FAN BACK PLATE	1
1.3	R20238	HARDENED SEAL SLEEVE	1
1.4	364-63-00-208	CHT 540 RPM FAN BLADE	4
1.5	364-72-00-422	FAN BLADE GUSSET	4
1.6	364-72-00-227	AGITATOR BLADE	3
2	364-67-00-000	COVER PLATE ASSY	1
2.1	364-67-00-211	HOUSING COVER PLATE	1
2.2	R07774	7/16 x 1 1/4" GR 5 CARRIAGE BOLT	4
2.3	R07879	7/16 FLANGE NUT	4
3	357-59-00-000	BEARINGS & HOLDER KIT 2002	1
4	R09785	"DANGER ROTATING DRIVELINE" DECAL	1

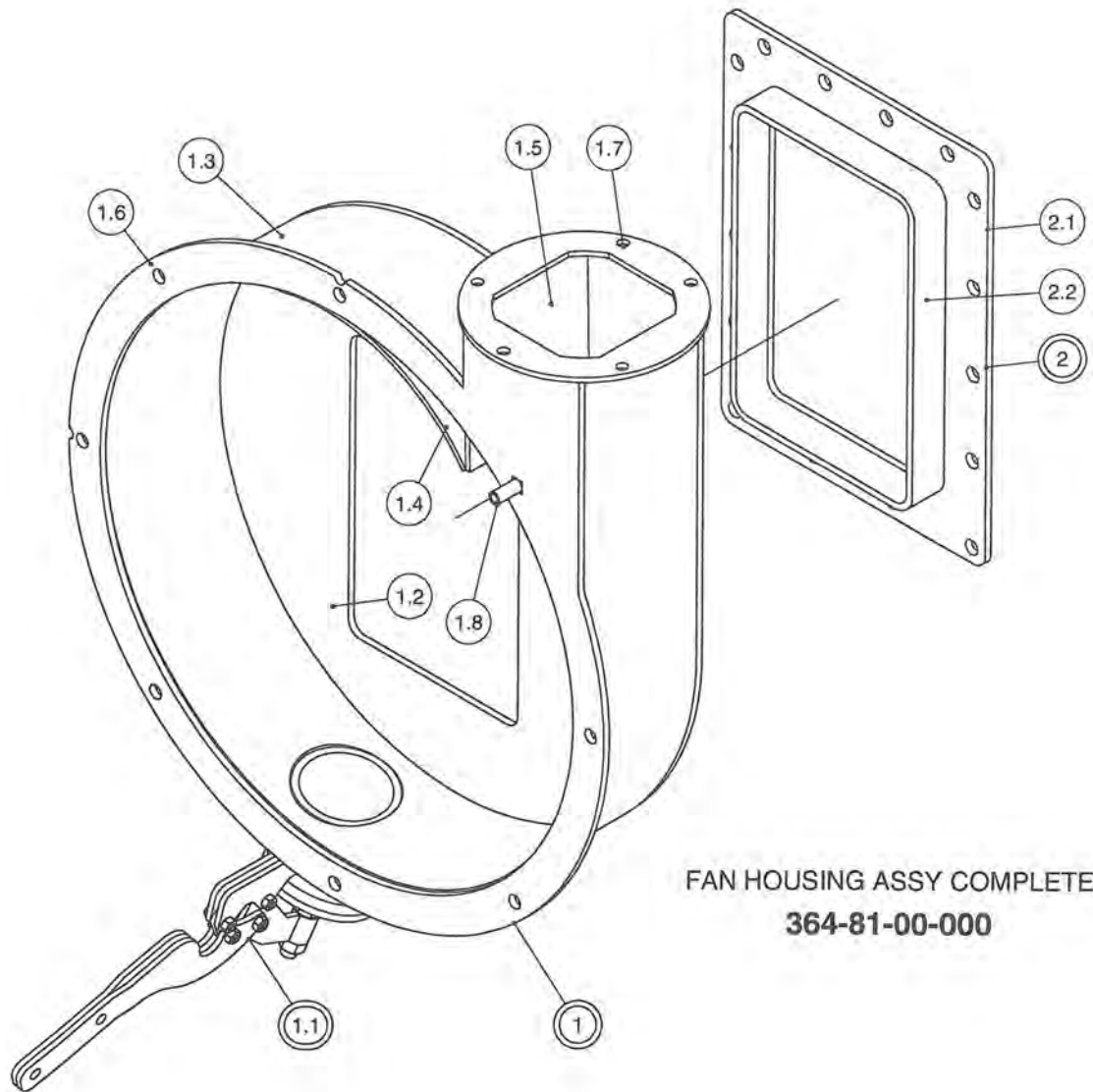
# TRUCKMOUNT FAN & COVER PLATE

## 1000 RPM FAN & COVER PLATE 364-66-01-000



PARTS LIST			
ITEM	PART NUMBER	DESCRIPTION	QTY
1	364-73-00-000	1000 RPM SHAFT & IMPELLER ASSY - CHT	1
1.1	364-72-00-226	FAN SHAFT	1
1.2	364-63-00-209	FAN BACK PLATE	1
1.3	R20238	HARDENED SEAL SLEEVE	1
1.4	364-64-00-210	CHT 1000 RPM FAN BLADE	4
1.5	364-72-00-422	FAN BLADE GUSSET	4
1.6	364-72-00-227	AGITATOR BLADE	3
2	364-67-00-000	COVER PLATE ASSY	1
2.1	364-67-00-211	HOUSING COVER PLATE	1
2.2	R07774	7/16 x 1 1/4" GR 5 CARRIAGE BOLT	4
2.3	R07879	7/16 FLANGE NUT	4
3	357-59-00-000	BEARINGS & HOLDER KIT 2002	1
4	R09785	"DANGER ROTATING DRIVELINE" DECAL	1

# FAN HOUSING ASSY



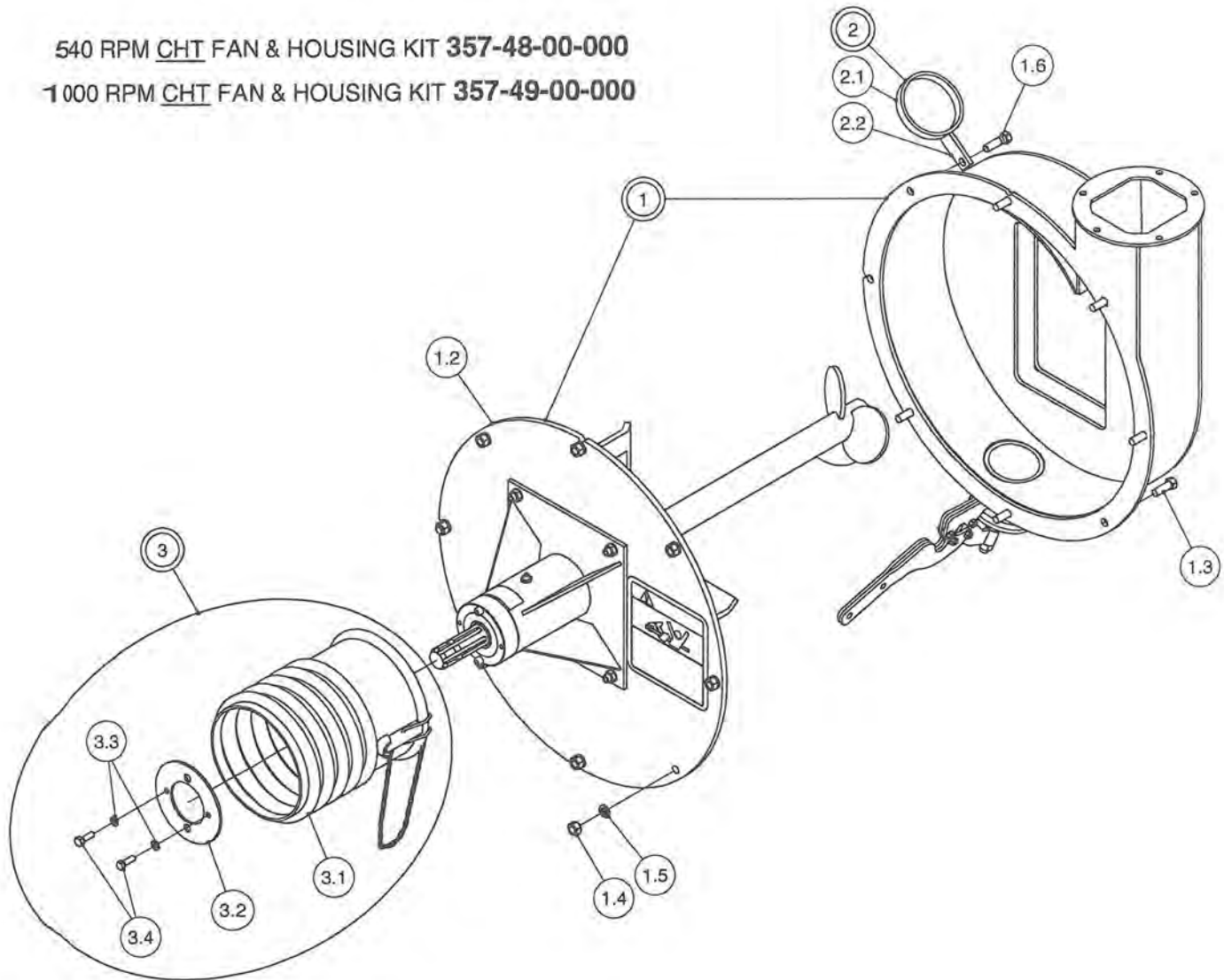
FAN HOUSING ASSY COMPLETE  
364-81-00-000

PARTS LIST			
ITEM	PART NUMBER	DESCRIPTION	QTY
1	364-81-01-000	FAN HOUSING ASSY LESS FLANGE	1
1.1	364-62-00-000	DRAIN PLUG KIT	1
1.2	364-01-03-106	HOUSING BACK PLATE	1
1.3	364-01-03-018	HOUSING BAND	1
1.4	364-01-03-156	HOUSING BAND AID	1
1.5	364-01-03-081	FAN HOUSING VERTICAL PC	1
1.6	364-01-03-019	HOUSING FLANGE	1
1.7	364-01-03-376	DISCHARGE RING	1
1.8	R07774	7/16 x 1 1/4" GR 5 CARRIAGE BOLT	1
2	364-81-02-000	HOUSING INLET FLANGE ASSY	1
2.1	364-81-02-393	HOUSING FLANGE	1
2.2	364-81-02-424	INLET EXTENSION TUBE	1

# CHT FAN & HOUSING KIT

540 RPM CHT FAN & HOUSING KIT **357-48-00-000**

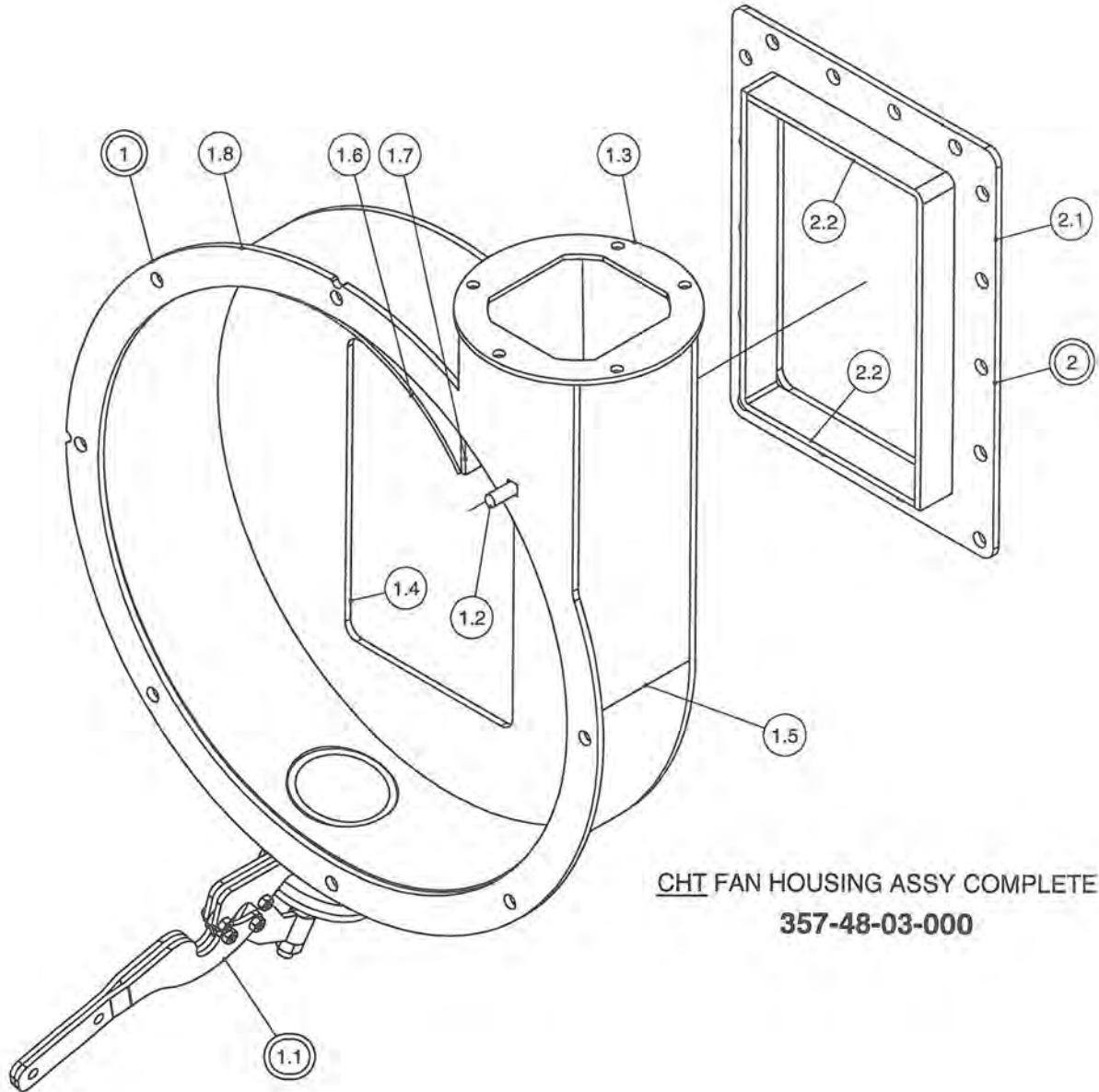
1000 RPM CHT FAN & HOUSING KIT **357-49-00-000**



PARTS LIST			
ITEM	PART NUMBER	DESCRIPTION	QTY
1	357-49-03-000	CHT 1000 RPM FAN & HOUSING KIT	OPT
1	357-48-06-000	CHT 540 FAN & HOUSING KIT	1
1.1	357-48-03-000	CHT FAN HOUSING ASSY COMPLETE	1
1.2	364-65-01-000	540 RPM FAN & COVER PLATE	1
1.3	R07671	7/16 x 1 1/4 HEX BOLT	6
1.4	R07784	7/16 HEX NUT	8
1.5	R07804	7/16 LOCK WASHER	8
1.6	R07629	7/16 x 1 1/2 HEX BOLT	1
2	364-41-00-000	PTO HOLDER ASSY	1
2.1	364-41-00-132	PTO HOLDER	1
2.2	364-41-00-133	PTO HOLDER BRACKET	1
3	364-69-00-000	PLASTIC PTO GUARD KIT	1
3.1	R22196	SHEILD CONE ASSY	1
3.2	364-00-00-448	GUARD SUPPORT	1
3.3	R07802	5/16 LOCK WASHER	2
3.4	R07611	5/16 x 1" HEX BOLT	2

OPT - OPTIONAL

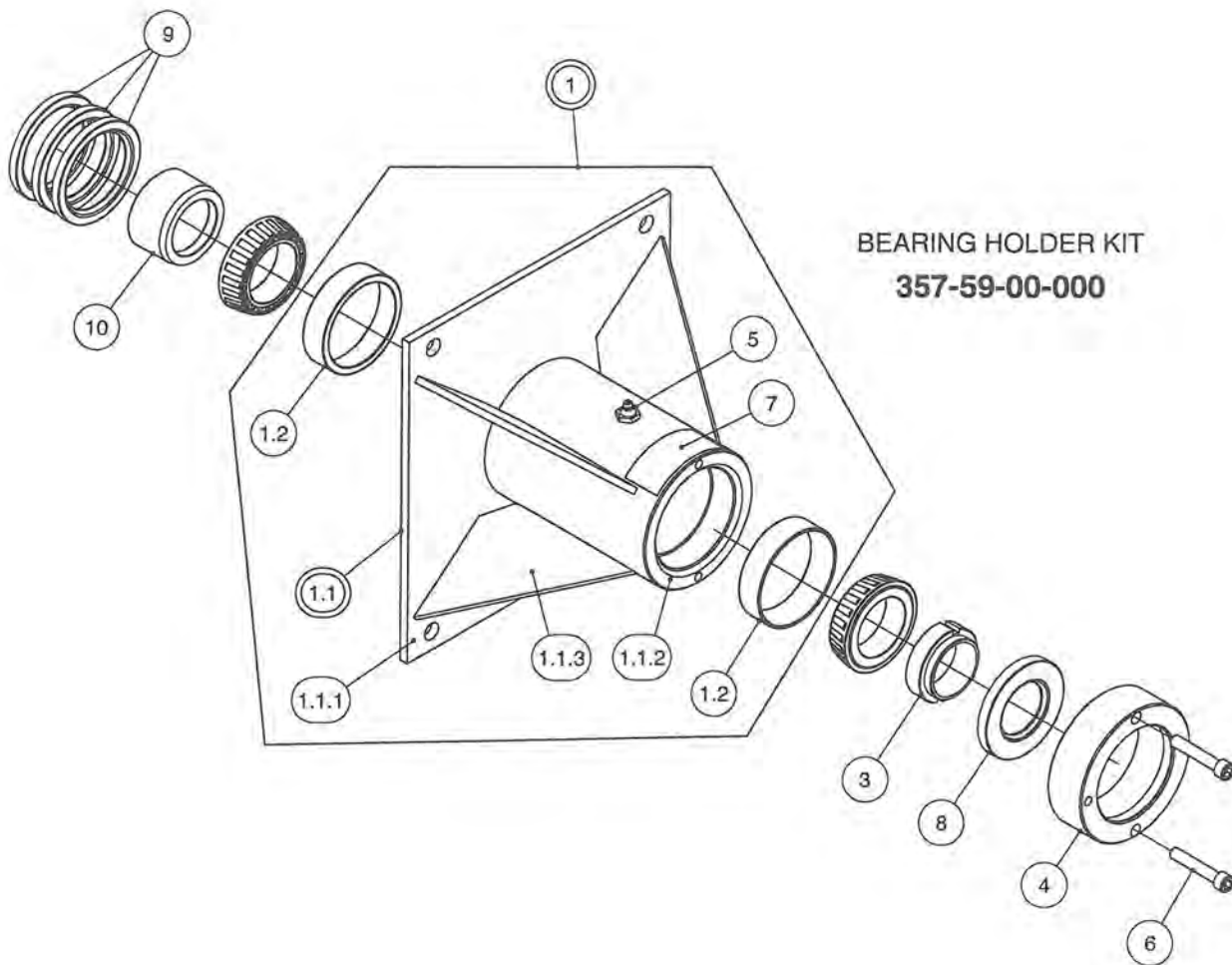
# CHT FAN HOUSING ASSY



**CHT FAN HOUSING ASSY COMPLETE**  
**357-48-03-000**

PARTS LIST			
ITEM	PART NUMBER	DESCRIPTION	QTY
1	357-48-01-000	CHT FAN HOUSING ASSY LESS FLANGE	1
1.1	364-62-00-000	DRAIN PLUG KIT	1
1.2	R07732	7/16 x 1 1/4 CARRIAGE BOLT	1
1.3	364-01-03-376	DISCHARGE RING	1
1.4	357-48-01-228	CHT HOUSING BACK PLATE	1
1.5	357-48-01-232	CHT HOUSING BAND	1
1.6	357-48-01-231	CHT HOUSING BAND AID	1
1.7	357-48-01-230	CHT FAN HOUSING VERTICAL PC	1
1.8	357-48-01-229	CHT HOUSING FLANGE	1
2	357-48-02-000	CHT HOUSING INLET FLANGE ASSY	1
2.1	364-81-02-393	HOUSING FLANGE	1
2.2	357-48-02-233	CHT INLET EXTENSION	2

# BEARING HOLDER KIT

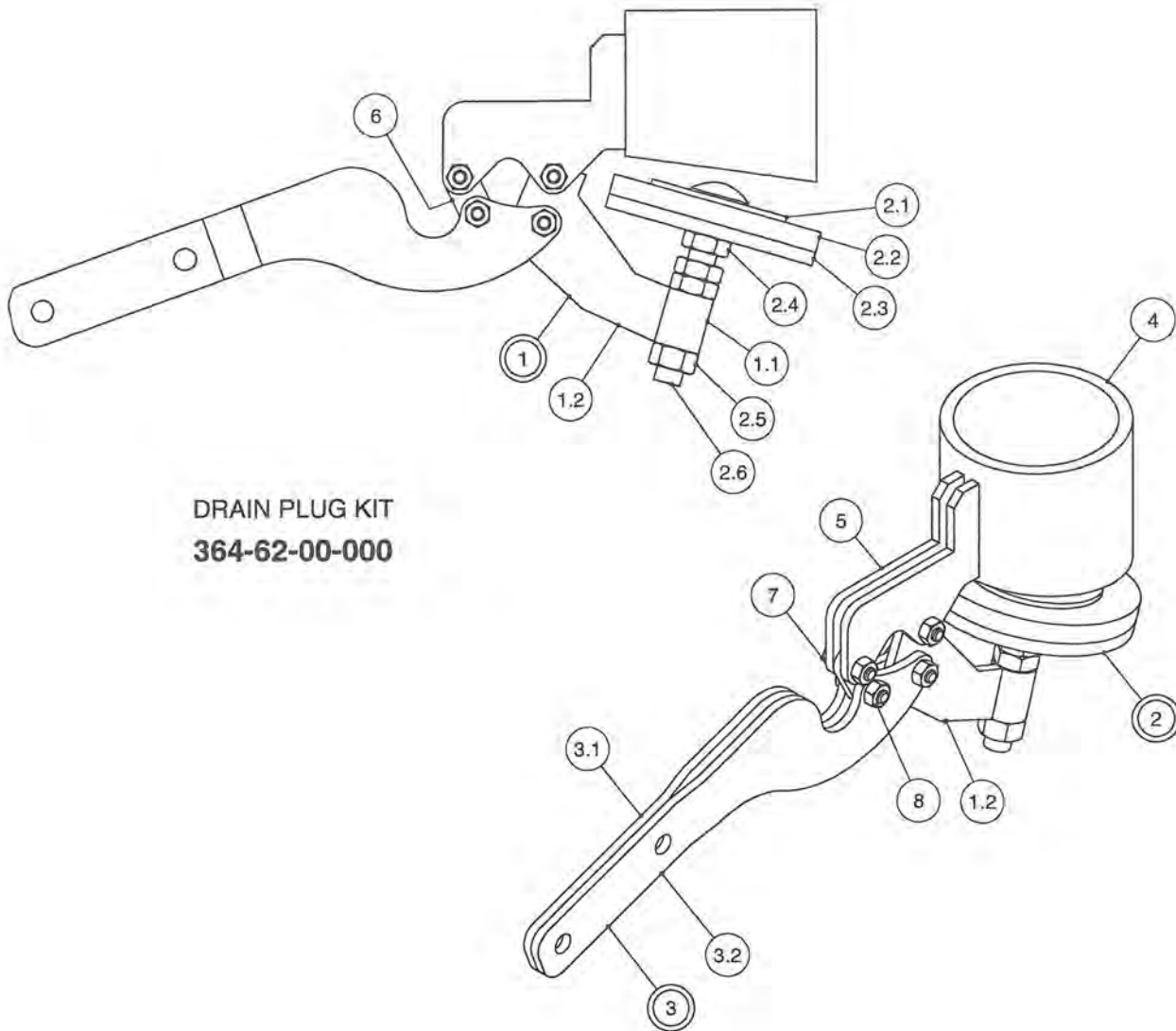


**BEARING HOLDER KIT  
357-59-00-000**

PARTS LIST			
ITEM	PART NUMBER	DESCRIPTION	QTY
1	357-59-01-000	BEARING HOLDER w/ CUPS KIT	1
1.1	357-59-02-000	BEARING BOX ASSY	1
1.1.1	364-61-00-192	SEAL TUBE BACK PLATE	1
1.1.2	364-61-00-191	BEARING TUBE	1
1.1.3	357-59-02-289	BEARING BOX GUSSET	4
1.2	R20113	OUTER CUP	2
2	R20115	OUTER CONE	2
3	364-00-00-212	STAKE NUT	1
4	364-00-00-332	SEAL TUBE KIT	1
5	R08188	1/4" NPT STRAIGHT GREASE FITTING	1
6	R08175	5/16 - 18 UNC x 1 3/4" CAP SCREW	2
7	R09787	GREASE DECAL	1
8	R21196	SL LIP SEAL 152833TB 1.5"	1
9	R21197	2.25 x 3.005 x .25 SEAL	3
10	R20238	HARDENED SEAL SLEEVE	1



# DRAIN PLUG KIT

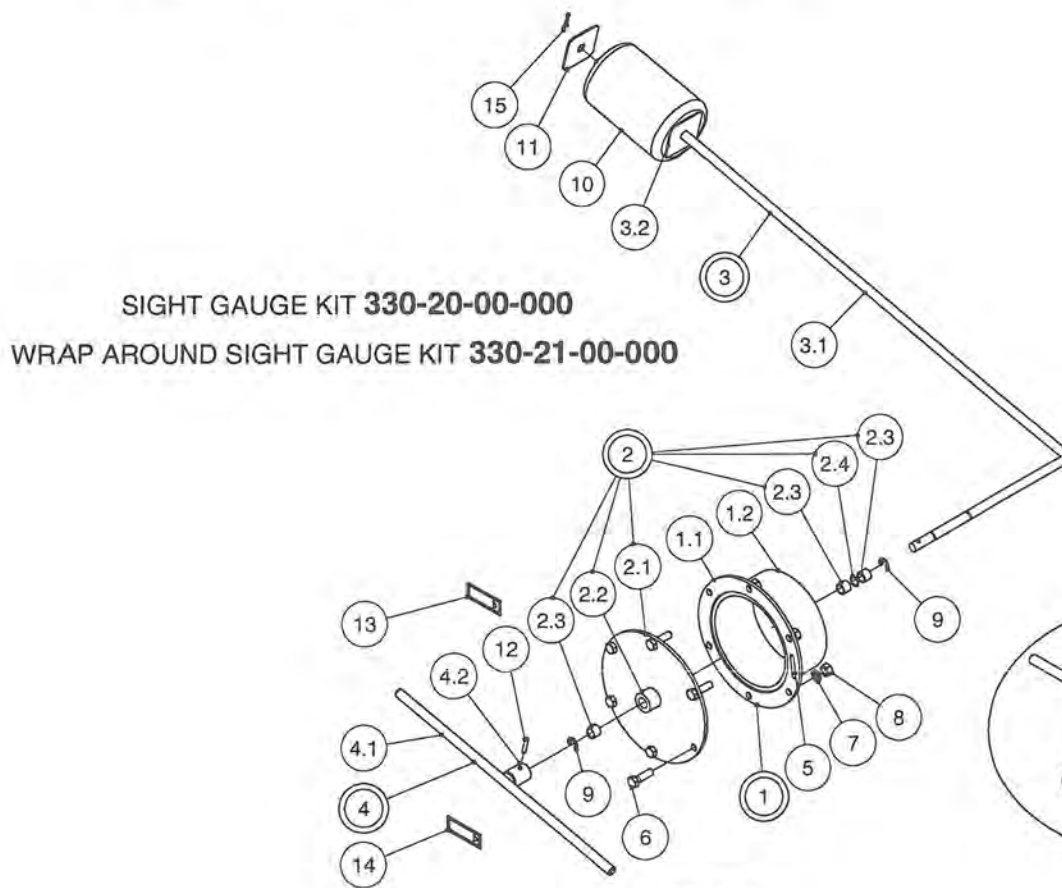


**DRAIN PLUG KIT**  
**364-62-00-000**

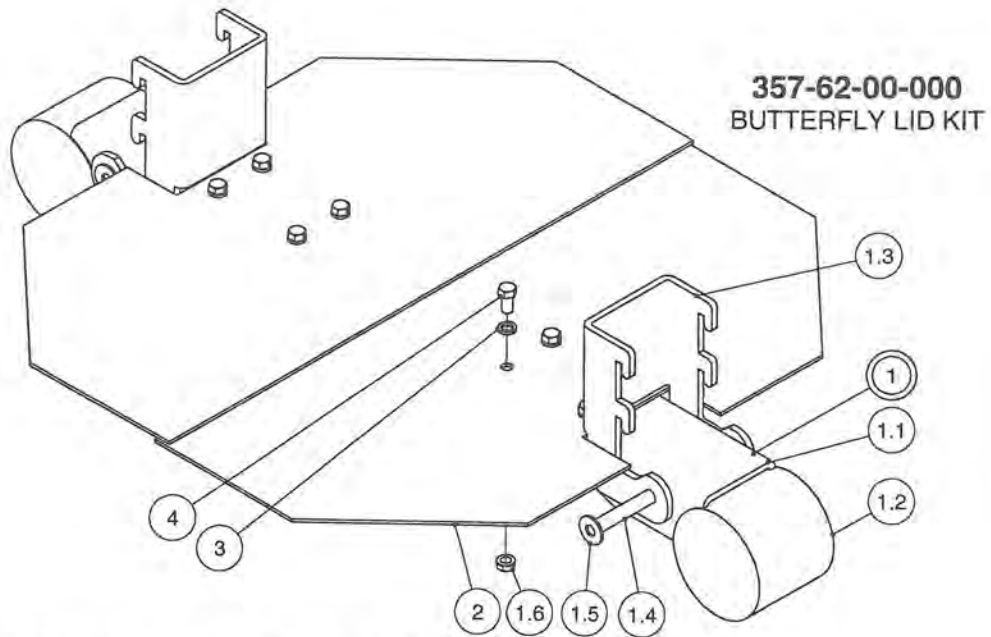
PARTS LIST			
ITEM	PART NUMBER	DESCRIPTION	QTY
1	364-62-01-000	DRAIN PLUG SLEEVE ASSY	1
1.1	364-62-01-201	SLEEVE	1
1.2	364-62-01-200	SLEEVE LINKAGE	1
2	364-62-05-000	DRAIN PLUG REPLACMENT KIT	1
2.1	364-62-04-370	PLUG WASHER	1
2.2	364-62-02-204	RUBBER PLUG	1
2.3	364-62-02-203	PLUG PLATE	1
2.4	R08046	1/2 - 13 JAM NUT	3
2.5	R07785	1/2 HEX NUT	1
2.6	R08316	1/2 x 3 1/2" FULL THREAD CAR BOLT	1
3	364-62-03-000	HANDLE ASSY	1
3.1	364-62-03-206	LH HANDLE	1
3.2	364-62-03-207	RH HANDLE	1
4	364-01-03-110	DRAIN PIPE	1
5	364-62-00-199	PLUG HOUSING BRKT	2
6	364-62-00-205	SHORT LINKAGE	1
7	R08176	1/4 x 7/8" HEX BOLT	4
8	R08048	1/4" 2 WAY LOCK NUT	4

# SIGHT GAUGE KIT

Parts List			
ITEM	PART NUMBER	DESCRIPTION	QTY
1	330-20-03-000	ACCESS TUBE ASSY	1
1.1	330-20-03-560	ACCESS TUBE FLANGE	1
1.2	330-20-03-556	ACCESS TUBE	1
2	330-20-04-000	COVER PLATE ASSY	1
2.1	330-20-00-557	COVER PLATE	1
2.2	330-20-04-562	BUSHING HOLDER	1
2.3	R21173	1/2 x 5/8 x 1/2" BRONZE BUSHING	3
2.4	R20865	O-RING #11-014	1
3	330-20-01-000	FLOAT ARM ASSY	1
3.1	330-20-01-551	FLOAT ARM	1
3.2	330-20-01-552	FLOAT STRAPS	1
4	330-20-02-000	INDICATOR ARM ASSY	1
4.1	330-20-02-554	INDICATOR ARM	1
4.2	330-20-02-553	INDICATOR ARM HUB	1
5	R04100	SILICONE SEALANT	1
6	R07675	3/8 x 1 1/4" HEX BOLT	6
7	R07803	3/8 LOCK WASHER	6
8	R07783	3/8 HEX NUT	6
9	R07974	EXTERNAL RETAINING RING	2
10	R09524	FLOAT	1
11	330-20-01-552	FLOAT STRAPS	1
12	R08241	3/16 x 1 SS ROLL PIN	1
13	R09529	"FULL" DECAL	1
14	R09530	"EMPTY" DECAL	1
15	R08021	1/8 x 1 S.S. COTTER PIN	1
16	330-21-01-000	WRAP AROUND SITE ARM ASSY	1
16.1	330-19-46-546	WRAP AROUND SITE ARM	1
16.2	330-20-02-553	INDICATOR ARM HUB	1

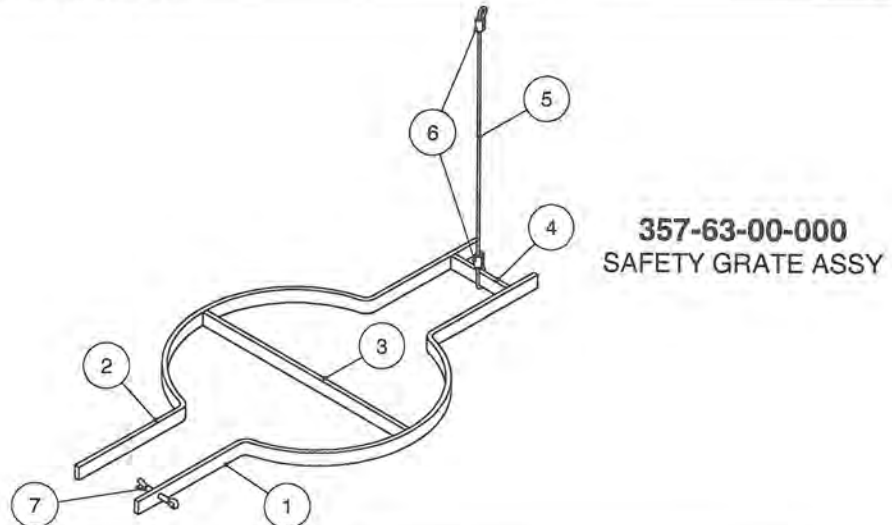


## BUTTERFLY LID & SAFETY GRATE



NOTE: WITH INSTALLATION OF A BUTTERFLY LID, A SAFETY GRATE MUST BE USED TO LOCK LID IN PLACE

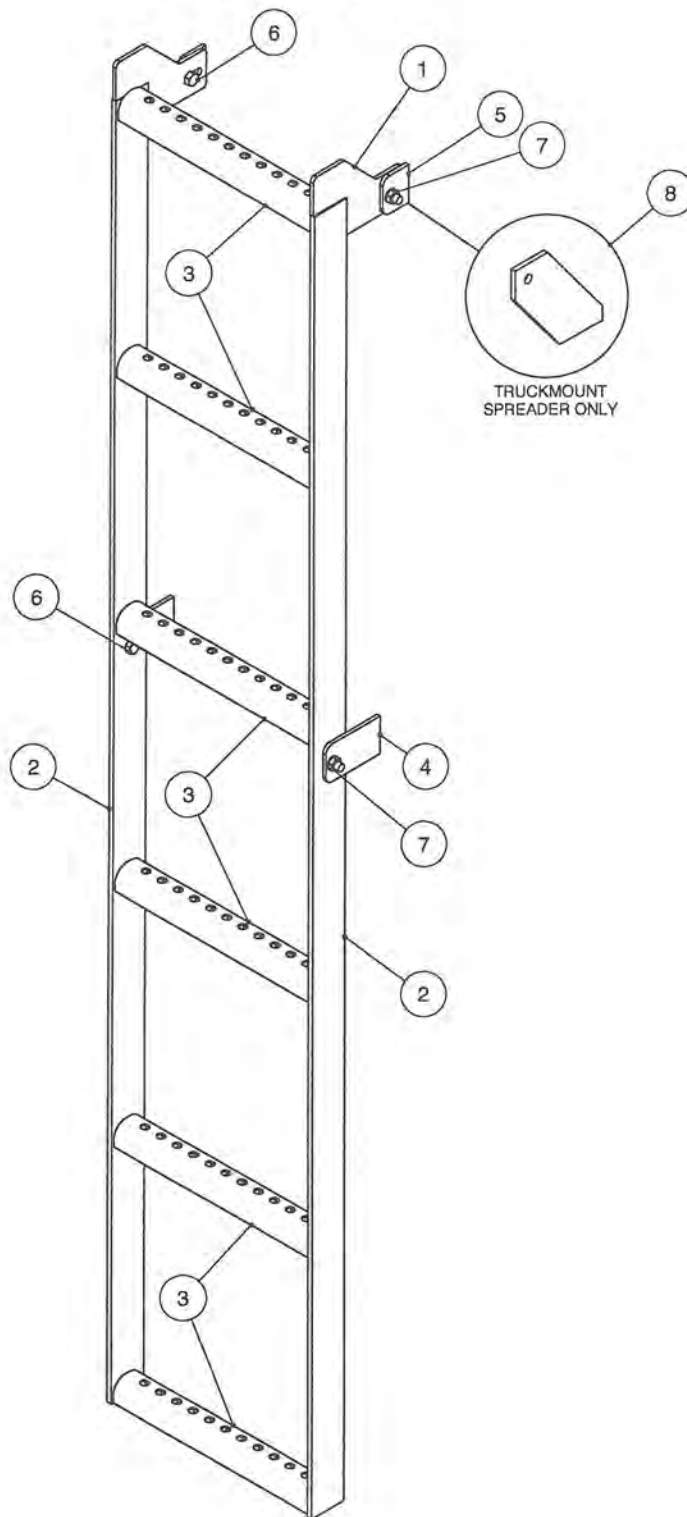
PARTS LIST			
ITEM	PART NUMBER	DESCRIPTION	QTY
1	357-62-01-000	BUTTERFLY HINGE KIT	2
1.1	357-62-01-316	U - CHANNEL HINGE	1
1.2	357-62-01-317	COUNTER WEIGHT	1
1.3	357-62-01-319	DROP-IN HINGE	1
1.4	357-62-01-315	HINGE PIN	1
1.5	R07824	7/16 FLAT WASHER	2
1.6	R07794	3/8 FLANGE NUT	4
2	357-62-00-318	BUTTERFLY LID	2
3	R08319	3/8 S.S. LOCK WASHER	8
4	R08317	3/8 x 3/4 S.S. HEX BOLT	8



PARTS LIST			
ITEM	PART NUMBER	DESCRIPTION	QTY
1	357-63-00-320	SAFETY BAR w/ HOLE	1
2	357-63-00-332	SAFETY BAR	1
3	357-63-00-321	CROSS SAFETY BAR	1
4	357-63-00-322	STOP BAR	1
5	357-63-00-331	SAFETY CABLE	1
6	R08068	1/8" ALUMINUM CRIMP SLEEVES	2
7	R08016	1/4 x 2 COTTER PIN	1

# LADDER KIT

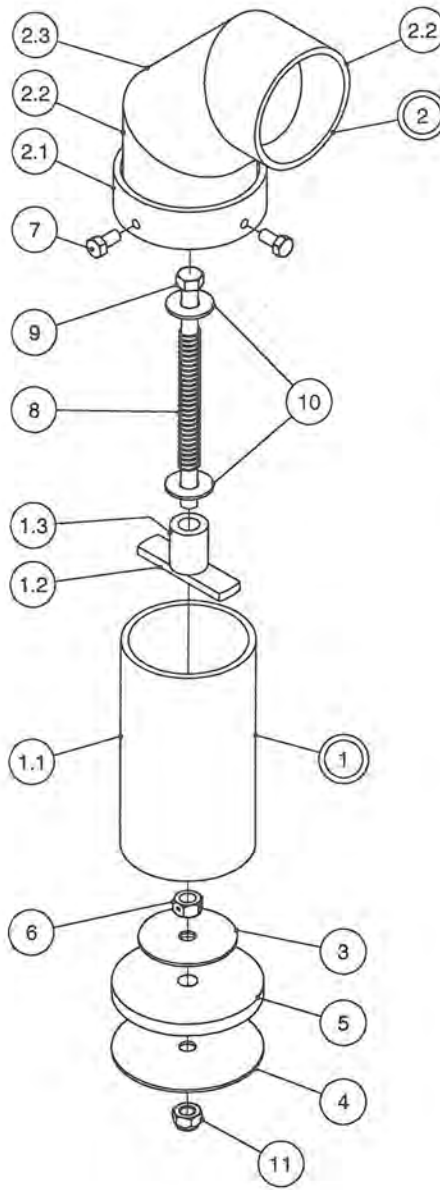
LADDER KIT  
364-95-00-000



## PARTS LIST

ITEM	PART NUMBER	DESCRIPTION	QTY
1	364-95-00-326	LADDER LUG	2
2	364-95-00-325	LADDER SIDE PC	2
3	364-95-00-324	LADDER RUNG	6
4	364-00-00-414	TANK LUG	2
5	364-95-00-327	UPPER TANK LUG	2
6	R07619	3/8 x 1 HEX BOLT	4
7	R07794	3/8 FLANGE NUT	4
8	384-00-00-216	LADDER BRKT	1

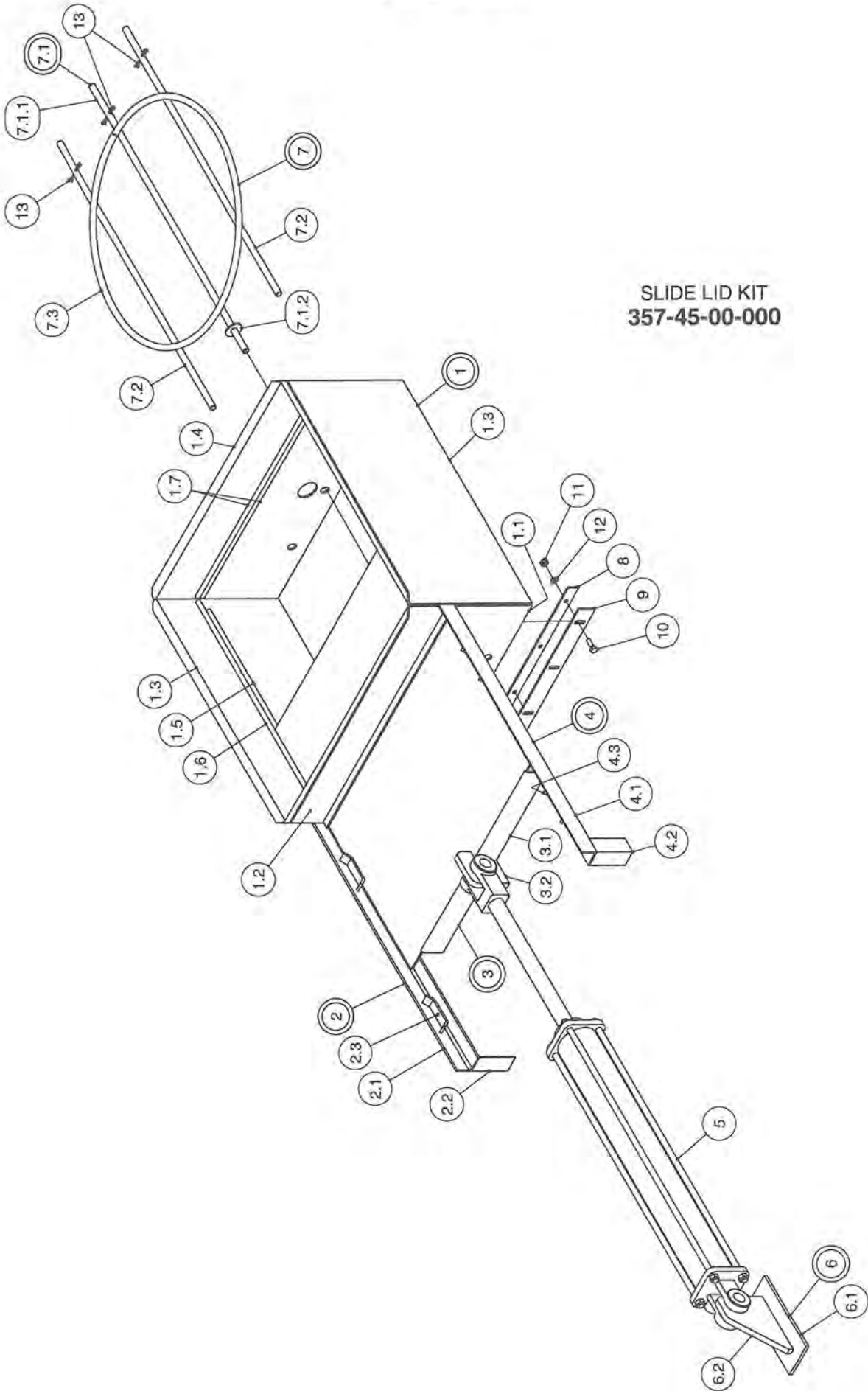
# TANK VENT KIT



**TANK VENT KIT  
357-51-00-000**

PARTS LIST			
ITEM	PART NUMBER	DESCRIPTION	QTY
1	357-51-01-000	VENT TUBE ASSY	1
1.1	357-51-01-246	VENT TUBE	1
1.2	357-51-01-247	VENT STRAP	1
1.3	357-51-01-248	INNER SLIDE TUBE	1
2	357-51-02-000	CAP ASSY	1
2.1	357-51-02-251	SLEEVE	1
2.2	357-51-02-252	ELBOW SECTION	2
2.3	357-51-02-253	ELBOW MIDDLE SECTION	1
3	357-51-00-250	STAINLESS STEEL WASHER	1
4	357-51-00-258	LOWER STAINLESS STEEL WASHER	1
5	364-62-02-204	RUBBER PLUG	1
6	R07891	7/16 2-WAY LOCK NUT	1
7	R07690	5/16 x 5/8 HEX BOLT	2
8	357-51-00-249	SPRING	1
9	R07689	7/16 x 7 HEX BOLT	1
10	R07833	7/16" SAE FLAT WASHER	2
11	R08178	7/16 NYLOCK HEX NUT	1

# SLIDE LID KIT



## SLIDE LID KIT CON'T

PARTS LIST			
ITEM	PART NUMBER	DESCRIPTION	QTY
1	357-45-01-000	MANHOLE ASSY	1
1.1	357-45-01-204	FRONT LOWER PANEL	1
1.2	357-45-01-205	FRONT UPPER PANEL	1
1.3	357-45-01-202	SIDES	2
1.4	357-45-01-203	REAR PANEL	1
1.5	357-45-01-257	SIDE LOWER GUIDE BARS	2
1.6	357-45-01-206	SIDE UPPER GUIDE BARS	2
1.7	357-45-01-207	REAR GUIDE BAR	2
2	357-45-02-000	RH SLIDE RAIL ASSY	1
2.1	357-45-02-209	SLIDE RAIL	1
2.2	357-45-02-210	SLIDE RAIL LEG	1
2.3	357-45-01-208	LOWER GUIDE	2
(3)	357-45-05-000	LID ASSY - AIR	*
3	357-45-03-000	LID ASSY - HYDRAULIC	1
3.1	357-45-03-213	SLIDE LID	1
3.2	357-45-03-214	SLIDE LID LUG	1
(3.2)	357-45-05-242	SLIDE LID LUG - AIR	*
4	357-45-04-000	LH SLIDE RAIL ASSY	1
4.1	357-45-02-209	SLIDE RAIL	1
4.2	357-45-02-210	SLIDE RAIL LEG	1
4.3	357-45-01-208	LOWER GUIDE	2
(5)	R21575	AIR CYLINDER	*
5	R22162	2 x 24" HYDRAULIC CYLINDER	1
(6)	357-45-06-000	TANK LUG ASSY FOR AIR CYLINDER	*
6	357-45-07-000	TANK LUG ASSY FOR HYD CYLINDER	1
6.1	368-54-02-425	CYLINDER BRKT BASE PLATE	1
6.2	357-45-07-254	TANK LUG FOR HYD CYLINDER	1
(6.2)	357-45-06-243	TANK LUG FOR AIR CYLINDER	*
7	357-45-09-000	SAFETY GRATE ASSY	1
7.1	357-45-08-000	SAFETY BAR ASSY	1
7.1.1	357-45-08-274	SAFETY BAR	1
7.1.2	R08320	1/2 S.S. FLAT WASHER	1
7.2	357-45-08-274	SAFETY BAR	2
7.3	357-45-09-314	SAFETY RING	1
8	357-45-00-211	STRAP	1
9	357-45-00-212	RUBBER	1
10	R07611	5/16 x 1" HEX BOLT	5
11	R07782	5/16 HEX NUT	5
12	R07802	5/16 LOCK WASHER	5
13	R08207	5/32 x 1 1/2 S.S. COTTER PIN	3





# HYDRAULIC DIRECT DRIVE KIT CON'T

PARTS LIST			
ITEM	PART NUMBER	DESCRIPTION	QTY
1	384-02-01-000	DIRECT HYD DRIVE MOUNT PL ASSY	1
1.1	384-02-01-207	REINFORCING ANGLES	2
1.2	384-02-01-002	R.H. EXTENSION PLATE	1
1.3	384-02-01-003	L.H. EXTENSION PLATE	1
1.4	384-02-01-004	MOTOR MOUNT PLATE	1
1.5	384-02-01-012	REINFORCING STRAP	2
2	384-02-05-000	3/4" HYD HOSE ASSY	2
2.1	R20824	3/4" FERRULE	2
2.2	R21241	3/4" MALE SOLID STEM	2
2.3	384-02-05-074	HYDRAULIC HOSE	1
3	384-02-06-000	HYDRAULIC HOSE ASSY 3/4"	2
3.1	384-02-06-196	3/4" HYDRAULIC HOSE	1
3.2	R21241	3/4" MALE SOLID STEM	2
3.3	R20824	3/4" FERRULE	2
4	384-02-07-000	HYDRAULIC HOSE ASSY - CASE DRAIN	1
4.1	384-02-04-197	HYDRAULIC HOSE - CASE DRAIN	1
4.2	R21231	STEEL FERRULE - 1/4"	2
4.3	R20802	1/4 - 18 NPT SOLID MALE STEM	2
5	R07744	1/2" x 2 CARRIAGE BOLT	4
6	R21422	MS160 HYDRAULIC MOTOR	1
7	R07911	3/8 x 3/4" SET SCREW	2
8	384-02-00-007	60B - 18 SPR.-1 1/4" STR SHAFT	1
9	384-02-00-072	SPROCKET FOR 6 TOOTH SPLINE	1
10	R20883	60-18 COUPLING CHAIN	1
11	R07805	1/2 LOCK WASHER	4
12	R07785	1/2 HEX NUT	4
13	384-02-00-005	GUARD	1
14	R07801	1/4 LOCK WASHER	6
15	R07698	1/4 x 1/2 HEX BOLT	2
16	R21202	3/4" NPT IN-LINE CHECK VALVE	1
17	R21308	45 DEG x 7/16 SAE x 1/4 NPT ADAPTOR	1
18	384-02-00-008	HYD HOSE CLAMP	1
19	R08302	3/8-16 UNC x 1 5/8" WELD STUD	4
20	351-00-00-009	HYD. HOSE FASTENER	3
21	R07794	3/8 FLANGE NUT	4
22	R21104	HYD. HOSE CLIPS	4
23	R08301	1/4 x 20 UNC x 1/2" WELD STUD	4
24	R07781	1/4 HEX NUT	4
25	R20815	7/8-14 SAE M x 3/4" ADAPTOR	1
26	R21401	3/4 HEX COUPLING 24SJ-12	2
27	R21406	3/4 NPT PLASTIC PLUG	2
28	R20617	60 - 18 COUPLING COVER	1
29	R21521	"ROTATING DRIVE LINE" DECAL	1
30	R09787	GREASE SYMBOL DECAL	1
31	R21393	3/4" HYDRAULIC TEE	2
32	R21323	7/8" x 3/4" NPT SWIVEL ADAPTOR	1
33	R21332	3/4M x 3/4F NPT 90 SWIVEL ADAPTOR	1

