

Office Copy

Date Purchased _____ Machine Serial No. _____ 07/31/2007 - 22ma
Size of Spreader _____ Options _____ Dec 14/07 - 4"
Jan 10/08 - 6"
Oct 23/08 - 5"

The key number system in this parts book is arranged as follows:

- ⊙ - Key numbers with two circles denotes main assemblies.
- - Key numbers with one circle are individual parts

Please order parts by number



ELITE TRUCKMOUNT TANK

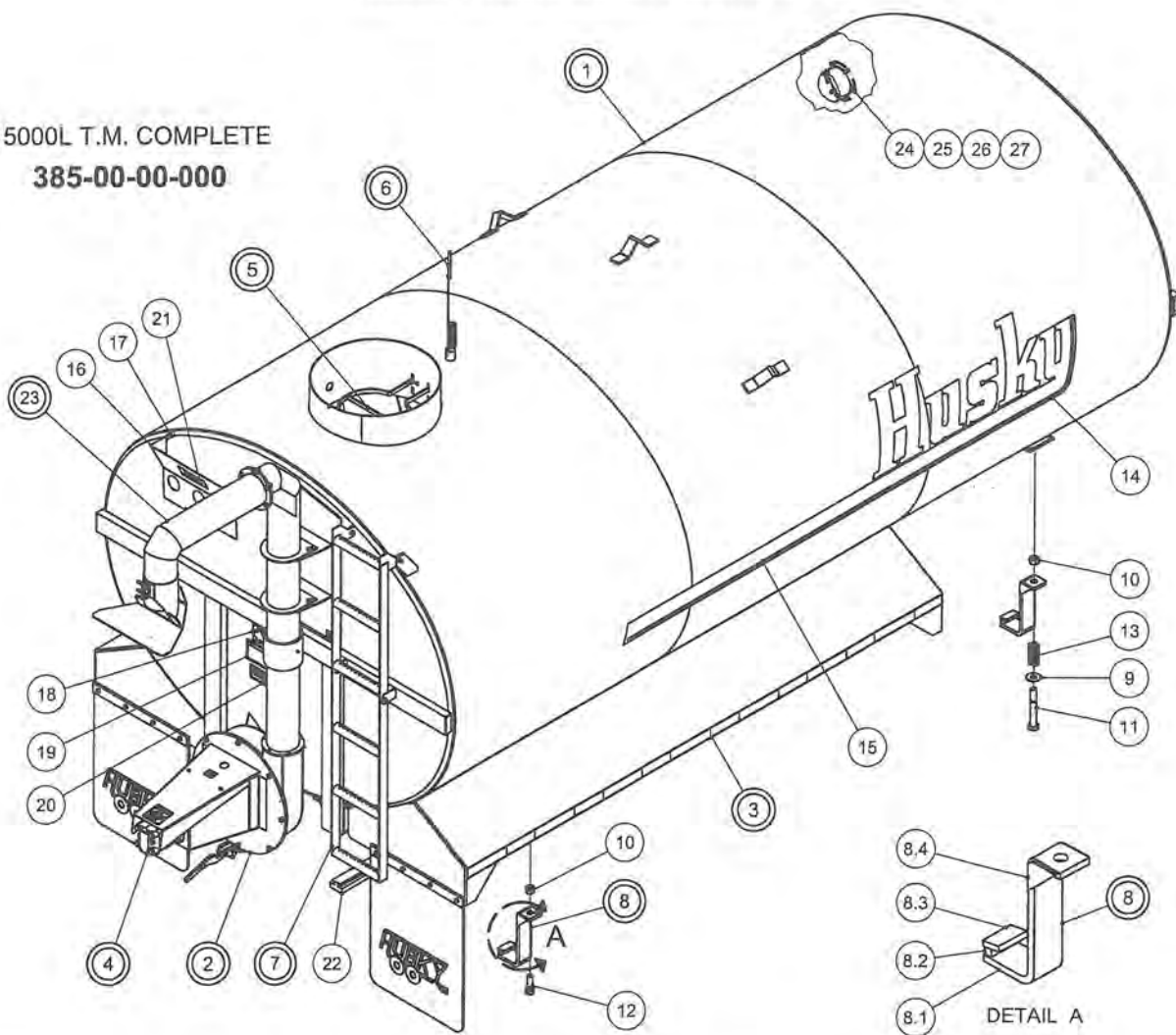
15000L TRUCKMOUNT TANK – 385-00-00-000

OPERATING INSTRUCTIONS:

1. Do not operate machine until you fully understand the safe operating practices.
2. Make sure all moving parts are shielded to prevent coming in contact with clothing.
3. Wash tank after each use. This will increase the life of the tank by many years.
4. After spreading in freezing conditions, make sure impeller housing is fully drained.
5. Much of the fertilizer value of manure is lost when exposed to air. Getting the manure covered quickly is a very important part of spreading manure.
6. EXTREME DANGER – Never enter a dirty manure spreader or storage tank – one breath of hydrogen sulphide gas is enough to kill. Have a ladder in your pit, so that if by accident you should fall in, you can get out.

15000L TRUCK MOUNT COMPLETE

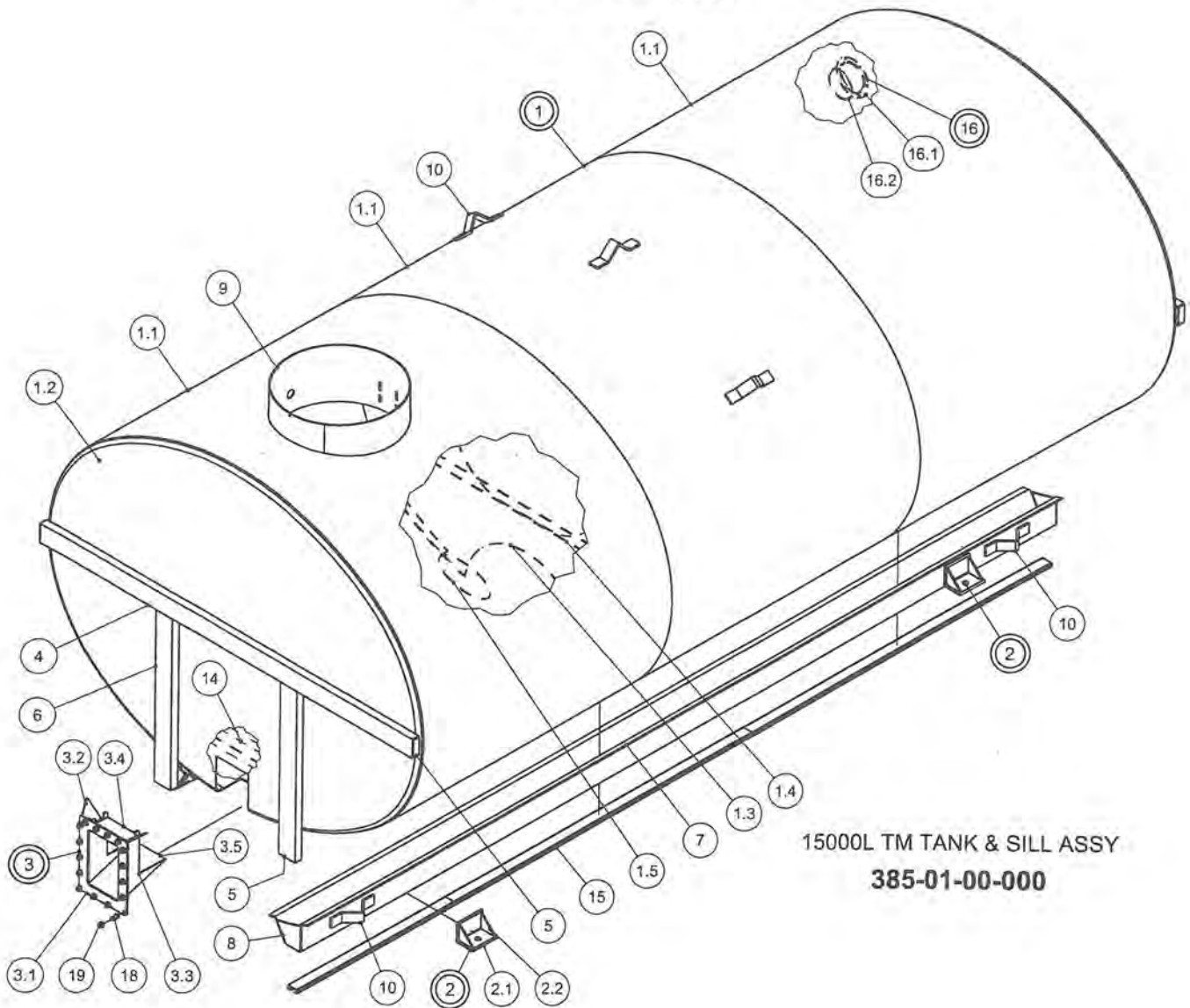
15000L T.M. COMPLETE
385-00-00-000



PARTS LIST				PARTS LIST			
ITEM	PART NUMBER	DESCRIPTION	QTY	ITEM	PART NUMBER	DESCRIPTION	QTY
1	385-01-00-000	15000L TANK,SILL,FUNNEL ASSY	1	14	R09510	"HUSKY" DECAL	2
2	364-23-01-000	540 FAN & HOUSING KIT	1	15	R09511	ACCENT STRIP	2
3	332-27-00-000	TAPER FENDER KIT - NO LIGHTS	1	16	372-00-00-045	STICKER PLATE	1
4	384-02-00-000	HYDRAULIC DIRECT DRIVE KIT	1	17	372-00-00-046	STICKER PLATE BRKT	2
5	357-63-00-000	SAFETY BAR ASSY	1	18	R09509	"MADE IN CANADA" DECAL - LARGE	1
6	340-62-00-000	INDICATOR KIT	1	19	R09784	"DANGER TOXIC GAS" DECAL	1
7	364-95-00-000	LADDER ASSY	1	20	R09512	CAPACITY DECAL	1
8	316-24-00-000	HOLD DOWN ASSY	4	21	R09502	"HUSKY" DECAL	1
8.1	316-24-00-044	BRKT MAIN PC	1	22	R10483	RUBBER T-STRIP	4
8.2	316-24-00-045	SPACER BAR	1	23	384-05-00-000	6" REAR DISCHARGE KIT	1
8.3	316-24-00-046	HOLD DOWN RETURN	1	24	330-00-00-559	ACCESS TUBE COVER PLATE	1
8.4	316-24-00-047	GUSSET	2	25	R07619	3/8 x 1 UNC HEX BOLT	6
9	R07828	1" FLAT WASHER	2	26	R07803	3/8" LOCK WASHER	6
10	R08246	1" - 8 UNC NYLOCK HEX NUT	4	27	R07783	3/8-16 UNC HEX NUT	6
11	R07669	1 x 8" HEX BOLT	2	28	R09071	SERIAL NUMBER PLATE	1
12	R07663	1 x 3" HEX BOLT	2	29	R08152	6 x 1/4 PAN HD SOCKET SCREW	2
13	R08034	HP 88 1 x 4 SPRING	2				

NOT SHOWN IN DWG - LOCATED AT FRONT LH SIDE OF SILL

15000L TM TANK ASSY

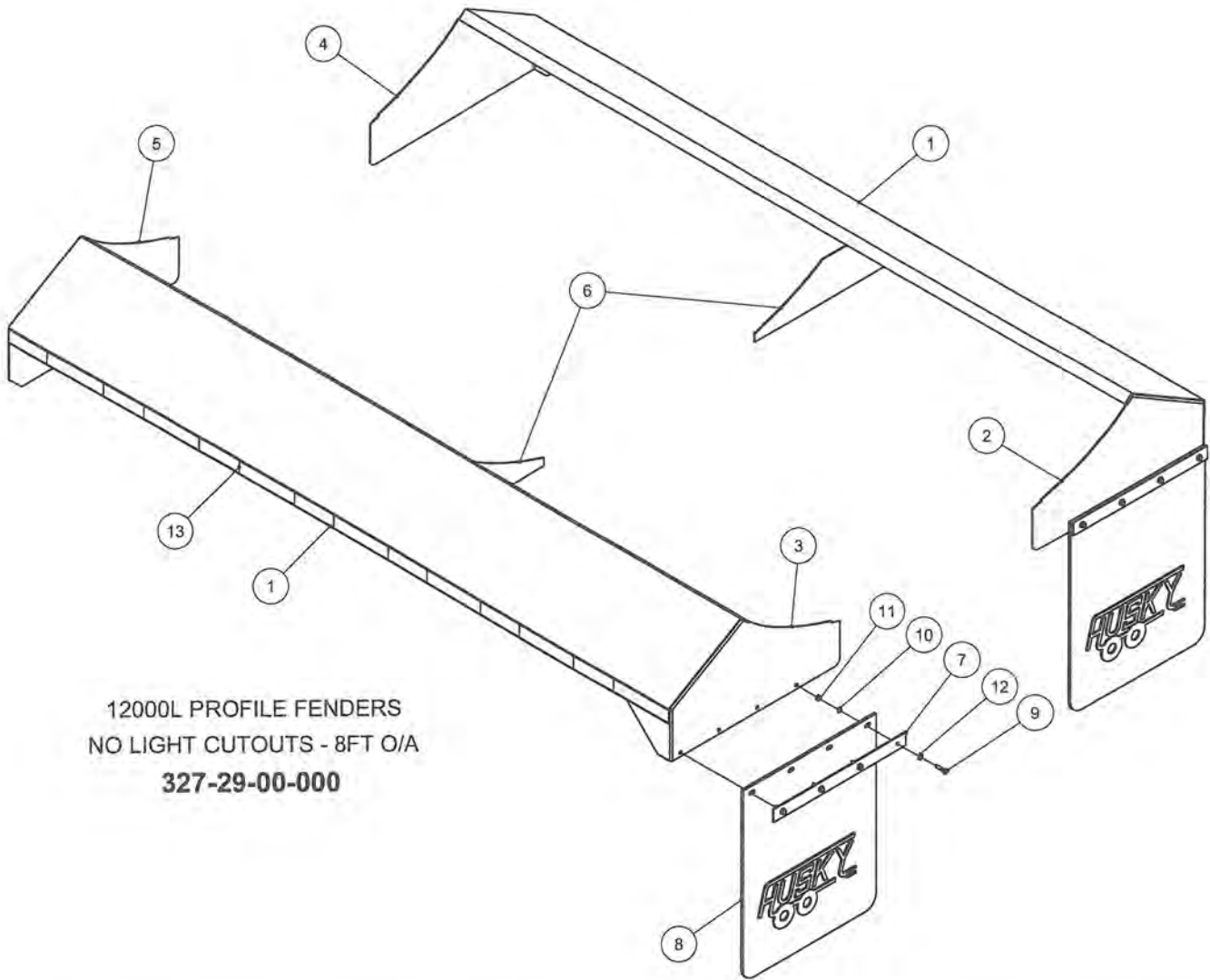


15000L TM TANK & SILL ASSY
385-01-00-000

PARTS LIST				PARTS LIST			
ITEM	PART NUMBER	DESCRIPTION	QTY	ITEM	PART NUMBER	DESCRIPTION	QTY
1	335-01-01-000	15000L TANK ASSY	1	4	330-66-00-257	TANK END STIFFENER	2
1.1	335-01-01-002	15000L TANK SHELL	3	5	330-66-00-258	STIFFENER END CAP	8
1.2	330-66-21-254	14 & 15000L FLANGED TANK END	2	6	332-11-00-051	VERTICAL REINFORCING CHANNEL	4
1.3	330-66-21-256	14 & 15000L FLANGED TANK BAFFLE	1	7	333-26-00-049	15000L TRUCK MOUNT SILL	2
1.4	330-66-21-570	14 & 15L PROFILE BAFFLE REINF. BAR	2	8	332-11-00-026	SILL CAP	4
1.5	340-01-01-559	OVAL REINFORCING PLATE	2	9	364-02-00-006	24" MANHOLE	1
2	316-22-00-000	HOLD DOWN BRKT ASSY	4	10	300-01-00-012	TANK LIFT HOOK	7
2.1	316-22-00-012	HOLD DOWN ANGLE BRKTS	1	14	384-01-00-246	INSIDE CROSS SUPPORT CHANNEL	1
2.2	316-22-00-035	HOLD DOWN ANGLE GUSSET	2	15	R10482	RUBBER MOUNTING SILL CHANNEL	6
3	364-82-00-000	FLANGED TANK OUTLET	1	16	330-20-03-000	ACCESS TUBE ASSY	1
3.1	364-81-02-393	HOUSING FLANGE	1	16.1	330-20-03-560	ACCESS TUBE FLANGE	1
3.2	364-82-00-395	LH OUTLET SIDE PC	1	16.2	330-20-03-556	ACCESS TUBE	1
3.3	364-82-00-396	RH OUTLET SIDE PC	1	17	340-01-00-498	SERIAL NO. BACK PLATE	1
3.4	364-01-03-104	OUTLET TOP PC	1	18	R07674	1/2 x 1 1/4 UNC HEX BOLT	16
3.5	364-01-03-105	OUTLET BOTTOM PC	1	19	R07795	1/2-13 UNC FLANGE NUT	16

NOT SHOWN IN DWG - LOCATED AT FRONT LH SIDE OF SILL

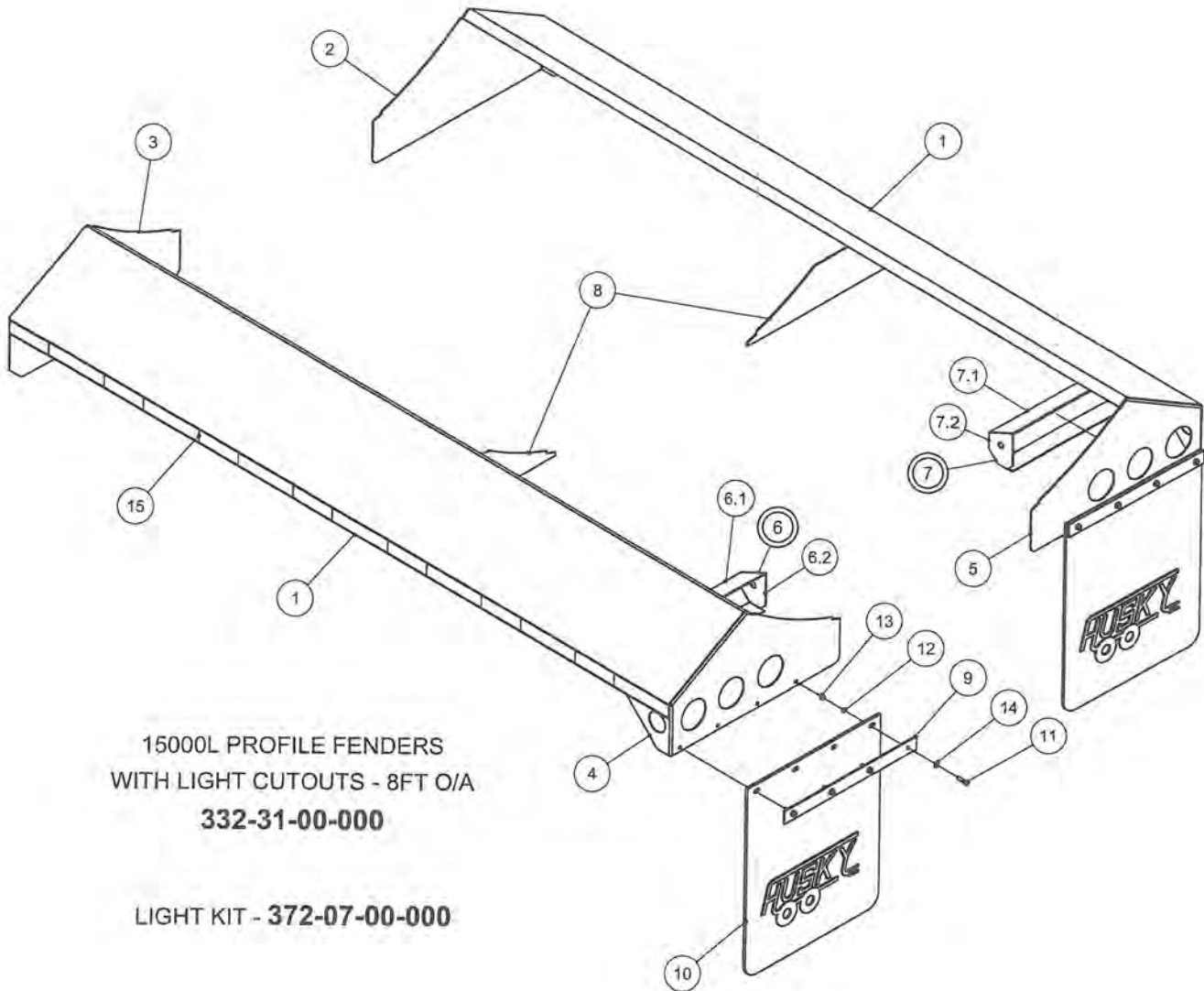
12000L PROFILE FENDERS
NO LIGHTS - 8FT O/A



12000L PROFILE FENDERS
NO LIGHT CUTOUTS - 8FT O/A
327-29-00-000

PARTS LIST			
ITEM	PART NUMBER	DESCRIPTION	QTY
1	327-29-00-061	12000L FENDER-8FT O/A WIDTH	2
2	327-29-00-076	RH FENDER END-NO LIGHTS-8FT O/A	1
3	327-29-00-077	LH FENDER END-NO LIGHTS-8FT O/A	1
4	327-29-00-062	RH FRONT FENDER CAP - 12000L-8FT O/A	1
5	327-29-00-063	LH FRONT FENDER CAP - 12000L-8FT O/A	1
6	327-29-00-064	12000L FENDER GUSSET - 8FT O/A	2
7	332-27-00-083	MUDFLAP CLAMP STRAP	2
8	R09528	HUSKY MUDFLAP	2
9	R07620	3/8 x 1 1/2 HEX BOLT	8
10	R07803	3/8 LOCK WASHER	8
11	R07783	3/8 HEX NUT	8
12	R07823	3/8 FLAT WASHER	8
13	R10361	REFLECTOR TAPE - RED/SILVER	2

**15000L PROFILE FENDERS
WITH LIGHTS - 8FT O/A**

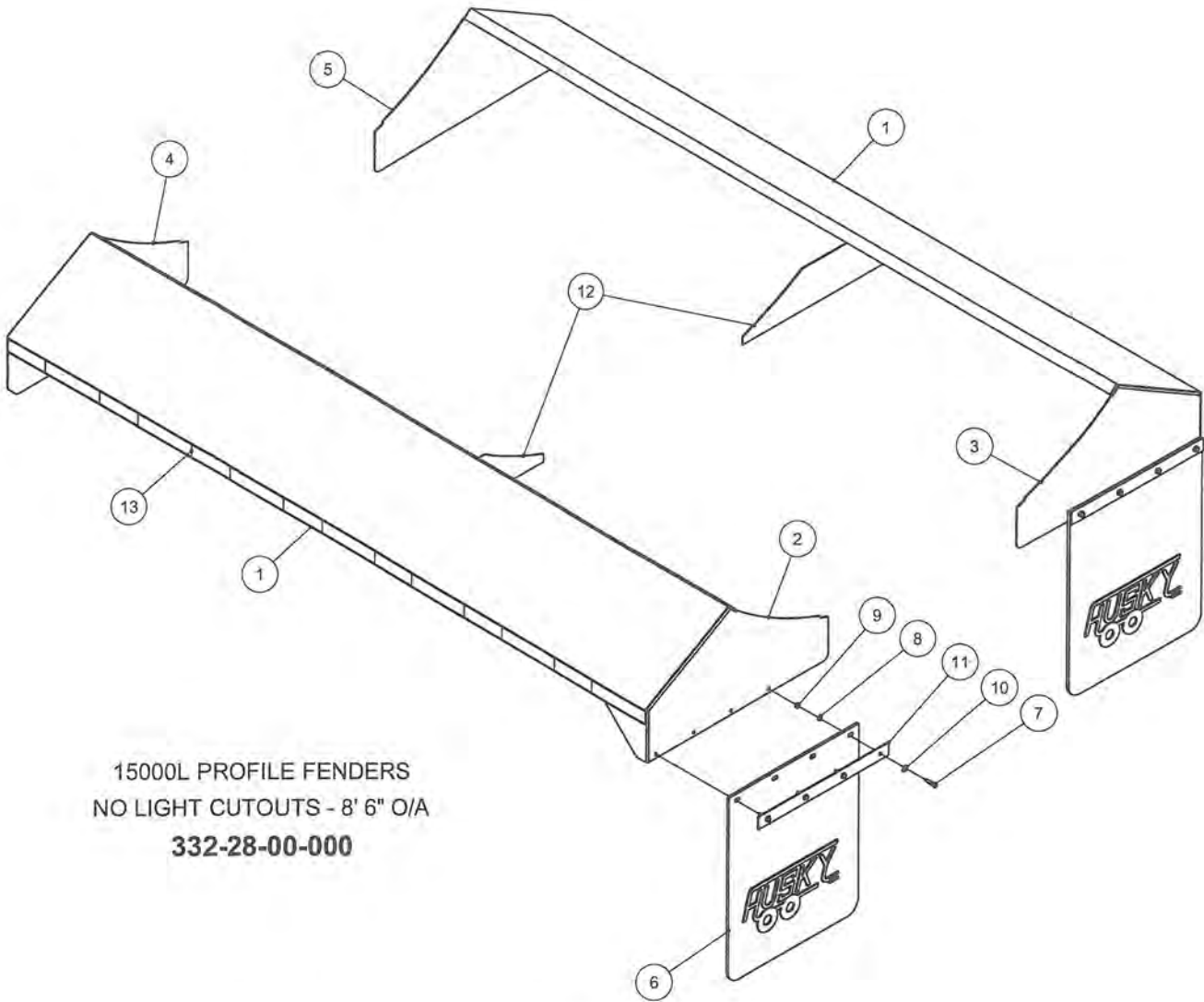


**15000L PROFILE FENDERS
WITH LIGHT CUTOUTS - 8FT O/A
332-31-00-000**

LIGHT KIT - 372-07-00-000

PARTS LIST				PARTS LIST			
ITEM	PART NUMBER	DESCRIPTION	QTY	ITEM	PART NUMBER	DESCRIPTION	QTY
1	332-27-00-054	FENDER 14000L PROFILE-96" WIDE	2	7.2	332-33-01-080	INNER LIGHT COVER END CAP	1
2	332-27-00-053	RH FRONT FENDER CAP	1	8	332-27-00-055	FENDER GUSSET - 14000L 8' WIDE	2
3	332-27-00-056	LH FRONT FENDER CAP	1	9	332-27-00-083	MUDFLAP CLAMP STRAP	2
4	332-31-00-072	LH REAR FENDER CAP w/ LIGHTS	1	10	R09528	HUSKY MUDFLAP	2
5	332-31-00-071	RH REAR FENDER CAP w/ LIGHTS	1	11	R07620	3/8 x 1 1/2 HEX BOLT	8
6	332-33-02-000	LH INNER LIGHT COVER ASSY	1	12	R07803	3/8 LOCK WASHER	8
6.1	332-33-01-079	INNER LIGHT COVER	1	13	R07783	3/8 HEX NUT	8
6.2	332-33-01-080	INNER LIGHT COVER END CAP	1	14	R07823	3/8 FLAT WASHER	8
7	332-33-01-000	RH INNER LIGHT COVER ASSY	1	15	R10361	REFLECTOR TAPE - RED/SILVER	2
7.1	332-33-01-079	INNER LIGHT COVER	1				

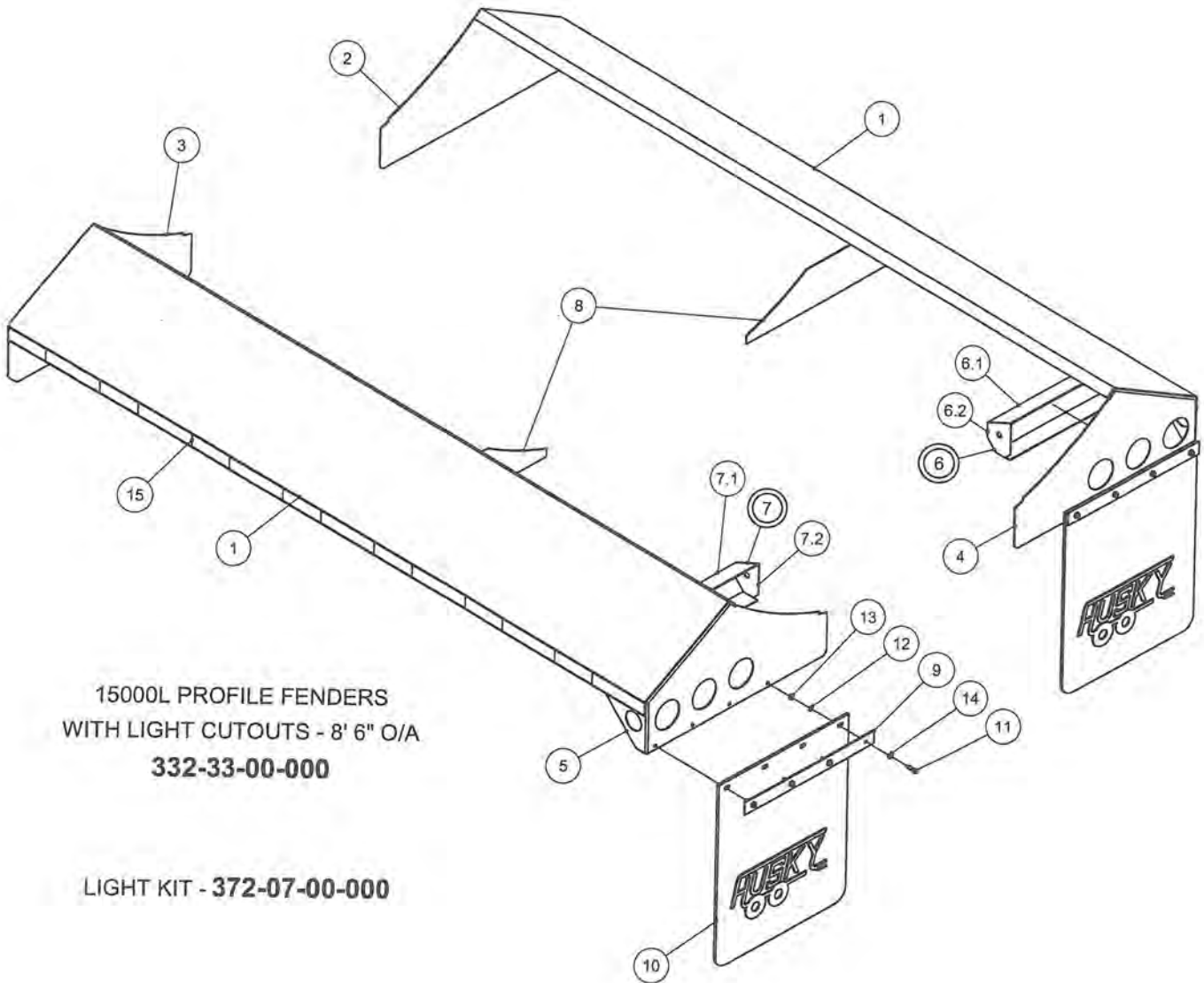
**15000L PROFILE FENDERS
NO LIGHTS - 8' 6" O/A**



**15000L PROFILE FENDERS
NO LIGHT CUTOUTS - 8' 6" O/A
332-28-00-000**

PARTS LIST			
ITEM	PART NUMBER	DESCRIPTION	QTY
1	332-28-00-060	FENDER 14000L PROFILE - 102" O/A	2
2	332-28-00-057	RH REAR END CAP w/o LIGHTS-8'6" O/A	1
3	332-28-00-058	LH REAR END CAP w/o LIGHTS-8'6" O/A	1
4	332-33-00-085	LH FRONT END CAP - 8'6" O/A	1
5	332-33-00-084	RH FRONT END CAP - 8'6" O/A	1
6	R09528	HUSKY MUDFLAP	2
7	R07620	3/8 x 1 1/2 HEX BOLT	8
8	R07803	3/8 LOCK WASHER	8
9	R07783	3/8 HEX NUT	8
10	R07823	3/8 FLAT WASHER	8
11	332-27-00-083	MUDFLAP CLAMP STRAP	2
12	332-28-00-059	14000L FENDER GUSSET - 8'6" O/A	2
13	R10361	REFLECTOR TAPE - RED/SILVER	2

**15000L PROFILE FENDERS
WITH LIGHTS - 8' 6" O/A**

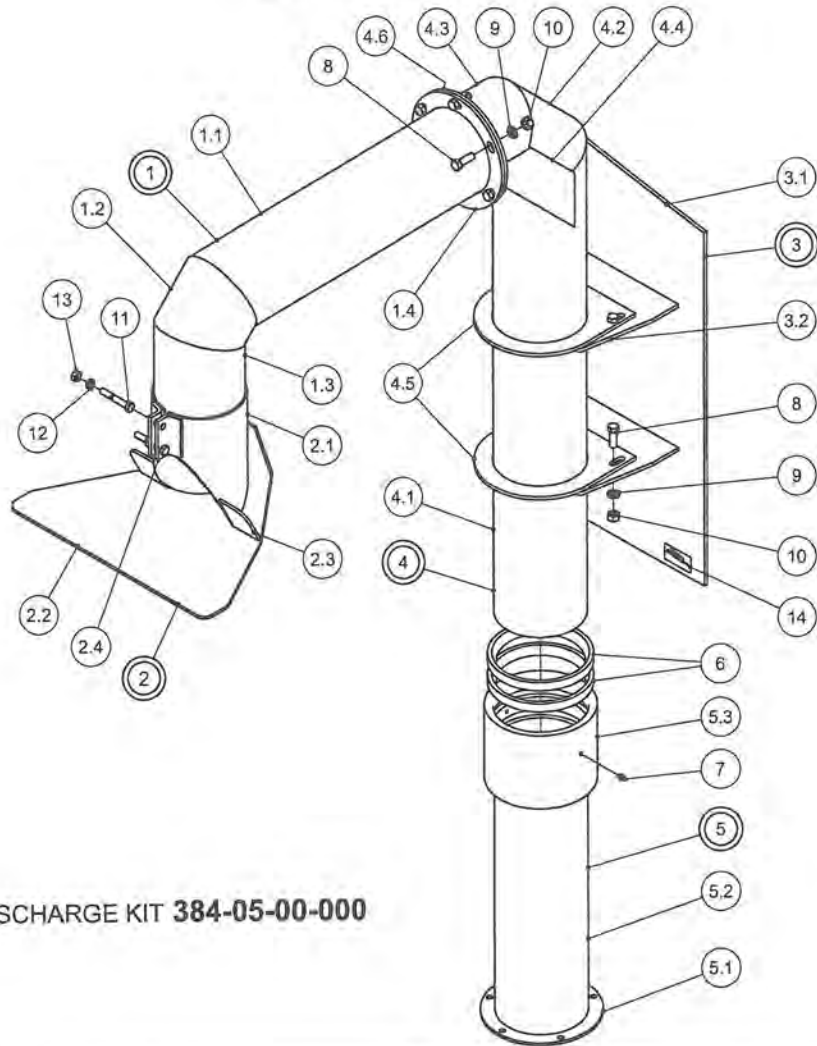


15000L PROFILE FENDERS
WITH LIGHT CUTOUTS - 8' 6" O/A
332-33-00-000

LIGHT KIT - **372-07-00-000**

PARTS LIST				PARTS LIST			
ITEM	PART NUMBER	DESCRIPTION	QTY	ITEM	PART NUMBER	DESCRIPTION	QTY
1	332-28-00-060	FENDER 14000L PROFILE - 102" O/A	2	7.2	332-33-01-080	INNER LIGHT COVER END CAP	1
2	332-33-00-084	RH FRONT END CAP - 8'6" O/A	1	8	332-28-00-059	14000L FENDER GUSSET - 8'6" O/A	2
3	332-33-00-085	LH FRONT END CAP - 8'6" O/A	1	9	332-27-00-083	MUDFLAP CLAMP STRAP	2
4	332-33-00-078	RH REAR END CAP w/ LIGHTS-8'6" O/A	1	10	R09528	HUSKY MUDFLAP	2
5	332-33-00-081	LH REAR END CAP w/ LIGHTS-8'6" O/A	1	11	R07620	3/8 x 1 1/2 HEX BOLT	8
6	332-33-01-000	RH INNER LIGHT COVER ASSY	1	12	R07803	3/8 LOCK WASHER	8
6.1	332-33-01-079	INNER LIGHT COVER	1	13	R07783	3/8 HEX NUT	8
6.2	332-33-01-080	INNER LIGHT COVER END CAP	1	14	R07823	3/8 FLAT WASHER	8
7	332-33-02-000	LH INNER LIGHT COVER ASSY	1	15	R10361	REFLECTOR TAPE - RED/SILVER	2
7.1	332-33-01-079	INNER LIGHT COVER	1				

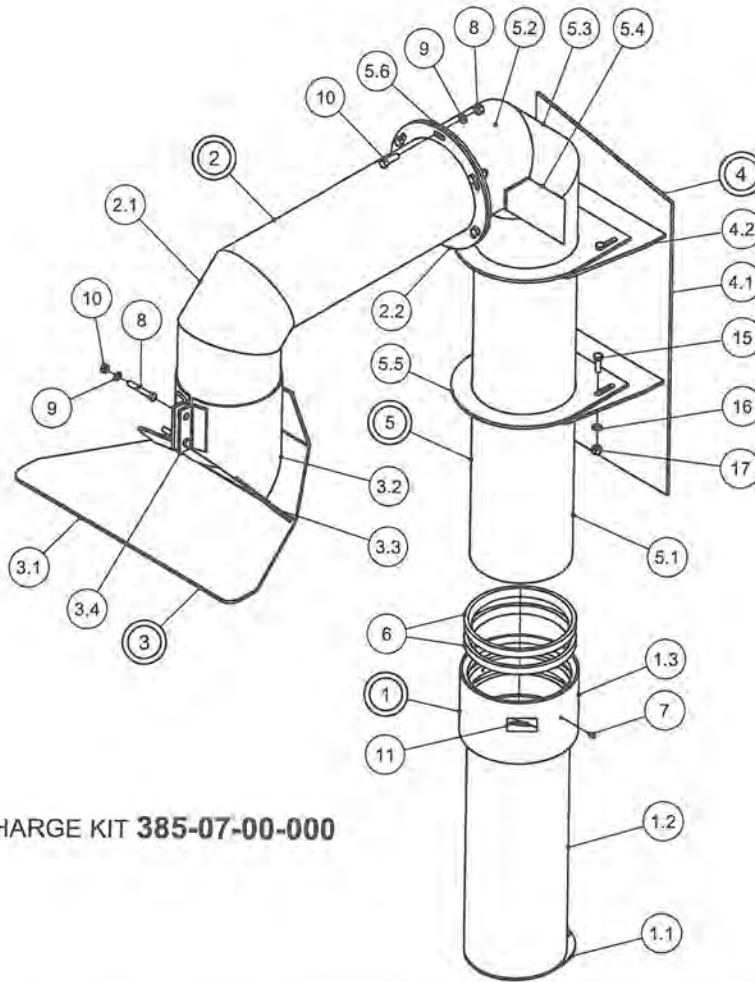
6" REAR DISCHARGE KIT



6" REAR DISCHARGE KIT 384-05-00-000

PARTS LIST				PARTS LIST			
ITEM	PART NUMBER	DESCRIPTION	QTY	ITEM	PART NUMBER	DESCRIPTION	QTY
1	364-25-00-000	DISCHARGE PIPE END SECTION ASSY	1	4.4	384-05-02-097	GUSSET	2
1.1	364-25-00-088	DISCHARGE PIPE FLANGE PC	1	4.5	384-05-02-069	TUBE ATTACHMENT BRKT	2
1.2	364-19-00-082	DISCHARGE PIPE CORNER PC	1	4.6	364-19-00-087	DISCHARGE PIPE FLANGE	1
1.3	364-25-00-067	DISCHARGE PIPE END PC	1	5	384-05-06-000	DOUBLE SEAL HOLDER ASSY	1
1.4	364-19-00-087	DISCHARGE PIPE FLANGE	1	5.1	364-01-03-376	DISCHARGE RING	1
2	364-68-00-000	SPLASH PLATE ASSY	1	5.2	384-05-06-343	LONG EXTENSION TUBE	1
2.1	364-68-00-215	CLAMPING TUBE	1	5.3	384-05-01-025	DOUBLE SEAL HOLDER	1
2.2	364-21-00-069	SPLASH PLATE	1	6	R02366	6" RUBBER GASKET	2
2.3	364-21-00-224	SPLASH PLATE WING	2	7	R08183	1/4" - 28 STRAIGHT GREASE FITTING	2
2.4	364-21-00-071	CLAMPING TUBE BRKT	2	8	R07671	7/16 x 1 1/4 HEX BOLT	10
3.1	385-05-04-144	PIPE HOLDER BACK PLATE	1	9	R07804	7/16 LOCK WASHER	10
3	384-05-03-000	DISCHARGE SUPPORT ASSY - 6" PIPE	1	10	R07784	7/16 HEX NUT	10
3.2	384-05-03-070	TANK BRKT	2	11	R07622	3/8 x 2 1/2 HEX BOLT	2
4	384-06-02-000	VERTICAL DISCHARGE PIPE ASSY	1	12	R07803	3/8 LOCK WASHER	2
4.1	384-06-02-037	VERTICAL DISCHARGE TUBE	1	13	R07783	3/8 HEX NUT	2
4.2	384-05-02-028	PIPE CORNER PC	1	14	R09662	SYN. GREASE DECAL	1
4.3	384-05-02-029	PIPE END PC	1				

8" REAR DISCHARGE KIT



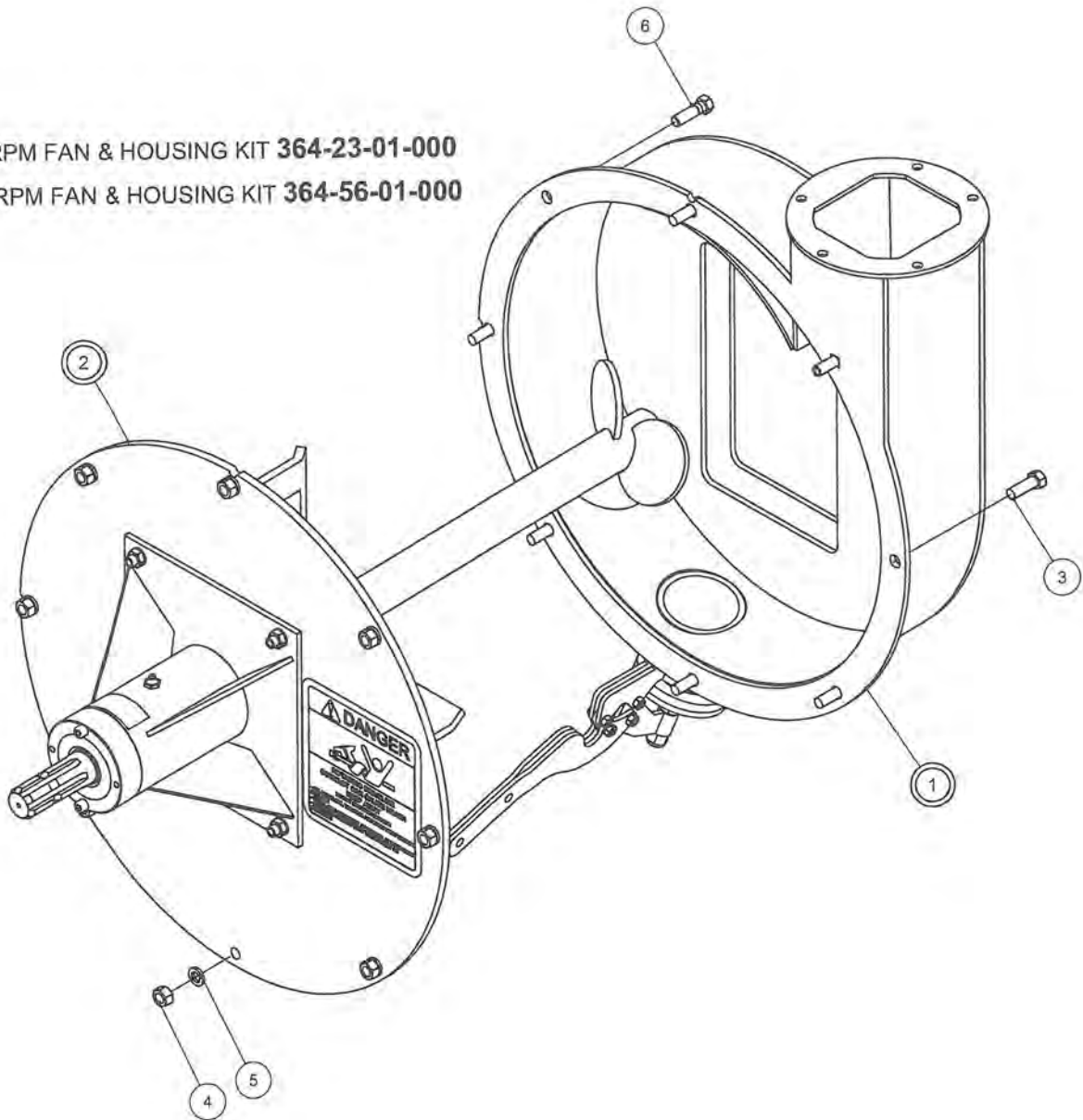
8" REAR DISCHARGE KIT 385-07-00-000

PARTS LIST				PARTS LIST			
ITEM	PART NUMBER	DESCRIPTION	QTY	ITEM	PART NUMBER	DESCRIPTION	QTY
1	385-07-03-000	HOUSING TO DOUBLE SEAL HOLDER-LONG	1	5.1	385-05-09-145	8" VERTICAL DISCHARGE TUBE	1
1.1	358-92-01-301	8" HOUSING DISCHARGE RING	1	5.2	385-05-09-146	ELBOW END PC	1
1.2	385-07-03-344	DOUBLE SEAL HOLDER EXT. PIPE	1	5.3	385-05-09-147	ELBOW MIDDLE PC	1
1.3	386-05-01-073	8" DOUBLE SEAL HOLDER	1	5.4	384-05-02-097	GUSSET	2
2	358-92-03-000	8" EXTENSION PIPE ASSY	1	5.5	357-47-01-227	8" PIPE MOUNT BRKT	2
2.1	358-92-03-307	8" EXTENSION PIPE	1	5.6	358-92-02-306	8" DISCHARGE FLANGE	1
2.2	358-92-02-306	8" DISCHARGE FLANGE	1	6	R02360	8" SQ RAINWAY/HUSKY GASKET	2
3	358-92-04-000	8" SPLASH PLATE ASSY	1	7	R08183	1/4" - 28 STRAIGHT GREASE FITTING	2
3.1	358-92-04-308	8" SPLASH PLATE	1	8	R07622	3/8 x 2 1/2 HEX BOLT	2
3.2	358-92-04-309	8" SPLASH PLATE TUBE	1	9	R07803	3/8 LOCK WASHER	2
3.3	358-92-04-310	WING FOR 8" SPLASH PLATE	2	10	R07783	3/8 HEX NUT	2
3.4	358-92-04-311	CLAMPING TUBE BRKT	2	11	R09662	SYN. GREASE DECAL	1
4	385-05-04-000	8" VERTICAL DISCHARGE PIPE HOLDER ASSY	1	12	R07804	7/16 LOCK WASHER	6
4.1	385-05-04-144	PIPE HOLDER BACK PLATE	1	13	R07671	7/16 x 1 1/4 HEX BOLT	6
4.2	357-47-00-226	8" TANK MOUNT BRKT	2	14	R07784	7/16 HEX NUT	6
5	385-05-09-000	8" VERTICAL DISCHARGE PIPE ASSY	1	15	R07671	7/16 x 1 1/4 UNC HEX BOLT	4
				16	R07804	7/16" LOCK WASHER	4
				17	R07784	7/16-14 UNC HEX NUT	4

TRUCKMOUNT FAN & HOUSING KIT

540 RPM FAN & HOUSING KIT **364-23-01-000**

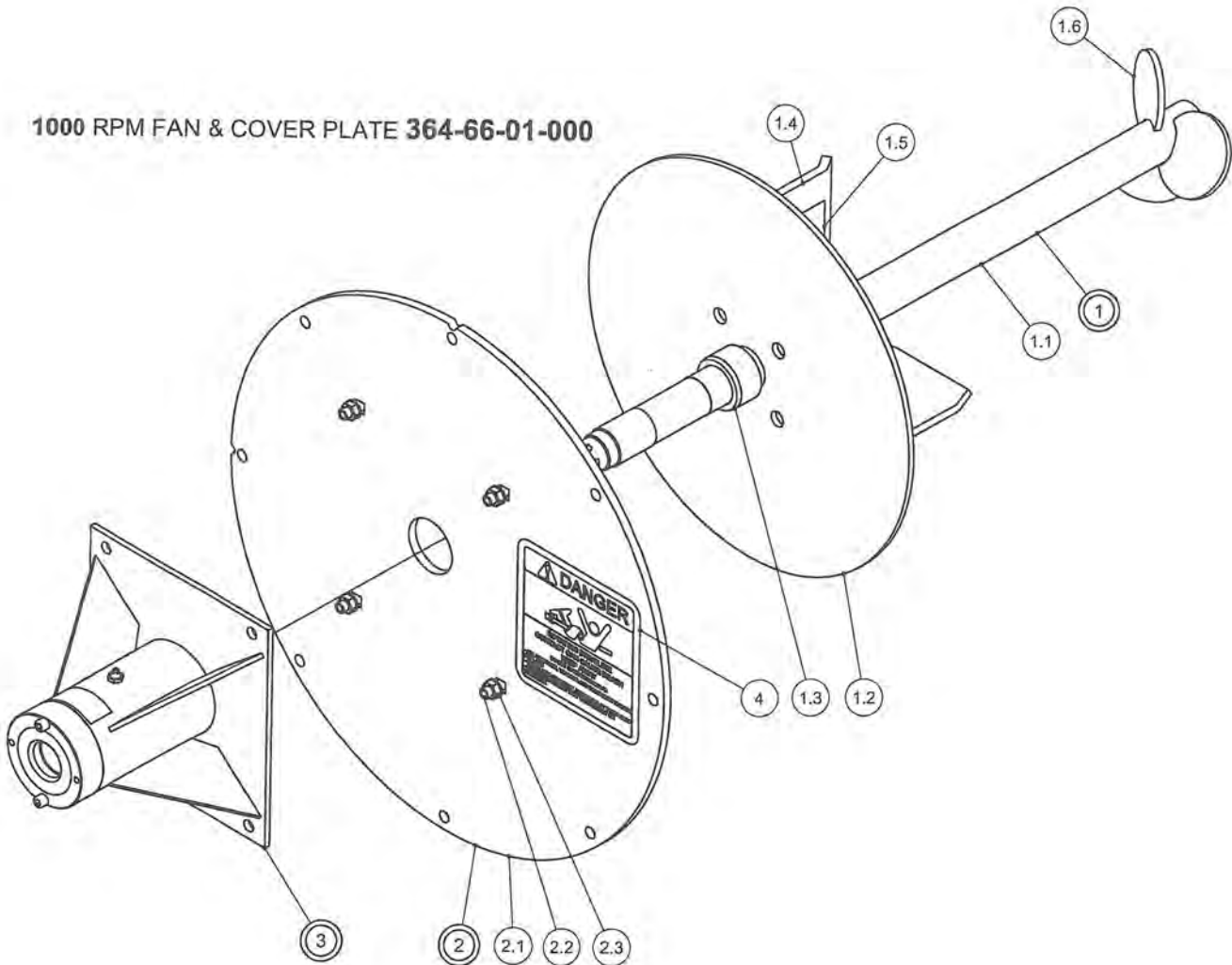
1000 RPM FAN & HOUSING KIT **364-56-01-000**



PARTS LIST			
ITEM	PART NUMBER	DESCRIPTION	QTY
1	364-81-00-000	FAN HOUSING ASSY COMPLETE	1
2	364-65-01-000	540 RPM FAN & COVER PLATE	1
	364-66-01-000	1000 RPM FAN & COVER PLATE	1
3	R07671	7/16 x 1 1/4 HEX BOLT	6
4	R07784	7/16 HEX NUT	8
5	R07804	7/16 LOCK WASHER	8
6	R07629	7/16 x 1 1/2 HEX BOLT	1

1000 RPM T.M. FAN & COVER PLATE

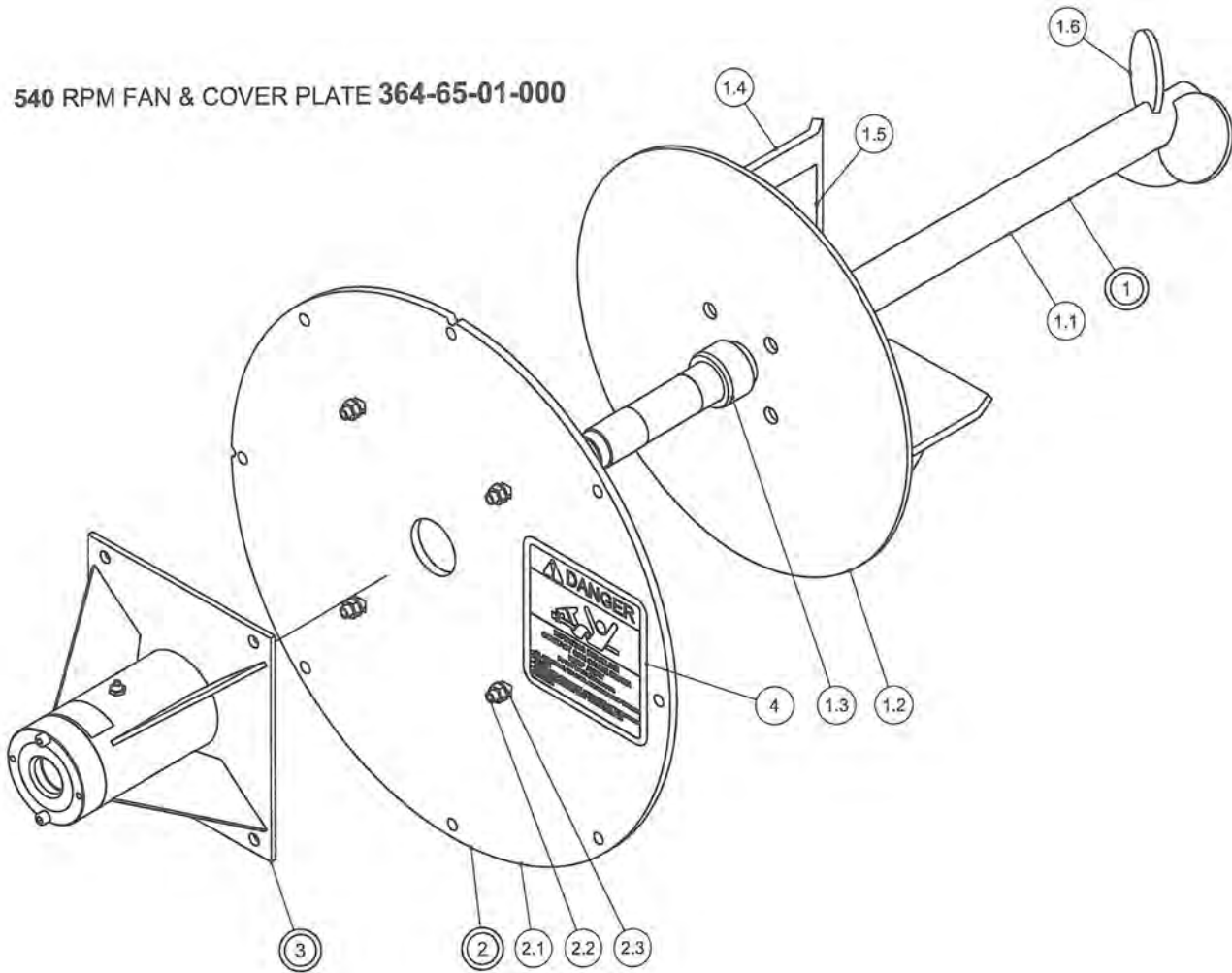
1000 RPM FAN & COVER PLATE 364-66-01-000



PARTS LIST			
ITEM	PART NUMBER	DESCRIPTION	QTY
1	364-73-00-000	1000 RPM SHAFT & IMPELLER ASSY - CHT	1
1.1	364-72-00-226	FAN SHAFT	1
1.2	364-63-00-209	FAN BACK PLATE	1
1.3	R20238	HARDENED SEAL SLEEVE	1
1.4	364-64-00-210	CHT 1000 RPM FAN BLADE	4
1.5	364-72-00-422	FAN BLADE GUSSET	4
1.6	364-72-00-227	AGITATOR BLADE	3
2	364-67-00-000	COVER PLATE ASSY	1
2.1	364-67-00-211	HOUSING COVER PLATE	1
2.2	R07774	7/16 x 1 1/4" GR 5 CARRIAGE BOLT	4
2.3	R07879	7/16 FLANGE NUT	4
3	357-59-00-000	BEARINGS & HOLDER KIT 2002	1
4	R09785	"DANGER ROTATING DRIVELINE" DECAL	1

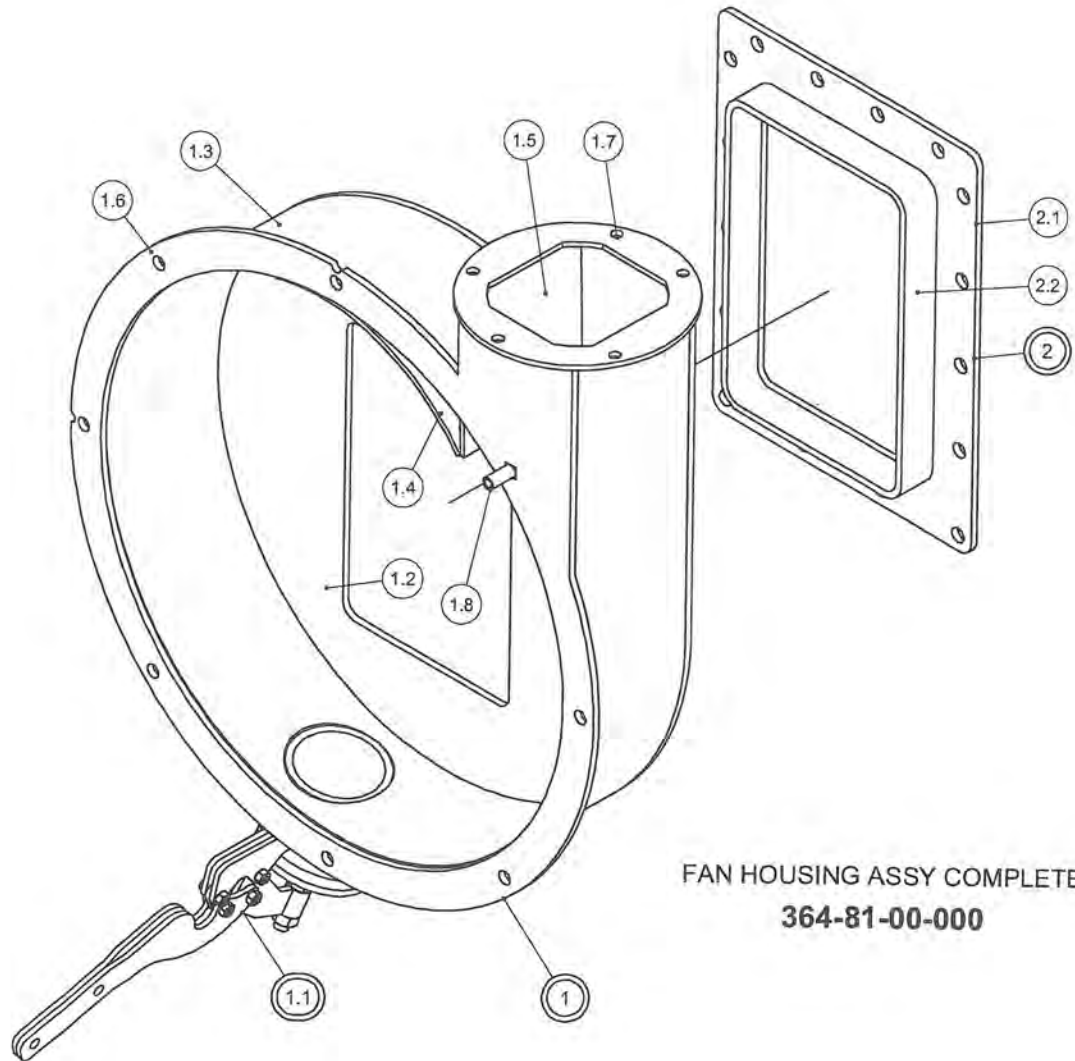
540 RPM T.M. FAN & COVER PLATE

540 RPM FAN & COVER PLATE 364-65-01-000



PARTS LIST			
ITEM	PART NUMBER	DESCRIPTION	QTY
1	364-72-00-000	540 RPM SHAFT & IMPELLER ASSY - CHT	1
1.1	364-72-00-226	FAN SHAFT	1
1.2	364-63-00-209	FAN BACK PLATE	1
1.3	R20238	HARDENED SEAL SLEEVE	1
1.4	364-63-00-208	CHT 540 RPM FAN BLADE	4
1.5	364-72-00-422	FAN BLADE GUSSET	4
1.6	364-72-00-227	AGITATOR BLADE	3
2	364-67-00-000	COVER PLATE ASSY	1
2.1	364-67-00-211	HOUSING COVER PLATE	1
2.2	R07774	7/16 x 1 1/4" GR 5 CARRIAGE BOLT	4
2.3	R07879	7/16 FLANGE NUT	4
3	357-59-00-000	BEARINGS & HOLDER KIT 2002	1
4	R09785	"DANGER ROTATING DRIVELINE" DECAL	1

FAN HOUSING ASSY



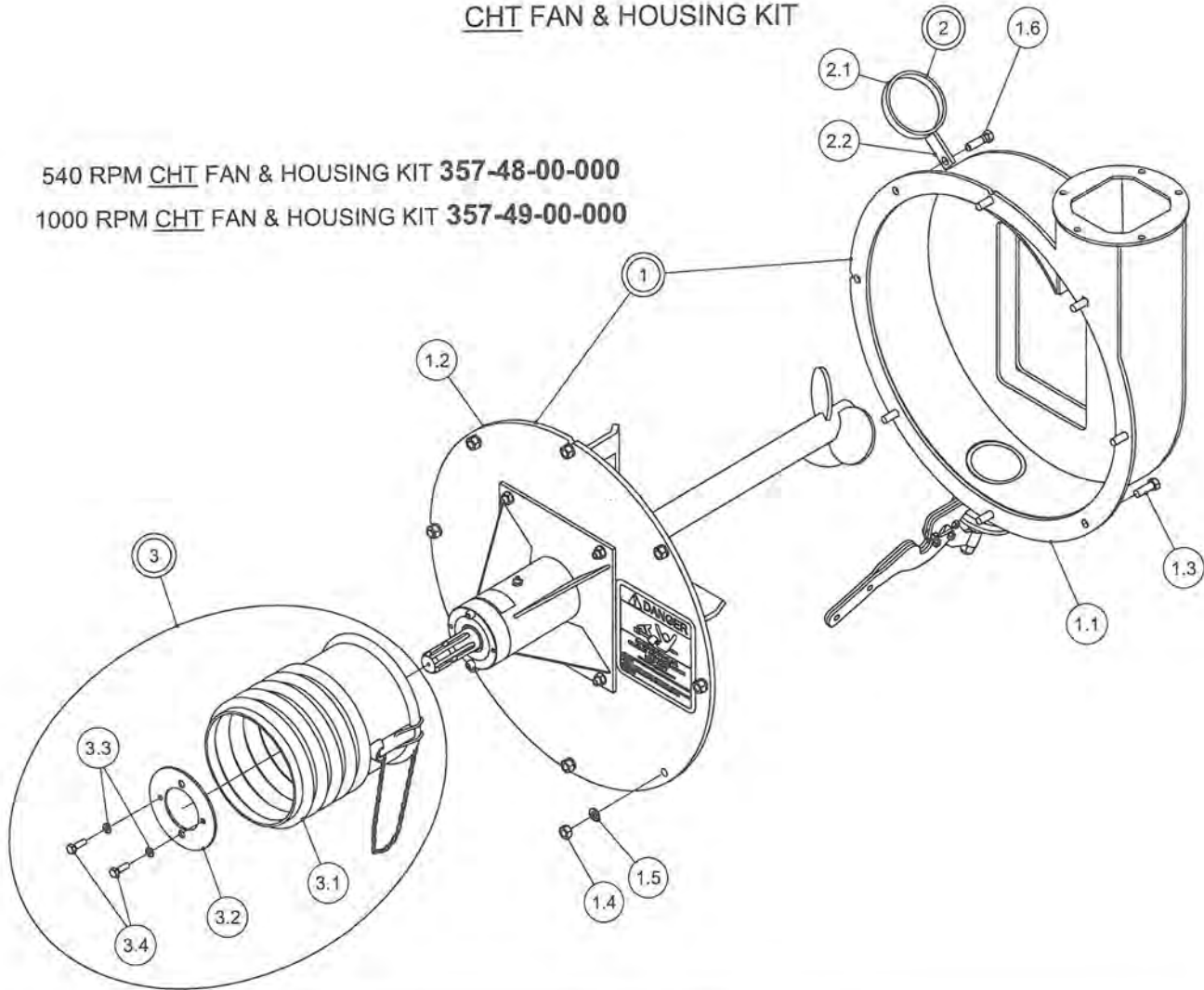
**FAN HOUSING ASSY COMPLETE
364-81-00-000**

PARTS LIST			
ITEM	PART NUMBER	DESCRIPTION	QTY
1	364-81-01-000	FAN HOUSING ASSY LESS FLANGE	1
1.1	364-62-00-000	DRAIN PLUG KIT	1
1.2	364-01-03-106	HOUSING BACK PLATE	1
1.3	364-01-03-018	HOUSING BAND	1
1.4	364-01-03-156	HOUSING BAND AID	1
1.5	364-01-03-081	FAN HOUSING VERTICAL PC	1
1.6	364-01-03-019	HOUSING FLANGE	1
1.7	364-01-03-376	DISCHARGE RING	1
1.8	R07774	7/16 x 1 1/4" GR 5 CARRIAGE BOLT	1
2	364-81-02-000	HOUSING INLET FLANGE ASSY	1
2.1	364-81-02-393	HOUSING FLANGE	1
2.2	364-81-02-424	INLET EXTENSION TUBE	1

CHT FAN & HOUSING KIT

540 RPM CHT FAN & HOUSING KIT **357-48-00-000**

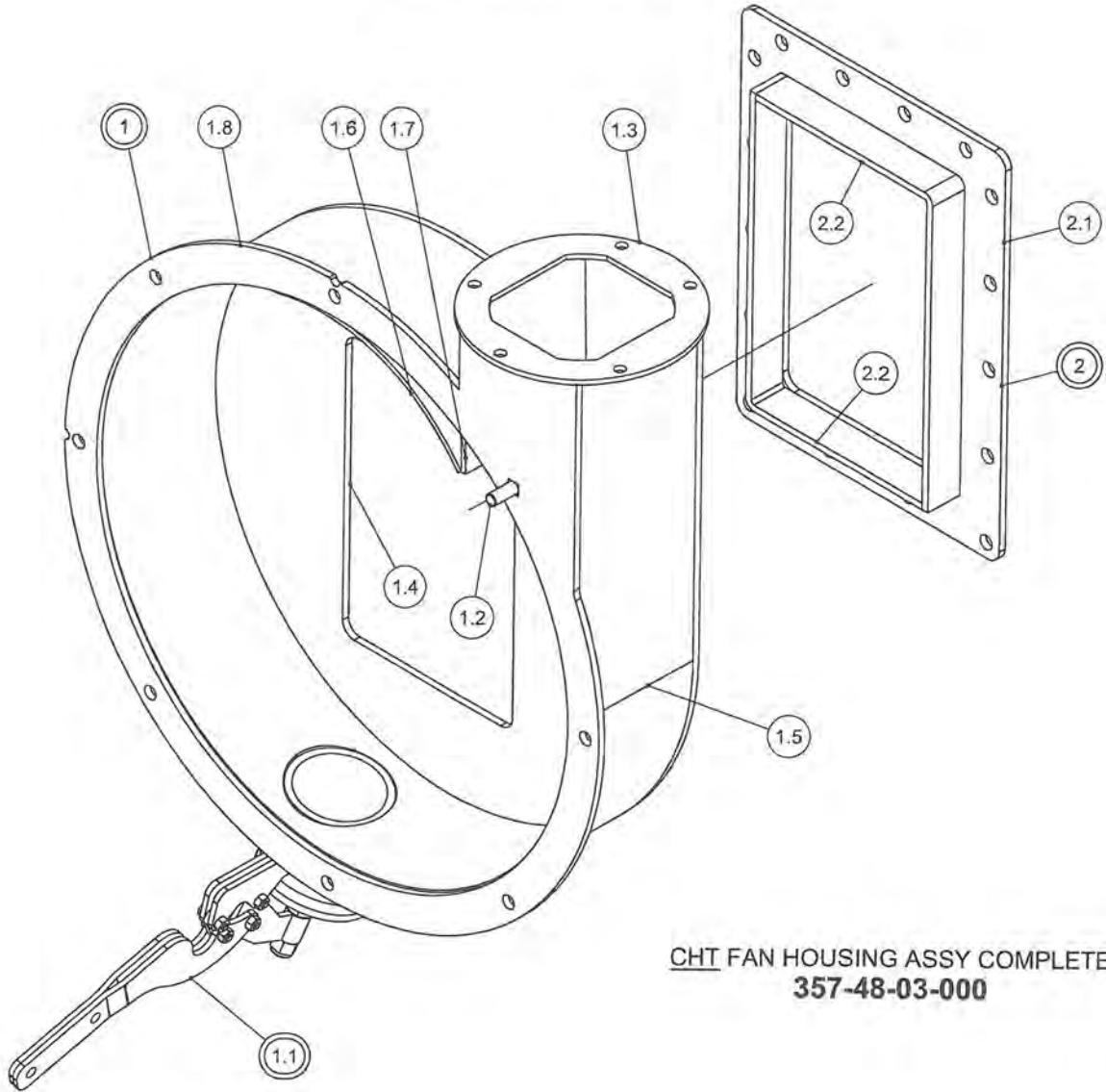
1000 RPM CHT FAN & HOUSING KIT **357-49-00-000**



PARTS LIST			
ITEM	PART NUMBER	DESCRIPTION	QTY
1	357-49-03-000	CHT 1000 RPM FAN & HOUSING KIT	OPT
1	357-48-06-000	CHT 540 FAN & HOUSING KIT	1
1.1	357-48-03-000	CHT FAN HOUSING ASSY COMPLETE	1
1.2	364-66-01-000	1000 RPM FAN & COVER PALTE	OPT
1.2	364-65-01-000	540 RPM FAN & COVER PLATE	1
1.3	R07671	7/16 x 1 1/4 HEX BOLT	6
1.4	R07784	7/16 HEX NUT	8
1.5	R07804	7/16 LOCK WASHER	8
1.6	R07629	7/16 x 1 1/2 HEX BOLT	1
2	364-41-00-000	PTO HOLDER ASSY	1
2.1	364-41-00-132	PTO HOLDER	1
2.2	364-41-00-133	PTO HOLDER BRACKET	1
3	364-69-00-000	PLASTIC PTO GUARD KIT	1
3.1	R22196	SHEILD CONE ASSY	1
3.2	364-00-00-448	GUARD SUPPORT	1
3.3	R07802	5/16 LOCK WASHER	2
3.4	R07611	5/16 x 1" HEX BOLT	2

OPT = OPTIONAL

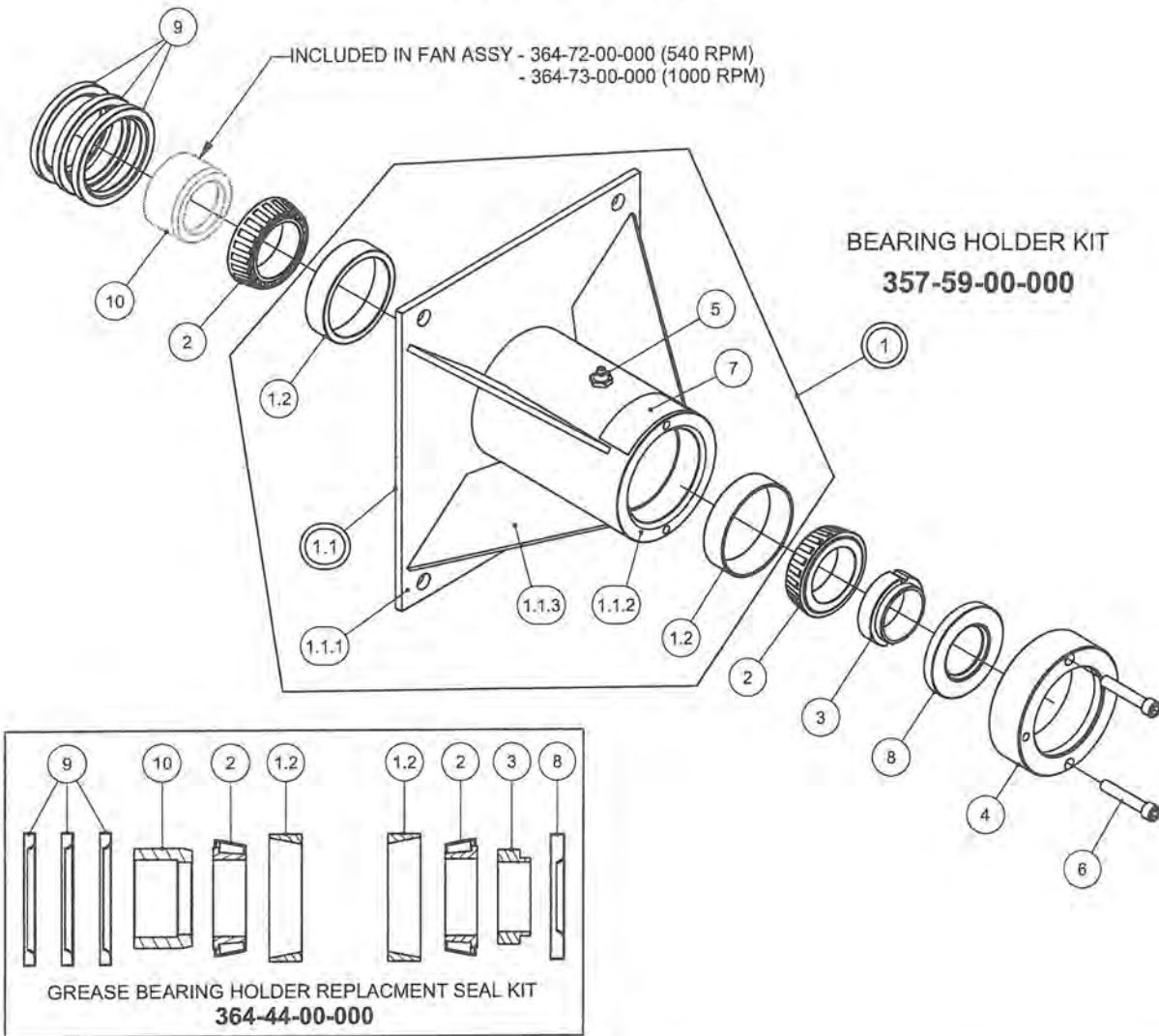
CHT FAN HOUSING ASSY



**CHT FAN HOUSING ASSY COMPLETE
357-48-03-000**

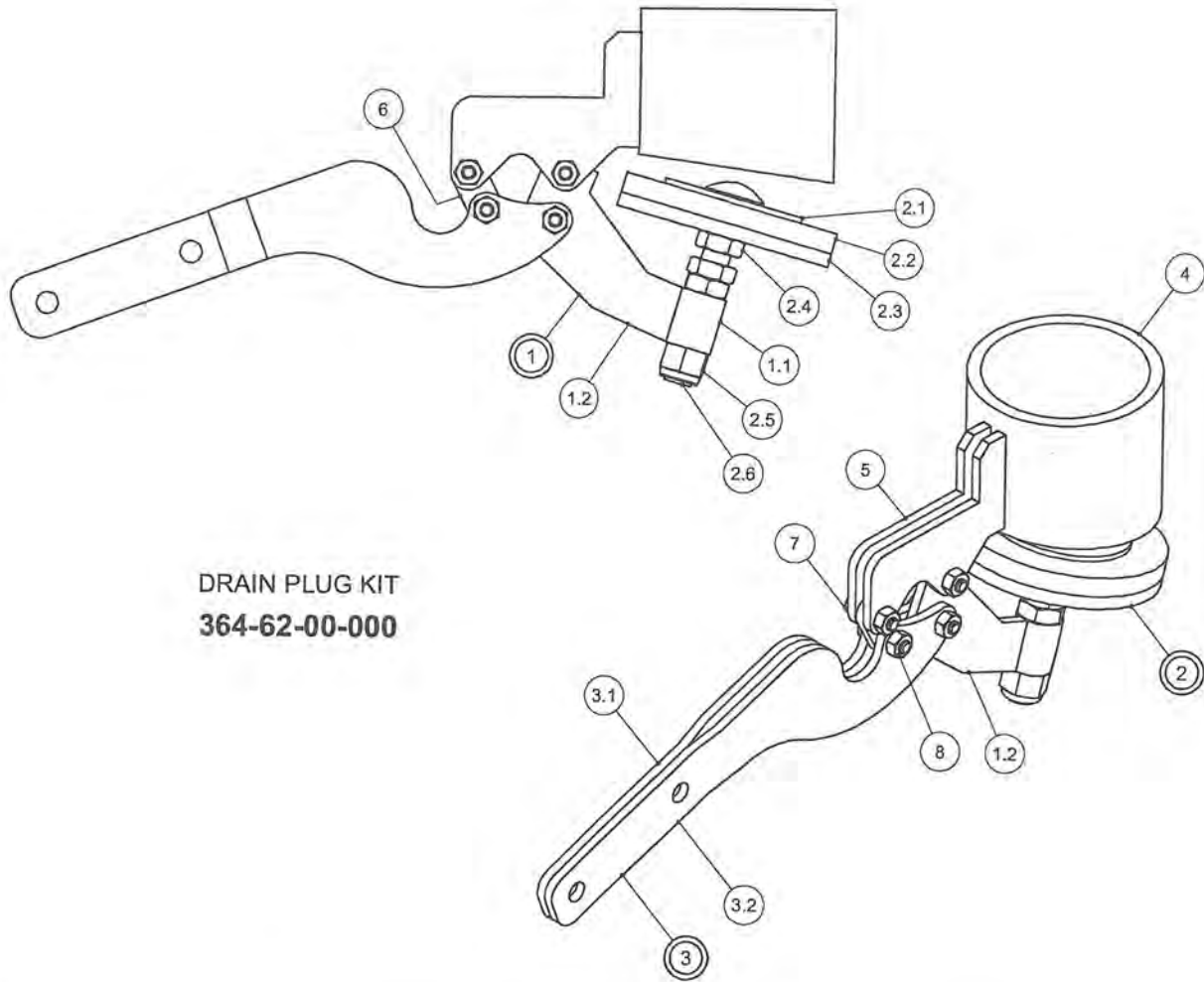
PARTS LIST			
ITEM	PART NUMBER	DESCRIPTION	QTY
1	357-48-01-000	CHT FAN HOUSING ASSY LESS FLANGE	1
1.1	364-62-00-000	DRAIN PLUG KIT	1
1.2	R07774	7/16 x 1 1/4 UNC CARRIAGE BOLT	1
1.3	364-01-03-376	DISCHARGE RING	1
1.4	357-48-01-228	CHT HOUSING BACK PLATE	1
1.5	357-48-01-232	CHT HOUSING BAND	1
1.6	357-48-01-231	CHT HOUSING BAND AID	1
1.7	357-48-01-230	CHT FAN HOUSING VERTICAL PC	1
1.8	357-48-01-229	CHT HOUSING FLANGE	1
2	357-48-02-000	CHT HOUSING INLET FLANGE ASSY	1
2.1	364-81-02-393	HOUSING FLANGE	1
2.2	357-48-02-233	CHT INLET EXTENSION	2

BEARING HOLDER KIT



PARTS LIST			
ITEM	PART NUMBER	DESCRIPTION	QTY
1	357-59-01-000	BEARING HOLDER w/ CUPS KIT	1
1.1	357-59-02-000	BEARING BOX ASSY	1
1.1.1	364-61-00-192	SEAL TUBE BACK PLATE	1
1.1.2	364-61-00-191	BEARING TUBE	1
1.1.3	357-59-02-289	BEARING BOX GUSSET	4
1.2	R20113	LM501310 OUTER CUP	2
2	R20115	LM501349 OUTER CONE	2
3	364-00-00-212	STAKE NUT	1
4	364-00-00-332	SEAL TUBE KIT	1
5	R08188	1/4" NPT STRAIGHT GREASE FITTING	1
6	R08175	5/16 - 18 UNC x 1 3/4" CAP SCREW	2
7	R09787	GREASE DECAL	1
8	R21196	SL LIP SEAL 152833TB 1.5"	1
9	R21197	2.25 x 3.005 x .25 SEAL	3
10	R20238	HARDENED SEAL SLEEVE (NOT INCLUDED IN BEARING HOLDER KIT)	1

DRAIN PLUG KIT



PARTS LIST			
ITEM	PART NUMBER	DESCRIPTION	QTY
1	364-62-01-000	DRAIN PLUG SLEEVE ASSY	1
1.1	364-62-01-201	SLEEVE	1
1.2	364-62-01-200	SLEEVE LINKAGE	1
2	364-62-05-000	DRAIN PLUG REPLACMENT KIT	1
2.1	364-62-04-370	PLUG WASHER	1
2.2	364-62-02-204	RUBBER PLUG	1
2.3	364-62-02-203	PLUG PLATE	1
2.4	R08046	1/2 - 13 JAM NUT	3
2.5	R08219	1/2 UNC NYLOCK NUT	1
2.6	R08316	1/2 x 3 1/2" FULL THREAD CAR BOLT	1
3	364-62-03-000	HANDLE ASSY	1
3.1	364-62-03-206	LH HANDLE	1
3.2	364-62-03-207	RH HANDLE	1
4	364-01-03-110	DRAIN PIPE	1
5	364-62-00-199	PLUG HOUSING BRKT	2
6	364-62-00-205	SHORT LINKAGE	1
7	R08176	1/4 x 7/8" HEX BOLT	4
8	R08048	1/4" 2 WAY LOCK NUT	4

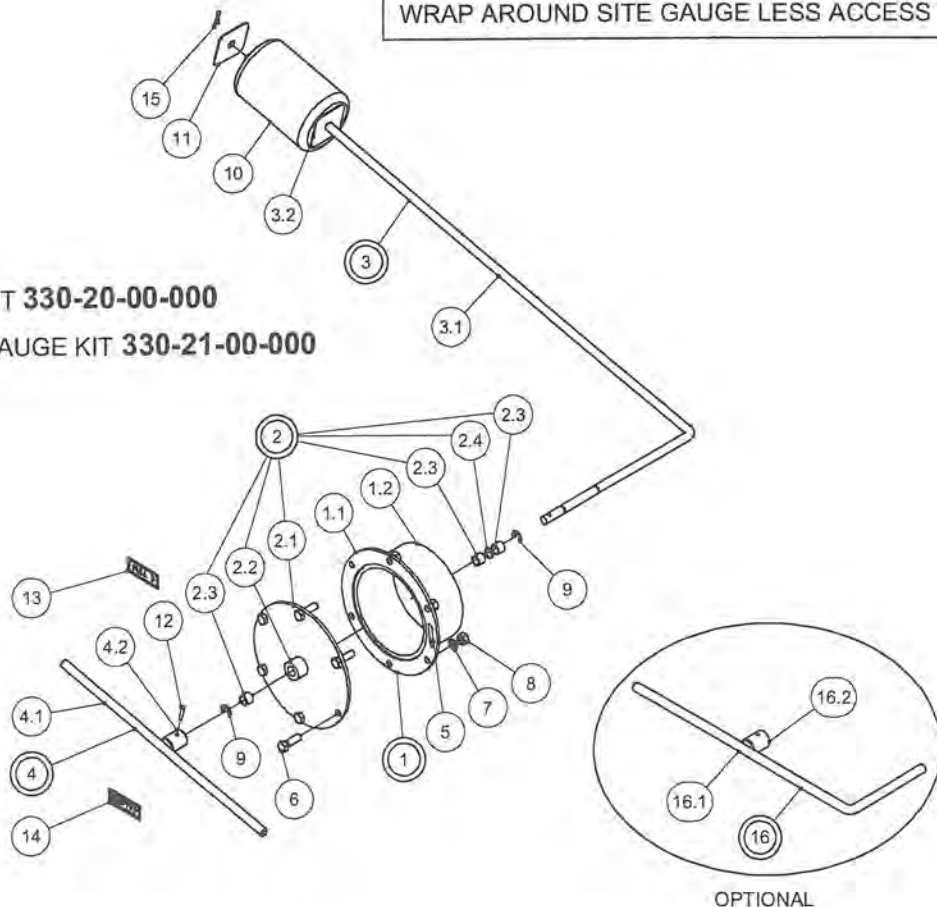
SIGHT GAUGE KIT

PARTS LIST				PARTS LIST			
ITEM	PART NUMBER	DESCRIPTION	QTY	ITEM	PART NUMBER	DESCRIPTION	QTY
1	330-20-03-000	ACCESS TUBE ASSY	1	5	R04100	SILICONE SEALANT	1
1.1	330-20-03-560	ACCESS TUBE FLANGE	1	6	R07675	3/8 x 1 1/4" HEX BOLT	6
1.2	330-20-03-556	ACCESS TUBE	1	7	R07803	3/8 LOCK WASHER	6
2	330-20-04-000	COVER PLATE ASSY	1	8	R07783	3/8 HEX NUT	6
2.1	330-20-00-557	COVER PLATE	1	9	R07974	EXTERNAL RETAINING RING	2
2.2	330-20-04-562	BUSHING HOLDER	1	10	R09524	FLOAT	1
2.3	R21173	1/2 x 5/8 x 1/2" BRONZE BUSHING	3	11	330-20-01-552	FLOAT STRAPS	1
2.4	R20865	O-RING #11-014	1	12	R08241	3/16 x 1 SS ROLL PIN	1
3	330-20-01-000	FLOAT ARM ASSY	1	13	R09529	"FULL" DECAL	1
3.1	330-20-01-551	FLOAT ARM	1	14	R09530	"EMPTY" DECAL	1
3.2	330-20-01-552	FLOAT STRAPS	1	15	R08021	1/8 x 1 S.S. COTTER PIN	1
4	330-20-02-000	INDICATOR ARM ASSY	1	16	330-21-01-000	WRAP AROUND SITE ARM ASSY	1
4.1	330-20-02-554	INDICATOR ARM	1	16.1	330-19-46-546	WRAP AROUND SITE ARM	1
4.2	330-20-02-553	INDICATOR ARM HUB	1	16.2	330-20-02-553	INDICATOR ARM HUB	1

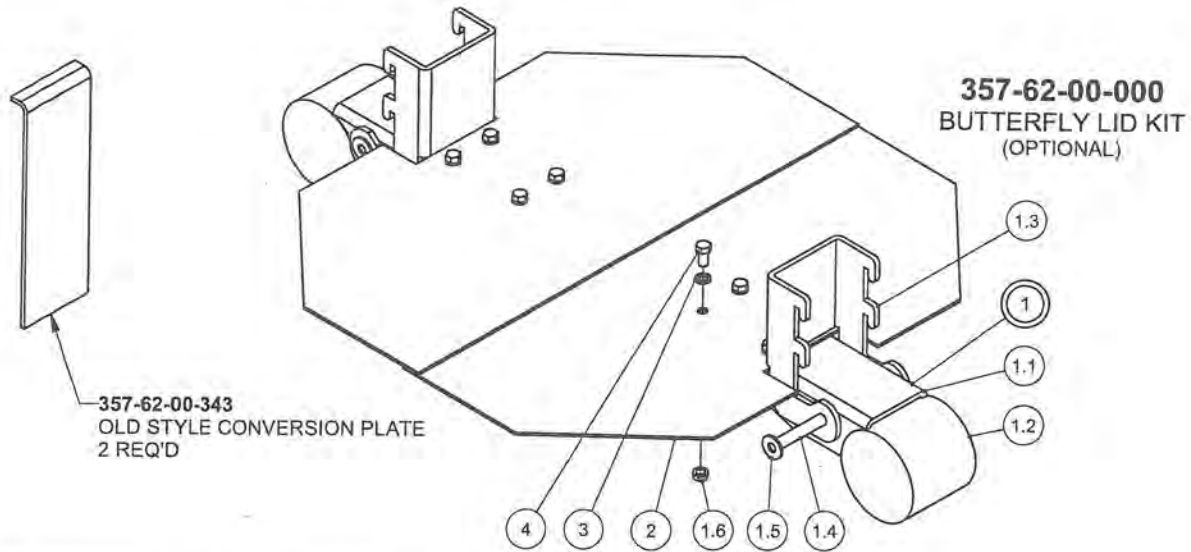
330-22-00-000
SITE GAUGE LESS ACCESS TUBE

330-23-00-000
WRAP AROUND SITE GAUGE LESS ACCESS TUBE

SIGHT GAUGE KIT **330-20-00-000**
WRAP AROUND SIGHT GAUGE KIT **330-21-00-000**

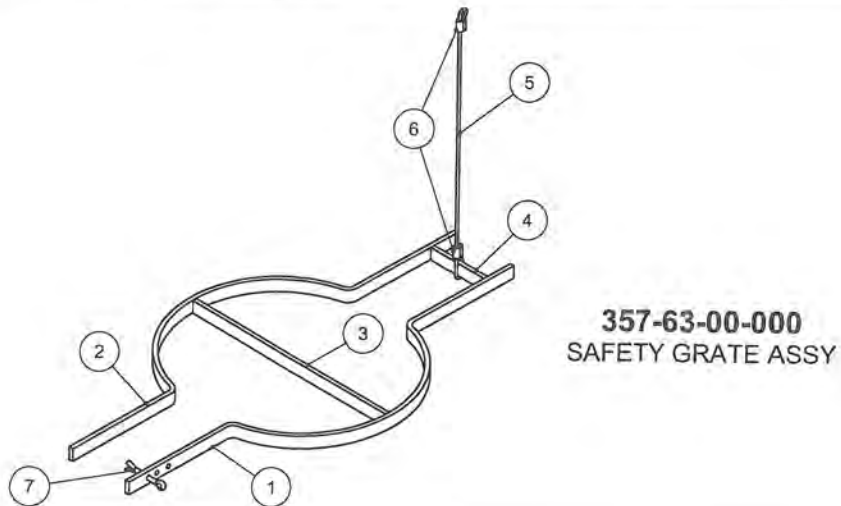


BUTTERFLY LID & SAFETY GRATE



NOTE: WITH INSTALLATION OF A BUTTERFLY LID, A SAFETY GRATE MUST BE USED TO LOCK LID IN PLACE

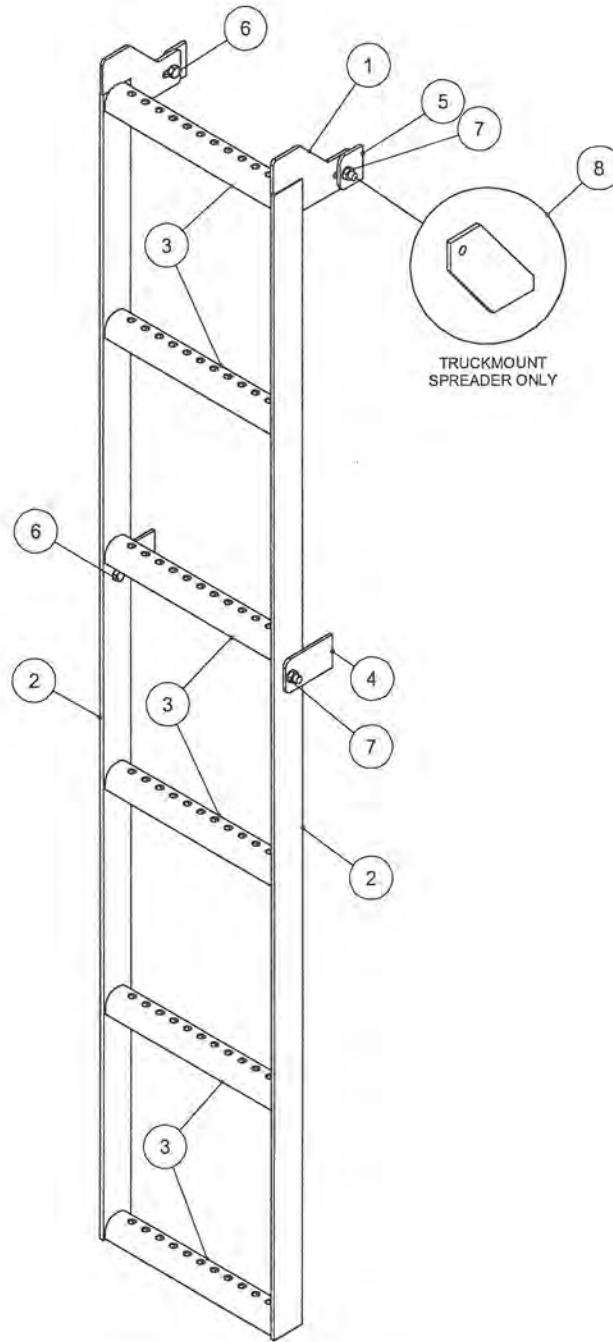
PARTS LIST				PARTS LIST			
ITEM	PART NUMBER	DESCRIPTION	QTY	ITEM	PART NUMBER	DESCRIPTION	QTY
1	357-62-01-000	BUTTERFLY HINGE KIT	2	1.5	R07824	7/16 FLAT WASHER	2
1.1	357-62-01-316	U - CHANNEL HINGE	1	1.6	R07794	3/8 FLANGE NUT	4
1.2	357-62-01-317	COUNTER WEIGHT	1	2	357-62-00-318	BUTTERFLY LID	2
1.3	357-62-01-319	DROP-IN HINGE	1	3	R08319	3/8 S.S. LOCK WASHER	8
1.4	357-62-01-315	HINGE PIN	1	4	R08317	3/8 x 3/4 S.S. HEX BOLT	8



PARTS LIST			
ITEM	PART NUMBER	DESCRIPTION	QTY
1	357-63-00-320	SAFETY BAR w/ HOLE	1
2	357-63-00-332	SAFETY BAR	1
3	357-63-00-321	CROSS SAFETY BAR	1
4	357-63-00-322	STOP BAR	1
5	357-63-00-331	SAFETY CABLE	1
6	R08068	1/8" ALUMINUM CRIMP SLEEVES	2
7	R08016	1/4 x 2 COTTER PIN	1

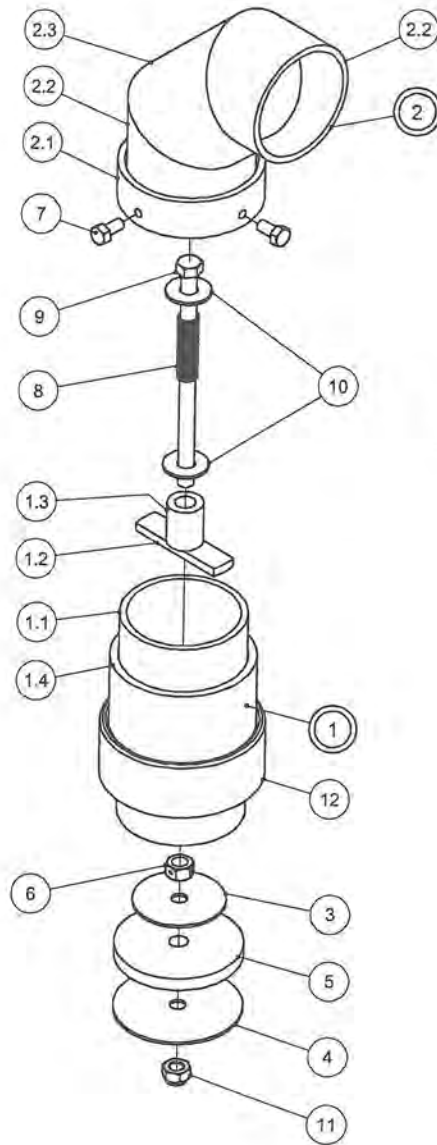
LADDER KIT

LADDER KIT
364-95-00-000



PARTS LIST			
ITEM	PART NUMBER	DESCRIPTION	QTY
1	364-95-00-326	LADDER LUG	2
2	364-95-00-325	LADDER SIDE PC	2
3	364-95-00-324	LADDER RUNG	6
4	364-00-00-414	TANK LUG	2
5	364-95-00-327	UPPER TANK LUG	2
6	R07619	3/8 x 1 HEX BOLT	4
7	R07794	3/8 FLANGE NUT	4
8	384-00-00-216	LADDER BRKT	1

TANK VENT KIT



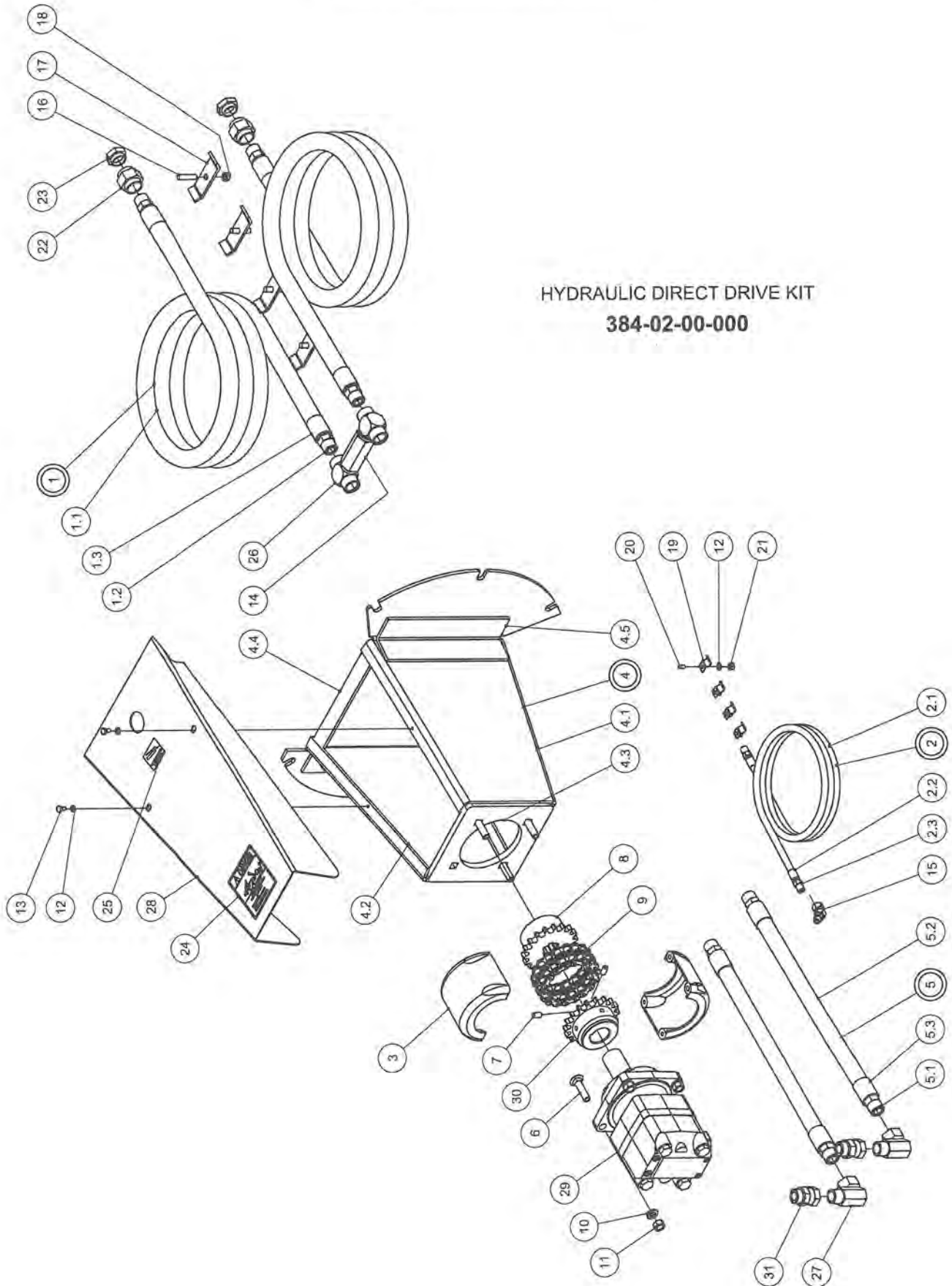
TANK VENT KIT
357-51-00-000
(OPTIONAL)

PARTS LIST				PARTS LIST			
ITEM	PART NUMBER	DESCRIPTION	QTY	ITEM	PART NUMBER	DESCRIPTION	QTY
1	357-51-01-000	VENT TUBE ASSY	1	4	357-51-00-258	LOWER STAINLESS STEEL WASHER	1
1.1	357-51-01-246	VENT TUBE	1	5	357-51-00-334	RUBBER PLUG	1
1.2	357-51-01-247	VENT STRAP	1	6	R07891	7/16 2-WAY LOCK NUT	1
1.3	357-51-01-248	INNER SLIDE TUBE	1	7	R07690	5/16 x 5/8 HEX BOLT	2
1.4	357-51-01-335	OUTER NIPPLE	1	8	357-51-00-249	SPRING	1
2	357-51-02-000	CAP ASSY	1	9	R07689	7/16 x 7 HEX BOLT	1
2.1	357-51-02-251	SLEEVE	1	10	R07833	7/16" SAE FLAT WASHER	2
2.2	357-51-02-252	ELBOW SECTION	2	11	R08178	7/16 NYLOCK HEX NUT	1
2.3	357-51-02-253	ELBOW MIDDLE SECTION	1	12	R02969	3 1/2" HALF COUPLER	1
3	357-51-00-250	STAINLESS STEEL WASHER	1				

SLIDE LID KIT CON'T

PARTS LIST			
ITEM	PART NUMBER	DESCRIPTION	QTY
1	357-45-01-000	MANHOLE ASSY	1
1.1	357-45-01-204	FRONT LOWER PANEL	1
1.2	357-45-01-205	FRONT UPPER PANEL	1
1.3	357-45-01-202	SIDES	2
1.4	357-45-01-203	REAR PANEL	1
1.5	357-45-01-257	SIDE LOWER GUIDE BARS	2
1.6	357-45-01-206	SIDE UPPER GUIDE BARS	2
1.7	357-45-01-207	REAR GUIDE BAR	2
2	357-45-02-000	RH SLIDE RAIL ASSY	1
2.1	357-45-02-209	SLIDE RAIL	1
2.2	357-45-02-210	SLIDE RAIL LEG	1
2.3	357-45-01-208	LOWER GUIDE	2
(3)	357-45-05-000	LID ASSY - AIR	*
3	357-45-03-000	LID ASSY - HYDRAULIC	1
3.1	357-45-03-213	SLIDE LID	1
3.2	357-45-03-214	SLIDE LID LUG	1
(3.2)	357-45-05-242	SLIDE LID LUG - AIR	*
4	357-45-04-000	LH SLIDE RAIL ASSY	1
4.1	357-45-02-209	SLIDE RAIL	1
4.2	357-45-02-210	SLIDE RAIL LEG	1
4.3	357-45-01-208	LOWER GUIDE	2
5	R22162	2 x 24 HYDRAULIC CYLINDER	1
(5)		AIR CYLINDER	*
(6)	357-45-06-000	TANK LUG ASSY FOR AIR CYLINDER	*
6	357-45-07-000	TANK LUG ASSY FOR HYD CYLINDER	1
6.1	368-54-02-425	CYLINDER BRKT BASE PLATE	1
6.2	357-45-07-254	TANK LUG FOR HYD CYLINDER	1
(6.2)	357-45-06-243	TANK LUG FOR AIR CYLINDER	*
7	357-45-09-000	SAFETY GRATE ASSY	1
7.1	357-45-08-000	SAFETY BAR ASSY	1
7.1.1	357-45-08-274	SAFETY BAR	1
7.1.2	R08320	1/2 S.S. FLAT WASHER	1
7.2	357-45-08-274	SAFETY BAR	2
7.3	357-45-09-314	SAFETY RING	1
8	357-45-00-211	STRAP	1
9	357-45-00-212	RUBBER	1
10	R07611	5/16 x 1" HEX BOLT	5
11	R07782	5/16 HEX NUT	5
12	R07802	5/16 LOCK WASHER	5
13	R08207	5/32 x 1 1/2 S.S. COTTER PIN	3

HYDRAULIC DIRECT DRIVE KIT



HYDRAULIC DIRECT DRIVE KIT
384-02-00-000

HYDRAULIC DIRECT DRIVE KIT CON'T

PARTS LIST			
ITEM	PART NUMBER	DESCRIPTION	QTY
1	384-02-06-000	HYDRAULIC HOSE ASSY 3/4"	2
1.1	384-02-06-196	3/4" HYDRAULIC HOSE	1
1.2	R21241	3/4" MALE SOLID STEM	2
1.3	R20824	3/4" FERRULE	2
2	384-02-07-000	HYDRAULIC HOSE ASSY - CASE DRAIN	1
2.1	384-02-04-197	HYDRAULIC HOSE - CASE DRAIN	1
2.2	R21231	STEEL FERRULE - 1/4"	2
2.3	R20802	1/4 - 18 NPT SOLID MALE STEM	2
3	R20617	60 - 18 COUPLING COVER	1
4	384-18-01-000	DIRECT HYD DRIVE MOUNT PLATE ASSY	1
4.1	384-18-01-273	LH EXTENSION PLATE	1
4.2	384-18-01-274	RH LONG EXTENSION PLATE	1
4.3	384-11-01-231	MOTOR MOUNT PLATE-6000 SERIES	1
4.4	384-02-01-012	REINFORCING STRAP	2
4.5	384-18-01-275	REINFORCING ANGLE	2
5	351-03-00-000	3/4" HYDRAULIC HOSE ASSY	2
5.1	R21241	3/4" MALE SOLID STEM	2
5.2	351-03-00-004	3/4" HYDRAULIC HOSE	1
5.3	R20824	3/4" FERRULE	2
6	R07744	1/2" x 2 CARRIAGE BOLT	4
7	R07911	3/8 x 3/4" SET SCREW	2
8	384-02-00-072	SPROCKET FOR 6 TOOTH SPLINE	1
9	R20883	60-18 COUPLING CHAIN	1
10	R07805	1/2 LOCK WASHER	4
11	R07785	1/2 HEX NUT	4
12	R07801	1/4 LOCK WASHER	6
13	R07698	1/4 x 1/2 HEX BOLT	2
14	R21202	3/4" NPT IN-LINE CHECK VALVE	1
15	R21308	45 DEG x 7/16 SAE x 1/4 NPT ADAPTOR	1
16	R08302	3/8-16 UNC x 1 5/8" WELD STUD	4
17	351-00-00-009	HYD. HOSE FASTENER	4
18	R07794	3/8 FLANGE NUT	4
19	R21104	HYD. HOSE CLIPS	4
20	R08301	1/4 x 20 UNC x 1/2" WELD STUD	4
21	R07781	1/4 HEX NUT	4
22	R21401	3/4 HEX COUPLING 24SJ-12	2
23	R21406	3/4 NPT PLASTIC PLUG	2
24	R21521	"ROTATING DRIVE LINE" DECAL	1
25	R09787	GREASE SYMBOL DECAL	1
26	R21393	3/4" HYDRAULIC TEE	2
27	R21332	3/4M x 3/4F NPT 90 SWIVEL ADAPTOR	2
28	384-18-00-276	GUARD	1
29	R22546	M+S HYD MOTOR - MLHT 160	1
30	384-00-00-277	60B - 18 SPR.-1 1/2" STR SHAFT	1
31	R21280	1 1/16" SAE M X 3/4" NPT ADAPTOR	2

HUSKY FARM EQUIPMENT LIMITED

ALMA, ON

N0B 1A0

PHONE: (519) 846-5329

FAX: (519) 846-9378

FIVE YEAR AXLE WARRANTY

Husky Farm Equipment Limited will guarantee for five (5) years from date of invoice, all Manure Spreader undercarriages and axle assemblies, if used on a farm for farm purposes.

Husky will replace free of charge:

1. Any part of the axle which should break or collapse through normal use.
2. Any spindles or hubs which should break through normal use.
3. Any wheel and rim assemblies which should fail through normal use.

Exempt from extended warranty are:

1. Any part of the axle which should break or collapse through overload. Overload includes: Any attachments (ie. injectors) and any product being transported in Spreader weighing more than 10 lb/gallon. (ie. manure mixed with sand).
2. Bearings and tires which are covered under normal warranty and do require maintenance to avoid failure.
3. Wheel or rim damage resulting from owner failing to keep wheel bolts tight.
4. Spindles damaged through bearing failure.
5. Any axle that is custom built.
6. Any axle used in commercial custom hauling applications.

To qualify for extended warranty, damaged parts must be returned to Husky Farm Equipment Limited, prepaid shipping, along with serial number and copy of the original invoice.

All parts supplied by Husky on warranty, will be shipped freight collect. Extended warranty covers damaged parts only and does not cause liability on Husky for any damage resulting from such failure.

TEN YEAR WARRANTY AGAINST RUSTOUT

Husky Farm Equipment provides a ten (10) year warranty from date of invoice, against premature perforation (rust out) of any liquid manure spreader manufactured. Providing the manure spreader is used for manure or sludge and not for chemical products.

Extended warranty is pro rated and will be paid only through the crediting off of the then current list price of a replacement manure spreader of the portion of warranty not used up in time.

Warranty will be effective toward replacing spreader only and no cash payment will be made. It will be understood that the original equipment to be replaced will then become property of Husky Farm Equipment Limited.

This extended warranty will be effective through Husky Farm Equipment factory or factory outlet only. A copy of the original invoice is to be supplied along with the serial number. This warranty will not be effective for commercial custom haulers or to owners other than the original.

Transportation to and from the factory is to be paid for by the owner of the equipment and not by Husky Farm Equipment Limited.

HUSKY FARM EQUIPMENT LIMITED

7440 Wellington Rd. 17, R. R. # 2,
ALMA, ONTARIO N0B 1A0
CANADA

Phone (519) 846-5329 or 800-349-1122

Fax (519) 846-9378

Saturday, November 18, 2006

M + S HYDRAULIC MOTOR MODEL MLHS4 160 C4C 20 GPM CONTINUOUS

USED ON HUSKY MODEL " E " TRUCK MOUNTED MANURE SPREADERS

HUSKY PART NUMBER ON MOTOR R21422

SPECIFICATION SHEET

Displacement: 9.74 cubic inches per rev.
Max. Speed 470 rpm continuous, 560 rpm intermittent
Max. Torque 4080 in. lbs. cont., 4560 in. lbs. Int.
Max. Output H.P. 26.2 cont., 32.2 int.
Max. Pressure Drop 2975 cont., 3270 int.
** Max. Oil Flow 20 gpm cont., 24 gpm.int.
** Max Inlet Pressure 3270 psi cont., 3625 psi int.
Max. Pressure in return line with case drain installed 2030 psi
Min. Starting Torque 3265 inch lbs.
Ports: 7/8-14 SAE , case drain 7/16-20 SAE
Mounting: 4-bolt flange, shaft dia. 1 .250" w/ keyway
Weight of hydraulic motor 23.60 lbs.

Intermittent Operation - permissible values may occur for max. 10% of every minute.

Recommended Filtration 25 micron or better

Max. System Operating Temperature 82 deg. C. [180 deg. F.]

IMPORTANT NOTE: To provide optimum motor life run in motor at low to moderate load and speed for 10-15 minutes.

HUSKY FARM EQUIPMENT LIMITED

R.R# 2 Alma, Ontario, Canada N0B 1A0

Phone: (519) 846-5329 or 800-349-1122 Fax : (519) 846-9378

M + S HYDRAULIC MOTOR MODEL MLHT 160 C4A 26.5 GPM CONTINUOUS

HEAVY DUTY ON HUSKY MODEL "E" TRUCK MOUNTS & MANURE SPREADERS

HUSKY PART NUMBER ON MOTOR R22546

SPECIFICATION SHEET

Displacement: 9.83 cubic inches per rev.
Max. Speed 622 rpm continuous, 775 rpm intermittent
Max. Torque 4160 in. lbs. cont., 4960 in. lbs. Int.
Max. Output H.P. 36 cont., 43 int.
Max. Pressure Drop 2900 cont., 3450 int.
** Max. Oil Flow 26.5 gpm cont., 33 gpm.int.
** Max Inlet Pressure 3050 psi cont., 3600 psi int.
Max. Pressure in return line with case drain installed 2030 psi (Note: can drain up to 4L (1 US Quart) per minute).
Min. Starting Torque 3010 inch lbs.
Ports: 1 1/16"-12 SAE
Mounting: 4-bolt C flange, shaft dia. 1 .50" w/ keyway
Weight of hydraulic motor 44.1 lbs.

Intermittent Operation - permissible values may occur for max. 10% of every minute.

Recommended Filtration 25 micron or better

Max. System Operating Temperature 82 deg. C. [180 deg. F.]

IMPORTANT NOTE: To provide optimum motor life run in motor at low to moderate load and speed for 10-15 minutes.