

Office Copy

Date Purchased \_\_\_\_\_ Machine Serial No. \_\_\_\_\_

06/22/2006

Size of Spreader \_\_\_\_\_ Options \_\_\_\_\_

Jan 12/07  
Jan 29/07  
May 31/07

The key number system in this parts book is arranged as follows:

- ⊙ - Key numbers with two circles denotes main assemblies.
- - Key numbers with one circle are individual parts

Please order parts by number



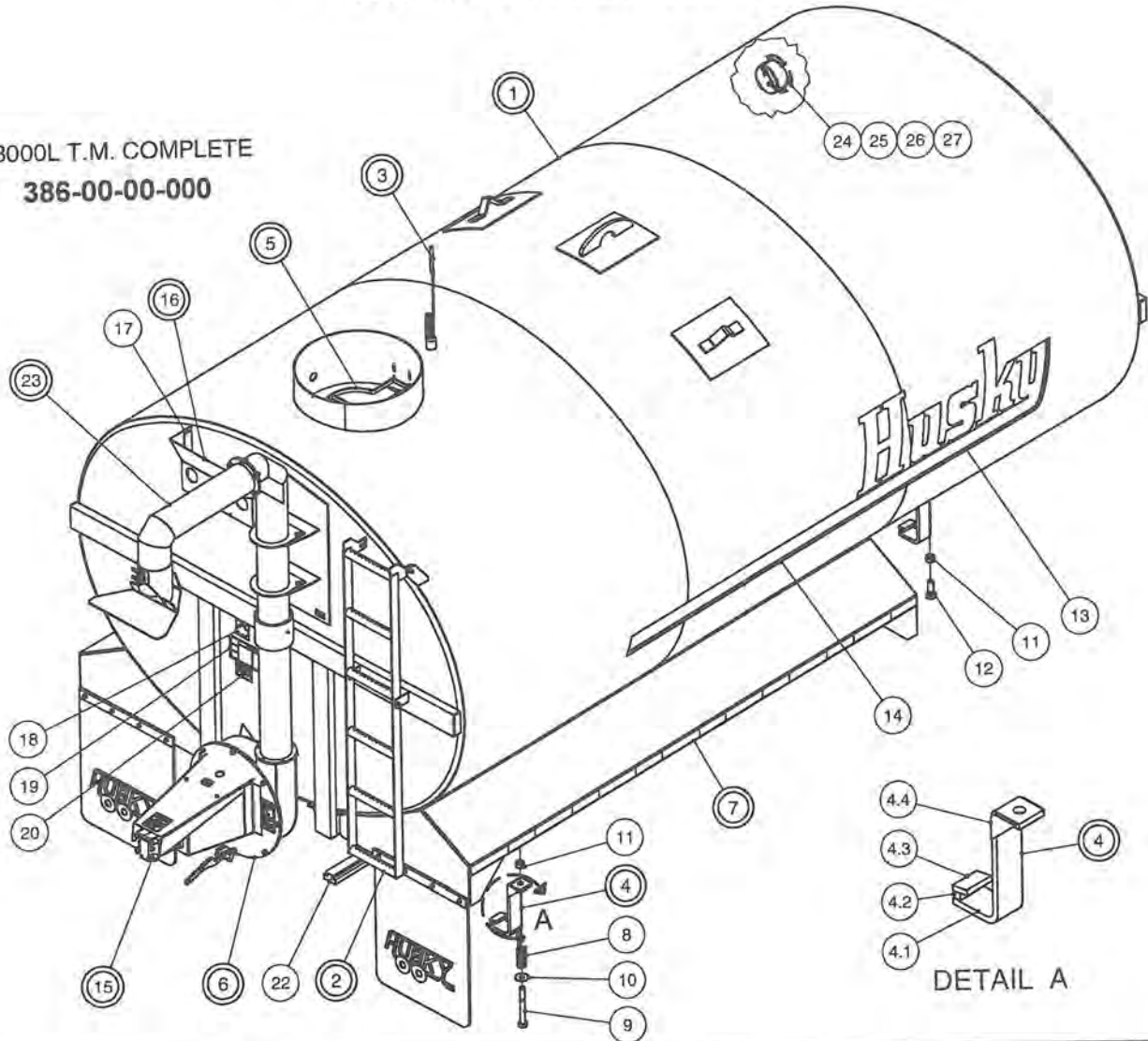
18000L ELITE TRUCKMOUNT TANK • 386-00-00-000

OPERATING INSTRUCTIONS:

1. Do not operate machine until you fully understand the safe operating practices.
2. Wash tank each time spreader is used. This will increase the life of the tank by many years.
3. Make sure all moving parts are shielded to prevent coming in contact with clothing.
4. After using spreader in freezing conditions make sure impeller housing is drained.
5. Much of the fertilizer value of manure is lost when exposed to air. Getting the manure covered quickly is a very important part of spreading manure.
6. EXTREME DANGER – Never enter a dirty manure spreader or storage tank – one breath of hydrogen sulphide gas is enough to kill. Have a ladder in your pit, so that if by accident you should fall in, you can get out.

# 18000L TRUCK MOUNT COMPLETE

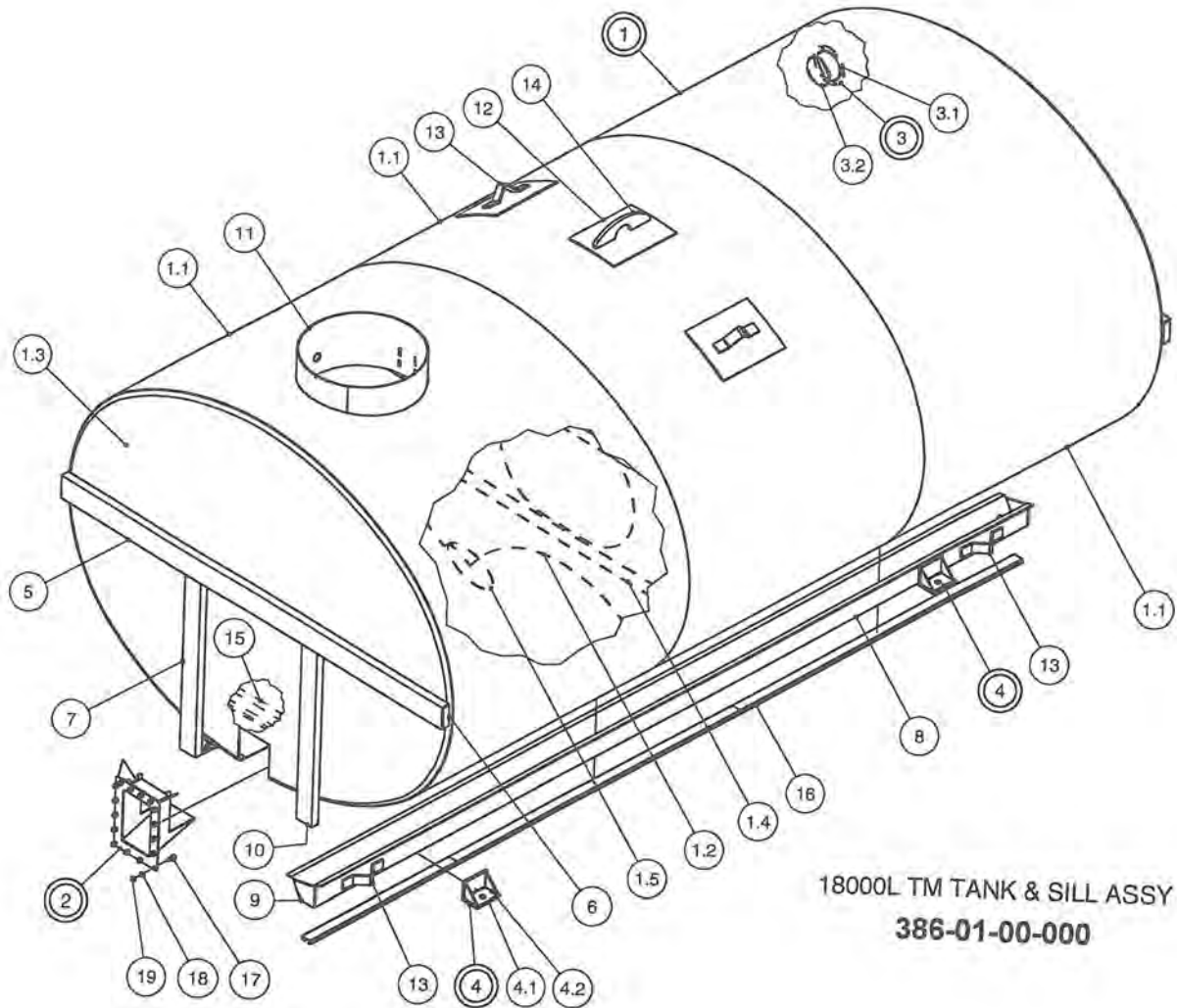
18000L T.M. COMPLETE  
386-00-00-000



PARTS LIST				PARTS LIST			
ITEM	PART NUMBER	DESCRIPTION	QTY	ITEM	PART NUMBER	DESCRIPTION	QTY
1	386-01-00-000	18000L TANK, SILL, & FUNNEL ASSY	1	14	R09511	ACCENT STRIP	2
2	364-95-00-000	LADDER ASSY	1	15	384-02-00-000	HYDRAULIC DRIVE KIT (Optional)	1
3	340-62-00-000	INDICATOR KIT	1	16	372-16-00-000	CLEARANCE LIGHT BOX ASSY	1
4	316-24-00-000	HOLD DOWN ASSY	4	17	372-00-00-046	STICKER PLATE BRKT	2
4.1	316-24-00-044	BRKT MAIN PC	1	18	R09509	"MADE IN CANADA" DECAL - LARGE	1
4.2	316-24-00-045	SPACER BAR	1	19	R10334	TOXIC GAS PICTORAL DECAL	1
4.3	316-24-00-046	HOLD DOWN RETURN	1	20	R09512	CAPACITY DECAL	1
4.4	316-24-00-047	GUSSET	2	21	R09502	"HUSKY" DECAL	1
5	357-63-00-000	SAFETY BAR ASSY	1	22	R10483	RUBBER T-STRIP	4
6	364-23-01-000	540 FAN & HOUSING KIT	1	23	386-15-00-000	6" REAR DISCHARGE KIT	1
7	386-02-00-000	TAPER FENDER KIT (Optional)	1	24	330-00-00-559	ACCESS TUBE COVER PLATE	1
8	R08034	HP 88 1 x 4 SPRING	2	25	R07619	3/8 x 1 UNC HEX BOLT	6
9	R07669	1 x 8" HEX BOLT	2	26	R07803	3/8" LOCK WASHER	6
10	R07828	1" FLAT WASHER	2	27	R07783	3/8-16 UNC HEX NUT	6
11	R08246	1" - 8 UNC NYLOCK HEX NUT	4	28	R09071	SERIAL NUMBER PLATE	1
12	R07663	1 x 3" HEX BOLT	2	29	R08152	6 x 1/4 PAN HD SOCKET SCREW	2
13	R09510	"HUSKY" DECAL	2				

NOT SHOWN IN DWG - LOCATED AT FRONT LH SIDE OF SILL

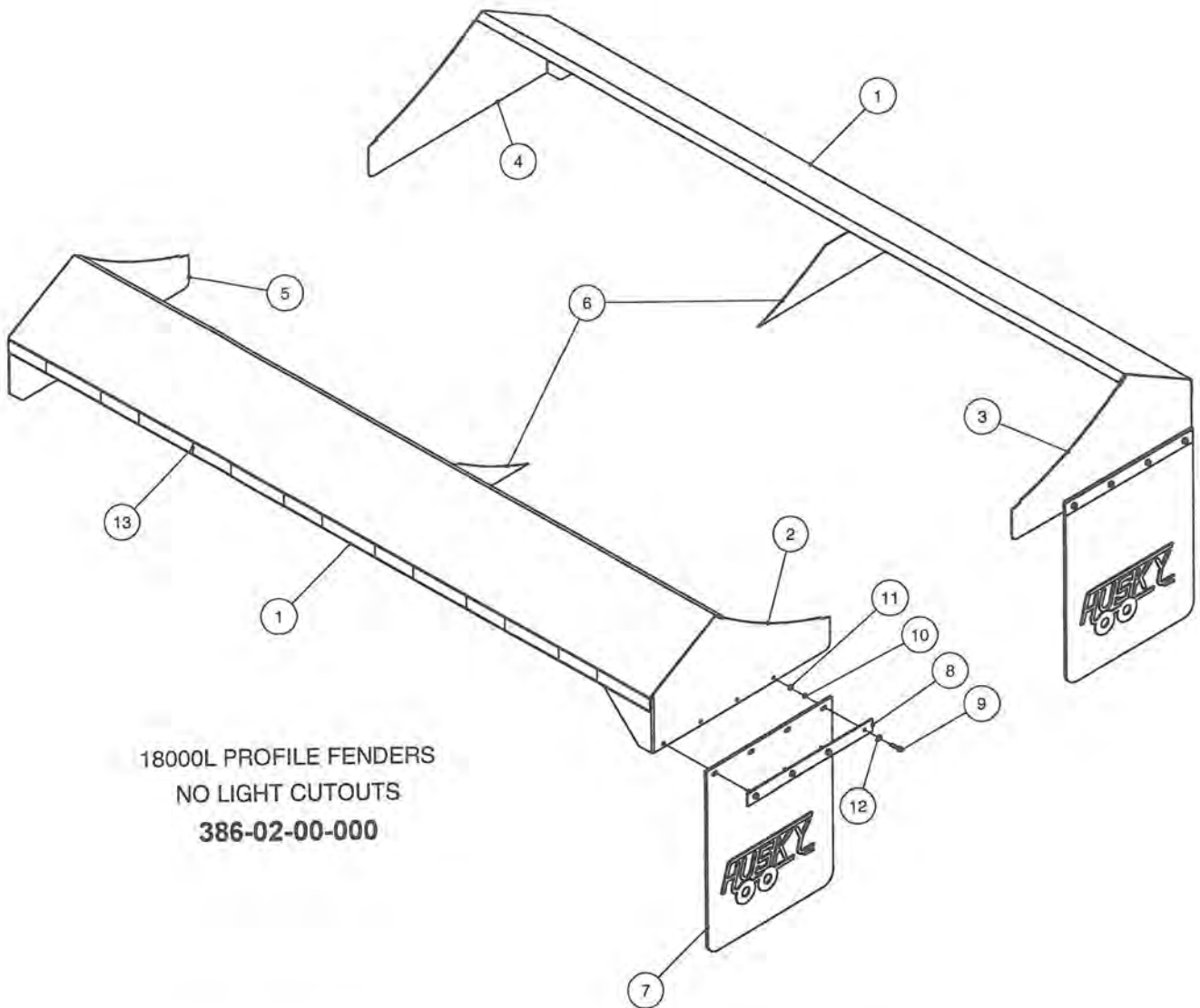
# 18000L TM TANK ASSY



18000L TM TANK & SILL ASSY  
386-01-00-000

PARTS LIST				PARTS LIST			
ITEM	PART NUMBER	DESCRIPTION	QTY	ITEM	PART NUMBER	DESCRIPTION	QTY
1	340-01-01-000	18000 L TANK ASSY	1	7	386-01-00-001	VERTICAL REINFORCING CHANNEL	4
1.1	340-01-01-301	TANK SHELL	3	8	340-00-00-515	18000 L TM SILL	2
1.2	340-01-01-302	FLANGED TANK BAFFLE	2	9	340-00-00-516	SILL CAP	4
1.3	340-01-01-300	FLANGED TANK END	2	10	330-66-00-258	STIFFENER END CAP	4
1.4	340-01-01-557	BAFFLE REINFORCING BAR	4	11	364-02-00-006	24" MANHOLE	1
1.5	340-01-01-559	OVAL REINFORCING PLATE	4	12	340-01-00-546	LIFT HOOK REINFORCING PLATE	3
2	364-82-00-000	FLANGED TANK OUTLET	1	13	300-01-00-012	TANK LIFT HOOK	6
3	330-20-03-000	ACCESS TUBE ASSY	1	14	340-01-00-555	CENTER LIFT HOOK	1
3.1	330-20-03-560	ACCESS TUBE FLANGE	1	15	384-01-00-246	INSIDE CROSS SUPPORT CHANNEL	1
3.2	330-20-03-556	ACCESS TUBE	1	16	R10482	RUBBER MOUNTING SILL CHANNEL	6
4	316-22-00-000	HOLD DOWN BRKT ASSY	4	17	R07664	1/2 x 1 1/4" HEX BOLT	16
4.1	316-22-00-012	HOLD DOWN ANGLE BRKTS	1	18	R07805	1/2 LOCK WASHER	16
4.2	316-22-00-035	HOLD DOWN ANGLE GUSSET	2	19	R07785	1/2 HEX NUT	16
5	340-01-06-312	TANK END STIFFENER	2	20	340-01-00-498	SERIAL NO. BACK PLATE	1
6	340-01-06-464	TANK STIFFENER CAP	4	NOT SHOWN IN DWG - LOCATED AT FRONT LH SIDE OF SILL			

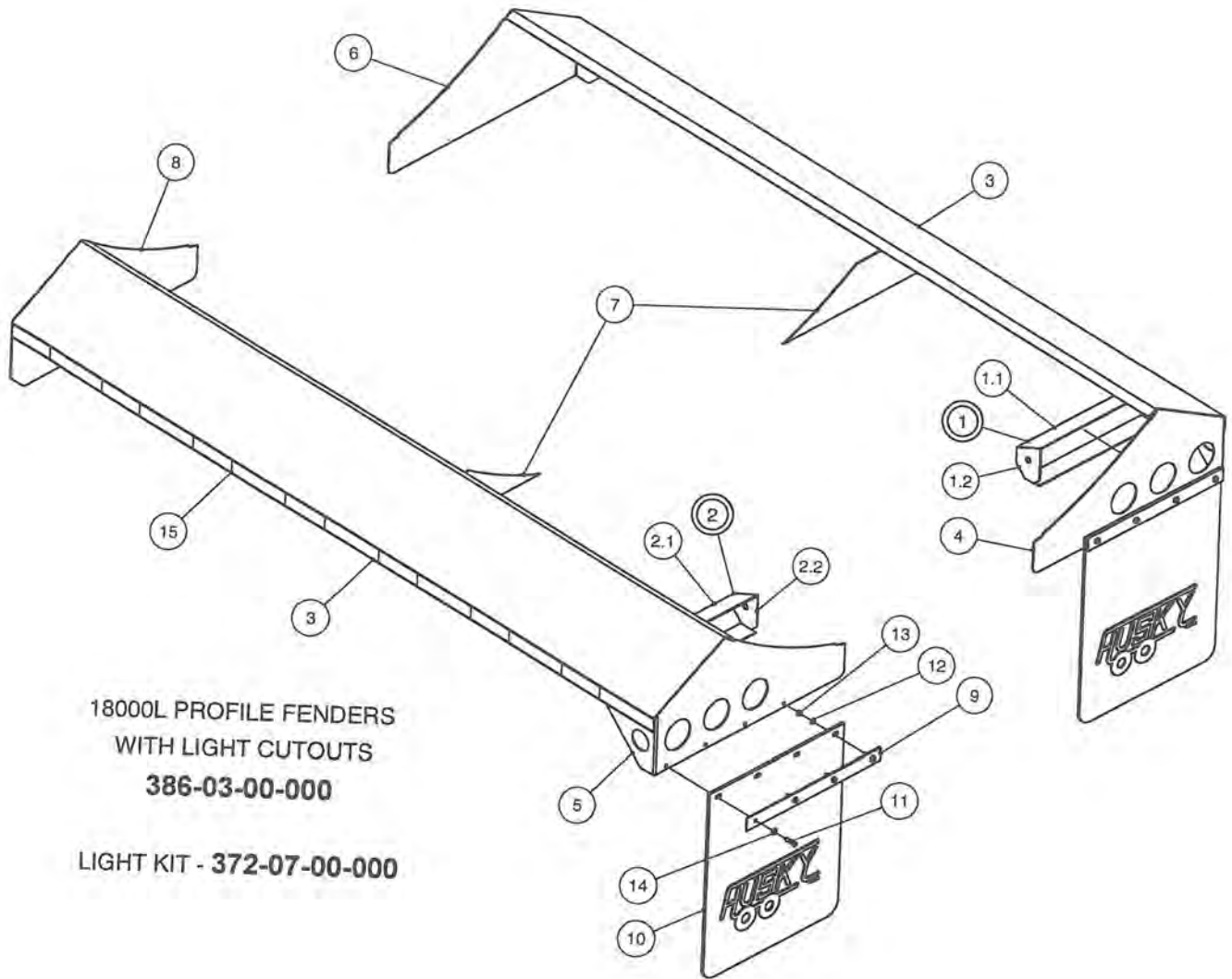
## 18000L FENDERS - NO LIGHTS



18000L PROFILE FENDERS  
NO LIGHT CUTOUTS  
**386-02-00-000**

PARTS LIST			
ITEM	PART NUMBER	DESCRIPTION	QTY
1	386-02-00-015	FENDER 18000L PROFILE - 102" O/A WIDE	2
2	386-02-00-014	LH REAR FENDER END w/ NO LIGHTS	1
3	386-02-00-013	RH REAR FENDER END w/ NO LIGHTS	1
4	386-02-00-018	RH FRONT FENDER END	1
5	386-02-00-019	LH FRONT FENDER END	1
6	386-02-00-020	FENDER GUSSET - 18000L 8'-6" O/A WIDTH	2
7	R09528	HUSKY MUDFLAP	2
8	332-27-00-083	MUDFLAP CLAMP STRAP	2
9	R07620	3/8 x 1 1/2 HEX BOLT	8
10	R07803	3/8 LOCK WASHER	8
11	R07783	3/8 HEX NUT	8
12	R07823	3/8 FLAT WASHER	8
13	R10361	REFLECTOR TAPE - RED/SILVER	2

# 18000L FENDERS WITH LIGHTS

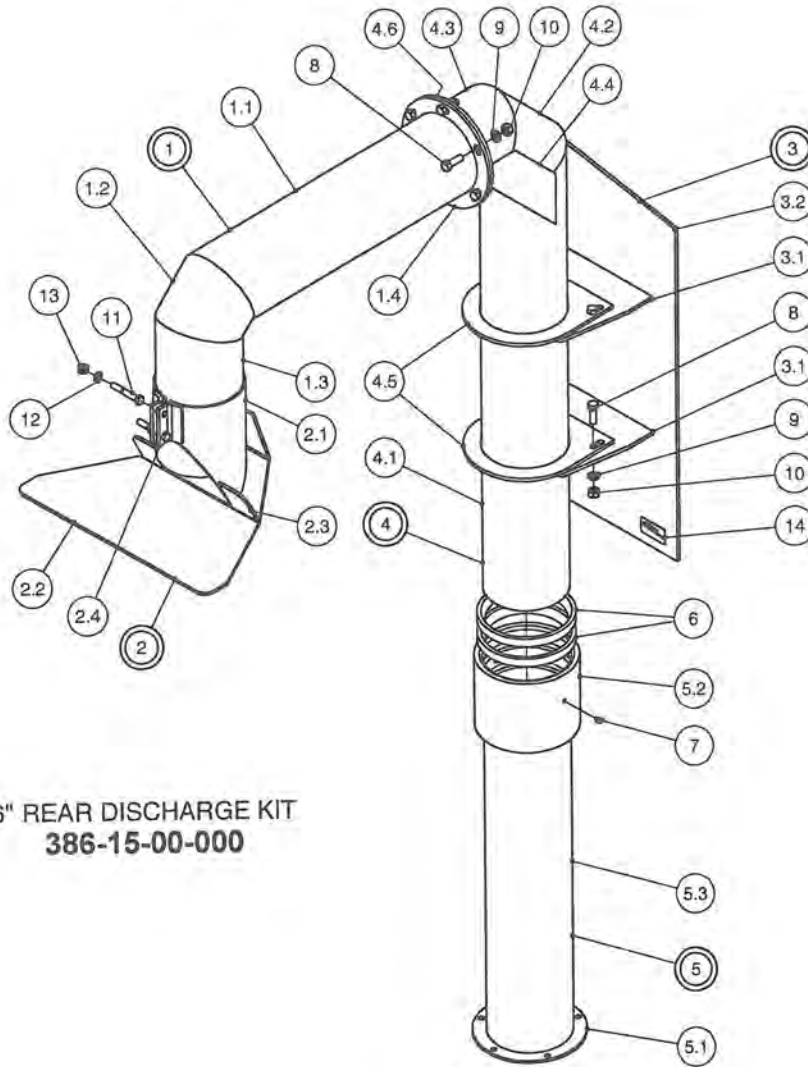


18000L PROFILE FENDERS  
WITH LIGHT CUTOUTS  
**386-03-00-000**

LIGHT KIT - **372-07-00-000**

PARTS LIST				PARTS LIST			
ITEM	PART NUMBER	DESCRIPTION	QTY	ITEM	PART NUMBER	DESCRIPTION	QTY
1	332-33-01-000	RH INNER LIGHT COVER ASSY	1	7	386-02-00-020	FENDER GUSSET - 18000L 8'-6" O/A WIDTH	2
1.1	332-33-01-079	INNER LIGHT COVER	1	8	386-02-00-019	LH FRONT FENDER END	1
1.2	332-33-01-080	INNER LIGHT COVER END CAP	1	9	332-27-00-083	MUDFLAP CLAMP STRAP	2
2	332-33-02-000	LH INNER LIGHT COVER ASSY	1	10	R09528	HUSKY MUDFLAP	2
2.1	332-33-01-079	INNER LIGHT COVER	1	11	R07620	3/8 x 1 1/2 HEX BOLT	8
2.2	332-33-01-080	INNER LIGHT COVER END CAP	1	12	R07803	3/8 LOCK WASHER	8
3	386-02-00-015	FENDER 18000L PROFILE - 102" O/A WIDE	2	13	R07783	3/8 HEX NUT	8
4	386-03-00-016	RH REAR FENDER END w/ LIGHTS	1	14	R07823	3/8 FLAT WASHER	8
5	386-03-00-017	LH REAR FENDER END w/ LIGHTS	1	15	R10361	REFLECTOR TAPE - RED/SILVER	2
6	386-02-00-018	RH FRONT FENDER END	1				

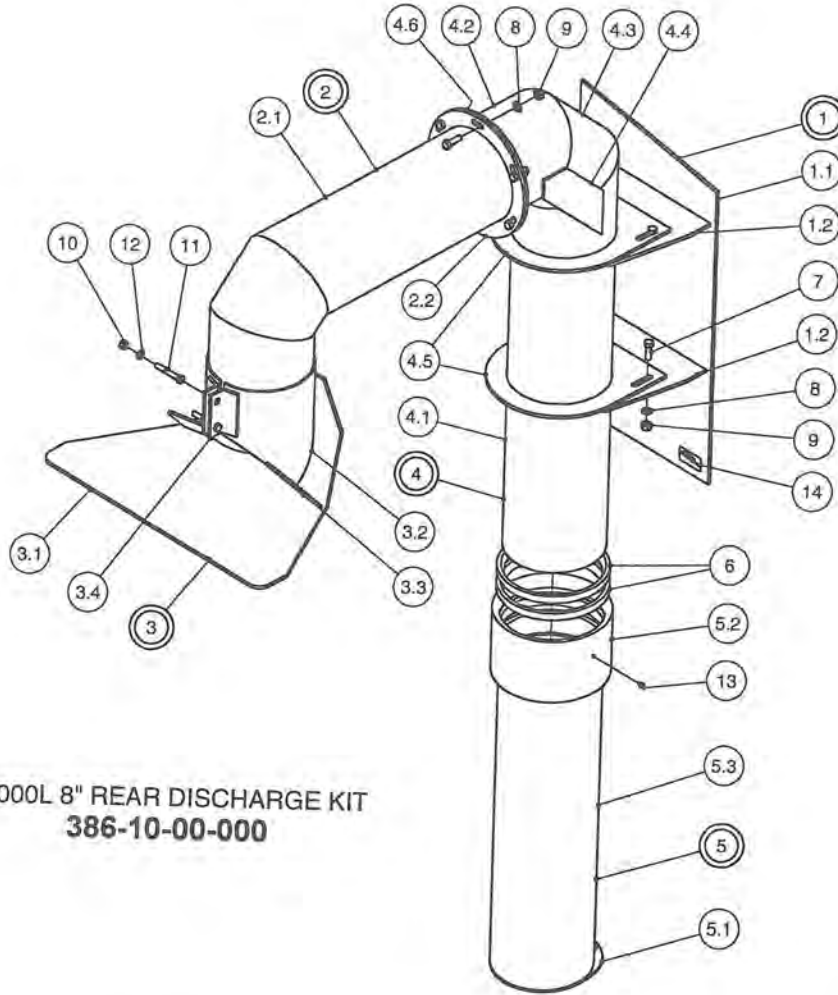
## 18000L 6in REAR DISCHARGE KIT



**6" REAR DISCHARGE KIT  
386-15-00-000**

PARTS LIST				PARTS LIST			
ITEM	PART NUMBER	DESCRIPTION	QTY	ITEM	PART NUMBER	DESCRIPTION	QTY
1	364-25-00-000	DISCHARGE PIPE END SECTION ASSY	1	4.4	384-05-02-097	GUSSET	2
1.1	364-25-00-088	DISCHARGE PIPE FLANGE PC	1	4.5	384-05-02-069	TUBE ATTACHMENT BRKT	2
1.2	364-19-00-082	DISCHARGE PIPE CORNER PC	1	4.6	364-19-00-087	DISCHARGE PIPE FLANGE	1
1.3	364-25-00-067	DISCHARGE PIPE END PC	1	5	386-15-01-000	DOUBLE SEAL HOLDER ASSY-18000 L	1
1.4	364-19-00-087	DISCHARGE PIPE FLANGE	1	5.1	364-01-03-376	DISCHARGE RING	1
2	364-68-00-000	SPLASH PLATE ASSY	1	5.2	384-05-01-025	DOUBLE SEAL HOLDER	1
2.1	364-68-00-215	CLAMPING TUBE	1	5.3	386-15-01-386	LONG EXTENSION TUBE	1
2.2	364-21-00-069	SPLASH PLATE	1	6	R02366	6" RUBBER GASKET	2
2.3	364-21-00-224	SPLASH PLATE WING	2	7	R08183	1/4" - 28 STRAIGHT GREASE FITTING	2
2.4	364-21-00-071	CLAMPING TUBE BRKT	2	8	R07671	7/16 x 1 1/4 HEX BOLT	10
3	384-05-03-000	DISCHARGE SUPPORT ASSY - 6" PIPE	1	9	R07804	7/16 LOCK WASHER	10
3.1	384-05-03-070	TANK BRKT	2	10	R07784	7/16 HEX NUT	10
3.2	385-05-04-144	PIPE HOLDER BACK PLATE	1	11	R07622	3/8 x 2 1/2 HEX BOLT	2
4	384-06-02-000	VERTICAL DISCHARGE PIPE ASSY	1	12	R07803	3/8 LOCK WASHER	2
4.1	384-06-02-037	VERTICAL DISCHARGE TUBE	1	13	R07783	3/8 HEX NUT	2
4.2	384-05-02-028	PIPE CORNER PC	1	14	R09662	SYN. GREASE DECAL	1
4.3	384-05-02-029	PIPE END PC	1				

# 18000L 8" REAR DISCHARGE KIT

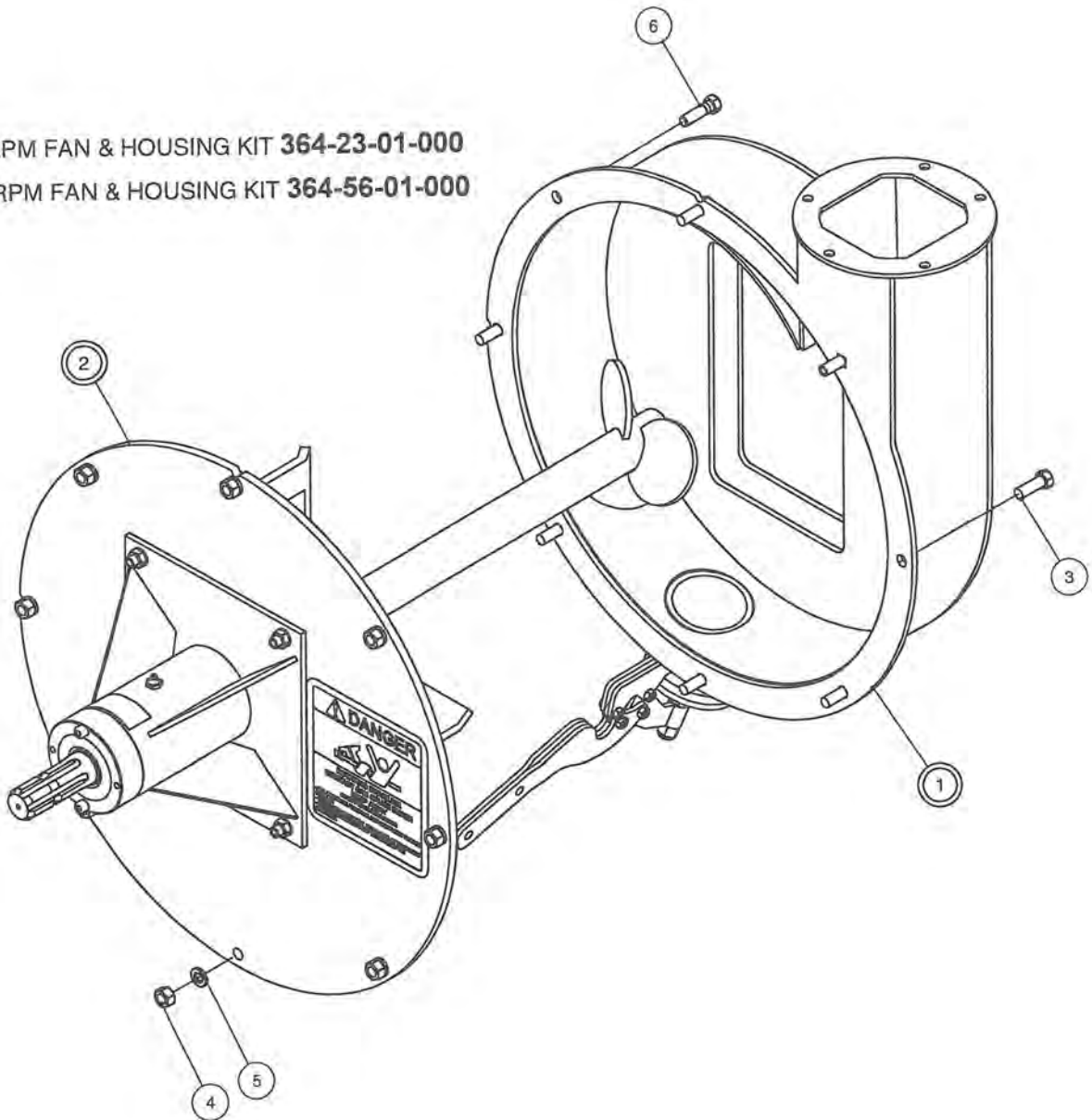


18000L 8" REAR DISCHARGE KIT  
386-10-00-000

PARTS LIST				PARTS LIST			
ITEM	PART NUMBER	DESCRIPTION	QTY	ITEM	PART NUMBER	DESCRIPTION	QTY
1	385-05-04-000	8" VERTICAL DISCHARGE PIPE HOLDER ASSY	1	4.5	357-47-01-227	8" PIPE MOUNT BRKT	2
1.1	385-05-04-144	PIPE HOLDER BACK PLATE	1	4.6	358-92-02-306	8" DISCHARGE FLANGE	1
1.2	357-47-00-226	8" TANK MOUNT BRKT	2	5	386-10-02-000	HOUSING TO DOUBLE SEAL HOLDER-18000L	1
2	358-92-03-000	8" EXTENSION PIPE ASSY	1	5.1	358-92-01-301	8" HOUSING DISCHARGE RING	1
2.1	358-92-03-307	8" EXTENSION PIPE	1	5.2	386-05-01-073	8" DOUBLE SEAL HOLDER	1
2.2	358-92-02-306	8" DISCHARGE FLANGE	1	5.3	386-10-02-390	DOUBLE SEAL HOLDER EXT. PIPE	1
3	358-92-04-000	8" SPLASH PLATE ASSY	1	6	R02360	8" SQ RAINWAY/HUSKY GASKET	2
3.1	358-92-04-308	8" SPLASH PLATE	1	7	R07671	7/16 x 1 1/4 HEX BOLT	10
3.2	358-92-04-309	8" SPLASH PLATE TUBE	1	8	R07804	7/16 LOCK WASHER	10
3.3	358-92-04-310	WING FOR 8" SPLASH PLATE	2	9	R07784	7/16 HEX NUT	10
3.4	358-92-04-311	CLAMPING TUBE BRKT	2	10	R07783	3/8 HEX NUT	2
4	385-05-09-000	8" VERTICAL DISCHARGE PIPE ASSY	1	11	R07622	3/8 x 2 1/2 HEX BOLT	2
4.1	385-05-09-145	8" VERTICAL DISCHARGE TUBE	1	12	R07803	3/8 LOCK WASHER	2
4.2	385-05-09-146	ELBOW END PC	1	13	R08183	1/4" - 28 STRAIGHT GREASE FITTING	2
4.3	385-05-09-147	ELBOW MIDDLE PC	1	14	R09662	SYN. GREASE DECAL	1
4.4	384-05-02-097	GUSSET	2				

## TRUCKMOUNT FAN & HOUSING KIT

540 RPM FAN & HOUSING KIT **364-23-01-000**  
 1000 RPM FAN & HOUSING KIT **364-56-01-000**

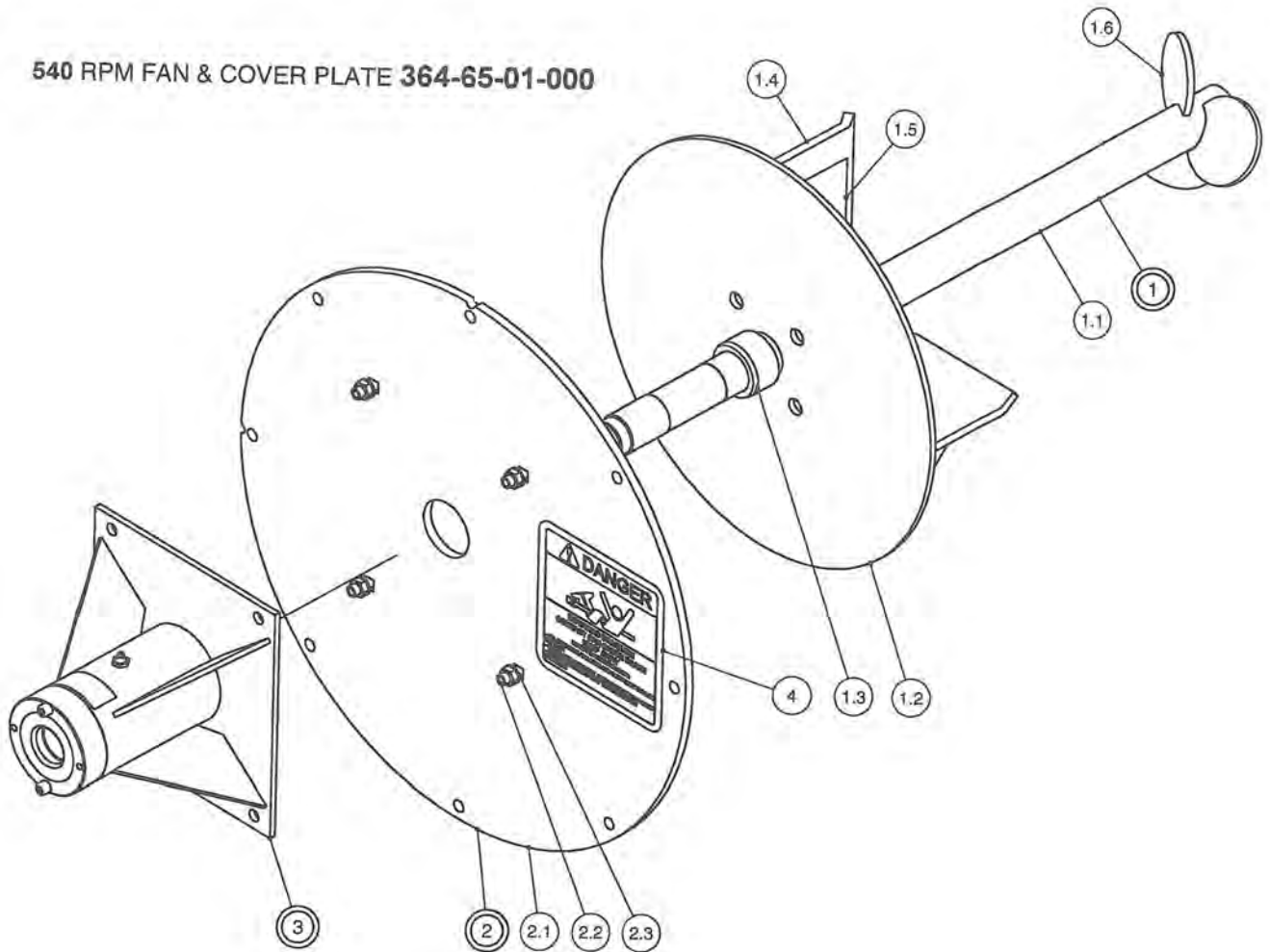


PARTS LIST			
ITEM	PART NUMBER	DESCRIPTION	QTY
1	364-81-00-000	FAN HOUSING ASSY COMPLETE	1
2	364-65-01-000	540 RPM FAN & COVER PLATE	1
	364-66-01-000	1000 RPM FAN & COVER PLATE	1
3	R07671	7/16 x 1 1/4 HEX BOLT	6
4	R07784	7/16 HEX NUT	8
5	R07804	7/16 LOCK WASHER	8
6	R07629	7/16 x 1 1/2 HEX BOLT	1



## 540 RPM T.M. FAN & COVER PLATE

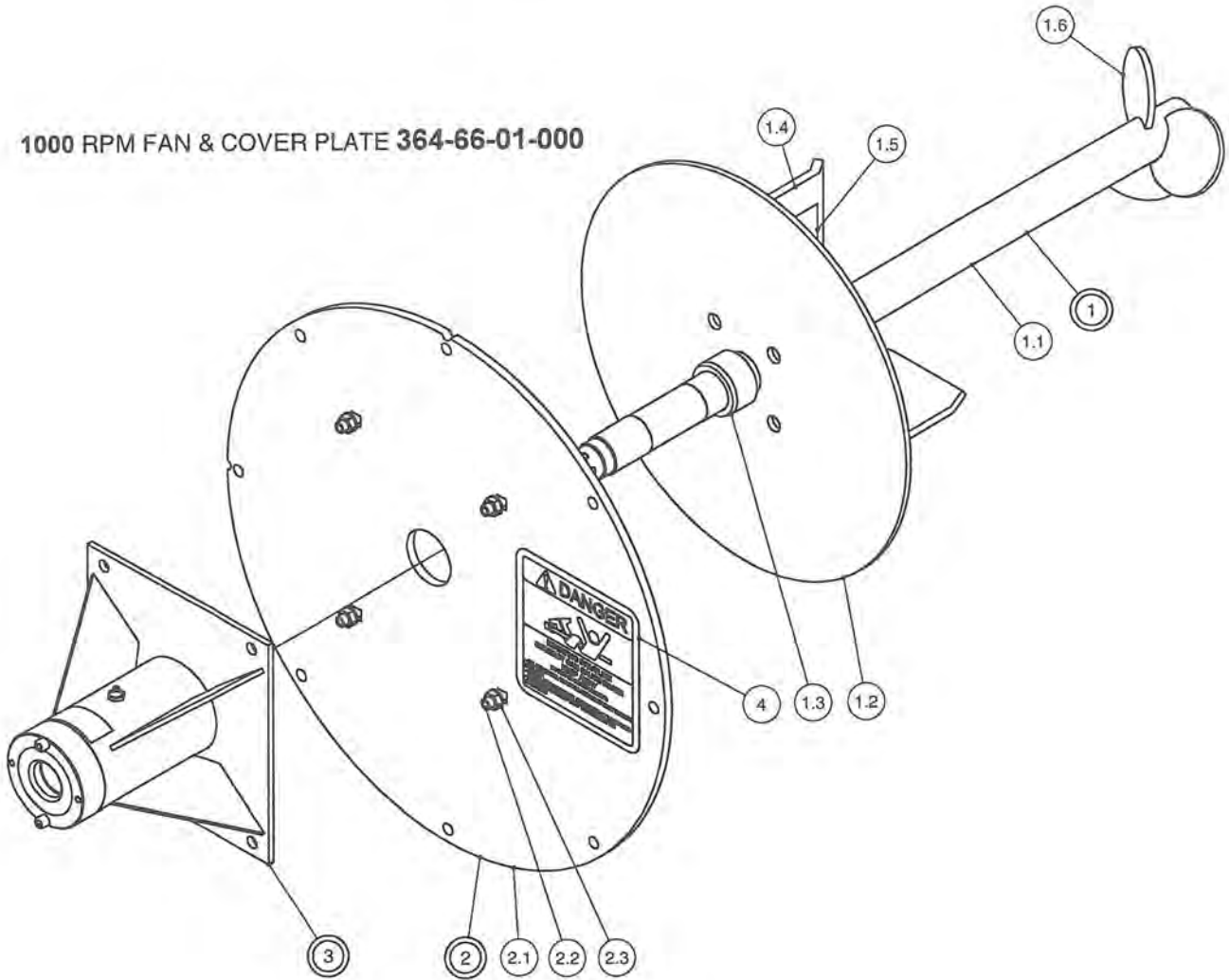
**540 RPM FAN & COVER PLATE 364-65-01-000**



PARTS LIST			
ITEM	PART NUMBER	DESCRIPTION	QTY
1	364-72-00-000	540 RPM SHAFT & IMPELLER ASSY - CHT	1
1.1	364-72-00-226	FAN SHAFT	1
1.2	364-63-00-209	FAN BACK PLATE	1
1.3	R20238	HARDENED SEAL SLEEVE	1
1.4	364-63-00-208	CHT 540 RPM FAN BLADE	4
1.5	364-72-00-422	FAN BLADE GUSSET	4
1.6	364-72-00-227	AGITATOR BLADE	3
2	364-67-00-000	COVER PLATE ASSY	1
2.1	364-67-00-211	HOUSING COVER PLATE	1
2.2	R07774	7/16 x 1 1/4" GR 5 CARRIAGE BOLT	4
2.3	R07879	7/16 FLANGE NUT	4
3	357-59-00-000	BEARINGS & HOLDER KIT 2002	1
4	R09785	"DANGER ROTATING DRIVELINE" DECAL	1

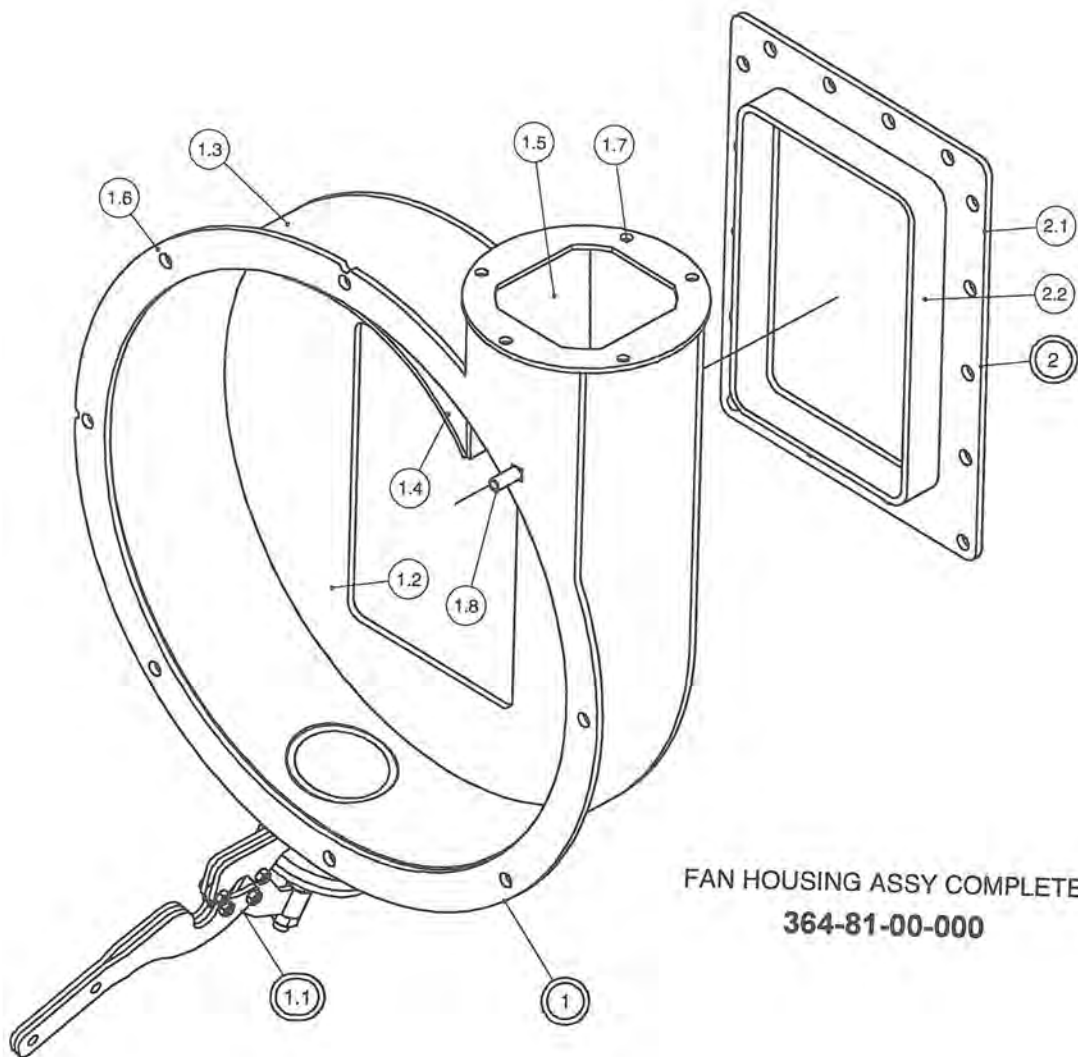
## TRUCKMOUNT FAN & COVER PLATE

### 1000 RPM FAN & COVER PLATE 364-66-01-000



PARTS LIST			
ITEM	PART NUMBER	DESCRIPTION	QTY
1	364-73-00-000	1000 RPM SHAFT & IMPELLER ASSY - CHT	1
1.1	364-72-00-226	FAN SHAFT	1
1.2	364-63-00-209	FAN BACK PLATE	1
1.3	R20238	HARDENED SEAL SLEEVE	1
1.4	364-64-00-210	CHT 1000 RPM FAN BLADE	4
1.5	364-72-00-422	FAN BLADE GUSSET	4
1.6	364-72-00-227	AGITATOR BLADE	3
2	364-67-00-000	COVER PLATE ASSY	1
2.1	364-67-00-211	HOUSING COVER PLATE	1
2.2	R07774	7/16 x 1 1/4" GR 5 CARRIAGE BOLT	4
2.3	R07879	7/16 FLANGE NUT	4
3	357-59-00-000	BEARINGS & HOLDER KIT 2002	1
4	R09785	"DANGER ROTATING DRIVELINE" DECAL	1

## FAN HOUSING ASSY



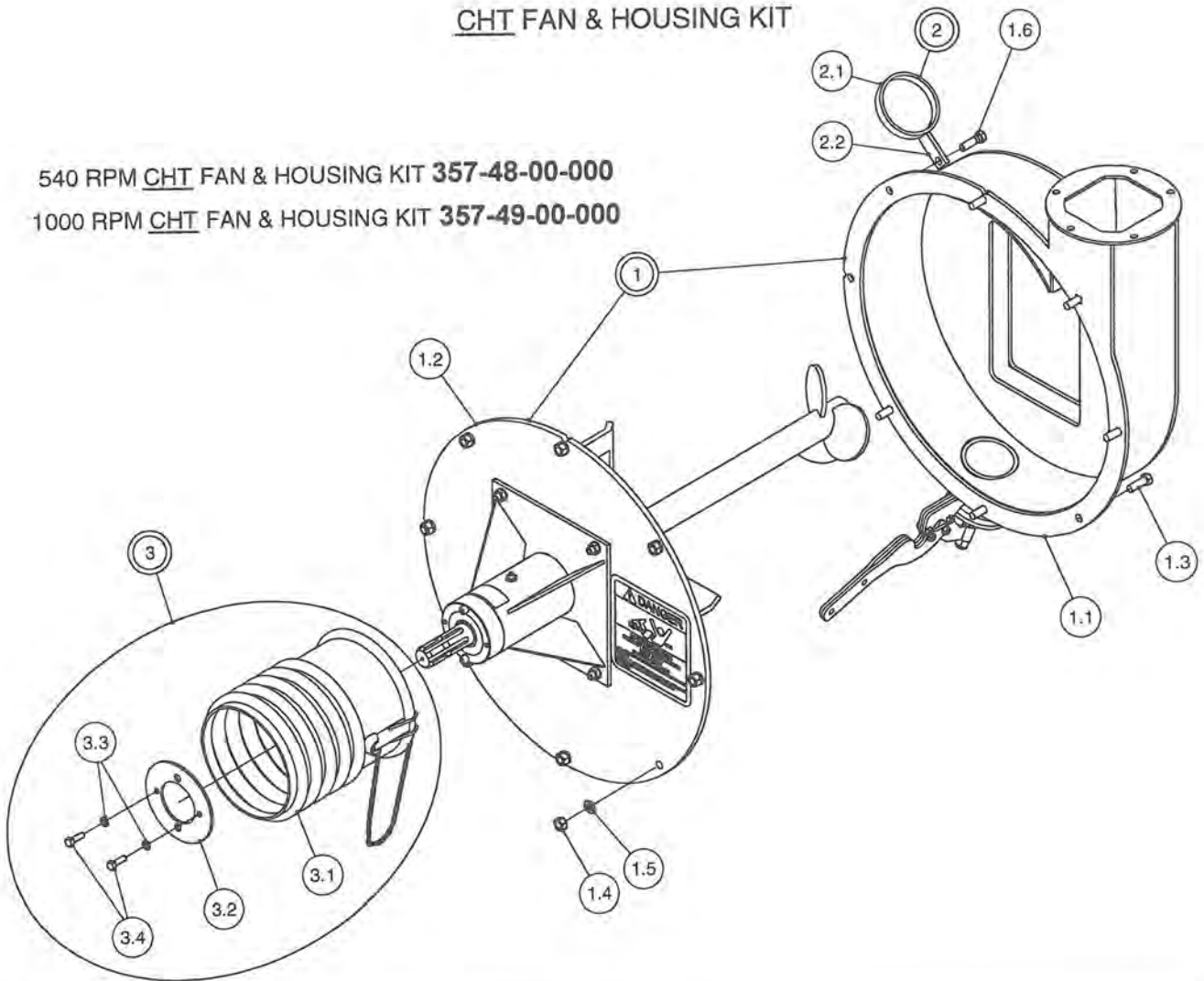
**FAN HOUSING ASSY COMPLETE  
364-81-00-000**

PARTS LIST			
ITEM	PART NUMBER	DESCRIPTION	QTY
1	364-81-01-000	FAN HOUSING ASSY LESS FLANGE	1
1.1	364-62-00-000	DRAIN PLUG KIT	1
1.2	364-01-03-106	HOUSING BACK PLATE	1
1.3	364-01-03-018	HOUSING BAND	1
1.4	364-01-03-156	HOUSING BAND AID	1
1.5	364-01-03-081	FAN HOUSING VERTICAL PC	1
1.6	364-01-03-019	HOUSING FLANGE	1
1.7	364-01-03-376	DISCHARGE RING	1
1.8	R07774	7/16 x 1 1/4" GR 5 CARRIAGE BOLT	1
2	364-81-02-000	HOUSING INLET FLANGE ASSY	1
2.1	364-81-02-393	HOUSING FLANGE	1
2.2	364-81-02-424	INLET EXTENSION TUBE	1

## CHT FAN & HOUSING KIT

540 RPM CHT FAN & HOUSING KIT **357-48-00-000**

1000 RPM CHT FAN & HOUSING KIT **357-49-00-000**

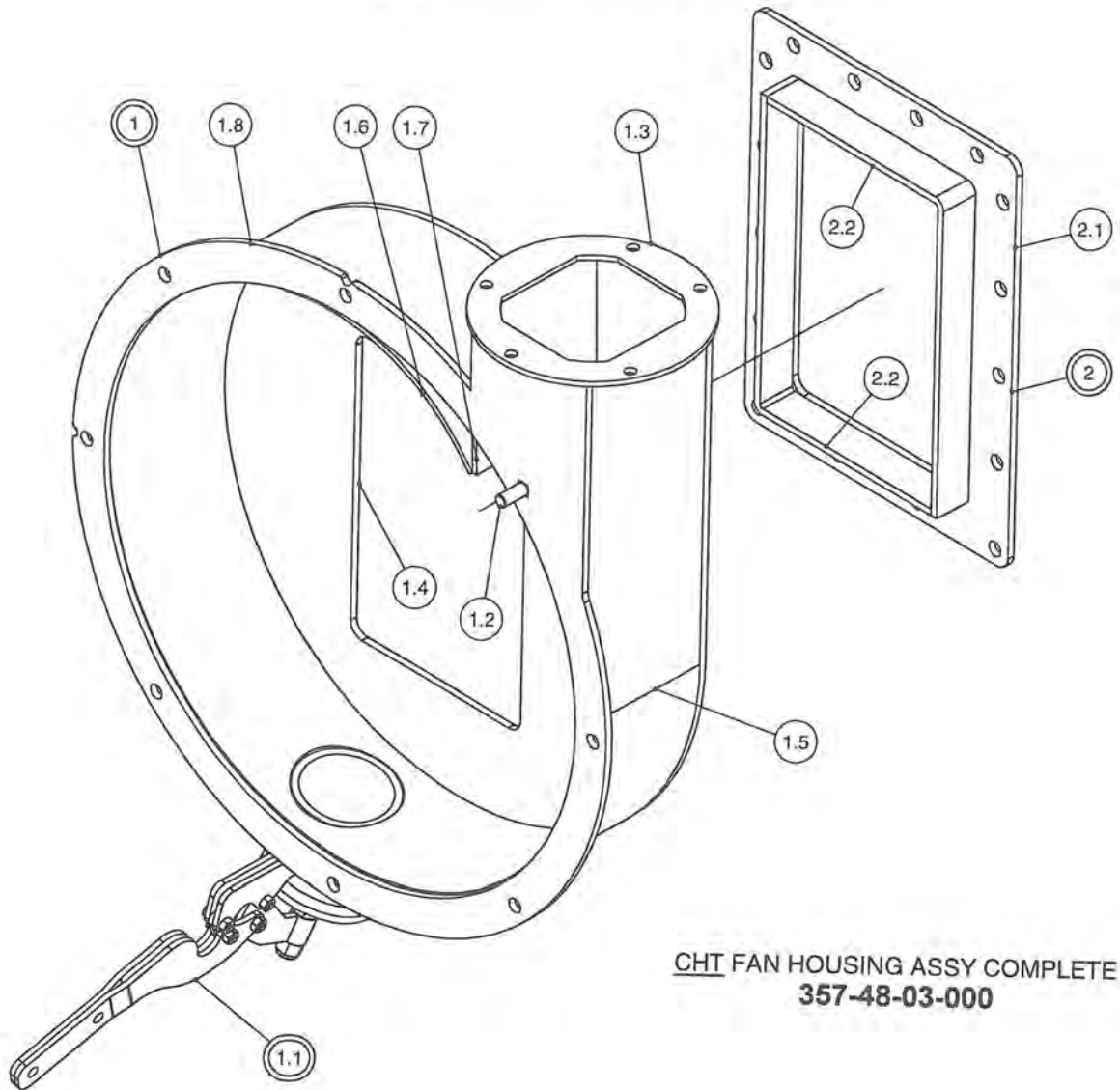


### PARTS LIST

ITEM	PART NUMBER	DESCRIPTION	QTY
1	357-49-03-000	CHT 1000 RPM FAN & HOUSING KIT	OPT
1	357-48-06-000	CHT 540 FAN & HOUSING KIT	1
1.1	357-48-03-000	CHT FAN HOUSING ASSY COMPLETE	1
1.2	364-66-01-000	1000 RPM FAN & COVER PALTE	OPT
1.2	364-65-01-000	540 RPM FAN & COVER PLATE	1
1.3	R07671	7/16 x 1 1/4 HEX BOLT	6
1.4	R07784	7/16 HEX NUT	8
1.5	R07804	7/16 LOCK WASHER	8
1.6	R07629	7/16 x 1 1/2 HEX BOLT	1
2	364-41-00-000	PTO HOLDER ASSY	1
2.1	364-41-00-132	PTO HOLDER	1
2.2	364-41-00-133	PTO HOLDER BRACKET	1
3	364-69-00-000	PLASTIC PTO GUARD KIT	1
3.1	R22196	SHEILD CONE ASSY	1
3.2	364-00-00-448	GUARD SUPPORT	1
3.3	R07802	5/16 LOCK WASHER	2
3.4	R07611	5/16 x 1" HEX BOLT	2

DPT = OPTIONAL

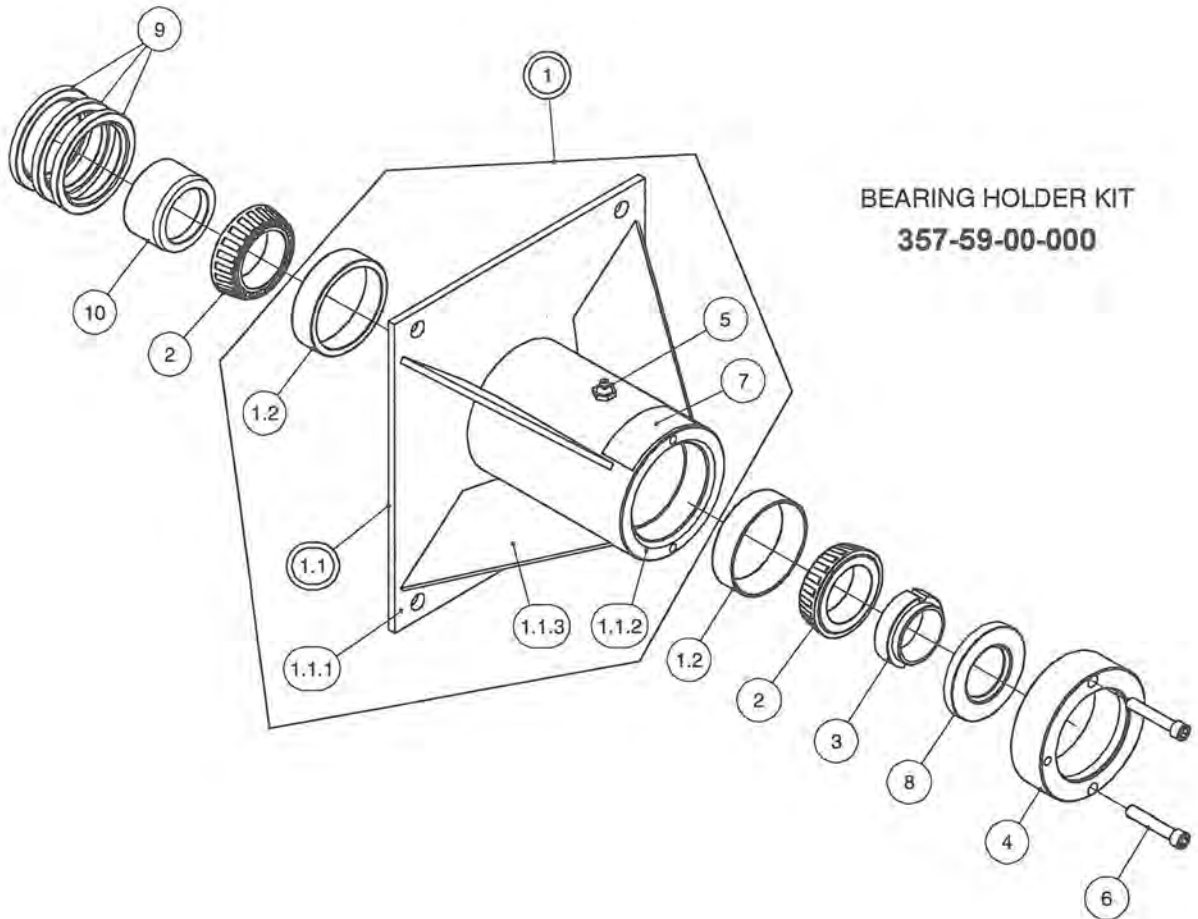
## CHT FAN HOUSING ASSY



**CHT FAN HOUSING ASSY COMPLETE**  
**357-48-03-000**

PARTS LIST			
ITEM	PART NUMBER	DESCRIPTION	QTY
1	357-48-01-000	CHT FAN HOUSING ASSY LESS FLANGE	1
1.1	364-62-00-000	DRAIN PLUG KIT	1
1.2	R07774	7/16 x 1 1/4 UNC CARRIAGE BOLT	1
1.3	364-01-03-376	DISCHARGE RING	1
1.4	357-48-01-228	CHT HOUSING BACK PLATE	1
1.5	357-48-01-232	CHT HOUSING BAND	1
1.6	357-48-01-231	CHT HOUSING BAND AID	1
1.7	357-48-01-230	CHT FAN HOUSING VERTICAL PC	1
1.8	357-48-01-229	CHT HOUSING FLANGE	1
2	357-48-02-000	CHT HOUSING INLET FLANGE ASSY	1
2.1	364-81-02-393	HOUSING FLANGE	1
2.2	357-48-02-233	CHT INLET EXTENSION	2

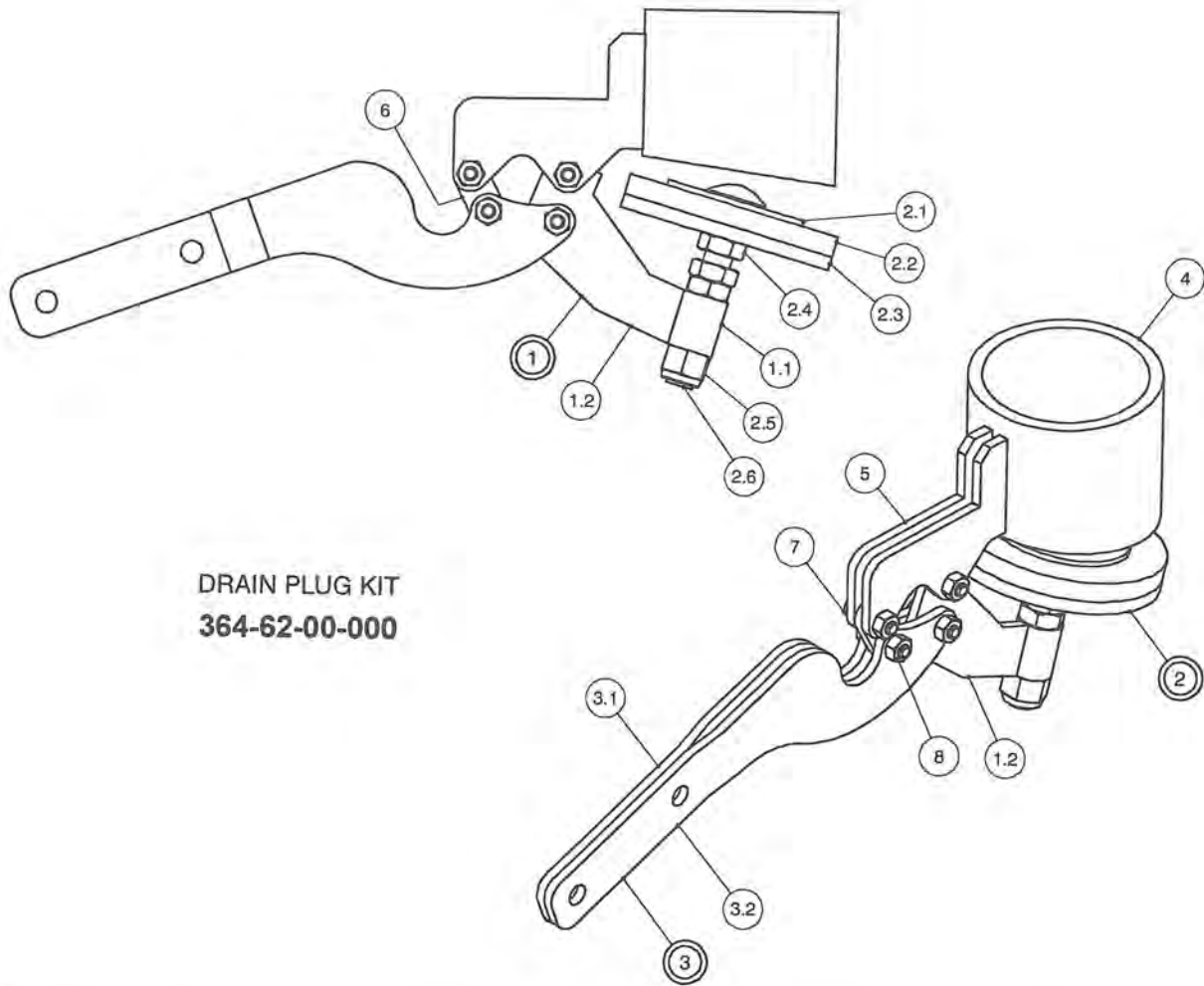
## BEARING HOLDER KIT



**BEARING HOLDER KIT  
357-59-00-000**

PARTS LIST			
ITEM	PART NUMBER	DESCRIPTION	QTY
1	357-59-01-000	BEARING HOLDER w/ CUPS KIT	1
1.1	357-59-02-000	BEARING BOX ASSY	1
1.1.1	364-61-00-192	SEAL TUBE BACK PLATE	1
1.1.2	364-61-00-191	BEARING TUBE	1
1.1.3	357-59-02-289	BEARING BOX GUSSET	4
1.2	R20113	LM501310 OUTER CUP	2
2	R20115	LM501349 OUTER CONE	2
3	364-00-00-212	STAKE NUT	1
4	364-00-00-332	SEAL TUBE KIT	1
5	R08188	1/4" NPT STRAIGHT GREASE FITTING	1
6	R08175	5/16 - 18 UNC x 1 3/4" CAP SCREW	2
7	R09787	GREASE DECAL	1
8	R21196	SL LIP SEAL 152833TB 1.5"	1
9	R21197	2.25 x 3.005 x .25 SEAL	3
10	R20238	HARDENED SEAL SLEEVE	1

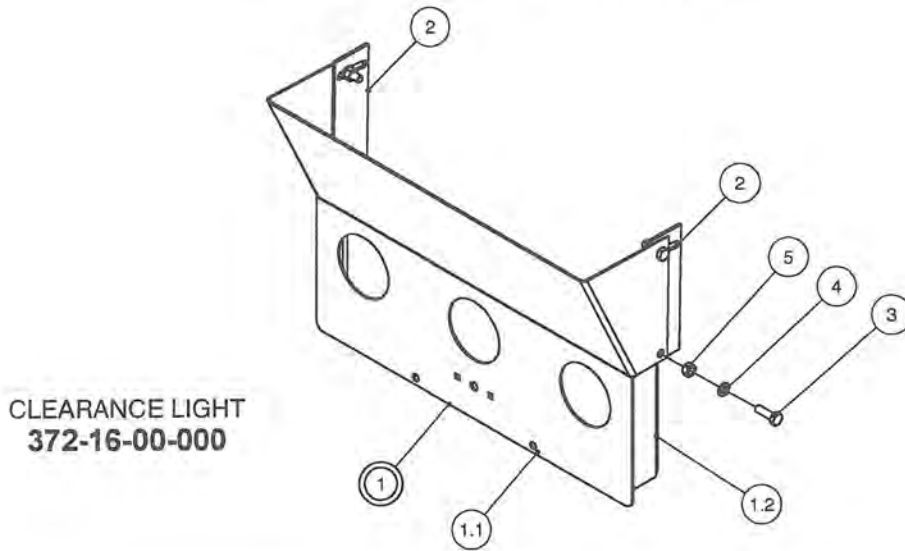
## DRAIN PLUG KIT



**DRAIN PLUG KIT**  
**364-62-00-000**

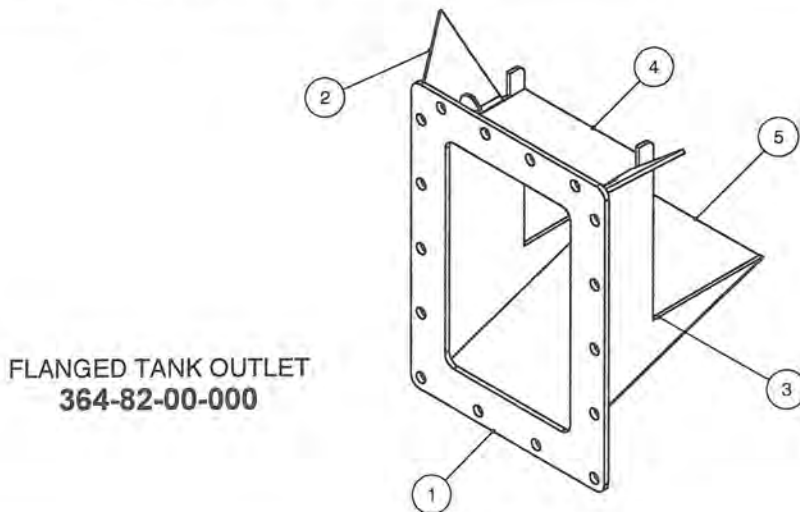
PARTS LIST			
ITEM	PART NUMBER	DESCRIPTION	QTY
1	364-62-01-000	DRAIN PLUG SLEEVE ASSY	1
1.1	364-62-01-201	SLEEVE	1
1.2	364-62-01-200	SLEEVE LINKAGE	1
2	364-62-05-000	DRAIN PLUG REPLACMENT KIT	1
2.1	364-62-04-370	PLUG WASHER	1
2.2	364-62-02-204	RUBBER PLUG	1
2.3	364-62-02-203	PLUG PLATE	1
2.4	R08046	1/2 - 13 JAM NUT	3
2.5	R08219	1/2 UNC NYLOCK NUT	1
2.6	R08316	1/2 x 3 1/2" FULL THREAD CAR BOLT	1
3	364-62-03-000	HANDLE ASSY	1
3.1	364-62-03-206	LH HANDLE	1
3.2	364-62-03-207	RH HANDLE	1
4	364-01-03-110	DRAIN PIPE	1
5	364-62-00-199	PLUG HOUSING BRKT	2
6	364-62-00-205	SHORT LINKAGE	1
7	R08176	1/4 x 7/8" HEX BOLT	4
8	R08048	1/4" 2 WAY LOCK NUT	4

## CLEARANCE LIGHT & TANK OUTLET



**CLEARANCE LIGHT**  
**372-16-00-000**

PARTS LIST			
ITEM	PART NUMBER	DESCRIPTION	QTY
1	372-16-00-000	CLEARANCE LIGHT BOX ASSY	1
1.1	372-00-00-045	STICKER PLATE	1
1.2	372-16-00-065	CLEARANCE LIGHT COVER	1
2	372-00-00-046	STICKER PLATE BRKT	2
3	R07611	5/16 x 1 UNC HEX BOLT	4
4	R07802	5/16" LOCK WASHER	4
5	R07782	5/16-18 UNC HEX NUT	4



**FLANGED TANK OUTLET**  
**364-82-00-000**

PARTS LIST			
ITEM	PART NUMBER	DESCRIPTION	QTY
1	364-81-02-393	HOUSING FLANGE	1
2	364-82-00-395	LH OUTLET SIDE PC	1
3	364-82-00-396	RH OUTLET SIDE PC	1
4	364-01-03-104	OUTLET TOP PC	1
5	364-01-03-105	OUTLET BOTTOM PC	1



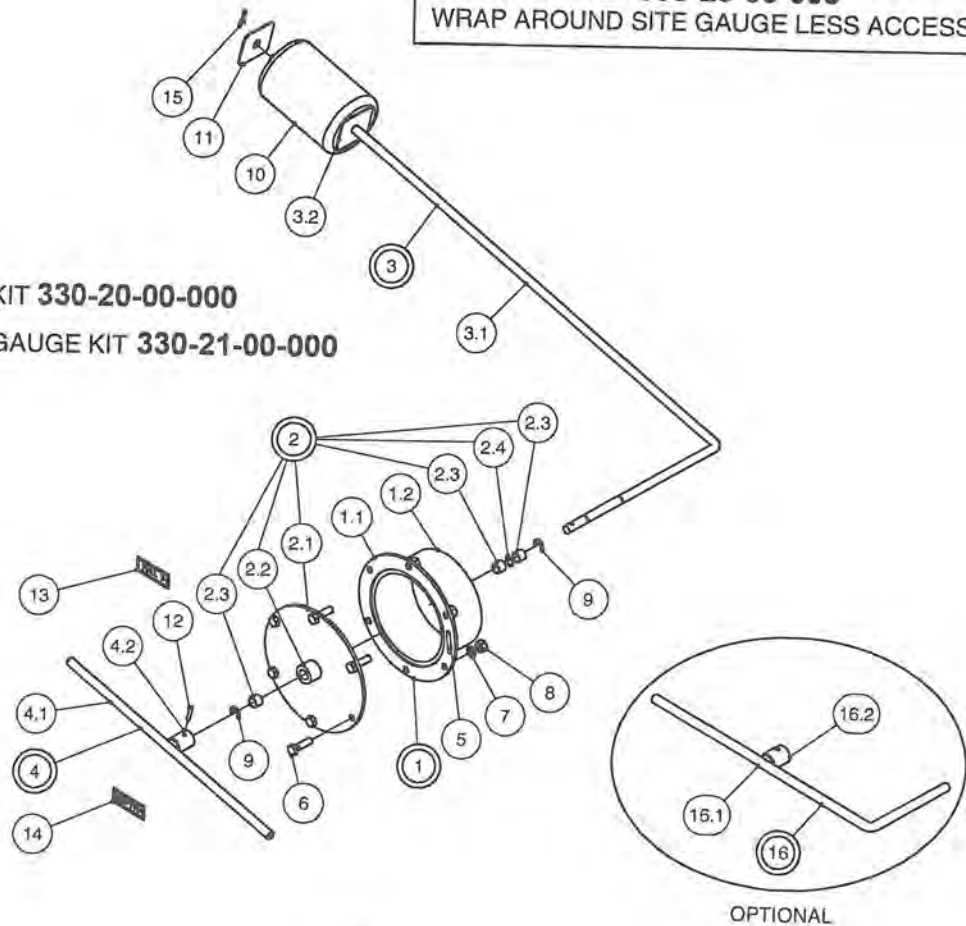
# SIGHT GAUGE KIT

PARTS LIST				PARTS LIST			
ITEM	PART NUMBER	DESCRIPTION	QTY	ITEM	PART NUMBER	DESCRIPTION	QTY
1	330-20-03-000	ACCESS TUBE ASSY	1	5	R04100	SILICONE SEALANT	1
1.1	330-20-03-560	ACCESS TUBE FLANGE	1	6	R07675	3/8 x 1 1/4" HEX BOLT	6
1.2	330-20-03-556	ACCESS TUBE	1	7	R07803	3/8 LOCK WASHER	6
2	330-20-04-000	COVER PLATE ASSY	1	8	R07783	3/8 HEX NUT	6
2.1	330-20-00-557	COVER PLATE	1	9	R07974	EXTERNAL RETAINING RING	2
2.2	330-20-04-562	BUSHING HOLDER	1	10	R09524	FLOAT	1
2.3	R21173	1/2 x 5/8 x 1/2" BRONZE BUSHING	3	11	330-20-01-552	FLOAT STRAPS	1
2.4	R20865	O-RING #11-014	1	12	R08241	3/16 x 1 SS ROLL PIN	1
3	330-20-01-000	FLOAT ARM ASSY	1	13	R09529	"FULL" DECAL	1
3.1	330-20-01-551	FLOAT ARM	1	14	R09530	"EMPTY" DECAL	1
3.2	330-20-01-552	FLOAT STRAPS	1	15	R08021	1/8 x 1 S.S. COTTER PIN	1
4	330-20-02-000	INDICATOR ARM ASSY	1	16	330-21-01-000	WRAP AROUND SITE ARM ASSY	1
4.1	330-20-02-554	INDICATOR ARM	1	16.1	330-19-46-546	WRAP AROUND SITE ARM	1
4.2	330-20-02-553	INDICATOR ARM HUB	1	16.2	330-20-02-553	INDICATOR ARM HUB	1

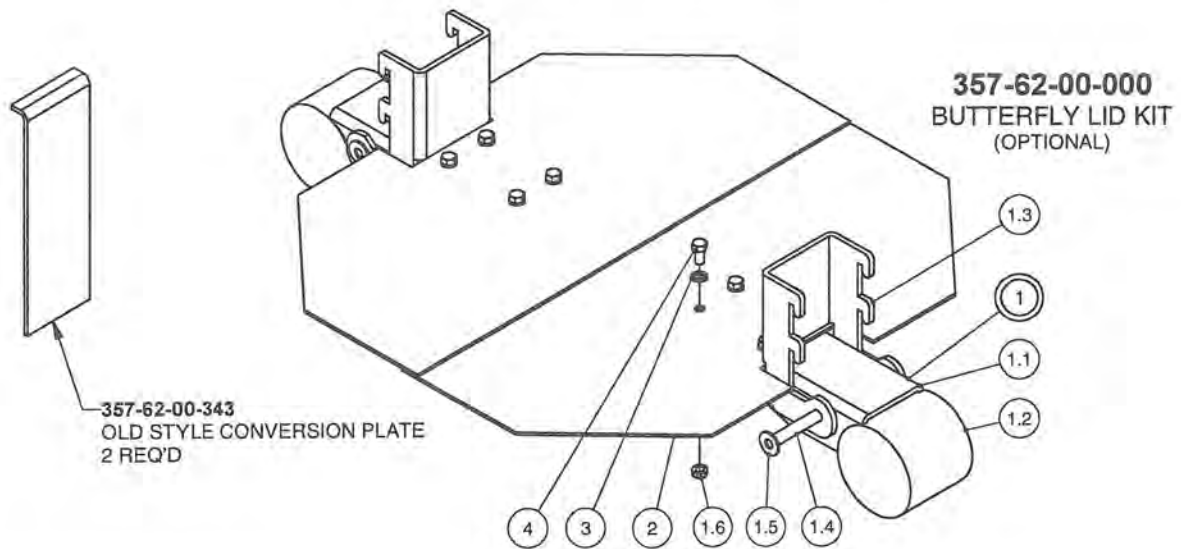
**330-22-00-000**  
SITE GAUGE LESS ACCESS TUBE

**330-23-00-000**  
WRAP AROUND SITE GAUGE LESS ACCESS TUBE

SIGHT GAUGE KIT **330-20-00-000**  
WRAP AROUND SIGHT GAUGE KIT **330-21-00-000**

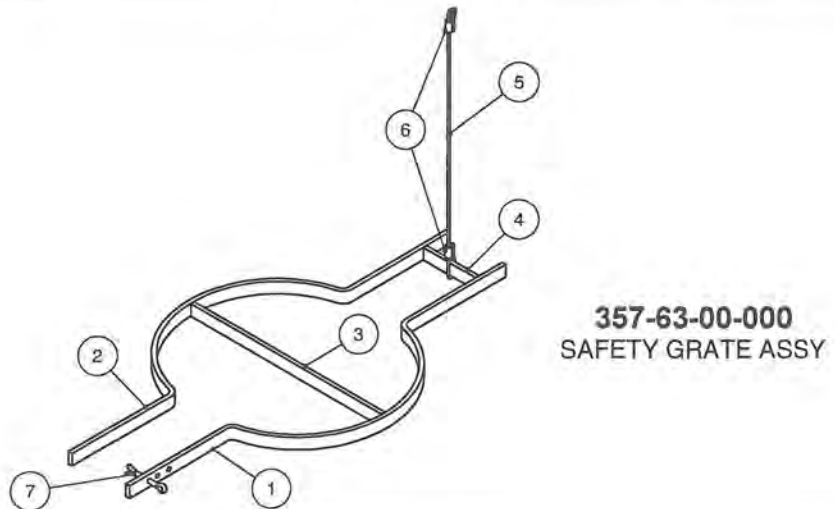


## BUTTERFLY LID & SAFETY GRATE



NOTE: WITH INSTALLATION OF A BUTTERFLY LID, A SAFETY GRATE MUST BE USED TO LOCK LID IN PLACE

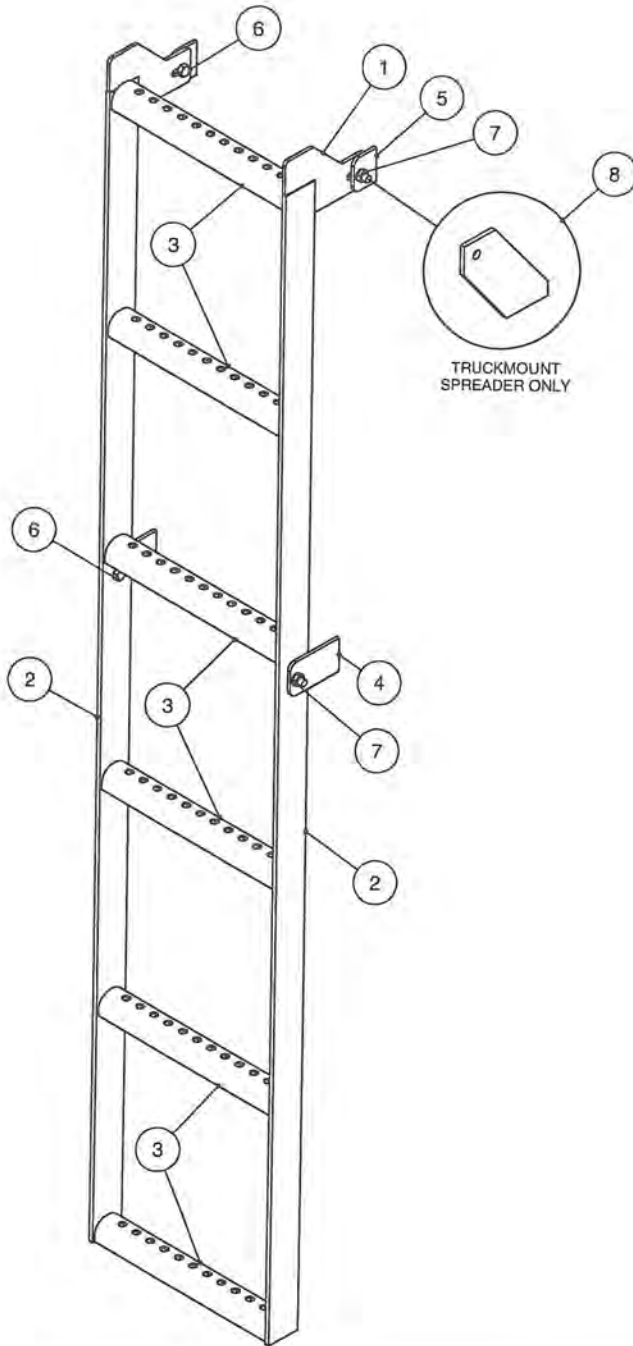
PARTS LIST				PARTS LIST			
ITEM	PART NUMBER	DESCRIPTION	QTY	ITEM	PART NUMBER	DESCRIPTION	QTY
1	357-62-01-000	BUTTERFLY HINGE KIT	2	1.5	R07824	7/16 FLAT WASHER	2
1.1	357-62-01-316	U - CHANNEL HINGE	1	1.6	R07794	3/8 FLANGE NUT	4
1.2	357-62-01-317	COUNTER WEIGHT	1	2	357-62-00-318	BUTTERFLY LID	2
1.3	357-62-01-319	DROP-IN HINGE	1	3	R08319	3/8 S.S. LOCK WASHER	8
1.4	357-62-01-315	HINGE PIN	1	4	R08317	3/8 x 3/4 S.S. HEX BOLT	8



PARTS LIST			
ITEM	PART NUMBER	DESCRIPTION	QTY
1	357-63-00-320	SAFETY BAR w/ HOLE	1
2	357-63-00-332	SAFETY BAR	1
3	357-63-00-321	CROSS SAFETY BAR	1
4	357-63-00-322	STOP BAR	1
5	357-63-00-331	SAFETY CABLE	1
6	R08068	1/8" ALUMINUM CRIMP SLEEVES	2
7	R08016	1/4 x 2 COTTER PIN	1

## LADDER KIT

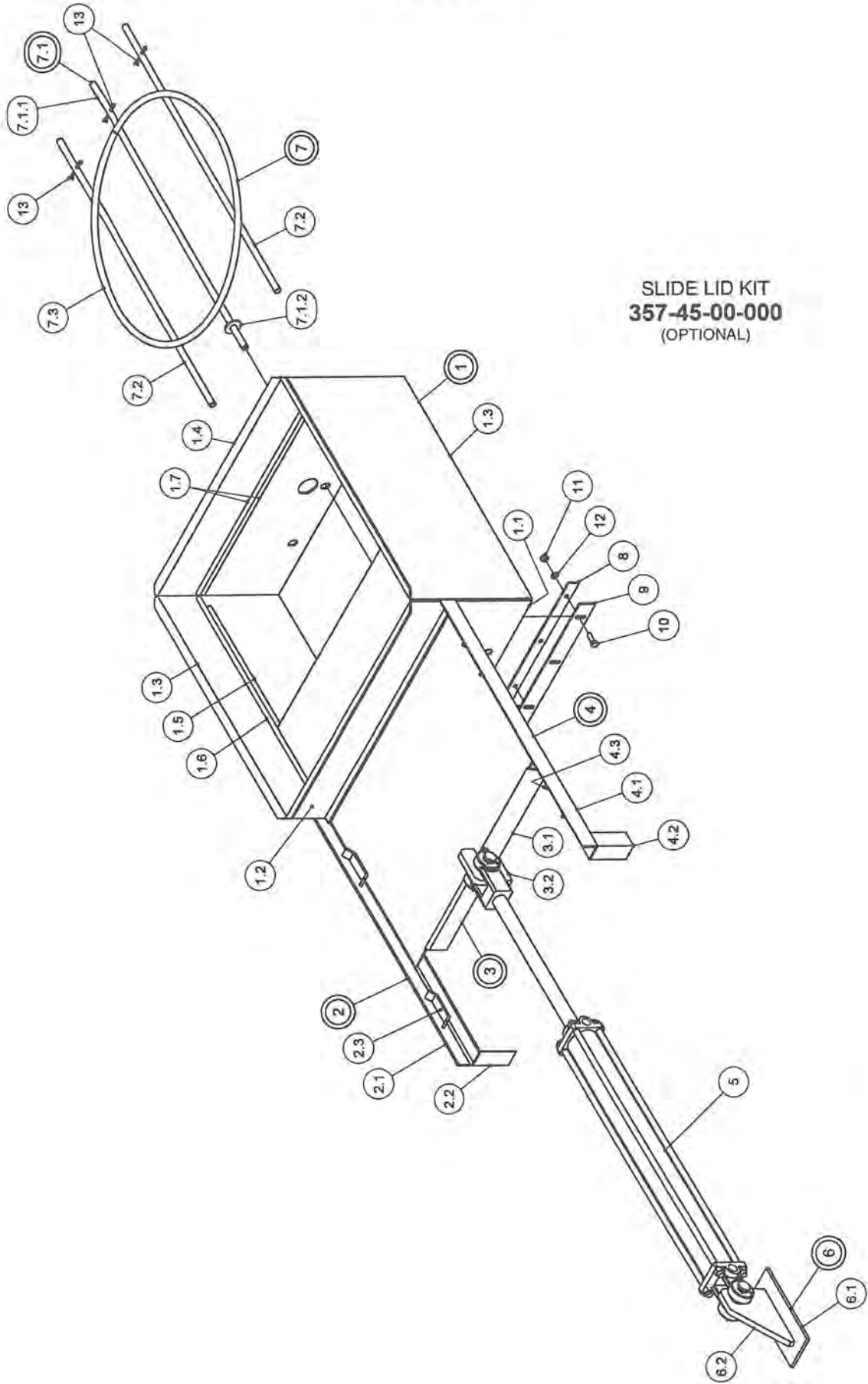
**LADDER KIT  
364-95-00-000**



### PARTS LIST

ITEM	PART NUMBER	DESCRIPTION	QTY
1	364-95-00-326	LADDER LUG	2
2	364-95-00-325	LADDER SIDE PC	2
3	364-95-00-324	LADDER RUNG	6
4	364-00-00-414	TANK LUG	2
5	364-95-00-327	UPPER TANK LUG	2
6	R07619	3/8 x 1 HEX BOLT	4
7	R07794	3/8 FLANGE NUT	4
8	384-00-00-216	LADDER BRKT	1

# SLIDE LID KIT

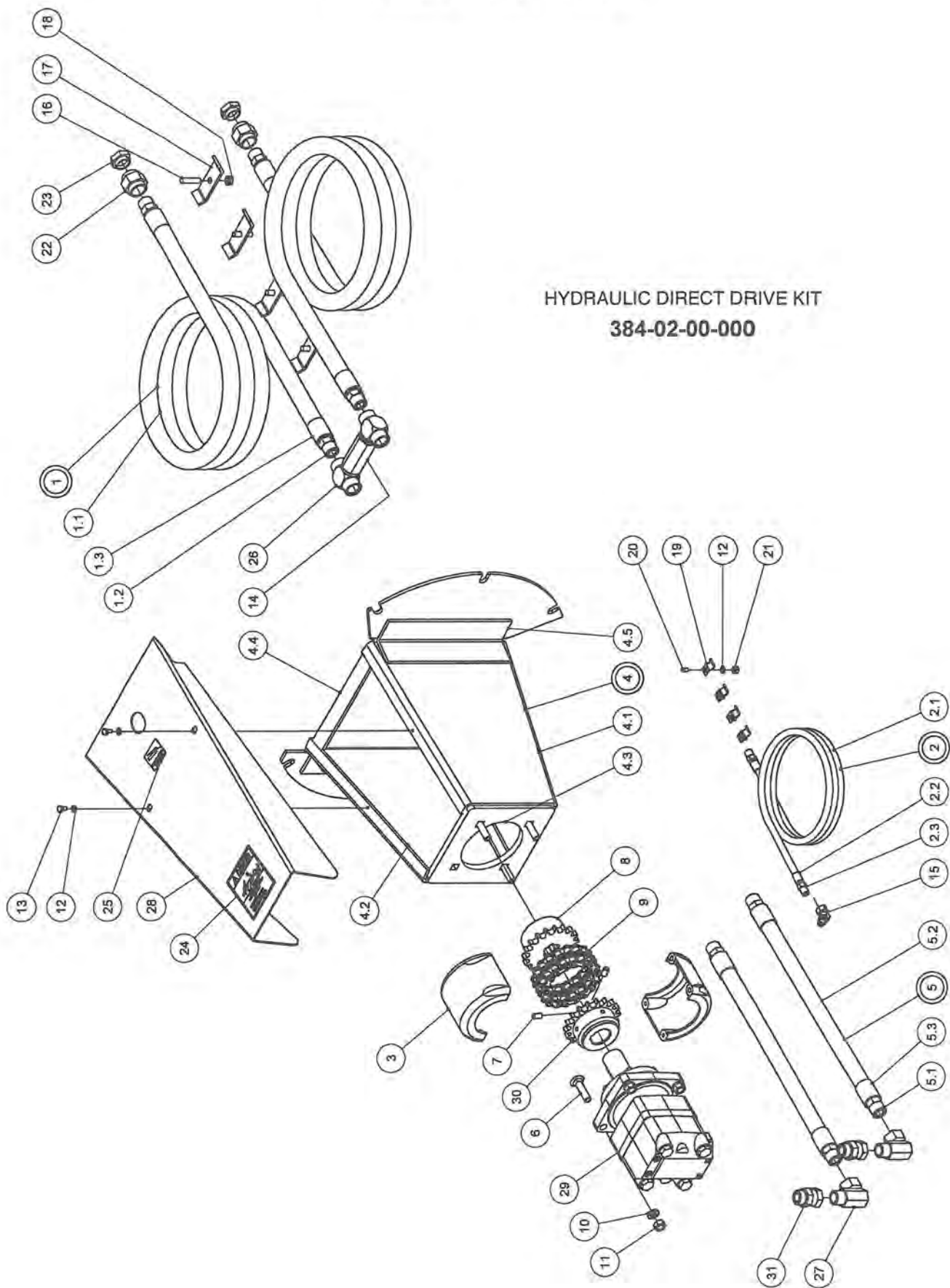


SLIDE LID KIT  
**357-45-00-000**  
(OPTIONAL)

## SLIDE LID KIT CON'T

PARTS LIST			
ITEM	PART NUMBER	DESCRIPTION	QTY
1	357-45-01-000	MANHOLE ASSY	1
1.1	357-45-01-204	FRONT LOWER PANEL	1
1.2	357-45-01-205	FRONT UPPER PANEL	1
1.3	357-45-01-202	SIDES	2
1.4	357-45-01-203	REAR PANEL	1
1.5	357-45-01-257	SIDE LOWER GUIDE BARS	2
1.6	357-45-01-206	SIDE UPPER GUIDE BARS	2
1.7	357-45-01-207	REAR GUIDE BAR	2
2	357-45-02-000	RH SLIDE RAIL ASSY	1
2.1	357-45-02-209	SLIDE RAIL	1
2.2	357-45-02-210	SLIDE RAIL LEG	1
2.3	357-45-01-208	LOWER GUIDE	2
(3)	357-45-05-000	LID ASSY - AIR	*
3	357-45-03-000	LID ASSY - HYDRAULIC	1
3.1	357-45-03-213	SLIDE LID	1
3.2	357-45-03-214	SLIDE LID LUG	1
(3.2)	357-45-05-242	SLIDE LID LUG - AIR	*
4	357-45-04-000	LH SLIDE RAIL ASSY	1
4.1	357-45-02-209	SLIDE RAIL	1
4.2	357-45-02-210	SLIDE RAIL LEG	1
4.3	357-45-01-208	LOWER GUIDE	2
5	R22162	2 x 24 HYDRAULIC CYLINDER	1
(5)		AIR CYLINDER	*
(6)	357-45-06-000	TANK LUG ASSY FOR AIR CYLINDER	*
6	357-45-07-000	TANK LUG ASSY FOR HYD CYLINDER	1
6.1	368-54-02-425	CYLINDER BRKT BASE PLATE	1
6.2	357-45-07-254	TANK LUG FOR HYD CYLINDER	1
(6.2)	357-45-06-243	TANK LUG FOR AIR CYLINDER	*
7	357-45-09-000	SAFETY GRATE ASSY	1
7.1	357-45-08-000	SAFETY BAR ASSY	1
7.1.1	357-45-08-274	SAFETY BAR	1
7.1.2	R08320	1/2 S.S. FLAT WASHER	1
7.2	357-45-08-274	SAFETY BAR	2
7.3	357-45-09-314	SAFETY RING	1
8	357-45-00-211	STRAP	1
9	357-45-00-212	RUBBER	1
10	R07611	5/16 x 1" HEX BOLT	5
11	R07782	5/16 HEX NUT	5
12	R07802	5/16 LOCK WASHER	5
13	R08207	5/32 x 1 1/2 S.S. COTTER PIN	3

# HYDRAULIC DIRECT DRIVE KIT

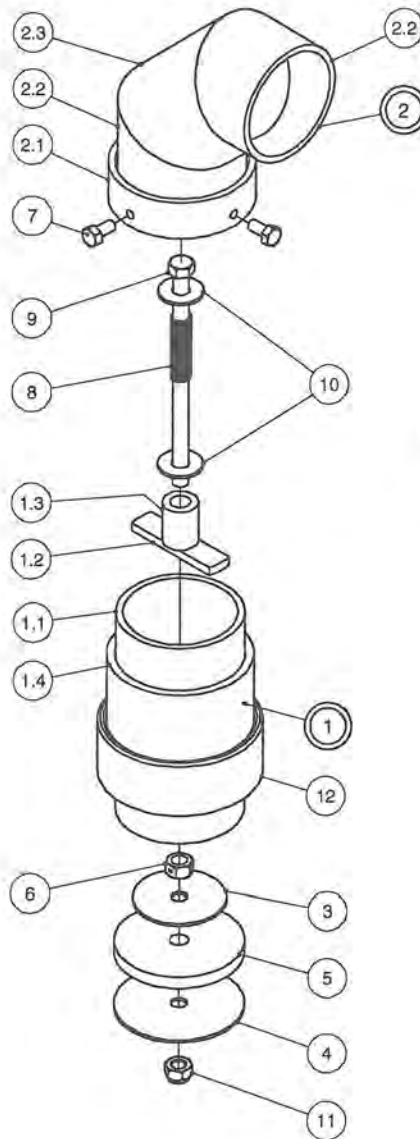


HYDRAULIC DIRECT DRIVE KIT  
**384-02-00-000**

## HYDRAULIC DIRECT DRIVE KIT CON'T

PARTS LIST			
ITEM	PART NUMBER	DESCRIPTION	QTY
1	384-02-06-000	HYDRAULIC HOSE ASSY 3/4"	2
1.1	384-02-06-196	3/4" HYDRAULIC HOSE	1
1.2	R21241	3/4" MALE SOLID STEM	2
1.3	R20824	3/4" FERRULE	2
2	384-02-07-000	HYDRAULIC HOSE ASSY - CASE DRAIN	1
2.1	384-02-04-197	HYDRAULIC HOSE - CASE DRAIN	1
2.2	R21231	STEEL FERRULE - 1/4"	2
2.3	R20802	1/4 - 18 NPT SOLID MALE STEM	2
3	R20617	60 - 18 COUPLING COVER	1
4	384-18-01-000	DIRECT HYD DRIVE MOUNT PLATE ASSY	1
4.1	384-18-01-273	LH EXTENSION PLATE	1
4.2	384-18-01-274	RH LONG EXTENSION PLATE	1
4.3	384-11-01-231	MOTOR MOUNT PLATE-6000 SERIES	1
4.4	384-02-01-012	REINFORCING STRAP	2
4.5	384-18-01-275	REINFORCING ANGLE	2
5	351-03-00-000	3/4" HYDRAULIC HOSE ASSY	2
5.1	R21241	3/4" MALE SOLID STEM	2
5.2	351-03-00-004	3/4" HYDRAULIC HOSE	1
5.3	R20824	3/4" FERRULE	2
6	R07744	1/2" x 2 CARRIAGE BOLT	4
7	R07911	3/8 x 3/4" SET SCREW	2
8	384-02-00-072	SPROCKET FOR 6 TOOTH SPLINE	1
9	R20883	60-18 COUPLING CHAIN	1
10	R07805	1/2 LOCK WASHER	4
11	R07785	1/2 HEX NUT	4
12	R07801	1/4 LOCK WASHER	6
13	R07698	1/4 x 1/2 HEX BOLT	2
14	R21202	3/4" NPT IN-LINE CHECK VALVE	1
15	R21308	45 DEG x 7/16 SAE x 1/4 NPT ADAPTOR	1
16	R08302	3/8-16 UNC x 1 5/8" WELD STUD	4
17	351-00-00-009	HYD. HOSE FASTENER	4
18	R07794	3/8 FLANGE NUT	4
19	R21104	HYD. HOSE CLIPS	4
20	R08301	1/4 x 20 UNC x 1/2" WELD STUD	4
21	R07781	1/4 HEX NUT	4
22	R21401	3/4 HEX COUPLING 24SJ-12	2
23	R21406	3/4 NPT PLASTIC PLUG	2
24	R21521	"ROTATING DRIVE LINE" DECAL	1
25	R09787	GREASE SYMBOL DECAL	1
26	R21393	3/4" HYDRAULIC TEE	2
27	R21332	3/4M x 3/4F NPT 90 SWIVEL ADAPTOR	2
28	384-18-00-276	GUARD	1
29	R22546	M+S HYD MOTOR - MLHT 160	1
30	384-00-00-277	60B - 18 SPR.-1 1/2" STR SHAFT	1
31	R21280	1 1/16" SAE M X 3/4" NPT ADAPTOR	2

## TANK VENT KIT



**TANK VENT KIT**  
**357-51-00-000**  
(OPTIONAL)

PARTS LIST				PARTS LIST			
ITEM	PART NUMBER	DESCRIPTION	QTY	ITEM	PART NUMBER	DESCRIPTION	QTY
1	357-51-01-000	VENT TUBE ASSY	1	4	357-51-00-258	LOWER STAINLESS STEEL WASHER	1
1.1	357-51-01-246	VENT TUBE	1	5	357-51-00-334	RUBBER PLUG	1
1.2	357-51-01-247	VENT STRAP	1	6	R07891	7/16 2-WAY LOCK NUT	1
1.3	357-51-01-248	INNER SLIDE TUBE	1	7	R07690	5/16 x 5/8 HEX BOLT	2
1.4	357-51-01-335	OUTER NIPPLE	1	8	357-51-00-249	SPRING	1
2	357-51-02-000	CAP ASSY	1	9	R07689	7/16 x 7 HEX BOLT	1
2.1	357-51-02-251	SLEEVE	1	10	R07833	7/16" SAE FLAT WASHER	2
2.2	357-51-02-252	ELBOW SECTION	2	11	R08178	7/16 NYLOCK HEX NUT	1
2.3	357-51-02-253	ELBOW MIDDLE SECTION	1	12	R02969	3 1/2" HALF COUPLER	1
3	357-51-00-250	STAINLESS STEEL WASHER	1				