

Date Purchased _____ Machine Serial No. _____

Size of Spreader _____ Options _____

The key number system in this parts book is arranged as follows:

- ⊙ - Key numbers with two circles denotes main assemblies.
- - Key numbers with one circle are individual parts

Please order parts by number



ELITE TRUCKMOUNT TANK

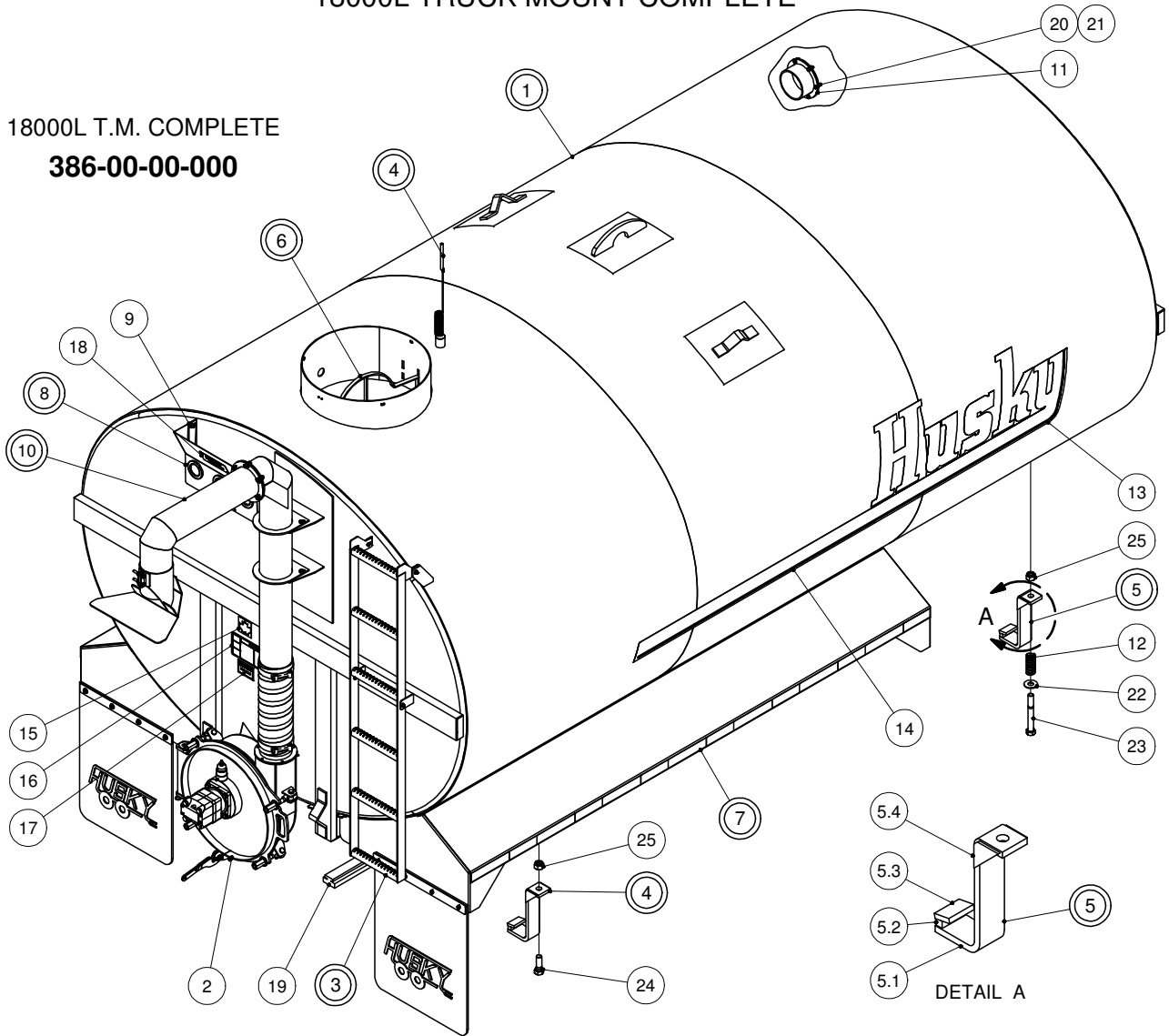
18000L TRUCKMOUNT TANK – 386-00-00-000

OPERATING INSTRUCTIONS:

1. Do not operate machine until you fully understand the safe operating practices.
2. Make sure all moving parts are shielded to prevent coming in contact with clothing.
3. Wash tank after each use. This will increase the life of the tank by many years.
4. After spreading in freezing conditions, make sure impeller housing is fully drained.
5. Much of the fertilizer value of manure is lost when exposed to air. Getting the manure covered quickly is a very important part of spreading manure.
6. **EXTREME DANGER** – Never enter a dirty manure spreader or storage tank – one breath of hydrogen sulphide gas is enough to kill. Have a ladder in your pit, so that if by accident you should fall in, you can get out.

18000L TRUCK MOUNT COMPLETE

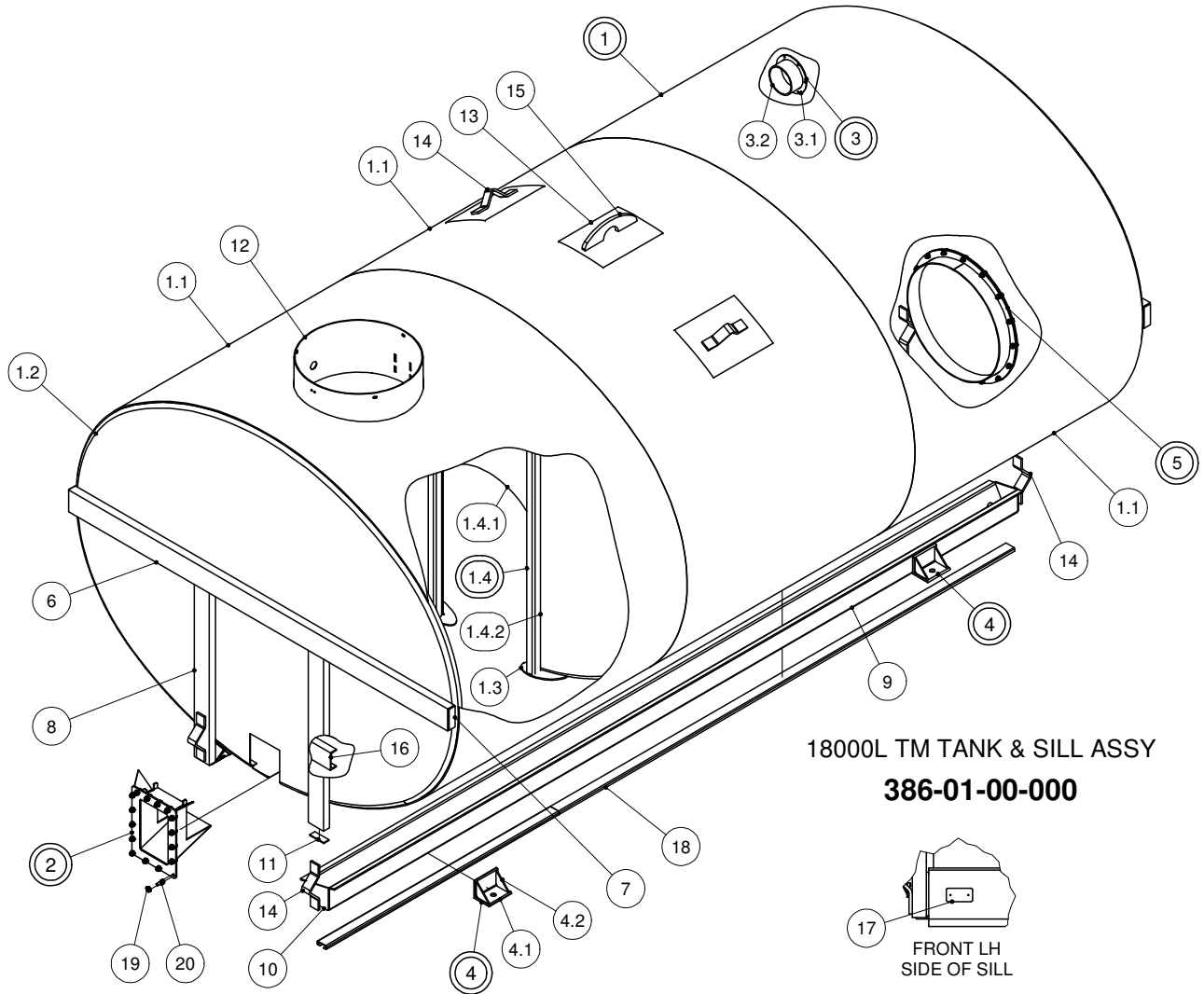
18000L T.M. COMPLETE
386-00-00-000



| PARTS LIST | | | | PARTS LIST | | | |
|------------|---------------|----------------------------------|-----|------------|-------------|--------------------------------|-----|
| ITEM | PART NUMBER | DESCRIPTION | QTY | ITEM | PART NUMBER | DESCRIPTION | QTY |
| 1 | 386-01-00-000 | 18000L TANK, SILL, & FUNNEL ASSY | 1 | 12 | R08034 | HP 88 1 x 4 SPRING | 2 |
| 2 | 384-52-00-000 | HYD FAN & HOUSING | 1 | 13 | R09510 | "HUSKY" DECAL | 2 |
| | | COMPLETE-TAPERED SHAFT-26 GPM | | 14 | R09511 | ACCENT STRIP | 2 |
| 3 | 364-95-00-000 | LADDER ASSY | 1 | 15 | R09509 | "MADE IN CANADA" DECAL - LARGE | 1 |
| 4 | 340-62-00-000 | INDICATOR KIT | 1 | 16 | R10334 | TOXIC GAS PICTORIAL DECAL | 1 |
| 5 | 316-24-00-000 | HOLD DOWN ASSY | 4 | 17 | R09512 | CAPACITY DECAL | 1 |
| 5.1 | 316-24-00-044 | BRKT MAIN PC | 1 | 18 | R09502 | "HUSKY" DECAL | 1 |
| 5.2 | 316-24-00-045 | SPACER BAR | 1 | 19 | R10483 | RUBBER T-STRIP | 4 |
| 5.3 | 316-24-00-046 | HOLD DOWN RETURN | 1 | 20 | R07619 | 3/8-16 UNC x 1 HEX BOLT GR.5 | 6 |
| 5.4 | 316-24-00-047 | GUSSET | 2 | 21 | R07794 | 3/8-16 UNC FLANGE NUT - ZINC | 6 |
| 6 | 357-63-00-000 | SAFETY BAR ASSY | 1 | 22 | R07828 | 1 FLAT WASHER STD - ZINC | 2 |
| 7 | 386-02-00-000 | TAPER FENDER KIT (Optional) | 1 | 23 | R07669 | 1-8 UNC x 8 HEX BOLT GR.8 | 2 |
| 8 | 372-16-00-000 | CLEARANCE LITE BOX KIT | 1 | 24 | R07663 | 1-8 UNC x 3 HEX BOLT GR.8 | 2 |
| 9 | 372-00-00-046 | STICKER PLATE BRKT | 2 | 25 | R08246 | 1-8 UNC NYLOCK NUT - ZINC | 4 |
| 10 | 386-15-00-000 | 6" REAR DISCHARGE KIT | 1 | 26 | R09071 | SERIAL NUMBER PLATE | 1 |
| 11 | 330-00-00-559 | ACCESS TUBE COVER PLATE | 1 | 27 | R08152 | 6 x 1/4 PAN HD SOCKET SCREW | 2 |

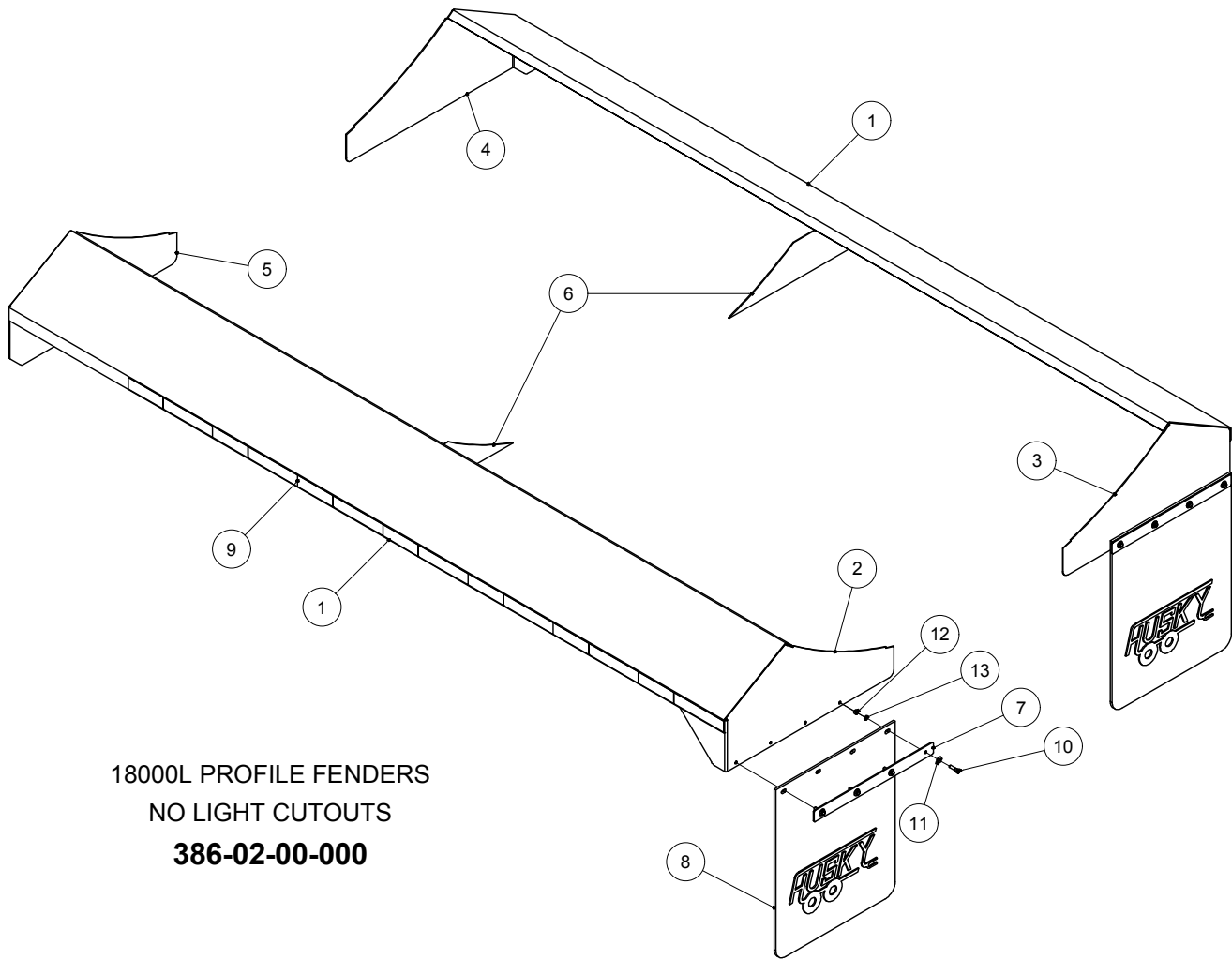
NOT SHOWN IN DWG - LOCATED AT FRONT LH SIDE OF SILL

18000L TM TANK ASSY



| PARTS LIST | | | | PARTS LIST | | | |
|------------|---------------|-------------------------------|-----|------------|---------------|---------------------------------|-----|
| ITEM | PART NUMBER | DESCRIPTION | QTY | ITEM | PART NUMBER | DESCRIPTION | QTY |
| 1 | 340-01-01-000 | 18000 L TANK ASSY | 1 | 6 | 340-01-06-312 | TANK END STIFFENER | 2 |
| 1.1 | 340-01-01-301 | TANK SHELL | 3 | 7 | 340-01-06-464 | TANK STIFFENER CAP | 4 |
| 1.2 | 340-01-01-300 | FLANGED TANK END | 2 | 8 | 386-01-00-001 | VERTICAL REINFORCING CHANNEL | 4 |
| 1.3 | 340-01-01-559 | OVAL REINFORCING PLATE | 4 | 9 | 340-00-00-515 | 18000 L TM SILL | 2 |
| 1.4 | 340-01-08-000 | 18000L BAFFLE ASSY | 2 | 10 | 340-00-00-516 | SILL CAP | 4 |
| 1.4.1 | 340-01-01-302 | FLANGED TANK BAFFLE | 1 | 11 | 330-66-00-258 | STIFFENER END CAP | 4 |
| 1.4.2 | 340-01-08-561 | 18000L BAFFLE SUPPORT TUBE | 2 | 12 | 364-02-00-006 | 24" MANHOLE | 1 |
| 2 | 364-82-00-000 | FLANGED TANK OUTLET | 1 | 13 | 340-01-00-546 | LIFT HOOK REINFORCING PLATE | 3 |
| 3 | 330-20-03-000 | ACCESS TUBE ASSY | 1 | 14 | 300-01-00-012 | TANK LIFT HOOK | 6 |
| 3.1 | 330-20-03-560 | ACCESS TUBE FLANGE | 1 | 15 | 340-01-00-555 | CENTER LIFT HOOK | 1 |
| 3.2 | 330-20-03-556 | ACCESS TUBE | 1 | 16 | 384-01-00-246 | INSIDE CROSS SUPPORT CHANNEL | 1 |
| 4 | 316-22-00-000 | HOLD DOWN BRKT ASSY | 4 | 17 | 340-01-00-498 | SERIAL NO. BACK PLATE | 1 |
| 4.1 | 316-22-00-012 | HOLD DOWN ANGLE BRKTS | 1 | 18 | R10482 | RUBBER MOUNTING SILL CHANNEL | 6 |
| 4.2 | 316-22-00-035 | HOLD DOWN ANGLE GUSSET | 2 | 19 | R07795 | 1/2-13 UNC FLANGE NUT - ZINC | 16 |
| 5 | 384-40-00-000 | ACCESS HOLE & COVER PLATE KIT | 1 | 20 | R07674 | 1/2-13 UNC x 1.25 HEX BOLT GR.5 | 16 |

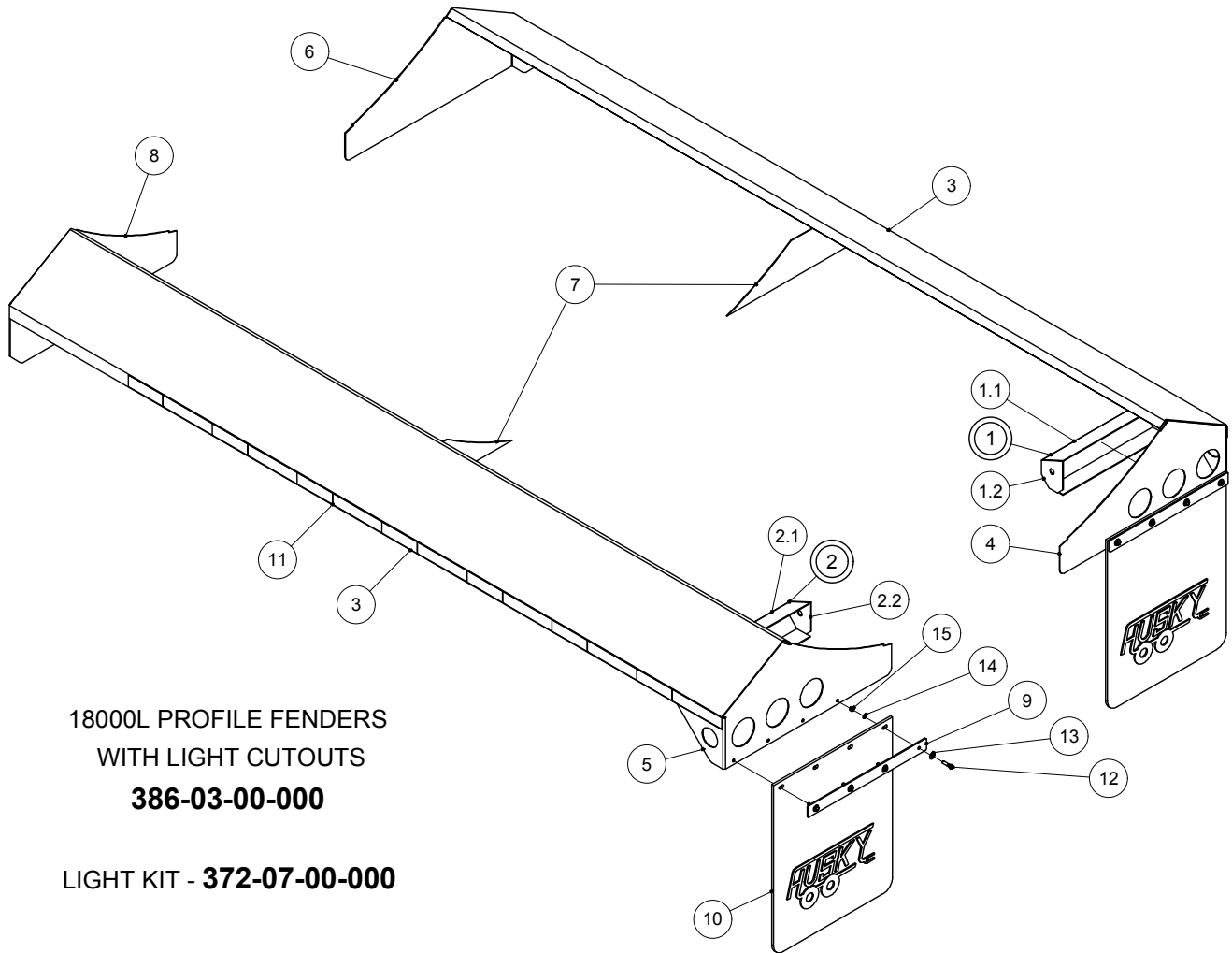
**18000L PROFILE FENDERS
NO LIGHTS - 102" O/A**



**18000L PROFILE FENDERS
NO LIGHT CUTOUTS
386-02-00-000**

| PARTS LIST | | | |
|------------|---------------|---------------------------------------|-----|
| ITEM | PART NUMBER | DESCRIPTION | QTY |
| 1 | 386-02-00-015 | FENDER 18000L PROFILE - 102" O/A WIDE | 2 |
| 2 | 386-02-00-014 | LH REAR FENDER END w/ NO LIGHTS | 1 |
| 3 | 386-02-00-013 | RH REAR FENDER END w/ NO LIGHTS | 1 |
| 4 | 386-02-00-018 | RH FRONT FENDER END | 1 |
| 5 | 386-02-00-019 | LH RONT FENDER END | 1 |
| 6 | 386-02-00-020 | FENDER GUSSET - 18000L 102" O/A WIDTH | 2 |
| 7 | 332-27-00-083 | MUDFLAP CLAMP STRAP | 2 |
| 8 | R09528 | HUSKY MUDFLAP | 2 |
| 9 | R10361 | REFLECTOR TAPE - RED/SILVER | 2 |
| 10 | R07620 | 3/8-16 UNC x 1.5 HEX BOLT GR.5 | 8 |
| 11 | R07823 | 3/8 FLAT WASHER STD - ZINC | 8 |
| 12 | R07783 | 3/8-16 UNC HEX NUT - ZINC | 8 |
| 13 | R07803 | 3/8 LOCK WASHER - ZINC | 8 |

**18000L PROFILE FENDERS
WITH LIGHTS - 102" O/A**

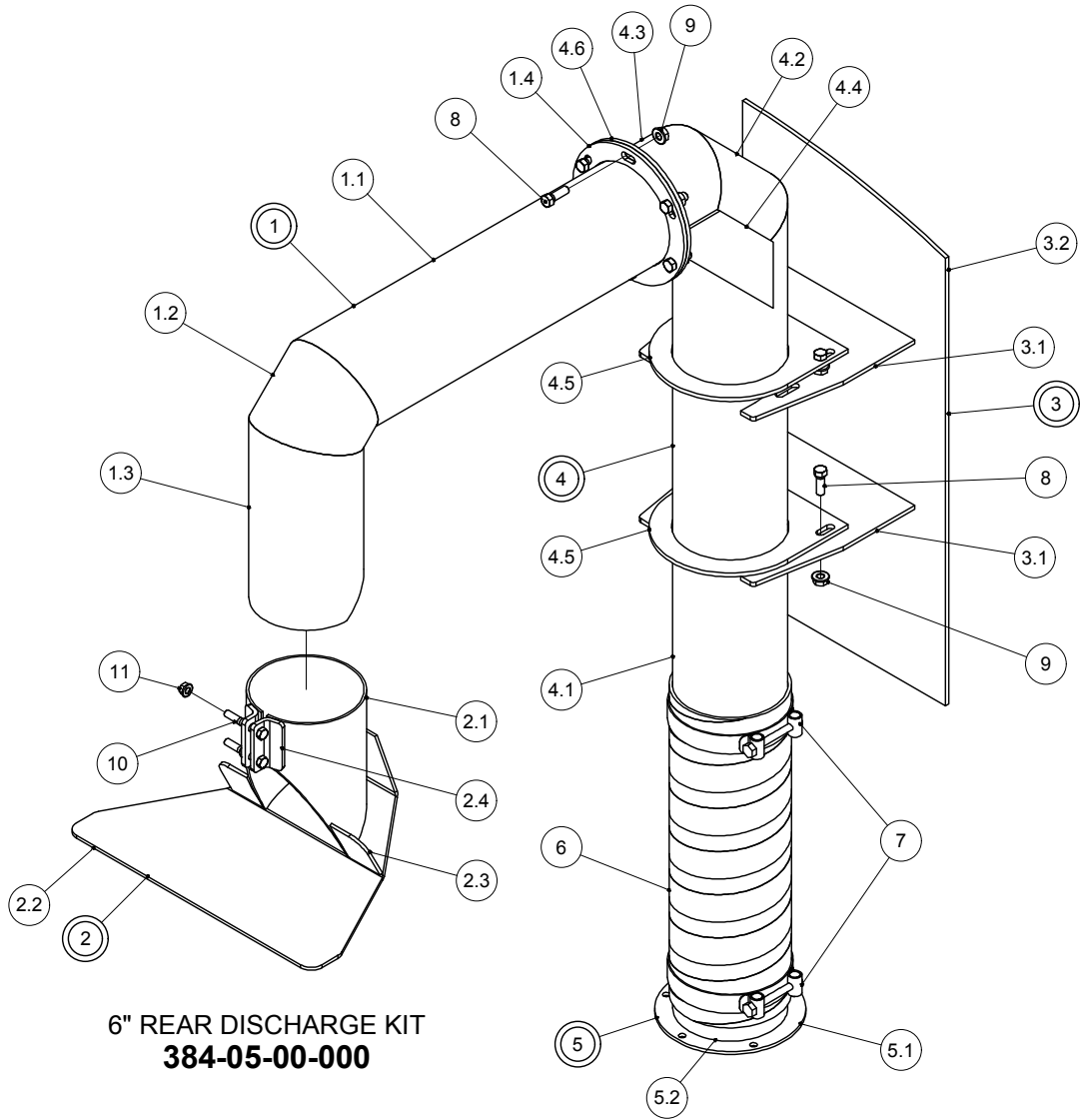


**18000L PROFILE FENDERS
WITH LIGHT CUTOUTS
386-03-00-000**

LIGHT KIT - 372-07-00-000

| PARTS LIST | | | | PARTS LIST | | | |
|------------|---------------|------------------------------------------|-----|------------|---------------|---------------------------------|-----|
| ITEM | PART NUMBER | DESCRIPTION | QTY | ITEM | PART NUMBER | DESCRIPTION | QTY |
| 1 | 332-33-01-000 | RH INNER LIGHT COVER ASSY | 1 | 7 | 386-02-00-020 | FENDER GUSSET - 18000L 102" O/A | 2 |
| 1.1 | 332-33-01-079 | INNER LIGHT COVER | 1 | | | WIDTH | |
| 1.2 | 332-33-01-080 | INNER LIGHT COVER END CAP | 1 | 8 | 386-02-00-019 | LH FRONT FENDER END | 1 |
| 2 | 332-33-02-000 | LH INNER LIGHT COVER ASSY | 1 | 9 | 332-27-00-083 | MUDFLAP CLAMP STRAP | 2 |
| 2.1 | 332-33-01-079 | INNER LIGHT COVER | 1 | 10 | R09528 | HUSKY MUDFLAP | 2 |
| 2.2 | 332-33-01-080 | INNER LIGHT COVER END CAP | 1 | 11 | R10361 | REFLECTOR TAPE - RED/SILVER | 2 |
| 3 | 386-02-00-015 | FENDER 18000L PROFILE - 102" O/A WIDE | 2 | 12 | R07620 | 3/8-16 UNC x 1.5 HEX BOLT GR.5 | 8 |
| | | | | 13 | R07823 | 3/8 FLAT WASHER STD - ZINC | 8 |
| | | | | 14 | R07803 | 3/8 LOCK WASHER - ZINC | 8 |
| 4 | 386-03-00-016 | RH REAR FENDER END w/ LIGHTS | 1 | 15 | R07783 | 3/8-16 UNC HEX NUT - ZINC | 8 |
| 5 | 386-03-00-017 | LH REAR FENDER END w/ LIGHTS | 1 | | | | |
| 6 | 386-02-00-018 | RH FRONT FENDER END | 1 | | | | |

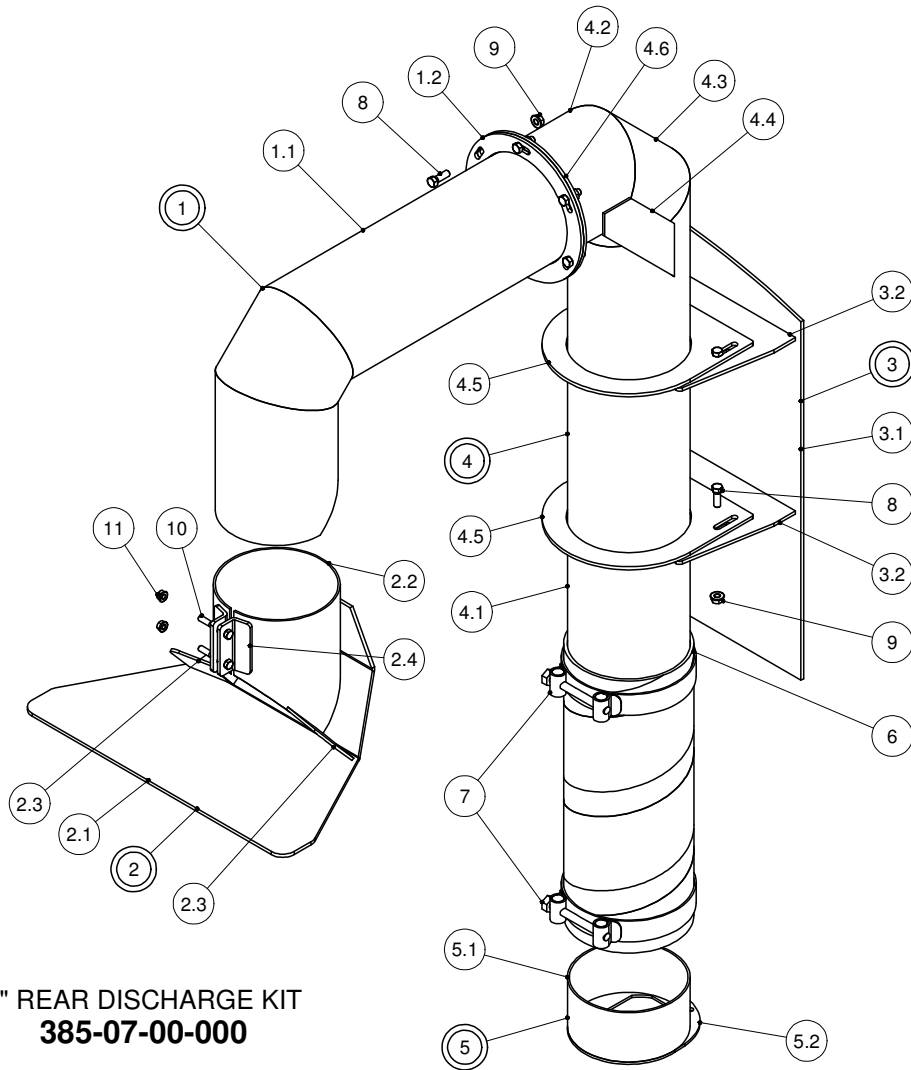
6in REAR DISCHARGE KIT



**6" REAR DISCHARGE KIT
384-05-00-000**

| PARTS LIST | | | | PARTS LIST | | | |
|------------|---------------|----------------------------------|-----|------------|---------------|----------------------------------|-----|
| ITEM | PART NUMBER | DESCRIPTION | QTY | ITEM | PART NUMBER | DESCRIPTION | QTY |
| 1 | 364-25-00-000 | DISCHARGE PIPE END SECTION ASSY | 1 | 4.2 | 384-05-02-028 | PIPE CORNER PC | 1 |
| 1.1 | 364-25-00-088 | DISCHARGE PIPE FLANGE PC | 1 | 4.3 | 384-05-02-029 | PIPE END PC | 1 |
| 1.2 | 364-19-00-082 | DISCHARGE PIPE CORNER PC | 1 | 4.4 | 384-05-02-097 | GUSSET | 2 |
| 1.3 | 364-25-00-067 | DISCHARGE PIPE END PC | 1 | 4.5 | 384-05-02-069 | TUBE ATTACHMENT BRKT | 2 |
| 1.4 | 364-19-00-087 | DISCHARGE PIPE FLANGE | 1 | 4.6 | 364-19-00-087 | DISCHARGE PIPE FLANGE | 1 |
| 2 | 364-68-00-000 | 6" SPLASH PLATE ASSY | 1 | 5 | 364-31-00-000 | HOSE TUBE ASSY - 6" | 1 |
| 2.1 | 364-68-00-215 | CLAMPING TUBE | 1 | 5.1 | 364-01-03-376 | DISCHARGE RING | 1 |
| 2.2 | 364-21-00-069 | SPLASH PLATE | 1 | 5.2 | 364-01-03-063 | DISCHARGE TUBE | 1 |
| 2.3 | 364-21-00-224 | SPLASH PLATE WING | 2 | 6 | 364-00-00-066 | HOSE SECTION | 1 |
| 2.4 | 364-21-00-071 | CLAMPING TUBE BRKT | 2 | 7 | R02482 | 6" HOSE CLAMP | 2 |
| 3 | 384-05-03-000 | DISCHARGE SUPPORT ASSY - 6" PIPE | 1 | 8 | R07671 | 7/16-14 UNC x 1.25 HEX BOLT GR.5 | 10 |
| 3.1 | 384-05-03-070 | TANK BRKT | 2 | 9 | R07879 | 7/16-14 UNC FLANGE NUT - ZINC | 10 |
| 3.2 | 385-05-04-144 | PIPE HOLDER BACK PLATE | 1 | 10 | R07622 | 3/8-16 UNC x 2.5 HEX BOLT GR.5 | 2 |
| 4 | 384-06-02-000 | VERTICAL DISCHARGE PIPE ASSY | 1 | 11 | R07794 | 3/8-16 UNC FLANGE NUT - ZINC | 2 |
| 4.1 | 384-06-02-037 | VERTICAL DISCHARGE TUBE | 1 | | | | |

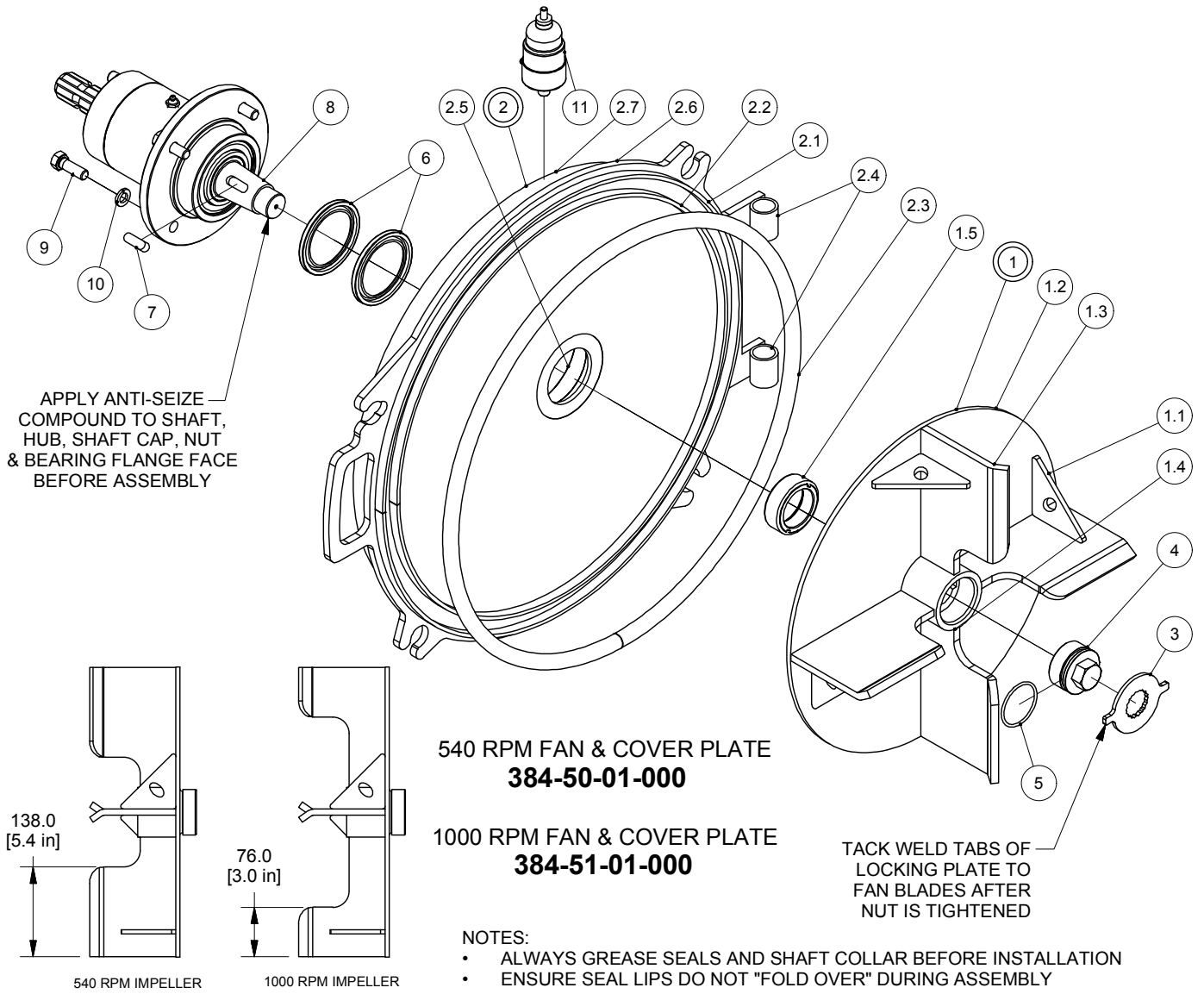
8in REAR DISCHARGE KIT



**8" REAR DISCHARGE KIT
385-07-00-000**

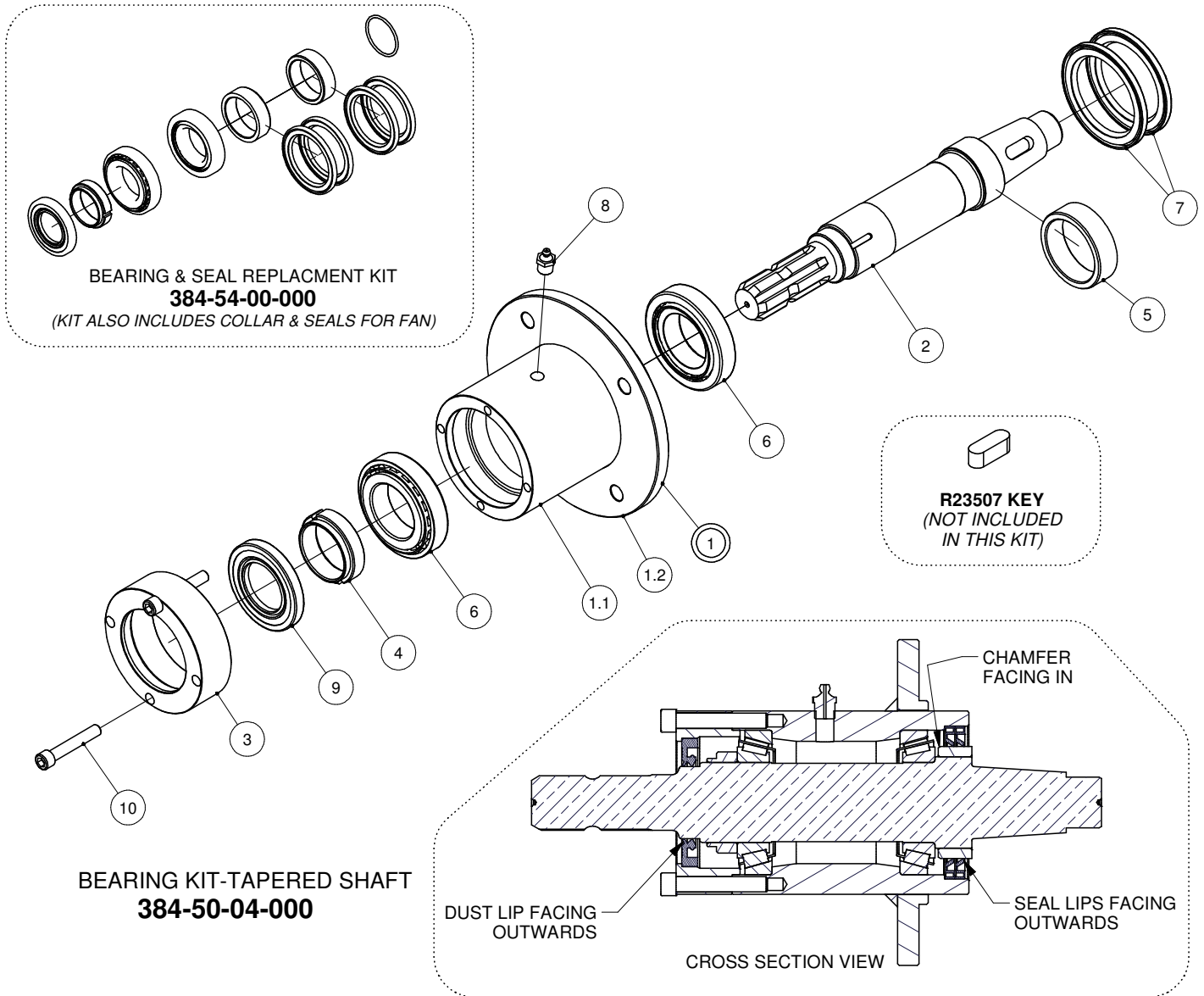
| PARTS LIST | | | | PARTS LIST | | | |
|------------|---------------|-------------------------------------------|-----|------------|---------------|----------------------------------|-----|
| ITEM | PART NUMBER | DESCRIPTION | QTY | ITEM | PART NUMBER | DESCRIPTION | QTY |
| 1 | 358-92-03-000 | 8" EXTENSION PIPE ASSY | 1 | 4.2 | 385-05-09-146 | ELBOW END PC | 1 |
| 1.1 | 358-92-03-307 | 8" EXTENSION PIPE | 1 | 4.3 | 385-05-09-147 | ELBOW MIDDLE PC | 1 |
| 1.2 | 358-92-02-306 | 8" DISCHARGE FLANGE | 1 | 4.4 | 384-05-02-097 | GUSSET | 2 |
| 2 | 358-92-04-000 | 8" SPLASH PLATE ASSY | 1 | 4.5 | 357-47-01-227 | 8" PIPE MOUNT BRKT | 2 |
| 2.1 | 358-92-04-308 | 8" SPLASH PLATE | 1 | 4.6 | 358-92-02-306 | 8" DISCHARGE FLANGE | 1 |
| 2.2 | 358-92-04-309 | 8" SPLASH PLATE TUBE | 1 | 5 | 358-92-01-000 | 8" HOUSING RING & TUBE ASSY | 1 |
| 2.3 | 358-92-04-310 | WING FOR 8" SPLASH PLATE | 2 | 5.1 | 358-92-01-302 | 8" HOUSING OUTLET TUBE | 1 |
| 2.4 | 358-92-04-311 | CLAMPING TUBE BRKT | 2 | 5.2 | 358-92-01-301 | 8" HOUSING DISCHARGE RING | 1 |
| 3 | 385-05-04-000 | 8" VERTICAL DISCHARGE PIPE HOLDER ASSY | 1 | 6 | 358-92-00-329 | 8" DISCHARGE HOSE | 1 |
| 3.1 | 385-05-04-144 | PIPE HOLDER BACK PLATE | 1 | 7 | R02484 | 8" SUCTION HOSE CLAMP | 2 |
| 3.2 | 357-47-00-226 | 8" TANK MOUNT BRKT | 2 | 8 | R07671 | 7/16-14 UNC x 1.25 HEX BOLT GR.5 | 10 |
| 4 | 385-05-09-000 | 8" VERTICAL DISCHARGE PIPE ASSY | 1 | 9 | R07879 | 7/16-14 UNC FLANGE NUT - ZINC | 10 |
| 4.1 | 385-05-09-145 | 8" VERTICAL DISCHARGE TUBE | 1 | 10 | R07622 | 3/8-16 UNC x 2.5 HEX BOLT GR.5 | 2 |
| | | | | 11 | R07794 | 3/8-16 UNC FLANGE NUT - ZINC | 2 |

COVER PLATE-TAPERED SHAFT



| PARTS LIST | | | | PARTS LIST | | | |
|------------|---------------|------------------------------------|-----|------------|---------------|-------------------------------------------|-----|
| ITEM | PART NUMBER | DESCRIPTION | QTY | ITEM | PART NUMBER | DESCRIPTION | QTY |
| 1 | 384-50-02-000 | TAPERED HUB FAN ASSY - 540 RPM CHT | 1 | 2.5 | 384-50-03-642 | MOTOR & BEARING BOX MOUNT | 1 |
| | 384-51-02-000 | TAPERED HUB FAN ASSY-1000 RPM CHT | 1 | 2.6 | 384-50-03-641 | COVER PLATE-TAPERED SHAFT | 1 |
| 1.1 | 364-72-00-422 | FAN BLADE GUSSET | 4 | 2.7 | 384-27-02-534 | REIN. RING-1000 RPM COVER PLATE | 1 |
| 1.2 | 384-33-03-417 | FAN BACK PLATE | 1 | 3 | 384-50-01-647 | TAPERED HUB LOCKING PLATE | 1 |
| 1.3 | 384-33-03-419 | CHT 540 RPM FAN BLADE | 4 | 4 | 384-50-01-648 | TAPERED SHAFT CAP NUT | 1 |
| 1.4 | 384-50-02-639 | TAPERED IMPELLER HUB | 1 | 5 | R23444 | O-RING #226 - 2.25" OD x 2" ID | 1 |
| 1.5 | R23443 | HARDENED SEAL COLLAR - 2.75" OD | 1 | 6 | R23441 | GREASE SEAL HM21 - 2.750" x 3.751" x .25" | 2 |
| 2 | 384-50-03-000 | COVER PLATE ASSY - TAPERED SHAFT | 1 | 7 | R23507 | MACHINE KEY - 7/16" SQ x 1-1/4" | 1 |
| 2.1 | 384-20-03-295 | OUTER RING | 1 | 8 | 384-50-04-000 | BEARING KIT 1-3/8"-6T - TAPERED SHAFT | 1 |
| 2.2 | 384-20-03-296 | INNER RING | 1 | 9 | R07638 | 1/2-13 UNC x 1.5 HEX BOLT GR.5 | 4 |
| 2.3 | 384-20-00-301 | RUBBER SEAL | 1 | 10 | R07805 | 1/2 LOCK WASHER - ZINC | 4 |
| 2.4 | 384-20-03-570 | HATCH PIN SLEEVE | 2 | 11 | R10595 | SPRING PRESSURE AUTO GREASE CUP | 1 |

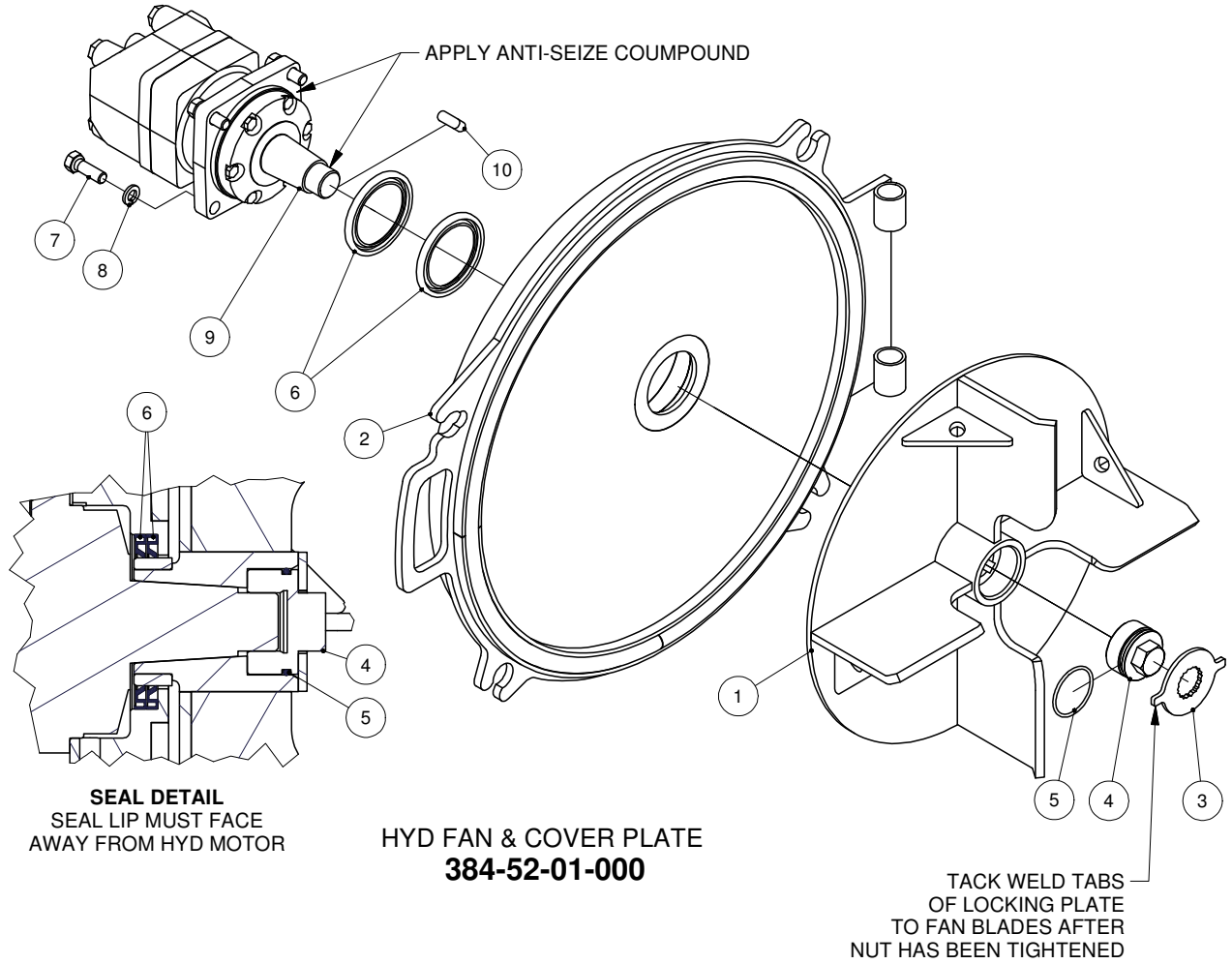
BEARING KIT-TAPERED SHAFT



| PARTS LIST | | | |
|------------|---------------|-------------------------------------------|-----|
| ITEM | PART NUMBER | DESCRIPTION | QTY |
| 1 | 384-50-05-000 | BEARING TUBE ASSY-TAPERED SHAFT | 1 |
| 1.1 | 384-50-05-643 | TAPERED SHAFT BEARING TUBE | 1 |
| 1.2 | 384-50-05-644 | BEARING TUBE FLANGE | 1 |
| 2 | 384-50-04-637 | TAPERED FAN SHAFT - 1-3/8"-6T | 1 |
| 3 | 384-50-04-645 | TAPERED SHAFT BEARING TUBE CAP | 1 |
| 4 | 384-50-04-646 | STAKE NUT - M50-1.5 | 1 |
| 5 | R23443 | HARDENED SEAL COLLAR - 2.75" OD | 1 |
| 6 | R23429 | TAPERED ROLLER BEARING - 50 x 90 x 21.75 | 2 |
| 7 | R23441 | GREASE SEAL HM21 - 2.750" x 3.751" x .25" | 2 |
| 8 | R08188 | 1/4" NPT STRAIGHT GREASE FTG | 1 |
| 9 | R23442 | SEAL D.L. - 45 x 80 x 10 HMSA10 RG | 1 |
| 10 | R08368 | 3/8-16 UNC x 2.25 SHCS - BLK | 2 |

HYD FAN & COVER PLATE-TAPERED SHAFT

M&S MLHT160
26.5 MAX GPM
2950 MAX PSI



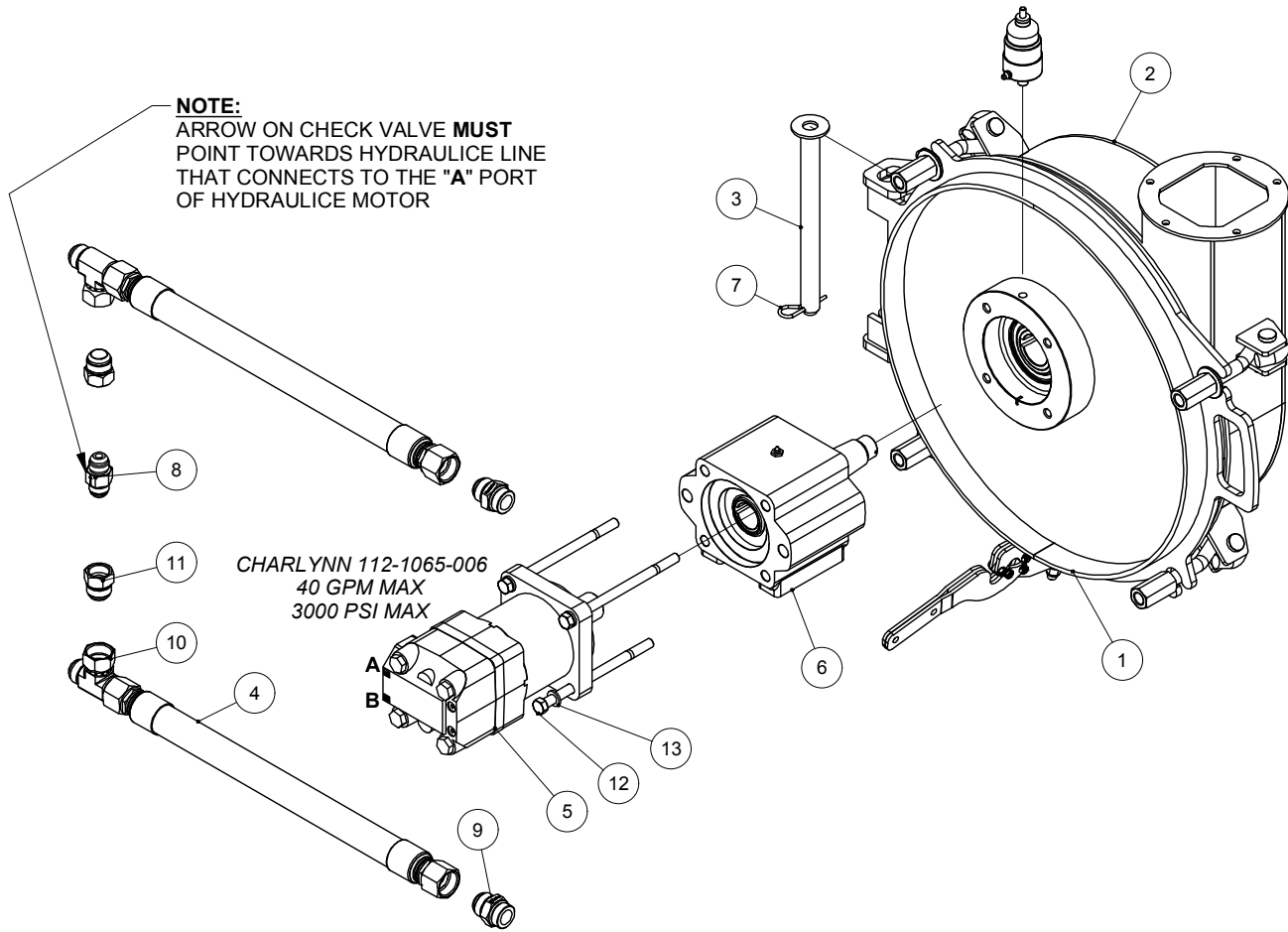
R23512
REPLACEMENT SEAL KIT FOR MLHT160T4A
HYD MOTOR w/ TAPERED SHAFT

NOTES:

- ALWAYS GREASE SEALS AND SHAFT COLLAR BEFORE INSTALLATION
- ENSURE SEAL LIPS DO NOT "FOLD OVER" DURING ASSEMBLY

| PARTS LIST | | | |
|------------|---------------|-------------------------------------------|-----|
| ITEM | PART NUMBER | DESCRIPTION | QTY |
| 1 | 384-50-02-000 | TAPERED HUB FAN ASSY - 540 RPM CHT | 1 |
| 2 | 384-50-03-000 | COVER PLATE ASSY - TAPERED SHAFT | 1 |
| 3 | 384-50-01-647 | TAPERED HUB LOCKING PLATE | 1 |
| 4 | 384-50-01-648 | TAPERED SHAFT CAP NUT | 1 |
| 5 | R23444 | O-RING #226 - 2.25" OD x 2" ID | 1 |
| 6 | R23441 | GREASE SEAL HM21 - 2.750" x 3.751" x .25" | 2 |
| 7 | R07638 | 1/2-13 UNC x 1.5 HEX BOLT GR.5 | 4 |
| 8 | R07805 | 1/2 LOCK WASHER - ZINC | 4 |
| 9 | R23506 | M+S HYD MOTOR-MLHT160 TAPERED SHAFT | 1 |
| 10 | R23507 | MACHINE KEY - 7/16" SQ x 1-1/4" | 1 |

HYD FAN & HOUSING COMPLETE W/ OVERHUNG ADAPTER 40 GPM

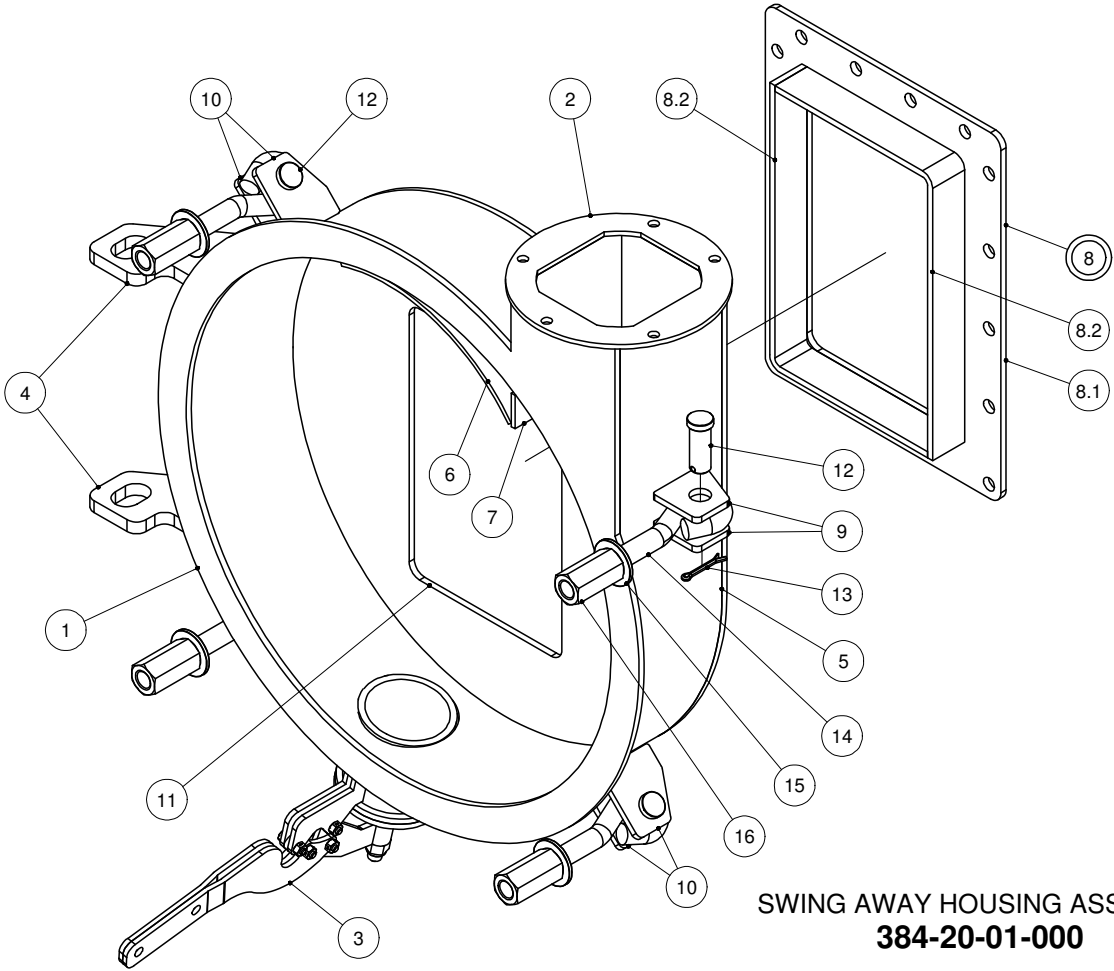


HYD FAN & HOUSING COMPLETE 384-60-00-000

R22611 -CHARLYNN REPLACEMENT REAR BODY SEAL KIT
R22612 -CHARLYNN REPLACEMENT SHAFT SEAL KIT

| PARTS LIST | | | | PARTS LIST | | | |
|------------|---------------|----------------------------------------|-----|------------|-------------|----------------------------------|-----|
| ITEM | PART NUMBER | DESCRIPTION | QTY | ITEM | PART NUMBER | DESCRIPTION | QTY |
| 1 | 384-60-01-000 | 540 FAN & COVER PLATE-TAPERED SHAFT | 1 | 7 | R07948 | 5/32 HAIR PIN | 1 |
| 2 | 384-20-01-000 | HOUSING ASSY-CHT(2007) | 1 | 8 | R23447 | 3/4" M. JIC CHECK VALVE | 1 |
| 3 | 376-02-04-000 | LID PIN ASSY | 1 | 9 | R23101 | ORB-16 x 1" JIC M. ADAPTER | 2 |
| 4 | 384-53-01-000 | 1" HYDRAULIC HOSE ASSY | 2 | 10 | R23123 | 1" M. x 1" M. x 1" SW F. JIC TEE | 2 |
| 5 | R22600 | 112-1065 CHARLYN MOTOR-6000 40 GPM | 1 | 11 | R23084 | 3/4" JIC F. x 1" JIC M. BUSHING | 2 |
| 6 | R22591 | OVERHUNG LOAD ADAPTER - L800221 | 1 | 12 | R07679 | 1/2-13 UNC x 8 HEX BOLT GR.5 | 4 |
| | | | | 13 | R07805 | 1/2 LOCK WASHER - ZINC | 4 |

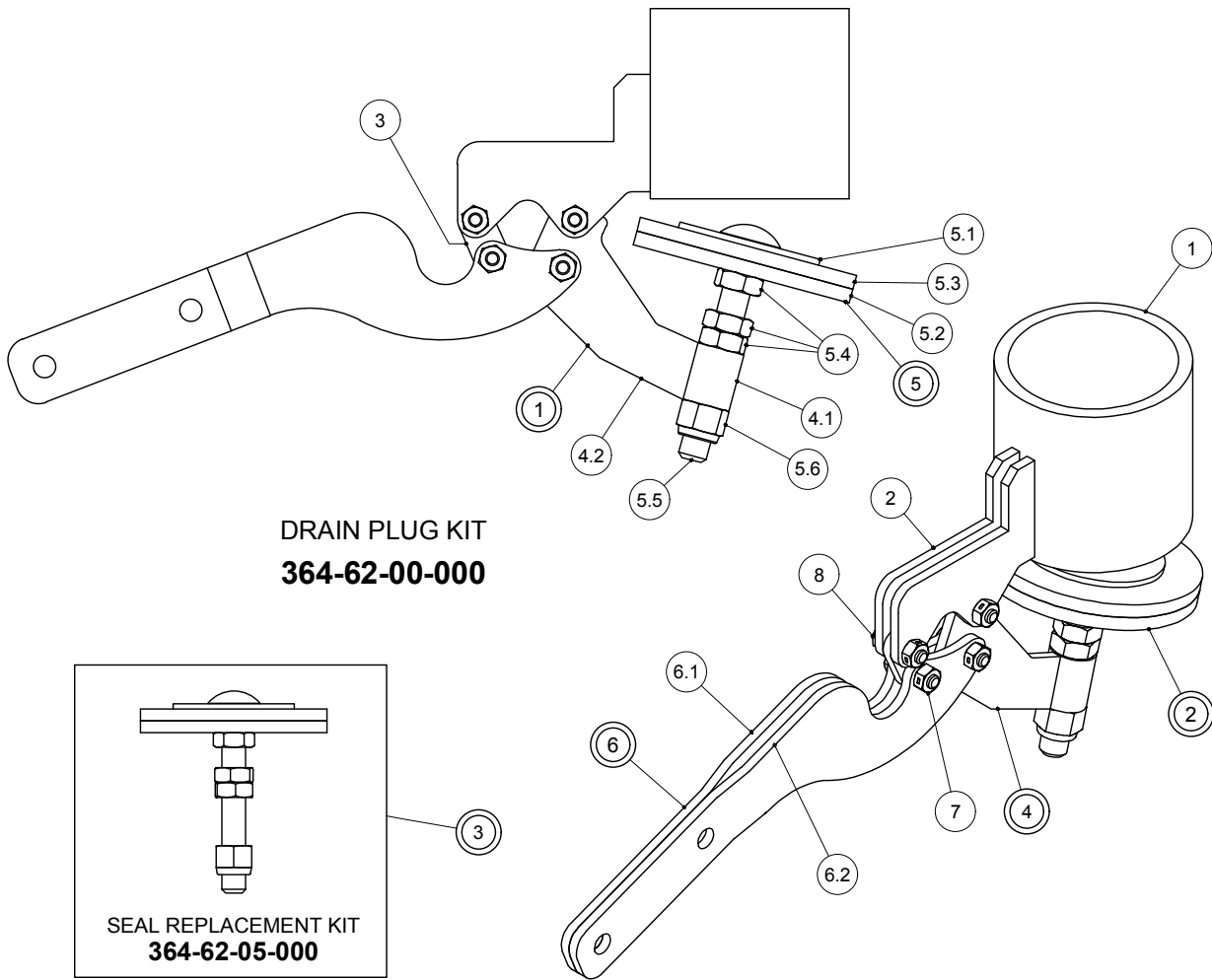
SWING AWAY HOUSING ASSY-CHT



**SWING AWAY HOUSING ASSY-CHT
384-20-01-000**

| PARTS LIST | | | |
|------------|---------------|--------------------------------|-----|
| ITEM | PART NUMBER | DESCRIPTION | QTY |
| 1 | 384-20-01-289 | HOUSING FLANGE | 1 |
| 2 | 364-01-03-376 | DISCHARGE RING | 1 |
| 3 | 364-62-00-000 | DRAIN PLUG KIT | 1 |
| 4 | 384-20-01-290 | DOOR HINGE | 2 |
| 5 | 357-48-01-232 | CHT HOUSING BAND | 1 |
| 6 | 357-48-01-231 | CHT HOUSING BAND AID | 1 |
| 7 | 357-48-01-230 | CHT FAN HOUSING VERTICAL PC | 1 |
| 8 | 357-48-02-000 | CHT HOUSING INLET FLANGE ASSY | 1 |
| 8.1 | 364-81-02-393 | HOUSING FLANGE | 1 |
| 8.2 | 357-48-02-233 | CHT INLET EXTENSION | 2 |
| 9 | 384-20-01-424 | SHORT HOUSING LUG | 2 |
| 10 | 384-20-01-423 | HOUSING LUG | 6 |
| 11 | 357-48-01-228 | CHT HOUSING BACK PLATE | 1 |
| 12 | R08443 | EYE BOLT PIN | 4 |
| 13 | R08207 | 5/32 x 1 1/2 COTTER PIN - SS | 4 |
| 14 | R08442 | 3/4" EYE BOLT | 4 |
| 15 | 376-02-00-577 | MANWAY WASHER | 4 |
| 16 | R07800 | 3/4-10 UNC COUPLING NUT - ZINC | 4 |

DRAIN PLUG KIT



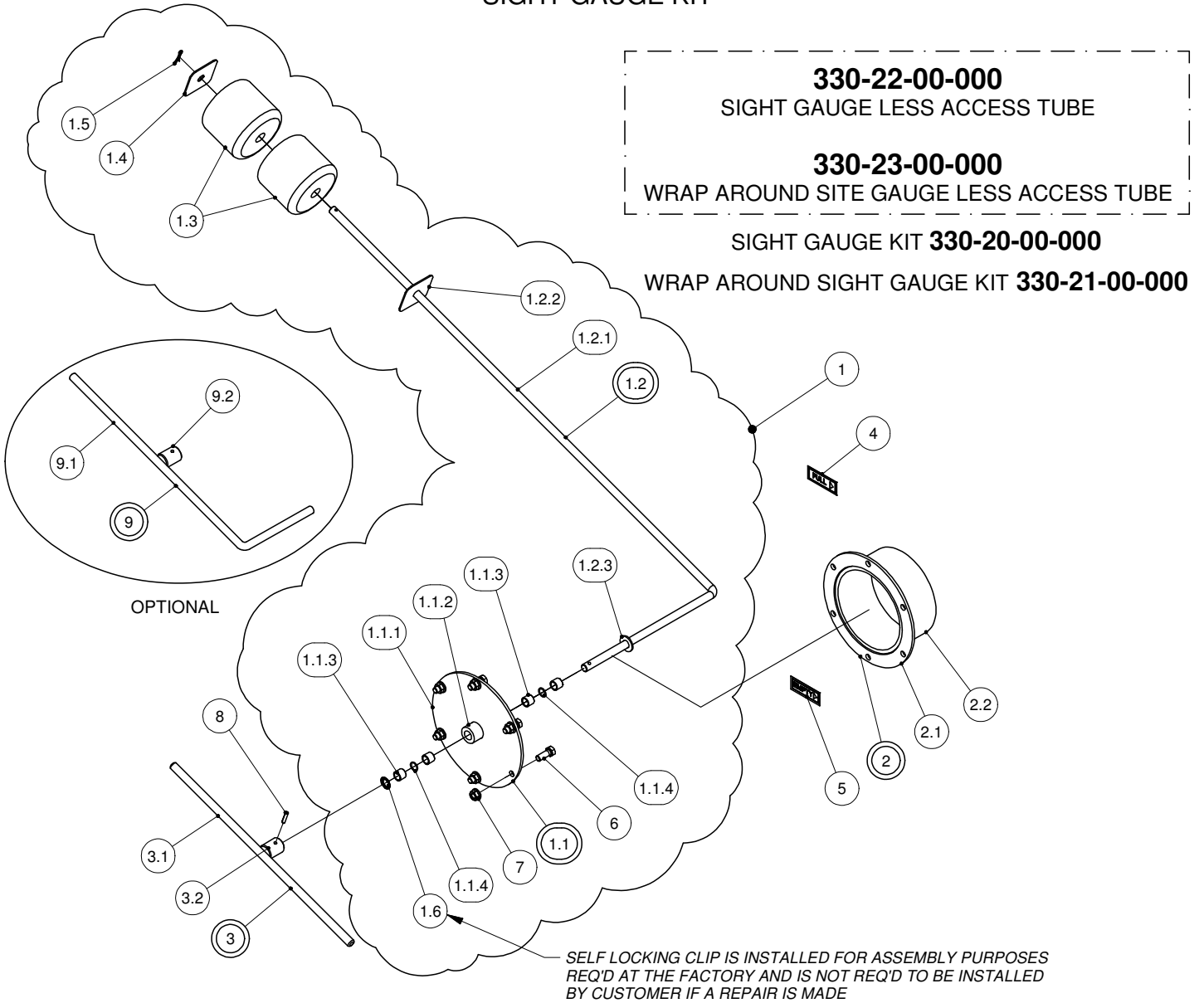
**DRAIN PLUG KIT
364-62-00-000**

**SEAL REPLACEMENT KIT
364-62-05-000**

PARTS LIST

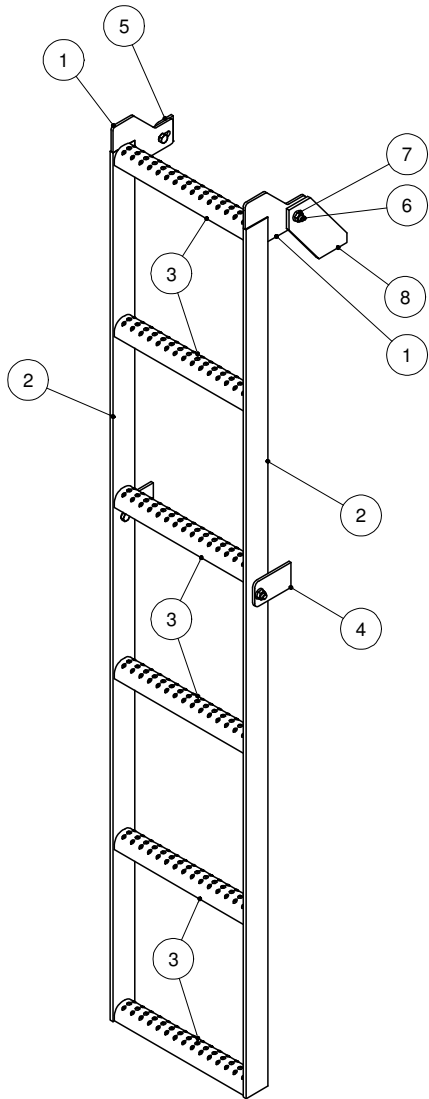
| ITEM | PART NUMBER | DESCRIPTION | QTY |
|------|---------------|-----------------------------------------------|-----|
| 1 | 364-01-03-110 | DRAIN PIPE | 1 |
| 2 | 364-62-00-199 | PLUG HOUSING BRKT | 2 |
| 3 | 364-62-00-205 | SHORT LINKAGE | 1 |
| 4 | 364-62-01-000 | DRAIN PLUG SLEEVE ASSY | 1 |
| 4.1 | 364-62-01-201 | SLEEVE | 1 |
| 4.2 | 364-62-01-200 | SLEEVE LINKAGE | 1 |
| 5 | 364-62-05-000 | DRAIN PLUG REPLACEMENT KIT | 1 |
| 5.1 | 364-62-04-370 | PLUG WASHER | 1 |
| 5.2 | 364-62-02-203 | PLUG PLATE | 1 |
| 5.3 | R03071 | DRAIN PLUG GASKET | 1 |
| 5.4 | R08046 | 1/2-13 UNC HEX JAM NUT - ZINC | 3 |
| 5.5 | R07748 | 1/2-13 UNC x 4 FULL THREAD CARRIAGE BOLT Gr.5 | 1 |
| 5.6 | R08219 | 1/2-13 UNC NYLOCK NUT - ZINC | 1 |
| 6 | 364-62-03-000 | HANDLE ASSY | 1 |
| 6.1 | 364-62-03-206 | LH HANDLE | 1 |
| 6.2 | 364-62-03-207 | RH HANDLE | 1 |
| 7 | R08048 | 1/4-20 UNC 2-WAY LOCK NUT - ZINC | 4 |
| 8 | R08176 | 1/4 x 7/8 UNC SHOLDER HEX BOLT | 4 |

SIGHT GAUGE KIT

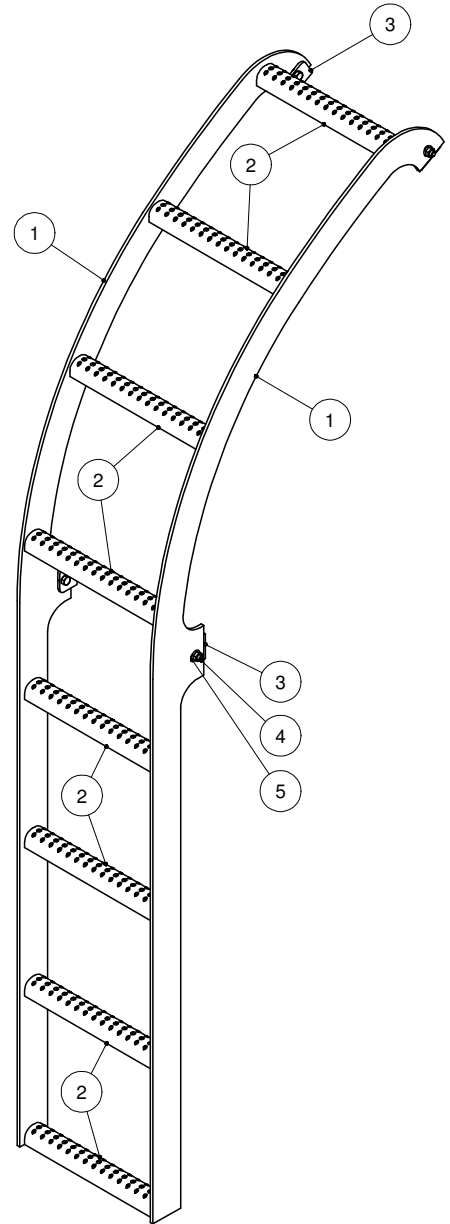


| PARTS LIST | | | | PARTS LIST | | | |
|------------|---------------|---------------------------------|-----|------------|---------------|------------------------------|-----|
| ITEM | PART NUMBER | DESCRIPTION | QTY | ITEM | PART NUMBER | DESCRIPTION | QTY |
| 1 | 330-22-01-000 | SIGHT GAUGE w/o INDICATOR | 1 | 2 | 330-20-03-000 | ACCESS TUBE ASSY | 1 |
| 1.1 | 330-20-04-000 | COVER PLATE ASSY | 1 | 2.1 | 330-20-03-560 | ACCESS TUBE FLANGE | 1 |
| 1.1.1 | 330-20-00-557 | COVER PLATE | 1 | 2.2 | 330-20-03-556 | ACCESS TUBE | 1 |
| 1.1.2 | 330-20-04-562 | BUSHING HOLDER | 1 | 3 | 330-20-02-000 | INDICATOR ARM ASSY | 1 |
| 1.1.3 | R21173 | 1/2 x 5/8 x 1/2" BRONZE BUSHING | 4 | 3.1 | 330-20-02-554 | INDICATOR ARM | 1 |
| 1.1.4 | R20865 | O-RING #11-014 | 2 | 3.2 | 330-20-02-553 | INDICATOR ARM HUB | 1 |
| 1.2 | 330-20-01-000 | FLOAT ARM ASSY | 1 | 4 | R09529 | "FULL" DECAL | 1 |
| 1.2.1 | 330-20-01-551 | FLOAT ARM | 1 | 5 | R09530 | "EMPTY" DECAL | 1 |
| 1.2.2 | 330-20-01-552 | FLOAT STRAPS | 1 | 6 | R07619 | 3/8-16 UNC x 1 HEX BOLT GR.5 | 6 |
| 1.2.3 | R08222 | 1/2 FLAT WASHER SAE - SS | 1 | 7 | R07794 | 3/8-16 UNC FLANGE NUT - ZINC | 6 |
| 1.3 | R09524 | FLOAT | 2 | 8 | R08241 | 3/16 x 1 ROLL PIN - SS | 1 |
| 1.4 | 330-20-01-552 | FLOAT STRAPS | 1 | 9 | 330-21-01-000 | WRAP AROUND SITE ARM ASSY | 1 |
| 1.5 | R08021 | 1/8 x 1 S.S. COTTER PIN | 1 | 9.1 | 330-19-46-546 | WRAP AROUND SITE ARM | 1 |
| 1.6 | R08514 | 1/2" EXT. RETAINING RING | 1 | 9.2 | 330-20-02-553 | INDICATOR ARM HUB | 1 |

LADDER KIT



LADDER KIT
364-95-00-000

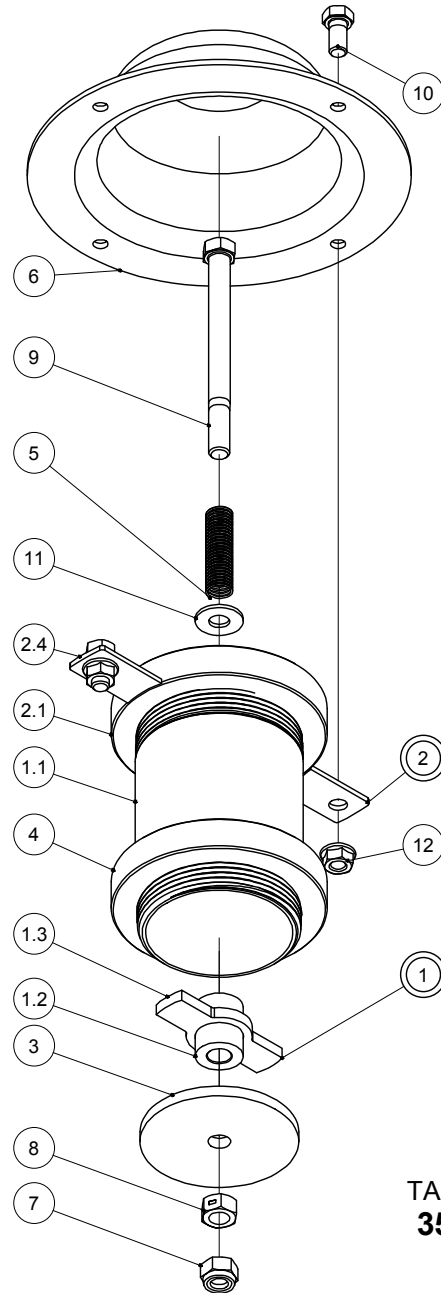


SIDE LADDER KIT
15000L PROFILE
385-39-00-000

| PARTS LIST | | | |
|------------|---------------|------------------------------|-----|
| ITEM | PART NUMBER | DESCRIPTION | QTY |
| 1 | 364-95-00-326 | LADDER LUG | 2 |
| 2 | 364-95-00-325 | LADDER SIDE PC | 2 |
| 3 | 364-95-00-324 | LADDER RUNG | 6 |
| 4 | 364-00-00-414 | TANK LUG | 2 |
| 5 | 364-95-00-327 | UPPER TANK LUG | 2 |
| 6 | R07619 | 3/8-16 UNC x 1 HEX BOLT GR.5 | 4 |
| 7 | R07794 | 3/8-16 UNC FLANGE NUT - ZINC | 4 |
| 8 | 384-00-00-216 | LADDER BRKT | 1 |

| PARTS LIST | | | |
|------------|---------------|------------------------------|-----|
| ITEM | PART NUMBER | DESCRIPTION | QTY |
| 1 | 385-39-00-582 | 15000 PROFILE SIDE LADDER PC | 2 |
| 2 | 364-95-00-324 | LADDER RUNG | 8 |
| 3 | 364-95-00-327 | UPPER TANK LUG | 4 |
| 4 | R07619 | 3/8-16 UNC x 1 HEX BOLT GR.5 | 4 |
| 5 | R07794 | 3/8-16 UNC FLANGE NUT - ZINC | 4 |

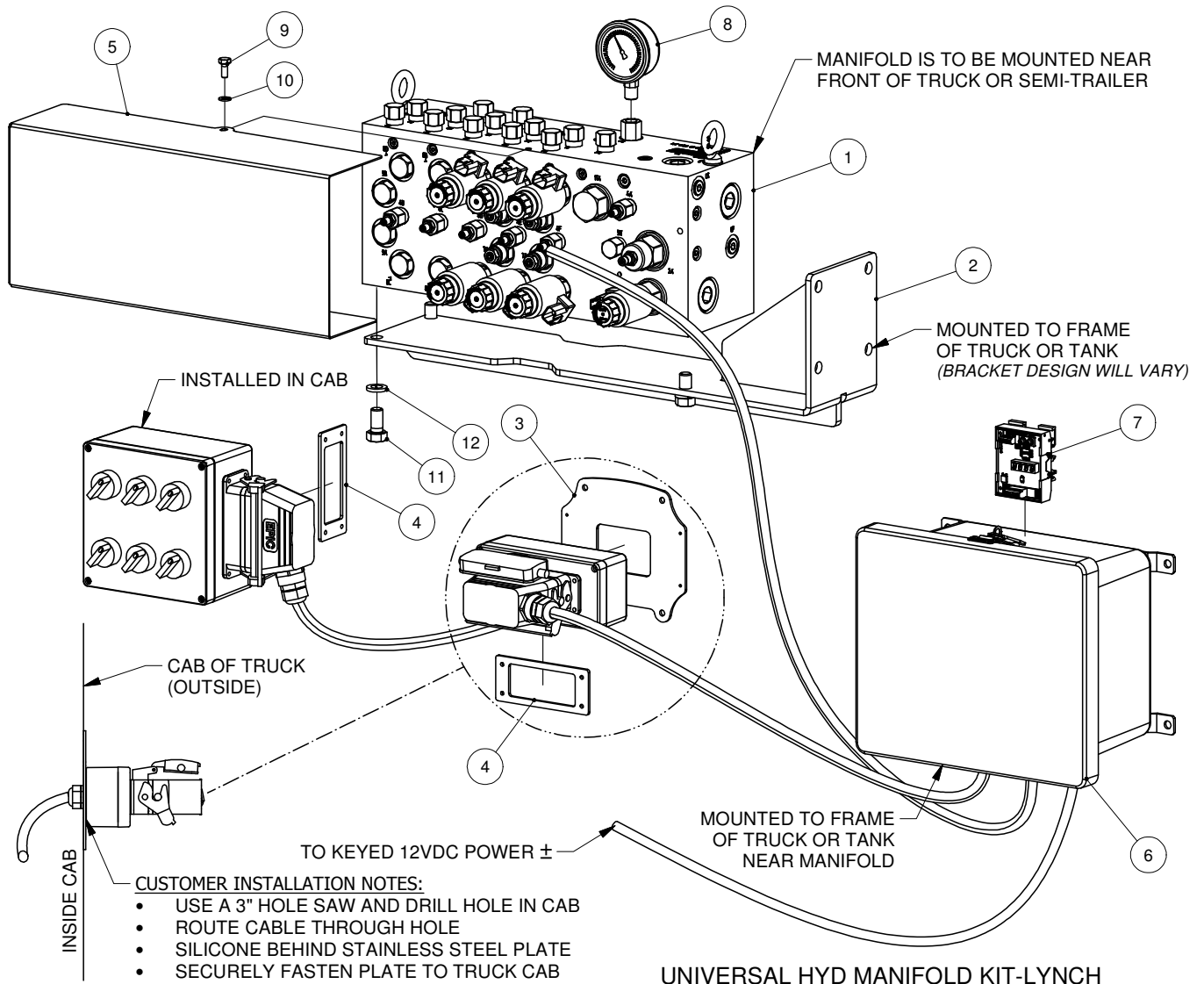
TANK VENT KIT-1



TANK VENT KIT-1
357-73-00-000
(OPTIONAL)

| PARTS LIST | | | | PARTS LIST | | | |
|------------|---------------|--------------------------------|-----|------------|---------------|-----------------------------------|-----|
| ITEM | PART NUMBER | DESCRIPTION | QTY | ITEM | PART NUMBER | DESCRIPTION | QTY |
| 1 | 357-73-01-000 | VENT HSG | 1 | 5 | 357-51-00-249 | SPRING | 1 |
| 1.1 | R03015 | 3" x 6" TBE SCH 40 PIPE NIPPLE | 1 | 6 | R22041 | DUST CAP - 25000LB HUB | 1 |
| 1.2 | 357-73-02-368 | BOLT SLEEVE | 1 | 7 | R08178 | 7/16-14 UNC NYLOCK NUT - ZINC | 1 |
| 1.3 | 357-73-02-367 | STRAP | 1 | 8 | R07891 | 7/16-14 UNC 2-WAY LOCK NUT - ZINC | 1 |
| 2 | 357-73-02-000 | VENT NUT ASSY | 1 | 9 | R07635 | 7/16-14 UNC x 5 HEX BOLT GR.5 | 1 |
| 2.1 | 357-73-02-365 | STRAIGHT THD PIPE NUT | 1 | 10 | R07688 | 3/8-16 UNC x 0.75 HEX BOLT GR.5 | 2 |
| 2.4 | 357-73-02-366 | CAP MTG BRKT | 2 | 11 | R07823 | 3/8 FLAT WASHER STD - ZINC | 1 |
| 3 | R03066 | UHMW VENT PLUG | 1 | 12 | R07794 | 3/8-16 UNC FLANGE NUT - ZINC | 2 |
| 4 | 357-73-02-365 | STRAIGHT THD PIPE NUT | 1 | | | | |

UNIVERSAL HYD MANIFOLD KIT-LYNCH



UNIVERSAL HYD MANIFOLD KIT-LYNCH 385-37-00-000

NOTES:

THIS SETUP IS FOR 4 HYDRAULIC FUNCTIONS, TO ADD ADDITIONAL FUNCTIONS ADD THE FOLLOWING:

5 FUNCTIONS:

- 2pc - R23509 - SUN DIRECTIONAL SPOOL VALVE 3W/2P
- 2pc - R23510 - SUN COIL-14VDC DEUTSCH 2-PIN

6 FUNCTIONS:

- 4pc - R23509 - SUN DIRECTIONAL SPOOL VALVE 3W/2P
- 4pc - R23510 - SUN COIL-14VDC DEUTSCH 2-PIN

*IF COUNTERBALANCE VALVE IS NEEDED R23334(x2)
CAN BE USE IN PLACE OF P/O CHECK VALVE (COMMON CAVITY)*

5 FUNCTIONS w/ P/O CHECK VALVE ON FUNCTION 6 (AUX):

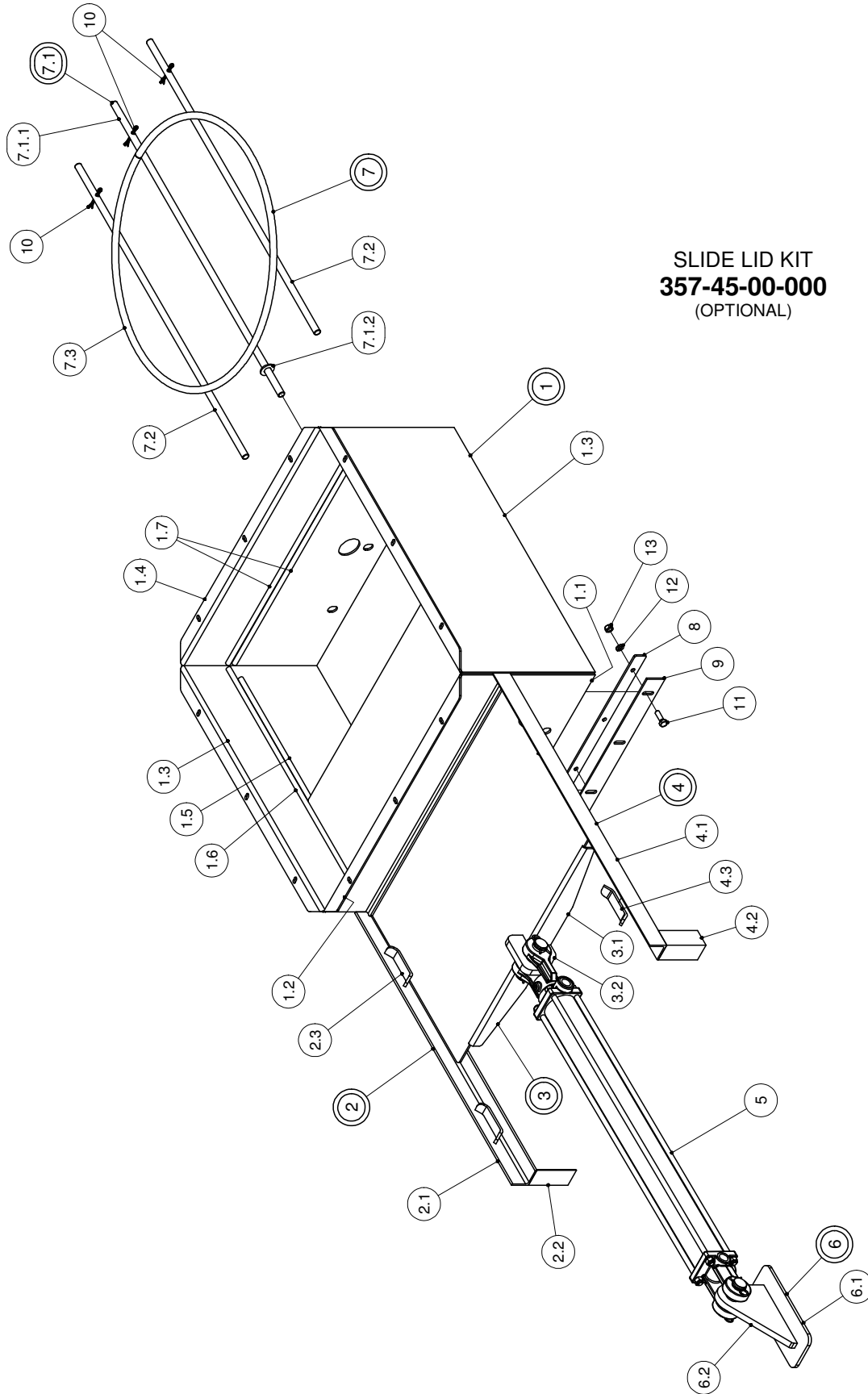
- 2pc - R23509 - SUN DIRECTIONAL SPOOL VALVE 3W/2P
- 2pc - R23510 - SUN COIL-14VDC DEUTSCH 2-PIN
- 2pc - R23511 - SUN P/O CHECK VALVE CARTRIDGE

6 FUNCTIONS w/ P/O CHECK VALVE ON FUNCTION 6 (AUX):

- 4pc - R23509 - SUN DIRECTIONAL SPOOL VALVE 3W/2P
- 4pc - R23510 - SUN COIL-14VDC DEUTSCH 2-PIN
- 4pc - R23511 - SUN P/O CHECK VALVE CARTRIDGE

| PARTS LIST | | | | PARTS LIST | | | |
|------------|---------------|-----------------------------------|-----|------------|-------------|-----------------------------------|-----|
| ITEM | PART NUMBER | DESCRIPTION | QTY | ITEM | PART NUMBER | DESCRIPTION | QTY |
| 1 | R23504 | UNIVERSAL TRUCK MANIFOLD-LYNCH | 1 | 7 | R23508 | DIN RAIL MOUNT DRIVER-LYNCH | 1 |
| 2 | 385-37-01-000 | MANIFOLD MOUNT ASSY-LYNCH | 1 | 8 | R21251 | 2-1/2" SS PRESSURE GAUGE 3000 PSI | 1 |
| 3 | 385-37-00-632 | JUNCTION BOX TO CAB PLATE | 1 | 9 | R08233 | 1/4-20 UNC x 0.625 HEX BOLT SS | 2 |
| 4 | 385-37-00-633 | BULKHEAD REINFORCING PLATE | 2 | 10 | R08234 | 1/4 LOCK WASHER - SS | 2 |
| 5 | 385-37-00-634 | LYNCH MANIFOLD COVER | 1 | 11 | R07637 | 1/2-13 UNC x 1 HEX BOLT GR.5 | 4 |
| 6 | R23353 | UNIVERSAL MANIFOLD CNTL BOX-LYNCH | 1 | 12 | R07805 | 1/2 LOCK WASHER - ZINC | 4 |

SLIDE LID KIT



SLIDE LID KIT
357-45-00-000
(OPTIONAL)

SLIDE LID KIT

| PARTS LIST | | | |
|------------|---------------|--------------------------------|-----|
| ITEM | PART NUMBER | DESCRIPTION | QTY |
| 1 | 357-45-01-000 | 24" SLIDE LID ASSY | 1 |
| 1.1 | 357-45-01-204 | SLIDE LID FRONT LOWER PANEL | 1 |
| 1.2 | 357-45-01-205 | SLIDE LID FRONT UPPER PANEL | 1 |
| 1.3 | 357-45-01-202 | 24" SLIDE LID SIDE | 2 |
| 1.4 | 357-45-01-203 | SLIDE LID REAR PANEL | 1 |
| 1.5 | 357-45-01-257 | SIDE LOWER GUIDE BARS | 2 |
| 1.6 | 357-45-01-206 | SIDE UPPER GUIDE BARS | 2 |
| 1.7 | 357-45-01-207 | REAR GUIDE BAR | 2 |
| 2 | 357-45-02-000 | RH SLIDE RAIL ASSY | 1 |
| 2.1 | 357-45-02-209 | SLIDE RAIL | 1 |
| 2.2 | 357-45-02-210 | SLIDE RAIL LEG | 1 |
| 2.3 | 357-45-02-208 | LOWER GUIDE | 2 |
| 3 | 357-45-03-000 | 24" LID ASSY - HYD | 1 |
| | 357-45-05-000 | 24" LID ASSY - AIR | 1 |
| 3.1 | 357-45-03-213 | 24" SLIDE LID | 1 |
| 3.2 | 357-45-03-214 | SLIDE LID LUG | 1 |
| | 357-45-05-242 | SLIDE LID LUG - AIR | * |
| 4 | 357-45-04-000 | LH SLIDE RAIL ASSY | 1 |
| 4.1 | 357-45-02-209 | SLIDE RAIL | 1 |
| 4.2 | 357-45-02-210 | SLIDE RAIL LEG | 1 |
| 4.3 | 357-45-02-208 | LOWER GUIDE | 2 |
| 5 | R23274 | 20TH24 HYD CYL-ORB | 1 |
| | | AIR CYLINDER | * |
| 6 | 357-45-07-000 | TANK LUG ASSY FOR HYD CYLINDER | 1 |
| | 357-45-06-000 | TANK LUG ASSY FOR AIR CYLINDER | 1 |
| 6.1 | 368-54-02-425 | CYLINDER BRKT BASE PLATE | 1 |
| 6.2 | 357-45-07-254 | TANK LUG FOR HYD CYLINDER | 1 |
| | 357-45-06-243 | TANK LUG FOR AIR CYLINDER | * |
| 7 | 357-45-09-000 | SAFETY GRATE ASSY | 1 |
| 7.1 | 357-45-08-000 | SAFETY BAR ASSY | 1 |
| 7.1.1 | 357-45-08-274 | SAFETY BAR | 1 |
| 7.1.2 | R08222 | 1/2 FLAT WASHER SAE - SS | 1 |
| 7.2 | 357-45-08-274 | SAFETY BAR | 2 |
| 7.3 | 357-45-09-314 | SAFETY RING | 1 |
| 8 | 357-45-00-211 | SLIDE LID RUBBER STRAP | 1 |
| 9 | 357-45-00-212 | RUBBER | 1 |
| 10 | R08207 | 5/32 x 1 1/2 COTTER PIN - SS | 3 |
| 11 | R07611 | 5/16-18 UNC x 1 HEX BOLT GR.5 | 5 |
| 12 | R07802 | 5/16 LOCK WASHER - ZINC | 5 |
| 13 | R07782 | 5/16-18 UNC HEX NUT - ZINC | 5 |

TRUCK MOUNT LIGHTS & EXTRAS



Ø2 1/2" GROMMET
& PLUG
R10355

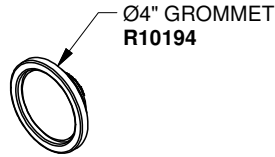


Ø2 1/2" RED **LED**
CLEARANCE LIGHT
R10586

Ø2 1/2" YELLOW **LED**
CLEARANCE LIGHT
R10585

Ø2 1/2" RED
CLEARANCE LIGHT
R10353

Ø2 1/2" AMBER
CLEARANCE LIGHT
R10354



Ø4" RED **LED** LIGHT KIT
R10358

Ø4" YELLOW **LED** LIGHT KIT
R10588

Ø4" CLEAR **LED** BACKUP
LIGHT KIT
R10587

Ø4" RED LIGHT KIT
R10087

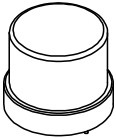
Ø4" BACKUP LIGHT KIT
R10088

Ø4" AMBER w/ CLEAR BACK
R10347



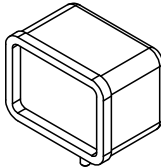
RED CLEARANCE LIGHT
R10089

AMBER CLEARANCE LIGHT
R10090



AMBER **LED** STROBE BEACON LIGHT
R10598

AMBER STROBE BEACON LIGHT
R10337

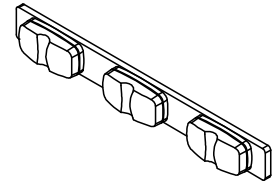


LED WORK LIGHT
R10340

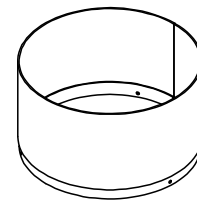
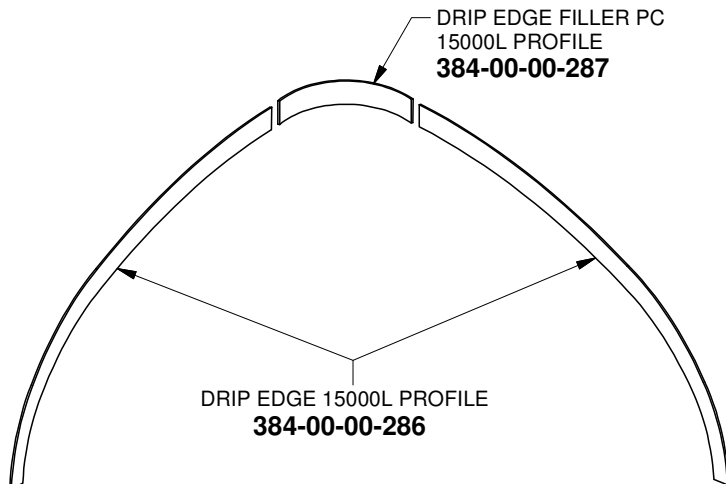
TRACTOR SPOT LIGHT
R10092



LICENSE LAMP
R10093

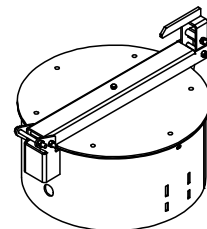


CLEARANCE LIGHT CLUSTER
R10091



12" FILLHOLE EXTENSION
408-20-00-000

6" FILLHOLE EXTENSION
358-16-00-000



24" OVER CENTRE HATCH KIT
384-10-00-000

This Page is Intentionally Left Blank

GUARANTEE

All Husky Farm Equipment manufactured by Husky Farm Equipment Limited is guaranteed. Guarantee covers all the replacement cost or repair of all parts said to be defective from manufacture. Guarantee also covers labour installing said parts, if installed at Husky Manufacturing plant. Time and use is the essence of the guarantee. If equipment is used on a private property for an individual's use, guarantee will be in effect for twelve months from date of invoice. If equipment is used for commercial use to do custom work for money then guarantee will be in effect for three months only from date of invoice.

EXEMPTIONS FROM GUARANTEE

Cost of transportation of equipment to or from Husky Farm Equipment Limited either by customer or by Husky's service staff or cost of mail or public transportation is not covered. Tires and electric or hydraulic motors are covered by manufacturer's warranty and although Husky may assist to get warranty, Husky will not be responsible other than that allowed by manufacturer's warranty. Items subject to normal wear from use not covered by guarantee if faulty part is simply worn.